

# Red Book

AMC

Jeep

Chrysler

Kia

Dodge/Truck

Mitsubishi

Eagle

Plymouth

Hyundai

Miscellaneous





# Transmission Fluid Protection & Conversion Products



## MULTI-VEHICLE PROTECTANT/SUPPLEMENT PT#6900

- Smart Blend TITANIUM takes the guess work out of converting ATFs because it works in all Transmission types except Ford Type F and CVT applications.
- Prevents and instantly stops torque converter shudder
- Ensures and maintains proper shifts
- Dramatically reduces wear on internal components
- Prevents overheating, foaming and oxidation
- Extends frictional stability and fluid change intervals

## FULLY FORMULATED CVT FLUID PT#3100

- Suitable for use in ALL Continuously Variable Transmission (CVT) applications
- Optimized for excellent metal to metal friction performance
- Provides advanced wear protection, anti-shudder performance and oxidation stability
- Excellent low temperature fluidity for proper operation in cold weather conditions



## ATF PROTECTANT PT#4001

- Prevents & Instantly Eliminates Torque Converter Lock-Up Shudder
- Prevents Overheating and Oxidation
- Keeps Valves & Governors Free
- Protects and Coats Gears & Pumps
- Extends Fluid Life

### Also Available in a 2-Step Clean & Protect Kit PT#43005



## HIGHLY FRICTION MODIFIED (HFM) SUPPLEMENT PT#6001

- Eliminates the Need for Multiple OEM Fluids
- Big Profit Increase, Saves Money \$\$\$
- Prevents Overheating & Fluid Oxidation
- Keeps Valves & Governors Free
- Softens Hard Shifting & Extends Fluid Life
- Prevents Torque Converter Lock Up Shudder



## FLUID FLUSH PT#4200

- Safely Removes Light Varnish and Other Deposits
- Prepares Transmission for New Fluid
- Cleans All Internal Transmission Components
- Contains No Alcohol or Damaging Chemicals (Totally Safe)

## M-V SUPPLEMENT PT#6500

- Converts Dexron III®/Mercon® Automatic Transmission Fluid (ATF) into a Mercon V® Type Fluid.
- Saves Time & Money, Eliminates the Need to Stock Mercon V® Fluid.
- Prevents Torque Converter Lock-Up Shudder.
- Improves Low Temperature Shifting.
- Extends Frictional Stability and Life of the Fluid.



## SHUDDER ELIMINATOR PT#3800

- Instantly Eliminates Torque Converter Shudder
- Restores Key Friction Modifiers Lost Due to Heat and Excessive Mileage



## D-VI SUPPLEMENT PT#6700

- Converts Dexron III®/Mercon® Automatic Transmission Fluid (ATF) into a Highly Stable Fluid such as DEXRON VI®.
- Saves Time & Money. Only Need to Stock Dexron III®/Mercon® Fluid
- STOPS Torque Converter Shudder Instantly
- Extends Frictional Stability and Fluid Life.
- Creates Longer Service Intervals.
- Softens Hard Shifts.



| TRANSMISSION                       | TYPE       |         | SERIES              | PAGE |
|------------------------------------|------------|---------|---------------------|------|
| A404•A413•A470•A670                | 3 SPD      | FWD     | 48000               | 2    |
| A604•40TE•41AE                     | 4 SPD      | FWD/AWD | 49000/A             | 8    |
| A606                               | 4 SPD      | FWD/AWD | 49000E              | 14   |
| 62TE                               | 6 SPD      | FWD/AWD | 20161-              | 20   |
| JF011E                             | CVT        | AWD     | 82230-              | 26   |
| KM170•F3A21•2                      | 3 SPD      | FWD     | 63000               | 30   |
| KM175•F4A21•22•23                  | 4 SPD      | FWD     | 63000D/E            | 34   |
| F4A33-1•W4A32-1•33-1               | 4 SPD      | FWD/AWD | 63000M/P            | 38   |
| F4A41•42•51•F4A4B•W4A42•W4A51      | 4 SPD      | FWD/AWD | 63000H/J            | 42   |
| F5A51•W5A51•F5A5A                  | 5 SPD      | FWD/AWD | 63000K              | 50   |
| ZF4HP18-FL•FLA•FLE                 | 4 SPD      | FWD     | 83000               | 56   |
| MB-1•MJ3                           | 3 SPD      | FWD     | 71000               | 60   |
| AR-4                               | 4 SPD      | FWD     | 96000               | 62   |
| 4EAT-F•F4A-EL•IF4E-F4E-111         | 4 SPD      | FWD     | 85000/B             | 64   |
| A4AF1•A4AF2•A4BF1•F4A32            | 4 SPD      | FWD     | 63000F              | 68   |
| A4AF3•A4BF2•A4BF3                  | 4 SPD      | FWD     | 63000Q              | 74   |
| JF506E•JA5A-EL•RE5F01A             | 5 SPD      | FWD/AWD | 75221-              | 80   |
| A4CF1•2                            | 4 SPD      | FWD     | 65213-              | 86   |
| A5GF1                              | 5 SPD      | FWD     | 72214-              | 88   |
| A5HF1                              | 5 SPD      | FWD     | 65215-              | 94   |
| F1C1                               | CVT        | FWD/AWD | 80271-              | 100  |
| TF-81SC•AF21•AW6A-EL•AM6           | 6 SPD      | FWD/AWD | 75250-              | 102  |
| A904•A998•A999•TF-6                | 3 SPD      | RWD/4X4 | 12000/H             | 108  |
| A500•42RE•44RE                     | 4 SPD      | RWD/4x4 | 12000J              | 114  |
| A727•TF8                           | 3 SPD      | RWD/4x4 | 22000/E             | 120  |
| A518•A618•48RE                     | 4 SPD      | RWD/4x4 | 22000F/H            | 126  |
| 45RFE•5-45RFE                      | 4/5 SPD    | RWD/AWD | 20000               | 136  |
| 42RLE                              | 4 SPD      | RWD/4x4 | 20162-              | 142  |
| 722.6•W5A580•W5A330                | 5 SPD      | RWD/AWD | 78223-              | 148  |
| 68RFE                              | 6 SPD      | RWD/AWD | 20163-              | 156  |
| AS68RC•DG3-Aisin                   | 6 SPD      | 2WD/4WD | 20262-              | 162  |
| 2ML70•2-MODE•AHS-T                 | EVT/4FIXED | 2WD/4WD | 10253-              | 166  |
| A340•A341E•A343E•A350•AW30-40LE    | 4 SPD      | RWD/4x4 | 54000/J/X/W         | 168  |
| AW4•AW30-40LE•A340                 | 4 SPD      | RWD/4x4 | 54000D              | 174  |
| A40•41•42•AW70•71•A44D•DL•DE•A46DE | 3/4 SPD    | RWD/4x4 | 46000/A/D/E/F/G/J/K | 180  |
| L3N71B•L4N71B•N4AEL                | 3/4 SPD    | RWD     | 45000/A/B/C         | 184  |
| BW35•T35•BW35TB•37TB•BW65•66       | 3 SPD      | RWD     | 19000/47000/58000   | 190  |
| FMX•CW•BW8•BW12•R12                | 3 SPD      | RWD     | 600M/N/V/W          | 194  |
| TH400•3L80•375•425                 | 3 SPD      | RWD/4x4 | 34000D/B            | 198  |
| JR403E•RG4R01A                     | 4 SPD      | RWD     | 33000               | 204  |
| R4A51•V4A51                        | 4 SPD      | RWD/4x4 | 39000               | 208  |
| R5A51•V5A51                        | 5 SPD      | RWD/4x4 | 39000A              | 214  |
| ZF6HP26                            | 6 SPD      | RWD     | 45158-              | 220  |
| RE5R05A•A5SR2•JR507E               | 5 SPD      | RWD/AWD | 68217-              | 226  |
| NOTES                              |            |         |                     |      |
|                                    |            |         |                     |      |
|                                    |            |         |                     |      |
|                                    |            |         |                     |      |
|                                    |            |         |                     |      |
|                                    |            |         |                     |      |
|                                    |            |         |                     |      |
|                                    |            |         |                     |      |
|                                    |            |         |                     |      |
|                                    |            |         |                     |      |
|                                    |            |         |                     |      |
|                                    |            |         |                     |      |

# VEHICLE TO TRANSMISSION INDEX

INDEX

| MODEL NAME                                | ENGINE                   | YEAR  | TRANSMISSION                 | PAGE |
|---|--------------------------|-------|------------------------------|------|
| <b>AMERICAN MOTORS CORPORATIONS (AMC)</b> |                          |       |                              |      |
| Alliance                                  | n/a                      | 83-87 | MB-1•MJ3                     | 60   |
| Ambassador                                | various                  | 63-71 | BW35•T35•BW35TB•37TB•BW65•66 | 190  |
| Ambassador                                | n/a                      | 72-74 | A904•A998•A999•TF-6          | 108  |
| Ambassador                                | n/a                      | 72-74 | A727•TF8                     | 120  |
| AMC                                       | n/a                      | 57-62 | FMX•CW•BW8•BW12•R12          | 194  |
| American                                  | various                  | 64-68 | BW35•T35•BW35TB•37TB•BW65•66 | 190  |
| Classic                                   | various                  | 63-66 | BW35•T35•BW35TB•37TB•BW65•66 | 190  |
| Concord                                   | n/a                      | 78-83 | A904•A998•A999•TF-6          | 108  |
| Eagle                                     | n/a                      | 80-88 | A904•A998•A999•TF-6          | 108  |
| Encore                                    | n/a                      | 84-86 | MB-1•MJ3                     | 60   |
| Gremlin                                   | various                  | 70-71 | BW35•T35•BW35TB•37TB•BW65•66 | 190  |
| Gremlin                                   | n/a                      | 72-78 | A904•A998•A999•TF-6          | 108  |
| Hornet                                    | various                  | 70-71 | BW35•T35•BW35TB•37TB•BW65•66 | 190  |
| Hornet                                    | n/a                      | 73-77 | A904•A998•A999•TF-6          | 108  |
| Hornet                                    | n/a                      | 73-77 | A727•TF8                     | 120  |
| Javelin                                   | various                  | 68-71 | BW35•T35•BW35TB•37TB•BW65•66 | 190  |
| Javelin                                   | n/a                      | 72-74 | A904•A998•A999•TF-6          | 108  |
| Javelin                                   | n/a                      | 72-72 | A727•TF8                     | 120  |
| Marlin                                    | various                  | 65-67 | BW35•T35•BW35TB•37TB•BW65•66 | 190  |
| Marlin                                    | n/a                      | 65-67 | FMX•CW•BW8•BW12•R12          | 194  |
| Matador                                   | various                  | 71-71 | BW35•T35•BW35TB•37TB•BW65•66 | 190  |
| Matador                                   | n/a                      | 72-74 | A727•TF8                     | 120  |
| Matador                                   | n/a                      | 72-78 | A904•A998•A999•TF-6          | 108  |
| Medallion                                 | n/a                      | 88-89 | MB-1•MJ3                     | 60   |
| Pacer                                     | n/a                      | 75-80 | A904•A998•A999•TF-6          | 108  |
| Rambler                                   | various                  | 62-71 | BW35•T35•BW35TB•37TB•BW65•66 | 190  |
| Rebel                                     | various                  | 67-70 | BW35•T35•BW35TB•37TB•BW65•66 | 190  |
| Rogue                                     | various                  | 68-69 | BW35•T35•BW35TB•37TB•BW65•66 | 190  |
| Spirit                                    | n/a                      | 79-83 | A904•A998•A999•TF-6          | 108  |
| Studebaker                                | n/a                      | 51-71 | FMX•CW•BW8•BW12•R12          | 194  |
| Studebaker                                | various                  | 62-65 | BW35•T35•BW35TB•37TB•BW65•66 | 190  |
| <b>CHRYSLER</b>                           |                          |       |                              |      |
| 300                                       | V/6 2.7L/3.5L            | 05-10 | 42RLE                        | 142  |
| 300/300C                                  | V/6 3.5L V/8 5.7L/6.1L   | 05-10 | 722.6•W5A580•W5A330          | 148  |
| 300M                                      | V/6 3.5L                 | 99-04 | A606                         | 14   |
| Aspen                                     | V/8 4.7L/5.7L            | 07-09 | 45RFE•5-45RFE                | 136  |
| Aspen Hybrid                              | V/8 5.7L Hemi            | 09-09 | 2ML70•2-MODE•AHS-T           | 166  |
| Cirrus                                    | L/4 2.4L V/6 2.5L        | 95-00 | A604•40TE•41AE               | 8    |
| Concorde                                  | V/6 2.7L/3.2L/3.3L/3.5L  | 93-04 | A606                         | 14   |
| Conquest                                  | various                  | 87-89 | L3N71B•L4N71B•N4AEL          | 184  |
| Cordoba                                   | various                  | 75-83 | A727•TF8                     | 120  |
| Cordoba                                   | various                  | 75-83 | A904•A998•A999•TF-6          | 108  |
| Crossfire                                 | V/6 3.2L                 | 04-08 | 722.6•W5A580•W5A330          | 148  |
| Crossfire                                 | V/6 3.2L (super charged) | 05-06 | 722.6•W5A580•W5A330          | 148  |
| Executive                                 | various                  | 83-85 | A404•A413•A470•A670          | 2    |
| Fifth Avenue                              | various                  | 82-89 | A904•A998•A999•TF-6          | 108  |
| Fifth Avenue                              | various                  | 89-89 | A727•TF8                     | 120  |
| Fifth Avenue                              | various                  | 90-93 | A604•40TE•41AE               | 8    |
| Imperial                                  | various                  | 67-75 | A727•TF8                     | 120  |
| Imperial                                  | various                  | 81-83 | A727•TF8                     | 120  |
| Imperial                                  | various                  | 90-93 | A604•40TE•41AE               | 8    |
| La Baron GTS                              | various                  | 85-88 | A404•A413•A470•A670          | 2    |
| Laser                                     | various                  | 84-86 | A404•A413•A470•A670          | 2    |



# VEHICLE TO TRANSMISSION INDEX

INDEX

| MODEL NAME               | ENGINE                        | YEAR  | TRANSMISSION                  | PAGE |
|--------------------------|-------------------------------|-------|-------------------------------|------|
| LeBaron                  | various                       | 77-81 | A904•A998•A999•TF-6           | 108  |
| LeBaron                  | various                       | 78-81 | A727•TF8                      | 120  |
| LeBaron                  | various                       | 82-85 | A404•A413•A470•A670           | 2    |
| LeBaron                  | various                       | 82-92 | A404•A413•A470•A670           | 2    |
| LeBaron                  | various                       | 90-94 | A404•A413•A470•A670           | 2    |
| LeBaron                  | various                       | 90-95 | A604•40TE•41AE                | 8    |
| LHS                      | V/6 3.5L                      | 93-01 | A606                          | 14   |
| Neon                     | L/4 2.0L/2.5L                 | 95-01 | A404•A413•A470•A670           | 2    |
| New Yorker               | various                       | 78-82 | A904•A998•A999•TF-6           | 108  |
| New Yorker               | various                       | 81-81 | A727•TF8                      | 120  |
| New Yorker               | various                       | 83-88 | A404•A413•A470•A670           | 2    |
| New Yorker               | various                       | 83-84 | A404•A413•A470•A670           | 2    |
| New Yorker               | various                       | 88-88 | A404•A413•A470•A670           | 2    |
| New Yorker               | V/6 3.0L/3.3L                 | 89-93 | A604•40TE•41AE                | 8    |
| New Yorker               | V/6 3.5L                      | 94-96 | A606                          | 14   |
| Newport                  | various                       | 78-81 | A904•A998•A999•TF-6           | 108  |
| Newport                  | various                       | 81-81 | A727•TF8                      | 120  |
| P.T. Cruiser             | L/4 2.4L                      | 00-00 | A404•A413•A470•A670           | 2    |
| P.T. Cruiser             | L/4 2.0L/2.4L                 | 01-03 | A604•40TE•41AE                | 8    |
| P.T. Cruiser             | L/4 2.0L/2.4L                 | 04-08 | A604•40TE•41AE                | 8    |
| P.T. Cruiser             | L/4 2.4L                      | 04-08 | A604•40TE•41AE                | 8    |
| Pacifica                 | V/6 3.5L/3.8L                 | 04-08 | A604•40TE•41AE                | 8    |
| Pacifica                 | V/6 4.0L                      | 06-07 | 62TE                          | 20   |
| Sebring                  | L/4 2.0L/2.4L V/6 2.5L        | 95-00 | A604•40TE•41AE                | 8    |
| Sebring                  | L/4 2.0L/2.4L (DOHC) V/6 2.7L | 01-05 | A604•40TE•41AE                | 8    |
| Sebring                  | L/4 2.4L (SOHC)               | 01-05 | F4A41•42•51•F4A4B•W4A42•W4A51 | 42   |
| Sebring                  | V/6 3.0L                      | 01-05 | F4A41•42•51•F4A4B•W4A42•W4A51 | 42   |
| Sebring                  | L/4 2.0L/2.4L (DOHC)          | 04-07 | A604•40TE•41AE                | 8    |
| Sebring                  | L/4 2.4L (Turbo) V/6 2.7L     | 04-09 | A604•40TE•41AE                | 8    |
| Sebring                  | V/6 3.5L                      | 07-08 | 62TE                          | 20   |
| Town & Country Van       | various                       | 77-88 | A904•A998•A999•TF-6           | 108  |
| Town & Country Van       | various                       | 89-01 | A404•A413•A470•A670           | 2    |
| Town & Country Van       | V/6 3.3L/3.8L                 | 95-10 | A604•40TE•41AE                | 8    |
| Town & Country Van       | V/6 3.8L                      | 97-07 | A604•40TE•41AE                | 8    |
| Town & Country Van       | V/6 3.8L/4.0L                 | 07-11 | 62TE                          | 20   |
| Voyager                  | various                       | 01-03 | A404•A413•A470•A670           | 2    |
| Voyager                  | L/4 2.4L V/6 3.3L             | 01-03 | A604•40TE•41AE                | 8    |
| Voyager                  | V/6 3.8L/4.0L                 | 07-11 | 62TE                          | 20   |
| "E" class                | various                       | 83-84 | A404•A413•A470•A670           | 2    |
| <b>DODGE/DODGE TRUCK</b> |                               |       |                               |      |
| 024                      | various                       | 81-82 | A404•A413•A470•A670           | 2    |
| 2000 GTX                 | various                       | 89-94 | KM175•F4A21•22•23             | 34   |
| 2000 GTX                 | various                       | 92-94 | F4A33-1•W4A32-1•33-1          | 38   |
| 400                      | various                       | 82-83 | A404•A413•A470•A670           | 2    |
| 600                      | various                       | 83-88 | A404•A413•A470•A670           | 2    |
| Aries "K" Car            | various                       | 81-89 | A404•A413•A470•A670           | 2    |
| Aspen                    | various                       | 76-80 | A904•A998•A999•TF-6           | 108  |
| Aspen                    | various                       | 77-80 | A727•TF8                      | 120  |
| Avenger                  | L/4 2.0L V/6 2.5L             | 95-00 | A604•40TE•41AE                | 8    |
| Avenger                  | L/4 2.4L V/6 2.7L             | 08-10 | A604•40TE•41AE                | 8    |
| Avenger                  | V/6 4.0L                      | 08-10 | 62TE                          | 20   |
| Cab/Chassis              | various                       | 07-10 | AS68RC•DG3-Aisin              | 162  |
| Caliber                  | L/4 2.4L                      | 07-10 | JF011E                        | 26   |
| Caravan/Mini Ram Van     | L/4 2.4L/2.5L                 | 88-99 | A404•A413•A470•A670           | 2    |



# VEHICLE TO TRANSMISSION INDEX

INDEX

| MODEL NAME           | ENGINE                     | YEAR  | TRANSMISSION                       | PAGE |
|----------------------|----------------------------|-------|------------------------------------|------|
| Caravan/Mini Ram Van | V/6 3.0L                   | 88-95 | A404•A413•A470•A670                | 2    |
| Caravan/Mini Ram Van | L/4 2.4L/2.5L              | 90-07 | A604•40TE•41AE                     | 8    |
| Caravan/Mini Ram Van | V/6 3.0L/3.3L/3.8L         | 90-06 | A604•40TE•41AE                     | 8    |
| Challenger           | various                    | 70-72 | A904•A998•A999•TF-6                | 108  |
| Challenger           | various                    | 70-74 | A727•TF8                           | 120  |
| Challenger           | various                    | 80-83 | A904•A998•A999•TF-6                | 108  |
| Charger/STR          | various                    | 66-78 | A904•A998•A999•TF-6                | 108  |
| Charger/STR          | various                    | 66-78 | A727•TF8                           | 120  |
| Charger/STR          | V/6 3.5L V/8 5.7L V/8 6.1L | 05-10 | 722.6•W5A580•W5A330                | 148  |
| Charger/STR          | V/6 2.7L/3.5L              | 06-10 | 42RLE                              | 142  |
| Colt                 | L/4 1.5L                   | 79-81 | KM170•F3A21•2                      | 30   |
| Colt                 | L/4 1.5L                   | 81-84 | KM170•F3A21•2                      | 30   |
| Colt                 | L/4 1.6L                   | 83-84 | KM170•F3A21•2                      | 30   |
| Colt                 | L/4 1.5L                   | 85-88 | KM170•F3A21•2                      | 30   |
| Colt                 | L/4 1.6L                   | 85-88 | KM170•F3A21•2                      | 30   |
| Colt                 | L/4 1.5L                   | 89-97 | KM170•F3A21•2                      | 30   |
| Colt                 | L/4 1.6L                   | 89-90 | KM175•F4A21•22•23                  | 34   |
| Colt                 | L/4 1.5L                   | 91-92 | KM175•F4A21•22•23                  | 34   |
| Colt                 | L/4 1.8L/2.4L              | 92-94 | F4A33-1•W4A32-1•33-1               | 38   |
| Colt                 | L/4 1.8L                   | 93-97 | KM175•F4A21•22•23                  | 34   |
| Colt Vista           | L/4 2.0L                   | 84-89 | KM170•F3A21•2                      | 30   |
| Colt Vista           | L/4 1.5L                   | 89-92 | KM170•F3A21•2                      | 30   |
| Colt Vista           | L/4 1.8L                   | 92-94 | KM175•F4A21•22•23                  | 34   |
| Colt Vista           | L/4 2.4L                   | 92-94 | KM175•F4A21•22•23                  | 34   |
| Colt Vista           | L/4 1.8L/2.4L              | 92-94 | F4A33-1•W4A32-1•33-1               | 38   |
| Conquest             | various                    | 84-86 | L3N71B•L4N71B•N4AEL                | 184  |
| Coronet              | various                    | 74-76 | A727•TF8                           | 120  |
| Coronet              | various                    | 74-76 | A904•A998•A999•TF-6                | 108  |
| D50 Pickup           | various                    | 79-94 | A904•A998•A999•TF-6                | 108  |
| D50 Pickup           | L/4 2.4L V/6 3.0L          | 87-89 | A40•41•42•AW70•71•A44D•DL•DE•A46DE | 180  |
| D50 Pickup           | various                    | 90-94 | A500•42RE•44RE                     | 114  |
| Dakota               | various                    | 87-88 | A904•A998•A999•TF-6                | 108  |
| Dakota               | V/6 3.9L                   | 88-03 | A500•42RE•44RE                     | 114  |
| Dakota               | V/8 5.9L                   | 92-00 | A518•A618•48RE                     | 126  |
| Dakota               | V/6 4.7L                   | 00-02 | 45RFE•5-45RFE                      | 136  |
| Dakota               | V/8 4.7L                   | 03-10 | 45RFE•5-45RFE                      | 136  |
| Dakota               | V/6 3.7L                   | 04-10 | 42RLE                              | 142  |
| Dart                 | various                    | 66-76 | A904•A998•A999•TF-6                | 108  |
| Dart                 | various                    | 69-76 | A727•TF8                           | 120  |
| Daytona              | various                    | 84-92 | A404•A413•A470•A670                | 2    |
| Daytona              | various                    | 90-90 | A404•A413•A470•A670                | 2    |
| Daytona              | various                    | 90-93 | A604•40TE•41AE                     | 8    |
| Diplomat             | various                    | 77-89 | A904•A998•A999•TF-6                | 108  |
| Diplomat             | various                    | 78-89 | A727•TF8                           | 120  |
| Durango              | V/6 3.7L                   | 00-09 | 42RLE                              | 142  |
| Durango              | V/6 4.7L                   | 00-02 | 45RFE•5-45RFE                      | 136  |
| Durango              | V/6 3.9L                   | 00-03 | A500•42RE•44RE                     | 114  |
| Durango              | V/8 5.9L                   | 00-03 | A518•A618•48RE                     | 126  |
| Durango              | V/6 4.7L                   | 03-09 | 45RFE•5-45RFE                      | 136  |
| Durango Hybrid       | V/8 5.7L Hemi              | 09-09 | 2ML70•2-MODE•AHS-T                 | 166  |
| Dynasty              | various                    | 88-91 | A404•A413•A470•A670                | 2    |
| Dynasty              | various                    | 89-93 | A604•40TE•41AE                     | 8    |
| Grand Caravan        | various                    | 87-02 | A404•A413•A470•A670                | 2    |
| Grand Caravan        | various                    | 89-10 | A604•40TE•41AE                     | 8    |



# VEHICLE TO TRANSMISSION INDEX

| MODEL NAME        | ENGINE                    | YEAR  | TRANSMISSION                       | PAGE |
|-------------------|---------------------------|-------|------------------------------------|------|
| Grand Caravan     | V/6 3.8L/4.0L             | 08-10 | 62TE                               | 20   |
| Intrepid          | V/6 2.7L/3.2L/3.3L/3.5L   | 93-04 | A606                               | 14   |
| Journey           | L/4 2.4L                  | 09-10 | A604•40TE•41AE                     | 8    |
| Journey           | V/6 3.5L                  | 09-10 | 62TE                               | 20   |
| Lancer            | various                   | 85-89 | A404•A413•A470•A670                | 2    |
| Magnum            | various                   | 78-78 | A727•TF8                           | 120  |
| Magnum            | various                   | 78-79 | A904•A998•A999•TF-6                | 108  |
| Magnum R/T        | V/8 5.7L                  | 05-09 | 722.6•W5A580•W5A330                | 148  |
| Magnum SE/SXT     | V/6 2.7L/3.5L             | 05-08 | 42RLE                              | 142  |
| Magnum SRT-8      | V/8 6.1L                  | 06-09 | 722.6•W5A580•W5A330                | 148  |
| Magnum SXT        | V/6 3.5L                  | 05-09 | 722.6•W5A580•W5A330                | 148  |
| Mirada            | various                   | 80-83 | A727•TF8                           | 120  |
| Mirada            | various                   | 80-83 | A904•A998•A999•TF-6                | 108  |
| Monaco            | various                   | 74-80 | A727•TF8                           | 120  |
| Monaco            | various                   | 74-83 | A904•A998•A999•TF-6                | 108  |
| Monaco            | L/4 2.5L                  | 88-89 | AR-4                               | 62   |
| Monaco            | V/6 3.0L                  | 90-92 | ZF4HP18-FL•FLA•FLE                 | 56   |
| Neon              | L/4 2.0L                  | 95-01 | A404•A413•A470•A670                | 2    |
| Neon              | L/4 2.0L V/6 2.5L         | 02-05 | A604•40TE•41AE                     | 8    |
| Nitro             | V/6 3.7L                  | 07-10 | 42RLE                              | 142  |
| Nitro             | V/6 4.0L                  | 07-10 | 722.6•W5A580•W5A330                | 148  |
| Omni              | various                   | 78-82 | A404•A413•A470•A670                | 2    |
| Omni              | various                   | 81-90 | A404•A413•A470•A670                | 2    |
| Raider            | various                   | 87-89 | A40•41•42•AW70•71•A44D•DL•DE•A46DE | 180  |
| Ram 1500          | V/6 3.7L V/8 4.7L/5.7L    | 02-02 | 45RFE•5-45RFE                      | 136  |
| Ram 1500 SRT-10   | V/10 8.3L                 | 05-07 | A518•A618•48RE                     | 126  |
| Ram 1500 ST       | V/8 4.7L/5.7L             | 03-10 | 45RFE•5-45RFE                      | 136  |
| Ram 2500          | V/10 8.0L L/6 5.9L diesel | 03-07 | A518•A618•48RE                     | 126  |
| Ram 2500          |                           | 07-10 | 68RFE                              | 156  |
| Ram 2500 ST/SLT   | V/8 4.7L/5.7L             | 04-10 | 45RFE•5-45RFE                      | 136  |
| Ram 2500 ST/SLT   |                           | 07-10 | 68RFE                              | 156  |
| Ram 3500          | V/8 4.7L/5.7L             | 03-09 | 45RFE•5-45RFE                      | 136  |
| Ram 3500          | V/10 8.0L L/6 5.9L diesel | 03-07 | A518•A618•48RE                     | 126  |
| Ram 3500          |                           | 07-10 | 68RFE                              | 156  |
| Ram 3500 ST/SLT   | V/8 4.7L/5.7L             | 04-09 | 45RFE•5-45RFE                      | 136  |
| Ram 3500 ST/SLT   |                           | 07-10 | 68RFE                              | 156  |
| Ram 50            | various                   | 79-86 | A904•A998•A999•TF-6                | 108  |
| Ram 50            | various                   | 87-89 | A40•41•42•AW70•71•A44D•DL•DE•A46DE | 180  |
| Ram Charger       | various                   | 74-89 | A727•TF8                           | 120  |
| Ram Charger       | various                   | 82-89 | A904•A998•A999•TF-6                | 108  |
| Ram Charger       | various                   | 89-89 | A500•42RE•44RE                     | 114  |
| Ram Charger       | various                   | 90-93 | A518•A618•48RE                     | 126  |
| Ram Pickup        | various                   | 65-88 | A904•A998•A999•TF-6                | 108  |
| Ram Pickup        | various                   | 68-93 | A727•TF8                           | 120  |
| Ram Pickup        | various                   | 88-02 | A500•42RE•44RE                     | 114  |
| Ram Pickup        | various                   | 89-93 | A904•A998•A999•TF-6                | 108  |
| Ram Pickup        | various                   | 90-95 | A518•A618•48RE                     | 126  |
| Ram/Van 1500      | V/6 3.0L/3.9L V/8 5.2L    | 90-02 | A500•42RE•44RE                     | 114  |
| Ram/Van 1500-3500 | L/6 5.9L diesel           | 95-03 | A518•A618•48RE                     | 126  |
| Ram/Van 1500-3500 | V/8 5.2L/5.7L             | 95-03 | A518•A618•48RE                     | 126  |
| Ram/Van 1500-3500 | V/10 8.0L/8.3L            | 95-03 | A518•A618•48RE                     | 126  |
| Royal Monaco      | various                   | 77-77 | A727•TF8                           | 120  |
| Royal Monaco      | various                   | 77-77 | A904•A998•A999•TF-6                | 108  |
| Shadow            | various                   | 87-92 | A404•A413•A470•A670                | 2    |

INDEX



# VEHICLE TO TRANSMISSION INDEX

INDEX

| MODEL NAME             | ENGINE                  | YEAR  | TRANSMISSION                  | PAGE |
|------------------------|-------------------------|-------|-------------------------------|------|
| Shadow                 | various                 | 92-94 | A604•40TE•41AE                | 8    |
| Spirit                 | L/4 2.5L                | 89-95 | A404•A413•A470•A670           | 2    |
| Spirit                 | L/4 2.5L V/6 3.0L       | 89-95 | A604•40TE•41AE                | 8    |
| Sprinter Van/2500-3500 | L/5 2.7L diesel         | 04-09 | 722.6•W5A580•W5A330           | 148  |
| St. Regis              | various                 | 79-81 | A727•TF8                      | 120  |
| St. Regis              | various                 | 79-81 | A904•A998•A999•TF-6           | 108  |
| Stealth                | V/6 3.0L                | 91-96 | F4A33-1•W4A32-1•33-1          | 38   |
| Stratus                | L/4 2.0L/2.4L(DOHC)     | 95-06 | A604•40TE•41AE                | 8    |
| Stratus                | V/6 2.5L/2.7L           | 95-06 | A604•40TE•41AE                | 8    |
| Stratus                | L/4 2.4L (SOHC)         | 01-05 | F4A41•42•51•F4A4B•W4A42•W4A51 | 42   |
| Stratus R/T            | V/6 3.0L                | 01-05 | F4A41•42•51•F4A4B•W4A42•W4A51 | 42   |
| Van/Wagon              | various                 | 69-01 | A727•TF8                      | 120  |
| Van/Wagon              | various                 | 74-03 | A904•A998•A999•TF-6           | 108  |
| Van/Wagon              | various                 | 88-96 | A500•42RE•44RE                | 114  |
| Van/Wagon              | various                 | 90-03 | A518•A618•48RE                | 126  |
| <b>EAGLE</b>           |                         |       |                               |      |
| Medallion              | L/4 2.2L                | 88-89 | MB-1•MJ3                      | 60   |
| Premier                | L/4 2.5L                | 88-89 | AR-4                          | 62   |
| Premier                | V/6 3.0L                | 88-92 | ZF4HP18-FL•FLA•FLE            | 56   |
| Summit                 | L/4 1.6L                | 88-90 | KM175•F4A21•22•23             | 34   |
| Summit                 | L/4 1.5L                | 89-96 | KM170•F3A21•2                 | 30   |
| Summit                 | L/4 1.5L                | 91-92 | KM175•F4A21•22•23             | 34   |
| Summit                 | L/4 1.8L                | 93-96 | KM175•F4A21•22•23             | 34   |
| Summit Wagon           | L/4 1.8L/2.4L (AWD)     | 92-96 | F4A33-1•W4A32-1•33-1          | 38   |
| Summit Wagon           | L/4 1.8L                | 93-96 | KM175•F4A21•22•23             | 34   |
| Summit Wagon           | L/4 2.4L                | 93-96 | KM175•F4A21•22•23             | 34   |
| Talon                  | L/4 1.8L/2.0L           | 90-94 | KM175•F4A21•22•23             | 34   |
| Talon                  | L/4 2.0L (Turbo)        | 91-98 | F4A33-1•W4A32-1•33-1          | 38   |
| Talon                  | L/4 2.0L (AWD)          | 91-98 | F4A33-1•W4A32-1•33-1          | 38   |
| Talon                  | L/4 2.0L V/6 2.5L       | 95-98 | A604•40TE•41AE                | 8    |
| Vision                 | V/6 3.3L/3.5L           | 93-97 | A606                          | 14   |
| <b>HYUNDAI</b>         |                         |       |                               |      |
| Accent                 | L/4 1.5L                | 95-99 | A4AF1•A4AF2•A4BF1•F4A32       | 68   |
| Accent                 | L/4 1.5L/1.6L           | 00-11 | A4AF3•A4BF2•A4BF3             | 74   |
| Azera                  | V/6 3.3L/3.8L           | 06-10 | A5HF1                         | 94   |
| Elantra                | L/4 1.6L                | 92-95 | KM175•F4A21•22•23             | 34   |
| Elantra                | L/4 1.8L                | 92-95 | KM175•F4A21•22•23             | 34   |
| Elantra                | L/4 1.8L/2.0L           | 96-99 | A4AF1•A4AF2•A4BF1•F4A32       | 68   |
| Elantra                | L/4 1.8L/2.0L           | 00-00 | A4AF3•A4BF2•A4BF3             | 74   |
| Elantra                | L/4 2.0L                | 01-06 | F4A41•42•51•F4A4B•W4A42•W4A51 | 42   |
| Elantra                | L/4 1.4L/1.6L/2.0L      | 04-10 | A4CF1•2                       | 86   |
| Entourage              | V/6 3.8L                | 07-09 | A5HF1                         | 94   |
| Excel                  | L/4 1.5L                | 86-86 | KM175•F4A21•22•23             | 34   |
| Excel                  | L/4 1.5L                | 87-88 | KM175•F4A21•22•23             | 34   |
| Excel                  | L/4 1.5L                | 89-89 | KM175•F4A21•22•23             | 34   |
| Excel                  | L/4 1.5L                | 90-95 | KM175•F4A21•22•23             | 34   |
| Genesis                | V/8 4.6L                | 09-11 | ZF6HP26                       | 220  |
| Santa Fe               | V/6 3.5L                | 01-10 | F4A41•42•51•F4A4B•W4A42•W4A51 | 42   |
| Santa Fe               | V/6 3.5L                | 04-06 | F5A51•W5A51•F5A5A             | 50   |
| Santa Fe               | V/6 3.3L                | 05-10 | A5HF1                         | 94   |
| Santa Fe               | V/6 2.7L                | 07-07 | F4A41•42•51•F4A4B•W4A42•W4A51 | 42   |
| Scoupe                 | L/4 1.5L                | 91-92 | KM175•F4A21•22•23             | 34   |
| Scoupe                 | L/4 1.5L                | 93-95 | A4AF1•A4AF2•A4BF1•F4A32       | 68   |
| Sonata                 | L/4 2.4L (Korean built) | 89-90 | KM175•F4A21•22•23             | 34   |



# VEHICLE TO TRANSMISSION INDEX

| MODEL NAME      | ENGINE                    | YEAR  | TRANSMISSION                  | PAGE |
|-----------------|---------------------------|-------|-------------------------------|------|
| Sonata          | L/4 2.4L (Canadian built) | 89-90 | KM175•F4A21•22•23             | 34   |
| Sonata          | L/4 2.4L (Korean built)   | 90-93 | KM175•F4A21•22•23             | 34   |
| Sonata          | L/4 2.4L (Canadian built) | 90-93 | KM175•F4A21•22•23             | 34   |
| Sonata          | V/6 3.0L                  | 90-93 | KM175•F4A21•22•23             | 34   |
| Sonata          | L/4 2.0L                  | 91-98 | KM175•F4A21•22•23             | 34   |
| Sonata          | V/6 3.0L                  | 94-98 | F4A33-1•W4A32-1•33-1          | 38   |
| Sonata          | L/4 2.4L V/6 2.5L/2.7L    | 99-06 | F4A41•42•51•F4A4B•W4A42•W4A51 | 42   |
| Sonata          | L/4 2.4L                  | 05-11 | A5GF1                         | 88   |
| Sonata          | V/6 3.3L                  | 06-09 | A5HF1                         | 94   |
| Tiburon         | L/4 1.8L/2.0L             | 97-99 | A4AF1•A4AF2•A4BF1•F4A32       | 68   |
| Tiburon         | L/4 2.0L                  | 00-02 | A4AF3•A4BF2•A4BF3             | 74   |
| Tiburon         | L/4 2.0L                  | 03-08 | F4A41•42•51•F4A4B•W4A42•W4A51 | 42   |
| Tiburon         | V/6 2.7L                  | 03-06 | F4A41•42•51•F4A4B•W4A42•W4A51 | 42   |
| Tucson          | L/4 2.0L V/6 2.7L         | 05-09 | F4A41•42•51•F4A4B•W4A42•W4A51 | 42   |
| XG-300          | V/6 3.0L                  | 01-01 | F5A51•W5A51•F5A5A             | 50   |
| XG-350          | V/6 3.5L                  | 02-04 | F5A51•W5A51•F5A5A             | 50   |
| XG-350          | V/6 3.5L                  | 04-05 | F5A51•W5A51•F5A5A             | 50   |
| <b>JEEP</b>     |                           |       |                               |      |
| Cherokee        | various                   | 70-79 | TH400•3L80•375•425            | 198  |
| Cherokee        | various                   | 81-83 | A727•TF8                      | 120  |
| Cherokee        | various                   | 82-86 | A904•A998•A999•TF-6           | 108  |
| Cherokee        | L/4 2.5L L/6 4.0L         | 87-01 | AW4•AW30-40LE•A340            | 174  |
| Cherokee        | various                   | 95-00 | A904•A998•A999•TF-6           | 108  |
| CJ5             | various                   | 80-83 | A904•A998•A999•TF-6           | 108  |
| CJ7             | various                   | 76-79 | TH400•3L80•375•425            | 198  |
| CJ7             | various                   | 80-86 | A904•A998•A999•TF-6           | 108  |
| CJ8,Scrambler   | various                   | 82-85 | A904•A998•A999•TF-6           | 108  |
| Comanche        | various                   | 86-86 | A904•A998•A999•TF-6           | 108  |
| Comanche        | L/6 4.0L                  | 90-93 | AW4•AW30-40LE•A340            | 174  |
| Commander       | V/6 3.7L                  | 06-10 | 722.6•W5A580•W5A330           | 148  |
| Commander       | V/8 4.7L/5.7L             | 06-08 | 45RFE•5-45RFE                 | 136  |
| Commando        | various                   | 72-73 | TH400•3L80•375•425            | 198  |
| Compass/Patriot | L/4 2.0L/2.4L             | 07-10 | JF011E                        | 26   |
| Grand Cherokee  | L/6 4.0L                  | 91-93 | AW4•AW30-40LE•A340            | 174  |
| Grand Cherokee  | L/6 4.0L                  | 93-04 | A500•42RE•44RE                | 114  |
| Grand Cherokee  | V/8 5.2L                  | 94-95 | A518•A618•48RE                | 126  |
| Grand Cherokee  | V/8 5.2L L/5 3.1L diesel  | 96-00 | A500•42RE•44RE                | 114  |
| Grand Cherokee  | V/8 5.9L                  | 98-98 | A518•A618•48RE                | 126  |
| Grand Cherokee  | V/8 4.7L                  | 99-01 | 45RFE•5-45RFE                 | 136  |
| Grand Cherokee  | V/8 4.7L                  | 02-02 | 45RFE•5-45RFE                 | 136  |
| Grand Cherokee  | L/6 2.7L diesel           | 02-02 | 722.6•W5A580•W5A330           | 148  |
| Grand Cherokee  | V/6 3.7L V/8 4.7L         | 03-04 | 45RFE•5-45RFE                 | 136  |
| Grand Cherokee  | V/6 3.7L V/8 6.1L         | 05-10 | 722.6•W5A580•W5A330           | 148  |
| Grand Cherokee  | V/8 4.7//5.7L             | 05-08 | 45RFE•5-45RFE                 | 136  |
| Grand Wagoneer  | various                   | 84-86 | A904•A998•A999•TF-6           | 108  |
| Grand Wagoneer  | various                   | 84-91 | A727•TF8                      | 120  |
| Liberty         | V/6 3.7L                  | 02-02 | 45RFE•5-45RFE                 | 136  |
| Liberty         | L/4 2.4L V/6 3.7L         | 03-10 | 42RLE                         | 142  |
| Liberty         | L/4 2.8L diesel           | 05-07 | 45RFE•5-45RFE                 | 136  |
| Pickup/J10/J20  | various                   | 70-79 | TH400•3L80•375•425            | 198  |
| Pickup/J10/J20  | various                   | 80-88 | A727•TF8                      | 120  |
| Pickup/J10/J20  | various                   | 82-86 | A904•A998•A999•TF-6           | 108  |
| Pickup/J10/J20  | L/6 4.0L                  | 87-93 | AW4•AW30-40LE•A340            | 174  |
| Wagoneer        | various                   | 65-79 | TH400•3L80•375•425            | 198  |

INDEX

# VEHICLE TO TRANSMISSION INDEX

INDEX

| MODEL NAME           | ENGINE                 | YEAR  | TRANSMISSION                       | PAGE |
|----------------------|------------------------|-------|------------------------------------|------|
| Wagoneer             | various                | 80-83 | A727•TF8                           | 120  |
| Wagoneer             | various                | 82-86 | A904•A998•A999•TF-6                | 108  |
| Wagoneer             | L/6 4.0L               | 87-93 | AW4•AW30-40LE•A340                 | 174  |
| Wrangler             | various                | 87-02 | A904•A998•A999•TF-6                | 108  |
| Wrangler             | L/4 2.5L               | 95-02 | A904•A998•A999•TF-6                | 108  |
| Wrangler             | L/6 4.0L               | 95-02 | A904•A998•A999•TF-6                | 108  |
| Wrangler             | L/4 2.4L L/6 3.8L/4.0L | 03-10 | 42RLE                              | 142  |
| Wrangler Unlimited   | L/4 2.8L               | 08-08 | 45RFE•5-45RFE                      | 136  |
| Wrangler Unlimited   | L/6 3.8L               | 08-10 | 42RLE                              | 142  |
| <b>KIA</b>           |                        |       |                                    |      |
| Amanti               | V/6 3.5L               | 04-05 | F5A51•W5A51•F5A5A                  | 50   |
| Amanti               | V/6 3.5L               | 06-09 | A5HF1                              | 94   |
| Borrego              | V/6 3.8L               | 09-11 | RE5R05A•A5SR2•JR507E               | 226  |
| Borrego              | V/8 4.6L               | 09-10 | ZF6HP26                            | 220  |
| Forte                | L/4 1.6L/2.0L          | 08-10 | A4CF1•2                            | 86   |
| Forte                | L/4 2.0L 2.4L          | 10-11 | A5GF1                              | 88   |
| Optima               | L/4 2.4L V/6 2.5L/2.7L | 01-05 | F4A41•42•51•F4A4B•W4A42•W4A51      | 42   |
| Optima               | L/4 2.4L               | 06-06 | F4A41•42•51•F4A4B•W4A42•W4A51      | 42   |
| Optima               | L/4 2.4L V/6 2.7L      | 06-10 | A5GF1                              | 88   |
| Rio/Rio 5            | L/4 1.5L/1.6L          | 01-05 | 4EAT-F•F4A-EL•IF4E-F4E-111         | 64   |
| Rio/Rio 5            | L/4 1.6L               | 06-09 | A4AF3•A4BF2•A4BF3                  | 74   |
| Rio/Rio Cinco        | L/4 1.5L/1.6L          | 01-05 | 4EAT-F•F4A-EL•IF4E-F4E-111         | 64   |
| Rondo                | L/4 2.4L               | 07-10 | F4A41•42•51•F4A4B•W4A42•W4A51      | 42   |
| Rondo                | V/6 2.7L               | 07-07 | A5GF1                              | 88   |
| Rondo                | V/6 2.7L               | 07-10 | A5GF1                              | 88   |
| Sedona               | V/6 3.5L               | 02-05 | F5A51•W5A51•F5A5A                  | 50   |
| Sedona               | V/6 3.8L               | 06-10 | A5HF1                              | 94   |
| Sephia               | L/4 1.8L               | 94-01 | 4EAT-F•F4A-EL•IF4E-F4E-111         | 64   |
| Sorento              | V/6 3.5L               | 03-04 | A40•41•42•AW70•71•A44D•DL•DE•A46DE | 180  |
| Sorento              | V/6 3.5L               | 04-11 | RE5R05A•A5SR2•JR507E               | 226  |
| Sorento              | V/6 3.8L               | 07-11 | RE5R05A•A5SR2•JR507E               | 226  |
| Soul                 | L/4 1.6L/2.0L          | 08-10 | A4CF1•2                            | 86   |
| Spectra              | L/4 1.8L               | 97-04 | 4EAT-F•F4A-EL•IF4E-F4E-111         | 64   |
| Spectra/Spectra5     | L/4 2.0L               | 04-05 | F4A41•42•51•F4A4B•W4A42•W4A51      | 42   |
| Spectra/Spectra5     | L/4 2.0L               | 04-09 | A4CF1•2                            | 86   |
| Sportage             | L/4 2.0L               | 95-02 | A40•41•42•AW70•71•A44D•DL•DE•A46DE | 180  |
| Sportage             | L/4 2.0L V/6 2.7L      | 05-07 | F4A41•42•51•F4A4B•W4A42•W4A51      | 42   |
| Veracruz             | V/6 3.0L/3.5L/3.8L     | 06-11 | TF-81SC•AF21•AW6A-EL•AM6           | 102  |
| <b>MITSUBISHI</b>    |                        |       |                                    |      |
| 1100/1500/1800/2000  | various                | 65-70 | BW35•T35•BW35TB•37TB•BW65•66       | 190  |
| 3000GT               | V/6 3.0L               | 91-99 | F4A33-1•W4A32-1•33-1               | 38   |
| Cantor (2 ton truck) | diesel                 | 90-98 | JR403E•RG4R01A                     | 204  |
| Cordia               | L/4 1.8L               | 83-83 | KM175•F4A21•22•23                  | 34   |
| Cordia               | L/4 1.8L/2.0L          | 84-88 | KM175•F4A21•22•23                  | 34   |
| Diamante             | V/6 3.0L               | 92-96 | F4A33-1•W4A32-1•33-1               | 38   |
| Diamante             | V/6 3.0L/3.5L          | 97-04 | F4A41•42•51•F4A4B•W4A42•W4A51      | 42   |
| Eclipse              | L/4 1.8L/2.0L          | 90-94 | KM175•F4A21•22•23                  | 34   |
| Eclipse              | L/4 2.0L (Turbo)       | 91-98 | F4A33-1•W4A32-1•33-1               | 38   |
| Eclipse              | L/4 2.0L               | 91-99 | F4A33-1•W4A32-1•33-1               | 38   |
| Eclipse              | L/4 2.0L (w/o turbo)   | 95-98 | A604•40TE•41AE                     | 8    |
| Eclipse              | L/4 2.4L               | 96-99 | KM175•F4A21•22•23                  | 34   |
| Eclipse              | V/6 3.0L               | 96-05 | F4A41•42•51•F4A4B•W4A42•W4A51      | 42   |
| Eclipse              | L/4 2.4L               | 00-10 | F4A41•42•51•F4A4B•W4A42•W4A51      | 42   |
| Eclipse              | L/4 2.4L               | 06-07 | F4A41•42•51•F4A4B•W4A42•W4A51      | 42   |



# VEHICLE TO TRANSMISSION INDEX

| MODEL NAME         | ENGINE             | YEAR  | TRANSMISSION                       | PAGE |
|--------------------|--------------------|-------|------------------------------------|------|
| Eclipse            | V/6 3.8L           | 06-07 | F5A51•W5A51•F5A5A                  | 50   |
| Eclipse            | V/6 3.8L           | 06-10 | JF506E•JA5A-EL•RE5F01A             | 80   |
| Eclipse Spyder     | V/6 3.8L           | 06-10 | JF506E•JA5A-EL•RE5F01A             | 80   |
| Endeavor           | V/8 3.8L           | 04-06 | F5A51•W5A51•F5A5A                  | 50   |
| Endeavor           | V/6 3.8L           | 04-06 | F5A51•W5A51•F5A5A                  | 50   |
| Expo LRV           | L/4 1.8L           | 92-94 | KM175•F4A21•22•23                  | 34   |
| Expo LRV           | L/4 1.8L/2.4L      | 92-93 | F4A33-1•W4A32-1•33-1               | 38   |
| Expo LRV           | L/4 2.4L           | 92-94 | KM175•F4A21•22•23                  | 34   |
| Galant             | L/4 2.4L           | 85-88 | KM175•F4A21•22•23                  | 34   |
| Galant             | L/4 2.0L           | 89-93 | KM175•F4A21•22•23                  | 34   |
| Galant             | L/4 2.0L           | 91-92 | F4A33-1•W4A32-1•33-1               | 38   |
| Galant             | L/4 2.4L (DOHC)    | 94-94 | F4A33-1•W4A32-1•33-1               | 38   |
| Galant             | L/4 2.4L (SOHC)    | 94-98 | KM175•F4A21•22•23                  | 34   |
| Galant             | V/6 2.5L           | 95-98 | A604•40TE•41AE                     | 8    |
| Galant             | L/4 2.4L           | 99-03 | F4A41•42•51•F4A4B•W4A42•W4A51      | 42   |
| Galant             | V/6 3.0L           | 99-03 | F4A41•42•51•F4A4B•W4A42•W4A51      | 42   |
| Galant             | L/4 2.4L           | 04-10 | F4A41•42•51•F4A4B•W4A42•W4A51      | 42   |
| Galant             | V/6 3.8L           | 04-07 | F5A51•W5A51•F5A5A                  | 50   |
| Galant             | V/6 3.8L           | 07-10 | JF506E•JA5A-EL•RE5F01A             | 80   |
| Galant GT/Ralliart | V/6 3.8L           | 07-08 | F5A51•W5A51•F5A5A                  | 50   |
| Galant Sigma       | V/6 3.0L           | 87-88 | KM175•F4A21•22•23                  | 34   |
| Galant Sigma       | V/6 3.0L           | 87-91 | KM175•F4A21•22•23                  | 34   |
| Lancer             | L/4 2.0L           | 02-03 | F4A41•42•51•F4A4B•W4A42•W4A51      | 42   |
| Lancer             | L/4 2.0L/2.4L      | 04-10 | F4A41•42•51•F4A4B•W4A42•W4A51      | 42   |
| Lancer             | L/4 1.5L/1.6L/1.8L | 06-10 | F1C1                               | 100  |
| Mirage             | L/4 1.5L           | 85-88 | KM175•F4A21•22•23                  | 34   |
| Mirage             | L/4 1.6L           | 85-88 | KM175•F4A21•22•23                  | 34   |
| Mirage             | L/4 1.5L           | 88-90 | KM175•F4A21•22•23                  | 34   |
| Mirage             | L/4 1.5L           | 90-92 | KM175•F4A21•22•23                  | 34   |
| Mirage             | L/4 1.5L           | 93-97 | KM175•F4A21•22•23                  | 34   |
| Mirage             | L/4 1.8L           | 93-97 | KM175•F4A21•22•23                  | 34   |
| Mirage             | L/4 1.5L           | 98-02 | F4A41•42•51•F4A4B•W4A42•W4A51      | 42   |
| Mirage             | L/4 1.8L           | 98-02 | F4A41•42•51•F4A4B•W4A42•W4A51      | 42   |
| Montero            | L/4 2.6L           | 83-86 | A904•A998•A999•TF-6                | 108  |
| Montero            | L/4 2.6L           | 87-89 | A40•41•42•AW70•71•A44D•DL•DE•A46DE | 180  |
| Montero            | L/4 2.6L V/6 3.0L  | 90-94 | A40•41•42•AW70•71•A44D•DL•DE•A46DE | 180  |
| Montero            | V/6 3.0L/3.5L      | 94-00 | A340•A341E•A343E•A350•AW30-40LE    | 168  |
| Montero            | V/6 3.8L           | 03-06 | R5A51•V5A51                        | 214  |
| Montero Limited    | V/6 3.5L           | 01-02 | R5A51•V5A51                        | 214  |
| Montero Sport      | V/6 3.0L           | 97-98 | A340•A341E•A343E•A350•AW30-40LE    | 168  |
| Montero Sport      | V/6 3.0L/3.5L      | 99-04 | R4A51•V4A51                        | 208  |
| Montero XLS        | V/6 3.5L           | 01-02 | R4A51•V4A51                        | 208  |
| Outlander          | L/4 2.4L           | 03-03 | F4A41•42•51•F4A4B•W4A42•W4A51      | 42   |
| Outlander          | L/4 2.4L           | 03-03 | F4A41•42•51•F4A4B•W4A42•W4A51      | 42   |
| Outlander          | L/4 2.4L           | 04-05 | F4A41•42•51•F4A4B•W4A42•W4A51      | 42   |
| Outlander          | L/4 2.4L           | 05-05 | F4A41•42•51•F4A4B•W4A42•W4A51      | 42   |
| Outlander          | L/4 2.4L           | 06-06 | F4A41•42•51•F4A4B•W4A42•W4A51      | 42   |
| Pickup             | L/4 2.4L/2.6L      | 83-86 | A904•A998•A999•TF-6                | 108  |
| Pickup             | L/4 2.6L V/6 3.0L  | 87-89 | A40•41•42•AW70•71•A44D•DL•DE•A46DE | 180  |
| Pickup             | L/4 2.6L V/6 3.0L  | 90-97 | A500•42RE•44RE                     | 114  |
| Precis             | L/4 1.5L           | 87-89 | KM175•F4A21•22•23                  | 34   |
| Precis             | L/4 1.5L           | 90-95 | KM175•F4A21•22•23                  | 34   |
| Raider             | V/8 4.7L           | 06-08 | 45RFE•5-45RFE                      | 136  |
| Raider             | V/6 3.7L           | 06-09 | 42RLE                              | 142  |

INDEX

# VEHICLE TO TRANSMISSION INDEX

INDEX

| MODEL NAME      | ENGINE                      | YEAR  | TRANSMISSION                       | PAGE |
|-----------------|-----------------------------|-------|------------------------------------|------|
| Sapporo         | various                     | 74-81 | A904•A998•A999•TF-6                | 108  |
| Sigma           | L/4 1.6L/2.0L               | 77-79 | A904•A998•A999•TF-6                | 108  |
| Starion         | various                     | 84-89 | L3N71B•L4N71B•N4AEL                | 184  |
| Tredia          | L/4 1.8L                    | 83-83 | KM175•F4A21•22•23                  | 34   |
| Tredia          | L/4 2.0L                    | 84-88 | KM175•F4A21•22•23                  | 34   |
| Van/Wagon       | L/4 2.4L                    | 87-90 | A40•41•42•AW70•71•A44D•DL•DE•A46DE | 180  |
| <b>PLYMOUTH</b> |                             |       |                                    |      |
| Acclaim         | L/4 2.5L V/6 3.0L           | 89-95 | A404•A413•A470•A670                | 2    |
| Acclaim         | various                     | 89-94 | A604•40TE•41AE                     | 8    |
| Arrow           | various                     | 76-80 | A904•A998•A999•TF-6                | 108  |
| Arrow Pickup    | various                     | 74-82 | A904•A998•A999•TF-6                | 108  |
| Barracuda       | various                     | 65-74 | A904•A998•A999•TF-6                | 108  |
| Barracuda       | various                     | 65-74 | A727•TF8                           | 120  |
| Belvedere       | various                     | 65-70 | A904•A998•A999•TF-6                | 108  |
| Belvedere       | various                     | 65-70 | A727•TF8                           | 120  |
| Breeze          | L/4 2.0L/2.4L               | 96-00 | A604•40TE•41AE                     | 8    |
| Caravelle       | various                     | 85-88 | A404•A413•A470•A670                | 2    |
| Champ           | various                     | 79-82 | KM175•F4A21•22•23                  | 34   |
| Conquest        | various                     | 84-86 | L3N71B•L4N71B•N4AEL                | 184  |
| Cricket         | various                     | 71-72 | BW35•T35•BW35TB•37TB•BW65•66       | 190  |
| Duster          | various                     | 70-72 | A904•A998•A999•TF-6                | 108  |
| Duster          | various                     | 70-72 | A727•TF8                           | 120  |
| Fury            | various                     | 66-78 | A727•TF8                           | 120  |
| Fury            | various                     | 66-78 | A904•A998•A999•TF-6                | 108  |
| Gran Fury       | various                     | 75-89 | A904•A998•A999•TF-6                | 108  |
| Gran Fury       | various                     | 75-89 | A727•TF8                           | 120  |
| Grand Voyager   | L/4 2.4L V/6 3.0L/3.3L/3.8L | 95-00 | A604•40TE•41AE                     | 8    |
| Grand Voyager   | L/4 2.4L                    | 95-00 | A404•A413•A470•A670                | 2    |
| Grand Voyager   | V/6 3.0L                    | 95-00 | A404•A413•A470•A670                | 2    |
| Grand Voyager   | V/6 3.8L                    | 97-98 | A604•40TE•41AE                     | 8    |
| Horizon         | various                     | 78-81 | A404•A413•A470•A670                | 2    |
| Horizon         | various                     | 82-82 | KM175•F4A21•22•23                  | 34   |
| Horizon         | various                     | 82-90 | A404•A413•A470•A670                | 2    |
| Laser           | L/4 1.8L/2.0L               | 90-94 | KM175•F4A21•22•23                  | 34   |
| Laser           | L/4 2.0L (Turbo)            | 91-94 | F4A33-1•W4A32-1•33-1               | 38   |
| Laser           | L/4 2.0L                    | 91-94 | F4A33-1•W4A32-1•33-1               | 38   |
| Neon            | L/4 2.0L V/6 2.5L           | 95-01 | A404•A413•A470•A670                | 2    |
| Prowler         | V/6 3.5L                    | 97-02 | A604•40TE•41AE                     | 8    |
| Reliant         | various                     | 81-89 | A404•A413•A470•A670                | 2    |
| Road Runner     | various                     | 68-79 | A904•A998•A999•TF-6                | 108  |
| Road Runner     | various                     | 68-79 | A727•TF8                           | 120  |
| Sapporo         | various                     | 78-83 | A904•A998•A999•TF-6                | 108  |
| Satellite       | various                     | 68-74 | A904•A998•A999•TF-6                | 108  |
| Satellite       | various                     | 68-74 | A727•TF8                           | 120  |
| Sundance        | various                     | 87-91 | A404•A413•A470•A670                | 2    |
| Sundance        | various                     | 92-94 | A604•40TE•41AE                     | 8    |
| Trailduster     | various                     | 74-81 | A727•TF8                           | 120  |
| Valiant         | various                     | 60-76 | A904•A998•A999•TF-6                | 108  |
| Valiant         | various                     | 68-76 | A727•TF8                           | 120  |
| Volare'         | various                     | 76-80 | A904•A998•A999•TF-6                | 108  |
| Volare'         | various                     | 76-80 | A727•TF8                           | 120  |
| Voyager         | various                     | 74-83 | A727•TF8                           | 120  |
| Voyager         | various                     | 81-83 | A904•A998•A999•TF-6                | 108  |
| Voyager         | L/4 2.4L                    | 84-91 | A404•A413•A470•A670                | 2    |



# VEHICLE TO TRANSMISSION INDEX

| MODEL NAME | ENGINE                      | YEAR  | TRANSMISSION        | PAGE |
|------------|-----------------------------|-------|---------------------|------|
| Voyager    | L/4 2.4L                    | 95-00 | A404•A413•A470•A670 | 2    |
| Voyager    | V/6 3.0L                    | 95-00 | A404•A413•A470•A670 | 2    |
| Voyager    | L/4 2.4L V/6 3.0L/3.3L/3.8L | 95-00 | A604•40TE•41AE      | 8    |

**NOTES**

**INDEX**

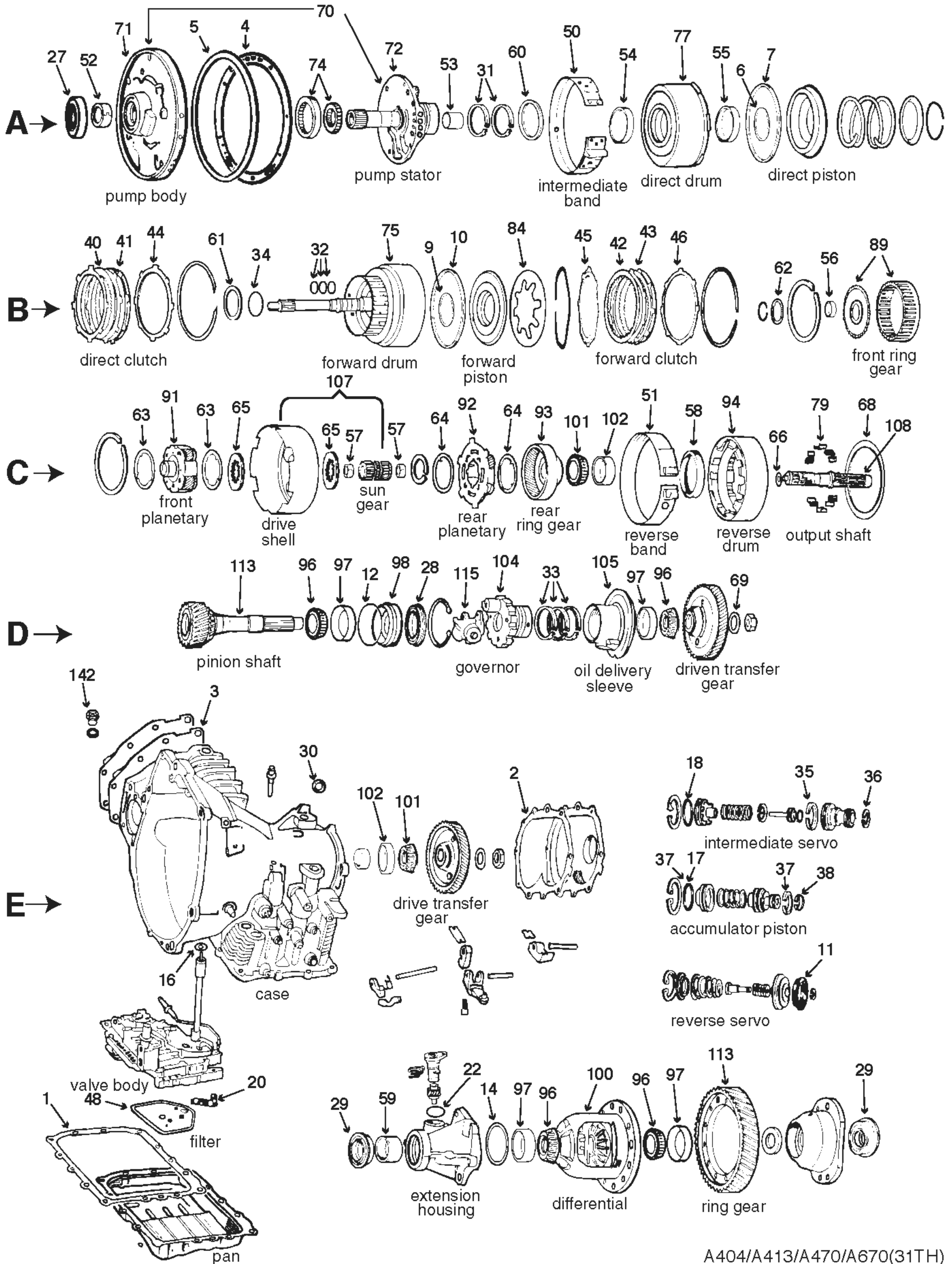
## Miscellaneous

| <b>ADVERTISERS</b> | <b>PRODUCTS</b>                  | <b>PAGE</b> |
|--------------------|----------------------------------|-------------|
| Life Products      | oil and oil additives            | front cover |
| Transtec           | gaskets/seals/rings              | rear cover  |
| Rostra             | electrical products              | 7           |
| Alto               | frictions/steels                 | 19          |
| ATSG               | repair manuals                   | 29          |
| Muscle             | oil additives                    | 41          |
| LubeGard           | oil and oil additives            | 49          |
| Superior           | valve body repair                | 55          |
| Teckpak            | speciality products              | 59          |
| Transgo            | valve body repair                | 67          |
| Toledo             | electrical and hard parts        | 73          |
| GFX                | hard parts and electrical        | 79          |
| Filtran            | rings/filters/grease             | 93          |
| Sonnax             | valve body repair and hard parts | 99          |
| Dacco              | converters and hard parts        | 107         |
| Line Card          | A & Reds                         | 135         |
| A & Reds           | transfer case gaskets            | 141         |
| Conversion         | engines                          | 147         |
| A & Reds           | number system                    | 155         |
| A & Reds           | paint                            | 161         |
| A & Reds           | engine hanger parts              | 173         |
| A & Reds           | engine hanger                    | 189         |
| A & Reds           | speedo problems                  | 207         |
| A & Reds           | decimal chart                    | 213         |
| A & Reds           | disclaimer                       | 219         |
| BorgWarner         | electrical and frictions         | 232         |
|                    |                                  |             |
|                    |                                  |             |
|                    |                                  |             |
|                    |                                  |             |



A404•A413•A470•A670 (31TH)

A404•A413•A470•A670



A404/A413/A470/A670(31TH)  
48000

| ILL                                  | DESCRIPTION  | QTY | YEAR  | REFERENCE # | PART #    |
|--------------------------------------|--|-----|-------|-------------|-----------|
| <b>TECHNICAL MANUALS</b>             |  |     |       |             |           |
| K53                                  | Tech manual A670 dia/assembly A404-A670 diagnosis/troubleshooting      | 1   | 78-03 | 83-670TM    | 010-104   |
| <b>REBUILDER KITS</b>                |  |     |       |             |           |
| K4                                   | Master deluxe rebuild kit A404   | 1   | 78-80 | AE          | K4800-R   |
| K4                                   | Master deluxe rebuild kit (3 clutch) A404/A413                         | 1   | 81-03 | AE          | K4800A-R  |
| K4                                   | Master deluxe rebuild kit (4 clutch) A470/670 (w/metal plastic filter) | 1   | 81-03 | AE          | K4800B-R  |
| K5                                   | Master kit w/steels A404   | 1   | 78-80 | AE          | K4800     |
| K5                                   | Master kit w/steels (3 clutch) A413/470/670                            | 1   | 81-03 | AE          | K4800A    |
| K5                                   | Master kit w/steels (4 clutch) A413/470/670                            | 1   | 81-03 | AE          | K4800B    |
| K6                                   | Master kit w/o steels A404   | 1   | 78-81 | AE          | K4800-LS  |
| K6                                   | Master kit w/o steels (3 clutch) A413/470/670                          | 1   | 81-03 | AE          | K4800A-LS |
| K6                                   | Master kit w/o steels (4 clutch) A413/470/670                          | 1   | 81-03 | AE          | K4800B-LS |
| K7                                   | O/H gasket set w/seals-rings A413/470/670                              | 1   | 81-03 | AE          | K48900A   |
| K7                                   | O/H gasket set w/seals-rings (combo) A404/413/470/670                  | 1   | 78-03 | AE          | K48900B   |
| K11                                  | Gasket and seal kit A413/470/670                                       | 1   | 81-03 | AE          | K48900A-1 |
| K11                                  | Gasket and seal kit - combo A404/413/470/670                           | 1   | 78-03 | AE          | K48900B-1 |
| K28                                  | Kit, accumulator D-rings A404/413/470/670                              | 1   | 78-03 | AE          | K12900-3  |
| <b>VALVE BODY KITS</b>               |  |     |       |             |           |
| n/i                                  | Shift Kit® converter shudder wrong gear starts rough 1-2 down shift    | 1   | 78-03 | SK® 670     | K48908    |
| K15                                  | Shift Correction Package A404/413/470/670                              | 1   | 78-03 | K404-670    | S48908    |
| <b>GASKETS AND RUBBER COMPONENTS</b> |  |     |       |             |           |
| E1                                   | Gasket, oil pan A404/A413/A470/A670 (neoprene/cork)                    | 1   | 78-03 | 5224052     | 13725X    |
| E1                                   | Gasket, oil pan A404/A413/A470/A670 (Duraprene®)                       | 1   | 78-03 | 5224052     | 13725D    |
| E2                                   | Gasket, end cover (rear) A404/A413/A470/A670 (neoprene/cork)           | 1   | 78-03 | 5222142     | 13727X    |
| E2                                   | Gasket, end cover (rear) A404/A413/A470/A670 (Duraprene®)              | 1   | 78-03 | 5222142     | 13727D    |
| E3                                   | Gasket, differential cover A404/A413/A470/A670 (neoprene/cork)         | 1   | 78-03 | 5212276     | 13726X    |
| E3                                   | Gasket, differential cover A404/A413/A470/A670 (Duraprene®)            | 1   | 78-03 | 5212276     | 13726D    |
| A4                                   | Gasket A404/A413/A470/A670 (pump body)                                 | 1   | 78-03 | 5212306     | 13728     |
| A5                                   | Seal, lathe cut A404/A413/A470/A670 (pump body)                        | 1   | 78-03 | 5205660     | 13721     |
| A6                                   | Lip seal direct clutch piston inner                                    | 1   | 78-03 | 5205670     | 13729     |
| A7                                   | Lip seal direct clutch piston outer                                    | 1   | 78-80 | 5205671     | 13730     |
| A7                                   | Lip seal direct clutch piston outer                                    | 1   | 81-03 | 4058487     | 13308     |
| B9                                   | Lip seal forward clutch piston inner                                   | 1   | 78-03 | 5212373     | 13732     |
| B10                                  | Lip seal forward clutch piston outer                                   | 1   | 78-03 | 5205701     | 13733     |
| E11                                  | Lip seal A404/A413/A470/A670 (reverse servo piston)                    | 1   | 78-03 | 4269736     | 13335     |
| D12                                  | O'ring transfer shaft bearing retainer                                 | 1   | 78-03 | 6500169     | 13735     |
| E14                                  | O'ring A404/A413/A470/A670 (extension housing)                         | 1   | 78-03 | 6500111     | 13736     |
| E16                                  | Lip seal A404/A413/A470/A670 (throttle lever shaft)                    | 1   | 78-03 | 2466548     | 13207     |
| E17                                  | O'ring A404/A413/A470/A670 (accumulator plate)                         | 1   | 78-03 | 6031545     | 13738     |
| E18                                  | O'ring A404/A413 (kick down servo guide/small)                         | 1   | 78-80 | n/a         | 13330     |
| E18                                  | O'ring A470/A670 (kickdown servo guide/large)                          | 1   | 81-03 | n/a         | 13331     |
| E20                                  | Gasket (foam type) A404/A413/A470/A670 (filter)                        | 1   | 83-03 | 4269671     | 13731     |
| E22                                  | O'ring A404/A413/A470/A670 (speedo housing)                            | 1   | 78-03 | 5212152     | 13171     |
| n/i                                  | O'ring A404/A413/A470/A670 (speedo cable)                              | 1   | 81-03 | 6025752     | 13268B    |
| n/i                                  | Lip seal w/o spring A404/A413/A470/A670 (speedo driven gear)           | 1   | 78-03 | 2538588     | 3991LS    |
| n/i                                  | Lip seal w/spring A404/A413/A470/A670 (speedo driven gear)             | 1   | 78-03 | 2538588HD   | 3991L     |
| n/i                                  | Lip seal A404/A413/A470/A670 (speedo driven gear)                      | 1   | 78-03 | 4057047     | 3991AL    |
| n/i                                  | O'ring kick down servo piston small                                    | 1   | 78-80 | 6031559     | 13734     |
| n/i                                  | O'ring kick down servo piston large                                    | 1   | 81-03 | 6031410     | 13737     |
| n/i                                  | Gasket A413/A470/A670 (TCC solenoid)                                   | 1   | 86-03 | 4412305     | 23305     |
| n/i                                  | O'ring A413/A470/A670 (solenoid connector)                             | 2   | 86-03 | 6030608     | 3291L     |
| n/i                                  | O'ring A670 (cooler bypass/case)                                       | 1   | 98-03 | 4800019AA   | 13748     |
| n/i                                  | Washer A404/A413/A470/A670 (pump bolts)                                | 7   | 78-03 | n/a         | 13033     |
| n/i                                  | Washer (tapered) neutral safety switch                                 | 1   | 78-03 | 2408143     | 2627W     |



# A404•A413•A470•A670 (31TH)

A404•A413•A470•A670

| ILL                     | DESCRIPTION                         | QTY                                       | YEAR | REFERENCE # | PART #  |          |
|-------------------------|-------------------------------------|---|------|-------------|---------|----------|
| <b>METAL CLAD SEALS</b> |                                     |   |      |             |         |          |
| A27                     | Seal, metal clad 2.253"x1.450x.380" | A404/A413/A470/A670 (front)               | 1    | 78-03       | 429057  | 12575A   |
| D28                     | Seal, metal clad 1.974x1.193x.457"  | A404/A413 (transfer shaft)                | 1    | 78-82       | 5222015 | 48577    |
| E29                     | Seal, metal clad 2.290x1.510x.354"  | A404/A413/A470/A670 (axle left/right)     | 2    | 78-03       | 5205591 | 48576    |
| E30                     | Seal, metal clad 1.254x.775x.254"   | A404/A413/A470/A670 (manual lever shaft)  | 1    | 78-03       | 3878447 | 22574    |
| n/i                     | Seal, metal clad                    | for Teckpak axle saver                    | 1    | 78-03       | 330749  | 48578    |
| <b>SEALING RINGS</b>    |                                     |   |      |             |         |          |
| K10                     | Kit, sealing ring (metal)           | A404/A413/A470/A670                       | 1    | 78-03       | AE      | K48950A  |
| A31                     | Ring, sealing (metal)               | A404/A413/A470/A670 (stator)              | 2    | 78-03       | 5212305 | 48550A   |
| B32                     | Ring, sealing (metal)               | A404/A413 (input shaft)                   | 1    | 78-85       | 1401221 | 12853L   |
| B32                     | Ring, sealing (teflon)              | A404/A413 (input shaft)                   | 1    | 78-85       | 4269592 | 12853T   |
| B32                     | Ring, sealing (metal)               | A470/A670 (input shaft)                   | 2/3  | 86-03       | 4377047 | 48853    |
| B32                     | Ring, sealing (teflon)              | A470/A670 (input shaft)                   | 2/3  | 86-03       | 4377047 | 48853T   |
| D33                     | Ring, sealing (metal)               | A404/A413/A470/A670 (governor support)    | 3    | 78-03       | 5212092 | 48850    |
| D33                     | Ring, sealing (teflon)              | A404/A413/A470/A670 (governor support)    | 3    | 78-03       | 4269954 | 48850T   |
| B34                     | Ring, sealing (metal)               | A404/A413/A470/A670 (forward clutch drum) | 1    | 78-03       | 4269593 | 48851    |
| B34                     | Ring, sealing (teflon)              | A404/A413/A470/A670 (forward clutch drum) | 1    | 78-03       | 5205697 | 48851T   |
| E35                     | Ring, sealing (metal)               | inter servo guide/piston large            | 2    | 78-80       | 5212049 | 48852    |
| E35                     | Ring, sealing (metal)               | A413/A470/A670 (inter servo piston large) | 1    | 81-03       | 1636470 | 2936B    |
| E35                     | Ring, sealing (teflon)              | A413/A470/A670 (inter servo piston large) | 1    | 81-03       | 3743014 | 2936T    |
| E36                     | Ring, sealing (metal)               | A404/A413 (inter servo piston small)      | 1    | 78-80       | 1824541 | 2716A    |
| E36                     | Ring, sealing (metal)               | A413/A470/A670 (inter servo piston small) | 1    | 81-03       | 3410374 | 12851    |
| E36                     | Ring, sealing (teflon)              | A413/A470/A670 (inter servo piston small) | 1    | 81-03       | 3743033 | 12851T   |
| E37                     | Ring, sealing (metal)               | A404/A413/A470/A670 (accum piston large)  | 2    | 78-03       | 1315158 | 12770    |
| E37                     | Ring, sealing (teflon)              | A404/A413/A470/A670 (accum piston large)  | 2    | 78-03       | 3743013 | 12770T   |
| E38                     | Ring, sealing (metal)               | A404/A413/A470/A670 (accum piston small)  | 1    | 78-03       | 1941831 | 12853L   |
| E38                     | Ring, sealing (teflon)              | A404/A413/A470/A670 (accum piston small)  | 1    | 78-03       | 3743010 | 12853T   |
| <b>CLUTCH PLATES</b>    |                                     |   |      |             |         |          |
| B40                     | Friction .083" 4.887" od 47T        | direct clutch (waffle)                    | 2/4  | 78-03       | 5205675 | 48750A   |
| B41                     | Steel .065" 4.100" id 8T            | direct clutch                             | 3/4  | 78-80       | 5205677 | 48751    |
| B41                     | Steel .100" 4.100" id 8T            | direct clutch                             | 3/4  | 81-03       | 4207208 | 48751A   |
| C42                     | Friction .071" 4.887" 47T           | forward clutch                            | 2    | 78-80       | 5222185 | 48760B   |
| C42                     | Friction .071" 4.898" od49T         | forward clutch                            | 3/4  | 81-03       | 5224084 | 48760C   |
| C43                     | Steel .065" 4.100" id 8T            | forward clutch                            | 1    | 78-80       | 5205677 | 48751    |
| C43                     | Steel .068" 4.255" id 8T            | forward clutch                            | 2/3  | 81-03       | 5224073 | 48751B   |
| <b>PRESSURE PLATES</b>  |                                     |   |      |             |         |          |
| B44                     | Pressure plate .264"                | A404 (direct clutch)                      | 1    | 78-80       | 5205684 | 48565-R  |
| B44                     | Pressure plate .206"                | A413/A470 (direct clutch)                 | 1/2  | 81-86       | 4207209 | 48565B-R |
| B44                     | Pressure plate .186"                | A413/A470/A670 (direct clutch)            | 1    | 87-03       | 4348888 | 48565C-R |
| B45                     | Pressure plate .264"                | A404 (forward clutch)                     | 1    | 78-80       | 5205684 | 48565-R  |
| B45                     | Pressure plate .197"                | A413/A470/A670 (forward clutch)           | 1    | 81-03       | 5224072 | 48565A-R |
| B45                     | Pressure plate .264"                | A413/A470/A670 (forward clutch)           | 1    | 81-03       | 4269619 | 48565D-R |
| B46                     | Pressure plate .117" (beveled)      | A404 (forward clutch apply)               | 1    | 78-80       | 5205704 | 48564-R  |
| B46                     | Pressure plate .168" (beveled)      | A413/A470 (forward clutch apply)          | 1    | 81-83       | 4207181 | 48564A-R |
| B46                     | Pressure plate .122" (beveled)      | A413/A470/A670 (forward clutch apply)     | 1    | 84-03       | 4269618 | 48564B-R |
| <b>FILTERS</b>          |                                     |   |      |             |         |          |
| K9                      | Kit, filter                         | A404/A413 (neoprene/cork)                 | 1    | 78-82       | AE      | FK48776A |
| K9                      | Kit, filter (deep pan)              | A413/A470/A670 (neoprene/cork)            | 1    | 83-03       | AE      | FK48776B |
| K9                      | Kit, filter                         | A404/A413 (Duraprene®)                    | 1    | 78-82       | AE      | DK48776A |
| K9                      | Kit, filter (deep pan)              | A413/A470/A670 (Duraprene®)               | 1    | 83-03       | AE      | DK48776B |
| E48                     | Filter (dacron)                     | A404/A413                                 | 1    | 78-82       | 5212145 | 48776A   |
| E48                     | Filter (metal/plastic)(deep pan)    | A413/A470/A670                            | 1    | 83-03       | 4269649 | 48776B   |
| n/i                     | Screen, filter                      | A404/A413/A470/A670 (governor)            | 1    | 78-03       | 5205839 | 48712    |
| n/i                     | Screen, filter                      | regulator (in valve body)                 | 1    | 78-03       | 3878313 | 48713    |

| ILL                                 | DESCRIPTION  | QTY | YEAR  | REFERENCE # | PART #   |
|-------------------------------------|--|-----|-------|-------------|----------|
| <b>BANDS</b>                        |  |     |       |             |          |
| A50                                 | Band, flex A404/A413/A470/A670 (intermediate)                        | 1   | 78-03 | 5212312     | 48905    |
| C51                                 | Band, flex A404/A413/A470/A670 (reverse)                             | 1   | 78-03 | 5205765     | 48820    |
| <b>BUSHINGS</b>                     |  |     |       |             |          |
| K13                                 | Kit, bushing A404/A413/A470/A670                                     | 1   | 78-06 | AE          | K48901   |
| A52                                 | Bushing (babbit) 38.113mm bore A404/A413/A470/A670 (pump body)       | 1   | 78-03 | 2466796     | 12502    |
| A53                                 | Bushing A404/A413/A470 (stator rear)                                 | 1   | 78-85 | 2801728     | 12503B   |
| A53                                 | Bushing A413/A470/A670 (stator rear)                                 | 1   | 86-03 | 4058635     | 48509    |
| A54                                 | Bushing direct clutch drum front (large)                             | 1   | 78-03 | 5222405     | 48504    |
| A55                                 | Bushing direct clutch drum rear (small)                              | 1   | 78-03 | 5222406     | 48505    |
| B56                                 | Bushing A404/A413/A470/A670 (front ring gear hub)                    | 1   | 78-03 | 5205728     | 48507    |
| C57                                 | Bushing A404/A413/A470/A670 (sun gear)                               | 2   | 78-03 | 5205735     | 48506    |
| C58                                 | Bushing (not in kit) A404/A413/A470/A670 (reverse drum)              | 1   | 78-03 | 5222137     | 48508    |
| E59                                 | Bushing A404/A413/A470/A670 (extension housing)                      | 1   | 78-03 | 5212223     | 48501    |
| <b>WASHERS/BEARINGS/RACES/SHIMS</b> |  |     |       |             |          |
| K14                                 | Kit, thrust washer A404  | 1   | 78-81 | AE          | K48951   |
| K14                                 | Kit, thrust washer A413/A470/A670                                    | 1   | 81-95 | AE          | K48951A  |
| K14                                 | Kit, thrust washer A413/A470/A670                                    | 1   | 96-03 | AE          | K48951B  |
| K14                                 | Washer kit front and rear planetary                                  | 1   | 78-03 | AE          | K48952   |
| A60                                 | Thrust washer (plastic) direct clutch to pump                        | 1   | 78-03 | 5205679     | 48700    |
| B61                                 | Thrust washer (plastic) direct drum forward drum                     | 1   | 78-03 | 5205680     | 48701    |
| B62                                 | Thrust washer front hub to forward drum                              | 1   | 78-03 | 5222493     | 48702    |
| C63                                 | Thrust washer (4 tabs) A404/A413 (front planetary front and rear)    | 2   | 78-81 | 5205724     | 48703    |
| C63                                 | Thrust washer (4 tabs) front planetary front and rear                | 2   | 81-95 | 5224066     | 48703A   |
| C63                                 | Thrust washer (5 tabs) A470/A670 (front planetary)                   | 2   | 96-03 | 4659163     | 48703B   |
| C64                                 | Thrust washer (4 tabs) rear planetary front and rear                 | 2   | 78-03 | 5205724     | 48703    |
| C65                                 | Race 29T inner (not in kit) TW to drive shell to thrust washer       | 2   | 78-81 | 5205737     | 48711    |
| C65                                 | Race 3T inner (not in kit) TW to drive shell to thrust washer        | 1   | 81-03 | 5224236     | 48711A   |
| C66                                 | Thrust washer .079" 1.98-2.03mm A404/A413/A470/A670 (output shaft)   | sel | 78-03 | 5224039     | 48710    |
| C66                                 | Thrust washer .085" 2.16-2.21mm A404/A413/A470/A670 (output shaft)   | sel | 78-03 | 5224040     | 48710A   |
| C66                                 | Thrust washer .093" 2.34-2.39mm A404/A413/A470/A670 (output shaft)   | sel | 78-03 | 5224041     | 48710B   |
| C68                                 | Thrust washer (fiber) A404/A413/A470/A670 (reverse drum to case)     | 1   | 78-03 | 5205772     | 48707    |
| D69                                 | Washer pinion shaft nut to driven gear                               | 2   | 78-03 | 5222010     | 48709-R  |
| DE96                                | Bearing, tapered (cone) 36mm id pinion shaft/differential            | 3/4 | 78-03 | 5222259     | 48761    |
| E96                                 | Bearing, tapered (cone) 41mm id A413/A470/A670 (differential/rear)   | 1   | 95-03 | 4504042     | 49768    |
| DE97                                | Race, tapered (cup) pinion shaft/differential                        | 3/4 | 78-03 | 5224301     | 48762    |
| E97                                 | Race, tapered (cup) A413/A470/A670 (differential/rear)               | 1   | 95-03 | 4504041     | 49767    |
| CE101                               | Bearing, tapered (cone) rear ring gear/drive transfer gear           | 2   | 78-03 | 5224300     | 48767    |
| CE102                               | Bearing, tapered (cup) rear ring gear/drive transfer gear            | 2   | 78-03 | 5224299     | 48768    |
| <b>PUMP PARTS AND PUMPS</b>         |  |     |       |             |          |
| A70                                 | Pump, assembly (w/lugged rotors) A404                                | 1   | 78-85 | AE          | 48200-R  |
| A70                                 | Pump, assembly (w/flats 2 ring/shaft) A413/A470                      | 1   | 86-03 | AE          | 48200A-R |
| A70                                 | Pump, assembly (w/flats 3 ring/shaft) A413/A470/A670                 | 1   | 87-03 | AE          | 48200B-R |
| A70                                 | Pump, assembly (w/flats 3 ring/shaft) A670                           | 1   | 00-03 | AE          | 48200C-R |
| A72                                 | Stator support A404/A413/A470  | 1   | 78-85 | AE          | 48300-R  |
| A72                                 | Stator support A413/A470/A670 (for 2 ring shaft)                     | 1   | 86-03 | AE          | 48300A-R |
| A72                                 | Stator support A413/A470/A670 (for 3 ring shaft)                     | 1   | 87-03 | AE          | 48300B-R |
| A74                                 | Rotor set (w/lugs) A404/A413/A470                                    | 1   | 78-85 | AE          | K48201   |
| A74                                 | Rotor set (w/milled flats) A413/A470/A670                            | 1   | 86-03 | AE          | K48201A  |
| <b>HARD PARTS</b>                   |  |     |       |             |          |
| B75                                 | Drum, forward clutch (w/shaft) A404/A413 (1 ring type)               | 1   | 78-85 | 5222400     | 48531-R  |
| B75                                 | Drum, forward clutch (w/shaft) A413/A470 (2 ring type)               | 1   | 86-90 | 4377106     | 48531A-R |
| B75                                 | Drum, forward clutch (w/shaft/3 clutch) A413/A470/A670 (3 ring type) | 1   | 87-03 | 4348397     | 48531B-R |
| B75                                 | Drum, forward clutch (w/shaft/4 clutch) A413/A470/A670 (3 ring type) | 1   | 87-03 | 4348397     | 48531C-R |

# A404•A413•A470•A670 (31TH)

A404•A413•A470•A670

| ILL                           | DESCRIPTION                                |  | QTY | YEAR  | REFERENCE # | PART #    |
|-------------------------------|--|--|-----|-------|-------------|-----------|
| <b>HARD PARTS (CONTINUED)</b> |  |  |     |       |             |           |
| A77                           | Drum, direct clutch                        | A404/A413                                  | 1   | 78-81 | 5269510     | 48560-R   |
| A77                           | Drum, direct clutch                        | A413/A470                                  | 1   | 81-85 | 5224316     | 48560A-R  |
| A77                           | Drum, direct clutch                        | A413/A470/A670                             | 1   | 86-87 | 4348911     | 48560B-R  |
| A77                           | Drum, direct clutch                        | A413/A470/A670                             | 1   | 88-03 | 4531116     | 48560C-R  |
| B84                           | Spring, diaphragm                          | A413/A470/A670 (fwd clutch piston cushion) | 1   | 78-03 | 5222397     | 48745     |
| B84                           | Spring, diaphragm                          | A413/A470/A670 (fwd clutch piston cushion) | 1   | 78-03 | 4207246     | 48745-R   |
| C91                           | Planetary, front                           | A413/A470/A670 (29T sun gear)              | 1   | 78-81 | 5222495     | 48730-R   |
| C91                           | Planetary, front                           | A413/A470/A670 (36T sun gear)              | 1   | 81-95 | 4348900     | 48730A-R  |
| C91                           | Planetary, front (5 pinions)               | A670 (36T sun gear)                        | 1   | 96-99 | 4659141     | 48730B-R  |
| C92                           | Planetary, rear                            | A404/A413/A470/A670                        | 1   | 78-03 | 5205740     | 48729-R   |
| C93                           | Gear, ring rear (w/bearing)                | A404/A413/A470/A670                        | 1   | 78-03 | 5222047     | 48749-R   |
| C94                           | Drum, reverse (w/cam)                      | A404                                       | 1   | 78-81 | 4207117     | 48156-R   |
| C94                           | Drum, reverse (w/cam)                      | A404/A413/A470/A670                        | 1   | 81-03 | 4207117     | 48156A-R  |
| D98                           | Retainer, bearing                          | A404/A413 (pinion shaft with 2 O'rings)    | 1   | 78-82 | 5222120     | 48763-R   |
| D98                           | Retainer, bearing                          | A413/A470/A670 (pinion shaft w/1 O'ring)   | 1   | 83-03 | 4269688     | 48763A-R  |
| E100                          | Differential hsg 8 bolt (w/spider gears)   | A404/A413/A470                             | 1   | 78-86 | 4269768     | 48780-R   |
| E100                          | Differential hsg 12 bolt (w/spider gears)  | A413/A470/A670                             | 1   | 86-94 | 4567829     | 48780A-R  |
| E100                          | Differential hsg 12 bolt (w/spider gears)  | A413/A470/A670 (w/large rear bearing)      | 1   | 95-00 | A670        | 48780B-R  |
| E100                          | Differential 12 bolt (w/grs/pin retainers) | A413/A470/A670 (w/large rear bearing)      | 1   | 00-03 | A670        | 48780C-R  |
| D104                          | Support, governor                          | A404/A413/A470/A670                        | 1   | 78-03 | 5212249     | 48758-R   |
| D105                          | Sleeve, oil delivery                       | A404/A413/A470/A670                        | 1   | 78-03 | 5212371     | 48759-R   |
| C107                          | Drive shell w/sun gear                     | A470/A670                                  | 1   | 81-03 | 4207195     | 48728A-R  |
| C108                          | Shaft, output 6 1/4" long                  | A404/A413                                  | 1   | 78-81 | 5222401     | 48738-R   |
| C108                          | Shaft, output 6 1/2" long                  | A413/A470/A670                             | 1   | 81-03 | 4348932     | 48739-R   |
| D113                          | Shaft, pinion (w/8 bolt ring gear)         | A404/A413 (ring gr w/pinion shaft)(E113)   | 1   | 78-81 | AE          | K48770-R  |
| D113                          | Shaft, pinion (w/12 bolt ring gear)        | A413/A470/A670 (ring gr w/pin shaft)(E113) | 1   | 82-03 | AE          | K48770A-R |
| D115                          | Governor, assembly                         | A404/A413/A470/A670                        | 1   | 78-03 | 4207055     | 48410-R   |
| n/i                           | Race, one way clutch (bolt in replacement) | A404/A413/A470/A670                        | 1   | 81-03 | MA40702     | K48961    |
| n/i                           | Stabilizer, axle bearing type              | A404/A413/A470/A670                        | 1   | 78-03 | 32125LRB    | 48731B    |
| n/i                           | Brackets, spider pin                       | A404/A413/A470/A670                        | 1   | 78-03 | 604-CB      | K49975    |
| n/i                           | Piston, accumulator (aluminum)             | A404 (in case)                             | 1   | 78-03 | 3743650     | 12703-R   |
| <b>ELECTRICAL COMPONENTS</b>  |  |  |     |       |             |           |
| n/i                           | Solenoid                                   | A670 (lock-up/TCC)                         | 1   | 87-03 | 4377005     | 15A-300   |
| n/i                           | Switch, neutral safety 3 prongs (short)    | A404/A413/A470/A670 (short)                | 1   | 78-03 | 4057750     | 15A-627C  |
| <b>SPRAGS</b>                 |  |  |     |       |             |           |
| C79                           | Kit, spring/roller (8 rollers/8 springs)   | A404/A413/A470/A670 (overrun clutch)       | 1   | 78-03 | 4186886     | K48960    |
| <b>NOTES</b>                  |  |  |     |       |             |           |
|                               |  |  |     |       |             |           |
|                               |  |  |     |       |             |           |
|                               |  |  |     |       |             |           |
|                               |  |  |     |       |             |           |
|                               |  |  |     |       |             |           |
|                               |  |  |     |       |             |           |
|                               |  |  |     |       |             |           |
|                               |  |  |     |       |             |           |
|                               |  |  |     |       |             |           |
|                               |  |  |     |       |             |           |
|                               |  |  |     |       |             |           |
|                               |  |  |     |       |             |           |
|                               |  |  |     |       |             |           |
|                               |  |  |     |       |             |           |
|                               |  |  |     |       |             |           |





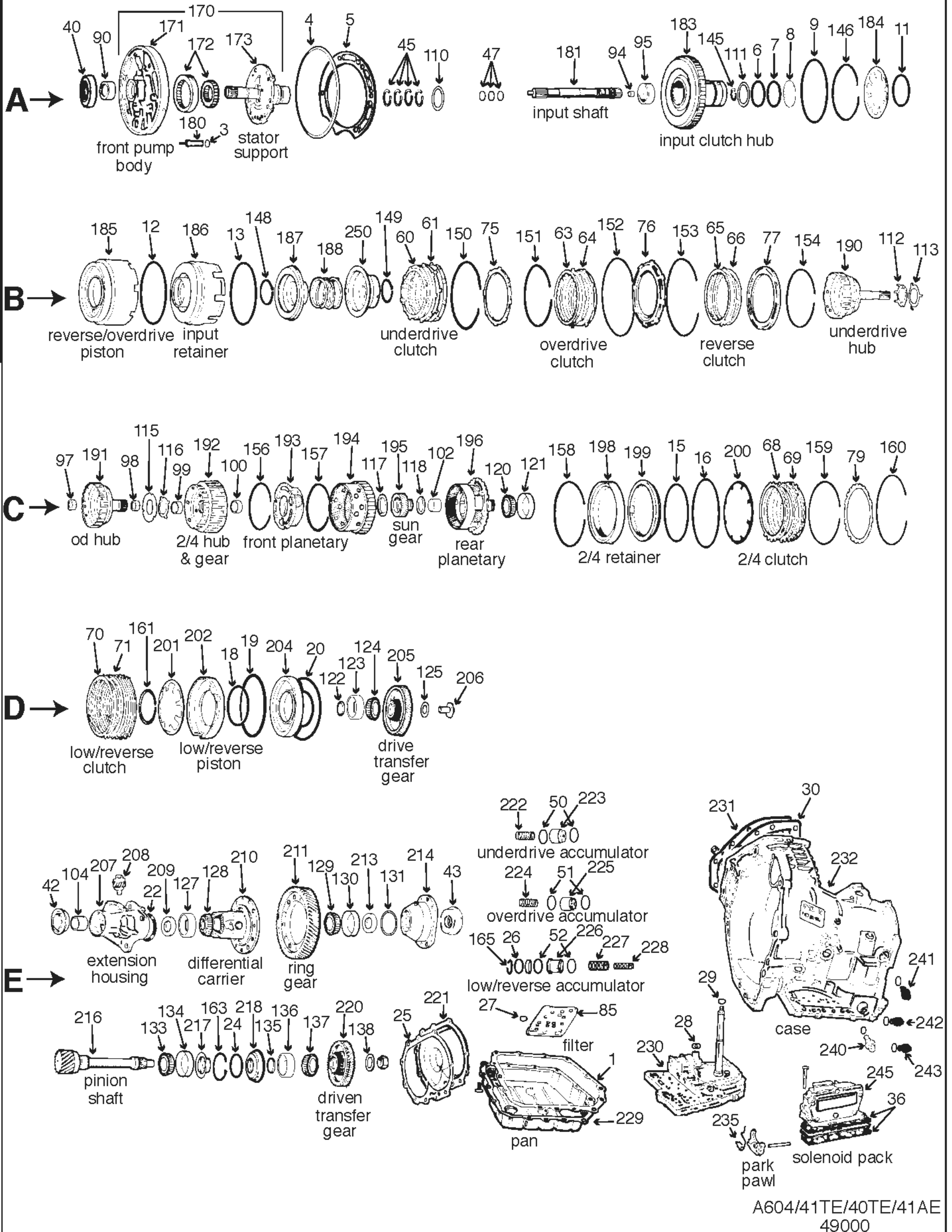
Our Enhanced AW 55-50 Solenoids provide better performance and can save you money.

They're just the beginning of a whole new generation of solenoids that will change the industry.

*Rostra Performance Class*  
**ENHANCED LINEAR SOLENOIDS**

Over 200 electronic parts covering more than 500 different vehicle applications

**Rostra**



| ILL                                  | DESCRIPTION                             | QTY | YEAR  | REFERENCE # | PART #    |
|--------------------------------------|---|-----|-------|-------------|-----------|
| <b>TECHNICAL MANUALS</b>             |   |     |       |             |           |
| K53                                  | Tech manual A604 dis/assembly           | 1   | 89-08 | 83-604TM    | 010-106   |
| K53                                  | Update handbook changes 1989-April 1991 | 1   | 89-91 | 83-604TM-U1 | 010-107   |
| K53                                  | Code book 41TE/42LE                     | 1   | 89-02 | 41TE42LE    | 010-009   |
| <b>REBUILDER KITS</b>                |   |     |       |             |           |
| K4                                   | Master deluxe rebuild kit               | 1   | 89-03 | AE          | K4900-R   |
| K4                                   | Master deluxe rebuild kit               | 1   | 04-06 | AE          | K4900A-R  |
| K4                                   | Master deluxe rebuild kit               | 1   | 07-10 | AE          | K4900B-R  |
| K4                                   | Master deluxe rebuild kit               | 1   | 07-10 | AE          | K4900C-R  |
| K5                                   | Master kit w/steels                     | 1   | 89-03 | AE          | K4900     |
| K5                                   | Master kit w/steels                     | 1   | 04-06 | AE          | K4900A    |
| K5                                   | Master kit w/steels                     | 1   | 07-10 | AE          | K4900B    |
| K5                                   | Master kit w/steels                     | 1   | 07-10 | AE          | K4900C    |
| K6                                   | Master kit w/o steels                   | 1   | 89-03 | AE          | K4900-LS  |
| K6                                   | Master kit w/o steels                   | 1   | 04-06 | AE          | K4900A-LS |
| K6                                   | Master kit w/o steels                   | 1   | 07-10 | AE          | K4900B-LS |
| K6                                   | Master kit w/o steels                   | 1   | 07-10 | AE          | K4900C-LS |
| K7                                   | O/H gasket set w/seals-rings            | 1   | 89-03 | AE          | K49900    |
| K7                                   | O/H gasket set w/seals-rings            | 1   | 04-06 | AE          | K49900A   |
| K7                                   | O/H gasket set w/seals-rings            | 1   | 07-10 | AE          | K49900B   |
| K7                                   | O/H gasket set w/seals-rings            | 1   | 07-10 | AE          | K49900C   |
| K11                                  | Gasket and seal kit                     | 1   | 89-03 | AE          | K49900-1  |
| K11                                  | Gasket and seal kit                     | 1   | 04-10 | AE          | K49900A-1 |
| K8                                   | External seal kit                       | 1   | 89-06 | AE          | K49900-2  |
| K8                                   | External seal kit                       | 1   | 07-10 | AE          | K49900B-2 |
| K28                                  | Kit, accumulator O'rings                | 1   | 89-10 | AE          | K49900-3  |
| <b>VALVE BODY KITS</b>               |   |     |       |             |           |
| K15                                  | Shift Kit® fix limp in/no up shift      | 1   | 89-10 | SK® 604     | K49908A   |
| <b>GASKETS AND RUBBER COMPONENTS</b> |   |     |       |             |           |
| E1                                   | Gasket, oil pan                         | 1   | 89-10 | n/a         | 13001X    |
| E1                                   | Gasket, oil pan                         | 1   | 89-10 | n/a         | 13001D    |
| A3                                   | O'ring                                  | 1   | 91-10 | n/a         | 13026     |
| A4                                   | Seal, lathe cut                         | 1   | 89-10 | 5205660     | 13721     |
| A5                                   | Gasket                                  | 1   | 89-10 | 4412844     | 23398     |
| A6                                   | O'ring .070" (orange)                   | 1   | 89-90 | 6502272     | 23272     |
| A6                                   | O'ring .103" (blue)                     | 1   | 90-10 | 6502271     | 23805     |
| A7                                   | O'ring .070" (green)                    | 1   | 89-90 | 6502270     | 23804     |
| A7                                   | O'ring .103" (red)                      | 1   | 90-10 | 6502269     | 23806     |
| A8                                   | Lip seal                                | 1   | 89-10 | 4659319     | 23195     |
| A9                                   | Lip seal                                | 2   | 89-10 | 4659056     | 23875     |
| A11                                  | O'ring                                  | 1   | 89-10 | 6033158     | 23858     |
| B13                                  | Lip seal                                | 1   | 89-89 | 4377173     | 23199     |
| B13                                  | Lip seal                                | 1   | 90-10 | 4659891     | 23221     |
| C15                                  | D'ring                                  | 1   | 89-10 | 4659376     | 23246     |
| C16                                  | D'ring                                  | 1   | 89-10 | 4659374     | 23245     |
| D18                                  | D'ring                                  | 1   | 89-10 | 4659856     | 23197     |
| D19                                  | D'ring                                  | 1   | 89-10 | 4659855     | 23196     |
| D20                                  | Gasket                                  | 1   | 89-10 | 4431649     | 13028     |
| E22                                  | O'ring                                  | 1   | 89-90 | n/a         | 13736     |
| E24                                  | O'ring                                  | 1   | 89-10 | 6501768     | 23037     |
| E25                                  | Gasket, rear cover                      | 1   | 89-10 | n/a         | 13003X    |
| E25                                  | Gasket, rear cover                      | 1   | 89-10 | n/a         | 13003D    |
| E27                                  | O'ring                                  | 1   | 89-10 | 6032780     | 13007     |
| E28                                  | Seal                                    | 1   | 89-10 | 4412291     | 23506     |



# 604•A604 (41TE)•40TE•41AE

A604•40TE•41AE

| ILL  | DESCRIPTION                         |  | QTY | YEAR  | REFERENCE # | PART #      |
|--|-------------------------------------|--|-----|-------|-------------|-------------|
| <b>GASKETS AND RUBBER COMPONENTS (CONTINUED)</b> |                                     |  |     |       |             |             |
| E29  | Seal                                | manual lever shaft to case                 | 1   | 89-10 | 4412836     | 23500       |
| E30  | Gasket, differential cover          | neoprene/cork                              | 1   | 89-10 | n/a         | 13002X      |
| E30  | Gasket, differential cover          | Duraprene®                                 | 1   | 89-10 | n/a         | 13002D      |
| E36  | Gasket                              | solenoid pack to spacer plate to case      | 2   | 89-99 | 4505589     | 23798       |
| E36  | Gasket                              | solenoid pack to case                      | 1   | 00-10 | 4659982     | 23798A      |
| E51  | O'ring                              | accumulator cover to case                  | 1   | 89-10 | 6501549     | 23025       |
| n/i  | O'ring                              | input speed sensor                         | 1   | 89-97 | 6501700     | 23801       |
| n/i  | O'ring (teflon coated/green)        | input speed sensor                         | 1   | 98-10 | n/a         | 13766       |
| n/i  | O'ring                              | output speed sensor                        | 1   | 89-97 | 6501701     | 23118       |
| n/i  | O'ring (2 green stripes)            | output speed sensor                        | 1   | 98-10 | 6501658AB   | 23020A      |
| n/i  | O'ring                              | check valve capsule in VB to spacer plate  | 1   | 89-10 | n/a         | 13918       |
| n/i  | O'ring                              | filler tube to case                        | 1   | 89-10 | 6030608     | 3291L       |
| n/i  | O'ring                              | water inlet pipe                           | 1   | 89-97 | n/a         | 13919       |
| n/i  | Seal                                | manual valve sensor to case not all models | 1   | 96-99 | n/a         | 13031       |
| n/i  | Seal                                | manual valve sensor to case oversize       | ar  | 96-99 | 5013863AA   | 13031X      |
| n/i  | Seal                                | manual valve sensor to case                | 1   | 00-10 | n/a         | 13039       |
| n/i  | Ball, check .250" od (viton)        | A604/41TE/41AE                             | 4   | 89-10 | 4446602     | 13924       |
| n/i  | Seal                                | solenoid/connector                         | 1   | 89-10 | n/a         | 13032       |
| n/i  | Washer                              | pump bolt                                  | 5   | 89-10 | n/a         | 13033       |
| n/i  | Washer                              | neutral safety switch                      | 1   | 89-96 | 2408143     | 13035       |
| n/i  | Washer                              | range switch (PRNDL)                       | 1   | 89-96 | 5234023     | 13038       |
| <b>METAL CLAD SEALS</b>                          |                                     |  |     |       |             |             |
| A40  | Seal, metal clad                    | front                                      | 1   | 07-10 | B37097      | 20161-30104 |
| A40  | Seal, metal clad 2.253"x1.450x.380" | front                                      | 1   | 89-06 | 4269057     | 12575A      |
| E42  | Seal, metal clad 2.290x1.510x.354"  | right/left axle                            | 2   | 89-10 | 4412522     | 48576       |
| E42  | Seal, metal clad (not in kit)       | left axle w/shallow depth                  | 1   | 98-10 | 4762418AB   | 48576A      |
| <b>SEALING RINGS</b>                             |                                     |  |     |       |             |             |
| K10  | Kit, sealing ring                   | 15 rings                                   | 1   | 89-10 | AE          | K49950      |
| A45  | Ring, sealing (nickel plated)       | stator                                     | 4   | 88-10 | 4471874     | 49800       |
| A47  | Ring, sealing (teflon)              | input shaft                                | 3   | 89-10 | 4446543     | 49801T      |
| E50  | Ring, sealing (teflon)              | underdrive/overdrive/low/rev accum piston  | 8   | 89-10 | 4446544     | 49802       |
| <b>CLUTCH PLATES</b>                             |                                     |  |     |       |             |             |
| B60  | Friction .071" 5.432" od 28T        | underdrive clutch                          | 4   | 89-10 | 4659635     | 49105       |
| B61  | Steel .067" 4.500" id 8T            | underdrive clutch                          | 4   | 89-10 | 4659053     | 49104       |
| B63  | Friction .086" 5.432" od 28T        | overdrive clutch                           | 3   | 89-89 | 4377137     | 49101       |
| B64  | Steel .101" 4.500" id 8T            | overdrive clutch                           | 2   | 89-89 | 4377190     | 49102       |
| B64  | Steel .067" 4.500" id 8T            | overdrive clutch                           | 3   | 90-10 | 4659053     | 49104       |
| B65  | Friction .071" 5.432" od 28T        | reverse clutch                             | 2   | 89-10 | 4659635     | 49105       |
| B66  | Steel .067" 4.500" id 8T            | reverse clutch                             | 1   | 89-10 | 4659653     | 49104       |
| C68  | Friction .086" 6.065" od 31T        | 2nd/4th clutch                             | 1   | 89-10 | 4799860AA   | 49107       |
| C69  | Steel .101" 5.250" id 14T           | 2nd/4th clutch                             | 4   | 89-10 | 4659054     | 49106       |
| D70  | Friction .072" 6.063" od 32T        | low/reverse clutch                         | 5   | 89-10 | 4377134     | 49103       |
| D71  | Steel .067" 5.250" id 14T           | low/reverse clutch                         | 5   | 89-10 | 4659055     | 49100       |
| n/i  | Kit, power pack                     | overdrive clutch                           | 4   | 89-96 | APC-77757   | K49105A     |
| n/i  | Kit, case saver                     | low/reverse clutch                         | 1   | 89-10 | APC-077758  | K49103      |
| <b>PRESSURE PLATES</b>                           |                                     |  |     |       |             |             |
| B78  | Pressure plate .217" w/o snap ring  | underdrive (4 clutch drum)                 | sel | 90-10 | 4723684X    | 49185-R     |
| B78  | Pressure plate .236" w/o snap ring  | underdrive (4 clutch drum)                 | sel | 90-10 | 4723683X    | 49185A-R    |
| B78  | Pressure plate .255" w/o snap ring  | underdrive (4 clutch drum)                 | sel | 90-10 | 4723682X    | 49185B-R    |
| B78  | Pressure plate .275" w/o snap ring  | underdrive (4 clutch drum)                 | sel | 90-10 | 4723681X    | 49185C-R    |
| B76  | Pressure plate (8 lug)              | overdrive clutch                           | 1   | 89-90 | 4377191     | 49191-R     |
| B76  | Pressure plate (4 lug)              | overdrive clutch                           | 1   | 91-10 | 4531556     | 49191A-R    |
| B77  | Pressure plate                      | reverse clutch                             | 1   | 89-10 | 4377194     | 49194-R     |

| ILL                                 | DESCRIPTION                           | QTY                                       | YEAR | REFERENCE # | PART #    |         |
|-------------------------------------|---------------------------------------|---|------|-------------|-----------|---------|
| <b>PRESSURE PLATES (CONTINUED)</b>  |                                       |   |      |             |           |         |
| C79                                 | Pressure plate                        | low/reverse clutch                        | sel  | 89-10       | 4412265   | 49265-R |
| n/i                                 | Kit, pressure plate .217" w/snap ring | underdrive (4 clutch drum)                | sel  | 90-10       | 4723684   | K49185  |
| n/i                                 | Kit, pressure plate .236" w/snap ring | underdrive (4 clutch drum)                | sel  | 90-10       | 4723683   | K49185A |
| n/i                                 | Kit, pressure plate .255" w/snap ring | underdrive (4 clutch drum)                | sel  | 90-10       | 4723682   | K49185B |
| n/i                                 | Kit, pressure plate .275" w/snap ring | underdrive (4 clutch drum)                | sel  | 90-10       | 4723681   | K49185C |
| <b>FILTERS</b>                      |                                       |   |      |             |           |         |
| K9                                  | Kit, filter                           | neoprene/cork                             | 1    | 89-10       | AE        | FK49776 |
| K9                                  | Kit, filter                           | Duraprene®                                | 1    | 89-10       | AE        | DK49776 |
| E85                                 | Filter                                | A604/41TE/41AE                            | 1    | 89-10       | 4504048   | 49776   |
| n/i                                 | Screen, filter                        | regulator (in valve body)                 | 1    | 89-10       | 3878313   | 48713   |
| n/i                                 | Screen, filter                        | overdrive orifice                         | 1    | 89-10       | 4531903   | 48714   |
| n/i                                 | Screen, filter                        | low/reverse orifice                       | 1    | 89-03       | 4446629   | 49714   |
| <b>BUSHINGS</b>                     |                                       |   |      |             |           |         |
| K13                                 | Kit, bushing                          | A604                                      | 1    | 89-95       | AE        | K49905  |
| K13                                 | Kit, bushing                          | A604                                      | 1    | 96-10       | AE        | K49905A |
| A90                                 | Bushing (babbit) 38.113mm bore        | pump body                                 | 1    | 89-10       | 2466796   | 12502   |
| A90                                 | Bushing (bronze)                      | pump body                                 | 1    | 89-08       | 2466796   | 12502A  |
| A94                                 | Bushing .590" od                      | input shaft                               | 1    | 89-01       | 4212211   | 49002   |
| A94                                 | Bushing .603" od                      | input shaft                               | 1    | 01-10       | 4212211AB | 49002A  |
| A95                                 | Bushing                               | input clutch hub                          | 1    | 89-10       | 4377570   | 49003   |
| C98                                 | Bushing                               | overdrive clutch hub                      | 2    | 89-95       | 4412219   | 49004   |
| C98                                 | Bushing                               | overdrive clutch hub                      | 2    | 96-10       | 4659617   | 49004A  |
| C99                                 | Bushing                               | 2nd/4th clutch hub                        | 2    | 89-95       | 4412222   | 49005   |
| C99                                 | Bushing                               | 2nd/4th clutch hub                        | 2    | 96-10       | 4659619   | 49005A  |
| C102                                | Bushing                               | rear planetary                            | 1    | 89-10       | 4412230   | 49006   |
| E104                                | Bushing                               | extension housing                         | 1    | 89-10       | 4269961   | 48501   |
| <b>WASHERS/BEARINGS/RACES/SHIMS</b> |                                       |   |      |             |           |         |
| K12                                 | Kit, thrust bearing                   | A604/41TE                                 | 1    | 89-10       | AE        | K49906  |
| K14                                 | Kit, thrust washer                    | w/popular selectives (no races)           | 1    | 89-10       | AE        | K49600  |
| A110                                | Bearing, thrust                       | stator to input clutch hub                | 1    | 89-10       | 4412209   | 49633   |
| A111                                | Bearing, thrust                       | input clutch hub to underdrive clutch hub | 1    | 89-10       | 4567262   | 49635   |
| B112                                | Thrust washer (5 tabs)                | underdrive clutch hub to race             | 1    | 89-10       | 4471855   | 49625   |
| B113                                | Race (3 tabs)                         | thrust washer to overdrive hub            | 1    | 89-10       | 4431973   | 49621   |
| C115                                | Race .093-1.00mm (3 slots)            | overdrive clutch hub to thrust washer     | sel  | 89-10       | 4331662   | 49622   |
| C115                                | Race 1.37-1.44mm (3 slots)            | overdrive clutch hub to thrust washer     | sel  | 89-10       | 4431664   | 49622A  |
| C115                                | Race 1.81-1.88mm (3 slots)            | overdrive clutch hub to thrust washer     | sel  | 89-10       | 4431666   | 49622B  |
| C115                                | Race 2.25-2.32mm (3 slots)            | overdrive clutch hub to thrust washer     | sel  | 89-10       | 4431668   | 49622C  |
| C115                                | Race 2.47-2.54mm (3 slots)            | overdrive clutch hub to thrust washer     | sel  | 89-10       | 4431669   | 49622D  |
| C115                                | Race 2.91-2.98mm (3 slots)            | overdrive clutch hub to thrust washer     | sel  | 89-10       | 4431671   | 49622E  |
| C115                                | Race 3.25-3.42mm (3 slots)            | overdrive clutch hub to thrust washer     | sel  | 89-10       | 4446601   | 49622F  |
| C116                                | Thrust washer (4 tabs)                | race to 2nd/4th clutch hub                | 1    | 89-10       | 4412216   | 49627   |
| C117                                | Bearing, thrust                       | front planetary to rear sun gear          | 1    | 89-10       | 4412229AB | 49638   |
| C118                                | Bearing, thrust                       | rear sun gear to rear planetary           | 1    | 89-93       | 4412209   | 49633   |
| C118                                | Bearing, thrust                       | rear sun gear to rear planetary           | 1    | 94-10       | 4567262   | 49635   |
| C120                                | Bearing, tapered (cone) 36mm id       | rear planetary to race                    | 1    | 89-10       | 4504013   | 48761   |
| C121                                | Race, tapered (cup)                   | rear planetary bearing to case            | 1    | 89-10       | 4504012   | 48762   |
| D123                                | Race, tapered (cup)                   | case to bearing (drive gear)              | 1    | 89-10       | 4504043   | 49763   |
| D124                                | Bearing, tapered (cone)               | race to drive gear                        | 1    | 89-10       | 4504044   | 49764   |
| D125                                | Washer                                | drive gear to bolt                        | 1    | 89-10       | 6501832   | 49629   |
| E127                                | Race, tapered (cup)                   | diff left/right side (36mm id bearing)    | 2    | 89-10       | 4504012   | 48762   |
| E127                                | Race, tapered (cup)                   | AWD diff right side (46mm id bearing)     | 1    | 91-10       | n/a       | 48764   |
| E127                                | Race, tapered (cup)                   | differential left side (41mm id bearing)  | 1    | 95-10       | 4504041   | 49767   |
| E128                                | Bearing, tapered (cone) 41mm id       | differential left side                    | 1    | 95-10       | 4504042   | 49768   |

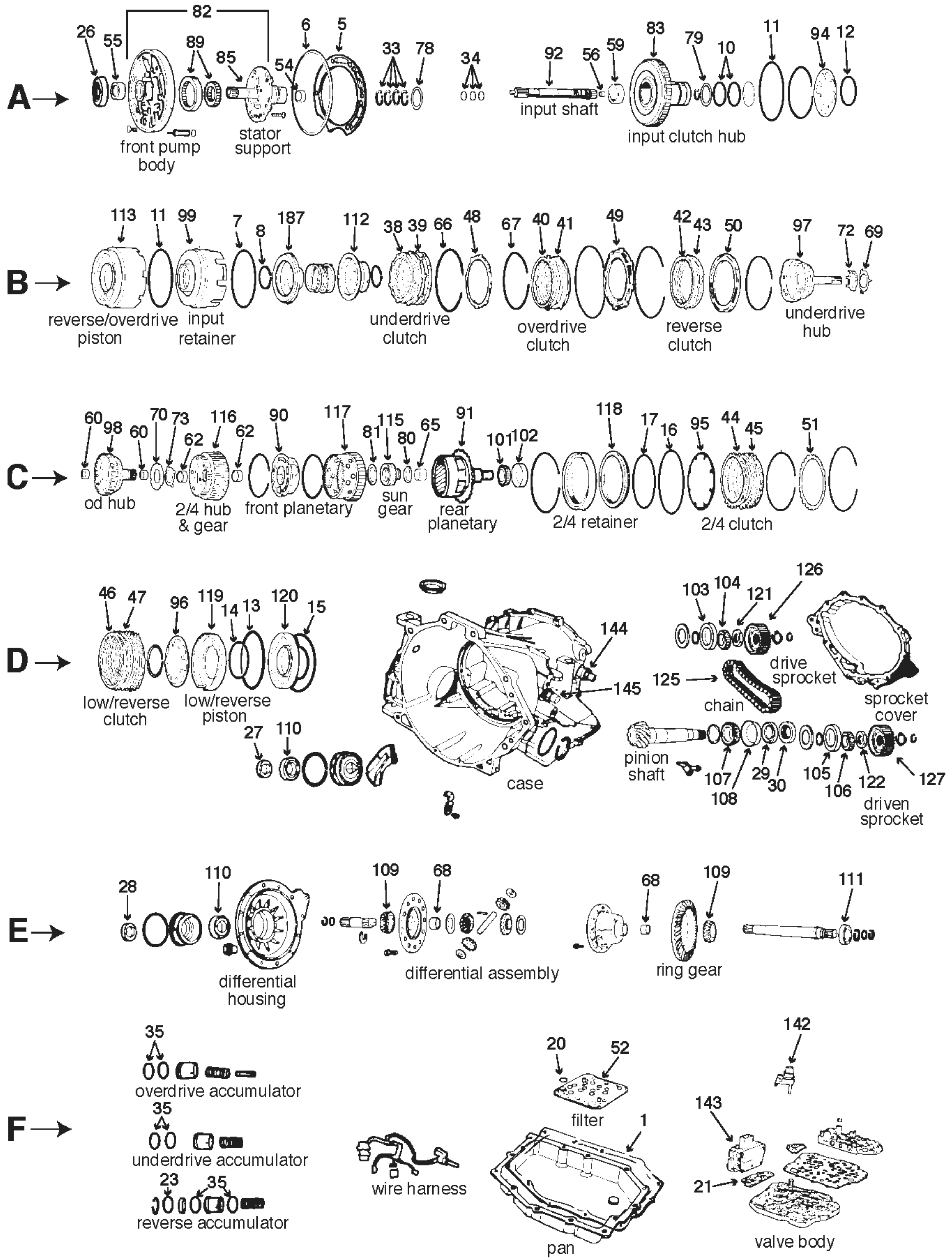
# 604•A604 (41TE)•40TE•41AE

A604•40TE•41AE

| ILL   | DESCRIPTION  | QTY | YEAR  | REFERENCE # | PART #   |
|---|--|-----|-------|-------------|----------|
| <b>WASHERS/BEARINGS/RACES/SHIMS (CONTINUED)</b> |  |     |       |             |          |
| E128  | Bearing, tapered (cone) 36mm id differential left/right side           | 2   | 89-10 | 4504013     | 48761    |
| E128  | Bearing, tapered (cone) 46mm id AWD differential right side            | 1   | 91-10 | 4567382     | 49769    |
| E133  | Bearing, tapered (cone) pinion shaft to race                           | 1   | 89-10 | 4471868     | 49765    |
| E134  | Race, tapered (cup) pinion shaft bearing to case                       | 1   | 89-10 | 4471867     | 49766    |
| E136  | Race, tapered (cup) pinion shaft driven gear                           | 1   | 89-10 | 4504041     | 49767    |
| E137  | Bearing, tapered (cone) 41mm id race to driven gear                    | 1   | 89-10 | 4504042     | 49768    |
| <b>SNAP RINGS</b>                               |  |     |       |             |          |
| A145  | Snap ring .061" 1.030" od (round wire) input shaft in input clutch hub | 1   | 89-10 | 6501702     | 49321    |
| A146  | Snap ring .060" 5.326" od reverse/overdrive piston                     | 1   | 89-10 | 4412203     | 49322    |
| B148  | Snap ring .095" 2.594" od (tru-ark) input retainer                     | 1   | 89-10 | 6507226AA   | 49323    |
| B149  | Snap ring .077" 2.285" od (tru-ark) underdrive retainer                | 1   | 89-10 | 6501715     | 49324    |
| B150  | Snap ring .060" 5.956" od underdrive pressure plate (bottom)           | 1   | 89-10 | 4412307     | 49310C   |
| B151  | Snap ring .070" (tapered/red) underdrive pressure plate (top)          | 1   | 89-90 | 4377189     | 49310    |
| B151  | Snap ring .065" 6.875" od waved (blue) underdrive pressure plate (top) | 1   | 91-92 | 4531411     | 49310A   |
| B151  | Snap ring .075" 6.330" od (turquoise) underdrive pressure plate (top)  | 1   | 93-10 | 4567602     | 49310B   |
| B152  | Snap ring .061" 6.875" od overdrive clutch                             | 1   | 89-10 | 6505621     | 49326    |
| B153  | Snap ring .069" reverse clutch   | 1   | 89-10 | 4531411     | 49327    |
| B154  | Snap ring .090" 4.720" od reverse clutch                               | 1   | 89-10 | 4412873     | 49328    |
| C156  | Snap ring .062" 4.719" od front planetary                              | 1   | 89-10 | 6035238     | 49332    |
| C157  | Snap ring .062" 4.719" od front planetary                              | 1   | 89-10 | 6035238     | 49332    |
| C158  | Snap ring .061" 7.010" od 2/4 retainer                                 | 1   | 89-10 | 4505591     | 49329    |
| C159  | Snap ring .068" 7.010" od 2/4 clutch                                   | 1   | 89-10 | 4799858AA   | 49330    |
| C160  | Snap ring .040" 2/4 pressure plate                                     | 1   | 89-10 | 4412395     | 49331    |
| D161  | Snap ring .090" 3.487" od low/reverse retainer                         | 1   | 89-10 | 4412873     | 49334    |
| n/i   | Kit, snap ring 20 pieces (complete)                                    | 1   | 89-10 | 77680       | K49320   |
| n/i   | Kit, snap ring 10 pieces (popular)                                     | 1   | 89-96 | 77681       | K49321   |
| n/i   | Kit, snap ring 8 pieces (popular)                                      | 1   | 97-10 | 77681A      | K49321A  |
| <b>PUMP PARTS AND PUMPS</b>                     |  |     |       |             |          |
| A170  | Pump assembly (3 ring) first design                                    | 1   | 89-89 | 4740075     | 49200-R  |
| A170  | Pump assembly (4 ring) second design                                   | 1   | 90-00 | 4567869     | 49200A-R |
| A170  | Pump assembly (4 ring) third design                                    | 1   | 01-10 | n/a         | 49200B-R |
| A172  | Gear set .708" A604•40TE•41AE  | 1   | 89-00 | AE          | K49201   |
| A172  | Gear set .495" A604•40TE•41AE  | 1   | 01-10 | AE          | K49201A  |
| A173  | Stator (3 ring) A604•40TE•41AE   | 1   | 89-89 | AE          | 49300-R  |
| A173  | Stator (4 ring) A604•40TE•41AE   | 1   | 90-10 | AE          | 49301-R  |
| <b>HARD PARTS</b>                               |  |     |       |             |          |
| A181  | Shaft, input (24 splines) 3.0L/3.3L                                    | 1   | 89-90 | 4504047     | 49751-R  |
| A181  | Shaft, input (22 splines) 2.5L   | 1   | 90-10 | 4649223     | 49752-R  |
| A183  | Hub, input clutch A604 (41TE)  | 1   | 89-90 | 4531655     | 49700-R  |
| A183  | Hub, input clutch A604 (41TE)  | 1   | 91-10 | 4531637     | 49701-R  |
| A184  | Spring, diaphragm overdrive/reverse clutch                             | 1   | 89-10 | 4412202     | 49745-R  |
| B185  | Piston (8 slot) reverse/overdrive                                      | 1   | 89-90 | 4431613     | 49731-R  |
| B185  | Piston (4 slots) reverse/overdrive                                     | 1   | 91-10 | 4531910     | 49732-R  |
| B186  | Retainer, input clutch A604/41TE/41AE                                  | 1   | 89-89 | 4431609     | 49725-R  |
| B186  | Retainer, input clutch A604/41TE/41AE                                  | 1   | 90-10 | 4505623     | 49726-R  |
| B187  | Piston, underdrive .550" A604/41TE/41AE                                | 1   | 89-02 | 4431611     | 49739    |
| B187  | Piston, underdrive .700" A604/41TE/41AE                                | 1   | 03-10 | 4800232AA   | 49739A   |
| B190  | Hub, w/shaft underdrive clutch   | 1   | 89-10 | 4431615     | 49727-R  |
| C191  | Hub, w/shaft 1.142" shaft diameter overdrive clutch                    | 1   | 89-95 | 4567985     | 49728-R  |
| C191  | Hub, w/shaft 1.162" shaft diameter overdrive clutch                    | 1   | 96-10 | 4659615     | 49728A   |
| C191  | Hub, w/shaft 1.162" shaft diameter overdrive clutch                    | 1   | 96-10 | 4659615     | 49728A-R |
| C192  | Hub, w/gear 1.144" inside bushing 2nd/4th clutch                       | 1   | 89-95 | 4431622     | 49729-R  |
| C192  | Hub, w/gear 1.164" inside bushing 2nd/4th clutch                       | 1   | 96-10 | 4659618     | 49729A   |



| ILL                           | DESCRIPTION                               |                                   | QTY | YEAR  | REFERENCE # | PART #    |
|-------------------------------|---|-----------------------------------|-----|-------|-------------|-----------|
| <b>HARD PARTS (CONTINUED)</b> |   |                                   |     |       |             |           |
| C192                          | Hub, w/gear 1.164" inside bushing         | 2nd/4th clutch                    | 1   | 96-10 | 4659618     | 49729A-R  |
| C193                          | Planetary, front                          | A604 (41TE)                       | 1   | 89-10 | 4567539     | 49735     |
| C193                          | Planetary, front                          | A604 (41TE)                       | 1   | 89-10 | 4567539     | 49735-R   |
| C194                          | Gear, ring                                | rear                              | 1   | 89-10 | 4377082     | 49730-R   |
| D195                          | Sun gear                                  | rear                              | 1   | 89-10 | 4377080     | 49737     |
| D195                          | Sun gear                                  | rear                              | 1   | 89-10 | 4377080     | 49737-R   |
| C196                          | Planetary, rear (4 pinions)               | 1.125" shaft                      | 1   | 91-00 | 4897329-AA  | 49736A    |
| C196                          | Planetary, rear                           | 1" shaft                          | 1   | 89-91 | 4431638     | 49736-R   |
| C196                          | Planetary, rear (4 pinions)               | 1.125" shaft                      | 1   | 91-00 | 4897329     | 49736A-R  |
| C196                          | Planetary, rear (5 pinions)               | 1.125" shaft                      | 1   | 01-10 | 5014200-AA  | 49736B-R  |
| C199                          | Piston, 2nd/4th aluminum (uses O'rings)   | A604 (41TE)                       | 1   | 89-03 | AE          | 49738-R   |
| C200                          | Spring, diaphragm                         | 2nd/4th clutch                    | 1   | 89-10 | 4412248     | 49746-R   |
| D201                          | Spring, diaphragm                         | low/reverse clutch                | 1   | 89-10 | 4412261     | 49747-R   |
| D204                          | Retainer, piston (w/o bleed hole)         | low/reverse clutch                | 1   | 89-02 | 4431648     | 49733     |
| D204                          | Retainer, piston (w/bleed hole)           | low/reverse clutch                | 1   | 03-10 | 4800255AA   | 49733A    |
| E210                          | Differential housing w/spider gears       | w/both same bearings              | 1   | 89-94 | 4432000     | 49780-R   |
| E210                          | Differential housing w/spider gears       | AWD                               | 1   | 91-10 | 4518186     | 49781-R   |
| E210                          | Differential housing w/spider gears       | w/large left bearing              | 1   | 95-00 | n/a         | 49782-R   |
| E210                          | Differential hsg w/spider gears/pin stops | w/large left bearing              | 1   | 00-10 | n/a         | 49782A-R  |
| E211                          | Ring gear/pinion set                      | 59T/17T                           | 1   | 91-10 | 4377128     | K49770A-R |
| E216                          | Ring gear/pinion set                      | 60T/16T                           | 1   | 89-10 | 4431660     | K49770-R  |
| n/i                           | Sleeve, boost valve                       | A604/41TE/41AE                    | 1   | 89-10 | 604-BSH     | K49909    |
| n/i                           | Bolt                                      | low/reverse piston retainer       | 3   | 89-10 | 6501819     | 49734     |
| n/i                           | Brackets, spider pin                      | A604/41TE/41AE                    | 1   | 89-10 | 604-CB      | K49975    |
| n/i                           | Differential pinion shaft .660" od        | A604/41TE/41AE                    | 1   | 89-10 | 46559142AB  | 49785     |
| n/i                           | Differential pinion shaft .730" od        | A604/41TE/41AE                    | 1   | 89-10 | 4659235     | 49786     |
| <b>ELECTRICAL COMPONENTS</b>  |   |                                   |     |       |             |           |
| E240                          | Switch (w/tab)                            | range (PRNDL)                     | 1   | 89-89 | 4439059     | 5A-153    |
| E240                          | Switch (w/tab)                            | range (PRNDL)                     | 1   | 90-95 | 5234393     | 5A-154    |
| E241                          | Sensor (24mm)                             | output speed                      | 1   | 89-10 | 4800879     | 5A-300    |
| E242                          | Switch, neutral safety 3 prongs (short)   | neutral safety (short)            | 1   | 89-89 | 4057750     | 15A-627C  |
| E242                          | Switch                                    | neutral safety                    | 1   | 90-95 | 5234319     | 15A-627E  |
| E243                          | Sensor (22mm)                             | input speed (turbine)             | 1   | 89-10 | 4800878     | 5A-301    |
| E245                          | Solenoid, assembly                        | 8 prongs use w/23798A             | 1   | 89-10 | 5015646AC   | 5A-155    |
| n/i                           | Solenoid repair kit                       | A604•40TE•41AE                    | 1   | 89-99 | 4876        | K49902    |
| n/i                           | Solenoid repair kit                       | A604•40TE•41AE                    | 1   | 00-10 | 4960        | K49902A   |
| n/i                           | Sensor (round pins terminals)             | transmission range                | 1   | 96-99 | 4659559AC   | 5A-302    |
| n/i                           | Sensor (flat spade terminals)             | transmission range                | 1   | 99-10 | 4659676AC   | 5A-302A   |
| n/i                           | Harness repair                            | input/output sensor               | 1   | 89-10 | 350-0059    | 16A-122   |
| n/i                           | Harness repair, external                  | solenoid repair                   | 1   | 89-10 | 350-0068    | 16A-125   |
| n/i                           | Connector,with internal harness           | line pressure solenoid/transducer | 1   | 07-10 | 5078341AA   | 5A-305    |
| n/i                           | Solenoid, line pressure                   | 41TE                              | 1   | 07-10 | 5078335AB   | 5A-306    |
| n/i                           | Sensor, line pressure transducer          | 41TE                              | 1   | 07-10 | 5078336AA   | 5A-307    |
| n/i                           | Harness repair, external line pressure    | black 6 way                       | 1   | 07-10 | 68032354AA  | 5A-308    |
| <b>BONDED PISTONS</b>         |   |                                   |     |       |             |           |
| C199                          | Piston, bonded rubber                     | 41TE (2/4 clutch)                 | 1   | 04-10 | 4800257AA   | 49531     |
| C199                          | Piston, bonded rubber                     | 40TE (2/4 clutch)                 | 1   | 04-10 | 4800234AA   | 49532     |
| B250                          | Piston, bonded rubber                     | underdrive clutch                 | 1   | 89-10 | 4431612     | 49528     |
| D202                          | Piston, bonded rubber                     | 40TE (low/reverse clutch)         | 1   | 04-10 | 4800235AA   | 49529     |
| D202                          | Piston, bonded rubber                     | 41TE (low/reverse clutch)         | 1   | 04-10 | 4800256AA   | 49530     |
| n/i                           | Piston, bonded rubber                     | 40TE/41TE (accumulator)           | 4   | 04-10 | 4446620AC   | 49533     |
| n/i                           | Cover, piston (bonded rubber)             | 40TE/41TE (accumulator)           | 1   | 04-10 | 4431617AB   | 49534     |



A606(42LE)  
49000E

| ILL                                  | DESCRIPTION                         | QTY | YEAR  | REFERENCE # | PART #    |
|--------------------------------------|-------------------------------------|-----|-------|-------------|-----------|
| <b>TECHNICAL MANUALS</b>             |                                     |     |       |             |           |
| K53                                  | Tech manual A606 dis/assembly       | 1   | 93-04 | 83-606TM    | 010-108   |
| K53                                  | Code book 41TE/42LE                 | 1   | 93-04 | 41TE42LE    | 010-009   |
| <b>REBUILDER KITS</b>                |                                     |     |       |             |           |
| K4                                   | Master deluxe rebuild kit           | 1   | 93-04 | AE          | K4900E-R  |
| K5                                   | Master kit w/steels                 | 1   | 93-04 | AE          | K4900E    |
| K6                                   | Master kit w/o steels               | 1   | 93-04 | AE          | K4900E-LS |
| K7                                   | O/H gasket set w/seals-rings        | 1   | 93-04 | AE          | K49900E   |
| K11                                  | Gasket and seal kit                 | 1   | 93-04 | AE          | K49900E-1 |
| K28                                  | Kit, accumulator O'rings            | 1   | 93-04 | AE          | K49900-3  |
| <b>VALVE BODY KITS</b>               |                                     |     |       |             |           |
| K15                                  | Shift Kit® fix limp in/no up shift  | 1   | 93-04 | SK® 604     | K49908A   |
| <b>GASKETS AND RUBBER COMPONENTS</b> |                                     |     |       |             |           |
| F1                                   | Gasket, oil pan                     | 1   | 93-04 | AE          | 13008D    |
| F1                                   | Gasket, oil pan                     | 1   | 93-04 | AE          | 13008X    |
| A5                                   | Gasket                              | 1   | 93-04 | 4659126     | 13025     |
| A6                                   | Seal, lathe cut                     | 1   | 93-04 | 5205660     | 13721     |
| B7                                   | Lip seal                            | 1   | 93-04 | 4659891     | 23221     |
| B8                                   | Lip seal                            | 1   | 93-04 | 4659391     | 23195     |
| A10                                  | O'ring .103" (blue)                 | 1   | 93-04 | 6502271     | 23805     |
| A10                                  | O'ring .103" (red)                  | 1   | 93-04 | 6502269     | 23806     |
| AB11                                 | Lip seal                            | 2   | 93-04 | 4659056     | 23875     |
| A12                                  | O'ring                              | 1   | 93-04 | 6033158     | 23858     |
| D13                                  | D'ring                              | 1   | 93-04 | 4659855     | 23196     |
| D14                                  | D'ring                              | 1   | 93-04 | 4659856     | 23197     |
| D15                                  | Gasket                              | 1   | 93-04 | 4431649     | 13028     |
| C16                                  | D'ring                              | 1   | 93-04 | 4659374     | 23245     |
| C17                                  | D'ring                              | 1   | 93-04 | 4659376     | 23246     |
| F20                                  | O'ring                              | 1   | 93-04 | 6032780     | 13007     |
| F21                                  | Gasket (w/filter screen assembly)   | 1   | 93-04 | 4539787     | 13029     |
| F23                                  | O'ring                              | 1   | 93-04 | 6501549     | 23025     |
| n/i                                  | O'ring                              | 1   | 93-04 | 6030608     | 3291L     |
| n/i                                  | O'ring                              | 1   | 93-97 | 6501700     | 23801     |
| n/i                                  | O'ring (teflon coated/green)        | 1   | 98-04 | n/a         | 13766     |
| n/i                                  | O'ring                              | 1   | 93-97 | 6501701     | 23118     |
| n/i                                  | O'ring (2 green stripes)            | 1   | 98-04 | 6501658AB   | 23020A    |
| n/i                                  | Seal                                | 1   | 93-04 | 4412836     | 23500     |
| n/i                                  | Seal                                | 1   | 93-04 | 4412291     | 23506     |
| n/i                                  | O'ring                              | 1   | 93-04 | n/a         | 13026     |
| n/i                                  | O'ring                              | 1   | 93-04 | 6502797     | 13027     |
| n/i                                  | O'ring (teflon coated/orange)       | 1   | 93-04 | B17813      | 13036     |
| n/i                                  | O'ring                              | 1   | 93-04 | 6502452     | 13037     |
| n/i                                  | O'ring                              | 2   | 93-04 | B14120      | 23120     |
| n/i                                  | Ball, check .250" od (viton)        | 5   | 93-04 | 4446602     | 13924     |
| n/i                                  | Seal                                | 1   | 93-99 | n/a         | 13031     |
| n/i                                  | Seal                                | 1   | 00-04 | n/a         | 13039     |
| n/i                                  | Seal                                | 1   | 93-04 | B32795      | 13030     |
| n/i                                  | Washer                              | 5   | 93-04 | n/a         | 13033     |
| n/i                                  | Seal                                | 1   | 93-04 | n/a         | 13040     |
| <b>METAL CLAD SEALS</b>              |                                     |     |       |             |           |
| A26                                  | Seal, metal clad 2.253"x1.450x.380" | 1   | 93-04 | 4269057     | 12575A    |
| D27                                  | Seal, metal clad 2" od              | 1   | 93-04 | 4539796     | 49577     |
| E28                                  | Seal, metal clad                    | 1   | 93-04 | 4539891     | 49578     |
| D29                                  | Seal, metal clad                    | 1   | 93-04 | 4567809     | 49579     |



# A606 (42LE)•606

A606

| ILL                                 | DESCRIPTION  | QTY | YEAR  | REFERENCE # | PART #   |
|-------------------------------------|--|-----|-------|-------------|----------|
| <b>METAL CLAD SEALS (CONTINUED)</b> |  |     |       |             |          |
| D30                                 | Seal, metal clad pinion shaft (large)                            | 1   | 93-04 | 4567811     | 49576    |
| <b>SEALING RINGS</b>                |  |     |       |             |          |
| K10                                 | Kit, sealing ring 15 rings                                       | 1   | 93-04 | AE          | K49950   |
| A33                                 | Ring, sealing (nickel plated) stator                             | 4   | 93-04 | 4471874     | 49800    |
| A34                                 | Ring, sealing (teflon) input shaft                               | 3   | 93-04 | 4446543     | 49801T   |
| F35                                 | Ring, sealing (teflon) underdrive/overdrive/low/rev accum piston | 8   | 93-04 | 4446544     | 49802    |
| <b>CLUTCH PLATES</b>                |  |     |       |             |          |
| B38                                 | Friction .071" 5.432" od 28T underdrive clutch                   | 4   | 93-04 | 4659635     | 49105    |
| B39                                 | Steel .067" 4.500" id 8T underdrive clutch                       | 4   | 93-04 | 4659053     | 49104    |
| B41                                 | Steel .067" 4.500" id 8T overdrive clutch                        | 3   | 93-04 | 4659053     | 49104    |
| B42                                 | Friction .071" 5.432" od 28T reverse clutch                      | 2   | 93-04 | 4659635     | 49105    |
| B43                                 | Steel .067" 4.500" id 8T reverse clutch                          | 1   | 93-04 | 4659053     | 49104    |
| C44                                 | Friction .086" 6.065" od 31T 2/4 clutch                          | 4   | 93-04 | 4567212     | 49107    |
| C45                                 | Steel .101" 5.250" id 14T 2/4 clutch                             | 4   | 93-04 | 4659054     | 49106    |
| D46                                 | Friction .072" 6.063" od 32T low/reverse clutch                  | 5   | 93-04 | 4377134     | 49103    |
| D46                                 | Kit, case saver low/reverse clutch                               | 1   | 93-04 | 77758       | K49103   |
| D47                                 | Steel .067" 5.250" id 14T low/reverse clutch                     | 5   | 93-04 | 4659055     | 49100    |
| <b>PRESSURE PLATES</b>              |  |     |       |             |          |
| K21                                 | Kit, pressure plate .217" w/snap ring underdrive (4 clutch drum) | sel | 93-04 | 4723684     | K49185   |
| K21                                 | Kit, pressure plate .236" w/snap ring underdrive (4 clutch drum) | sel | 93-04 | 4723683     | K49185A  |
| K21                                 | Kit, pressure plate .255" w/snap ring underdrive (4 clutch drum) | sel | 93-04 | 4723682     | K49185B  |
| K21                                 | Kit, pressure plate .275" w/snap ring underdrive (4 clutch drum) | sel | 93-04 | 4723681     | K49185C  |
| B48                                 | Pressure plate .217" w/o snap ring underdrive (4 clutch drum)    | sel | 93-04 | 77764-217   | 49185-R  |
| B48                                 | Pressure plate .236" w/o snap ring underdrive (4 clutch drum)    | sel | 93-04 | 77764-236   | 49185A-R |
| B48                                 | Pressure plate .255" w/o snap ring underdrive (4 clutch drum)    | sel | 93-04 | 77764-255   | 49185B-R |
| B48                                 | Pressure plate .275" w/o snap ring underdrive (4 clutch drum)    | sel | 93-04 | 77764-275   | 49185C-R |
| B49                                 | Pressure plate (4 lug) overdrive clutch                          | 1   | 93-04 | 4531556     | 49191A-R |
| B50                                 | Pressure plate reverse clutch                                    | 1   | 93-04 | 4377194     | 49194-R  |
| C51                                 | Pressure plate low/reverse clutch                                | 1   | 93-04 | 4412265     | 49265-R  |
| <b>FILTERS</b>                      |  |     |       |             |          |
| K9                                  | Kit, filter neoprene/cork  | 1   | 93-04 | AE          | FK49776A |
| K9                                  | Kit, filter Duraprene®   | 1   | 93-04 | AE          | DK49776A |
| F52                                 | Filter A606/42LE   | 1   | 93-04 | 4626449     | 49776A   |
| n/i                                 | Screen, filter regulator (in valve body)                         | 1   | 93-04 | 3878313     | 48713    |
| n/i                                 | Screen, filter overdrive orifice                                 | 1   | 93-04 | 4446629     | 48714    |
| n/i                                 | Screen, filter low/reverse orifice                               | 1   | 93-04 | 4446629     | 49714    |
| <b>BUSHINGS</b>                     |  |     |       |             |          |
| K13                                 | Kit, bushing A606/42LE   | 1   | 93-95 | AE          | K49905   |
| K13                                 | Kit, bushing A606/42LE   | 1   | 96-04 | AE          | K49905A  |
| A55                                 | Bushing (babbit) 38.113mm bore pump body                         | 1   | 93-04 | 2466796     | 12502    |
| A55                                 | Bushing (bronze) pump body                                       | 1   | 93-04 | 2466796     | 12502A   |
| A56                                 | Bushing .590" od input shaft                                     | 1   | 93-04 | 4212211     | 49002    |
| A56                                 | Bushing .603" od input shaft                                     | 1   | 96-04 | 4412211AB   | 49002A   |
| A59                                 | Bushing input clutch hub   | 1   | 93-04 | 4377570     | 49003    |
| C60                                 | Bushing overdrive clutch hub                                     | 2   | 93-95 | 4412219     | 49004    |
| C60                                 | Bushing overdrive clutch hub                                     | 2   | 96-04 | 4659617     | 49004A   |
| C62                                 | Bushing 2nd/4th clutch hub                                       | 2   | 93-95 | 4412222     | 49005    |
| C62                                 | Bushing 2nd/4th clutch hub                                       | 2   | 96-04 | 4659619     | 49005A   |
| C65                                 | Bushing rear planetary   | 1   | 93-04 | 4412230     | 49006    |
| E68                                 | Bushing differential carrier/housing                             | 2   | 93-04 | 4567225     | 49010    |
|                                     |  |     |       |             |          |
|                                     |  |     |       |             |          |
|                                     |  |     |       |             |          |

| ILL                                 | DESCRIPTION                           | QTY                                       | YEAR | REFERENCE # | PART #    |          |
|-------------------------------------|---------------------------------------|---|------|-------------|-----------|----------|
| <b>WASHERS/BEARINGS/RACES/SHIMS</b> |                                       |   |      |             |           |          |
| K12                                 | Kit, thrust bearing                   | A606/42LE                                 | 1    | 93-04       | AE        | K49906   |
| K14                                 | Kit, thrust washer                    | w/popular selectives/no races             | 1    | 93-04       | AE        | K49600   |
| B69                                 | Race (3 tabs)                         | thrust washer to overdrive hub            | 1    | 93-04       | 4431973   | 49621    |
| C70                                 | Race .093-1.00mm (3 slots)            | overdrive clutch hub to thrust washer     | sel  | 93-04       | 4331662   | 49622    |
| C70                                 | Race 1.37-1.44mm (3 slots)            | overdrive clutch hub to thrust washer     | sel  | 93-04       | 4431664   | 49622A   |
| C70                                 | Race 1.81-1.88mm (3 slots)            | overdrive clutch hub to thrust washer     | sel  | 93-04       | 4331666   | 49622B   |
| C70                                 | Race 2.25-2.32mm (3 slots)            | overdrive clutch hub to thrust washer     | sel  | 93-04       | 4331668   | 49622C   |
| C70                                 | Race 2.47-2.54mm (3 slots)            | overdrive clutch hub to thrust washer     | sel  | 93-04       | 4331669   | 49622D   |
| C70                                 | Race 2.91-2.98mm (3 slots)            | overdrive clutch hub to thrust washer     | sel  | 93-04       | 4331671   | 49622E   |
| C70                                 | Race 3.25-3.42mm (3 slots)            | overdrive clutch hub to thrust washer     | sel  | 93-04       | 4446601   | 49622F   |
| B72                                 | Thrust washer (5 tabs)                | underdrive clutch hub to race             | 1    | 93-04       | 4471855   | 49625    |
| C73                                 | Thrust washer (4 tabs)                | race to 2nd/4th clutch hub                | 1    | 93-04       | 4412216   | 49627    |
| A78                                 | Bearing, thrust                       | stator to input clutch hub                | 1    | 93-04       | 4412209   | 49633    |
| A79                                 | Bearing, thrust                       | input clutch hub to underdrive clutch hub | 1    | 93-04       | 4567262   | 49635    |
| C80                                 | Bearing, thrust                       | rear sun gear to rear planetary           | 1    | 93-00       | 4567262   | 49635    |
| C80                                 | Bearing, thrust                       | rear sun gear to rear planetary           | 1    | 01-04       | 4412209   | 49633    |
| C81                                 | Bearing, thrust                       | front planetary to rear sun gear          | 1    | 93-06       | 4412229AB | 49638    |
| <b>SNAP RINGS</b>                   |                                       |   |      |             |           |          |
| B66                                 | Snap ring .060" 5.956" od             | underdrive pressure plate (bottom)        | 1    | 93-04       | 4412307   | 49310C   |
| B67                                 | Snap ring .075" 6.330" od (turquoise) | underdrive pressure plate (top)           | 1    | 93-04       | 4567602   | 49310B   |
| n/i                                 | Kit, snap ring                        | 20 pieces (complete)                      | 1    | 93-04       | 77680     | K49320   |
| n/i                                 | Kit, snap ring                        | 10 pieces (popular)                       | 1    | 93-96       | 77681     | K49321   |
| n/i                                 | Kit, snap ring                        | 8 pieces (popular)                        | 1    | 93-04       | 77681A    | K49321A  |
| <b>PUMP PARTS AND PUMPS</b>         |                                       |   |      |             |           |          |
| A82                                 | Pump assembly                         | A606/42LE                                 | 1    | 93-04       | 4741659   | 49200E-R |
| A85                                 | Stator                                | A606/42LE                                 | 1    | 93-04       | AE        | 49300E-R |
| A89                                 | Gear set .708"                        | A606/42LE                                 | 1    | 93-04       | AE        | K49201   |
| <b>HARD PARTS</b>                   |                                       |   |      |             |           |          |
| A83                                 | Hub, input clutch                     | A606/42LE                                 | 1    | 93-04       | 4531637   | 49701-R  |
| C90                                 | Planetary, front                      | A606/42LE                                 | 1    | 93-04       | 4505597   | 49735    |
| C90                                 | Planetary, front                      | A606/42LE                                 | 1    | 93-04       | 4505597   | 49735-R  |
| C91                                 | Planetary, rear (5 pinion gears)      | A606/42LE                                 | 1    | 93-04       | 4883273   | 49736E   |
| C91                                 | Planetary, rear (5 pinion gears)      | A606/42LE                                 | 1    | 93-04       | 4883273   | 49736E-R |
| A92                                 | Shaft, input (22 splines)             | A606/42LE                                 | 1    | 93-04       | 4626452   | 49753-R  |
| A94                                 | Spring, diaphragm                     | overdrive/reverse clutch                  | 1    | 93-04       | 4412202   | 49745-R  |
| C95                                 | Spring, diaphragm                     | 2nd/4th clutch                            | 1    | 93-04       | 4412248   | 49746-R  |
| D96                                 | Spring, diaphragm                     | low/reverse clutch                        | 1    | 93-04       | 4412261   | 49747-R  |
| B97                                 | Hub, w/shaft                          | underdrive clutch                         | 1    | 93-95       | 4431615   | 49727-R  |
| C98                                 | Hub, w/shaft 1.142" shaft diameter    | overdrive clutch                          | 1    | 96-04       | 4567985   | 49728-R  |
| C98                                 | Hub, w/shaft 1.162" shaft diameter    | overdrive clutch                          | 1    | 96-04       | 4659615   | 49728A   |
| C98                                 | Hub, w/shaft 1.162" shaft diameter    | overdrive clutch                          | 1    | 93-04       | 4659615   | 49728A-R |
| B99                                 | Retainer, input clutch                | A606/42LE                                 | 1    | 93-04       | 4505623   | 49726-R  |
| C101                                | Bearing, tapered (cone)               | rear planetary                            | 1    | 93-04       | 4412235   | 49764    |
| C102                                | Race, tapered (cup)                   | rear planetary                            | 1    | 93-04       | 4412234   | 49763    |
| D103                                | Bearing, tapered (cone) 36mm id       | output shaft gear                         | 1    | 93-04       | 4446610   | 48761    |
| D104                                | Race, tapered (cup)                   | output shaft gear                         | 1    | 93-04       | 4446689   | 48762    |
| D105                                | Bearing, cone                         | pinion shaft rear                         | 1    | 93-04       | 4539862   | 49759    |
| D106                                | Bearing, cup                          | pinion shaft rear                         | 1    | 93-04       | 4539863   | 49760    |
| D107                                | Bearing, cone                         | pinion shaft front                        | 1    | 93-04       | 4567292   | M802048  |
| D108                                | Bearing, cup                          | pinion shaft front                        | 1    | 93-04       | 4567293   | M802011  |
| E109                                | Bearing, cone                         | differential                              | 2    | 93-04       | 1790541   | 49761    |
| E110                                | Bearing, cup                          | differential                              | 2    | 93-04       | 3723569   | 49762    |
| E111                                | Bearing, ball type                    | axle shaft                                | 1    | 93-04       | 4539879   | 49758    |

# A606 (42LE)•606

A606

| ILL                           | DESCRIPTION                         |                         | QTY | YEAR  | REFERENCE # | PART #   |
|-------------------------------|-------------------------------------|-------------------------|-----|-------|-------------|----------|
| <b>HARD PARTS (CONTINUED)</b> |                                     |                         |     |       |             |          |
| B113                          | Piston (4 slots)                    | A606/42LE               | 1   | 93-04 | 4531910     | 49732-R  |
| D115                          | Sun gear                            | A606/42LE               | 1   | 93-04 | 4377080     | 49737    |
| D115                          | Sun gear                            | A606/42LE               | 1   | 93-95 | 4377080     | 49737-R  |
| C116                          | Hub, w/gear 1.144" inside bushing   | A606/42LE               | 1   | 96-04 | 4431622     | 49729-R  |
| C116                          | Hub, w/gear 1.164" inside bushing   | A606/42LE               | 1   | 96-04 | 4659618     | 49729A   |
| C116                          | Hub, w/gear 1.164" inside bushing   | A606/42LE               | 1   | 93-04 | 4659618     | 49729A-R |
| C117                          | Gear, ring                          | A606/42LE               | 1   | 93-04 | 4377082     | 49730-R  |
| D120                          | Retainer, piston (w/o bleed hole)   | low/reverse clutch      | 1   | 93-03 | 4431645     | 49733    |
| D120                          | Retainer, piston (w/bleed hole)     | low/reverse clutch      | 1   | 03-04 | 4800255AA   | 49733A   |
| D121                          | Nut, rear planetary                 | A606/42LE               | 1   | 93-04 | 6502476     | 49611    |
| D122                          | Nut, transfer shaft                 | A606/42LE               | 1   | 93-94 | 6502447     | 49610    |
| D125                          | Chain, drive 1.750" wide            | A606/42LE               | 1   | 94-04 | HV-046      | 49973    |
| D125                          | Chain, drive .750" wide (2 per box) | A606/42LE               | 1   | 95-04 | HV-047      | 49973A   |
| D126                          | Sprocket, drive                     | A606/42LE               | 1   | 95-04 | 4659232     | 49918    |
| D127                          | Sprocket, driven                    | A606/42LE               | 1   | 93-04 | 4659233     | 49916    |
| B187                          | Piston, underdrive .550"            | A606/42LE               | 1   | 93-04 | 4431611     | 49739    |
| n/i                           | Kit, update Gemini®                 | sprockets/chain/snubber | 1   | 93-04 | TK-004      | K49973A  |
| n/i                           | Kit, update Gemini®                 | sprockets/chain/snubber | 1   | 93-04 | TK-005      | K49973B  |
| n/i                           | Snubber, chain                      | A606A606/42LE42LE)      | 1   | 93-04 | HUS047      | 49974    |
| n/i                           | Bolt                                | A606/42LE               | 1   | 93-04 | 6501819     | 49734    |
| <b>ELECTRICAL COMPONENTS</b>  |                                     |                         |     |       |             |          |
| F142                          | Sensor, transmission range          | round pin terminals     | 1   | 98-04 | 4864080     | 5A-303   |
| F142                          | Sensor, transmission range          | flat spade terminals    | 1   | 93-04 | 4659677AC   | 5A-303A  |
| F143                          | Solenoid assembly                   | A606/42LE               | 1   | 93-04 | 4539766     | 5A-304   |
| D144                          | Sensor (24mm)                       | A606/42LE               | 1   | 93-04 | 4800879     | 5A-300   |
| D145                          | Sensor (22mm)                       | A606/42LE               | 1   | 93-04 | 4800878     | 5A-301   |
| n/i                           | Solenoid repair kit                 | A606/42LE               | 1   | 93-04 | 4773        | K49902E  |
| n/i                           | Harness repair                      | A606/42LE               | 1   | 93-04 | 350-0039    | 16A-122  |
| n/i                           | Harness repair, external            | A606/42LE               | 1   | 96-04 | 350-0069    | 16A-126  |
| <b>BONDED PISTONS</b>         |                                     |                         |     |       |             |          |
| B112                          | Piston, bonded rubber               | underdrive clutch       | 1   | 93-04 | 4431612     | 49528    |
| D119                          | Piston, bonded rubber               | low/reverse clutch      | 1   | 03-04 | 4800235AA   | 49529    |
| D119                          | Piston, bonded rubber               | low/reverse clutch      | 1   | 03-04 | 4800256AA   | 49530    |
| <b>NOTES</b>                  |                                     |                         |     |       |             |          |
|                               |                                     |                         |     |       |             |          |
|                               |                                     |                         |     |       |             |          |
|                               |                                     |                         |     |       |             |          |
|                               |                                     |                         |     |       |             |          |
|                               |                                     |                         |     |       |             |          |
|                               |                                     |                         |     |       |             |          |
|                               |                                     |                         |     |       |             |          |
|                               |                                     |                         |     |       |             |          |
|                               |                                     |                         |     |       |             |          |
|                               |                                     |                         |     |       |             |          |
|                               |                                     |                         |     |       |             |          |
|                               |                                     |                         |     |       |             |          |
|                               |                                     |                         |     |       |             |          |
|                               |                                     |                         |     |       |             |          |
|                               |                                     |                         |     |       |             |          |
|                               |                                     |                         |     |       |             |          |
|                               |                                     |                         |     |       |             |          |
|                               |                                     |                         |     |       |             |          |
|                               |                                     |                         |     |       |             |          |

| MAKE | MODEL | YEAR    |
|------|-------|---------|
| GM   | 6L80E | 2006-On |

**DESCRIPTION & NOTES...**

**Now Available!**

# 6L80E

## PowerPacks®

| OEI® Original Equipment Improvements |  |
|--------------------------------------|--|
| Alto #                               | Description                                  |
| 195756                               | 4-5-6 Clutch Hi-Performance PowerPack®       |
| 195757                               | 3-5 Reverse Clutch Hi-Performance PowerPack® |

- Extended Durability
- Superior Coefficient of Friction
- Elevated Heat Management



Call your A & REDS Representative for price and availability.

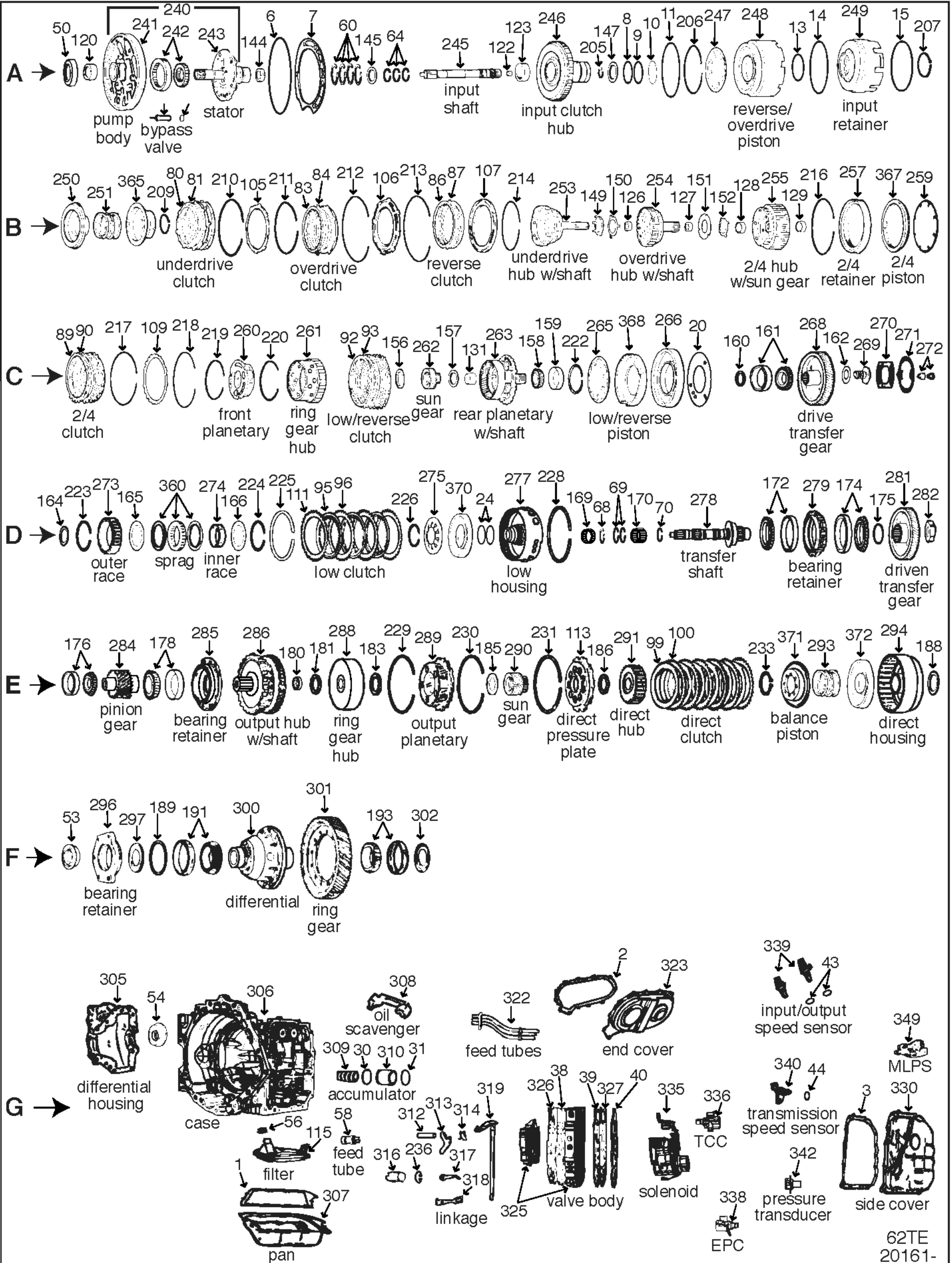
SHIFT ...YOUR THINKING

Clutches and Gears for Automatic Transmissions

10007023







62TE  
20161-

| ILL                                  | DESCRIPTION                                |                                  | QTY | YEAR  | REFERENCE # | PART #      |
|--------------------------------------|--|----------------------------------|-----|-------|-------------|-------------|
| <b>TECHNICAL MANUALS</b>             |  |                                  |     |       |             |             |
| K53                                  | Tech manual 62TE dis-assembly              | diagnosis/troubleshooting        | 1   | 06-10 | n/a         | 010-125     |
| <b>REBUILDER KITS</b>                |  |                                  |     |       |             |             |
| K5                                   | Master kit w/steels                        | w/pistons                        | 1   | 06-10 | AE          | 20161-11004 |
| K5                                   | Master kit w/steels                        | w/o pistons                      | 1   | 06-10 | AE          | 20161-11104 |
| K6                                   | Master kit w/o steels                      | w/pistons                        | 1   | 06-10 | AE          | 20161-12004 |
| K6                                   | Master kit w/o steels                      | w/o pistons                      | 1   | 06-10 | AE          | 20161-12104 |
| K7                                   | O/H gasket set w/seals-rings               | w/pistons                        | 1   | 06-10 | AE          | 20161-13004 |
| K7                                   | O/H gasket set w/seals-rings               | w/o pistons                      | 1   | 06-10 | 2541        | 20161-13104 |
| <b>GASKETS AND RUBBER COMPONENTS</b> |  |                                  |     |       |             |             |
| G1                                   | Gasket, bottom pan                         | 62TE                             | 1   | 06-10 | n/a         | 20161-19004 |
| G2                                   | Gasket, end cover                          | 62TE                             | 1   | 06-10 | n/a         | 20161-19204 |
| G3                                   | Gasket, side cover                         | 62TE                             | 1   | 06-10 | n/a         | 20161-19404 |
| A6                                   | Seal, lathe cut                            | pump body O'ring                 | 1   | 06-10 | 5205660     | 13721       |
| A7                                   | Gasket, pump to case                       | 62TE                             | 1   | 06-10 | n/a         | 20161-28204 |
| A8                                   | O'ring .103" (blue)                        | input clutch clutch (front)      | 1   | 06-10 | 6502271     | 23805       |
| A9                                   | O'ring .103" (red)                         | input clutch clutch (rear)       | 1   | 06-10 | 6502269     | 23806       |
| A10                                  | Lip seal                                   | underdrive clutch (inner)        | 1   | 06-10 | 4659319     | 23195       |
| A11                                  | Lip seal                                   | overdrive/reverse clutch (outer) | 1   | 06-10 | 4659056     | 23875       |
| A15                                  | Lip seal                                   | underdrive clutch (outer)        | 1   | 06-10 | 4377173     | 23221       |
| <b>METAL CLAD SEALS</b>              |  |                                  |     |       |             |             |
| A50                                  | Seal, metal clad                           | pump seal                        | 1   | 06-10 | B37097      | 20161-30104 |
| F53                                  | Seal, metal clad 2.290x1.510x.354"         | left/right axle                  | 2   | 06-10 | B29952      | 48576       |
| <b>SEALING RINGS</b>                 |  |                                  |     |       |             |             |
| K10                                  | Kit, sealing ring                          | 62TE                             | 1   | 06-10 | 3528        | 20161-31504 |
| A60                                  | Ring, sealing (nickel plated)              | stator                           | 4   | 06-10 | 4471874     | 49800       |
| A64                                  | Ring, sealing (teflon)                     | input shaft                      | 3   | 06-10 | 4446543     | 49801T      |
| <b>CLUTCH PLATES</b>                 |  |                                  |     |       |             |             |
| B80                                  | Steel .067" 4.500" id 8T                   | underdrive clutch                | 4   | 06-10 | 4659053     | 49104       |
| B81                                  | Friction .071" 5.432" od 28T               | underdrive clutch                | 4   | 06-10 | 4659635     | 49105       |
| B83                                  | Friction .071" 5.432" od 28T               | overdrive clutch                 | 4   | 06-10 | 4659635     | 49105       |
| B84                                  | Steel .078" 4.528" id 8T                   | overdrive clutch                 | 3   | 06-10 | 68010495AA  | 20161-37704 |
| B86                                  | Friction .071" 5.432" od 28T               | reverse clutch                   | 2   | 06-10 | 4659635     | 49105       |
| B87                                  | Steel .067" 4.500" id 8T                   | reverse clutch                   | 1   | 06-10 | 4659053     | 49104       |
| C89                                  | Steel .099" 5.255" id 16T                  | 2nd/4th clutch                   | 3   | 06-10 | 077703A-250 | 20161-37904 |
| C89                                  | Steel .067" 5.255" id 16T                  | 2nd/4th clutch                   | 1   | 06-10 | 077703A-170 | 20161-38004 |
| C90                                  | Friction .086" 6.065" od 31T               | 2nd/4th clutch                   | 4   | 06-10 | 4567212     | 49107       |
| C92                                  | Friction .072" 6.063" od 32T               | low/reverse clutch               | 5   | 06-10 | 4377134     | 49103       |
| C93                                  | Steel .067" 5.255" id 16T                  | low/reverse clutch               | 4   | 06-10 | 077703A-170 | 20161-38004 |
| C93                                  | Steel .099" 5.255" id 16T                  | low/reverse clutch               | 1   | 06-10 | 077703A-250 | 20161-37904 |
| D95                                  | Friction .072" 4.773" od 29T               | low clutch                       | 3   | 06-10 | 05078609AA  | 20161-35704 |
| D96                                  | Steel .068" 4.114" id 42T                  | low clutch                       | 3   | 06-10 | 68029389AA  | 20161-38404 |
| E99                                  | Friction .060" 4.467" od 29 internal teeth | direct clutch                    | 6   | 06-10 | 05078628AA  | 20161-35404 |
| E100                                 | Friction .060" 3.634" id 30 external teeth | direct clutch                    | 6   | 06-10 | 05078813AA  | 20161-35504 |
| <b>PRESSURE PLATES</b>               |  |                                  |     |       |             |             |
| B105                                 | Kit, pressure plate .217" w/snap ring      | underdrive (4 clutch drum)       | 1   | 06-10 | 4723684     | K49185      |
| B105                                 | Kit, pressure plate .236" w/snap ring      | underdrive (4 clutch drum)       | 1   | 06-10 | 4723683     | K49185A     |
| B105                                 | Kit, pressure plate .255" w/snap ring      | underdrive (4 clutch drum)       | 1   | 06-10 | 4723682     | K49185B     |
| B105                                 | Kit, pressure plate .275" w/snap ring      | underdrive (4 clutch drum)       | 1   | 06-10 | 4723681     | K49185C     |
| B105                                 | Pressure plate .217" w/o snap ring         | underdrive (4 clutch drum)       | 1   | 06-10 | AE          | 49185-R     |
| B105                                 | Pressure plate .236" w/o snap ring         | underdrive (4 clutch drum)       | 1   | 06-10 | AE          | 49185A-R    |
| B105                                 | Pressure plate .255" w/o snap ring         | underdrive (4 clutch drum)       | 1   | 06-10 | AE          | 49185B-R    |
| B105                                 | Pressure plate .275" w/o snap ring         | underdrive (4 clutch drum)       | 1   | 06-10 | AE          | 49185C-R    |
| B106                                 | Pressure plate (8 lug)                     | overdrive clutch                 | 1   | 06-10 | 4377191     | 49191-R     |

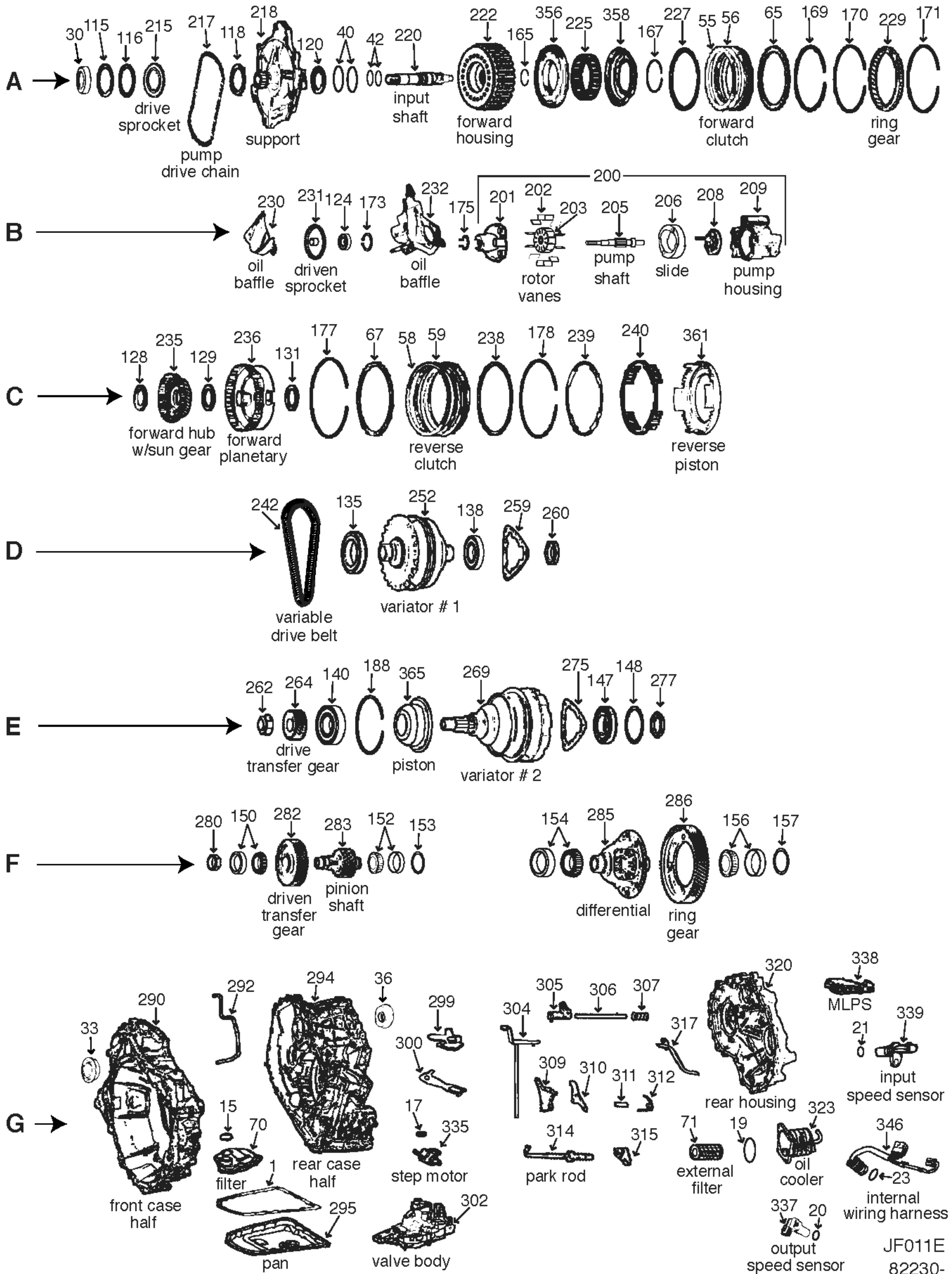
| ILL                                 | DESCRIPTION  | QTY | YEAR  | REFERENCE # | PART #      |
|-------------------------------------|--|-----|-------|-------------|-------------|
| <b>PRESSURE PLATES (CONTINUED)</b>  |  |     |       |             |             |
| B106                                | Pressure plate (4 lug) overdrive clutch                          | 1   | 06-10 | 4531556     | 49191A-R    |
| B107                                | Pressure plate reverse clutch                                    | 1   | 06-10 | 4377194     | 49194-R     |
| C109                                | Pressure plate low/reverse clutch                                | 1   | 06-10 | 4412265     | 49265-R     |
| D111                                | Pressure plate low clutch  | 1   | 06-10 | AE          | 20161-42303 |
| E113                                | Pressure plate direct clutch                                     | 1   | 06-10 | AE          | 20161-42703 |
| <b>FILTERS</b>                      |  |     |       |             |             |
| K9                                  | Kit, filter 62TE   | 1   | 06-10 | AE          | 20161-44004 |
| G115                                | Filter 62TE  | 1   | 06-08 | 05078555AA  | 20161-45004 |
| <b>BUSHINGS</b>                     |  |     |       |             |             |
| K12                                 | Kit, bushing 62TE  | 1   | 06-10 | AE          | K49905A     |
| A120                                | Bushing (babbit) 38.113mm bore pump body                         | 1   | 06-10 | 2466796     | 12502       |
| A120                                | Bushing (bronze) pump body                                       | 1   | 06-10 | 2466796     | 12502A      |
| A122                                | Bushing .603" od input shaft to underdrive hub                   | 1   | 06-10 | 4412211AB   | 49002A      |
| A123                                | Bushing input clutch hub to pump support                         | 1   | 06-10 | 4377570     | 49003       |
| B126                                | Bushing front overdrive hub                                      | 1   | 06-10 | 4659617     | 49004A      |
| B127                                | Bushing rear overdrive hub                                       | 1   | 06-10 | 4659617     | 49004A      |
| B128                                | Bushing 2/4 hub  | 1   | 06-10 | 4659619     | 49005A      |
| C131                                | Bushing rear planetary   | 1   | 06-10 | 4412230     | 49006       |
| <b>WASHERS/BEARINGS/RACES/SHIMS</b> |  |     |       |             |             |
| K13                                 | Kit, thrust washer 62TE  | 1   | 06-10 | AE          | 20161-54504 |
| K13                                 | Kit, thrust bearing 62TE   | 1   | 06-10 | AE          | 20161-55104 |
| A144                                | Bearing, thrust rear pump stator                                 | 1   | 06-10 | n/a         | 20161-56404 |
| A145                                | Bearing, thrust stator to input clutch hub                       | 1   | 06-10 | 4412209     | 49633       |
| A147                                | Bearing, thrust input clutch hub to underdrive clutch hub        | 1   | 06-10 | 4567262     | 49635       |
| B149                                | Thrust washer (5 tabs) underdrive clutch hub to race             | 1   | 06-10 | 4471855     | 49625       |
| B150                                | Race (3 tabs) overdrive hub to 2/4 hub                           | 1   | 06-10 | 4431973     | 49621       |
| B151                                | Race .093-1.00mm (3 slots) overdrive clutch hub to thrust washer | sel | 06-10 | 4331662     | 49622       |
| B151                                | Race 1.37-1.44mm (3 slots) overdrive clutch hub to thrust washer | sel | 06-10 | 4431664     | 49622A      |
| B151                                | Race 1.81-1.88mm (3 slots) overdrive clutch hub to thrust washer | sel | 06-10 | 4431666     | 49622B      |
| B151                                | Race 2.25-2.32mm (3 slots) overdrive clutch hub to thrust washer | sel | 06-10 | 4431668     | 49622C      |
| B151                                | Race 2.47-2.54mm (3 slots) overdrive clutch hub to thrust washer | sel | 06-10 | 4431669     | 49622D      |
| B151                                | Race 2.91-2.98mm (3 slots) overdrive clutch hub to thrust washer | sel | 06-10 | 44316711    | 49622E      |
| B151                                | Race 3.25-3.42mm (3 slots) overdrive clutch hub to thrust washer | sel | 06-10 | 4446601     | 49622F      |
| B152                                | Thrust washer (4 tabs) race to 2nd/4th clutch hub                | 1   | 06-10 | 4412216     | 49627       |
| C156                                | Bearing, thrust front planetary to rear sun gear                 | 1   | 06-10 | 4412229AB   | 49638       |
| C157                                | Bearing, thrust rear sun gear to rear planetary                  | 1   | 06-10 | 4567262     | 49635       |
| C158                                | Bearing, tapered (cone) 36mm id rear planetary                   | 1   | 06-10 | 4504013     | 48761       |
| C159                                | Race, tapered (cup) rear planetary                               | 1   | 06-10 | 4446689     | 48762       |
| C160                                | Washer, spacer (shim) transfer gear to rear planetary            | sel | 06-10 | n/a         | 20161-56904 |
| C161                                | Bearing, cup/cone drive transfer gear                            | 1   | 06-10 | AE          | 20161-57004 |
| C162                                | Washer drive gear to bolt  | 1   | 06-10 | 6501832     | 49629       |
| D164                                | Bearing, thrust inner sprag race                                 | 1   | 06-10 | n/a         | 20161-57204 |
| D165                                | Bearing, thrust outer sprag race                                 | 1   | 06-10 | n/a         | 20161-57404 |
| D166                                | Bearing, thrust low housing to sprag                             | 1   | 06-10 | n/a         | 20161-57604 |
| D169                                | Bearing, caged transfer shaft                                    | 1   | 06-10 | n/a         | 20161-57804 |
| D170                                | Bearing, caged transfer shaft                                    | 1   | 06-10 | n/a         | 20161-57804 |
| D172                                | Bearing, cup/cone bearing retainer                               | 1   | 06-10 | n/a         | 20161-58004 |
| D174                                | Bearing, cup/cone bearing retainer                               | 1   | 06-10 | n/a         | 20161-58204 |
| E176                                | Bearing, cup/cone pinion gear                                    | 1   | 06-10 | n/a         | 20161-58404 |
| E178                                | Bearing, cup/cone pinion gear                                    | 1   | 06-10 | n/a         | 20161-58604 |
| E181                                | Bearing, thrust output hub to ring gear                          | 1   | 06-10 | n/a         | 20161-58804 |
| E183                                | Bearing, thrust ring gear to planetary                           | 1   | 06-10 | n/a         | 20161-58904 |
| E185                                | Bearing, thrust sun gear to ring gear                            | 1   | 06-10 | n/a         | 20161-59004 |

| ILL   | DESCRIPTION                            | QTY                             | YEAR  | REFERENCE # | PART #      |             |
|---|--|---------------------------------|-------|-------------|-------------|-------------|
| <b>WASHERS/BEARINGS/RACES/SHIMS (CONTINUED)</b> |  |                                 |       |             |             |             |
| E186  | Bearing, thrust                        | 1                               | 06-10 | n/a         | 20161-59204 |             |
| E188  | Bearing, thrust                        | 1                               | 06-10 | n/a         | 20161-59402 |             |
| F191  | Bearing, cup/cone                      | 1                               | 06-10 | n/a         | 20161-59604 |             |
| F193  | Bearing, cup/cone                      | 1                               | 06-10 | n/a         | 20161-59804 |             |
| <b>SNAP RINGS</b>                               |  |                                 |       |             |             |             |
| K14   | Kit, snap ring                         | 8 pieces                        | 1     | 06-10       | 77681A      | K49321A     |
| A205  | Snap ring .061" 1.030" od (round wire) | input shaft in input clutch hub | 1     | 06-10       | 6501702     | 49321       |
| A206  | Snap ring .060" 5.326" od              | reverse/overdrive piston        | 1     | 06-10       | 4412203     | 49322       |
| A207  | Snap ring .095" 2.594" od (tru-ark)    | input retainer                  | 1     | 06-10       | 6507226AA   | 49323       |
| B209  | Snap ring .077" 2.285" od (tru-ark)    | underdrive retainer             | 1     | 06-10       | 6501715     | 49324       |
| B210  | Snap ring .060" 5.956" od              | underdrive clutch               | sel   | 06-10       | 4412307     | 49310C      |
| B211  | Snap ring .065" 6.875" od waved (blue) | overdrive clutch                | sel   | 06-10       | 4531411     | 49310A      |
| B211  | Snap ring .075" 6.330" od (turquoise)  | overdrive clutch                | sel   | 06-10       | 4567602     | 49310B      |
| B212  | Snap ring .061" 6.875" od              | overdrive clutch                | 1     | 06-10       | 65015621    | 49326       |
| B213  | Snap ring .069"                        | reverse clutch                  | 1     | 06-10       | 4531411     | 49327       |
| B214  | Snap ring .090" 4.720" od              | reverse clutch                  | 1     | 06-10       | 4412873     | 49328       |
| B216  | Snap ring .061" 7.010" od              | 2/4 retainer                    | 1     | 06-10       | 4505591     | 49329       |
| C217  | Snap ring .068" 7.010" od              | 2/4 clutch                      | 1     | 06-10       | 4799858AA   | 49330       |
| C218  | Snap ring .040"                        | 2/4 pressure plate              | 1     | 06-10       | 4412395     | 49331       |
| C219  | Snap ring .062" 4.719" od              | front planetary                 | 1     | 06-10       | 6035238     | 49332       |
| C220  | Snap ring .062" 4.719" od              | front planetary                 | 1     | 06-10       | 6035238     | 49332       |
| C222  | Snap ring .090" 3.487" od              | low/reverse retainer            | 1     | 06-10       | 4412873     | 49334       |
| D223  | Snap ring                              | hold sprag in outer race        | 1     | 06-10       | n/a         | 20161-62103 |
| D224  | Snap ring                              | hold sprag in outer race        | 1     | 06-10       | n/a         | 20161-62103 |
| D225  | Snap ring                              | low clutch pressure plate       | 1     | 06-10       | n/a         | 20161-62603 |
| D226  | Snap ring                              | low clutch retainer             | 1     | 06-10       | n/a         | 20161-63003 |
| D228  | Snap ring                              | low clutch housing              | 1     | 06-10       | n/a         | 20161-63403 |
| E229  | Snap ring                              | output planetary                | 1     | 06-10       | n/a         | 20161-63703 |
| E230  | Snap ring                              | output planetary                | 1     | 06-10       | n/a         | 20161-63803 |
| E231  | Snap ring                              | direct pressure plate           | 1     | 06-10       | n/a         | 20161-64003 |
| E233  | Snap ring                              | direct clutch retainer          | 1     | 06-10       | n/a         | 20161-64203 |
| G236  | Snap ring                              | park guide                      | 6     | 07-10       | AE          | 20161-63103 |
| <b>PUMP PARTS AND PUMPS</b>                     |  |                                 |       |             |             |             |
| A240  | Pump assembly                          | 62TE                            | 1     | 06-10       | AE          | 20161-67003 |
| A241  | Body, pump w/gears                     | 62TE                            | 1     | 06-10       | AE          | 20161-67503 |
| A242  | Gears, pump                            | 62TE                            | 1     | 06-10       | AE          | 20161-68104 |
| A243  | Stator, pump                           | 62TE                            | 1     | 06-10       | AE          | 20161-68503 |
| <b>HARD PARTS</b>                               |  |                                 |       |             |             |             |
| A247  | Spring, diaphragm                      | overdrive/reverse clutch        | 1     | 06-10       | 4412202     | 49745-R     |
| A245  | Shaft, input                           | turbine shaft                   | 1     | 07-10       | AE          | 20161-72103 |
| A246  | Hub, input clutch                      | 62TE                            | 1     | 07-10       | AE          | 20161-72303 |
| A247  | Spring, diaphragm                      | 62TE                            | 1     | 06-10       | 4412202     | 49745-R     |
| A248  | Piston, reverse/overdrive housing      | 62TE                            | 1     | 07-10       | AE          | 20161-72503 |
| A249  | Retainer, input housing                | 62TE                            | 1     | 07-10       | AE          | 20161-72703 |
| B250  | Piston, underdrive .550"               | 62TE                            | 1     | 06-10       | 4431611     | 49739       |
| B251  | Spring, return                         | underdrive clutch               | 1     | 07-10       | AE          | 20161-73103 |
| B253  | Hub, underdrive w/shaft                | 62TE                            | 1     | 07-10       | n/a         | 20161-73204 |
| B253  | Hub, underdrive w/shaft                | 62TE                            | 1     | 07-10       | AE          | 20161-73203 |
| B254  | Hub, overdrive w/shaft                 | 62TE                            | 1     | 07-10       | n/a         | 20161-73404 |
| B254  | Hub, overdrive w/shaft                 | 62TE                            | 1     | 07-10       | AE          | 20161-73403 |
| B255  | Hub, 2/4 clutch w/sun gear             | 62TE                            | 1     | 07-10       | n/a         | 20161-73604 |
| B255  | Hub, 2/4 clutch w/sun gear             | 62TE                            | 1     | 07-10       | AE          | 20161-73603 |
| B257  | Retainer, 2/4 clutch housing           | 62TE                            | 1     | 07-10       | AE          | 20161-73803 |



| ILL                           | DESCRIPTION                      | QTY               | YEAR | REFERENCE # | PART # |             |
|-------------------------------|----------------------------------|-------------------|------|-------------|--------|-------------|
| <b>HARD PARTS (CONTINUED)</b> |                                  |                   |      |             |        |             |
| B259                          | Spring, diaphragm                | 62TE              | 1    | 07-10       | AE     | 49746-R     |
| C260                          | Planetary, front                 | 62TE              | 1    | 07-10       | n/a    | 20161-74204 |
| C260                          | Planetary, front                 | 62TE              | 1    | 07-10       | AE     | 20161-74203 |
| C261                          | Gear, front ring                 | 62TE              | 1    | 07-10       | n/a    | 20161-74504 |
| C261                          | Gear, front ring                 | 62TE              | 1    | 07-10       | AE     | 20161-74503 |
| C262                          | Gear, rear sun                   | 62TE              | 1    | 07-10       | n/a    | 20161-74704 |
| C262                          | Gear, rear sun                   | 62TE              | 1    | 07-10       | AE     | 20161-74703 |
| C263                          | Planetary, rear w/shaft          | 62TE              | 1    | 07-10       | n/a    | 20161-75004 |
| C263                          | Planetary, rear w/shaft          | 62TE              | 1    | 07-10       | AE     | 20161-75003 |
| C265                          | Spring, diaphragm                | 62TE              | 1    | 07-10       | AE     | 49747-R     |
| C266                          | Retainer, low/reverse            | 62TE              | 1    | 07-10       | AE     | 20161-75304 |
| C268                          | Gear, transfer drive             | 62TE              | 1    | 07-10       | AE     | 20161-75503 |
| C269                          | Bolt, transfer gear to planetary | 62TE              | 1    | 07-10       | AE     | 20161-75803 |
| C270                          | Plate, transfer drive gear       | 62TE              | 1    | 07-10       | AE     | 20161-75903 |
| C271                          | Plate, transfer drive gear       | 62TE              | 1    | 07-10       | AE     | 20161-76003 |
| C272                          | Bolt, transfer plate support     | 62TE              | 2    | 07-10       | AE     | 20161-76103 |
| D273                          | Race, outer sprag                | 62TE              | 1    | 07-10       | AE     | 20161-76203 |
| D274                          | Race, inner sprag                | 62TE              | 1    | 07-10       | AE     | 20161-76303 |
| D275                          | Spring, diaphragm                | low clutch return | 1    | 07-10       | AE     | 20161-76503 |
| D277                          | Housing, low clutch              | 62TE              | 1    | 07-10       | AE     | 20161-76703 |
| D278                          | Shaft, transfer                  | 62TE              | 1    | 07-10       | AE     | 20161-76903 |
| D279                          | Retainer, bearing transfer gear  | 62TE              | 1    | 07-10       | AE     | 20161-77103 |
| D281                          | Gear, transfer driven            | 62TE              | 1    | 07-10       | AE     | 20161-77203 |
| D282                          | Nut, transfer driven gear        | 62TE              | 1    | 07-10       | AE     | 20161-77503 |
| E284                          | Gear, pinion                     | 62TE              | 1    | 07-10       | AE     | 20161-77803 |
| E285                          | Retainer, bearing output hub     | 62TE              | 1    | 07-10       | AE     | 20161-78003 |
| E286                          | Hub, output w/shaft              | park gear         | 1    | 07-10       | AE     | 20161-78203 |
| E288                          | Gear, output planetary ring      | 62TE              | 1    | 07-10       | AE     | 20161-78503 |
| E289                          | Planetary, output                | 62TE              | 1    | 07-10       | AE     | 20161-78703 |
| E290                          | Gear, output sun                 | 62TE              | 1    | 07-10       | AE     | 20161-78903 |
| E291                          | Hub, direct clutch               | 62TE              | 1    | 07-10       | AE     | 20161-79103 |
| E293                          | Spring, direct clutch return     | 62TE              | 1    | 07-10       | AE     | 20161-79303 |
| E294                          | Housing, direct clutch           | 62TE              | 1    | 07-10       | AE     | 20161-79503 |
| F296                          | Retainer, bearing differential   | 62TE              | 1    | 07-10       | AE     | 20161-79703 |
| F297                          | Plate, differential bearing      | 62TE              | 1    | 07-10       | AE     | 20161-79803 |
| F300                          | Differential, w/spider gears     | 62TE              | 1    | 07-10       | AE     | 20161-80103 |
| F301                          | Gear, ring                       | 62TE              | 1    | 07-10       | AE     | 20161-80403 |
| F302                          | Plate, differential bearing      | 62TE              | 1    | 07-10       | AE     | 20161-80703 |
| G305                          | Housing, differential cover      | 62TE              | 1    | 07-10       | AE     | 20161-81003 |
| G306                          | Case, main                       | 62TE              | 1    | 07-10       | AE     | 20161-81203 |
| G307                          | Pan, bottom                      | 62TE              | 1    | 07-10       | AE     | 20161-81503 |
| G308                          | Scavenger, oil                   | 62TE              | 1    | 07-10       | AE     | 20161-81603 |
| G309                          | Spring, accumulator              | 62TE              | 6    | 07-10       | AE     | 20161-81703 |
| G310                          | Piston, accumulator              | 62TE              | 6    | 07-10       | AE     | 20161-81803 |
| G312                          | Pin, park pawl                   | 62TE              | 1    | 07-10       | AE     | 20161-82003 |
| G313                          | Pawl, park                       | 62TE              | 1    | 07-10       | AE     | 20161-82103 |
| G314                          | Spring, park pawl                | 62TE              | 1    | 07-10       | AE     | 20161-82203 |
| G316                          | Guide, park rod                  | 62TE              | 1    | 07-10       | AE     | 20161-82303 |
| G318                          | Spring, detent w/roller          | 62TE              | 1    | 07-10       | AE     | 20161-82503 |
| G319                          | Shaft, manual shift              | 62TE              | 1    | 07-10       | AE     | 20161-82603 |
| G323                          | Pan, side cover                  | 62TE              | 1    | 07-10       | AE     | 20161-82703 |
| G325                          | Body, valve                      | 62RE              | 1    | 07-10       | AE     | 20161-83003 |
| G330                          | Pan, side cover                  | 62TE              | 1    | 07-10       | AE     | 20161-83503 |





JF011E  
82230-

| ILL                                  | DESCRIPTION   | QTY | YEAR  | REFERENCE # | PART #      |
|--------------------------------------|---|-----|-------|-------------|-------------|
| <b>TECHNICAL MANUALS</b>             |   |     |       |             |             |
| K53                                  | Tech manual JF011E dis/assembly diagnosis & troubleshooting | 1   | 07-10 | n/a         | 010-135     |
| <b>REBUILDER KITS</b>                |   |     |       |             |             |
| K5                                   | Master kit w/steels JF011E (JATCO)                          | 1   | 07-08 | AE          | 82230-11004 |
| K6                                   | Master kit w/o steels JF011E (JATCO)                        | 1   | 07-10 | AE          | 82230-12004 |
| K7                                   | O/H gasket set w/seals-rings JF011E (JATCO)                 | 1   | 07-08 | n/a         | 82230-13004 |
| <b>GASKETS AND RUBBER COMPONENTS</b> |   |     |       |             |             |
| G1                                   | Gasket, pan JF011E (JATCO)                                  | 1   | 07-10 | n/a         | 82230-19004 |
| G15                                  | O'ring oil filter   | 1   | 07-10 | n/a         | 82230-22104 |
| <b>METAL CLAD SEALS</b>              |   |     |       |             |             |
| A30                                  | Seal, metal clad front                                      | 1   | 07-10 | n/a         | 82230-30004 |
| G33                                  | Seal, metal clad axle                                       | 1   | 07-10 | n/a         | 82230-30304 |
| G36                                  | Seal, metal clad axle                                       | 1   | 07-10 | n/a         | 82230-30404 |
| <b>SEALING RINGS</b>                 |   |     |       |             |             |
| K10                                  | Kit, sealing ring JF011E (JATCO)                            | 1   | 07-10 | n/a         | 82230-31504 |
| <b>CLUTCH PLATES</b>                 |   |     |       |             |             |
| A55                                  | Steel .054" 4.720" id 30T forward clutch                    | 4   | 07-10 | n/a         | 82230-37504 |
| A56                                  | Friction 059" 5.433" od 36T forward clutch                  | 4   | 07-10 | n/a         | 82230-35104 |
| C58                                  | Friction .059" 7.027" od 40T reverse clutch                 | 4   | 07-10 | n/a         | 82230-35304 |
| C59                                  | Steel .055" 6.530" id 12T reverse clutch                    | 4   | 07-10 | n/a         | 82230-37704 |
| <b>PRESSURE PLATES</b>               |   |     |       |             |             |
| A65                                  | Pressure plate forward clutch                               | 1   | 07-10 | AE          | 82230-41203 |
| C67                                  | Pressure plate reverse clutch                               | 1   | 07-10 | AE          | 82230-41403 |
| <b>FILTERS</b>                       |   |     |       |             |             |
| K9                                   | Kit, filter JF011E (JATCO)                                  | 1   | 07-10 | AE          | 82230-44004 |
| G70                                  | Filter, main JF011E (JATCO)                                 | 1   | 07-10 | n/a         | 82230-45004 |
| G71                                  | Filter, inline (cartridge type) JF011E (JATCO)              | 1   | 07-10 | 125711B     | 82230-45104 |
| <b>PUMP PARTS AND PUMPS</b>          |   |     |       |             |             |
| B200                                 | Pump assembly JF011E (JATCO)                                | 1   | 07-10 | AE          | 82230-67003 |
| <b>HARD PARTS</b>                    |   |     |       |             |             |
| A215                                 | Sprocket, pump drive JF011E (JATCO)                         | 1   | 07-10 | AE          | 82230-72303 |
| A217                                 | Chain, pump drive JF011E (JATCO)                            | 1   | 07-10 | AE          | 82230-72503 |
| A218                                 | Support, stator JF011E (JATCO)                              | 1   | 07-10 | AE          | 82230-72703 |
| A220                                 | Shaft, input JF011E (JATCO)                                 | 1   | 07-10 | AE          | 82230-72903 |
| A222                                 | Housing, forward clutch JF011E (JATCO)                      | 1   | 07-10 | AE          | 82230-73203 |
| A225                                 | Retainer, w/springs forward return                          | 1   | 07-10 | AE          | 82230-73503 |
| A229                                 | Gear, ring JF011E (JATCO)                                   | 1   | 07-10 | AE          | 82230-74003 |
| C235                                 | Gear, sun forward clutch hub                                | 1   | 07-10 | AE          | 82230-74603 |
| C236                                 | Planetary, forward JF011E (JATCO)                           | 1   | 07-10 | AE          | 82230-74803 |
| C240                                 | Retainer, w/springs reverse clutch return                   | 1   | 07-10 | AE          | 82230-75103 |
| D242                                 | Belt, variable drive JF011E (JATCO)                         | 1   | 07-10 | AE          | 82230-75503 |
| D252                                 | Pulley, variator #1 JF011E (JATCO)                          | 1   | 07-10 | AE          | 82230-75603 |
| E264                                 | Gear, transfer drive JF011E (JATCO)                         | 1   | 07-10 | AE          | 82230-75803 |
| E269                                 | Pulley, variator #2 JF011E (JATCO)                          | 1   | 07-10 | AE          | 82230-76003 |
| F282                                 | Gear, transfer driven JF011E (JATCO)                        | 1   | 07-10 | AE          | 82230-76503 |
| F283                                 | Gear, pinion JF011E (JATCO)                                 | 1   | 07-10 | AE          | 82230-76703 |
| F285                                 | Carrier, differential w/spider gears JF011E (JATCO)         | 1   | 07-10 | AE          | 82230-77003 |
| F286                                 | Gear, differential ring JF011E (JATCO)                      | 1   | 07-10 | AE          | 82230-77203 |
| G290                                 | Housing, front case half JF011E (JATCO)                     | 1   | 07-10 | AE          | 82230-77503 |
| G294                                 | Housing, main case half JF011E (JATCO)                      | 1   | 07-10 | AE          | 82230-77703 |
| G295                                 | Pan, bottom JF011E (JATCO)                                  | 1   | 07-10 | AE          | 82230-78003 |
| G302                                 | Valve body JF011E (JATCO)                                   | 1   | 07-10 | AE          | 82230-78603 |
| G320                                 | Housing, rear case JF011E (JATCO)                           | 1   | 07-10 | AE          | 82230-80103 |
| G323                                 | Cooler, oil JF011E (JATCO)                                  | 1   | 07-10 | AE          | 82230-81203 |





# Your Most Valuable Tool to Fix TRANSMISSIONS

ATSG



Thousands of transmission shops and general repair facilities worldwide count on the experienced staff and resources at ATSG to help them get the job done right and on time. All of ATSG's certified technicians have years of hands-on experience and are available to answer your tech problems on both foreign and domestic automatic transmissions.

In addition to our Technical Hotline, ATSG offers the latest Books, Software, Bulletins, Seminars and Technical Courses to the Automatic Transmission Professional.

So, stop turning away transmission repair work! ATSG is here to help you solve all your automatic transmission repair problems.

**Call us today at (800) 245-7722**

or visit us online at  
**[www.atsg.biz](http://www.atsg.biz)**

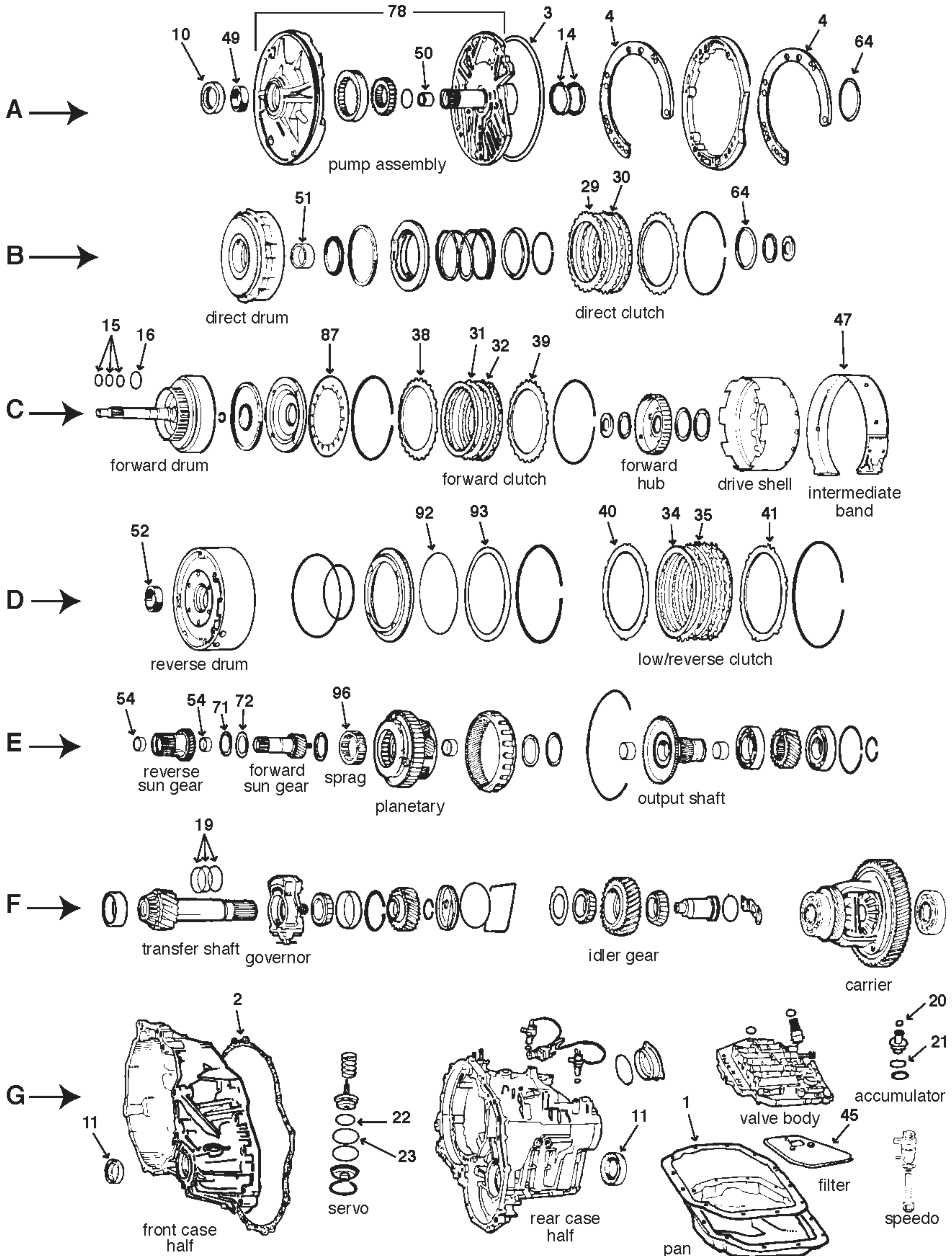
**Try our pay per call option.**

## ***Become a Member Today & Take Advantage of...***

- Our huge library which exceeds any single shop's library.
- Our "Superior Technical Hotline" which outranks the rest.
- 10 knowledgeable technicians which are there to assist you with any problems.
- The savings we provide by solving your transmission problems. One answered question can surpass the value of your subscription fee.



**Expert Help is Just a Phone Call Away.**



KM170/F3A21/KM171/F3A22  
63000

| ILL                                  | DESCRIPTION   | QTY | YEAR  | REFERENCE # | PART #    |
|--------------------------------------|---|-----|-------|-------------|-----------|
| <b>TECHNICAL MANUALS</b>             |   |     |       |             |           |
| K53                                  | Tech manual KM171 dis/assembly diagnosis/troubleshooting        | 1   | 79-97 | 83-171TM    | 010-429   |
| <b>REBUILDER KITS</b>                |   |     |       |             |           |
| K4                                   | Master deluxe rebuild kit KM170-1/KM171-1                       | 1   | 79-81 | AE          | K6300-R   |
| K4                                   | Master deluxe rebuild kit KM170-1/KM171-1                       | 1   | 84-88 | AE          | K6300A-R  |
| K4                                   | Master deluxe rebuild kit (w/10T fwd cl) KM170-1/KM171-1 (only) | 1   | 81-88 | AE          | K6300B-R  |
| K4                                   | Master deluxe rebuild kit KM170-1/KM171-1                       | 1   | 89-97 | AE          | K6300G-R  |
| K5                                   | Master kit w/steels KM170-1/KM171-1                             | 1   | 79-81 | AE          | K6300     |
| K5                                   | Master kit w/steels KM170-1/KM171-1                             | 1   | 84-88 | AE          | K6300A    |
| K5                                   | Master kit w/steels (w/10T forward cl) KM170-1/KM171-1 (only)   | 1   | 81-88 | AE          | K6300B    |
| K5                                   | Master kit w/steels KM170-1/KM171-1                             | 1   | 89-97 | AE          | K6300G    |
| K6                                   | Master kit w/o steels KM170-1/KM171-1                           | 1   | 79-88 | AE          | K6300-LS  |
| K6                                   | Master kit w/o steels (w/10T forward cl) KM170-1/KM171-1 (only) | 1   | 81-88 | AE          | K6300B-LS |
| K6                                   | Master kit w/o steels KM170-1/KM171-1                           | 1   | 89-97 | AE          | K6300G-LS |
| K7                                   | O/H gasket set w/seals-rings KM170-1/KM171-1                    | 1   | 79-88 | AE          | K63900    |
| K7                                   | O/H gasket set w/seals-rings KM170-1/KM171-1                    | 1   | 89-97 | AE          | K63900G   |
| K11                                  | Gasket and seal kit KM170-1/KM171-1                             | 1   | 79-88 | AE          | K63900A-1 |
| K11                                  | Gasket and seal kit KM170-1/KM171-1                             | 1   | 89-97 | AE          | K63900G-1 |
| <b>GASKETS AND RUBBER COMPONENTS</b> |   |     |       |             |           |
| G1                                   | Gasket, oil pan (12 bolt pan) neoprene/cork                     | 1   | 79-97 | MD739235    | 13722X    |
| G1                                   | Gasket, oil pan (12 bolt pan) Duraprene®                        | 1   | 79-97 | MD739235F   | 13722D    |
| G2                                   | Gasket, (paper) case to converter housing                       | 1   | 79-88 | MD707221    | 23100     |
| G2                                   | Gasket, (metal) case to converter housing                       | 1   | 89-97 | MD730804    | 23100A    |
| A3                                   | O'ring pump   | 1   | 79-97 | MD707636    | 23874     |
| A4                                   | Gasket pump   | 1   | 79-97 | MD707652    | 23101     |
| A4                                   | Gasket pump   | 1/2 | 81-97 | MD722385    | 23102     |
| n/i                                  | Washers pump bolts  | 6   | 79-97 | MD707653    | 23108     |
| n/i                                  | Gasket filter   | 1   | 79-81 | MD707782    | 23103     |
| n/i                                  | Gasket filter   | 1   | 82-97 |             | 23104     |
| n/i                                  | O'ring stator shaft to pump cover                               | 1   | 85-97 |             | 23876     |
| n/i                                  | D'ring kickdown servo large (replaces teflon)                   | 1   | 84-97 | MD728448    | 23109     |
| <b>METAL CLAD SEALS</b>              |   |     |       |             |           |
| A10                                  | Seal, metal clad front  | 1   | 79-97 | MD955601    | 63200     |
| G11                                  | Seal, metal clad axle (left and right)                          | 2   | 79-97 | MD707184    | 63201     |
| n/i                                  | Seal, metal clad speedometer                                    | 1   | 79-97 | MD729745    | 63202     |
| n/i                                  | Seal, (teflon) pump gear  | 1   | 89-97 | MD729928    | 63204     |
| <b>SEALING RINGS</b>                 |   |     |       |             |           |
| K10                                  | Kit, sealing ring KM170-1/KM171-1                               | 1   | 79-97 | AE          | K63300    |
| A14                                  | Ring, sealing (metal) 55mm pump stator (front)                  | 2   | 79-97 | MD707646    | 63300     |
| A14                                  | Ring, sealing (teflon) 55mm pump stator (front)                 | 2   | 79-97 | MD713991    | 63300T    |
| C15                                  | Ring, sealing (metal) 24mm input shaft (front)                  | 1/3 | 79-97 | MD707236    | 63305     |
| C15                                  | Ring, sealing (metal) 26mm input shaft (front)                  | 3   | 87-97 | MD720750    | 63313     |
| C15                                  | Ring, sealing (teflon) 26mm input shaft (front)                 | 3   | 87-97 | MD722551    | 63313T    |
| C16                                  | Ring, sealing (metal) 32mm forward drum                         | 1   | 79-97 | MD707235    | 63304     |
| C16                                  | Ring, sealing (metal) 35mm forward drum                         | 1   | 87-97 | MD722639    | 63312     |
| C16                                  | Ring, sealing (teflon) 35mm forward drum                        | 1   | 87-97 | MD722639    | 63312T    |
| C17                                  | Ring, sealing (teflon) 13mm input shaft (rear pilot)            | 1   | 79-96 | MD707237    | 63306T    |
| n/i                                  | Ring, sealing (teflon) 40mm reverse sun gear                    | 1   | 87-97 | MD722278    | 63315T    |
| n/i                                  | Ring, sealing (metal) 50mm overdrive (end clutch cover)         | 1   | 85-97 | MD711875    | 63314     |
| F19                                  | Ring, sealing (metal) 35.3mm governor                           | 3   | 79-97 | MD715020    | 63301     |
| F19                                  | Ring, sealing (teflon) 35.3mm governor                          | 3   | 79-97 | MD715020    | 63301T    |
| G20                                  | Ring, sealing (metal) 22.35mm accumulator piston (small)        | 1   | 79-97 | MD707204    | 63302     |
| G21                                  | Ring, sealing (metal) 45mm accumulator piston (large)           | 1   | 79-97 | MD707202    | 63303     |
| G21                                  | Ring, sealing (teflon) 45mm accumulator piston (large)          | 1   | 79-97 | MD707202    | 63303T    |

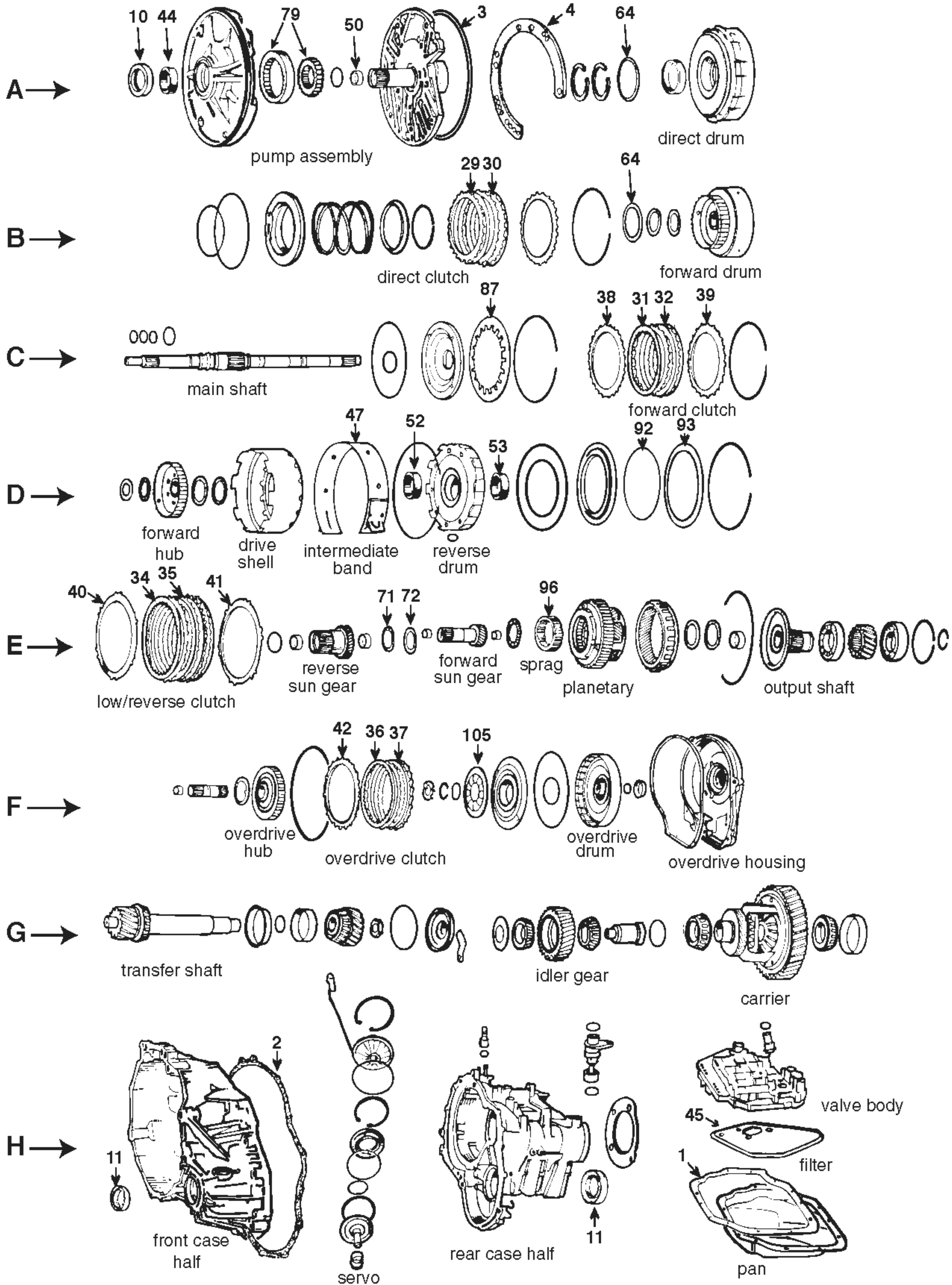


# KM170•F3A21•KM171•F3A22

KM170•F3A21•2

| ILL                              | DESCRIPTION                           | QTY                              | YEAR | REFERENCE # | PART #          |          |
|----------------------------------|---------------------------------------|----------------------------------|------|-------------|-----------------|----------|
| <b>SEALING RINGS (CONTINUED)</b> |                                       |                                  |      |             |                 |          |
| G22                              | Ring, sealing (teflon) 49.5mm         | kickdown servo (small)           | 1    | 84-97       | MD715047        | 63308T   |
| G22                              | Ring, sealing (teflon) 53mm           | kickdown servo (small)           | 1    | 84-97       | MD716881        | 63307T   |
| G23                              | Ring, sealing (teflon) 78mm           | kickdown servo (large)           | 1    | 84-97       | MD727999        | 63310T   |
| G23                              | Ring, sealing (teflon) 82mm           | kickdown servo (large)           | 1    | 87-97       | MD722769        | 63316T   |
| <b>CLUTCH PLATES</b>             |                                       |                                  |      |             |                 |          |
| B29                              | Friction .075" 4.995" od 38T          | direct clutch (front)            | 2/3  | 79-88       | MD713655        | 63750    |
| B29                              | Friction .075" 4.996" od 38T          | direct clutch (front)            | 2/3  | 89-97       | MD722555        | 63750A   |
| B30                              | Steel .150" 3.970" id 24T             | direct clutch (front)            | 3/4  | 79-88       | MD707256        | 63751    |
| B30                              | Steel .146" 4.117" id 24T             | direct clutch (front)            | 3/4  | 89-97       | MD722559        | 63759    |
| C31                              | Friction .075" 4.995" od 38T          | forward clutch (rear) small id   | 2    | 79-81       | MD713655        | 63750    |
| C31                              | Friction .075" 4.995" od 10T          | forward clutch (rear)            | 2/3  | 81-88       | MD714345        | 63740    |
| C31                              | Friction .075" 4.995" od 38T          | forward clutch (rear) small id   | 3    | 84-88       | MD713655        | 63750    |
| C31                              | Friction .075" 4.996" od 38T          | forward clutch (rear) large id   | 2/3  | 89-97       | MD737892        | 63750A   |
| C32                              | Steel .071" 3.970" id 24T             | forward clutch (rear)            | 1/2  | 79-88       | MD707255        | 63751A   |
| C32                              | Steel .071" 4.117" id 24T             | forward clutch (rear)            | 1/2  | 89-97       | MD722556        | 63751B   |
| D34                              | Friction .072" 5.984" od 48T          | low/reverse clutch               | 4/6  | 79-88       | MD728108        | 63760    |
| D34                              | Friction .071" 5.997" od 51T          | low/reverse clutch               | 6    | 89-97       | MD719833        | 63760B   |
| D35                              | Steel .071" 4.996" id 6T              | KM170-0 (low/reverse clutch)     | 3    | 79-81       | MD707401        | 63752    |
| D35                              | Steel .071" 4.996" id 12T             | KM170-1/2/3 (low/reverse clutch) | 3    | 82-84       | MD707425        | 63752A   |
| D35                              | Steel .071" 4.996" id 24T             | KM171-0/1/2 (low/reverse clutch) | 3    | 85-88       | MD715438        | 63752B   |
| D35                              | Steel .039" 4.996" id 24T             | KM172-0/1 (low/reverse clutch)   | 5    | 84-88       | MD704948        | 63752C   |
| D35                              | Steel .071" 5.284" 20T                | KM171/5 (low/reverse clutch)     | 3    | 89-92       | MD727799        | 63752F   |
| D35                              | Steel .039" 5.284" id 20T             | low/reverse clutch               | 5    | 93-97       | MD727798        | 63752E   |
| <b>PRESSURE PLATES</b>           |                                       |                                  |      |             |                 |          |
| C38                              | Pressure plate (beveled)              | forward                          | 1    | 79-88       | MD707251        | 63754-R  |
| C38                              | Pressure plate 5.08mm .200" (beveled) | forward                          | 1    | 89-97       | MD732408        | 63754A-R |
| C39                              | Pressure plate .146" (stamped S)      | forward                          | 1    | 79-88       | MD715064        | 63759B   |
| C39                              | Pressure plate 3.81mm .150" 24T       | forward                          | 1    | 89-97       | MD722557        | 63751C   |
| D40                              | Pressure plate (beveled)              | low/reverse                      | 1    | 79-84       | MD707400        | 63753-R  |
| D40                              | Pressure plate (beveled)              | low/reverse                      | 1    | 85-88       | MD715147        | 63753B-R |
| D40                              | Pressure plate (beveled)              | low/reverse                      | 1    | 89-97       | MD727801        | 63753C-R |
| D41                              | Pressure plate .150" 6T               | low/reverse                      | 1    | 79-84       | MD707402        | 63756    |
| D41                              | Pressure plate .146" 24T              | low/reverse                      | 1    | 85-88       | MD715148        | 63756A-R |
| D41                              | Pressure plate 20T                    | low/reverse                      | 1    | 89-97       | MD727800        | 63756B-R |
| <b>FILTERS</b>                   |                                       |                                  |      |             |                 |          |
| K9                               | Kit, fliter                           | neoprene/cork                    | 1    | 79-81       | AE              | FK63800  |
| K9                               | Kit, fliter                           | Duraprene®                       | 1    | 79-81       | AE              | DK63800  |
| K9                               | Kit, fliter (also 1989 Hyundai)       | neoprene/cork                    | 1    | 82-88       | AE              | FK63800A |
| K9                               | Kit, fliter (also 1989 Hyundai)       | Duraprene®                       | 1    | 82-88       | AE              | DK63800A |
| K9                               | Kit, fliter                           | KM172-0/1                        | 1    | 89-96       | AE              | FK63800C |
| K9                               | Kit, fliter                           | KM172-0/1                        | 1    | 89-96       | AE              | DK63800C |
| G45                              | Filter                                | KM172-0/1                        | 1    | 79-81       | MD707786        | 63800    |
| G45                              | Filter                                | also 1989 Hyundai                | 1    | 82-88       | MD729955        | 63800A   |
| G45                              | Filter                                | KM171-5 (except above)           | 1    | 89-96       | MD737840        | 63800C   |
| n/i                              | Screen, filter                        | governor                         | 1    | 79-97       | MD707803        | 63712    |
| n/i                              | Screen, filter                        | valve body                       | 1    | 79-97       | MD714223        | 63711    |
| n/i                              | Bolt kit, filter                      | use w/63800C                     | 1    | 89-96       | BOLT KIT        | 63330    |
| <b>BANDS</b>                     |                                       |                                  |      |             |                 |          |
| C47                              | Band, flex 1.550" (narrow)            | kickdown                         | 1    | 79-97       | MD725287/713179 | 63700    |
| <b>BUSHINGS</b>                  |                                       |                                  |      |             |                 |          |
| K13                              | Kit, bushing                          | KM170/171                        | 1    | 79-88       | AE              | K63901   |
| K13                              | Kit, bushing                          | KM172                            | 1    | 84-88       | AE              | K63901A  |
| K13                              | Kit, bushing                          | KM171-5/F3A21-2                  | 1    | 88-97       | AE              | K63901B  |

| ILL                                 | DESCRIPTION  |     | QTY   | YEAR     | REFERENCE #     | PART #   |
|-------------------------------------|--|-----|-------|----------|-----------------|----------|
| <b>BUSHINGS (CONTINUED)</b>         |  |     |       |          |                 |          |
| A49                                 | Bushing pump body  |     | 1     | 79-97    | n/a             | 63001    |
| A50                                 | Bushing KM170/171/172 (stator support)                       |     | 1     | 79-97    | n/a             | 63000    |
| B51                                 | Bushing direct drum all                                      |     | 1     | 79-97    | MD707283        | 63002    |
| D52                                 | Bushing 1.540" id low/reverse drum                           |     | 2     | 79-85    | 010-323415      | 40022    |
| n/i                                 | Bushing 1.704" id center support (front)                     |     | 2     | 79-97    | MD731163A       | 63004    |
| n/i                                 | Bushing 1.580" id stator support (rear)                      |     | 2     | 84-97    | MD731163R       | 63009    |
| E54                                 | Bushing reverse sun gear                                     |     | 2     | 79-97    | MD707463        | 63005    |
| n/i                                 | Bushing forward sun gear                                     |     | 2     | 79-97    | MD712766        | 63006    |
| <b>WASHERS/BEARINGS/RACES/SHIMS</b> |  |     |       |          |                 |          |
| AB64                                | Washer, thrust .072" (fiber) stator support (front and rear) | sel | 79-88 | MD707901 |                 | 63400    |
| AB64                                | Washer, thrust .084" (fiber) stator support (front and rear) | sel | 79-88 | MD707902 |                 | 63400A   |
| AB64                                | Washer, thrust .101" (fiber) stator support (front and rear) | sel | 79-88 | MD707903 |                 | 63400B   |
| E71                                 | Bearing, thrust reverse sun gear to race                     |     | 1     | 79-97    | MD728763        | 63425    |
| E72                                 | Race thrust bearing to forward sun gear                      |     | 1     | 79-97    | MD728764        | 63426    |
| <b>PUMP PARTS AND PUMPS</b>         |  |     |       |          |                 |          |
| A78                                 | Pump, assembly 1 little ring                                 |     | 1     | 79-81    | MD707629        | 63910-R  |
| A78                                 | Pump, assembly 2 little rings                                |     | 1     | 81-97    | MD707570        | 63910A-R |
| A78                                 | Pump, assembly 3 little rings                                |     | 1     | 84-86    | MD707571        | 63910B-R |
| <b>HARD PARTS</b>                   |  |     |       |          |                 |          |
| C87                                 | Spring, diaphragm 12F forward clutch (rear)                  |     | 1     | 79-97    | MD707250        | 63745-R  |
| D92                                 | Spring, waved low/reverse clutch                             |     | 1     | 79-88    | MD707399        | 63638-R  |
| D92                                 | Spring, waved low/reverse clutch                             |     | 1     | 89-97    | MD709830        | 63638A-R |
| D93                                 | Spring, dished low/reverse clutch (cushion)                  |     | 1     | 79-88    | MD707397        | 63704-R  |
| D93                                 | Spring, dished low/reverse clutch (cushion)                  |     | 1     | 89-97    | MD722591        | 63706-R  |
| <b>ELECTRICAL COMPONENTS</b>        |  |     |       |          |                 |          |
| n/i                                 | Solenoid 3 ohms lock-up/TCC                                  |     | 1     | 83-97    | 52-0260         | 5A-780   |
| <b>SPRAGS</b>                       |  |     |       |          |                 |          |
| E96                                 | Sprag .570" low clutch                                       |     | 1     | 79-88    | MD955380        | 63503    |
| E96                                 | Sprag .700" 2.295" od (26 elements) low clutch (6 cyl)       |     | 1     | 84-97    | MD726585/711342 | 61725    |
| E96                                 | Sprag .620" low clutch                                       |     | 1     | 89-97    | MD726486        | 63503A   |
| <b>NOTES</b>                        |  |     |       |          |                 |          |
|                                     |  |     |       |          |                 |          |
|                                     |  |     |       |          |                 |          |
|                                     |  |     |       |          |                 |          |
|                                     |  |     |       |          |                 |          |
|                                     |  |     |       |          |                 |          |
|                                     |  |     |       |          |                 |          |
|                                     |  |     |       |          |                 |          |
|                                     |  |     |       |          |                 |          |
|                                     |  |     |       |          |                 |          |
|                                     |  |     |       |          |                 |          |
|                                     |  |     |       |          |                 |          |
|                                     |  |     |       |          |                 |          |
|                                     |  |     |       |          |                 |          |
|                                     |  |     |       |          |                 |          |
|                                     |  |     |       |          |                 |          |
|                                     |  |     |       |          |                 |          |
|                                     |  |     |       |          |                 |          |
|                                     |  |     |       |          |                 |          |
|                                     |  |     |       |          |                 |          |
|                                     |  |     |       |          |                 |          |
|                                     |  |     |       |          |                 |          |
|                                     |  |     |       |          |                 |          |
|                                     |  |     |       |          |                 |          |
|                                     |  |     |       |          |                 |          |
|                                     |  |     |       |          |                 |          |
|                                     |  |     |       |          |                 |          |
|                                     |  |     |       |          |                 |          |
|                                     |  |     |       |          |                 |          |
|                                     |  |     |       |          |                 |          |
|                                     |  |     |       |          |                 |          |
|                                     |  |     |       |          |                 |          |
|                                     |  |     |       |          |                 |          |



KM175/KM176/KM177/F4A21/F4A22/F4A23  
63000D/E

| ILL                                  | DESCRIPTION                    |  | QTY | YEAR  | REFERENCE #   | PART #    |
|--------------------------------------|--------------------------------|--|-----|-------|---------------|-----------|
| <b>TECHNICAL MANUALS</b>             |                                |  |     |       |               |           |
| K53                                  | Tech manual KM175 dis/assembly | diagnosis/troubleshooting                  | 1   | 85-99 | 83-175TM      | 010-430   |
| K53                                  | Tech manual KM177 dis/assembly | diagnosis/troubleshooting                  | 1   | 87-99 | 83-177TM      | 010-445   |
| <b>REBUILDER KITS</b>                |                                |  |     |       |               |           |
| K4                                   | Master deluxe rebuild kit      |  | 1   | 85-88 | AE            | K6300D-R  |
| K4                                   | Master deluxe rebuild kit      |  | 1   | 89-99 | AE            | K6300E-R  |
| K5                                   | Master kit w/steels            |  | 1   | 85-88 | AE            | K6300D    |
| K5                                   | Master kit w/steels            |  | 1   | 89-99 | AE            | K6300E    |
| K6                                   | Master kit w/o steels          |  | 1   | 85-88 | AE            | K6300D-LS |
| K6                                   | Master kit w/o steels          |  | 1   | 89-99 | AE            | K6300E-LS |
| K7                                   | O/H gasket set w/seals-rings   |  | 1   | 85-88 | AE            | K63900D   |
| K7                                   | O/H gasket set w/seals-rings   |  | 1   | 89-99 | AE            | K63900E   |
| K11                                  | Gasket and seal kit            |  | 1   | 85-88 | AE            | K63900D-1 |
| K11                                  | Gasket and seal kit            |  | 1   | 89-99 | AE            | K63900E-1 |
| K28                                  | Kit, end clutch seal           | combo                                      | 1   | 85-99 | AE            | K63900-3  |
| K28                                  | Kit, end clutch seal           | KM175 (only)                               | 1   | 85-88 | AE            | K63900D-3 |
| <b>VALVE BODY KITS</b>               |                                |  |     |       |               |           |
| K15                                  | Shift Kit®                     | w/4 solenoids                              | 1   | 85-99 | SK® KM-175/77 | K63908    |
| K15                                  | Valve Body Calibration System  | w/4 solenoids                              | 1   | 93-99 | TL-175        | G63908    |
| K15                                  | Valve Body Calibration System  | w/6 solenoids                              | 1   | 93-99 | TL-175-6      | G63908F   |
| <b>GASKETS AND RUBBER COMPONENTS</b> |                                |  |     |       |               |           |
| H1                                   | Gasket, oil pan (12 bolt pan)  | neoprene/cork                              | 1   | 79-99 | MD707183      | 13722X    |
| H1                                   | Gasket, oil pan (12 bolt pan)  | Duraprene®                                 | 1   | 79-99 | MD707122f     | 13722D    |
| H1                                   | Gasket, oil pan (13 bolt pan)  | KM177 (neoprene/cork)                      | 1   | 87-99 | MD722527      | 13723X    |
| H1                                   | Gasket, oil pan (13 bolt pan)  | KM177 (Duraprene®)                         | 1   | 87-99 | MD722527f     | 13723D    |
| H2                                   | Gasket, (paper)                | front case half to rear case half          | 1   | 85-88 | MD707221      | 23100     |
| H2                                   | Gasket, (metal)                | front case half to rear case half          | 1   | 89-99 | MD730804      | 23100A    |
| A3                                   | O'ring                         | pump body to front case half               | 1   | 85-99 | MD707636      | 23874     |
| A4                                   | Gasket                         | pump body to rear case half                | 1/2 | 85-99 | MD722385      | 23102     |
| n/i                                  | Washers                        | pump bolts to pump body                    | 6   | 85-99 | MD707653      | 23108     |
| n/i                                  | D'ring                         | KM175-1 (kickdown servo lg)(replaces tef)  | 1   | 85-99 | MD728448      | 23109     |
| n/i                                  | D'ring                         | KM175/77 (kickdown servo lg)(replaces tef) | 1   | 87-99 |               | 23110     |
| n/i                                  | O'ring                         | stator shaft (w/lock-up)                   | 1   | 85-99 |               | 23876     |
| <b>METAL CLAD SEALS</b>              |                                |  |     |       |               |           |
| A10                                  | Seal, metal clad               | front                                      | 1   | 79-99 | MD955601      | 63200     |
| H11                                  | Seal, metal clad               | axle (left and right)                      | 2   | 79-99 | MD707184      | 63201     |
| H11                                  | Seal, metal clad (not in kits) | V-6 Sonata axle (left and right)           | 2   | 96-98 | 45319-38040   | 63201A    |
| n/i                                  | Seal, metal clad .650" id      | end clutch                                 | 1   | 85-88 | MD722531      | 63203     |
| n/i                                  | Seal, metal clad .500" id      | end clutch                                 | 1   | 89-99 | MD736847      | 63203A    |
| n/i                                  | Seal, (teflon)                 | pump gear                                  | 1   | 89-99 | MD729928      | 63204     |
| n/i                                  | Seal, metal clad               | speedo housing                             | 1   | 79-99 | MD729745      | 63202     |
| <b>SEALING RINGS</b>                 |                                |  |     |       |               |           |
| K10                                  | Kit, sealing ring              |  | 1   | 85-99 | AE            | K63300    |
| <b>CLUTCH PLATES</b>                 |                                |  |     |       |               |           |
| B29                                  | Friction .075" 4.995" od 38T   | direct clutch (front)                      | 2/3 | 85-88 | MD713655      | 63750     |
| B29                                  | Friction .075" 4.996" od 38T   | direct clutch (front)                      | 2/3 | 89-99 | MD722555      | 63750A    |
| B30                                  | Steel .150" 3.970" id 24T      | direct clutch (front)                      | 3/4 | 85-88 | MD707256      | 63751     |
| B30                                  | Steel .146" 4.117" id 24T      | direct clutch (front)                      | 3/4 | 89-92 | MD722559      | 63759     |
| B30                                  | Steel .122" 4.115" id 24T      | direct clutch (front)                      | 3/4 | 92-99 | MD739509      | 63759C    |
| C31                                  | Friction .075" 4.995" od 38T   | forward clutch (rear)                      | 3   | 85-88 | MD707257      | 63750     |
| C31                                  | Friction .075" 4.996" od 38T   | forward clutch (rear)                      | 2/3 | 89-99 | MD722555      | 63750A    |
| C32                                  | Steel .071" 3.970" id 24T      | forward clutch (rear)                      | 2   | 85-88 | MD707255      | 63751A    |
| C32                                  | Steel .071" 4.117" id 24T      | forward clutch (rear)                      | 1/2 | 89-99 | MD722556      | 63751B    |
| E34                                  | Friction .072" 5.984" od 48T   | low/reverse clutch                         | 4/6 | 85-88 | MD728108      | 63760     |



# KM175•KM176•KM177•F4A21•F4A22•F4A23

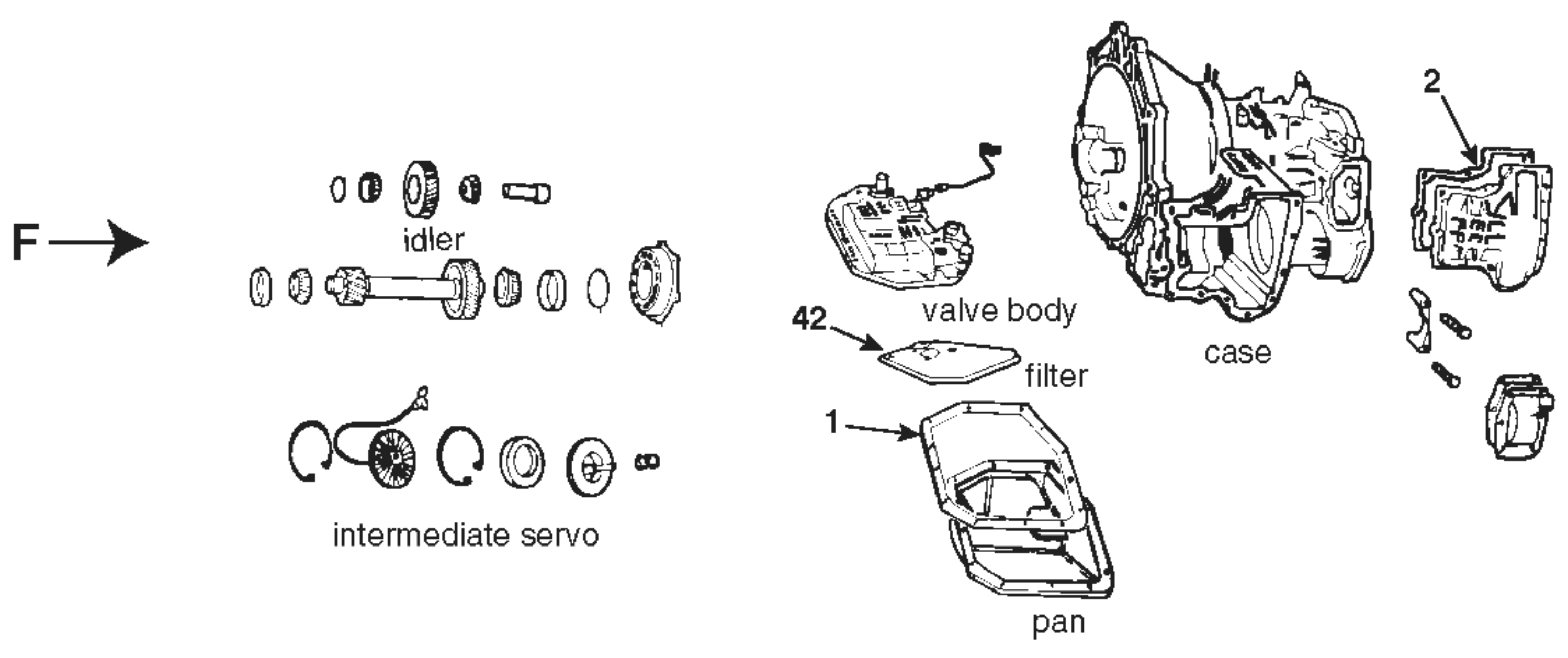
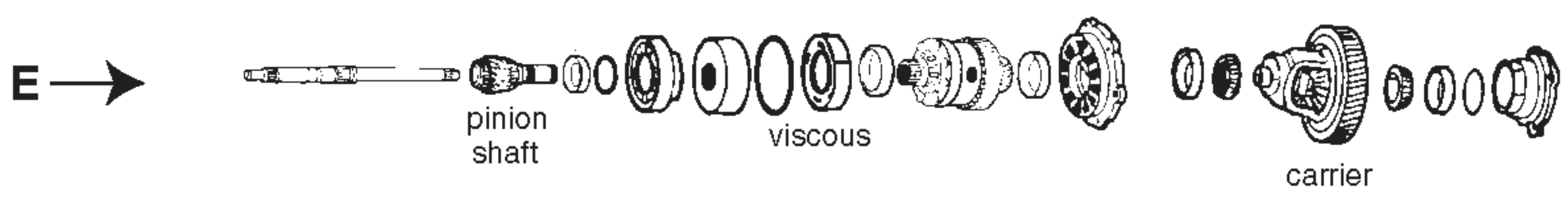
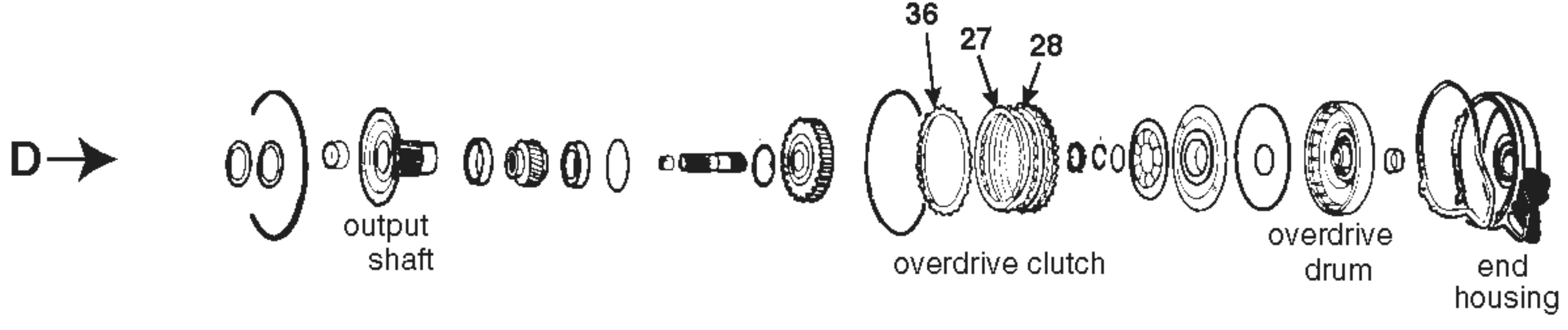
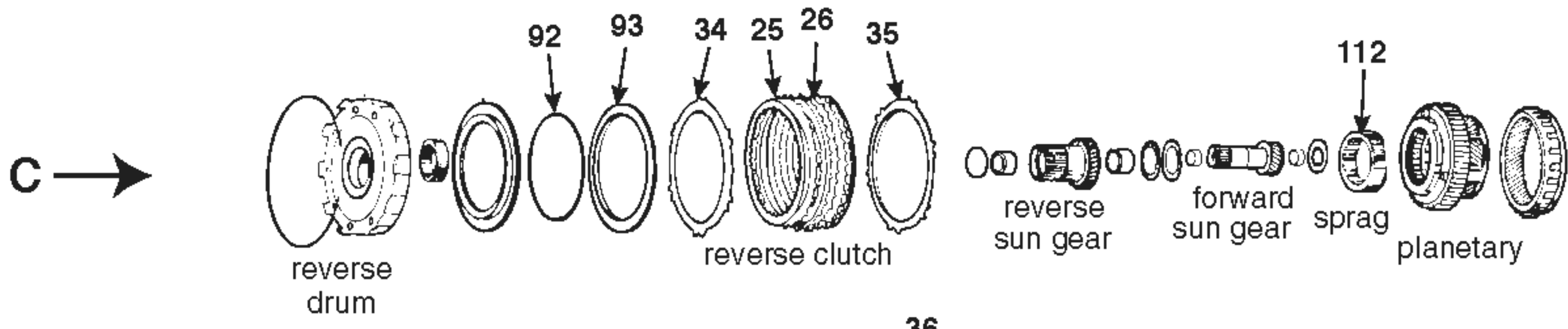
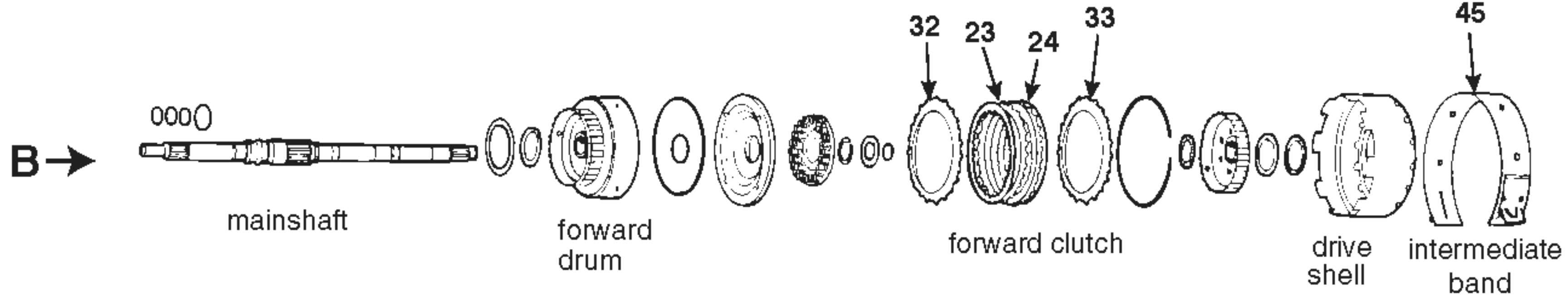
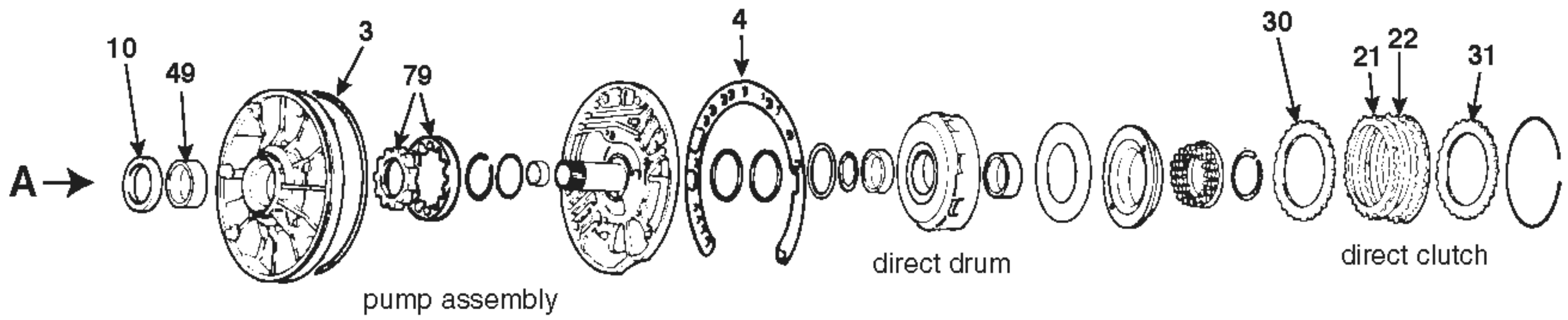
KM175•F4A21•22•23

| ILL                                 | DESCRIPTION   | QTY | YEAR  | REFERENCE #   | PART #   |
|-------------------------------------|---|-----|-------|---------------|----------|
| <b>CLUTCH PLATES (CONTINUED)</b>    |   |     |       |               |          |
| E34                                 | Friction .071" 5.997" od 51T<br>low/reverse clutch              | 6   | 89-99 | MD719833      | 63760B   |
| E35                                 | Steel .039" 4.996" id 24T<br>low/reverse clutch                 | 5   | 85-88 | MD704948      | 63752C   |
| E35                                 | Steel .039" 5.284" id 24T<br>KM177-0 (low/reverse clutch)       | 5   | 88-99 | MD719834      | 63752D   |
| E35                                 | Steel .039" 5.284" id 20T<br>low/reverse clutch                 | 5   | 87-88 | MD727798      | 63752E   |
| E35                                 | Steel .071" 5.284" 20T<br>low/reverse clutch                    | 3   | 89-92 | MD727799      | 63752F   |
| F36                                 | Friction .072" 4.839" od 40T<br>overdrive clutch                | 3/4 | 85-99 | MD729333      | 63755    |
| F37                                 | Steel .032" 4.162" id 25T<br>overdrive clutch                   | 3/4 | 85-99 | MD712528      | 63757    |
| <b>PRESSURE PLATES</b>              |   |     |       |               |          |
| C38                                 | Pressure plate (beveled)<br>forward clutch                      | 1   | 85-88 | MD707251      | 63754-R  |
| C38                                 | Pressure plate 5.08mm .200" (beveled)<br>forward clutch         | 1   | 89-99 | MD732408      | 63754A-R |
| C39                                 | Pressure plate .146"<br>forward clutch                          | 1   | 85-88 | MD715064      | 63759-R  |
| C39                                 | Pressure plate 3.81mm .150" 24T<br>forward clutch               | 1   | 89-99 | MD722557      | 63751C   |
| E40                                 | Pressure plate (beveled)<br>low/reverse clutch                  | 1   | 85-87 | MD715147      | 63753B-R |
| E40                                 | Pressure plate (beveled)<br>low/reverse clutch                  | 1   | 88-88 | MD719832      | 63753D-R |
| E40                                 | Pressure plate (beveled)<br>low/reverse clutch                  | 1   | 89-99 | MD727801      | 63753C-R |
| E41                                 | Pressure plate .146" 24T<br>low/reverse clutch                  | 1   | 85-87 | MD715148      | 63756A-R |
| E41                                 | Pressure plate<br>low/reverse clutch                            | 1   | 87-88 | MD719835      | 63756C-R |
| E41                                 | Pressure plate 20T<br>low/reverse clutch                        | 1   | 89-99 | MD727800      | 63756B-R |
| F42                                 | Pressure plate 4.137" id 25T<br>overdrive clutch (end)          | 1   | 85-99 | MD713149      | 63729-R  |
| <b>FILTERS</b>                      |   |     |       |               |          |
| K9                                  | Kit, fliter<br>neoprene/cork (except below)                     | 1   | 85-99 | AE            | FK63800C |
| K9                                  | Kit, fliter<br>Duraprene® (except below)                        | 1   | 85-99 | AE            | DK63800C |
| K9                                  | Kit, fliter (also 1989 Hyundai)<br>neoprene/cork                | 1   | 89-91 | AE            | FK63800A |
| K9                                  | Kit, fliter (also 1989 Hyundai)<br>Duraprene®                   | 1   | 89-91 | AE            | DK63800A |
| K9                                  | Kit, fliter<br>KM177-8 (neoprene/cork)                          | 1   | 87-94 | AE            | FK63800D |
| K9                                  | Kit, fliter<br>KM177-8 (Duraprene®)                             | 1   | 87-94 | AE            | DK63800D |
| H45                                 | Filter<br>except above  | 1   | 85-99 | MD737840      | 63800C   |
| H45                                 | Filter<br>KM175-2/177-8 (also 1989 Hyundai)                     | 1   | 87-94 | MD710056      | 63800A   |
| n/i                                 | Screen, filter<br>valve body                                    | 1   | 85-99 | MD714223      | 63711    |
| n/i                                 | Bolt kit, filter<br>use w/63800C                                | ar  | 85-99 | BOLT KIT      | 63330    |
| <b>BANDS</b>                        |   |     |       |               |          |
| D47                                 | Band, flex 1.550" (narrow)<br>kickdown                          | 1   | 85-99 | MD725287      | 63700    |
| D47                                 | Band, flex 1.750" (wide)<br>kickdown                            | 1   | 88-99 | MD719933      | 63700A   |
| <b>BUSHINGS</b>                     |   |     |       |               |          |
| K13                                 | Kit, bushing<br>KM175-5/F4A22-2                                 | 1   | 85-88 | AE            | K63901C  |
| K13                                 | Kit, bushing<br>KM177-8/F4A23                                   | 1   | 89-99 | AE            | K63901B  |
| K13                                 | Kit, bushing<br>KM176/177 (sun gear)                            | 1   | 89-99 | AE            | K63902   |
| A49                                 | Bushing<br>pump body  | 1   | 85-99 | n/a           | 63001    |
| A50                                 | Bushing<br>KM170/171/172 (stator support)                       | 1   | 85-88 | n/a           | 63000    |
| B51                                 | Bushing<br>direct housing                                       | 1   | 85-99 | MD707283      | 63002    |
| D52                                 | Bushing 1.704" id<br>center support (front)                     | 1   | 85-99 | MD731163A     | 63004    |
| D53                                 | Bushing 1.580" id<br>center support (rear)                      | 1   | 85-99 | MD731163R     | 63009    |
| E54                                 | Bushing<br>reverse sun gear                                     | 2   | 85-99 | MD707463      | 63005    |
| E56                                 | Bushing<br>forward sun gaer                                     | 2   | 85-99 | MD712766      | 63006    |
| <b>WASHERS/BEARINGS/RACES/SHIMS</b> |   |     |       |               |          |
| AB64                                | Washer, thrust .072" (fiber)<br>stator support (front and rear) | sel | 85-99 | MD707901      | 63400    |
| AB64                                | Washer, thrust .084" (fiber)<br>stator support (front and rear) | sel | 85-99 | MD707902      | 63400A   |
| AB64                                | Washer, thrust .101" (fiber)<br>stator support (front and rear) | sel | 85-99 | MD707903      | 63400B   |
| E71                                 | Bearing, thrust<br>reverse sun gear to race                     | 1   | 88-99 | MD955661      | 63425    |
| E72                                 | Race<br>thrust bearing to forward sun gear                      | 1   | 88-99 | MD955677      | 63426    |
| <b>PUMP PARTS AND PUMPS</b>         |   |     |       |               |          |
| A79                                 | Gear set 15T<br>various app 15th                                | 1   | 85-99 | PUMP GEAR SET | K63201B  |

KM175•KM176•KM177•F4A21•F4A22•F4A23

KM175•F4A21•22•23

| ILL                          | DESCRIPTION                                   |                                      | QTY | YEAR  | REFERENCE #      | PART #   |
|------------------------------|---|--------------------------------------|-----|-------|------------------|----------|
| <b>HARD PARTS</b>            |   |                                      |     |       |                  |          |
| C87                          | Spring, diaphragm 12F                         | forward clutch (rear)                | 1   | 85-96 | MD730691         | 63745A-R |
| D92                          | Spring, waved                                 | low/reverse clutch                   | 1   | 85-88 | MD707399         | 63638-R  |
| D92                          | Spring, waved                                 | low/reverse clutch                   | 1   | 89-99 | MD719830         | 63638A-R |
| D93                          | Spring, dished                                | low/reverse clutch (cushion)         | 1   | 85-88 | MD707397         | 63704-R  |
| D93                          | Spring, dished                                | Galant (low/reverse clutch)(cushion) | 1   | 88-90 | MD719831         | 63705-R  |
| D93                          | Spring, dished                                | low/reverse clutch (cushion)         | 1   | 89-99 | MD722591         | 63706-R  |
| F105                         | Spring, beveled                               | overdrive clutch (end)               | 1   | 85-99 | MD712830         | 63745B-R |
| F105                         | Spring, beveled                               | overdrive clutch (end)               | 1   | 88-99 | MD722534         | 63745C-R |
| n/i                          | Shell, drive (12 lug .450" tall lug) 16 holes | 3.550" oh                            | 1   | 85-98 | AE               | 63728D-R |
| n/i                          | Shell, drive (12 lug .750" tall lug) 16 holes | 3.890" oh                            | 1   | 85-98 | AE               | 63728E-R |
| <b>ELECTRICAL COMPONENTS</b> |   |                                      |     |       |                  |          |
| n/i                          | Kit, solenoid master (4-solenoids)            | KM177-8/F4A23                        | 1   | 85-93 | MS-KM175/52-9009 | 25A-045  |
| n/i                          | Kit, solenoid master (4-solenoids)            | w/12 ohm lockup (w/TOT sensor)       | 1   | 93-99 | MS-KM175-93      | 25A-045A |
| n/i                          | Solenoid 3 ohms                               | lock-up/TCC (red wire)               | 1   | 85-92 | 52-0260          | 5A-780   |
| n/i                          | Solenoid 12 ohms                              | lock-up/TCC (white wire)             | 1   | 93-99 | 52-0261          | 5A-781   |
| n/i                          | Solenoid (on/off)                             | shift (orange wire)                  | 1   | 85-99 | 52-0258          | 5A-782   |
| n/i                          | Solenoid (on/off)                             | shift (yellow wire)                  | 1   | 85-99 | 52-0259          | 5A-783   |
| n/i                          | Solenoid 3 ohms                               | EPC (blue wire)                      | 1   | 85-99 | 52-0262          | 5A-784   |
| n/i                          | Harness, external repair                      | 175-5 square connector               | 1   | 85-99 | n/a              | 16A-500  |
| n/i                          | Sensor, pulse generator                       | F4A23                                | 1   | 92-98 | T42436G          | 16A-170  |
| n/i                          | Sensor, pulse generator                       | KM176-5                              | 1   | 90-98 | T42436P          | 16A-173  |
| n/i                          | Sensor, temperature                           | F4A21-2                              | 1   | 85-98 | 42437J           | 16A-175  |
| <b>SPRAGS</b>                |   |                                      |     |       |                  |          |
| E96                          | Sprag .570"                                   | low clutch                           | 1   | 85-88 | MD955380         | 63503    |
| E96                          | Sprag .620"                                   | low clutch                           | 1   | 89-99 | MD726486         | 63503A   |
| E96                          | Sprag .700" 2.295" od (26 elements)           | low clutch (6 cyl.)                  | 1   | 85-99 | MD711342/726485  | 61725    |
| <b>NOTES</b>                 |   |                                      |     |       |                  |          |
|                              |   |                                      |     |       |                  |          |
|                              |   |                                      |     |       |                  |          |
|                              |   |                                      |     |       |                  |          |
|                              |   |                                      |     |       |                  |          |
|                              |   |                                      |     |       |                  |          |
|                              |   |                                      |     |       |                  |          |
|                              |   |                                      |     |       |                  |          |
|                              |   |                                      |     |       |                  |          |
|                              |   |                                      |     |       |                  |          |
|                              |   |                                      |     |       |                  |          |
|                              |   |                                      |     |       |                  |          |
|                              |   |                                      |     |       |                  |          |
|                              |   |                                      |     |       |                  |          |
|                              |   |                                      |     |       |                  |          |
|                              |   |                                      |     |       |                  |          |
|                              |   |                                      |     |       |                  |          |
|                              |   |                                      |     |       |                  |          |
|                              |   |                                      |     |       |                  |          |
|                              |   |                                      |     |       |                  |          |
|                              |   |                                      |     |       |                  |          |
|                              |   |                                      |     |       |                  |          |
|                              |   |                                      |     |       |                  |          |
|                              |   |                                      |     |       |                  |          |
|                              |   |                                      |     |       |                  |          |
|                              |   |                                      |     |       |                  |          |
|                              |   |                                      |     |       |                  |          |
|                              |   |                                      |     |       |                  |          |
|                              |   |                                      |     |       |                  |          |
|                              |   |                                      |     |       |                  |          |
|                              |   |                                      |     |       |                  |          |
|                              |   |                                      |     |       |                  |          |
|                              |   |                                      |     |       |                  |          |
|                              |   |                                      |     |       |                  |          |
|                              |   |                                      |     |       |                  |          |
|                              |   |                                      |     |       |                  |          |
|                              |   |                                      |     |       |                  |          |
|                              |   |                                      |     |       |                  |          |
|                              |   |                                      |     |       |                  |          |
|                              |   |                                      |     |       |                  |          |
|                              |   |                                      |     |       |                  |          |
|                              |   |                                      |     |       |                  |          |



| ILL                                  | DESCRIPTION  | QTY | YEAR  | REFERENCE #   | PART #    |
|--------------------------------------|--|-----|-------|---------------|-----------|
| <b>TECHNICAL MANUALS</b>             |  |     |       |               |           |
| K53                                  | Tech manual F4A3/W4A3 dis/assembly diagnosis/troubleshooting | 1   | 91-99 | 83-F4A3TM     | 010-452   |
| <b>REBUILDER KITS</b>                |  |     |       |               |           |
| K4                                   | Master deluxe rebuild kit F/W4A33-1                          | 1   | 91-99 | AE            | K6300M-R  |
| K4                                   | Master deluxe rebuild kit W4A32-1                            | 1   | 91-95 | AE            | K6300P-R  |
| K5                                   | Master kit w/steels F/W4A33-1                                | 1   | 91-99 | AE            | K6300M    |
| K5                                   | Master kit w/steels W4A32-1                                  | 1   | 91-95 | AE            | K6300P    |
| K6                                   | Master kit w/o steels F/W4A33-1                              | 1   | 91-99 | AE            | K6300M-LS |
| K6                                   | Master kit w/o steels W4A32-1                                | 1   | 91-95 | AE            | K6300P-LS |
| K7                                   | O/H gasket set w/seals-rings all                             | 1   | 91-99 | AE            | K63900M   |
| K28                                  | Kit, end clutch seal all                                     | 1   | 91-99 | AE            | K63900M-3 |
| <b>VALVE BODY KITS</b>               |  |     |       |               |           |
| K15                                  | Shift Kit® w/4 solenoids                                     | 1   | 91-99 | SK® KM-175/77 | K63908    |
| K15                                  | Valve Body Calibration System w/4 solenoids                  | 1   | 93-99 | TL-175        | G63908    |
| K15                                  | Valve Body Calibration System w/6 solenoids                  | 1   | 93-99 | TL-175-6      | G63908F   |
| <b>GASKETS AND RUBBER COMPONENTS</b> |  |     |       |               |           |
| F1                                   | Gasket, oil pan (14 bolt pan) neoprene/cork                  | 1   | 91-99 | MD739243      | 13734X    |
| F1                                   | Gasket, oil pan (14 bolt pan) Duraprene®                     | 1   | 91-99 | MD739243F     | 13734D    |
| F2                                   | Gasket, differential cover (paper type) F/W4A33-1            | 1   | 91-99 | MD739241      | 14082X    |
| F2                                   | Gasket, differential cover (O'ring type) F/W4A33-1           | 1   | 91-99 | MD740733      | 14083     |
| A3                                   | O'ring pump body to case                                     | 1   | 91-99 | MD707636      | 23874     |
| A4                                   | Gasket pump body to case                                     | 1   | 91-99 | MD752978      | 23093     |
| n/i                                  | D'ring W4A32 (kickdown servo lg)(replaces tef)               | 1   | 91-95 | n/a           | 14085     |
| n/i                                  | D'ring F/W4A33 (kickdown servo lg)(replaces tef)             | 1   | 91-99 | n/a           | 14086     |
| n/i                                  | Washers pump bolts   | 6   | 91-99 | MD707653      | 23108     |
| n/i                                  | O'ring stator shaft to pump cover                            | 1   | 91-99 | n/a           | 23876     |
| n/i                                  | Seal low/reverse housing to case                             | 2   | 91-99 | MD727455      | 23011     |
| <b>METAL CLAD SEALS</b>              |  |     |       |               |           |
| A10                                  | Seal, metal clad front                                       | 1   | 91-99 | MD707575      | 63200     |
| n/i                                  | Seal, metal clad F4A33 (axle left and right)                 | 2   | 91-92 | MD707184      | 63201     |
| n/i                                  | Seal, metal clad (not in kits) F4A33 (axle left and right)   | 2   | 92-99 | MD742053      | 63201A    |
| n/i                                  | Seal, metal clad left axle W4A32/33                          | 1   | 91-99 | MD719710      | 63207     |
| n/i                                  | Seal, metal clad W4A32/33                                    | 1   | 91-99 | MD707184      | 63201     |
| n/i                                  | Seal, metal clad center differential shaft W4A32/33          | 1   | 91-99 | MD731793      | 63205     |
| n/i                                  | Seal, metal clad extension housing W4A32/33                  | 1   | 91-99 | MD701430      | 63206     |
| n/i                                  | Seal, metal clad speedo housing                              | 1   | 91-99 | MD729745      | 63202     |
| n/i                                  | Seal, metal clad .500" id overdrive clutch (end)             | 1   | 91-99 | MD736847      | 63203A    |
| <b>SEALING RINGS</b>                 |  |     |       |               |           |
| K10                                  | Kit, sealing ring all  | 1   | 91-99 | AE            | K63300M   |
| <b>CLUTCH PLATES</b>                 |  |     |       |               |           |
| A21                                  | Friction 1.70mm .067" 38T F/W4A33-1 (direct clutch front)    | 4   | 91-99 | MD735828      | 63750M    |
| A21                                  | Friction .075" 4.996" od 38T W4A32-1 (direct clutch front)   | 3   | 91-95 | MD737892      | 63750A    |
| A22                                  | Steel 2.23mm .088" 26T F/W4A33-1 (direct clutch front)       | 3   | 91-99 | MD739384      | 63759M    |
| A22                                  | Steel .122" 4.115" id 24T W4A32-1 (direct clutch front)      | 3   | 91-95 | MD739509      | 63759C    |
| B23                                  | Friction 1.70mm .067" 42T F/W4A33-1 (forward clutch rear)    | 5   | 91-99 | MD731582      | 63750N    |
| B23                                  | Friction .075" 4.996" od 38T W4A32-1 (forward clutch rear)   | 3   | 91-95 | MD737892      | 63750A    |
| B24                                  | Steel 1.80mm .071" 26T F/W4A32-1 (forward clutch rear)       | 5   | 91-99 | MD731604      | 63751M    |
| B24                                  | Steel .071" 4.117" id 24T W4A32-1 (forward clutch rear)      | 2   | 91-95 | MD722556      | 63751B    |
| C25                                  | Friction 1.70mm .067" 54T F/W4A33-1 (low/reverse clutch)     | 5/6 | 91-99 | MD731586      | 63760M    |
| C25                                  | Friction .071" 5.997" od 51T W4A32-1 (low/reverse clutch)    | 6   | 91-95 | MD719833      | 63760B    |
| C26                                  | Steel 1.00mm .039" 20T F/W4A33-1 (low/reverse clutch)        | 4/5 | 91-99 | MD731587      | 63752M    |
| C26                                  | Steel 1.99mm .078" 20T F4A33-1 (Hyundai only)                | ar  | 94-98 | 45622-38010   | 63752P    |
| C26                                  | Steel .039" 5.284" id 20T W4A32-1 (low/reverse clutch)       | 5   | 91-95 | MD727798      | 63752E    |
| D27                                  | Friction .072" 4.839" od 40T overdrive clutch (end)          | 4   | 91-99 | MD729333      | 63755     |



# F4A33-1•W4A32-1•W4A33-1

F4A33-1•W4A32-1•33-1

| ILL                              | DESCRIPTION   | QTY | YEAR  | REFERENCE # | PART #    |
|----------------------------------|---|-----|-------|-------------|-----------|
| <b>CLUTCH PLATES (CONTINUED)</b> |   |     |       |             |           |
| D28                              | Steel .032" 4.162" id 25T overdrive clutch (end)                      | 4   | 91-99 | MD712528    | 63757     |
| <b>PRESSURE PLATES</b>           |   |     |       |             |           |
| A30                              | Pressure plate 3.81mm .150" 26T F/W4A33-1 (direct clutch)             | 1   | 91-99 | MD739385    | 63735-R   |
| A31                              | Pressure plate 5.08mm .200" 26T F/W4A33-1 (direct clutch)             | 1   | 91-99 | MD739386    | 63735A-R  |
| A31                              | Steel .146" 4.117" id 24T W4A32-1 (direct clutch)                     | 1   | 91-95 | MD722559    | 63759     |
| B32                              | Pressure plate F/W4A33-1 (forward clutch)                             | 1   | 91-99 | MD755524    | 63754M-R  |
| B32                              | Pressure plate 5.08mm .200" (beveled) W4A32-1 (forward clutch)        | 1   | 91-95 | MD732408    | 63754A-R  |
| B33                              | Pressure plate F/W4A33-1 (forward clutch)                             | 1   | 91-99 | MD731585    | 63736-R   |
| B33                              | Pressure plate 3.81mm .150" 24T W4A32-1 (forward clutch)              | 1   | 91-95 | MD722557    | 63751C    |
| C34                              | Pressure plate (beveled) F/W4A33-1 (low/reverse)                      | 1   | 91-99 | MD731736    | 63753M-R  |
| C34                              | Pressure plate (beveled) F/W4A32-1 (low/reverse)                      | 1   | 91-95 | MD731721    | 63753C-R  |
| C35                              | Pressure plate F/W4A33-1 (low/reverse)                                | 1   | 91-99 | MD731589    | 63756M-R  |
| C35                              | Pressure plate 20T F/W4A32-1 (low/reverse)                            | 1   | 91-95 | MD727800    | 63756B-R  |
| D36                              | Pressure plate 4.137" id 25T overdrive clutch                         | 1   | 91-99 | MD713149    | 63729-R   |
| <b>FILTERS</b>                   |   |     |       |             |           |
| K9                               | Kit, fliter neoprene/cork   | 1   | 91-99 | AE          | FK63800M  |
| K9                               | Kit, fliter Duraprene®  | 1   | 91-99 | AE          | DK63800M  |
| F42                              | Filter F/W4A33-1  | 1   | 91-99 | MD735572    | 63800M    |
| n/i                              | Screen, filter F/W4A33-1  | 1   | 91-99 | MD714223    | 63711     |
| <b>BANDS</b>                     |   |     |       |             |           |
| B45                              | Band, flex F/W4A33-1 (kickdown)                                       | 1   | 91-99 | MD736920    | 63701     |
| B45                              | Band, flex 1.750" (wide) W4A32-1 (kickdown)                           | 1   | 91-95 | MD719933    | 63700A    |
| <b>BUSHINGS</b>                  |   |     |       |             |           |
| K13                              | Kit, bushing F/W4A33-1  | 1   | 91-99 | AE          | K63901M   |
| K13                              | Kit, bushing W4A32-1  | 1   | 91-95 | AE          | K63901B   |
| A49                              | Bushing W4A32-1/F/W4A33-1 (pump body)                                 | 1   | 91-99 |             | 63001     |
| <b>PUMP PARTS AND PUMPS</b>      |   |     |       |             |           |
| A79                              | Gear set 13T F/W4A33-1 (pump)   | 1   | 91-99 | AE          | K63201M   |
| A79                              | Gear set 15T pump (various app)                                       | 1   | 91-95 | AE          | K63201B   |
| <b>HARD PARTS</b>                |   |     |       |             |           |
| C92                              | Spring, waved low/reverse   | 1   | 91-99 | MD731120    | 63638M-R  |
| C93                              | Spring, dished low/reverse (cushion)                                  | 1   | 91-99 | MD731112    | 63707-R   |
| n/i                              | Spring, wave F/W4A33-1 (forward clutch cushion)                       | 1   | 91-99 | AE          | 63709-R   |
| n/i                              | Gear set, planetary F/W4A33-1   | 1   | 91-99 | AE          | K63950M-R |
| n/i                              | Shell, drive (12 lug .750" tall lug) 16 holes W4A32-1                 | 1   | 91-96 | AE          | 63728E-R  |
| n/i                              | Shell, drive (12 lug .750" tall lug) 16 holes F4A/W4A33-1 4.175" oh   | 1   | 91-99 | AE          | 63728M-R  |
| <b>ELECTRICAL COMPONENTS</b>     |   |     |       |             |           |
| n/i                              | Kit, solenoid master (4-solenoids) F4A33-1                            | 1   | 91-93 | 52-9009     | 25A-045   |
| n/i                              | Kit, solenoid master (4-solenoids) w/12 ohm lockup/TCC (w/TOT sensor) | 1   | 93-99 | 52-9010     | 25A-045A  |
| n/i                              | Solenoid 3 ohms lock-up/TCC (red wire)                                | 1   | 91-92 | 52-0260     | 5A-780    |
| n/i                              | Solenoid 12 ohms lock-up/TCC (white wire)                             | 1   | 93-99 | 52-0261     | 5A-781    |
| n/i                              | Solenoid (on/off) shift (orange wire)                                 | 1   | 91-99 | 52-0258     | 5A-782    |
| n/i                              | Solenoid (on/off) shift (yellow wire)                                 | 1   | 91-99 | 52-0259     | 5A-783    |
| n/i                              | Solenoid 3 ohms EPC (blue wire)                                       | 1   | 91-99 | 52-0262     | 5A-784    |
| n/i                              | Sensor, pulse generator W4A33-1                                       | 1   | 95-98 | T42436M     | 16A-172   |
| n/i                              | Sensor, temperature W4A33-1   | 1   | 95-98 | 42437M      | 16A-176   |
| <b>SPRAGS</b>                    |   |     |       |             |           |
| C112                             | Sprag .700" wide 3.130" od F/W4A33-1 (low clutch)                     | 1   | 91-99 | MD731785    | 63503B    |
| C112                             | Sprag .700" 2.295" od (26 elements) W4A32-1                           | 1   | 91-95 | MD726485    | 61725     |
| <b>NOTES</b>                     |   |     |       |             |           |
|                                  |   |     |       |             |           |
|                                  |   |     |       |             |           |



*Add Some Muscle  
to Your  
Rebuilds ...*

**Muscle MT-10...  
"The Original" Metal Treatment™**

- ✓ Lowers Operating Temperatures
- ✓ Frees Valve Body for Optimum Performance
- ✓ Eliminates Governor Hang-Ups Caused by Contamination & Surface Spiking
- ✓ Keeps Oil Passages, Orifices & Ball Checks Clean & Fully Operational
- ✓ Extends the life of the Transmission by Eliminating Premature Failure with Improved Lubrication
- ✓ Reduces Metal Particle Fallout & Debris Caused by Friction & Wear
- ✓ Removes Varnish Buildup
- ✓ Nearly Eliminates Lock-Up Chatter in the Torque Converter
- ✓ Insures Proper Shifts

**Muscle Products Corp.  
"The Strength in Lubrication"®**

752 Kilgore Road  
Jackson Center, PA 16133 U.S.A.

Phone: 800-227-7049

814-786-0166

Fax: 814-786-7321

Web Site: [www.mpclubricants.com](http://www.mpclubricants.com)

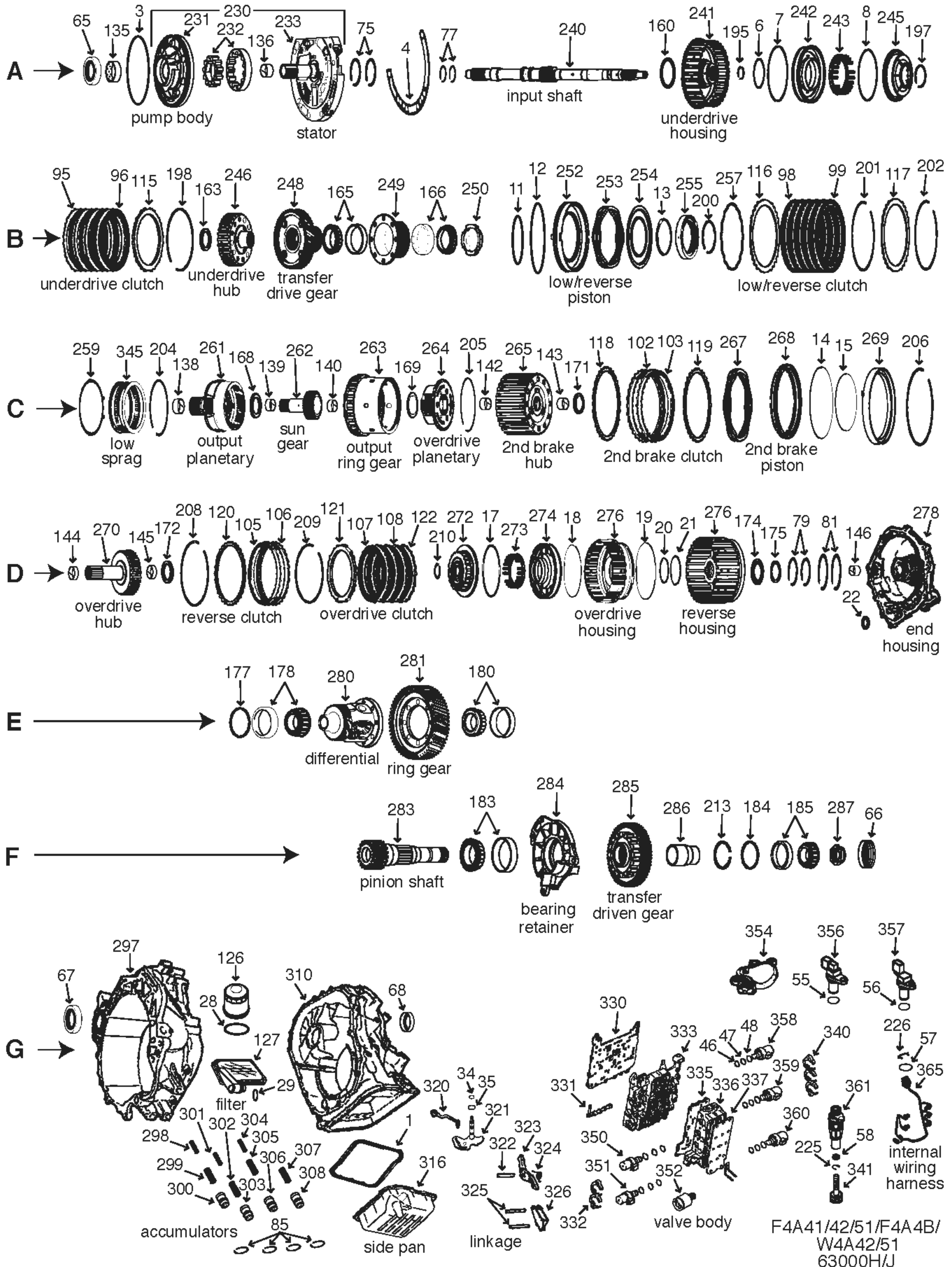
Email: [sales@mpclubricants.com](mailto:sales@mpclubricants.com)



*Serving  
transmission  
specialists  
since 1986*



*...The Key to  
Reducing Costly  
Come Backs*





| ILL                                  | DESCRIPTION   | QTY | YEAR  | REFERENCE # | PART #    |
|--------------------------------------|---|-----|-------|-------------|-----------|
| <b>TECHNICAL MANUALS</b>             |   |     |       |             |           |
| K53                                  | Tech manual F4A41/42/51 dis/assembly diagnosis/troubleshooting    | 1   | 96-10 | F4A51       | 010-110   |
| <b>REBUILDER KITS</b>                |   |     |       |             |           |
| K5                                   | Master kit w/steels F4A41/F4A42                                   | 1   | 96-10 | AE          | K6300H    |
| K5                                   | Master kit w/steels F4A51   | 1   | 96-10 | AE          | K6300J    |
| K6                                   | Master kit w/o steels F4A41/F4A42                                 | 1   | 96-10 | AE          | K6300H-LS |
| K6                                   | Master kit w/o steels F4A51                                       | 1   | 96-10 | AE          | K6300J-LS |
| K7                                   | O/H gasket set w/seals-rings F4A41/F4A42                          | 1   | 96-10 | AE          | K63900H   |
| K7                                   | O/H gasket set w/seals-rings F4A51                                | 1   | 96-09 | AE          | K63900J   |
| <b>GASKETS AND RUBBER COMPONENTS</b> |   |     |       |             |           |
| G1                                   | Gasket, side pan F4A41/F4A42 (Duraprene®)                         | 1   | 96-09 | B11347      | 13011D    |
| G1                                   | Gasket, side pan F4A51 (Duraprene®)                               | 1   | 96-09 | B11346      | 13012D    |
| A3                                   | O'ring all pump to case   | 1   | 96-09 | MD755373    | 1017      |
| A4                                   | Gasket F4A41/F4A42 (pump body to case)                            | 1   | 96-09 | MD758461    | 3902L     |
| A4                                   | Gasket F4A51 (pump to case)                                       | 1   | 96-09 | MD752800    | 3903L     |
| G29                                  | O'ring F4A41/F4A42 (filter)                                       | 1   | 96-09 | MD622023    | 1018      |
| G29                                  | O'ring F4A51 (filter)   | 1   | 96-09 | MD622024    | 23723     |
| G55                                  | O'ring input speed sensor   | 1   | 96-09 | MD610620    | 1021      |
| G56                                  | O'ring output speed sensor  | 1   | 96-10 | MD610620    | 1021      |
| G57                                  | O'ring all case connector   | 1   | 96-09 | MD622022    | 1020      |
| n/i                                  | Seal F4A41/F4A42 (low sprag oil dam)                              | 1   | 96-09 | MD399570    | 13041     |
| n/i                                  | O'ring all temperature sensor                                     | 1   | 96-09 | MD611717    | 1022      |
| n/i                                  | Seal F4A51 (low sprag oil dam)                                    | 1   | 96-09 | MD76366     | 13042     |
| n/i                                  | Gasket, valve body F4A42  | 1   | 96-97 | MR486686    | 3904L     |
| <b>METAL CLAD SEALS</b>              |   |     |       |             |           |
| A65                                  | Seal, metal clad front  | 1   | 96-10 | MD707575    | 63200     |
| F66                                  | Cover, pinion nut all pinion shaft seal                           | 1   | 96-09 | MD758173    | 13043     |
| G67                                  | Seal, metal clad right axle                                       | 1   | 96-10 | MD755904    | 63208     |
| G68                                  | Seal, metal clad left axle  | 1   | 96-10 | MD755904    | 63208     |
| n/i                                  | Seal, metal clad AWD (left input in adapter housing)              | 1   | 01-10 | 47452-39000 | 63209     |
| <b>SEALING RINGS</b>                 |   |     |       |             |           |
| K10                                  | Kit, sealing ring F4A41•F4A42•F4A51•F4A4B                         | 1   | 96-09 | AE          | K63300H   |
| A75                                  | Ring, sealing 53.5mm underdrive clutch                            | 2   | 96-09 | MD760903    | 39302     |
| A77                                  | Ring, sealing (teflon) 26mm input shaft                           | 2   | 96-09 | MD722551    | 63313T    |
| D79                                  | Ring, sealing 53.5mm overdrive clutch                             | 2   | 96-09 | MD760903    | 39302     |
| D81                                  | Ring, sealing 64.5mm reverse clutch                               | 2   | 96-09 | MD760904    | 39301     |
| G85                                  | Ring, sealing accumulators  | 4   | 96-09 | MD711875    | 39305     |
| n/i                                  | Ring, sealing dampening valve (in valve body)                     | 1   | 96-09 | MD757761    | 39309     |
| <b>CLUTCH PLATES</b>                 |   |     |       |             |           |
| B95                                  | Steel .071" 4.655" id 20T F4A41/42 (underdrive clutch)            | 4   | 96-09 | 123701      | 63120     |
| B95                                  | Steel .071" 4.850" id 20T F4A51 (underdrive clutch)               | 4   | 96-09 | 124701      | 63122     |
| B96                                  | Friction .067" 5.352" od 30T (waved) F4A41/42 (underdrive clutch) | 3/4 | 96-09 | 45525-39000 | 63103     |
| B96                                  | Friction .067" 5.827" od 30T (waved) F4A51 (underdrive clutch)    | 4   | 96-09 | 45422-39501 | 63119     |
| B98                                  | Friction .067" 6.183" od 30T F4A41/42 (low/reverse clutch)        | 4/5 | 96-09 | 45632-39000 | 63109     |
| B99                                  | Steel .039" 5.541" id 17T F4A41/2 (low/reverse clutch)            | 3/5 | 96-09 | 123707      | 63130     |
| C102                                 | Steel .099" 5.127" id 17T F4A41/42 (2nd brake clutch)             | 2   | 96-09 | 123703      | 63129     |
| C102                                 | Steel .063" 5.127" id 17T F4A41/42 (2nd brake clutch)             | sel | 96-09 | 123703-160  | 63133     |
| C102                                 | Steel .079" 5.127" id 17T F4A41/42 (2nd brake clutch)             | sel | 96-09 | 123703-200  | 63134     |
| C102                                 | Steel .099" 6.031" id 16T F4A51 (2nd brake clutch)                | 2   | 96-09 | 124703      | 63135     |
| C102                                 | Steel .153" 6.031" id 16T F4A51 (2nd brake clutch)                | 3   | 96-09 | n/a         | 63137     |
| C103                                 | Friction .069" 6.183" od 30T F4A41/42 (2nd brake clutch)          | 2/3 | 96-09 | 45625-39000 | 63107     |
| C103                                 | Friction .067" 7.030" od 30T F4A51 (2nd brake clutch)             | 4   | 96-09 | 45625-39500 | 63113     |
| D105                                 | Friction .067" 5.869" od 30T F4A41/42 (reverse clutch)            | 2   | 96-09 | 45445-39000 | 63105     |
| D105                                 | Friction .067" 6.535" od 30T F4A51 (reverse clutch)               | 2   | 96-09 | 45445-39500 | 63111     |



# F4A41•F4A42•F4A51•F4A4B•W4A42•W4A51

F4A41•42•51•F4A4B•W4A42•W4A51

| ILL                                 | DESCRIPTION                          | QTY                                     | YEAR | REFERENCE # | PART #      |         |
|-------------------------------------|--------------------------------------|---|------|-------------|-------------|---------|
| <b>CLUTCH PLATES (CONTINUED)</b>    |                                      |   |      |             |             |         |
| D106                                | Steel .071" 5.250" id 20T            | F4A41/42 (reverse clutch)               | 2    | 96-09       | 123705      | 63123   |
| D106                                | Steel .078" 5.250" id 20T            | F4A41/42 (reverse clutch)               | sel  | 96-09       | 123705-200  | 63124   |
| D106                                | Steel .071" 6.031" id 20T            | F4A51 (reverse clutch)                  | 2    | 96-09       | 124705      | 63125   |
| D107                                | Friction .067" 5.352" od 30T (waved) | F4A41/42 (overdrive clutch)             | 3/4  | 96-09       | 45422-39000 | 63101   |
| D107                                | Friction .067" 5.810" od 30T (waved) | F4A51 (overdrive clutch)                | 4    | 96-09       | 45525-39501 | 63121   |
| D108                                | Steel .099" 4.655" od 20T            | F4A41/42 (overdrive clutch)             | 4    | 96-09       | 123709      | 63126   |
| D108                                | Steel .099" 4.850" id 20T            | F4A51 (overdrive clutch)                | 3    | 96-09       | 124709      | 63127   |
| <b>PRESSURE PLATES</b>              |                                      |   |      |             |             |         |
| B115                                | Pressure plate .161"                 | F4A41/42 (underdrive clutch)            | 1    | 96-09       | AE          | 63140-R |
| B115                                | Pressure plate .157"                 | F4A51 (underdrive clutch)               | 1    | 96-09       | AE          | 63141-R |
| B116                                | Pressure plate .079" (apply)         | F4A41/42 (low/reverse clutch)           | sel  | 96-09       | 45643-39160 | 63147-R |
| B116                                | Pressure plate .232" (apply)         | F4A51 (low/reverse clutch)              | sel  | 96-09       | 45643-39516 | 63148-R |
| C118                                | Pressure plate .237" (backing)       | F4A41/42 (2nd brake clutch)             | 1    | 96-09       | 45630-39000 | 63149-R |
| C118                                | Pressure plate (backing)             | F4A51 (2nd brake clutch)                | 1    | 96-09       | 45628-39500 | 63150-R |
| C119                                | Pressure plate .099" (apply)         | F4A41/42 (2nd brake clutch)             | sel  | 96-09       | 45643-39160 | 63151-R |
| C119                                | Pressure plate .099" (apply)         | F4A51 (2nd brake clutch)                | sel  | 96-09       | 45643-39516 | 63152-R |
| D120                                | Pressure plate .157"                 | F4A41/42 (reverse clutch)               | 1    | 96-09       | AE          | 63142-R |
| D120                                | Pressure plate .151"                 | F4A51 (reverse clutch)                  | 1    | 96-09       | AE          | 63143-R |
| D121                                | Pressure plate                       | F4A41/42 (overdrive clutch)             | 1    | 96-09       | AE          | 63144-R |
| D121                                | Pressure plate .236"                 | F4A51 (overdrive clutch)                | 1    | 96-09       | AE          | 63145-R |
| D122                                | Pressure plate .157" (apply)         | F4A51 (overdrive clutch)                | 1    | 96-09       | AE          | 63146-R |
| <b>FILTERS</b>                      |                                      |   |      |             |             |         |
| G127                                | Filter (plastic)                     | F4A41/42                                | 1    | 96-09       | 46322-39000 | 63800H  |
| G127                                | Filter (metal and plastic)           | F4A51                                   | 1    | 96-05       | MD758684    | 63800J  |
| G127                                | Filter (metal and plastic)           | Hyundai (F4A41/F4A42)                   | 1    | 99-09       | 46321-39010 | 63800K  |
| G127                                | Filter (plastic)                     | F4A41/F4A42                             | 1    | 99-09       | MR350441    | 63800L  |
| G126                                | Filter                               | spin on                                 | 1    | 96-09       | 46322-39000 | 63710   |
| <b>BUSHINGS</b>                     |                                      |   |      |             |             |         |
| K13                                 | Kit, bushing 4 piece                 | F4A41/42                                | 1    | 96-09       | AE          | K63901H |
| K13                                 | Kit, bushing 7 piece                 | F4A51                                   | 1    | 96-09       | AE          | K63901J |
| A135                                | Bushing                              | pump body                               | 1    | 96-09       | 28330       | 63001   |
| A136                                | Bushing                              | pump support (front)                    | 1    | 96-09       | n/a         | 63000   |
| C138                                | Bushing                              | output planetary (front)                | 1    | 96-09       | n/a         | 63003   |
| C139                                | Bushing                              | sun gear (front)                        | 1    | 96-09       | n/a         | 63006   |
| C140                                | Bushing                              | sun gear (rear)                         | 1    | 96-09       | n/a         | 63006   |
| C142                                | Bushing                              | 2nd brake hub (front)                   | 1    | 96-09       | n/a         | 63008   |
| C143                                | Bushing                              | 2nd brake hub (rear)                    | 1    | 96-09       | n/a         | 63008   |
| D144                                | Bushing                              | overdrive hub (front)                   | 1    | 96-09       | n/a         | 63010   |
| D145                                | Bushing                              | overdrive hub (rear)                    | 1    | 96-09       | n/a         | 63010   |
| D146                                | Bushing                              | end housing                             | 1    | 96-09       | n/a         | 63012   |
| <b>WASHERS/BEARINGS/RACES/SHIMS</b> |                                      |   |      |             |             |         |
| A160                                | Washer, thrust .072" (fiber)         | underdrive housing to support           | sel  | 01-10       | n/a         | 63400   |
| A160                                | Washer, thrust .084" (fiber)         | underdrive housing to support           | sel  | 01-10       | n/a         | 63400A  |
| A160                                | Washer, thrust .101" (fiber)         | underdrive housing to support           | sel  | 01-10       | n/a         | 63400B  |
| B163                                | Bearing, thrust                      | underdrive hub to ud housing            | 1    | 01-10       | AE          | 63401-R |
| B165                                | Bearing, cup/cone                    | transfer gear support (front)           | 1    | 01-10       | n/a         | 63402   |
| B166                                | Bearing, cup/cone                    | transfer gear support (rear)            | 1    | 01-10       | n/a         | 63403   |
| C169                                | Bearing, thrust                      | F4A51 (overdrive planetary to sun gear) | 1    | 01-10       | 45743-39560 | 63431   |
| C171                                | Bearing, thrust                      | 2nd brake hub to overdrive hub          | 1    | 01-10       | AE          | 63405-R |
| D172                                | Bearing, thrust                      | overdrive hub to reverse housing        | 1    | 01-10       | AE          | 63406-R |
| D175                                | Race, bearing                        | reverse housing to end housing          | 1    | 01-10       | AE          | 63419   |
| E178                                | Bearing, cup/cone                    | differential housing (front)            | 1    | 01-10       | n/a         | 63408   |
| E180                                | Bearing, cup/cone                    | differential housing (rear)             | 1    | 01-10       | n/a         | 63409   |

F4A41•F4A42•F4A51•F4A4B•W4A42•W4A51

F4A41•42•51•F4A4B•W4A42•W4A51

| ILL   | DESCRIPTION  | QTY | YEAR  | REFERENCE # | PART #   |
|---|--|-----|-------|-------------|----------|
| <b>WASHERS/BEARINGS/RACES/SHIMS (CONTINUED)</b> |  |     |       |             |          |
| F183  | Bearing, cup/cone<br>pinion shaft  | 1   | 01-10 | n/a         | 63410    |
| F185  | Bearing, cup/cone<br>transfer driven gear                                | 1   | 01-10 | n/a         | 63411    |
| <b>SNAP RINGS</b>                               |  |     |       |             |          |
| A195  | Snap ring<br>input shaft in ud housing                                   | 1   | 01-10 | AE          | 63621-R  |
| A197  | Snap ring<br>underdrive retainer   | 1   | 01-10 | AE          | 63622-R  |
| B198  | Snap ring<br>underdrive clutch   | 1   | 01-10 | AE          | 63623-R  |
| B200  | Snap ring<br>low/reverse retainer  | 1   | 01-10 | AE          | 63624-R  |
| B201  | Snap ring<br>seat for low/rev pressure plate                             | 1   | 01-10 | AE          | 63625-R  |
| B202  | Snap ring<br>low/reverse pressure plate                                  | 1   | 01-10 | AE          | 63626-R  |
| C204  | Snap ring<br>output planetary in ring gear                               | 1   | 01-10 | AE          | 63627-R  |
| C205  | Snap ring<br>overdrive planetary in ring gear                            | 1   | 01-10 | AE          | 63628-R  |
| C206  | Snap ring<br>2nd brake housing   | 1   | 01-10 | AE          | 63629-R  |
| D208  | Snap ring<br>reverse clutch pressure plate                               | 1   | 01-10 | AE          | 63630-R  |
| D209  | Snap ring<br>overdrive clutch pressure plate                             | 1   | 01-10 | AE          | 63631-R  |
| D210  | Snap ring<br>overdrive clutch retainer                                   | 1   | 01-10 | AE          | 63632-R  |
| F213  | Snap ring<br>transfer driven gear  | 1   | 01-10 | AE          | 63636-R  |
| <b>PUMP PARTS AND PUMPS</b>                     |  |     |       |             |          |
| A230  | Pump, assembly<br>F4A41/42 (casting #F4A)                                | 1   | 96-09 | MD763201    | 63200H-R |
| A230  | Pump, assembly<br>F4A51/F5A51 (casting #299)                             | 1   | 96-09 | MD763202    | 63200J-R |
| A231  | Body, pump w/gears (aluminum)<br>F4A41/F4A51                             | 1   | 96-09 | 46120-3A000 | 63300J   |
| A231  | Body, pump w/gears (cast iron)<br>F4A41/F4A51                            | 1   | 96-10 | AE          | 63300J-R |
| A233  | Stator, pump (7.875" od)<br>F4A41/42 (casting #F4A)                      | 1   | 66-10 | AE          | 63400H-R |
| A233  | Stator, pump 8.375" od<br>F4A51  | 1   | 96-09 | 46130-3A500 | 63400J   |
| A233  | Stator, pump 8.375" od<br>F4A51 (casting #FA5 or 299)                    | 1   | 96-10 | AE          | 63400J-R |
| <b>HARD PARTS</b>                               |  |     |       |             |          |
| A240  | Shaft, input (13.937" oh)<br>F4A41/F4A42                                 | 1   | 96-09 | AE          | 63720-R  |
| A240  | Shaft, input (15.125" oh)<br>F4A51-2 (3-holes)                           | 1   | 97-10 | AE          | 63720A-R |
| A241  | Housing, underdrive (3-clutch)<br>F4A41/F4A42 (60T reluctor 6.062" od)   | 1   | 96-09 | AE          | 63721-R  |
| A241  | Housing, underdrive (4-clutch)<br>F4A41/F4A42 (60T reluctor 6.062" od)   | 1   | 96-09 | AE          | 63721A-R |
| A241  | Housing, underdrive (4-clutch)<br>F4A51-2 (60T reluctor 6.375" od)       | 1   | 97-10 | AE          | 63721B-R |
| A242  | Piston, underdrive clutch (aluminum)<br>F4A41/F4A42 (5.337" od)          | 1   | 96-09 | AE          | 63722-R  |
| A242  | Piston, underdrive clutch (aluminum)<br>F4A51-2 (5.672" od)              | 1   | 97-10 | AE          | 63722A-R |
| A243  | Retainer, w/18 springs (1.020" oh)<br>F4A41/F4A42 (underdrive clutch)    | 1   | 96-09 | AE          | 63723-R  |
| A243  | Retainer, w/20 springs 1.150" oh<br>F4A51-2 (underdrive clutch)          | 1   | 97-10 | AE          | 63723A-R |
| A245  | Retainer, underdrive clutch springs<br>F4A41/F4A42 (4.752" od)(aluminum) | 1   | 96-09 | AE          | 63724-R  |
| C245  | Retainer, underdrive clutch springs<br>F4A51-2 (5.305" od) (aluminum)    | 1   | 97-10 | AE          | 63724A-R |
| B246  | Hub, underdrive clutch (4.515" od)<br>F4A41/F4A42                        | 1   | 96-09 | AE          | 63725-R  |
| B246  | Hub, underdrive clutch 4.715" od<br>F4A51-2                              | 1   | 97-10 | AE          | 63725A-R |
| B248  | Gear, transfer drive (5.055" od 42T)<br>F4A41/F4A42                      | 1   | 96-09 | AE          | 63726-R  |
| B248  | Gear, transfer drive (5.713" od 49T)<br>F4A41/F4A42                      | 1   | 96-09 | AE          | 63726A-R |
| B248  | Gear, transfer drive (4.920" od 67T)<br>F4A41/F4A42                      | 1   | 96-09 | AE          | 63726B-R |
| B248  | Gear, transfer drive (5.595" od 70T)<br>F4A51-2                          | 1   | 97-10 | AE          | 63726C-R |
| B249  | Housing, transfer drive gear (7-bolts)<br>F4A41/F4A42 (retainer)         | 1   | 96-09 | AE          | 63727-R  |
| B249  | Housing, transfer drive gear (4-bolts)<br>F4A51-2 (retainer)             | 1   | 97-10 | AE          | 63727A-R |
| B249  | Housing, transfer drive gear (8-bolts)<br>F4A51-2 (retainer)             | 1   | 97-10 | AE          | 63727B-R |
| B250  | Nut, transfer drive gear (2.640" od)<br>F4A41/F4A42 (4-notches)          | 1   | 96-09 | AE          | 63731-R  |
| B250  | Nut, transfer drive gear (2.755" od)<br>F4A51-2 (6-point hex head)       | 1   | 97-10 | AE          | 63731A-R |
| B250  | Nut, transfer drive gear 2.755" od<br>F4A51-2 (4-notches)                | 1   | 97-10 | AE          | 63731B-R |
| B252  | Piston, low/reverse clutch<br>F4A41/F4A42 (.925" oh 6.187" od)           | 1   | 96-09 | AE          | 63732-R  |
| B252  | Piston, low/reverse clutch<br>F4A41/F4A42/F4A51 (1.015" oh 6.187" od)    | 1   | 96-09 | AE          | 63732A-R |
| C252  | Piston, low/reverse clutch<br>F4A51-2 (.970" oh 7" od)                   | 1   | 97-10 | AE          | 63732B-R |
| B252  | Piston, low/reverse clutch<br>F4A51-2 (.850" oh 7" od)                   | 1   | 97-10 | AE          | 63732C-R |
| B253  | Spring, spiral (5.500" od)<br>F4A41/F4A42/F4A51 (low/reverse)            | 1   | 96-09 | AE          | 63638H-R |

# F4A41•F4A42•F4A51•F4A4B•W4A42•W4A51

F4A41•42•51•F4A4B•W4A42•W4A51

| ILL                           | DESCRIPTION                              | QTY  | YEAR | REFERENCE # | PART #   |          |
|-------------------------------|--|--|------|-------------|----------|----------|
| <b>HARD PARTS (CONTINUED)</b> |  |  |      |             |          |          |
| B253                          | Spring, spiral 6.937" od                 | F4A51-2 (low/reverse)                      | 1    | 96-09       | MR534166 | 63638J   |
| B254                          | Retainer, low/reverse clutch (5.500" od) | F4A41/F4A42/F4A51                          | 1    | 96-10       | AE       | 63733-R  |
| B254                          | Retainer, low/reverse clutch 6.937" od   | F4A51-2                                    | 1    | 97-10       | AE       | 63733A-R |
| B255                          | Race, inner sprag (.770" 3.630" od)      | F4A41/F4A42 (w/o O'ring groove)            | 1    | 96-98       | AE       | 63734-R  |
| B255                          | Race, inner sprag (.770" 3.630" od)      | F4A41/F4A42 (w/O'ring groove)              | 1    | 99-09       | AE       | 63734A-R |
| B255                          | Race, inner sprag .625" 4.375" od        | F4A51-2 (w/o O'ring groove)                | 1    | 97-98       | AE       | 63734B-R |
| B255                          | Race, inner sprag .625" 4.375" od        | F4A51-2 (w/O'ring groove)                  | 1    | 99-10       | AE       | 63734C-R |
| C261                          | Planetary, rear (38 splines w/o bushing) | F4A41/F4A42 (4-gears w/62T ring gear)      | 1    | 01-09       | AE       | 63730H-R |
| C261                          | Planetary, rear (34 splines w/o bushing) | F4A51-2 (4-gears w/68T ring gear 5" oh)    | 1    | 01-09       | AE       | 63730J-R |
| C261                          | Planetary, rear (34 splines w/bushing)   | F4A51-2 (4-gears w/68T rg 4.625" oh)       | 1    | 97-10       | AE       | 63730K-R |
| C262                          | Gear, rear sun 2.190" od 38T             | F4A41/F4A42 (3.550" length)                | 1    | 01-09       | AE       | 63738H-R |
| C262                          | Gear, rear sun 2.695" od 38T             | F4A51 (3.840" length)                      | 1    | 01-09       | AE       | 63738J-R |
| C263                          | Gear, rear ring (non sprag type)         | F4A41 (70T teeth length 2.980")            | 1    | 96-09       | AE       | 63737-R  |
| C263                          | Gear, rear ring (sprag type)             | F4A41/F4A42 (70T 3.395" length)            | 1    | 96-10       | AE       | 63737A-R |
| C263                          | Gear, rear ring (non sprag type)         | F4A51 (70T 3.215" length)                  | 1    | 97-10       | AE       | 63737B-R |
| C263                          | Gear, rear ring (sprag type)             | F4A51 (70T 3.660" length)                  | 1    | 97-93       | AE       | 63737C-R |
| C264                          | Planetary, overdrive                     | F4A41/F4A42 (3-pinion gears 18T)           | 1    | 96-09       | AE       | 63739-R  |
| C264                          | Planetary, overdrive                     | F4A51 (3-pinion gears 21T)                 | 1    | 97-10       | AE       | 63739A-R |
| C265                          | Hub, 2nd brake w/sun gear 25T            | F4A41/F4A42 (4.995" od)                    | 1    | 96-09       | AE       | 63741-R  |
| C265                          | Hub, 2nd brake w/sun gear 25T            | F4A51 (5.900" od)                          | 1    | 97-10       | AE       | 63741A-R |
| C267                          | Spring, spiral 6.812" od                 | F4A41/F4A42 (2nd brake clutch return)      | 1    | 96-09       | AE       | 63742-R  |
| C267                          | Spring, spiral 7.625" od                 | F4A51 (2nd brake clutch return)            | 1    | 97-10       | AE       | 63742A-R |
| C268                          | Piston .690" oh 6.625" od                | F4A41/F4A42 (2nd brake clutch)             | 1    | 96-09       | AE       | 63743-R  |
| C268                          | Piston .655" oh 7.500" od                | F4A51 (2nd brake clutch)                   | 1    | 97-10       | AE       | 63743A-R |
| C268                          | Piston .735" oh 7.500" od                | F4A51 (2nd brake clutch)                   | 1    | 97-10       | AE       | 63743B-R |
| C269                          | Housing, 6.812" od                       | F4A41/F4A42 (2nd brake clutch piston)      | 1    | 96-09       | AE       | 63744-R  |
| C269                          | Housing 7.625" od                        | F4A51 (2nd brake clutch piston)            | 1    | 97-10       | AE       | 63744A-R |
| D270                          | Hub, overdrive clutch 4.560" od at hub   | F4A41/F4A42 (.990" od at splines)          | 1    | 96-09       | AE       | 63746-R  |
| D270                          | Hub, overdrive clutch 4.760" od at hub   | F4A51 (1.080" od at splines)               | 1    | 97-10       | AE       | 63746A-R |
| D272                          | Retainer, overdrive clutch               | F4A41/F4A42 (4.950" od)                    | 1    | 96-09       | AE       | 63747-R  |
| D272                          | Retainer, overdrive clutch               | F4A51 (5.500" od)                          | 1    | 96-09       | AE       | 63747A-R |
| D273                          | Retainer, w/springs (18-springs)         | F4A41/F4A42 (overdrive clutch)             | 1    | 96-09       | AE       | 63748-R  |
| D273                          | Retainer, w/springs (20-springs)         | F4A51 (overdrive clutch)                   | 1    | 97-10       | AE       | 63748A-R |
| D274                          | Piston, overdrive clutch                 | F4A41/F4A42 (casting #500754)              | 1    | 96-09       | AE       | 63749-R  |
| D274                          | Piston, overdrive clutch                 | F4A51 (casting #500747)                    | 1    | 97-10       | AE       | 63749A-R |
| D276                          | Housing, overdrive (3-clutch)            | F4A41/F4A42 (alum casting #500738)         | 1    | 96-09       | AE       | 63770-R  |
| D276                          | Housing, overdrive (4-clutch)            | F4A41/F4A42 (alum casting #500738)         | 1    | 96-09       | AE       | 63770A-R |
| D276                          | Housing, overdrive (4-clutch)            | F4A51 (alum casting #500744)               | 1    | 97-10       | AE       | 63770B-R |
| D278                          | Housing, end (12-bolts)                  | F4A41/F4A42 (casting #F4A42 or 39001)      | 1    | 96-09       | AE       | 63771-R  |
| D278                          | Housing, end (10-bolts)                  | F4A41/F4A42 (casting #F4A42 or 500737)     | 1    | 96-09       | AE       | 63771A-R |
| D278                          | Housing, end (10-bolts)                  | F4A51 (casting #F4A41 or 500766)           | 1    | 97-10       | AE       | 63771B-R |
| D278                          | Housing, end (12-bolts)                  | F4A51 (casting #39303)                     | 1    | 97-10       | AE       | 63771C-R |
| E280                          | Differential, w/spider gears (8-bolts)   | F4A41/F4A42 (36T speedo/ball bearings)     | 1    | 96-09       | AE       | 63772-R  |
| E280                          | Differential, w/spider gears (8-bolts)   | 36T speedo/tapered bearings 1.125" id axle | 1    | 96-09       | AE       | 63772A-R |
| E280                          | Differential, w/spider gears (8-bolts)   | 36T speedo/tapered bearings 1.043" id axle | 1    | 96-09       | AE       | 63772B-R |
| E280                          | Differential, w/spider gears (10-bolts)  | 36T w/plastic speedo/tapered bearings      | 1    | 01-10       | AE       | 63772C-R |
| E280                          | Differential, w/spider gears (16-bolts)  | AWD (36T speedo/tapered bearings)          | 1    | 96-10       | AE       | 63773N-R |
| E281                          | Gear, final drive ring (8-bolts 65T)     | F4A41/F4A42                                | 1    | 96-09       | AE       | 63773-R  |
| E281                          | Gear, final drive ring (8-bolts 65T)     | F4A41/F4A42 (1-groove)                     | 1    | 96-09       | AE       | 63773A-R |
| E281                          | Gear, final drive ring (8-bolts 65T)     | F4A41/F4A42 (no-groove)                    | 1    | 96-09       | AE       | 63773B-R |
| E281                          | Gear, final drive ring (8-bolts 63T)     | F4A41/F4A42 (3-grooves)                    | 1    | 96-09       | AE       | 63773C-R |
| E281                          | Gear, final drive ring (8-bolts 64T)     | F4A41/F4A42 (3-grooves)                    | 1    | 96-09       | AE       | 63773D-R |
| E281                          | Gear, final drive ring (8-bolts 64T)     | F4A41/F4A42 (1-groove)                     | 1    | 96-09       | AE       | 63773E-R |

F4A41•F4A42•F4A51•F4A4B•W4A42•W4A51

| ILL                           | DESCRIPTION   | QTY | YEAR  | REFERENCE # | PART #   |
|-------------------------------|---|-----|-------|-------------|----------|
| <b>HARD PARTS (CONTINUED)</b> |   |     |       |             |          |
| E281                          | Gear, final drive ring (10-bolts 62T) F4A41/F4A42 (2-grooves)                     | 1   | 96-09 | AE          | 63773F-R |
| E281                          | Gear, final drive ring (8-bolts 59T) F4A51 (no-groove)                            | 1   | 97-10 | AE          | 63773G-R |
| E281                          | Gear, final drive ring (8-bolts 63T) F4A51 (1-groove)                             | 1   | 97-10 | AE          | 63773H-R |
| E281                          | Gear, final drive ring (8-bolts 63T) F4A41/F4A42 (2-grooves)                      | 1   | 96-09 | AE          | 63773J-R |
| E281                          | Gear, final drive ring (10-bolts 63T) F4A51 (2-grooves)                           | 1   | 97-10 | AE          | 63773K-R |
| E281                          | Gear, final drive ring (16-bolts 61T) W4A51 AWD (2-grooves)                       | 1   | 96-09 | AE          | 63773L-R |
| E281                          | Gear, final drive ring (8-bolts 56T) F4A41/F4A42 (no-groove)                      | 1   | 96-09 | AE          | 63773M-R |
| F283                          | Shaft, pinion (18T 8.125" length) F4A41/F4A42 (1-groove)                          | 1   | 96-02 | AE          | 63774-R  |
| F283                          | Shaft, pinion (19T 8.125" length) F4A41/F4A42 (1-groove)                          | 1   | 96-02 | AE          | 63774A-R |
| F283                          | Shaft, pinion (15T 8.125" length) W4A42 (2-grooves)                               | 1   | 96-09 | AE          | 63774B-R |
| F283                          | Shaft, pinion (21T 8.500" length) F4A51 (1-groove)                                | 1   | 97-10 | AE          | 63774C-R |
| F283                          | Shaft, pinion (20T 8.500" length) F4A51 (2-grooves)                               | 1   | 97-10 | AE          | 63774D-R |
| E283                          | Shaft, pinion (21T 8.500" length) W4A51 (AWD) (2-grooves)                         | 1   | 01-10 | AE          | 63774E-R |
| F284                          | Housing, transfer driven gear (4-bolts) F4A41/F4A42 (aluminum 9-spokes)           | 1   | 96-09 | AE          | 63775-R  |
| F284                          | Housing, transfer driven gear (4-bolts) F4A41/F4A42 (aluminum 15-spokes)          | 1   | 01-10 | AE          | 63775A-R |
| F284                          | Housing, transfer driven gear (4-bolts) F4A51 (aluminum 10-spokes)                | 1   | 97-10 | AE          | 63775B-R |
| F285                          | Gear, transfer driven (47T) F4A41/F4A42 (no-groove)                               | 1   | 96-09 | AE          | 63776-R  |
| F285                          | Gear, transfer driven (75T) F4A41/F4A42 (no-groove)                               | 1   | 96-09 | AE          | 63776A-R |
| F285                          | Gear, transfer driven (75T) F4A41/F4A42 (1-groove)                                | 1   | 96-09 | AE          | 63776B-R |
| F285                          | Gear, transfer driven (83T) F4A51 (no-groove)                                     | 1   | 97-10 | AE          | 63776C-R |
| F286                          | Sleeve, crush (2.625" length) F4A41/F4A42   | 1   | 96-09 | n/a         | 63777    |
| F286                          | Sleeve, crush (2.425" length) F4A51   | 1   | 97-10 | n/a         | 63777A   |
| G297                          | Case, front half (starter at 4:00) F4A41 (2-top bolt holes 3.500" apart)          | 1   | 96-09 | F4A42       | 63778-R  |
| G297                          | Case, front half (starter at 5:00/11:00) F4A41/42 (2-top bolt holes 4.250" apart) | 1   | 96-09 | MD756902    | 63778A-R |
| G297                          | Case, front half (starter at 1:00) F4A42 (2-top bolt holes 4.250" apart)          | 1   | 96-09 | MD760815    | 63778B-R |
| G297                          | Case, front half (starter at 1:00) (AWD) W4A42 (2-top bolt holes 4.250" apart)    | 1   | 97-10 | MD762647    | 63778C-R |
| G297                          | Case, front half (starter at 11:00) F4A41/42 (2-top bolt holes 5.125" apart)      | 1   | 96-10 | F4A42/39600 | 63778D-R |
| G297                          | Case, front half (starter at 4:00) F4A41/42 (2-top bolt holes 3.500" apart)       | 1   | 96-10 | MD759244    | 63778E-R |
| G297                          | Case, front half (starter at 4:00) (AWD) W4A51 (2-top bolt holes 3.500" apart)    | 1   | 97-10 | F5A5        | 63778F-R |
| G297                          | Case, front half (starter at 4:00) F4A51 (2-top bolt holes 3.500" apart)          | 1   | 97-10 | 500278      | 63778G-R |
| G310                          | Case, main half (end housing 10-bolts) F4A41/42 (w/spin-on filter)                | 1   | 96-09 | AE          | 63790-R  |
| G310                          | Case, main half (end housing 10-bolts) F4A41/42 (w/o spin-on filter)              | 1   | 96-09 | AE          | 63790A-R |
| G310                          | Case, main half (end housing 12-bolts) F4A41/42 (w/o spin-on filter)              | 1   | 96-09 | AE          | 63790B-R |
| G310                          | Case, main half (end housing 12-bolts) F4A41/42 (w/spin-on filter)                | 1   | 96-09 | AE          | 63790C-R |
| G310                          | Case, main half (end housing 10-bolts) W4A51 (w/o spin-on filter/vent on top)     | 1   | 01-10 | AE          | 63790D-R |
| G310                          | Case, main half (end housing 10-bolts) F4A51 (w/spin-on filter/4-bolt retainer)   | 1   | 96-10 | AE          | 63790E-R |
| G310                          | Case, main half (end housing 10-bolts) F4A51 (w/o spin-on filter/8-bolt retainer) | 1   | 97-10 | AE          | 63790F-R |
| G316                          | Pan, side cover (1.875" oh dipstick tube) F4A41/42                                | 1   | 96-09 | AE          | 63794-R  |
| G316                          | Pan, side cover (3.500" oh dipstick tube) W4A42                                   | 1   | 01-10 | AE          | 63794A-R |
| G316                          | Pan, side cover (1" oh dipstick tube) F4A51                                       | 1   | 97-10 | AE          | 63794B-R |
| G316                          | Pan, side cover (3.500" oh dipstick tube) F4A51                                   | 1   | 97-10 | AE          | 63794C-R |
| G355                          | Valve body w/5 solenoids F4A41/42   | 1   | 96-04 | AE          | 63798-R  |
| G355                          | Valve body w/6 solenoids F4A41/42/F4A51   | 1   | 01-10 | AE          | 63798A-R |
|                               |   |     |       |             |          |
|                               |   |     |       |             |          |
|                               |   |     |       |             |          |
|                               |   |     |       |             |          |
|                               |   |     |       |             |          |
|                               |   |     |       |             |          |
|                               |   |     |       |             |          |
|                               |   |     |       |             |          |
|                               |   |     |       |             |          |
|                               |   |     |       |             |          |
|                               |   |     |       |             |          |
|                               |   |     |       |             |          |

F4A41•42•51•F4A4B•W4A42•W4A51





# What do Leonardo da Vinci and LUBEGARD have in common?

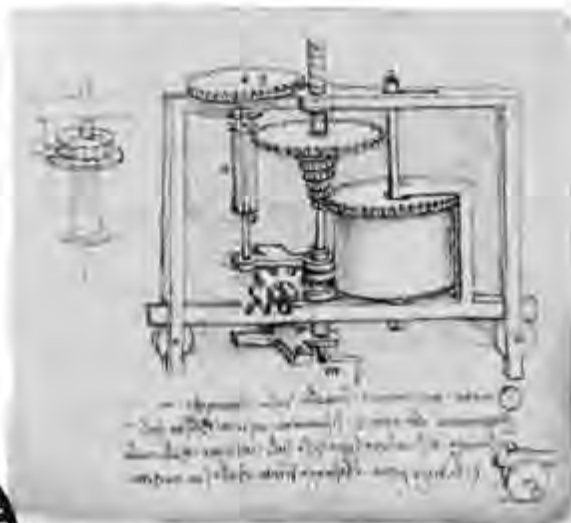
## CVT INNOVATION

Most people are unaware that it was Leonardo Da Vinci, in 1490, who conceptualized and engineered the first continuously variable transmission (CVT). Seen on his hand-drawn sketch, it only took a modest 450 years for the CVT to be put into production for modern day vehicles.

One thing that da Vinci certainly could not know, is the overwhelming amount of different boutique and OEM CVT fluids that came with the invention.

**That's where LUBEGARD comes in.**

LUBEGARD formulated a universal fluid for ALL belt type CVT's (over 80% of CVT's are belt type). Let it be known, that to date, there is **no formula** available by anyone that also properly services the other type of CVT, (often referred to as the chain type CVT), found in many export and foreign autos, regardless of their claims.



Leonardo da Vinci's Variable Transmission System Sketch c. 1490



### LUBEGARD® UNIVERSAL CVT FLUID

- Provides longer anti-shudder performance
- Minimizes friction between belts and pulleys which protects against fatigue damage
- Maintains the performance of a continuously variable transmission by providing excellent wear protection
- Imparts both shear and oxidation stability to the fluid
- Remains fluid at low temperatures for excellent operation in cold weather
- Prevents sludge and varnish build up

### Mirror Mirror...

For centuries, Leonardo da Vinci was accused of deliberately obscuring his writings and sketches (as seen above) by writing mirror-style. (Reversed writing that can more easily be read using a mirror).

Researchers now believe da Vinci's reasons for doing so were more practical and less mysterious da Vinci was left-handed, and by writing in a usual manner, he risked smudging and smearing the wet ink with the palm of his hand.

Ask us for a **FREE** copy of our CVT Application Chart. Now with Fill Rates! It is the most comprehensive in the industry.

PN 67032

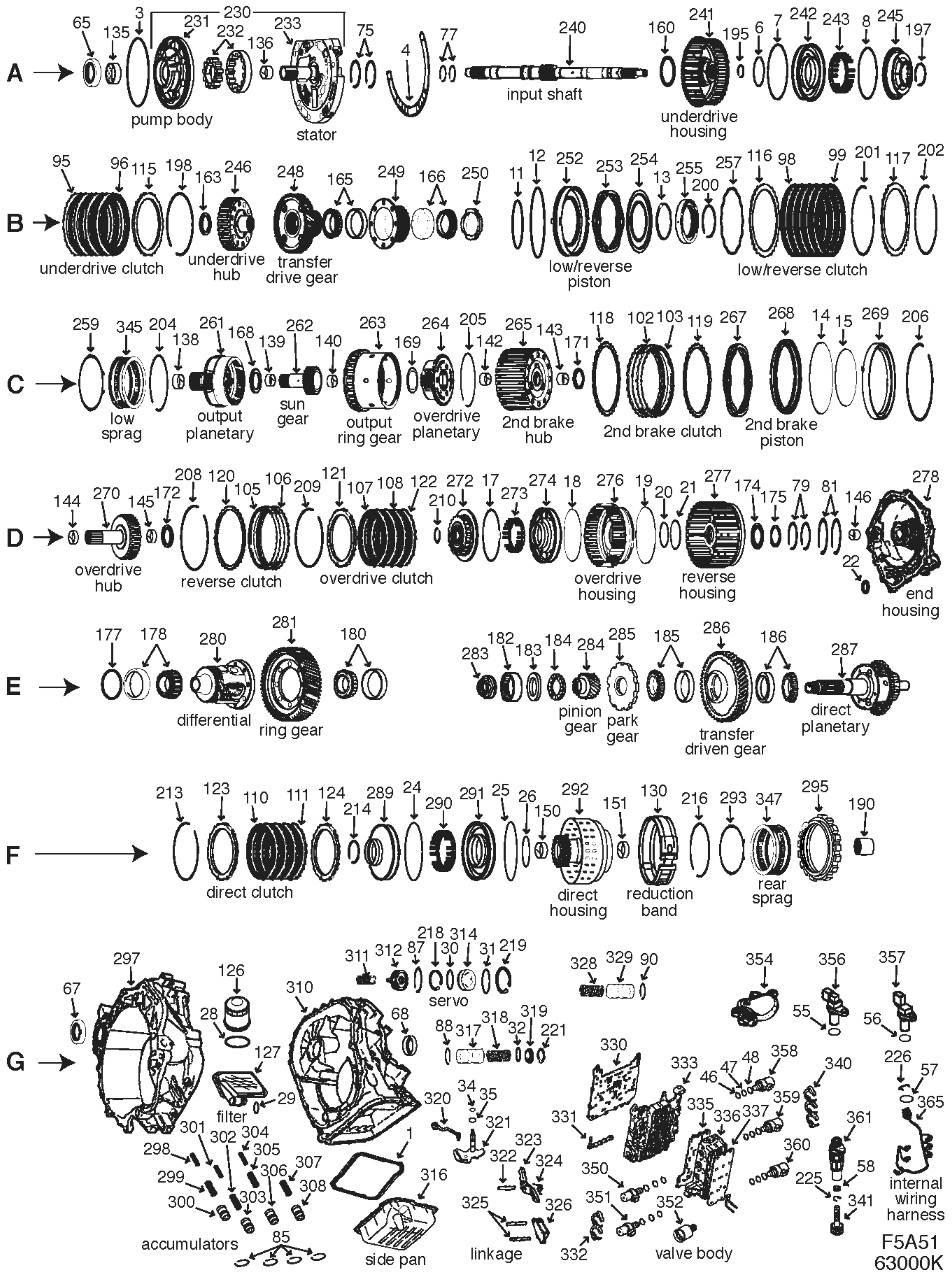
Also available in five and 55 gallon sizes

CALL US FOR YOUR FREE  
CVT APPLICATION CHART



**INTERNATIONAL LUBRICANTS, INC.**

7930 Occidental South • Seattle, WA 98108 • PO Box 24743 • Seattle, WA 98124  
206-762-5343 • 800-333-LUBE (5823) • Fax: 206-762-7989 • www.Lubegard.com



F5A51  
63000K



| ILL                                  | DESCRIPTION                          |                                  | QTY | YEAR  | REFERENCE # | PART #    |
|--------------------------------------|--------------------------------------|----------------------------------|-----|-------|-------------|-----------|
| <b>TECHNICAL MANUALS</b>             |                                      |                                  |     |       |             |           |
| K53                                  | Tech manual F4A41/42/51 dis/assembly | Diagnosis/troubleshooting        | 1   | 04-06 | F4A51       | 010-110   |
| <b>REBUILDER KITS</b>                |                                      |                                  |     |       |             |           |
| K5                                   | Master kit w/steels                  | F5A51/W5A51                      | 1   | 01-06 | AE          | K6300K    |
| K6                                   | Master kit w/o steels                | F5A51/W5A51                      | 1   | 01-06 | AE          | K6300K-LS |
| K7                                   | O/H gasket set w/seals-rings         | F5A51/W5A51                      | 1   | 01-06 | AE          | K63900K   |
| <b>GASKETS AND RUBBER COMPONENTS</b> |                                      |                                  |     |       |             |           |
| G1                                   | Gasket, side pan                     | F5A51/W5A51                      | 1   | 01-06 | B11346      | 13012D    |
| G3                                   | O'ring                               | pump to case                     | 1   | 01-06 | MD755373    | 1017      |
| A4                                   | Gasket                               | pump to case                     | 1   | 01-06 | MD752800    | 3903L     |
| G55                                  | O'ring                               | input speed sensor               | 1   | 01-06 | MD610620    | 1021      |
| G56                                  | O'ring                               | output speed sensor              | 1   | 01-06 | MD610620    | 1021      |
| G57                                  | O'ring                               | case connector                   | 1   | 01-06 | MD622022    | 1020      |
| n/i                                  | O'ring                               | temperature sensor               | 1   | 01-06 | MD611717    | 1022      |
| <b>METAL CLAD SEALS</b>              |                                      |                                  |     |       |             |           |
| F66                                  | Cover, pinion nut                    | pinion shaft seal                | 1   | 01-06 | MD758173    | 13043     |
| A65                                  | Seal, metal clad                     | front                            | 1   | 01-06 | MD707575    | 63200     |
| G67                                  | Seal, metal clad                     | right axle                       | 2   | 01-06 | MD755904    | 63208     |
| A68                                  | Seal, metal clad                     | left axle                        | 1   | 01-06 | MD755904    | 63208     |
| G68                                  | Seal, metal clad                     | AWD (left input adapter housing) | 1   | 01-06 | 47452-39000 | 63209     |
| <b>SEALING RINGS</b>                 |                                      |                                  |     |       |             |           |
| K10                                  | Kit, sealing ring                    | F5A51/W5A51                      | 1   | 01-06 | AE          | K63300K   |
| A75                                  | Ring, sealing 53.5mm                 | underdrive clutch                | 2   | 01-06 | MD760903    | 39302     |
| A77                                  | Ring, sealing (teflon) 26mm          | input shaft                      | 2   | 01-06 | MD722551    | 63313T    |
| D79                                  | Ring, sealing 53.5mm                 | overdrive clutch                 | 2   | 01-06 | MD760903    | 39302     |
| D81                                  | Ring, sealing 64.5mm                 | reverse clutch                   | 2   | 01-06 | MD760904    | 39301     |
| G85                                  | Ring, sealing                        | accumulators                     | 4   | 01-06 | MD711875    | 39305     |
| G87                                  | Ring, sealing                        | reduction servo                  | 1   | 01-06 | MD758998    | 39304     |
| n/i                                  | Ring, sealing                        | dampening valve (in valve body)  | 1   | 01-06 | MD757761    | 39309     |
| n/i                                  | Ring, sealing                        | direct clutch                    | 2   | 01-06 | MR232183    | 39303     |
| <b>CLUTCH PLATES</b>                 |                                      |                                  |     |       |             |           |
| B95                                  | Steel .071" 4.850" id 20T            | underdrive clutch                | 4   | 01-06 | 124701      | 63122     |
| B96                                  | Friction .067" 5.827" od 30T (waved) | underdrive clutch                | 4   | 01-06 | 45422-39501 | 63119     |
| B98                                  | Friction .067" 7.030" od 30T         | low/reverse clutch               | 6   | 01-06 | 45632-39500 | 63115     |
| B99                                  | Steel .039" 6.294" id 16T            | low/reverse clutch               | 5   | 01-06 | 124707      | 63132     |
| C102                                 | Steel .099" 6.031" id 16T            | 2nd brake clutch                 | 2   | 01-06 | 124703      | 63135     |
| C102                                 | Steel .153" 6.031" id 16T            | 2nd brake clutch                 | 3   | 01-06 | n/a         | 63137     |
| C103                                 | Friction .067" 7.030" od 30T         | 2nd brake clutch                 | 4   | 01-06 | 45625-39500 | 63113     |
| D105                                 | Friction .067" 6.535" od 30T         | reverse clutch                   | 2   | 01-06 | 45445-39500 | 63111     |
| D106                                 | Steel .071" 6.031" id 20T            | reverse clutch                   | 2   | 01-06 | 124705      | 63125     |
| D107                                 | Friction .067" 5.810" od 30T (waved) | overdrive clutch                 | 4   | 01-06 | 45525-39501 | 63121     |
| D108                                 | Steel .099" 4.850" id 20T            | overdrive clutch                 | 3   | 01-06 | 124709      | 63127     |
| D108                                 | Steel .118" 4.850" id 20T            | overdrive clutch                 | 3/4 | 01-06 | 124709-300  | 63127A    |
| n/i                                  | Friction .067" 4.900" od 30T         | direct clutch                    | 3/5 | 01-06 | 45562-39500 | 63117     |
| n/i                                  | Steel .099" 3.470" id 20T            | direct clutch                    | 3/4 | 01-06 | 124711-250  | 63136     |
| n/i                                  | Steel, waved .069" 3.470" id 20T     | direct clutch                    | 1   | 01-06 | n/a         | 63139-R   |
| <b>PRESSURE PLATES</b>               |                                      |                                  |     |       |             |           |
| B115                                 | Pressure plate .157"                 | underdrive clutch                | 1   | 01-06 | AE          | 63141-R   |
| B116                                 | Pressure plate .232" (apply)         | low/reverse clutch               | sel | 01-06 | 45643-39516 | 63148-R   |
| C118                                 | Pressure plate (backing)             | 2nd brake clutch                 | 1   | 01-06 | 45628-39500 | 63150-R   |
| C119                                 | Pressure plate .099" (apply)         | 2nd brake clutch                 | sel | 01-06 | 45643-39516 | 63152-R   |
| D120                                 | Pressure plate .151"                 | reverse clutch                   | 1   | 01-06 | AE          | 63143-R   |
| D121                                 | Pressure plate .236"                 | overdrive clutch                 | 1   | 01-06 | AE          | 63145-R   |
| D122                                 | Pressure plate .157" (apply)         | overdrive clutch                 | 1   | 01-06 | AE          | 63146-R   |



# F5A51•W5A51•F5A5A

F5A51•W5A51•F5A5A

| ILL                                 | DESCRIPTION                    |                                  | QTY | YEAR  | REFERENCE # | PART #  |
|-------------------------------------|--------------------------------|----------------------------------|-----|-------|-------------|---------|
| <b>PRESSURE PLATES (CONTINUED)</b>  |                                |                                  |     |       |             |         |
| n/i                                 | Pressure plate .155" (backing) | direct clutch                    | 1   | 01-06 | n/a         | 63155-R |
| n/i                                 | Pressure plate .157" (apply)   | direct clutch                    | 1   | 01-06 | AE          | 63157-R |
| <b>FILTERS</b>                      |                                |                                  |     |       |             |         |
| G127                                | Filter (plastic)               | F5A51/W5A51                      | 1   | 01-06 | MR350441    | 63800L  |
| G126                                | Filter                         | F5A51/W5A51                      | 1   | 01-06 | 46322-39000 | 63710   |
| <b>BANDS</b>                        |                                |                                  |     |       |             |         |
| n/i                                 | Band, double wrap              | reduction brake                  | 1   | 01-06 | MD762016    | 39700   |
| <b>BUSHINGS</b>                     |                                |                                  |     |       |             |         |
| K13                                 | Kit, bushing                   | F5A51/W5A51                      | 1   | 01-06 | AE          | K63901K |
| A135                                | Bushing                        | pump body                        | 1   | 01-06 | 28330       | 63001   |
| A136                                | Bushing                        | pump support (front)             | 1   | 01-06 | n/a         | 63000   |
| C138                                | Bushing                        | output planetary (front)         | 1   | 01-06 | n/a         | 63003   |
| C139                                | Bushing                        | sun gear (front)                 | 1   | 01-06 | n/a         | 63006   |
| C140                                | Bushing                        | sun gear (rear)                  | 1   | 01-06 | n/a         | 63006   |
| C142                                | Bushing                        | 2nd brake clutch (front)         | 1   | 01-06 | n/a         | 63008   |
| C143                                | Bushing                        | 2nd brake clutch (front)         | 1   | 01-06 | n/a         | 63008   |
| D144                                | Bushing                        | overdrive hub (front)            | 1   | 01-06 | n/a         | 63010   |
| D145                                | Bushing                        | overdrive hub (rear)             | 1   | 01-10 | n/a         | 63010   |
| D146                                | Bushing                        | end housing                      | 1   | 01-06 | n/a         | 63012   |
| F150                                | Bushing                        | direct housing (front)           | 1   | 01-06 | n/a         | 63015   |
| F151                                | Bushing                        | direct housing (rear)            | 1   | 01-06 | n/a         | 63015   |
| <b>WASHERS/BEARINGS/RACES/SHIMS</b> |                                |                                  |     |       |             |         |
| A160                                | Washer, thrust .072" (fiber)   | underdrive housing to support    | sel | 01-06 | n/a         | 63400   |
| A160                                | Washer, thrust .084" (fiber)   | underdrive housing to support    | sel | 01-06 | n/a         | 63400A  |
| A160                                | Washer, thrust .101" (fiber)   | underdrive housing to support    | 1   | 01-06 | n/a         | 63400B  |
| B163                                | Bearing, thrust                | underdrive hub to ud housing     | 1   | 01-06 | AE          | 63401-R |
| B165                                | Bearing, cup/cone              | transfer gear support (front)    | 1   | 01-06 | n/a         | 63402   |
| B166                                | Bearing, cup/cone              | transfer gear support (rear)     | 1   | 01-06 | n/a         | 63403   |
| C169                                | Bearing, thrust                | overdrive planetary to sun gear  | 1   | 01-06 | 45743-39560 | 63431   |
| C171                                | Bearing, thrust                | 2nd brake hub to overdrive hub   | 1   | 01-06 | AE          | 63405-R |
| D172                                | Bearing, thrust                | overdrive hub to reverse housing | 1   | 01-06 | AE          | 63406-R |
| D175                                | Race, bearing                  | reverse housing to end housing   | 1   | 01-06 | AE          | 63419   |
| E178                                | Bearing, cup/cone              | differential housing (front)     | 1   | 01-06 | n/a         | 63408   |
| E180                                | Bearing, cup/cone              | differential housing (rear)      | 1   | 01-06 | n/a         | 63409   |
| F183                                | Bearing, cup/cone              | pinion shaft                     | 1   | 01-06 | n/a         | 63410   |
| F185                                | Bearing, cup/cone              | transfer driven gear             | 1   | 01-06 | n/a         | 63411   |
| <b>SNAP RINGS</b>                   |                                |                                  |     |       |             |         |
| A195                                | Snap ring                      | input shaft in ud housing        | 1   | 01-06 | AE          | 63621-R |
| A197                                | Snap ring                      | underdrive retainer              | 1   | 01-06 | AE          | 63622-R |
| B198                                | Snap ring                      | underdrive clutch                | 1   | 01-06 | AE          | 63623-R |
| B200                                | Snap ring                      | low/reverse retainer             | 1   | 01-06 | AE          | 63624-R |
| B201                                | Snap ring                      | seat for low/rev pressure plate  | 1   | 01-06 | AE          | 63625-R |
| B202                                | Snap ring                      | low/reverse pressure plate       | 1   | 01-06 | AE          | 63626-R |
| C204                                | Snap ring                      | output planetary in ring gear    | 1   | 01-06 | AE          | 63627-R |
| C205                                | Snap ring                      | overdrive planetary in ring gear | 1   | 01-06 | AE          | 63628-R |
| C206                                | Snap ring                      | 2nd brake housing                | 1   | 01-06 | AE          | 63629-R |
| D208                                | Snap ring                      | reverse clutch pressure plate    | 1   | 01-06 | AE          | 63630-R |
| D209                                | Snap ring                      | overdrive clutch pressure plate  | 1   | 01-06 | AE          | 63631-R |
| D210                                | Snap ring                      | overdrive clutch retainer        | 1   | 01-06 | AE          | 63632-R |
| F213                                | Snap ring                      | direct clutch pressure plate     | 1   | 01-06 | AE          | 63633-R |
| F214                                | Snap ring                      | direct clutch retainer           | 1   | 01-06 | AE          | 63634-R |
| F216                                | Snap ring                      | rear sprag                       | 1   | 01-06 | AE          | 63635-R |

| ILL                         | DESCRIPTION  | QTY | YEAR  | REFERENCE # | PART #   |
|-----------------------------|--|-----|-------|-------------|----------|
| <b>PUMP PARTS AND PUMPS</b> |  |     |       |             |          |
| A230                        | Pump, assembly F5A51/W5A51   | 1   | 01-06 | AE          | 63200J-R |
| A231                        | Body, pump w/gears (aluminum) F5A51/W5A51                                  | 1   | 01-06 | 46120-3A000 | 63300J   |
| A231                        | Body, pump w/gears (cast iron) F5A51/W5A51                                 | 1   | 01-06 | AE          | 63300J-R |
| A233                        | Stator, pump 8.375" od F5A51/W5A51   | 1   | 01-06 | 46130-3A500 | 63400J   |
| A233                        | Stator, pump 8.375" od F5A51/W5A51 (casting #FA5 or 299)                   | 1   | 01-06 | AE          | 63400J-R |
| <b>HARD PARTS</b>           |  |     |       |             |          |
| A240                        | Shaft, input 15.125" oh 4-holes  | 1   | 01-06 | AE          | 63720B-R |
| A241                        | Housing, underdrive (4-clutch) 60T reluctor 3.375" od                      | 1   | 01-06 | AE          | 63721B-R |
| A242                        | Piston, underdrive clutch (aluminum) 5.672" od                             | 1   | 01-06 | AE          | 63722A-R |
| A243                        | Retainer, w/20 springs 1.150" oh underdrive clutch                         | 1   | 01-06 | AE          | 63723A-R |
| A245                        | Retainer, underdrive clutch springs 5.305" od (aluminum)                   | 1   | 01-06 | AE          | 63724A-R |
| B246                        | Hub, underdrive clutch 4.715" od F5A51                                     | 1   | 01-06 | AE          | 63725A-R |
| B248                        | Gear, transfer drive 75T 6.290" od F5A51                                   | 1   | 01-06 | AE          | 63726D-R |
| B249                        | Housing, transfer drive gear (8-bolts) retainer                            | 1   | 01-06 | AE          | 63727B-R |
| B250                        | Nut, transfer drive gear 2.755" od 4-notches                               | 1   | 01-06 | AE          | 63731B-R |
| B252                        | Piston, low/reverse clutch .970' oh 7" od                                  | 1   | 01-06 | AE          | 63732B-R |
| B252                        | Piston, low/reverse clutch .850' oh 7" od                                  | 1   | 01-06 | AE          | 63732C-R |
| B253                        | Spring, spiral 6.937" od low/reverse clutch                                | 1   | 01-06 | MD534166    | 63638J   |
| B254                        | Retainer, low/reverse clutch 6.937" od F5A51                               | 1   | 01-06 | AE          | 63733A-R |
| B255                        | Race, inner sprag .625" 4.375" od w/o O'ring groove                        | 1   | 01-06 | AE          | 63734B-R |
| B255                        | Race, inner sprag .625" 4.375" od w/O'ring groove                          | 1   | 01-06 | AE          | 63734C-R |
| C261                        | Planetary, rear (34 splines w/o bushing) F5A51-2 (4-gears w/68T ring gear) | 1   | 01-06 | AE          | 63730L-R |
| C262                        | Gear, rear sun 2.910" od 42T 3.840" length                                 | 1   | 01-06 | AE          | 63738K-R |
| C263                        | Gear, rear ring (sprag type) 70T 3.660" length                             | 1   | 01-06 | AE          | 63737C-R |
| C264                        | Planetary, overdrive 3-pinion gears 21T                                    | 1   | 01-06 | AE          | 63739A-R |
| C265                        | Hub, 2nd brake w/sun gear 25T 5.900" od                                    | 1   | 01-06 | AE          | 63741A-R |
| C267                        | Spring, spiral 7.625" od 2nd brake clutch                                  | 1   | 01-06 | AE          | 63742A-R |
| C268                        | Piston .655" oh 7.500" od 2nd brake clutch                                 | 1   | 01-06 | AE          | 63743A-R |
| C268                        | Piston .735" oh 7.500" od 2nd brake clutch                                 | 1   | 01-06 | AE          | 63743B-R |
| C269                        | Housing 7.625" od 2nd brake clutch piston                                  | 1   | 01-06 | AE          | 63744A-R |
| D270                        | Hub, overdrive clutch 4.760" od at hub 1.080" od at splines                | 1   | 01-06 | AE          | 63746A-R |
| D272                        | Retainer, overdrive clutch 5.500" od                                       | 1   | 01-06 | AE          | 63747A-R |
| D273                        | Retainer, w/springs (20-springs) overdrive clutch                          | 1   | 01-06 | AE          | 63748A-R |
| D274                        | Piston, overdrive clutch casting #500747                                   | 1   | 01-06 | AE          | 63749A-R |
| D276                        | Housing, overdrive (4-clutch) aluminum casting#500744                      | 1   | 01-06 | AE          | 63770B-R |
| D278                        | Housing, end (14-bolts) casting #F5A51 or 39501                            | 1   | 01-06 | AE          | 63771D-R |
| E280                        | Differential w/spider gears (10-bolts) 36T speedo tapered bearings         | 1   | 01-06 | AE          | 63772D-R |
| E281                        | Gear, final drive ring (36T 10-bolts) speedo taperd bearings (no-groove)   | 1   | 01-06 | AE          | 63773P-R |
| E284                        | Gear, pinion (21T no-groove) 3" length                                     | 1   | 01-06 | AE          | 63774F-R |
| E285                        | Gear, park (18-lugs) .345' thick 27 splines                                | 1   | 01-06 | AE          | 63780-R  |
| E286                        | Gear, transfer driven (89T) w/ring gear (no-groove)                        | 1   | 01-06 | AE          | 63776D-R |
| E286                        | Planetary, direct (3-pinion gears 21T) no-groove 9.625" length             | 1   | 01-06 | AE          | 63782-R  |
| F289                        | Piston, direct clutch retainer aluminum                                    | 1   | 01-06 | AE          | 63783-R  |
| F290                        | Retainer, w/springs (20 springs) direct clutch                             | 1   | 01-06 | AE          | 63784-R  |
| F291                        | Piston, direct clutch aluminum   | 1   | 01-06 | AE          | 63785-R  |
| F292                        | Housing, direct clutch (w/32T sun gear) 3-clutch (1-groove)                | 1   | 01-06 | AE          | 63786-R  |
| F295                        | Race, outer (rear sprag) 15-lugs   | 1   | 01-06 | AE          | 63787-R  |
| G297                        | Case, front half (starter at 4:00) 2-top bolt holes 3.500" apart           | 1   | 01-06 | F5A51       | 63778H-R |
| G310                        | Case, main half (end housing 14-bolts) F5A51                               | 1   | 01-06 | AE          | 63790G-R |
| G316                        | Pan, side cover 2.125" oh dipstick tube F5A51                              | 1   | 01-06 | AE          | 63794D-R |
| G335                        | Valve body (6-solenoids) F5A51   | 1   | 01-04 | AE          | 63798D-R |
| G355                        | Valve body (7-solenoids) F5A51   | 1   | 05-06 | AE          | 63798E-R |

# F5A51•W5A51•F5A5A

F5A51•W5A51•F5A5A

| ILL                          | DESCRIPTION  | QTY | YEAR  | REFERENCE #      | PART #   |
|------------------------------|--|-----|-------|------------------|----------|
| <b>ELECTRICAL COMPONENTS</b> |  |     |       |                  |          |
| G350                         | Solenoid overdrive clutch                                | 1   | 01-06 | MD758981         | 5A-212   |
| G351                         | Solenoid low/reverse brake clutch                        | 1   | 01-06 | MD758981         | 5A-212   |
| G352                         | Solenoid VFS   | 1   | 05-06 | T41435A          | 5A-213   |
| G354                         | Switch, inhibitor - PRNDL                                | 1   | 01-06 | K42954-SW        | 15A-130  |
| G356                         | Sensor input speed                                       | 1   | 01-06 | T41438           | 05-103   |
| G357                         | Sensor output speed                                      | 1   | 01-06 | T41436           | 05-104   |
| G365                         | Harness, intenal 7-wire connectors/1 temp connector      | 1   | 05-06 | T41446CA         | 16A-152A |
| G358                         | Solenoid underdrive clutch                               | 1   | 01-06 | MD758981         | 5A-212   |
| G359                         | Solenoid 2nd brake clutch                                | 1   | 01-06 | MD758981         | 5A-212   |
| G360                         | Solenoid damper clutch control                           | 1   | 01-06 | MD758981         | 5A-212   |
| G365                         | Harness, internal 6-wire connectors/1 temp connector     | 1   | 01-04 | K41954-HL        | 16A-152  |
| n/i                          | Sensor temperature (TOT)                                 | 1   | 01-06 | 41437A           | 05-109   |
| n/i                          | Solenoid F5A51-3   | 1   | 05-06 | MD758981         | 5A-212   |
| n/i                          | Kit, solenoid master 6-solenoids w/TOT                   | 1   | 01-04 | MS-KM-40/50-01-H | 25A-046  |
| n/i                          | Kit, solenoid master 7-solenoids w/TOT/VFS               | 1   | 05-06 | MS-KM-F5A51-05-H | 25A-046A |
| <b>SPRAGS</b>                |  |     |       |                  |          |
| C345                         | Sprag, one-way clutch (32 elements) .438" inner diameter | 1   | 01-06 | MR470208         | 39502    |
| F347                         | Sprag, one-way clutch (32 elements) .317" inner diameter | 1   | 01-06 | MR176716         | 39503    |
| <b>NOTES</b>                 |  |     |       |                  |          |
|                              |  |     |       |                  |          |
|                              |  |     |       |                  |          |
|                              |  |     |       |                  |          |
|                              |  |     |       |                  |          |
|                              |  |     |       |                  |          |
|                              |  |     |       |                  |          |
|                              |  |     |       |                  |          |
|                              |  |     |       |                  |          |
|                              |  |     |       |                  |          |
|                              |  |     |       |                  |          |
|                              |  |     |       |                  |          |
|                              |  |     |       |                  |          |
|                              |  |     |       |                  |          |
|                              |  |     |       |                  |          |
|                              |  |     |       |                  |          |
|                              |  |     |       |                  |          |
|                              |  |     |       |                  |          |
|                              |  |     |       |                  |          |
|                              |  |     |       |                  |          |
|                              |  |     |       |                  |          |
|                              |  |     |       |                  |          |
|                              |  |     |       |                  |          |
|                              |  |     |       |                  |          |
|                              |  |     |       |                  |          |
|                              |  |     |       |                  |          |
|                              |  |     |       |                  |          |
|                              |  |     |       |                  |          |
|                              |  |     |       |                  |          |
|                              |  |     |       |                  |          |
|                              |  |     |       |                  |          |
|                              |  |     |       |                  |          |
|                              |  |     |       |                  |          |
|                              |  |     |       |                  |          |
|                              |  |     |       |                  |          |
|                              |  |     |       |                  |          |
|                              |  |     |       |                  |          |
|                              |  |     |       |                  |          |
|                              |  |     |       |                  |          |

# THE DODGE DIESEL TRIO

Combine Superior's New 48RE Kit, Low Reverse & Intermediate Super Servos to achieve the Total Fix for late model Dodge Diesel Truck Applications



## The New SUPERIOR 48 RE Kit

Continuing in a proud tradition is our new 48RE Kit. This latest shift correction package is designed for popular Dodge truck applications. The 48RE Kit works on '05 & up Diesel units with Throttle Valve Actuators, addresses the 740 Code and many other common performance concerns.

The 48RE Shift Correction Package helps eliminate the following problems:

- Code 740
- Inadequate Line Pressure
- Premature Clutch Failure
- No-Stick Throttle Valve
- Rapid Fill Manual Valve
- Boost Valve Plate & Clip
- Slow Engagements
- Premature Band Failure



### The New Superior 618/48RE Low Reverse Super Servo

- Stabilizes piston so it will not flip or break in the bore
- Constructed of 6061-T6 billet aluminum for strength
- Steel servo pin included



### Superior 727/518/618/48RE Intermediate Super Servo

- 11% more holding power
- More positive 2-3 shift
- Perfect for heavy duty and Performance Applications
- Firmer 1-2 shift



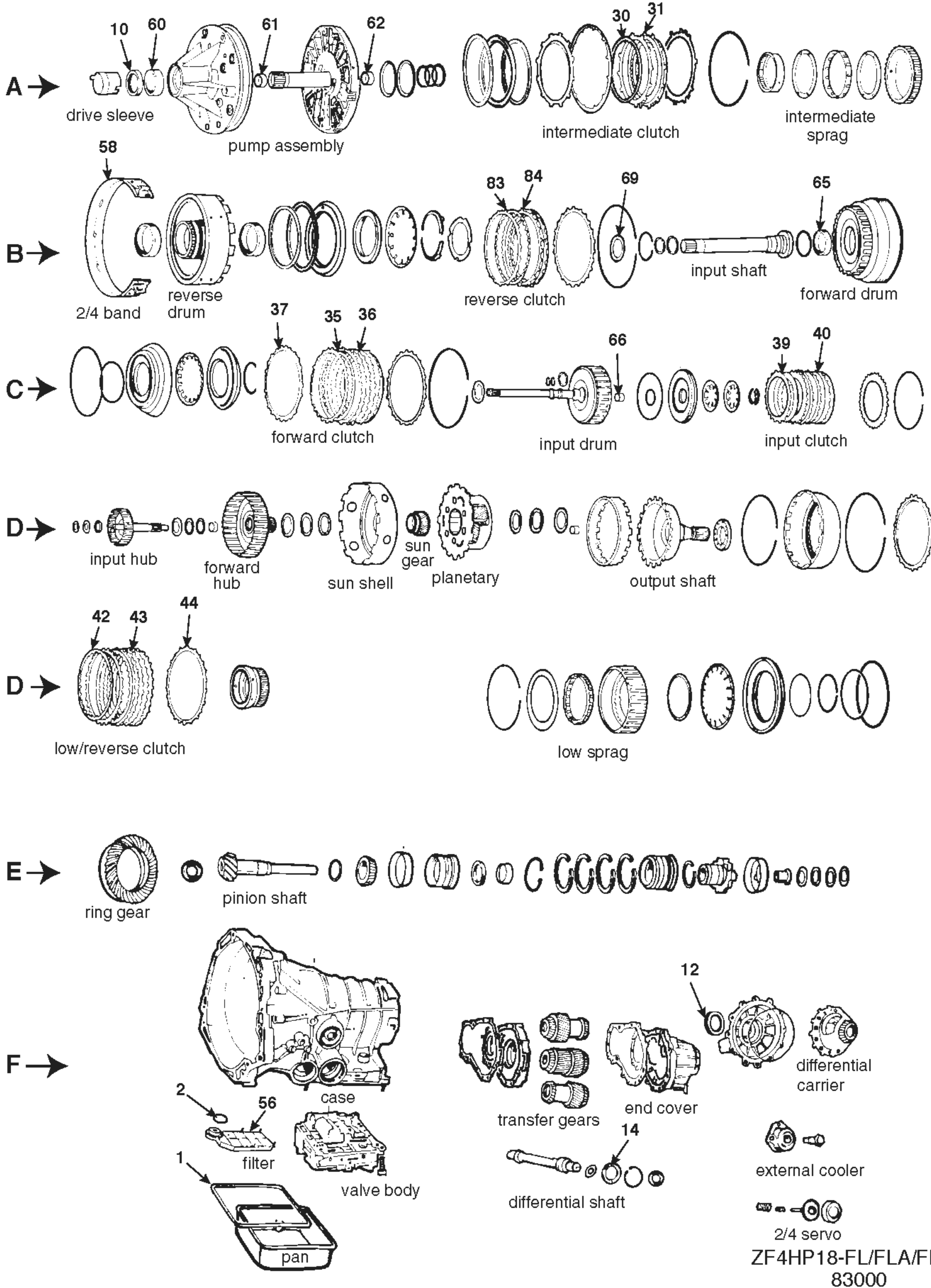
**SUPERIOR**  
TRANSMISSION PARTS, INC.  
THE SIMPLE SOLUTION



800-451-3115

www.superiortransmission.com





ZF4HP18-FL/FLA/FLE  
83000

# ZF4HP18-FL•ZF4HP18-FLA•ZF4HP18-FLE

ZF4HP18-FL•FLA•FLE

| ILL                                  | DESCRIPTION  | QTY | YEAR  | REFERENCE #    | PART #   |
|--------------------------------------|--|-----|-------|----------------|----------|
| <b>TECHNICAL MANUALS</b>             |  |     |       |                |          |
| n/i                                  | Tech manual ZF4HP18FL dis/assembly diagnosis/troubleshooting | 1   | 88-99 | 83-ZF4HP18TM   | 010-404  |
| <b>REBUILDER KITS</b>                |  |     |       |                |          |
| K5                                   | Master kit w/steels ZF4HP18-FL                               | 1   | 88-99 | AE             | K8300    |
| K6                                   | Master kit w/o steels ZF4HP18-FL                             | 1   | 88-99 | AE             | K8300-LS |
| K7                                   | O/H gasket set w/seals-rings ZF4HP18-FL                      | 1   | 88-99 | AE             | K83900   |
| <b>GASKETS AND RUBBER COMPONENTS</b> |  |     |       |                |          |
| F1                                   | Gasket, oil pan molded rubber                                | 1   | 88-99 | 01F-321-371    | 13412R   |
| F2                                   | Seal, lathe cut filter                                       | 1   | 88-99 | n/a            | 13419    |
| n/i                                  | Gasket filter housing  | 1   | 88-99 | n/a            | 13415    |
| <b>METAL CLAD SEALS</b>              |  |     |       |                |          |
| A10                                  | Seal, metal clad pump  | 1   | 88-99 | 83505225       | 83151    |
| F12                                  | Seal, metal clad 62x45x8mm right axle (outer)                | 1   | 88-99 | 83805052       | 83152    |
| n/i                                  | Seal, metal clad 42x32x7mm right axle (inner)                | 1   | 88-99 | n/a            | 83153    |
| F14                                  | Seal, metal clad 62x35x10mm left axle (outer)                | 1   | 88-99 | 83805053       | 83154    |
| n/i                                  | Seal, metal clad 55x40x7mm left axle (inner)                 | 1   | 88-99 | n/a            | 83155    |
| n/i                                  | Seal, metal clad 70x53x7mm pinion                            | 2   | 88-99 | 83505264       | 82159    |
| n/i                                  | Seal, metal clad 12x22x7mm manual lever shaft                | 1   | 88-99 | 0634-300-040   | 46202    |
| n/i                                  | Seal, metal clad speedometer gear                            | 1   | 88-99 | FU03-27-238    | 65202    |
| <b>SEALING RINGS</b>                 |  |     |       |                |          |
| K10                                  | Kit, sealing ring ZF4HP18-FL                                 | 1   | 88-99 | AE             | K83300   |
| <b>CLUTCH PLATES</b>                 |  |     |       |                |          |
| A30                                  | Friction .063" 5.625" od 48T (C) intermediate overrun clutch | 3   | 88-99 | 1050-210-053   | 56106A   |
| A31                                  | Steel .071" 4.728" id 12T (C) intermediate overrun clutch    | 3   | 88-99 | 24231-205-935  | 56101    |
| B33                                  | Friction .079" 5.792" od 30T (B) reverse clutch              | 3   | 88-99 | 1050-202-004   | 83103    |
| B34                                  | Steel .071" 5.204" id 24T (B) reverse clutch                 | 3   | 88-99 | 1050-302-011   | 83100    |
| C35                                  | Friction .063" 5.778" od 30T (A) forward clutch              | 5   | 88-99 | 1050-202-002   | 83101    |
| C36                                  | Steel .071" 5.204" id 24T (A) forward clutch                 | 5   | 88-99 | 1050-302-011   | 83100    |
| C37                                  | Steel, waved .040" 5.204" id 24T (A) forward clutch          | 1   | 88-99 | 1050-302-012   | 83115    |
| C39                                  | Friction .063" 4.250" od 36T (E) input clutch                | 5   | 88-99 | 1050-230-033   | 83107    |
| C40                                  | Steel .071" 3.079" id 30T (E) input clutch                   | 5   | 88-99 | 1050-230-059   | 83104    |
| D42                                  | Friction .063" 5.778" od 30T (D) low/reverse clutch          | 6   | 88-99 | 1050-217-002   | 83101    |
| D43                                  | Steel .071" 5.204" id 24T (D) low/reverse clutch             | 6   | 88-99 | 1050-302-011   | 83100    |
| D44                                  | Steel, waved .040" 5.204" id 24T (D) low/reverse clutch      | 1   | 88-99 | 1050-302-012   | 83115    |
| <b>FILTERS</b>                       |  |     |       |                |          |
| K9                                   | Kit, Filter Premier/Monaco (ZF4HP18FL)                       | 1   | 88-99 | AE             | FK83800  |
| F56                                  | Filter Premier/Monaco (ZF4HP18-FL)                           | 1   | 88-99 | 83504685       | 83800    |
| F56                                  | Filter Audi (ZF4HP18FLE)                                     | 1   | 88-99 | 01F-325-433    | 83800C   |
| F56                                  | Filter Porsche (ZF4HP18FLA/E)                                | 1   | 91-99 | 943-607-011-02 | 83800A   |
| <b>BANDS</b>                         |  |     |       |                |          |
| B58                                  | Band, flex ZF4HP18FL (intermediate brake)                    | 1   | 88-99 | 0501-207-503   | 83700    |
| B58                                  | Band, flex ZF4HP18FLA/FLE (intermediate brake)               | 1   | 91-99 | 0501-210-101   | 83700A   |
| <b>BUSHINGS</b>                      |  |     |       |                |          |
| K13                                  | Kit, bushing 5 pieces  | 1   | 88-99 | AE             | K83901   |
| K13                                  | Kit, bushing 2 pieces (input and stator shaft)               | 1   | 88-99 | AE             | K83902   |
| A60                                  | Bushing pump   | 1   | 88-92 | n/a            | 83001    |
| A61                                  | Bushing stator support (front)                               | 1   | 88-92 | n/a            | 83007    |
| A62                                  | Bushing stator support (rear)                                | 1   | 88-92 | n/a            | 56003    |
| B65                                  | Bushing turbine shaft (rear)                                 | 1   | 88-92 | n/a            | 83006    |
| C66                                  | Bushing input drum   | 1   | 88-92 | n/a            | 83002    |
|                                      |  |     |       |                |          |
|                                      |  |     |       |                |          |
|                                      |  |     |       |                |          |
|                                      |  |     |       |                |          |

**ZF4HP18-FL•ZF4HP18-FLA•ZF4HP18-FLE**

ZF4HP18-FL•FLA•FLE

| ILL                                 | DESCRIPTION                               | QTY | YEAR  | REFERENCE #  | PART #          |
|-------------------------------------|---|-----|-------|--------------|-----------------|
| <b>WASHERS/BEARINGS/RACES/SHIMS</b> |   |     |       |              |                 |
| B69                                 | Thrust washer forward clutch drum         | 1   | 88-99 | 0730-150-726 | <b>83401</b>    |
| <b>PUMP PARTS AND PUMPS</b>         |   |     |       |              |                 |
| A                                   | Pump assembly Audi (ZF4HP18FLE)           | 1   | 89-97 | AE           | <b>83200-R</b>  |
| A                                   | Pump assembly Monaco/Premier (ZF4HP18-FL) | 1   | 90-92 | AE           | <b>83200A-R</b> |
| A                                   | Pump assembly A8 Quattro (ZF4HP18FLA)     | 1   | 95-95 | AE           | <b>83200B-R</b> |
| A                                   | Pump assembly Porsche (ZF4HP18FLA/E)      | 1   | 91-95 | AE           | <b>83200C-R</b> |
| <b>NOTES</b>                        |   |     |       |              |                 |
|                                     |   |     |       |              |                 |
|                                     |   |     |       |              |                 |
|                                     |   |     |       |              |                 |
|                                     |   |     |       |              |                 |
|                                     |   |     |       |              |                 |
|                                     |   |     |       |              |                 |
|                                     |   |     |       |              |                 |
|                                     |   |     |       |              |                 |
|                                     |   |     |       |              |                 |
|                                     |   |     |       |              |                 |
|                                     |   |     |       |              |                 |
|                                     |   |     |       |              |                 |
|                                     |   |     |       |              |                 |
|                                     |   |     |       |              |                 |
|                                     |   |     |       |              |                 |
|                                     |   |     |       |              |                 |
|                                     |   |     |       |              |                 |
|                                     |   |     |       |              |                 |
|                                     |   |     |       |              |                 |
|                                     |   |     |       |              |                 |
|                                     |   |     |       |              |                 |
|                                     |   |     |       |              |                 |
|                                     |   |     |       |              |                 |
|                                     |   |     |       |              |                 |
|                                     |   |     |       |              |                 |
|                                     |   |     |       |              |                 |
|                                     |   |     |       |              |                 |
|                                     |   |     |       |              |                 |
|                                     |   |     |       |              |                 |
|                                     |   |     |       |              |                 |
|                                     |   |     |       |              |                 |
|                                     |   |     |       |              |                 |
|                                     |   |     |       |              |                 |
|                                     |   |     |       |              |                 |
|                                     |   |     |       |              |                 |
|                                     |   |     |       |              |                 |
|                                     |   |     |       |              |                 |
|                                     |   |     |       |              |                 |
|                                     |   |     |       |              |                 |
|                                     |   |     |       |              |                 |
|                                     |   |     |       |              |                 |
|                                     |   |     |       |              |                 |
|                                     |   |     |       |              |                 |
|                                     |   |     |       |              |                 |
|                                     |   |     |       |              |                 |
|                                     |   |     |       |              |                 |
|                                     |   |     |       |              |                 |
|                                     |   |     |       |              |                 |
|                                     |   |     |       |              |                 |
|                                     |   |     |       |              |                 |
|                                     |   |     |       |              |                 |
|                                     |   |     |       |              |                 |
|                                     |   |     |       |              |                 |
|                                     |   |     |       |              |                 |

**CHOOSE THE BRAND THAT FITZ**  
Ask For Genuine Teckpak/Fitzall Parts



TeckPak

**Teckpak... 30years of answering  
your transmission needs Made  
in the heartland of the USA.  
Putting Americans to work  
Keep America Working!**

**TECKPAK/FITZALL**

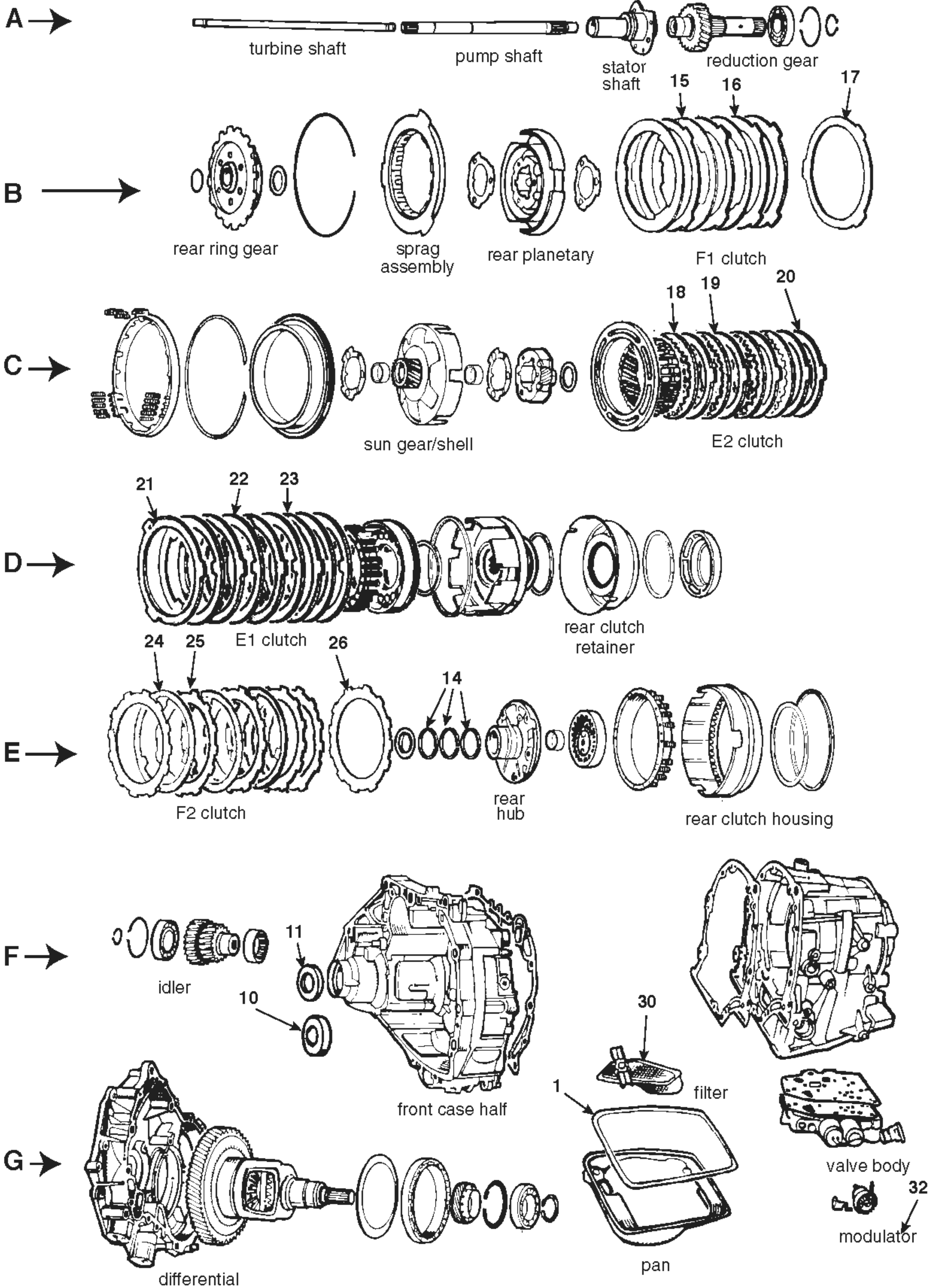
Toll Free: 1.800.527.2544

Voice: 573.785.8238

Fax: 573.785.3303

[www.teckpak-fitzall.com](http://www.teckpak-fitzall.com)

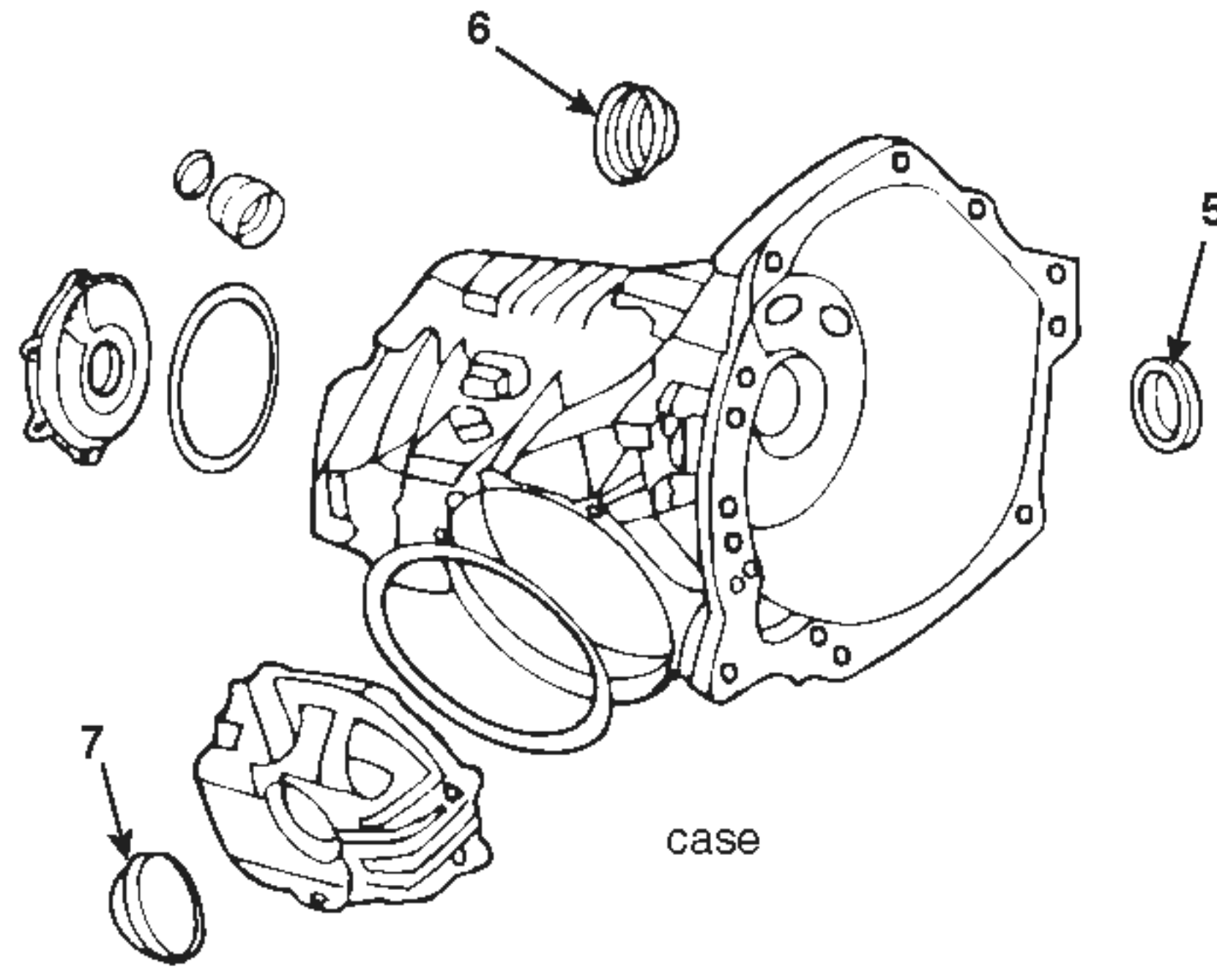




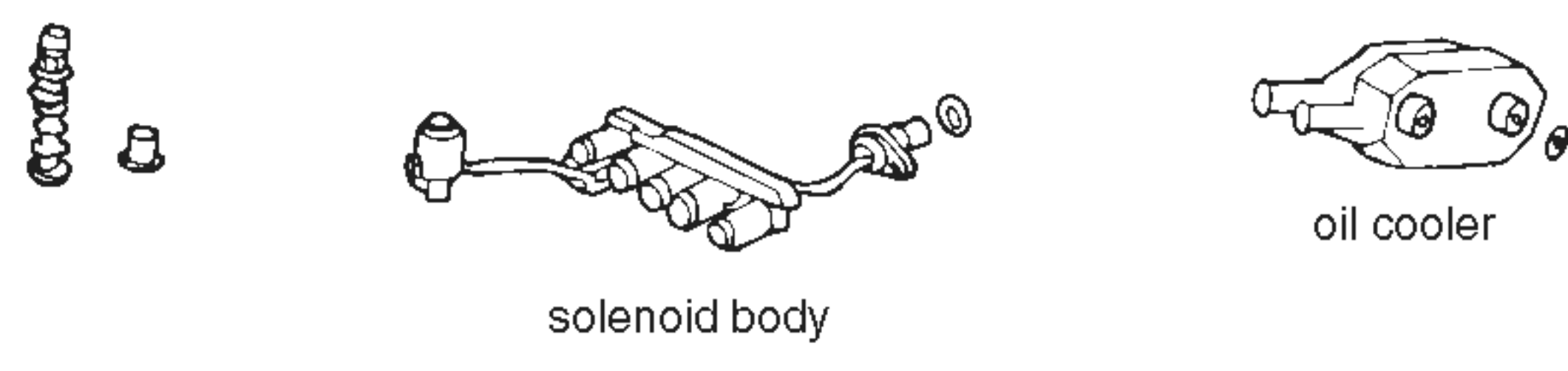
MB-1/MJ3  
71000

| ILL                                  | DESCRIPTION                             |                             |   | QTY   | YEAR           | REFERENCE # | PART #    |
|--------------------------------------|---|-----------------------------|---|-------|----------------|-------------|-----------|
| <b>REBUILDER KITS</b>                |   |                             |   |       |                |             |           |
| K5                                   | Master kit w/steels                     | MB-1 (w/o E1 and E2 plates) | 1 | 83-88 | AE             |             | K7100     |
| K5                                   | Master kit w/steels                     | MB-1 (w/E1 and E2 plates)   | 1 | 83-88 | AE             |             | K7100A    |
| K5                                   | Master kit w/steels                     | MJ-3                        | 1 | 84-89 | AE             |             | K7100B    |
| K6                                   | Master kit w/o steels                   | MB-1 (w/o E1 and E2 plates) | 1 | 83-88 | AE             |             | K7100-LS  |
| K6                                   | Master kit w/o steels                   | MB-1 (w/E1 and E2 plates)   | 1 | 83-88 | AE             |             | K7100A-LS |
| K6                                   | Master kit w/o steels                   | MJ-3                        | 1 | 84-89 | AE             |             | K7100B-LS |
| K7                                   | O/H gasket set w/seals-rings            | MB-1                        | 1 | 83-88 | AE             |             | K71900    |
| K7                                   | O/H gasket set w/seals-rings            | MJ3                         | 1 | 84-89 | AE             |             | K71900B   |
| K11                                  | Gasket and seal kit                     | MB1/MJ3                     | 1 | 83-88 | AE             |             | K71900-1  |
| <b>GASKETS AND RUBBER COMPONENTS</b> |   |                             |   |       |                |             |           |
| G1                                   | Gasket, oil pan                         | rubber                      | 1 | 83-89 | 77-00-680-106  |             | 13971R    |
| n/i                                  | Seal, lathe cut                         | filter                      | 1 | 83-89 | 77-03-065-118  |             | 13770     |
| <b>METAL CLAD SEALS</b>              |   |                             |   |       |                |             |           |
| F10                                  | Seal, metal clad                        | MB1 (front)                 | 1 | 83-89 | 77-03-087-135  |             | 71200     |
| F10                                  | Seal, metal clad 60mm od                | front                       | 1 | 84-89 | T3065124       |             | 71200A    |
| F11                                  | Seal, metal clad                        | MB1 (axle left)             | 1 | 83-89 | 77-03-087-114  |             | 71201     |
| n/i                                  | Seal, metal clad 54mm od                | axle left and right         | 2 | 84-89 | T3087106       |             | 71202     |
| <b>SEALING RINGS</b>                 |   |                             |   |       |                |             |           |
| E14                                  | Ring, sealing (metal) 2.100"            | pump cover to E1-E2 clutch  | 3 | 83-89 | 77-01-462-295  |             | 71300     |
| <b>CLUTCH PLATES</b>                 |   |                             |   |       |                |             |           |
| B15                                  | Friction .080" 7.48" od 3T              | front clutch (F1)           | 4 | 83-89 | 7701-462-298   |             | 71103     |
| B16                                  | Steel .060" 6.73" id 3T                 | flat front clutch (F1)      | 5 | 83-89 | 7701-462-298   |             | 71100     |
| B17                                  | Steel, waved .060" 6.73" id 3T          | front clutch (F1)           | 1 | 83-89 | 7701-462-298   |             | 71101     |
| C18                                  | Friction .080" 4.84" od 21T             | intermediate clutch (E1)    | 4 | 83-89 |                |             | 71102     |
| C19                                  | Steel .060" 4.30" 3T                    | intermediate clutch (E1)    | 4 | 83-89 |                |             | 71104     |
| C20                                  | Steel, waved .060" 4.30" 3T             | intermediate clutch (E1)    | 1 | 83-89 |                |             | 71105     |
| D21                                  | Friction .080" 5.25" od 3T (external T) | intermediate clutch (E2)    | 4 | 83-89 | 7701-596-732   |             | 71102A    |
| D22                                  | Steel .060" 5.85" id 3T                 | intermediate clutch (E2)    | 4 | 83-89 |                |             | 71104A    |
| D23                                  | Steel, waved .060" 5.85" id 3T          | intermediate clutch (E2)    | 1 | 83-89 |                |             | 71105A    |
| E24                                  | Friction .080" 7.00" od 12T             | rear clutch (F2)            | 4 | 83-89 | 7701-462-297   |             | 71106     |
| E25                                  | Steel .060" 7.00" od 12T                | rear clutch (F2)            | 4 | 83-89 | 7701-462-297   |             | 71107     |
| E26                                  | Steel, waved .060" 7.00" od 12T         | rear clutch (F2)            | 1 | 83-89 | 7701-462-297   |             | 71108     |
| <b>FILTERS</b>                       |   |                             |   |       |                |             |           |
| K9                                   | Kit, filter                             | MB1/MJ3                     | 1 | 83-88 | AE             |             | FK71800   |
| K9                                   | Kit, filter                             | MJ3                         | 1 | 86-89 | AE             |             | FK71800B  |
| G30                                  | Filter                                  | DeLorean only               | 1 | 83-88 | 7700-712-751   |             | 71800     |
| G30                                  | Filter                                  | MJ3 (w/middle pickup)       | 1 | 86-89 | 77007-39883    |             | 71800B    |
| <b>MODULATORS</b>                    |   |                             |   |       |                |             |           |
| G32                                  | Modulator, capsule                      | MB1                         | 1 | 83-89 | 77-00-714-199B |             | 71830     |
| <b>NOTES</b>                         |   |                             |   |       |                |             |           |
|                                      |   |                             |   |       |                |             |           |
|                                      |   |                             |   |       |                |             |           |
|                                      |   |                             |   |       |                |             |           |
|                                      |   |                             |   |       |                |             |           |
|                                      |   |                             |   |       |                |             |           |
|                                      |   |                             |   |       |                |             |           |
|                                      |   |                             |   |       |                |             |           |
|                                      |   |                             |   |       |                |             |           |
|                                      |   |                             |   |       |                |             |           |
|                                      |   |                             |   |       |                |             |           |
|                                      |   |                             |   |       |                |             |           |
|                                      |   |                             |   |       |                |             |           |
|                                      |   |                             |   |       |                |             |           |
|                                      |   |                             |   |       |                |             |           |
|                                      |   |                             |   |       |                |             |           |
|                                      |   |                             |   |       |                |             |           |
|                                      |   |                             |   |       |                |             |           |
|                                      |   |                             |   |       |                |             |           |
|                                      |   |                             |   |       |                |             |           |
|                                      |   |                             |   |       |                |             |           |

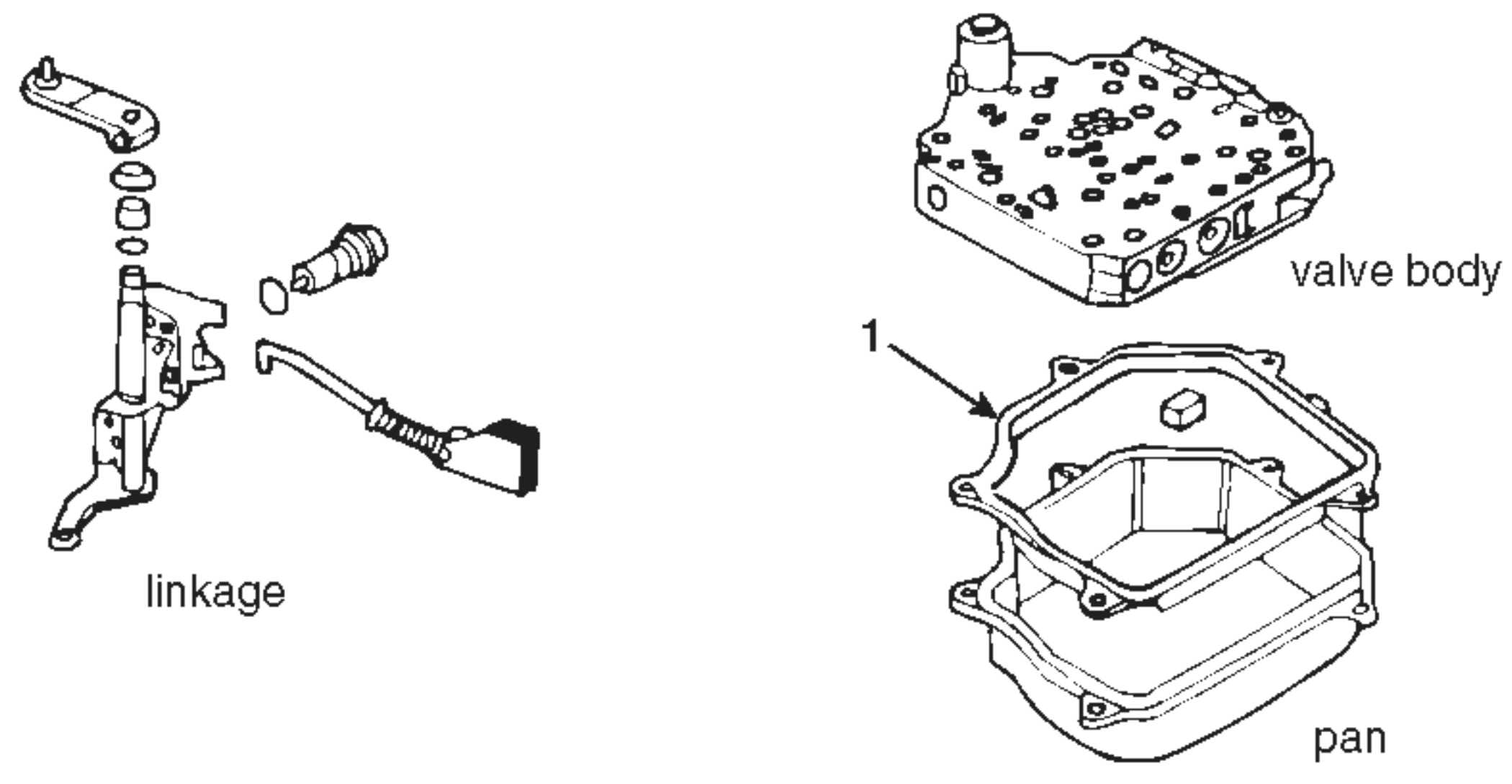
A →



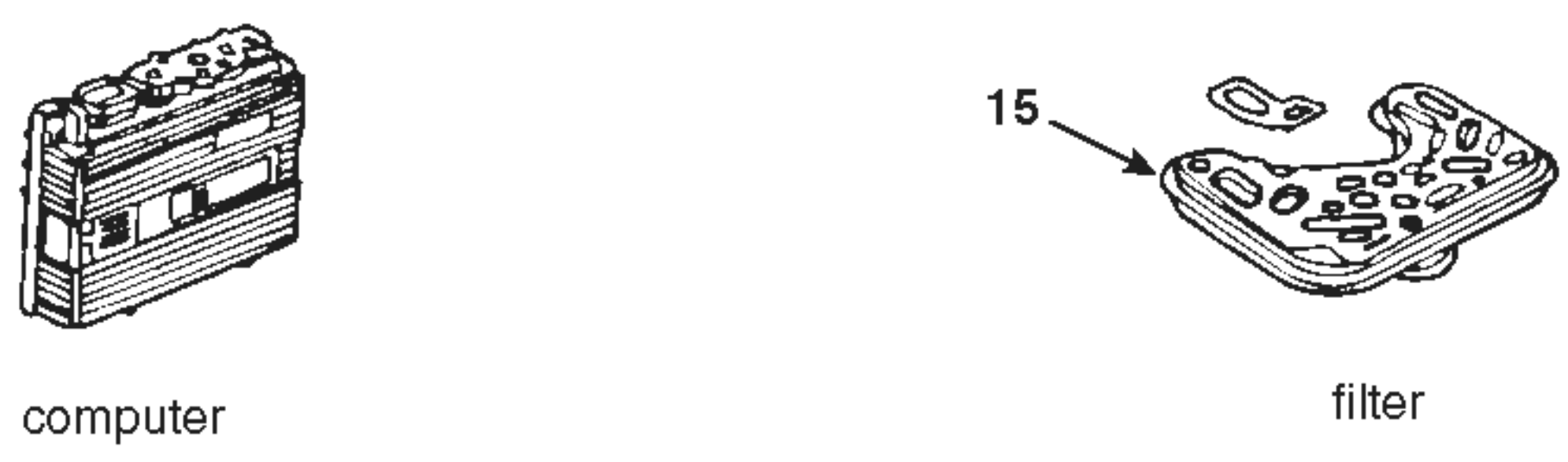
B →



C →



D →

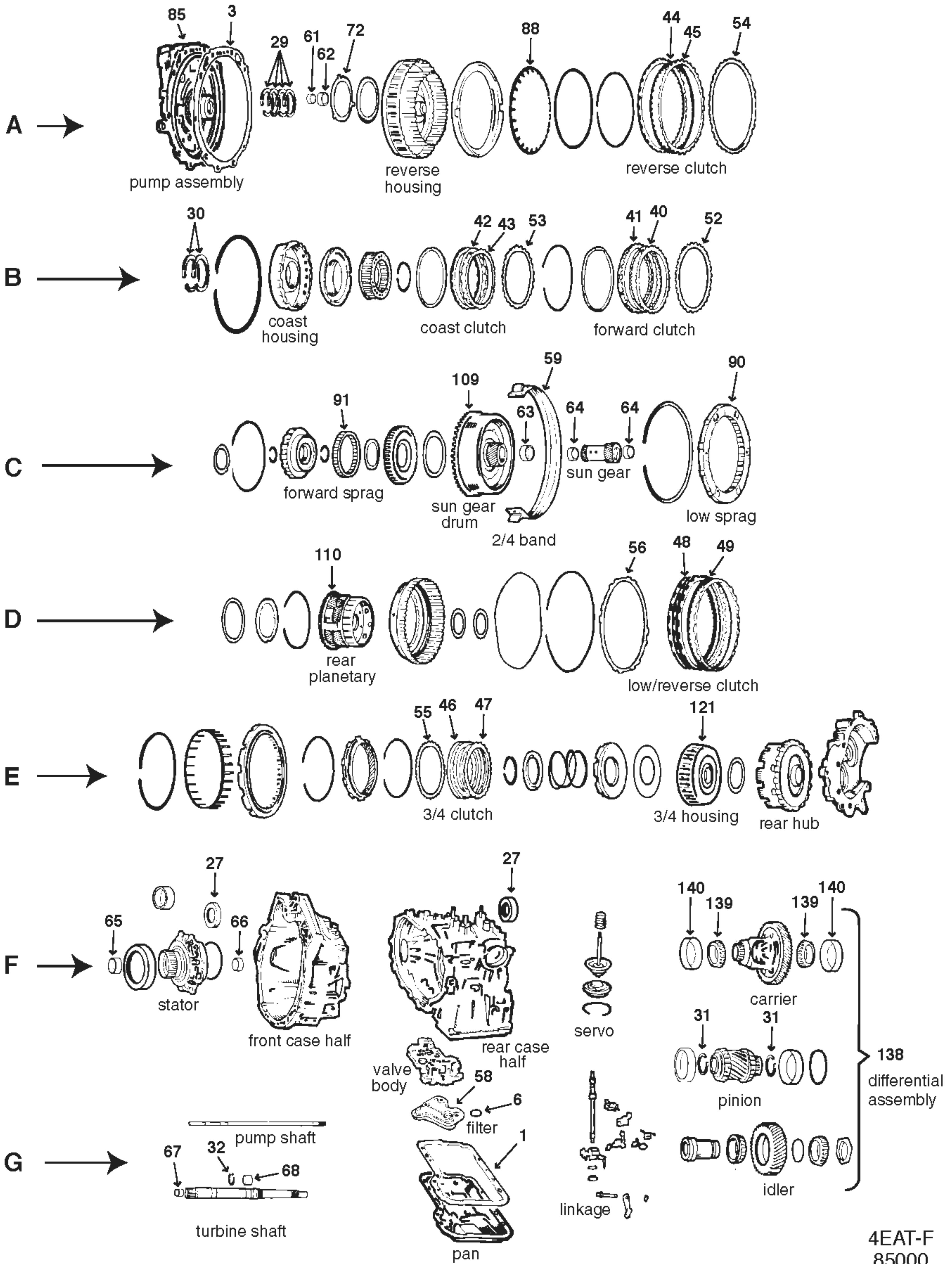


AR-4/AR4  
96000

| ILL                                  | DESCRIPTION                           |                            | QTY | YEAR  | REFERENCE #   | PART #          |
|--------------------------------------|---------------------------------------|----------------------------|-----|-------|---------------|-----------------|
| <b>REBUILDER KITS</b>                |                                       |                            |     |       |               |                 |
| K5                                   | Master kit w/steels                   | AR4                        | 1   | 88-89 | AE            | <b>K9600</b>    |
| K6                                   | Master kit w/o steels                 | AR4                        | 1   | 88-89 | AE            | <b>K9600-LS</b> |
| K7                                   | O/H gasket set w/seals-rings          | w/molded pistons           | 1   | 88-89 | AE            | <b>K96900</b>   |
| K7                                   | O/H gasket set w/seals-rings          | w/o molded pistons         | 1   | 88-89 | AE            | <b>K96900-1</b> |
| <b>GASKETS AND RUBBER COMPONENTS</b> |                                       |                            |     |       |               |                 |
| C1                                   | Gasket, oil pan                       | molded rubber              | 1   | 88-89 | T0733198      | <b>13112R</b>   |
| n/i                                  | Gasket                                | pump to case               | 1   | 89-89 | 77-00-736-631 | <b>23094</b>    |
| n/i                                  | Gasket                                | filter to valve body       | 1   | 89-89 | 77-00-745-510 | <b>23095</b>    |
| <b>METAL CLAD SEALS</b>              |                                       |                            |     |       |               |                 |
| A5                                   | Seal, metal clad                      | front                      | 1   | 88-89 | T3087157      | <b>93200</b>    |
| A6                                   | Seal, metal clad                      | left axle                  | 1   | 88-89 | T3087144      | <b>93202</b>    |
| A7                                   | Seal, metal clad                      | right axle                 | 1   | 88-89 | T3087143      | <b>93203</b>    |
| n/i                                  | Seal, metal clad                      | pinion                     | 1   | 89-89 |               | <b>96157</b>    |
| n/i                                  | Seal, metal clad                      | manual lever shaft         | 1   | 88-89 | T0729206      | <b>93209</b>    |
| <b>SEALING RINGS</b>                 |                                       |                            |     |       |               |                 |
| K10                                  | Kit, sealing ring                     | AR4                        | 1   | 88-89 | AE            | <b>K96903</b>   |
| <b>CLUTCH PLATES</b>                 |                                       |                            |     |       |               |                 |
| n/i                                  | Friction .063" 6.096" od 32T          | intermediate clutch (B-2)  | 4/6 | 88-89 | 095-323-465-D | <b>93105</b>    |
| n/i                                  | Steel .079" 5.361" id 3T              | intermediate clutch (B-2)  | 5/7 | 88-89 | 097-323-463-A | <b>93106</b>    |
| n/i                                  | Friction .063" 4.800" od 24T          | reverse clutch (K-2)       | 4/5 | 88-89 | 095-323-241-A | <b>93101</b>    |
| n/i                                  | Steel .079" 4.095" id 32T             | reverse clutch (K-2)       | 4/5 | 88-89 | 109701        | <b>93104</b>    |
| n/i                                  | Friction .063" 4.800" od 24T          | forward clutch (K-1)       | 4/5 | 88-89 | 095-323-241-A | <b>93101</b>    |
| n/i                                  | Steel .079" 4.095" id 32T             | forward clutch (K-1)       | 4/5 | 88-89 | 109701        | <b>93104</b>    |
| n/i                                  | Friction .063" 3.771" od 22T          | 3/4 clutch (K-3)           | 4/6 | 88-89 | 095-323-941-A | <b>93107</b>    |
| n/i                                  | Steel .079" 2.835" id 26T             | 3/4 clutch (K-3)           | 3/5 | 88-89 | 109707        | <b>93108</b>    |
| n/i                                  | Friction .063" 5.743" od 50T (smooth) | low/reverse clutch (B-1)   | 4/6 | 88-89 | 095-323-231-A | <b>93103</b>    |
| n/i                                  | Steel .079" 5.078" id12T              | low/reverse clutch (B-1)   | 6   | 88-89 | 095-323-227   | <b>93110</b>    |
| <b>FILTERS</b>                       |                                       |                            |     |       |               |                 |
| K9                                   | Kit, filter                           | AR4                        | 1   | 88-89 | AE            | <b>FK96800</b>  |
| D15                                  | Filter                                | AR4                        | 1   | 88-89 | J1467103      | <b>96800</b>    |
| <b>BONDED PISTONS</b>                |                                       |                            |     |       |               |                 |
| n/i                                  | Kit, molded rubber piston             | 5 pieces                   | 1   | 88-89 | AE            | <b>K96500</b>   |
| n/i                                  | Piston, bonded rubber                 | low/reverse clutch (B1)    | 1   | 88-89 | 095-323-479   | <b>93509</b>    |
| n/i                                  | Piston, bonded rubber                 | 4th clutch (K3)            | 1   | 88-89 | 77-00-736-631 | <b>96533</b>    |
| n/i                                  | Piston, bonded rubber                 | direct/reverse clutch (K2) | 1   | 88-89 | 095-323-121E  | <b>93504</b>    |
| n/i                                  | Piston, bonded rubber                 | forward clutch (K1)        | 1   | 88-89 | 77-00-859-986 | <b>96531</b>    |
| n/i                                  | Piston, bonded rubber                 | 2-4 clutch (B2)            | 1   | 88-89 | 095-323-927B  | <b>96530</b>    |
| <b>NOTES</b>                         |                                       |                            |     |       |               |                 |
|                                      |                                       |                            |     |       |               |                 |
|                                      |                                       |                            |     |       |               |                 |
|                                      |                                       |                            |     |       |               |                 |
|                                      |                                       |                            |     |       |               |                 |
|                                      |                                       |                            |     |       |               |                 |
|                                      |                                       |                            |     |       |               |                 |
|                                      |                                       |                            |     |       |               |                 |
|                                      |                                       |                            |     |       |               |                 |
|                                      |                                       |                            |     |       |               |                 |
|                                      |                                       |                            |     |       |               |                 |
|                                      |                                       |                            |     |       |               |                 |
|                                      |                                       |                            |     |       |               |                 |
|                                      |                                       |                            |     |       |               |                 |
|                                      |                                       |                            |     |       |               |                 |
|                                      |                                       |                            |     |       |               |                 |
|                                      |                                       |                            |     |       |               |                 |
|                                      |                                       |                            |     |       |               |                 |

AR-4





4EAT-F  
85000

| ILL                                  | DESCRIPTION   | QTY | YEAR  | REFERENCE #   | PART #    |
|--------------------------------------|---|-----|-------|---------------|-----------|
| <b>TECHNICAL MANUALS</b>             |   |     |       |               |           |
| K53                                  | Tech manual 4EAT-F/F4A-EL dis/assembly diagnosis/troubleshooting          | 1   | 90-05 | 83-F4EATTM    | 010-212   |
| <b>REBUILDER KITS</b>                |   |     |       |               |           |
| K4                                   | Master deluxe rebuild kit 4EAT-F  | 1   | 90-03 | AE            | K8500-R   |
| K4                                   | Master deluxe rebuild kit KIA F4A-EL/4EAT-F                               | 1   | 03-05 | AE            | K8500B-R  |
| K5                                   | Master kit w/steels 4EAT-F  | 1   | 90-03 | AE            | K8500     |
| K5                                   | Master kit w/steels KIA F4A-EL/4EAT-F                                     | 1   | 03-05 | AE            | K8500B    |
| K6                                   | Master kit w/o steels 4EAT-F  | 1   | 90-03 | AE            | K8500-LS  |
| K6                                   | Master kit w/o steels KIA F4A-EL/4EAT-F                                   | 1   | 03-05 | AE            | K8500B-LS |
| K7                                   | O/H gasket set w/seals-rings 4EAT-F                                       | 1   | 90-05 | AE            | K85900    |
| <b>VALVE BODY KITS</b>               |   |     |       |               |           |
| K15                                  | Shift Kit® 4EAT-F   | 1   | 90-05 | SK® F4AEL     | K85908    |
| K15                                  | Valve body calibration system 4EAT-F fixes lock-up/2-3/forward/reverse    | 1   | 90-05 | F4A-CPR       | G85908    |
| K15                                  | Pump valve kit 4EAT-F   | 1   | 90-05 | F4A-valve     | K85976    |
| <b>GASKETS AND RUBBER COMPONENTS</b> |   |     |       |               |           |
| G1                                   | Gasket, oil pan 4EAT-F (neoprene/cork)                                    | 1   | 90-05 | F1CZ-7A191-A  | 13010X    |
| G1                                   | Gasket, oil pan 4EAT-F (Duraprene®)                                       | 1   | 90-05 | F1CZ-7A191-A  | 13010D    |
| A3                                   | Gasket 4EAT-F (pump to case)  | 1   | 90-05 | FU60-19-705B  | 13011     |
| G6                                   | O'ring 4EAT-F (filter)  | 1   | 90-05 | F1CZ-7A469-A  | 13014     |
| n/i                                  | Kit, gaskets valve body Mazda 4EAT-F                                      | 1   | 90-96 | n/a           | 13012     |
| n/i                                  | Kit, gaskets valve body Mazda 4EAT-F                                      | 1   | 97-99 | n/a           | 13013     |
| n/i                                  | Kit, accumulator D'ring 4EAT-F  | 1   | 90-05 | n/a           | K85900-3  |
| <b>METAL CLAD SEALS</b>              |   |     |       |               |           |
| F24                                  | Seal, metal clad 4EAT-F (front)   | 1   | 90-05 | E92Z-7F401-A  | 76200     |
| F27                                  | Seal, metal clad 4EAT-F (axle right/left)                                 | 2   | 90-05 | E8GZ-1177-D   | 63201     |
| n/i                                  | Seal, metal clad 16x7x6mm 4EAT-F (speedo)                                 | 1   | 90-05 | 9958-60-8166  | 50207     |
| <b>SEALING RINGS</b>                 |   |     |       |               |           |
| K10                                  | Kit, sealing ring (teflon) 4EAT-F   | 1   | 90-05 | AE            | K85903    |
| A29                                  | Ring, sealing (metal) 4EAT-F (pump stator)                                | 4   | 90-05 | F1CZ-7D019-A  | 85300     |
| B30                                  | Ring, sealing (teflon) 4EAT-F (coast clutch)                              | 2   | 90-05 | F1CZ-7A-294-A | 85301     |
| F31                                  | Ring, sealing (metal) 4EAT-F (output gear)                                | 2   | 90-05 | F1CZ-7G092-A  | 85302     |
| G32                                  | Ring, sealing (teflon) 4EAT-F (turbine shaft)                             | 1   | 90-05 | E92Z-7G090-A  | 76304T    |
| <b>CLUTCH PLATES</b>                 |   |     |       |               |           |
| B40                                  | Friction .063" 4.975" od 42T forward clutch                               | 3   | 90-03 | F1CZ-7B164-A  | 85101     |
| B40                                  | Friction .075" 4.975" od 47T KIA (forward clutch)                         | 3   | 03-05 | 45449-2Z610   | 85101B    |
| B41                                  | Steel .063" 4.355" id 32T forward clutch                                  | 3   | 90-05 | F1CZ-7B442-A  | 85111     |
| B41                                  | Kit, forward drum saver 4EAT-F  | 1   | 90-05 | 81755         | K85111    |
| B42                                  | Friction .063" 4.533" od 16T coast clutch (3rd)                           | 2   | 90-05 | F1CZ-7B164-B  | 85102     |
| B43                                  | Steel .063" 3.865" id 26T coast clutch (3rd)                              | 2   | 90-05 | F1CZ-7B442-B  | 85112     |
| A44                                  | Friction .063" 6.895" od 45T reverse clutch                               | 2   | 90-05 | F1CZ-7B164-A  | 85103     |
| A45                                  | Steel .063" 6.325" id 32T reverse clutch                                  | 2   | 90-05 | F1CZ-7B442-C  | 85113     |
| E46                                  | Friction .063" 4.330" od 22T overdrive 3-4 clutch                         | 4   | 90-05 | F1CZ-7B164-D  | 85104     |
| E47                                  | Steel .063" 3.675" id 38T (not in kits) overdrive 3-4 clutch (1st design) | 4   | 90-91 | F1CZ-7B442-D  | 85114     |
| E47                                  | Steel .071" 3.675" id 38T (not in kits) overdrive 3-4 clutch (2nd design) | 4   | 90-91 | F1CZ-7B442-D  | 85116     |
| E47                                  | Steel .130" 3.675" id 38T overdrive 3-4 clutch (MX3 and D.O.H.C.)         | 3   | 94-99 | FW30-19-334   | 85119     |
| E47                                  | Steel .091" 3.675" id 38T overdrive 3-4 clutch                            | 4   | 90-05 | F1CZ-7B442-F  | 85117     |
| D48                                  | Friction .063" 7.075" od 48T low/reverse clutch                           | 4   | 90-05 | F1CZ-7B164-E  | 85105     |
| D49                                  | Steel .063" 6.540" id 16T low/reverse clutch                              | 4   | 90-05 | F1CZ-7B442-E  | 85115     |
| n/i                                  | Steel, dished 4EAT-F (forward clutch)(cushion)                            | 1   | 90-05 | F1CZ-7B070-A  | 85107-R   |
| n/i                                  | Steel, dished 4EAT-F (coast clutch)(cushion)                              | 1   | 90-05 | F1CZ-7B070-B  | 85107A-R  |
| n/i                                  | Steel, dished 4EAT-F (reverse clutch)(cushion)                            | 1   | 90-05 | F1CZ-7B070-C  | 85107B-R  |
| <b>PRESSURE PLATES</b>               |   |     |       |               |           |
| B52                                  | Pressure plate .180" 4.5mm 32T forward clutch                             | 1   | 90-05 | F1CZ-7B066-A  | 85711-R   |
| B53                                  | Pressure plate .135" 3.6mm 26T coast clutch                               | 1   | 90-05 | F1CZ-7B066-B  | 85712-R   |

# 4EAT-F•F4A-EL•IF4E-F4E-111

4EAT-F•F4A-EL•IF4E-F4E-111

| ILL                                 | DESCRIPTION  | QTY | YEAR  | REFERENCE #   | PART #   |
|-------------------------------------|--|-----|-------|---------------|----------|
| <b>PRESSURE PLATES (CONTINUED)</b>  |  |     |       |               |          |
| A54                                 | Pressure plate .230" 5.8mm 32T reverse clutch                    | 1   | 90-05 | F1CZ-7B066-C  | 85713-R  |
| E55                                 | Pressure plate .135" 3.6mm 38T 3-4 clutch                        | 1   | 94-05 | F1CZ-7B066-D  | 85714-R  |
| E55                                 | Pressure plate .180" 4.5mm 38T 3-4 clutch (use w/.130" steels)   | 1   | 90-05 | F7CZ-7B066-AA | 85719-R  |
| D56                                 | Pressure plate .210" 5.6mm 16T low/reverse clutch                | 1   | 90-05 | F1CZ-7B066-E  | 85715-R  |
| <b>FILTERS</b>                      |  |     |       |               |          |
| K9                                  | Kit, filter 4EAT-F (neoprene/cork)                               | 1   | 90-03 | AE            | FK85710  |
| K9                                  | Kit, filter 4EAT-F (Duraprene®)                                  | 1   | 90-03 | AE            | DK85710  |
| K9                                  | Kit, filter 4EAT-F (neoprene/cork)                               | 1   | 93-05 | AE            | FK85710A |
| K9                                  | Kit, filter 4EAT-F (Duraprene®)                                  | 1   | 93-05 | AE            | DK85710A |
| G58                                 | Filter 4EAT-F  | 1   | 90-03 | 1CZ-7A098-A   | 85710    |
| G58                                 | Filter (w/tube) 4EAT-F   | 1   | 93-05 | n/a           | 85710A   |
| <b>BANDS</b>                        |  |     |       |               |          |
| C59                                 | Band, flex 4EAT-F (2-4)  | 1   | 90-05 | F1CZ-7D134-A  | 85700    |
| <b>BUSHINGS</b>                     |  |     |       |               |          |
| K13                                 | Kit, bushing 4EAT-F  | 1   | 90-05 | AE            | K85901   |
| A61                                 | Bushing 4EAT-F (pump cover)(inner small)                         | 1   | 90-05 | n/a           | 85001    |
| A62                                 | Bushing 4EAT-F (pump cover)(outer large)                         | 1   | 90-05 | n/a           | 85002    |
| C63                                 | Bushing 4EAT-F (sun gear drum)                                   | 1   | 90-05 | n/a           | 85003    |
| C64                                 | Bushing 4EAT-F (sun gear)  | 2   | 90-05 | n/a           | 85004    |
| F65                                 | Bushing 4EAT-F (stator front)                                    | 1   | 90-05 | n/a           | 85005    |
| F66                                 | Bushing 4EAT-F (stator rear)                                     | 1   | 90-05 | n/a           | 85006    |
| G67                                 | Bushing 4EAT-F (turbine shaft inner)                             | 1   | 90-05 | n/a           | 85007    |
| G68                                 | Bushing (teflon) 4EAT-F (turbine shaft outer splined)            | 1   | 90-05 | n/a           | 85008    |
| n/i                                 | Bushing 4EAT-F (pump gear inner)                                 | 1   | 90-05 | n/a           | 85009    |
| n/i                                 | Bushing 2.086" id 4EAT-F (converter hub)                         | 1   | 90-05 | n/a           | 76002    |
| <b>WASHERS/BEARINGS/RACES/SHIMS</b> |  |     |       |               |          |
| A72                                 | Thrust washer 1.2mm .047" 4EAT-F (pump cover to reverse housing) | sel | 90-05 | E92Z-7D014-E  | 85400    |
| A72                                 | Thrust washer 1.4mm .055" 4EAT-F (pump cover to reverse housing) | sel | 90-05 | E92Z-7D014-F  | 85400A   |
| A72                                 | Thrust washer 1.6mm .063" 4EAT-F (pump cover to reverse housing) | sel | 90-05 | E92Z-7D014-A  | 85400B   |
| A72                                 | Thrust washer 1.8mm .071" 4EAT-F (pump cover to reverse housing) | sel | 90-05 | E92Z-7D014-B  | 85400C   |
| A72                                 | Thrust washer 2.0mm .078" 4EAT-F (pump cover to reverse housing) | sel | 90-05 | E92Z-7D014-C  | 85400D   |
| A72                                 | Thrust washer 2.2mm .087" 4EAT-F (pump cover to reverse housing) | sel | 90-05 | E92Z-7D014-D  | 85400E   |
| <b>PUMP PARTS AND PUMPS</b>         |  |     |       |               |          |
| A85                                 | Pump assembly 4EAT-F rotor type (exchange)                       | 1   | 90-05 | AE            | 85200-R  |
| <b>HARD PARTS</b>                   |  |     |       |               |          |
| E88                                 | Spring, diaphragm 4EAT-F (reverse)                               | 1   | 90-05 | FU60-19-551E  | 85745-R  |
| D109                                | Drum, sun gear 4EAT-F  | 1   | 90-05 | F1CZ-7A626-A  | 85728-R  |
| D110                                | Planetary (carrier) with raised flange (rear)                    | 1   | 90-05 | FU60-19-380   | 85730-R  |
| D110                                | Planetary (carrier) 4EAT-F (flat style)(rear)                    | 1   | 93-05 | FU60-19-380A  | 85730A-R |
| E121                                | Housing, 3rd and 4th clutch 4EAT-F                               | 1   | 90-99 | FU60-19-340B  | 85749-R  |
| E121                                | Housing, 3rd and 4th clutch smooth                               | 1   | 99-05 | F8EZ-7F283-AA | 85749A-R |
| F139                                | Bearing, tapered (cone) 4EAT-F (differential carrier)            | 2   | 90-05 | n/a           | 48767    |
| F140                                | Bearing, tapered (cup) 4EAT-F (differential carrier)             | 2   | 90-05 | n/a           | 48768    |
| n/i                                 | Retainer, front seal 4EAT-F                                      | 1   | 90-05 | n/a           | 85991    |
| <b>ELECTRICAL COMPONENTS</b>        |  |     |       |               |          |
| n/i                                 | Solenoid 4EAT-F (2-3/3-4 shift)                                  | 2   | 90-05 | FU61-21-280D  | 5A-192   |
| n/i                                 | Solenoid 4EAT (1-2 shift)  | 1   | 90-05 | FU61-21-258B  | 5A-193   |
| n/i                                 | Solenoid 4EAT (lock-up/TCC)                                      | 1   | 90-05 | FU61-21-286B  | 5A-194   |
| n/i                                 | Solenoid, set w/harness 4EAT (w/o EPC solenoid)                  | 1   | 90-05 | 52-0231       | 5A-182   |
| n/i                                 | Solenoid Mazda/Ford 4EAT (elect press control EPC)               | 1   | 97-05 | 52-0341       | 5A-225   |
| <b>SPRAGS</b>                       |  |     |       |               |          |
| C90                                 | Sprag low/reverse  | 1   | 90-05 | FU60-19-4G0B  | 85503    |
| C91                                 | Sprag forward  | 1   | 90-05 | FU60-19-630   | 85502    |



# NEW FROM TRANSGO®

## SK® AWF21

### Reduces/Corrects/Prevents

Rough shifts, Bump-Bump downshifts above 30 mph hot, Part throttle downshift bang, Flares during up-shifts & kick-down, Rough coast downshifts. No pressure rise, TCC slip/shudder. Poor shift quality.

**Fits:** 05-06 Ford Fusion & 500, 05-06 Mazda 6  
06 Lincoln Zephyr, 06 Mercury Milan,  
05-06 Mercury Montego



## 5R110W-HD2 Reprogramming Kit™

### Reduces/Corrects/Prevents

Case Lugs Blow Out-Runaway Reverse Pressure Slips or No Reverse-Neutrals at stop sign. Adds capacity for upgrade engine HP & Towing.

### Fits:

Ford Trucks  
From 2003-2007.  
Does Not Fit 2008-2009.



## U151-23-SR

### Reduces/Corrects/Prevents

Your fixing Shuttle or Bind-up 2-3 Shift: Caused by the Direct Clutch Control Valve sticking or binding in the bore.

### Fits:

Toyota 5spd: Avalon 06-07, Camry 3.0 & 3.3L 04-06  
Highlander 3.3 & 3.5L 04-08, Rav-4 3.5L 07-08  
Sienna 3.3 & 3.5L 04-08, Solara 3.3L 04-07  
Lexus 5spd: ES330 3.3L 04-06, RX330 3.3L 04-06, RX350 3.5L 07-08

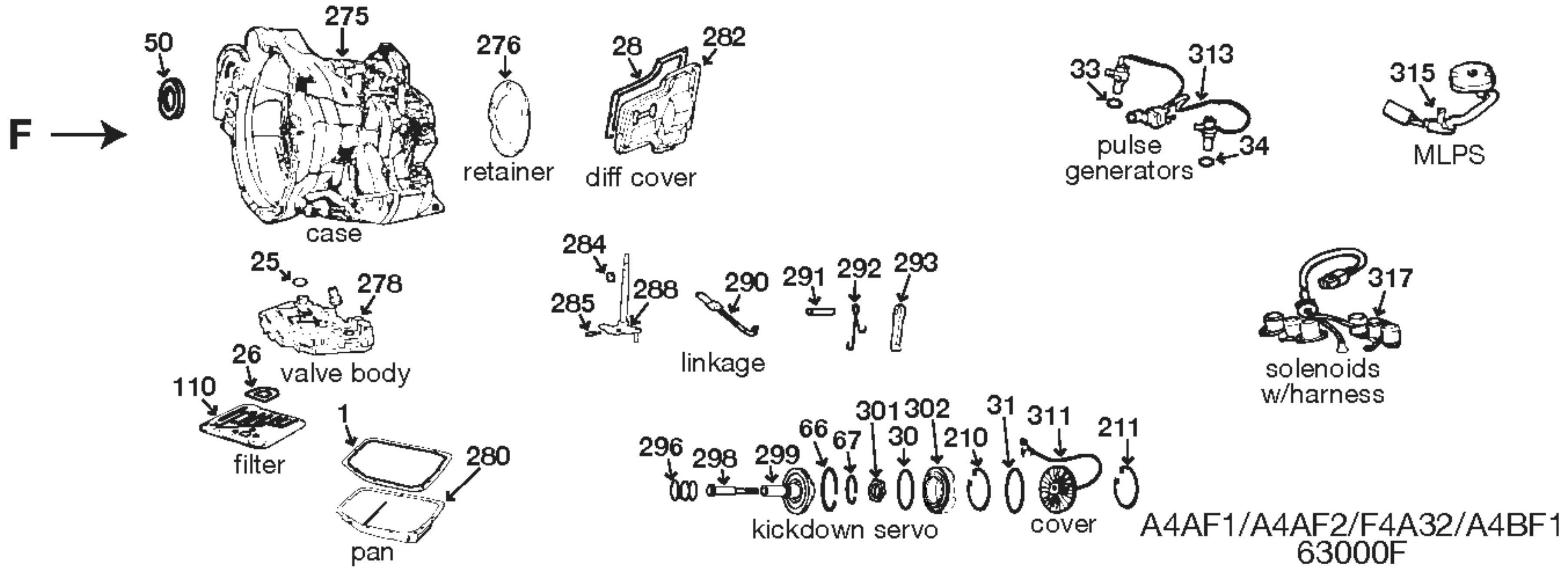
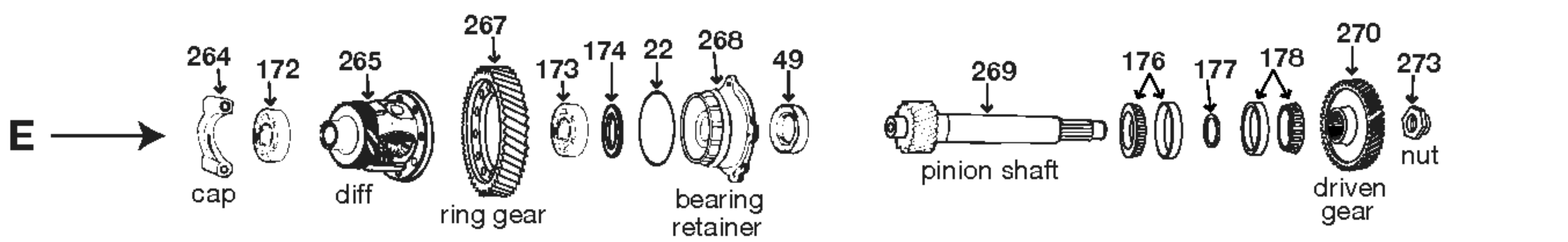
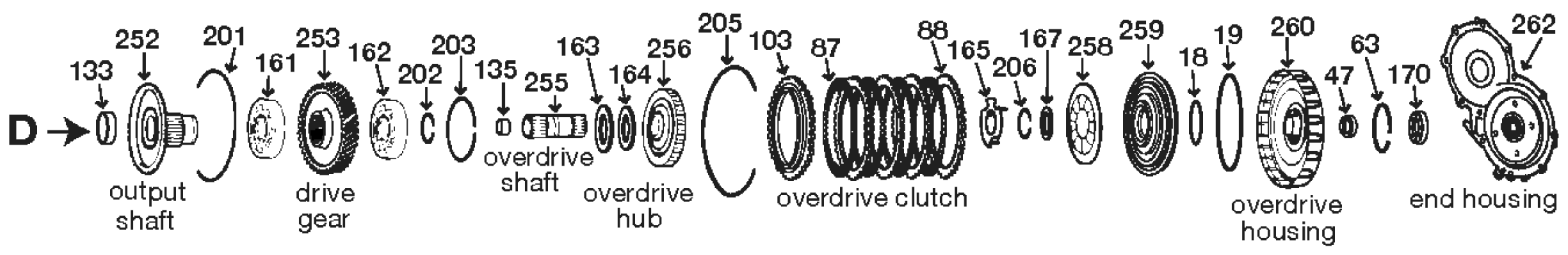
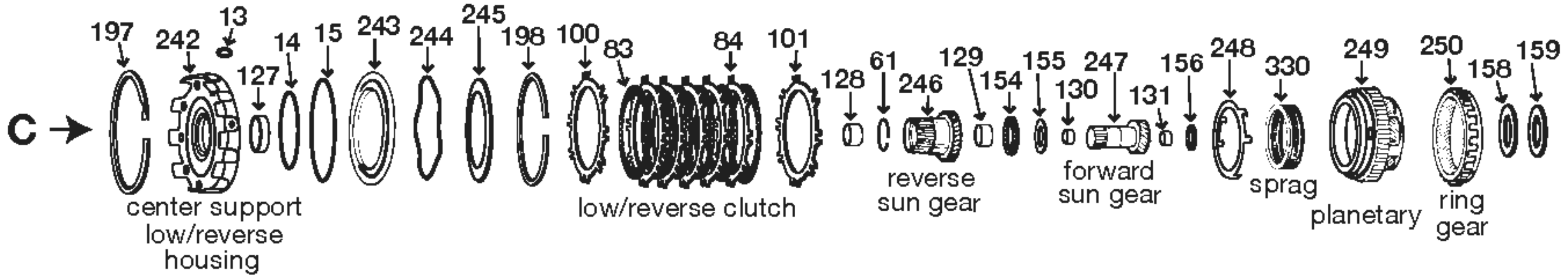
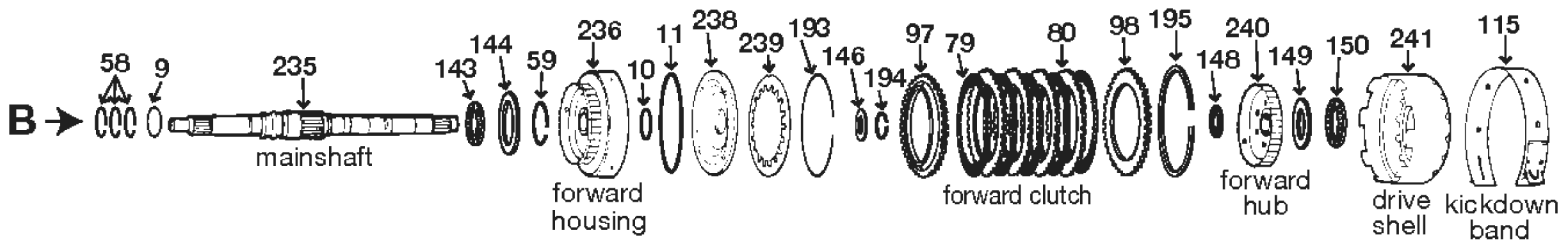
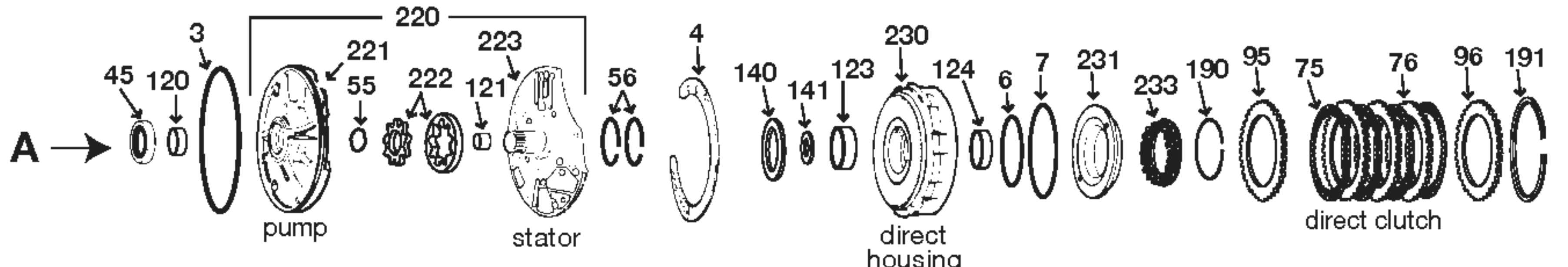
It just ain't FIXED without it!



**Product Support**  
**626-443-7451**







A4AF1/A4AF2/F4A32/A4BF1 63000F

| ILL                                  | DESCRIPTION  | QTY | YEAR  | REFERENCE #   | PART #    |
|--------------------------------------|--|-----|-------|---------------|-----------|
| <b>TECHNICAL MANUALS</b>             |  |     |       |               |           |
| K53                                  | Tech manual-covers A4A1-A4BF3 diagnosis & troubleshooting            | 1   | 93-99 | n/a           | 010-485   |
| <b>REBUILDER KITS</b>                |  |     |       |               |           |
| K4                                   | Master deluxe rebuild kit A4AF1/2/A4BF1/2                            | 1   | 93-99 | AE            | K6300F-R  |
| K5                                   | Master kit w/steels A4AF1/2/A4BF1/2                                  | 1   | 93-99 | AE            | K6300F    |
| K6                                   | Master kit w/o steels A4AF1/2/A4BF1/2                                | 1   | 93-99 | AE            | K6300F-LS |
| K7                                   | O/H gasket set w/seals-rings A4AF1/2/A4BF1/2 (Scoupe uses no VB gsk) | 1   | 93-99 | AE            | K63900F   |
| <b>VALVE BODY KITS</b>               |  |     |       |               |           |
| K15                                  | Shift Kit® w/4 solenoids   | 1   | 93-99 | SK® KM-175/77 | K63908    |
| K15                                  | Valve Body Calibration System w/4 solenoids                          | 1   | 93-99 | TL-175        | G63908    |
| K15                                  | Valve Body Calibration System w/6 solenoids                          | 1   | 93-99 | TL-175-6      | G63908F   |
| <b>GASKETS AND RUBBER COMPONENTS</b> |  |     |       |               |           |
| F1                                   | Gasket, oil pan A4AF1/2 (neoprene/cork)                              | 1   | 93-99 | 45285-22010   | 13140X    |
| F1                                   | Gasket, oil pan A4AF1/2 (Duraprene®)                                 | 1   | 93-99 | 45285-22010   | 13140D    |
| A3                                   | O'ring pump body   | 1   | 93-99 | 46158-39001   | 23874     |
| A4                                   | Gasket pump to case  | 1   | 93-99 | 46156-22040   | 23077     |
| C13                                  | Seal low/reverse housing to case                                     | 2   | 93-99 | 45642-36001   | 23011     |
| F28                                  | Gasket, differential cover A4AF1                                     | 1   | 93-95 | 45335-22010   | 23111     |
| F28                                  | Gasket, differential cover A4AF2                                     | 1   | 95-96 | 45335-22512   | 23112     |
| F28                                  | Gasket, differential cover A4BF1/3                                   | 1   | 96-99 | 45335-28012   | 23114     |
| n/i                                  | D'ring kickdown servo large (replaces teflon)                        | 1   | 93-99 | 45612-37001   | 23109     |
| n/i                                  | Washers pump bolts   | 6   | 93-99 | MD707653      | 23108     |
| n/i                                  | O'ring stator shaft to pump cover                                    | 1   | 93-99 | n/a           | 23876     |
| <b>METAL CLAD SEALS</b>              |  |     |       |               |           |
| A45                                  | Seal, metal clad front   | 1   | 93-99 | 46131-36002   | 63200     |
| E49                                  | Seal, metal clad left axle   | 1   | 93-99 | 43119-28000   | 63201     |
| F50                                  | Seal, metal clad right axle  | 1   | 93-99 | 43119-28000   | 63201     |
| D47                                  | Seal, metal clad .650" id end clutch                                 | 1   | 93-99 | MD722531      | 63203     |
| D47                                  | Seal, metal clad .500" id end clutch                                 | 1   | 93-99 | MD736847      | 63203A    |
| n/i                                  | Seal, metal clad speedo  | 1   | 93-99 | MD729745      | 63202     |
| n/i                                  | Seal end clutch feed   | 2   | 96-99 | 46711-28000   | 23008     |
| <b>SEALING RINGS</b>                 |  |     |       |               |           |
| K10                                  | Kit, sealing ring A4BF-1/F4A32                                       | 1   | 93-10 | AE            | K63300    |
| A55                                  | Seal, (teflon) oil pump gear   | 1   | 96-99 | 46132-36002   | 63204     |
| A56                                  | Ring, sealing (metal) 55mm pump stator                               | 2   | 93-10 | MD707646      | 63300     |
| A56                                  | Ring, sealing (teflon) 55mm pump stator                              | 2   | 93-10 | MD713991      | 63300T    |
| B58                                  | Ring, sealing (metal) 26mm input shaft                               | 3   | 93-10 | MD720750      | 63313     |
| B58                                  | Ring, sealing (teflon) 26mm input shaft                              | 3   | 93-10 | MD722551      | 63313T    |
| B59                                  | Ring, sealing (metal) 35mm forward housing                           | 1   | 93-10 | MD722636      | 63312     |
| B59                                  | Ring, sealing (teflon) 35mm forward housing                          | 1   | 93-10 | MD722639      | 63312T    |
| C61                                  | Ring, sealing (teflon) 40mm reverse sun gear                         | 1   | 93-10 | MD722278      | 63315T    |
| D63                                  | Ring, sealing (metal) 50mm overdrive housing                         | 1   | 93-10 | MD711875      | 63314     |
| F66                                  | Ring, sealing (teflon) 78mm kickdown servo (large)                   | 1   | 93-10 | MD727999      | 63310T    |
| F66                                  | Ring, sealing (teflon) 82mm kickdown servo (large)                   | 1   | 93-10 | MD722769      | 63316T    |
| F67                                  | Ring, sealing (teflon) 53mm kickdown servo (small)                   | 1   | 93-10 | MD716881      | 63307T    |
| F67                                  | Ring, sealing (teflon) 49.5mm kickdown servo (small)                 | 1   | 93-10 | MD715047      | 63308T    |
| <b>CLUTCH PLATES</b>                 |  |     |       |               |           |
| A75                                  | Friction .075" 4.996" od 38T direct clutch                           | 2/3 | 93-99 | 45473-36061   | 63750A    |
| A76                                  | Steel .146" 4.117" id 24T direct clutch                              | 2/3 | 93-99 | 45475-36000   | 63759     |
| B79                                  | Friction .075" 4.996" od 38T forward clutch                          | 2/3 | 93-99 | 45473-36061   | 63750A    |
| B80                                  | Steel .071" 4.117" id 24T forward clutch                             | 1/2 | 93-99 | 45451-36000   | 63751B    |
| B80                                  | Steel .087" 4.117" id 24T (not in kit) Elantra (forward clutch)      | 5   | 96-99 | 45451-28000   | 63751E    |
| C83                                  | Friction .071" 5.997" od 51T low/reverse clutch                      | 6   | 93-99 | 45621-36061   | 63760B    |
| C84                                  | Steel .039" 5.284" id 20T low/reverse clutch                         | 5   | 93-99 | 45622-36000   | 63752E    |

# A4AF1•A4AF2•A4BF1•F4A32

A4AF1•A4AF2•A4BF1•F4A32

| ILL                                 | DESCRIPTION                            |                                      | QTY | YEAR  | REFERENCE # | PART #   |
|-------------------------------------|--|--------------------------------------|-----|-------|-------------|----------|
| <b>CLUTCH PLATES (CONTINUED)</b>    |  |                                      |     |       |             |          |
| D87                                 | Friction .072" 4.839" od 40T           | overdrive clutch                     | 4   | 93-99 | 45560-37060 | 63755    |
| D88                                 | Steel .032" 4.162" id 25T              | overdrive clutch                     | 4   | 93-99 | 45561-37001 | 63757    |
| D88                                 | Steel .098" 3.773" id 25T (not in kit) | Elantra (overdrive clutch)           | 4   | 99-99 | 45561-28801 | 63761    |
| D88                                 | Steel .039" 4.162" id 25T              | overdrive clutch                     | 3   | 93-99 | 45561-37001 | 63761B   |
| <b>PRESSURE PLATES</b>              |  |                                      |     |       |             |          |
| A96                                 | Pressure plate 3.81mm .150" 24T        | direct clutch (stamped R)            | 1   | 93-99 | 45453-36000 | 63751C   |
| B78                                 | Pressure plate 5.08mm .200" (beveled)  | forward clutch                       | 1   | 93-99 | AE          | 63754A-R |
| B98                                 | Pressure plate 3.81mm .150" 24T        | forward clutch (stamped R)           | 1   | 93-99 | 45453-36000 | 63751C   |
| C100                                | Pressure plate (beveled)               | low/reverse clutch                   | 1   | 93-99 | AE          | 63753C-R |
| C101                                | Pressure plate 20T                     | low/reverse clutch                   | 1   | 93-99 | AE          | 63756B-R |
| D103                                | Pressure plate 4.137" id 25T           | overdrive clutch                     | 1   | 93-99 | AE          | 63729-R  |
| D103                                | Pressure plate 3.794" id               | overdrive clutch                     | 1   | 99-99 | AE          | 63729A-R |
| <b>FILTERS</b>                      |  |                                      |     |       |             |          |
| K9                                  | Kit, fliter                            | A4AF1/A4AF2 (neoprene/cork)          | 1   | 93-99 | AE          | FK63800E |
| K9                                  | Kit, fliter                            | A4BF1 (Duraprene®)                   | 1   | 96-99 | AE          | DK63800F |
| F110                                | Filter                                 | A4AF1/A4AF2                          | 1   | 93-99 | 46321-22050 | 63800E   |
| n/i                                 | Screen, filter                         | valve body                           | 1   | 93-10 | 46366-37000 | 63711    |
| <b>BANDS</b>                        |  |                                      |     |       |             |          |
| B115                                | Band, flex 1.550" (narrow)             | kickdown                             | 1   | 93-98 | 45660-36010 | 63700    |
| B115                                | Band, flex 1.750" (wide)               | kickdown                             | 1   | 96-99 | 45660-37010 | 63700A   |
| <b>BUSHINGS</b>                     |  |                                      |     |       |             |          |
| K13                                 | Kit, bushing                           | A4BF-1/F4A32                         | 1   | 93-99 | AE          | K63901B  |
| K13                                 | Kit, bushing                           | sun gears                            | 1   | 93-99 | AE          | K63902   |
| A120                                | Bushing                                | pump body                            | 1   | 93-10 | n/a         | 63001    |
| A121                                | Bushing                                | pump stator (front)                  | 1   | 93-99 | n/a         | 63000    |
| A123                                | Bushing                                | direct clutch housing (front)        | 1   | 93-99 | MD707283    | 63002    |
| A124                                | Bushing                                | direct clutch housing (rear)         | 1   | 93-99 | n/a         | 63007    |
| C127                                | Bushing 1.580" id                      | reverse housing                      | 1   | 95-11 | MD73163R    | 63009    |
| C128                                | Bushing                                | reverse sun gear (front)             | 1   | 93-99 | MD707463    | 63005    |
| C129                                | Bushing                                | reverse sun gear (rear)              | 1   | 93-99 | MD707463    | 63005    |
| C130                                | Bushing                                | forward sun gear (front)             | 1   | 93-99 | MD712766    | 63006    |
| C131                                | Bushing                                | forward sun gear (rear)              | 1   | 93-99 | MD712766    | 63006    |
| D133                                | Bushing                                | output shaft                         | 1   | 93-99 | n/a         | 63011    |
| D135                                | Bushing                                | overdrive shaft                      | 1   | 93-99 | n/a         | 63013    |
| <b>WASHERS/BEARINGS/RACES/SHIMS</b> |  |                                      |     |       |             |          |
| A140                                | Washer, thrust .072" (fiber)           | direct housing to stator             | sel | 93-99 | MD707901    | 63400    |
| A140                                | Washer, thrust .084" (fiber)           | direct housing to stator             | sel | 93-99 | MD707902    | 63400A   |
| A140                                | Washer, thrust .101" (fiber)           | direct housing to stator             | sel | 93-99 | MD707903    | 63400B   |
| A141                                | Race, thrust                           | forward housing to stator            | sel | 93-99 | n/a         | 63435    |
| B143                                | Bearing, thrust                        | forward housing to stator            | 1   | 93-99 | n/a         | 63437    |
| B144                                | Washer, thrust (fiber)                 | direct housing to forward housing    | 1   | 93-99 | n/a         | 63436    |
| B146                                | Race, thrust                           | forward housing to hub               | 1   | 93-99 | n/a         | 63438    |
| B148                                | Bearing, thrust                        | forward housing to hub               | 1   | 93-99 | n/a         | 63439    |
| B149                                | Race, thrust                           | forward housing to drive shell       | 1   | 93-99 | n/a         | 63440    |
| B150                                | Bearing, thrust                        | forward housing to drive shell       | 1   | 93-99 | n/a         | 63441    |
| C154                                | Bearing, thrust                        | reverse sun gear to forward sun gear | 1   | 93-99 | n/a         | 63442    |
| C155                                | Race, thrust                           | reverse sun gear to forward sun gear | 1   | 93-99 | n/a         | 63443    |
| C156                                | Bearing, thrust (in planetary)         | forward sun gear to planetary        | 1   | 93-99 | n/a         | 63444    |
| C158                                | Race, thrust                           | planetary to output shaft            | 1   | 93-99 | n/a         | 63445    |
| C159                                | Bearing, thrust                        | planetary to output shaft            | 1   | 93-99 | n/a         | 63441    |
| C161                                | Bearing, ball (small)                  | output shaft to drive gear           | 1   | 93-99 | n/a         | 63449    |
| C161                                | Bearing, ball (large)                  | output shaft to drive gear           | 1   | 93-99 | n/a         | 63450    |
| C162                                | Bearing, ball (small)                  | drive gear to case                   | 1   | 93-99 | n/a         | 63449    |

| ILL   | DESCRIPTION  | QTY | YEAR  | REFERENCE # | PART #    |
|---|--|-----|-------|-------------|-----------|
| <b>WASHERS/BEARINGS/RACES/SHIMS (CONTINUED)</b> |  |     |       |             |           |
| C162  | Bearing, ball (large) drive gear to case                               | 1   | 93-99 | n/a         | 63450     |
| D163  | Race, thrust A4BF1/3 (overdrive clutch hub)                            | 1   | 93-99 | n/a         | 63418     |
| D164  | Race, bearing A4BF1/3 (overdrive clutch hub)                           | 1   | 96-99 | 45525-22800 | 63419     |
| D165  | Washer, thrust (4-tabs) overdrive hub to overdrive housing             | 1   | 93-99 | n/a         | 63447     |
| D170  | Bearing, ball overdrive housing to end housing                         | 1   | 93-99 | n/a         | 63434     |
| E172  | Bearing, ball differential (right side)                                | 1   | 93-99 | n/a         | 63448     |
| E173  | Bearing, ball differential (left side)                                 | 1   | 93-99 | n/a         | 63448     |
| E176  | Bearing, ball pinion shaft to case                                     | 1   | 93-99 | n/a         | 63451     |
| E178  | Bearing, ball driven gear to case                                      | 1   | 93-99 | n/a         | 63452     |
| <b>SNAP RINGS</b>                               |  |     |       |             |           |
| A190  | Snap ring direct clutch retainer                                       | 1   | 93-99 | AE          | 63601-R   |
| A191  | Snap ring direct clutch pressure plate                                 | 1   | 93-99 | AE          | 63602-R   |
| B193  | Snap ring forward diaphragm  | 1   | 93-99 | AE          | 63603-R   |
| B194  | Snap ring forward housing to shaft                                     | 1   | 93-99 | AE          | 63604-R   |
| B195  | Snap ring forward pressure plate                                       | 1   | 93-99 | AE          | 63605-R   |
| C197  | Snap ring reverse housing to case                                      | 1   | 93-99 | AE          | 63606-R   |
| C198  | Snap ring low/reverse clutch spring                                    | 1   | 93-99 | AE          | 63607-R   |
| C201  | Snap ring output shaft to ring gear                                    | 1   | 93-99 | AE          | 63608-R   |
| D202  | Snap ring bearing to output shaft                                      | 1   | 93-99 | AE          | 63609-R   |
| D203  | Snap ring bearing to case  | 1   | 93-99 | AE          | 63610-R   |
| D205  | Snap ring overdrive clutch pressure plate                              | 1   | 93-99 | AE          | 63611-R   |
| D206  | Snap ring overdrive clutch retainer                                    | 1   | 93-99 | AE          | 63612-R   |
| F210  | Snap ring kickdown piston to case                                      | 1   | 93-99 | AE          | 63613-R   |
| F211  | Snap ring kickdown piston cover to case                                | 1   | 93-99 | AE          | 63614-R   |
| <b>PUMP PARTS AND PUMPS</b>                     |  |     |       |             |           |
| A220  | Pump assy (from end to washer 1.625") 1 bushing surface on stator      | 1   | 93-99 | AE          | 63200F-R  |
| A220  | Pump assembly 2 bushings surface on stator                             | 1   | 93-99 | AE          | 63200FA-R |
| A221  | Body, pump w/gears (13T on inner gear) A4AF1/F4A32                     | 1   | 93-99 | AE          | 63300F-R  |
| A223  | Stator, pump (from end to washer 1.625") 1 bushing surface on stator   | 1   | 93-99 | AE          | 63400F-R  |
| A223  | Stator, pump 2 bushings surface on stator                              | 1   | 93-99 | AE          | 63400FA-R |
| <b>HARD PARTS</b>                               |  |     |       |             |           |
| A230  | Housing, direct (3-clutch) 2-bushings (1.625" oh)                      | 1   | 93-99 | AE          | 63911-R   |
| A230  | Housing, direct (2-clutch) 1-bushing (12-lugs)                         | 1   | 93-99 | AE          | 63911A-R  |
| A231  | Piston, direct clutch A4BF-1/F4A32                                     | 1   | 93-99 | AE          | 63912-R   |
| A233  | Retainer, w/12 springs 3.564" od direct clutch                         | 1   | 93-99 | AE          | 63913-R   |
| B235  | Shaft, main (3-rings .687" rear pilot) 14.500" length (uses 1-O'ring)  | 1   | 93-99 | AE          | 63916-R   |
| B236  | Housing, forward clutch w/o shaft 2-clutch                             | 1   | 93-99 | AE          | 63918-R   |
| B238  | Piston, forward clutch A4BF-1/F4A32                                    | 1   | 93-99 | AE          | 63914-R   |
| B239  | Spring, diaphragm (15 fingers 5.116" od) forward clutch                | 1   | 93-99 | AE          | 63638B-R  |
| B240  | Hub, forward clutch 38T  | 1   | 93-99 | AE          | 63922-R   |
| B241  | Shell, drive (12 lug .450" tall lug) 16 holes kickdown drum            | 1   | 93-99 | AE          | 63728D-R  |
| B241  | Shell, drive (12 lug .750" tall lug) 16 holes kickdown drum            | 1   | 93-99 | AE          | 63728E-R  |
| B241  | Shell, drive kickdown drum   | 1   | 93-99 | AE          | 63923-R   |
| C242  | Support, center (1.585" oh) (steel) low/reverse clutch housing         | 1   | 93-99 | AE          | 63925-R   |
| C242  | Support, center (1.460" oh) (steel) low/reverse clutch housing         | 1   | 93-99 | AE          | 63925A-R  |
| C243  | Piston, low reverse clutch A4BF-1/F4A32                                | 1   | 93-99 | AE          | 63926-R   |
| C244  | Spring, waved low/reverse clutch                                       | 1   | 93-99 | AE          | 63638M-R  |
| C245  | Spring, dished low/reverse clutch                                      | 1   | 93-10 | 45626-36000 | 63706-R   |
| C246  | Gear, reverse sun (34T) (1-SR/1-SR groove) 2.265" length (1 id groove) | 1   | 93-99 | AE          | 63930-R   |
| C246  | Gear, reverse sun (34T) (1-SR/1-SR groove) 2.080" length               | 1   | 93-99 | AE          | 63930A-R  |
| C247  | Gear, forward sun (29T) 3.195" length (1 id groove)                    | 1   | 93-99 | AE          | 63932-R   |
| C247  | Gear, forward sun (29T) 3.222" length (1 id groove)                    | 1   | 93-99 | AE          | 63932A-R  |
| C248  | Retainer, low/reverse sprag A4AF1/F4A32                                | 1   | 93-99 | AE          | 63933-R   |



# A4AF1•A4AF2•A4BF1•F4A32

A4AF1•A4AF2•A4BF1•F4A32

| ILL                           | DESCRIPTION                              | QTY | YEAR  | REFERENCE # | PART #   |
|-------------------------------|--|-----|-------|-------------|----------|
| <b>HARD PARTS (CONTINUED)</b> |  |     |       |             |          |
| C249                          | Planetary, w/sprag                       | 1   | 93-99 | AE          | 63935-R  |
| C249                          | Planetary, w/sprag                       | 1   | 93-99 | AE          | 63935A-R |
| C250                          | Gear, rear ring (74T)                    | 1   | 93-99 | AE          | 63937-R  |
| D252                          | Shaft, output (2.940" oh 1.062" spline)  | 1   | 93-99 | AE          | 63940-R  |
| D253                          | Gear, transfer drive (53T)               | 1   | 93-99 | AE          | 63942-R  |
| D255                          | Shaft, overdrive (27 splines)            | 1   | 93-99 | AE          | 63945-R  |
| D255                          | Shaft, overdrive (27 splines)            | 1   | 93-99 | AE          | 63945A-R |
| D256                          | Hub, overdrive clutch                    | 1   | 96-10 | 45565-22800 | 63946    |
| D256                          | Hub, overdrive clutch (3-clutch)         | 1   | 93-99 | AE          | 63946-R  |
| D256                          | Hub, overdrive clutch (4-clutch)         | 1   | 93-99 | AE          | 63946A-R |
| D258                          | Spring, diaphragm (10 fingers 3.626" od) | 1   | 93-99 | AE          | 63947-R  |
| D259                          | Piston, overdrive clutch                 | 1   | 93-99 | AE          | 63948-R  |
| D260                          | Housing, overdrive clutch (3-clutch)     | 1   | 93-99 | AE          | 63950-R  |
| D260                          | Housing, overdrive clutch (4-clutch)     | 1   | 93-99 | AE          | 63950A-R |
| D262                          | Housing, end                             | 1   | 93-99 | AE          | 63953-R  |
| E264                          | Retainer, bearing cap                    | 1   | 93-99 | AE          | 63955-R  |
| E265                          | Differential, w/spider gears             | 1   | 93-99 | AE          | 63960-R  |
| E267                          | Gear, final drive ring                   | 1   | 93-99 | AE          | 63962-R  |
| E268                          | Retainer, differential                   | 1   | 93-99 | AE          | 63965-R  |
| E269                          | Gear, shaft pinion                       | 1   | 93-99 | AE          | 63969-R  |
| E270                          | Gear, transfer driven (55T)              | 1   | 93-99 | AE          | 63972-R  |
| E273                          | Nut, transfer driven gear                | 1   | 93-99 | AE          | 63974-R  |
| F275                          | Case assembly                            | 1   | 93-99 | AE          | 63975-R  |
| F276                          | Retainer, overdrive adapter              | 1   | 93-99 | AE          | 63978-R  |
| F278                          | Valve body (w/4 solenoids)               | 1   | 93-99 | AE          | 63980-R  |
| F278                          | Valve body (w/4 solenoids)               | 1   | 93-99 | AE          | 63980A-R |
| F278                          | Valve body (w/4 solenoids)               | 1   | 93-99 | AE          | 63980B-R |
| F278                          | Valve body (w/4 solenoids)               | 1   | 93-99 | AE          | 63980C-R |
| F278                          | Valve body (w/4 solenoids)               | 1   | 93-99 | AE          | 63980D-R |
| F280                          | Pan, bottom                              | 1   | 93-99 | AE          | 63982-R  |
| F282                          | Cover, differential                      | 1   | 93-99 | AE          | 63985-R  |
| F288                          | Shaft, shift                             | 1   | 93-99 | AE          | 63987-R  |
| F290                          | Rod, park                                | 1   | 93-99 | AE          | 63988-R  |
| F291                          | Pin, park pawl                           | 1   | 93-99 | AE          | 63989-R  |
| F292                          | Spring, park pawl                        | 1   | 93-99 | AE          | 63990-R  |
| F293                          | Pawl, park                               | 1   | 93-99 | AE          | 63991-R  |
| F298                          | Shaft, kickdown servo                    | 1   | 93-99 | AE          | 63992-R  |
| F299                          | Piston, kickdown servo                   | 1   | 93-99 | AE          | 63993-R  |
| F301                          | Nut, kickdown servo                      | 1   | 93-99 | AE          | 63994-R  |
| F302                          | Piston, kickdown servo (outer)           | 1   | 93-99 | AE          | 63995-R  |
| <b>ELECTRICAL COMPONENTS</b>  |  |     |       |             |          |
| F313                          | Sensor, pulse generator                  | 1   | 93-99 | T42436LB    | 16A-171  |
| F315                          | Switch, MLPS (neutral start)             | 1   | 93-99 | n/a         | 16A-177  |
| F317                          | Kit, solenoid master (4-solenoids)       | 1   | 93-99 | 52-9009     | 25A-045  |
| n/i                           | Sensor, temperature                      | 1   | 93-99 | 42437L      | 16A-174  |
| <b>SPRAGS</b>                 |  |     |       |             |          |
| C330                          | Sprag .620"                              | low | 96-10 | 45783-36061 | 63503A   |
| <b>NOTES</b>                  |  |     |       |             |          |
|                               |  |     |       |             |          |
|                               |  |     |       |             |          |
|                               |  |     |       |             |          |
|                               |  |     |       |             |          |

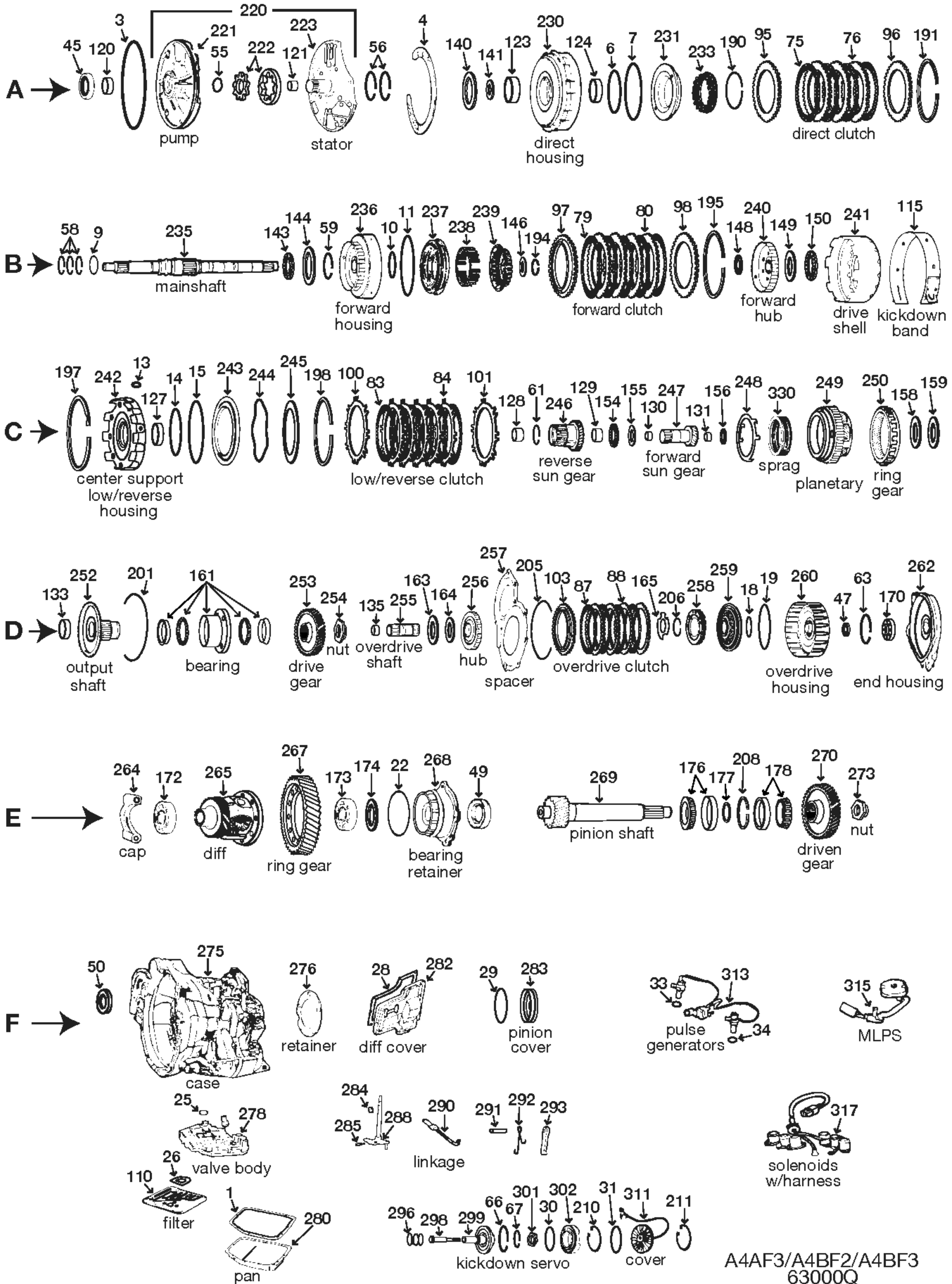


*Experience isn't just how long  
you've been in business. It's what you know.  
And these guys know transmissions.*

Having the parts you need is important. Knowing what you need is the difference. Our parts are researched and tested by our quality staff, so you will have the confidence that, when you buy a Toledo Driveline™ part, you get the quality and performance you demand. But that's not our only strength. Backing up our complete line of parts with over 5 decades of know how and what you need.

So, look to Toledo Driveline™ quality and selection for transmission parts you can trust. And count on the expert knowledge to back them up.

**Toledo**  
**DRIVELINE**



A4AF3/A4BF2/A4BF3  
63000Q

| ILL                                  | DESCRIPTION                            |                             | QTY | YEAR  | REFERENCE #   | PART #    |
|--------------------------------------|--|-----------------------------|-----|-------|---------------|-----------|
| <b>TECHNICAL MANUALS</b>             |  |                             |     |       |               |           |
| K53                                  | Tech manual-covers A4A1-A4BF3          | diagnosis & troubleshooting | 1   | 00-11 | n/a           | 010-485   |
| <b>REBUILDER KITS</b>                |  |                             |     |       |               |           |
| K4                                   | Master deluxe rebuild kit              | A4AF3/A4BF2/3               | 1   | 00-11 | AE            | K6300Q-R  |
| K5                                   | Master kit w/steels                    | A4AF3/A4BF2/3               | 1   | 00-11 | AE            | K6300Q    |
| K6                                   | Master kit w/o steels                  | A4AF3/A4BF2/3               | 1   | 00-11 | AE            | K6300Q-LS |
| K7                                   | O/H gasket set w/seals-rings           | A4AF3/A4BF2/3               | 1   | 00-11 | AE            | K63900Q   |
| <b>VALVE BODY KITS</b>               |  |                             |     |       |               |           |
| K15                                  | Shift Kit®                             | w/4 solenoids               | 1   | 00-11 | SK® KM-175/77 | K63908    |
| K15                                  | Valve Body Calibration System          | w/4 solenoids               | 1   | 00-11 | TL-175        | G63908    |
| K15                                  | Valve Body Calibration System          | w/6 solenoids               | 1   | 00-11 | TL-175-6      | G63908F   |
| <b>GASKETS AND RUBBER COMPONENTS</b> |  |                             |     |       |               |           |
| F1                                   | Gasket, oil pan                        | A4AF3                       | 1   | 00-11 | 45285-28010   | 13141D    |
| A3                                   | O'ring                                 | pump body                   | 1   | 00-11 | 46158-39001   | 23874     |
| A4                                   | Gasket                                 | pump to case                | 1   | 00-11 | 46156-22040   | 23077     |
| E28                                  | Gasket, differential cover             | A4AF3                       | 1   | 00-11 | 45335-28012   | 23114     |
| n/i                                  | D'ring                                 | kickdown servo (large)      | 1   | 00-11 | 45612-37001   | 23109     |
| n/i                                  | Washers                                | pump bolts                  | 6   | 00-11 | MD707653      | 23108     |
| n/i                                  | O'ring                                 | stator to pump cover        | 1   | 00-11 | n/a           | 23876     |
| n/i                                  | Seal                                   | low/reverse housing to case | 1   | 00-11 | 45642-36001   | 23011     |
| n/i                                  | Seal                                   | end clutch feed             | 1   | 00-11 | 46711-28000   | 23008     |
| <b>METAL CLAD SEALS</b>              |  |                             |     |       |               |           |
| A45                                  | Seal, metal clad                       | front                       | 1   | 00-11 | 46131-36002   | 63200     |
| D47                                  | Seal, metal clad .650" id              | end clutch                  | 1   | 00-11 | MD722531      | 63203     |
| D47                                  | Seal, metal clad .500" id              | end clutch                  | 1   | 00-11 | MD736847      | 63203A    |
| E49                                  | Seal, metal clad                       | left axle                   | 1   | 00-11 | 43119-28000   | 63201     |
| F50                                  | Seal, metal clad                       | right axle                  | 1   | 00-11 | 46119-28000   | 63201     |
| n/i                                  | Seal, metal clad                       | speedo                      | 1   | 00-11 | MD729745      | 63202     |
| <b>SEALING RINGS</b>                 |  |                             |     |       |               |           |
| K10                                  | Kit, sealing ring                      | A4AF3                       | 1   | 00-11 | AE            | K63300Q   |
| <b>CLUTCH PLATES</b>                 |  |                             |     |       |               |           |
| A75                                  | Friction .075" 4.996" od 38T           | direct clutch               | 2/3 | 00-11 | 45473-36061   | 63750A    |
| A76                                  | Steel .146" 4.117" id 24T              | direct clutch               | 2/3 | 00-11 | 45475-36000   | 63759     |
| B79                                  | Friction .066" 4.998" od 38T           | forward clutch              | 3   | 00-11 | 45449-22770   | 63750B    |
| B80                                  | Steel .078" 4.117" id 24T              | forward clutch              | 3   | 00-11 | 45451-22700   | 63751D    |
| B80                                  | Steel .087" 4.117" id 24T (not in kit) | Elantra (forward clutch)    | 5   | 00-00 | 45451-28000   | 63751E    |
| C83                                  | Friction .071" 5.997" od 51T           | low/reverse clutch          | 6   | 00-11 | 45621-36061   | 63760B    |
| C84                                  | Steel .039" 5.284" id 20T              | low/reverse clutch          | 6   | 00-11 | 45622-36000   | 63752E    |
| D87                                  | Friction .065" 4.841" od 36T           | overdrive clutch            | 4   | 00-11 | 45560-22761   | 63755A    |
| D88                                  | Steel .039" 4.162" id 25T              | overdrive clutch            | 4   | 00-11 | 45561-22701   | 63761B    |
| <b>PRESSURE PLATES</b>               |  |                             |     |       |               |           |
| A96                                  | Pressure plate 3.81mm .150" 24T        | direct clutch (stamped R)   | 1   | 00-11 | 45453-36000   | 63751C    |
| B97                                  | Pressure plate 5.08mm .200" (beveled)  | forward clutch              | 1   | 00-11 | AE            | 63754A-R  |
| B98                                  | Pressure plate 3.81mm .150" 24T        | forward clutch (stamped R)  | 1   | 00-11 | 45453-36000   | 63751C    |
| C100                                 | Pressure plate (beveled)               | low/reverse clutch          | 1   | 00-11 | AE            | 63753C-R  |
| C101                                 | Pressure plate 20T                     | low/reverse clutch          | 1   | 00-11 | AE            | 63756B-R  |
| D103                                 | Pressure plate 4.137" id 25T           | overdrive clutch            | 1   | 00-11 | AE            | 63729-R   |
| D103                                 | Pressure plate 3.794" id               | overdrive clutch            | 1   | 00-11 | AE            | 63729A-R  |
| <b>FILTERS</b>                       |  |                             |     |       |               |           |
| K9                                   | Kit, filter                            | A4AF3/A4BF3/A4BF3           | 1   | 00-11 | AE            | FK63800G  |
| F110                                 | Filter                                 | A4AF3/A4BF3/A4BF3           | 1   | 00-11 | 46321-22731   | 63800G    |
| n/i                                  | Screen, filter                         | A4AF3/A4BF3/A4BF3           | 1   | 00-11 | 46366-37000   | 63711     |



# A4AF3•A4BF2•A4BF3

A4AF3•A4BF2•A4BF3

| ILL                                 | DESCRIPTION                    |                                      | QTY | YEAR  | REFERENCE # | PART #  |
|-------------------------------------|--------------------------------|--------------------------------------|-----|-------|-------------|---------|
| <b>BANDS</b>                        |                                |                                      |     |       |             |         |
| B45                                 | Band, flex 1.550" (narrow)     | kickdown                             | 1   | 00-11 | 45660-36010 | 63700   |
| B45                                 | Band, flex 1.750" (wide)       | kickdown                             | 1   | 00-11 | 45660-37010 | 63700A  |
| <b>BUSHINGS</b>                     |                                |                                      |     |       |             |         |
| K13                                 | Kit, bushing                   | A4AF3/A4BF3/A4BF3                    | 1   | 00-11 | AE          | K63901B |
| K13                                 | Kit, bushing                   | A4AF3/A4BF3/A4BF3                    | 1   | 00-11 | AE          | K63902  |
| A120                                | Bushing                        | pump body                            | 1   | 00-11 | AE          | 63001   |
| A121                                | Bushing                        | pump stator (front)                  | 1   | 00-11 | n/a         | 63000   |
| A123                                | Bushing                        | direct clutch housing (front)        | 1   | 00-11 | MD707283    | 63002   |
| A123                                | Bearing, caged                 | direct clutch housing                | 1   | 00-11 | n/a         | 63412   |
| A124                                | Bushing                        | direct clutch housing (rear)         | 1   | 00-11 | n/a         | 63007   |
| C127                                | Bushing 1.580" id              | reverse housing                      | 1   | 00-11 | MD73163R    | 63009   |
| C128                                | Bushing                        | reverse sun gear (front)             | 1   | 00-11 | MD707463    | 63005   |
| C129                                | Bushing                        | reverse sun gear (rear)              | 1   | 00-11 | MD707463    | 63005   |
| C130                                | Bushing                        | forward sun gear (front)             | 1   | 00-11 | MD712766    | 63006   |
| C131                                | Bushing                        | forward sun gear (rear)              | 1   | 00-11 | MD712766    | 63006   |
| D133                                | Bushing                        | output shaft                         | 1   | 00-11 | n/a         | 63011   |
| D135                                | Bushing                        | overdrive shaft                      | 1   | 00-11 | n/a         | 63013   |
| <b>WASHERS/BEARINGS/RACES/SHIMS</b> |                                |                                      |     |       |             |         |
| A140                                | Washer, thrust .072" (fiber)   | direct housing to stator             | 1   | 00-11 | MD707901    | 63400   |
| A140                                | Washer, thrust .084" (fiber)   | direct housing to stator             | 1   | 00-11 | MD707902    | 63400A  |
| A140                                | Washer, thrust .101" (fiber)   | direct housing to stator             | 1   | 00-11 | MD707903    | 63400B  |
| A141                                | Race, thrust                   | forward housing to stator            | 1   | 00-11 | n/a         | 63435   |
| B143                                | Bearing, thrust                | forward housing to stator            | 1   | 00-11 | n/a         | 63437   |
| B144                                | Washer, thrust (fiber)         | direct housing to stator             | 1   | 00-11 | n/a         | 63436   |
| B146                                | Race, thrust                   | forward housing to hub               | 1   | 00-11 | n/a         | 63438   |
| B148                                | Bearing, thrust                | forward housing to hub               | 1   | 00-11 | n/a         | 63439   |
| B149                                | Race, thrust                   | forward housing to drive shell       | 1   | 00-11 | n/a         | 63440   |
| C150                                | Bearing, thrust                | forward housing to drive shell       | 1   | 00-11 | n/a         | 63441   |
| C154                                | Bearing, thrust                | reverse sun gear to forward sun gear | 1   | 00-11 | n/a         | 63442   |
| C155                                | Race, thrust                   | reverse sun gear to forward sun gear | 1   | 00-11 | n/a         | 63443   |
| C156                                | Bearing, thrust (in planetary) | forward sun gear to planetary        | 1   | 00-11 | n/a         | 63444   |
| C158                                | Race, thrust                   | planetary to output shaft            | 1   | 00-11 | n/a         | 63445   |
| C159                                | Bearing, thrust                | planetary to output shaft            | 1   | 00-11 | n/a         | 63441   |
| D161                                | Retainer, w/bearings           | output shaft to drive gear           | 1   | 00-11 | n/a         | 63446   |
| D163                                | Race, thrust                   | overdrive hub to overdrive housing   | 1   | 00-11 | n/a         | 63418   |
| D164                                | Race, bearing                  | overdrive hub to overdrive housing   | 1   | 00-11 | n/a         | 63419   |
| D165                                | Washer, thrust (4-tabs)        | overdrive hub to overdrive housing   | 1   | 00-11 | n/a         | 63447   |
| D170                                | Bearing, ball                  | overdrive housing to end housing     | 1   | 00-11 | n/a         | 63434   |
| E172                                | Bearing, ball                  | differential (right side)            | 1   | 00-11 | n/a         | 63448   |
| E173                                | Bearing, ball                  | differential (left side)             | 1   | 00-11 | n/a         | 63448   |
| E176                                | Bearing, ball                  | pinion shaft to case                 | 1   | 00-11 | n/a         | 63451   |
| E178                                | Bearing, ball                  | driven gear to case                  | 1   | 00-11 | n/a         | 63452   |
| <b>SNAP RINGS</b>                   |                                |                                      |     |       |             |         |
| A190                                | Snap ring                      | direct clutch retainer               | 1   | 00-11 | AE          | 63601-R |
| A191                                | Snap ring                      | direct clutch pressure plate         | 1   | 00-11 | AE          | 63602-R |
| B193                                | Snap ring                      | forward diaphragm                    | 1   | 00-11 | AE          | 63603-R |
| B194                                | Snap ring                      | forward housing to shaft             | 1   | 00-11 | AE          | 63604-R |
| B195                                | Snap ring                      | forward pressure plate               | 1   | 00-11 | AE          | 63605-R |
| C197                                | Snap ring                      | reverse housing to case              | 1   | 00-11 | AE          | 63606-R |
| C198                                | Snap ring                      | low/reverse clutch spring            | 1   | 00-11 | AE          | 63607-R |
| C201                                | Snap ring                      | output shaft to ring gear            | 1   | 00-11 | AE          | 63608-R |
| D205                                | Snap ring                      | overdrive clutch pressure plate      | 1   | 00-11 | AE          | 63611-R |
| D206                                | Snap ring                      | overdrive clutch retainer            | 1   | 00-11 | AE          | 63612-R |

| ILL                           | DESCRIPTION  | QTY | YEAR  | REFERENCE # | PART #    |
|-------------------------------|--|-----|-------|-------------|-----------|
| <b>SNAP RINGS (CONTINUED)</b> |  |     |       |             |           |
| F210                          | Snap ring<br>kickdown piston to case   | 1   | 00-11 | AE          | 63613-R   |
| F211                          | Snap ring<br>kickdown piston cover to case   | 1   | 00-11 | AE          | 63614-R   |
| <b>PUMP PARTS AND PUMPS</b>   |  |     |       |             |           |
| A220                          | Pump assy (from end to washer 1.500")<br>1 bushing surface on stator                       | 1   | 00-11 | AE          | 63200Q-R  |
| A220                          | Pump assy (from end to washer 1.625")<br>1 bushing surface on stator                       | 1   | 00-11 | AE          | 63200QA-R |
| A220                          | Pump assy (from end to washer 1.625")<br>1 bearing surface on stator                       | 1   | 00-11 | AE          | 63200QB-R |
| A221                          | Body, pump (11T on inner gear)<br>A4AF3/A4BF3/A4BF3  | 1   | 00-11 | AE          | 63300Q-R  |
| A223                          | Stator, pump (from end to washer 1.500")<br>1 bushing surface on stator                    | 1   | 00-11 | AE          | 63400Q    |
| A223                          | Stator, pump (from end to washer 1.500")<br>1 bushing surface on stator                    | 1   | 00-11 | AE          | 63400Q-R  |
| A223                          | Stator, pump (from end to washer 1.625")<br>1 bushing surface on stator                    | 1   | 00-11 | AE          | 63400QA-R |
| A223                          | Stator, pump (from end to washer 1.625")<br>1 bearing surface on stator                    | 1   | 00-11 | AE          | 63400QB-R |
| <b>HARD PARTS</b>             |  |     |       |             |           |
| A230                          | Housing, direct clutch 1.325" oh (2 clutch)<br>bsg width .312" (lugs start .250" from top) | 0   | 00-11 | AE          | 63911B-R  |
| A230                          | Housing, direct clutch 1.325" oh (2 clutch)<br>bsg width .500" (lugs start .250" from top) | 1   | 00-11 | n/a         | 63911B    |
| A230                          | Housing, direct clutch 1.550" oh (3-clutch)<br>1-bushing (lugs start .500" from top)       | 1   | 00-11 | n/a         | 63911C    |
| A230                          | Housing, direct clutch 1.550" oh (3-clutch)<br>1-bushing (lugs start .500" from top)       | 1   | 00-11 | AE          | 63911C-R  |
| A230                          | Housing, direct clutch 1.325" oh (2-clutch)<br>1-caged bearing                             | 1   | 00-11 | AE          | 63911D-R  |
| A231                          | Piston, direct clutch<br>A4AF3/A4BF2   | 1   | 00-11 | AE          | 63912-R   |
| A233                          | Retainer, w/12 springs 3.564" od<br>direct clutch  | 1   | 00-11 | AE          | 63913-R   |
| B235                          | Shaft, main (3-ring .687" rear pilot)<br>14.500" length (uses 2-O'rings)                   | 1   | 00-11 | AE          | 63916A-R  |
| B235                          | Shaft, main (3-ring .687" rear pilot)<br>15.125" length (uses 2-O'rings)                   | 1   | 00-11 | AE          | 63916B-R  |
| B236                          | Housing, forward clutch w/o shaft<br>4-clutch  | 1   | 00-11 | AE          | 63918A-R  |
| B236                          | Housing, forward clutch w/o shaft<br>5-clutch  | 1   | 00-11 | AE          | 63918B-R  |
| B237                          | Piston, forward clutch<br>A4AF3  | 1   | 00-11 | AE          | 63914A-R  |
| B238                          | Retainer, w/19 springs (3.262" od)<br>forward clutch                                       | 1   | 00-11 | AE          | 63915-R   |
| B239                          | Retainer, clutch springs<br>forward clutch   | 1   | 00-11 | AE          | 63917-R   |
| B240                          | Hub, forward clutch (38T)<br>1.187" oh 4.062" od   | 1   | 00-11 | AE          | 63922A-R  |
| B241                          | Shell, drive (12 lug .450" tall lug) 16 holes<br>kickdown drum                             | 1   | 00-11 | AE          | 63728D-R  |
| B241                          | Shell, drive<br>kickdown drum  | 1   | 00-11 | AE          | 63923-R   |
| C242                          | Support, center (1.585" oh) (steel)<br>low/reverse clutch housing                          | 1   | 00-11 | AE          | 63925-R   |
| C242                          | Support, center (1.460" oh) (steel)<br>low/reverse clutch housing                          | 1   | 00-11 | AE          | 63925A-R  |
| C243                          | Piston, low reverse clutch<br>A4AF3/A4BF2  | 1   | 00-11 | AE          | 63926-R   |
| C244                          | Spring, waved<br>low/reverse clutch  | 1   | 00-11 | AE          | 63638M-R  |
| C245                          | Spring, dished<br>low/reverse clutch   | 1   | 00-11 | AE          | 63706-R   |
| C246                          | Gear, reverse sun (34T) (1-SR/1-SR groove)<br>2.265" oh (1 id groove)                      | 1   | 00-11 | AE          | 63930-R   |
| C246                          | Gear, reverse sun (34T) (1-SR/1-SR groove)<br>2.080" oh                                    | 1   | 00-11 | AE          | 63930A-R  |
| C247                          | Gear, forward sun (29T)<br>3.222" length (1 id groove)                                     | 1   | 00-11 | AE          | 63932A-R  |
| C247                          | Gear, forward sun (26T)<br>3.040" length   | 1   | 00-11 | AE          | 63932B-R  |
| C248                          | Retainer, low/reverse sprag<br>A4AF3/A4BF2   | 1   | 00-11 | AE          | 63933-R   |
| C249                          | Planetary, w/sprag<br>A4AF3/A4BF2  | 1   | 00-11 | AE          | 63935A-R  |
| C250                          | Gear, rear ring (74T)<br>A4AF3/A4BF2 (22 park lugs)  | 1   | 00-11 | AE          | 63937-R   |
| D252                          | Shaft, output (2.550" oh .750" spline)<br>threaded for nut                                 | 1   | 00-11 | AE          | 63940A-R  |
| D253                          | Gear, transfer drive (53T)<br>A4AF3/A4BF2  | 1   | 00-11 | AE          | 63942A-R  |
| D255                          | Shaft, overdrive (27 splines)<br>3.065" length   | 1   | 00-11 | AE          | 63945-R   |
| D255                          | Shaft, overdrive (27 splines)<br>2.914" length   | 1   | 00-11 | AE          | 63945A-R  |
| D256                          | Hub, overdrive clutch<br>A4AF3/A4BF2   | 1   | 00-11 | n/a         | 63946     |
| D256                          | Hub, overdrive clutch (3-clutch)<br>A4AF3/A4BF2  | 1   | 00-11 | AE          | 63946-R   |
| D256                          | Hub, overdrive clutch (4-clutch)<br>A4AF3/A4BF2  | 1   | 00-11 | AE          | 63946B-R  |
| D257                          | Plate, spacer<br>A4AF3/A4BF2   | 1   | 00-11 | AE          | 63951-R   |
| D258                          | Retainer, w/16 springs (3.219" od)<br>overdrive clutch                                     | 1   | 00-11 | AE          | 63947A-R  |
| D259                          | Piston, overdrive clutch<br>A4AF3/A4BF2  | 1   | 00-11 | AE          | 63948A-R  |
| D260                          | Housing, overdrive clutch (3-clutch)<br>lug length 1.625"                                  | 1   | 00-11 | AE          | 63950B-R  |
| D260                          | Housing, overdrive clutch (5-clutch)<br>lug length 1.750"                                  | 1   | 00-11 | n/a         | 63950C    |





### *GFX Inc.*

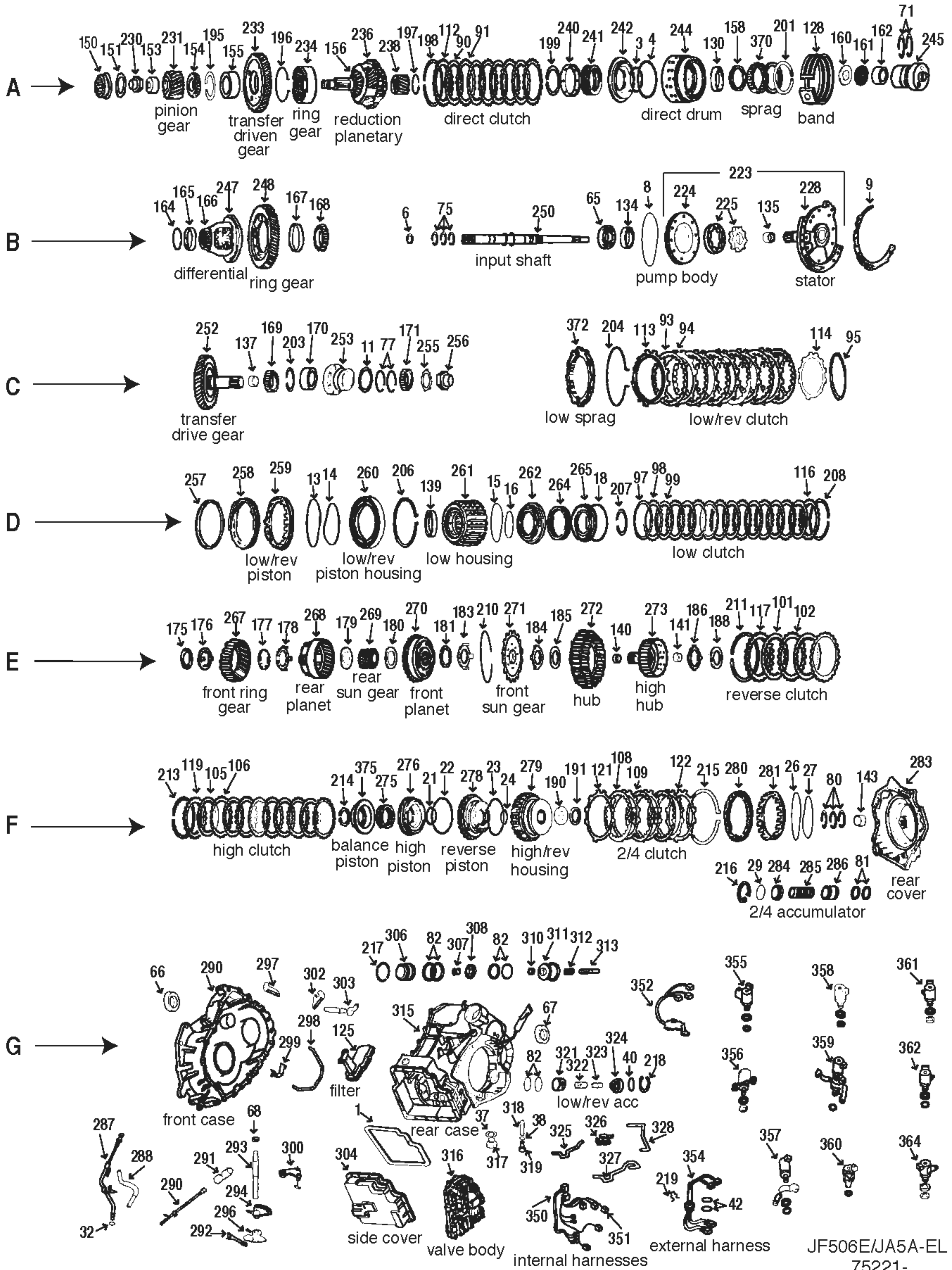
*“The Monster” is just one of the many parts that GFX has manufactured within the last few years.*

*We specialize in offering the industry quality hard parts at very competitive prices. We also carry many popular items such as Pump Gears, Solenoids, Borg-Warner Morse chains, Dynax Friction Plates and much more.*

*305-499-9789—office 305-499-9789-Fax*

A & Reds, authorized GFX Distributor





JF506E/JA5A-EL  
75221-

| ILL                                  | DESCRIPTION  | QTY | YEAR  | REFERENCE #    | PART #      |
|--------------------------------------|--|-----|-------|----------------|-------------|
| <b>TECHNICAL MANUALS</b>             |  |     |       |                |             |
| K53                                  | Tech manual JF506E dis/assembly diagnosis/troubleshooting      | 1   | 02-07 | JF506ETM       | 010-465     |
| K53                                  | Update handbook parts interchangeability parts # JF506E        | 1   | 02-07 | JF506EHB       | 010-466     |
| <b>REBUILDER KITS</b>                |  |     |       |                |             |
| K5                                   | Master kit w/steels w/piston JF506E                            | 1   | 02-10 | MGW-K5000E     | 75221-11004 |
| K6                                   | Master kit w/o steels w/piston JF506E                          | 1   | 02-10 | MGW-K5000E-W/O | 75221-12004 |
| K7                                   | O/H gasket set w/seals-rings w/piston JF506E                   | 1   | 02-10 | FDB-2445       | 75221-13004 |
| K15                                  | Kit, valve body gasket JF506E/JA5A-EL/5F31                     | 1   | 02-10 | FDB-4761       | 75221-16004 |
| <b>VALVE BODY KITS</b>               |  |     |       |                |             |
| K15                                  | Kit, valve body repair JF506E/JA5A-EL/5F31                     | 1   | 02-10 | n/a            | 75221-17009 |
| K15                                  | Kit, valve body gasket JF506E/JA5A-EL/5F31                     | 1   | 02-10 | FDB-4761       | 75221-16004 |
| <b>GASKETS AND RUBBER COMPONENTS</b> |  |     |       |                |             |
| G1                                   | Gasket, oil pan JF506E (neoprene cork)                         | 1   | 02-10 | n/a            | 75221-18104 |
| G1                                   | Gasket, oil pan JF506E (Duraprene®)                            | 1   | 02-10 | B11377         | 75221-19104 |
| B6                                   | O'ring turbine shaft   | 1   | 02-10 | BV01-21-677    | 23721       |
| B8                                   | O'ring pump to case  | 1   | 02-10 | BW01-21-032    | 23086       |
| B9                                   | Gasket, pump (metal coated) JF506E/JA5A-EL/5F31                | 1   | 02-10 | 316323-5P000   | 75221-28004 |
| G32                                  | O'ring filler tube   | 1   | 02-10 | 99541-01201    | 1083        |
| G42                                  | O'ring case connector  | 2   | 02-10 | 96041849       | 13045       |
| n/i                                  | Washer cooler lines  | 4   | 02-10 | 99562-1400     | 75221-28804 |
| n/i                                  | Ball, check .218" od (viton) JF506E/JA5A-EL/5F31               | 8   | 02-10 | FDB-B30141     | 13923       |
| n/i                                  | Seal, valve body to case/accumulator cover JF506E/JA5A-EL/5F31 | 2   | 02-10 | 31528-LW000    | 75221-23604 |
| n/i                                  | Seal, valve body to case/low reverse feed JF506E/JA5A-EL/5F31  | 2   | 02-10 | 31641-PR000    | 75221-23704 |
| n/i                                  | Seal, solenoid to valve body JF506E/JA5A-EL/5F31               | 2   | 02-10 | FDB-B33219     | 75221-23804 |
| <b>METAL CLAD SEALS</b>              |  |     |       |                |             |
| B65                                  | Seal, metal clad all (front)                                   | 1   | 02-10 | 31375-PR000    | 81200       |
| G66                                  | Seal, metal clad Mazda (right axle)                            | 1   | 02-10 | FP01-27-238    | 75221-30204 |
| G66                                  | Seal, metal clad Freelander (right axle)                       | 1   | 02-06 | FDB-B37003     | 73221-30204 |
| G67                                  | Seal, metal clad Mazda (left axle)                             | 1   | 02-10 | FP01-27-238    | 75221-30204 |
| G67                                  | Seal, metal clad Jag/Freelander 2WD,AWD (left/right axle)      | 1/2 | 02-10 | 38342-PR000    | 71221-30204 |
| G67                                  | Seal, metal clad Freelander (left axle)                        | 1   | 02-06 | FDB-B37003     | 73221-30204 |
| G68                                  | Seal, metal clad all (manual lever shaft)                      | 1   | 02-10 | BV11-19-437    | 78210       |
| G68                                  | Seal, metal clad 12x22x7mm Freelander (manual lever shaft)     | 1   | 02-06 | FDB-B29862     | 46202       |
| <b>SEALING RINGS</b>                 |  |     |       |                |             |
| K10                                  | Kit, sealing ring JF506E/JA5A-EL/5F31                          | 1   | 02-10 | FDB-B21822     | 75221-31504 |
| A71                                  | Sealing ring (plastic) direct clutch                           | 2   | 02-10 | FP01-19-655    | 75221-33504 |
| B75                                  | Sealing ring (teflon) input shaft                              | 3   | 02-10 | FP01-19-256    | 75221-33704 |
| C77                                  | Sealing ring (plastic) low clutch support                      | 2   | 02-10 | FP01-19-257    | 75221-33804 |
| F80                                  | Sealing ring (teflon) high/reverse clutch                      | 3   | 02-10 | FP01-19-212    | 75221-33904 |
| F81                                  | Sealing ring (teflon) accumulator piston                       | 2   | 02-10 | FP01-19-701    | 75221-34504 |
| G82                                  | Sealing ring (teflon) accumulator pistons                      | 4   | 02-10 | FP01-19-701    | 75221-34504 |
| <b>CLUTCH PLATES</b>                 |  |     |       |                |             |
| A90                                  | Friction .068" 4.026" od 26T direct clutch                     | 4   | 02-10 | FP01-19-580    | 75221-35104 |
| A91                                  | Steel .079" 3.380" id 24T direct clutch                        | 4   | 02-10 | FP01-19-499    | 75221-37504 |
| A91                                  | Steel .079" 3.380" 24T (wide teeth) direct clutch              | 4   | 02-10 | 162701A-200    | 75221-37604 |
| C93                                  | Friction .071" 6.455" od 32T low/reverse clutch                | 7   | 02-10 | FP01-19-590    | 90108       |
| C94                                  | Steel .055" 5.908" 10T low/reverse clutch                      | 6   | 02-10 | FP01-19-609    | 75221-37804 |
| D98                                  | Steel .055" 4.841" id 32T low clutch                           | 7   | 02-10 | FP01-19561     | 75221-38004 |
| D99                                  | Friction .068" 5.426" od 30T low clutch                        | 7   | 02-10 | FP01-19-5J0    | 75221-35404 |
| E101                                 | Friction .060" 6.141" od 32T reverse clutch                    | 2   | 01-10 | FP01-19-610    | 75221-36804 |
| E102                                 | Steel .078" 5.614" id 36T reverse clutch                       | 2   | 02-10 | FP01-19-571    | 75221-38204 |
| F105                                 | Friction .063" 4.415" od 24T high clutch                       | 5   | 02-10 | FP01-19-620    | 90102A      |
| F106                                 | Steel .095" 3.596" id 18T high clutch                          | 4   | 02-10 | FP01-19-6E1    | 75221-38404 |
| F106                                 | Steel .063" 3.596" id 18T high clutch                          | 1   | 02-10 | FP01-19-6E2    | 75221-38504 |

# JF506E•JA5A-EL•RE5F01A

JF506E•JA5A-EL•RE5F01A

| ILL                                 | DESCRIPTION                                | QTY                                       | YEAR | REFERENCE # | PART #      |             |
|-------------------------------------|--|---|------|-------------|-------------|-------------|
| <b>CLUTCH PLATES (CONTINUED)</b>    |  |   |      |             |             |             |
| F108                                | Friction .063" 7.534" od 32T               | 2nd/4th clutch                            | 6    | 02-10       | FP01-19-3V0 | 75221-37004 |
| F109                                | Steel .118" 6.663" id 7T                   | 2nd/4th clutch                            | 2    | 02-10       | FP01-19-3N4 | 75221-38804 |
| <b>PRESSURE PLATES</b>              |  |   |      |             |             |             |
| A112                                | Pressure plate .171" 3.385" id 24T         | direct clutch                             | 1    | 02-10       | AE          | 75221-41103 |
| A112                                | Pressure plate .178" 3.385" id 24T         | direct clutch                             | 1    | 02-10       | AE          | 71221-41103 |
| C113                                | Pressure plate .250" 5.910" id 10T         | low/reverse clutch (stepped)              | 1    | 02-10       | AE          | 75221-41403 |
| G114                                | Pressure plate (apply) .100" 5.910" id 10T | low/reverse clutch (flat)                 | 1    | 02-10       | AE          | 75221-41503 |
| D116                                | Pressure plate .160" 4.845" id 32T         | low clutch                                | 1    | 02-10       | AE          | 71221-41803 |
| E117                                | Pressure plate .141" 5.615" id 36T         | reverse clutch                            | sel  | 02-10       | AE          | 75221-41603 |
| E117                                | Pressure plate .150" 5.615" id 36T         | reverse clutch                            | sel  | 02-10       | AE          | 75221-41703 |
| E117                                | Pressure plate .157" 5.615" id 36T         | reverse clutch                            | sel  | 02-10       | AE          | 75221-41803 |
| E117                                | Pressure plate .165" 5.615" id 36T         | reverse clutch                            | sel  | 02-10       | AE          | 75221-41903 |
| F119                                | Pressure plate .205" 3.610" id 18T         | high clutch                               | 1    | 02-10       | AE          | 75221-42503 |
| F121                                | Pressure plate .163" 6.625" id 7T          | 2/4 clutch                                | 1    | 02-10       | AE          | 75221-43003 |
| F122                                | Pressure plate (apply) .298" 6.625" id 7T  | 2/4 clutch                                | sel  | 02-10       | AE          | 75221-43203 |
| F122                                | Pressure plate (apply) .308" 6.625" id 7T  | 2/4 clutch                                | sel  | 02-10       | AE          | 75221-43303 |
| <b>FILTERS</b>                      |  |   |      |             |             |             |
| K9                                  | Kit, filter                                | Mazda/Jaguar (neoprene/cork)              | 1    | 02-06       | AE          | 75221-43604 |
| K9                                  | Kit, filter                                | Mazda/Jaguar (Duraprene®)                 | 1    | 02-06       | AE          | 75221-44104 |
| K9                                  | Kit, filter                                | Land Rover (neoprene/cork)                | 1    | 02-05       | AE          | 73221-43604 |
| K9                                  | Kit, filter                                | Land Rover (Duraprene®)                   | 1    | 02-05       | AE          | 73221-44104 |
| G125                                | Filter                                     | Mazda/Jaguar                              | 1    | 02-06       | 31728-PR001 | 75221-45104 |
| G125                                | Filter                                     | Land Rover                                | 1    | 02-05       | 31728-PW003 | 73221-45104 |
| <b>BANDS</b>                        |  |   |      |             |             |             |
| A128                                | Band (split type)                          | JF506E/RE5F01A (reduction brake)          | 1    | 02-08       | 31630-PW002 | 75221-47504 |
| <b>BUSHINGS</b>                     |  |   |      |             |             |             |
| K13                                 | Kit, bushing                               | JF506E/JA5A-EL/5F31                       | 1    | 02-10       | AE          | 75221-50004 |
| B134                                | Bushing                                    | pump body                                 | 1    | 02-10       | AE          | 91005       |
| A130                                | Bushing                                    | direct clutch housing                     | 1    | 02-10       | n/a         | 75221-50804 |
| B135                                | Bushing                                    | stator support (front)                    | 1    | 02-10       | n/a         | 75221-51004 |
| C137                                | Bushing                                    | drive gear (rear)                         | 1    | 02-10       | n/a         | 75221-51304 |
| D139                                | Bushing                                    | low clutch housing                        | 1    | 02-10       | n/a         | 75221-51504 |
| E140                                | Bushing                                    | reverse clutch hub (front)                | 1    | 02-10       | n/a         | 75221-51804 |
| E141                                | Bushing                                    | reverse clutch hub (rear)                 | 1    | 02-10       | n/a         | 75221-51804 |
| F143                                | Bushing                                    | end cover                                 | 1    | 02-10       | n/a         | 75221-52104 |
| <b>WASHERS/BEARINGS/RACES/SHIMS</b> |  |   |      |             |             |             |
| K14                                 | Kit, thrust washer                         | JF506E/JA5A-EL/5F31                       | 1    | 02-10       | AE          | 75221-54504 |
| K12                                 | Kit, thrust bearing                        | JF506E/JA5A-EL/5F31                       | 1    | 02-10       | AE          | 75221-55104 |
| A150                                | Bearing, caged 2.755" od                   | all (reduction planetary to case)         |      | 02-10       | n/a         | 75221-56104 |
| A150                                | Bearing, caged 2.445" od                   | Freelander (reduction planetary to case)  | 1    | 02-06       | n/a         | 73221-56104 |
| A151                                | Bearing, thrust                            | Mazda (pinion gear to caged bearing)      | 1    | 02-06       | n/a         | 75221-56204 |
| A151                                | Bearing, thrust                            | Jag/Freelander (pinion gear to caged brg) | 1    | 02-10       | n/a         | 71221-56204 |
| A153                                | Race, inner                                | all (pinion gear)                         | 1    | 02-10       | n/a         | 75221-56304 |
| A155                                | Bearing, double cone w/wide cone           | all (drive gear (ill# A154/A155))         | 1    | 02-10       | n/a         | 75221-56404 |
| A158                                | Bearing, thrust                            | all (direct housing to support)           | 1    | 02-10       | n/a         | 75221-56604 |
| A160                                | Bearing, thrust                            | all (direct housing to support)           | 1    | 02-10       | n/a         | 75221-56804 |
| A161                                | Bearing, thrust                            | Mazda (reduction sun gear to support)     | 1    | 02-10       | n/a         | 75221-56904 |
| A161                                | Bearing, thrust                            | Jag/Freelander (reduction sg to support)  | 1    | 02-10       | n/a         | 96221-56904 |
| A162                                | Bearing, caged                             | all (direct housing to support)           | 1    | 02-10       | n/a         | 75221-57204 |
| B164                                | Shim, 3.845" id                            | Mazda/Jaguar (differential bearing)       | sel  | 02-10       | n/a         | 75221-57304 |
| B164                                | Shim, 7.735" id                            | Freelander (differential bearing)         | sel  | 02-06       | n/a         | 96221-57304 |
| B166                                | Bearing, cup/cone                          | Mazda/Jaguar (differential to housing)    | 1    | 02-10       | n/a         | 75221-57504 |
| B166                                | Bearing, cup/cone                          | Freelander (differential to housing)      | 1    | 02-06       | n/a         | 96221-57504 |

| ILL   | DESCRIPTION                         | QTY  | YEAR | REFERENCE # | PART # |             |
|---|-------------------------------------|--|------|-------------|--------|-------------|
| <b>WASHERS/BEARINGS/RACES/SHIMS (CONTINUED)</b> |                                     |  |      |             |        |             |
| B168  | Bearing, cup/cone                   | Mazda/Jaguar (differential to case)        | 1    | 02-10       | n/a    | 75221-57604 |
| B168  | Bearing, cup/cone                   | Freelander (differential to housing)       | 1    | 02-06       | n/a    | 96221-57604 |
| C170  | Bearing, double cup/cone            | all (drive gear to supt ill# 169/170/171)  | 1    | 02-10       | n/a    | 75221-58004 |
| C173  | Washer, lock                        | all (nut to inner bearing)                 | 1    | 02-10       | n/a    | 75221-58503 |
| E175  | Bearing, thrust                     | all (support to rear planetary)            | 1    | 02-10       | n/a    | 75221-58604 |
| E176  | Bearing, thrust                     | all (support to rear planetary)            | 1    | 02-10       | n/a    | 75221-58704 |
| E177  | Bearing, thrust                     | all (rear ring gear to rear planetary)     | 1    | 02-10       | n/a    | 75221-58804 |
| E178  | Race, thrust bearing                | Mazda/Jaguar (rear ring gear to planetary) | 1    | 02-10       | n/a    | 75221-58904 |
| E178  | Race, thrust bearing                | Freelander (rear ring gear to planetary)   | 1    | 02-06       | n/a    | 73221-58904 |
| E179  | Bearing, thrust                     | all (rear planetary to sun gear)           | 1    | 02-10       | n/a    | 75221-59004 |
| E180  | Bearing, thrust                     | all (sun gear to front planetary)          | 1    | 02-10       | n/a    | 75221-59104 |
| E181  | Bearing, thrust                     | all (front planetary to sun gear)          | 1    | 02-10       | n/a    | 75221-59204 |
| E183  | Race, thrust bearing                | all (front planetary to sun gear)          | 1    | 02-10       | n/a    | 75221-59304 |
| E184  | Race, thrust bearing                | all (high clutch hub to sun gear)          | 1    | 02-10       | n/a    | 75221-59404 |
| E185  | Bearing, thrust                     | all (high clutch hub to sun gear)          | 1    | 02-10       | n/a    | 75221-58804 |
| E186  | Race, thrust bearing                | all (high clutch hub to reverse housing)   | 1    | 02-10       | n/a    | 75221-59604 |
| E188  | Bearing, thrust                     | all (high clutch hub to reverse housing)   | 1    | 02-10       | n/a    | 75221-59704 |
| F190  | Bearing, thrust                     | all (reverse housing to end housing)       | 1    | 02-10       | n/a    | 75221-60104 |
| F191  | Shim .982" id                       | all (reverse housing to end housing)       | sel  | 02-10       | n/a    | 75221-60204 |
| <b>SNAP RINGS</b>                               |                                     |  |      |             |        |             |
| A195  | Snap ring .063" 3.068" od           | all (bearing to driven gear)               | 1    | 02-10       | AE     | 75221-62103 |
| A196  | Snap ring .068" 5.465" od           | all (ring gear to reduction planetary)     | 1    | 02-10       | AE     | 75221-62203 |
| A197  | Snap ring .078" 1.912" od           | all (direct clutch drum seat)              | 1    | 02-10       | AE     | 75221-62303 |
| A197  | Snap ring .078" 1.492" od           | Freelander (direct clutch drum seat)       | 1    | 02-06       | AE     | 73221-62303 |
| A198  | Snap ring .080" 4.312" od           | all (direct clutch pressure plate)         | 1    | 02-10       | AE     | 75221-62403 |
| A199  | Snap ring .041" 2.308" od           | all (direct clutch retainer)               | 1    | 02-10       | AE     | 75221-62503 |
| A201  | Snap ring .039" 3.412" od           | all (sprag in direct drum)                 | 1    | 02-10       | AE     | 75221-62603 |
| C203  | Snap ring .064" 2.478" od           | all (bearing in support)                   | 1    | 02-10       | AE     | 75221-62703 |
| C204  | Snap ring .049" 6.975" od           | all (low sprag to case)                    | 1    | 02-10       | AE     | 75221-63003 |
| D206  | Snap ring .083"                     | Mazda/Jaguar (low/reverse housing in case) | 1    | 02-10       | AE     | 75221-63503 |
| D206  | Snap ring .088"                     | Freelander (low/reverse housing in case)   | 1    | 02-06       | AE     | 96221-63503 |
| D207  | Snap ring .054" 3.356" od           | all (low clutch retainer)                  | 1    | 02-10       | AE     | 75221-63703 |
| D208  | Snap ring .063" 5.694" od           | all (low clutch pressure plate)            | 1    | 02-10       | AE     | 75221-63903 |
| E210  | Snap ring .063" 5.299" od           | all (sun gear in low housing)              | 1    | 02-10       | AE     | 75221-64303 |
| E211  | Snap ring .079" 6.502" od           | all (reverse clutch pressure plate)        | 1    | 02-10       | AE     | 75221-64603 |
| F213  | Snap ring .079" 4.766" od           | all (high clutch pressure plate)           | 1    | 02-10       | AE     | 75221-64903 |
| F214  | Snap ring                           | all (high clutch retainer)                 | 1    | 02-10       | AE     | 75221-65203 |
| F215  | Snap ring .080" 8.125" od           | all (2-4 retainer)                         | 1    | 02-10       | AE     | 75221-65503 |
| G216  | Snap ring                           | all (2-4 accumulator cover)                | 1    | 02-10       | AE     | 75221-65703 |
| G217  | Snap ring .057" 2.730" od           | Freelander/Mazda/Jaguar (servo cover)      | 1    | 02-10       | AE     | 75221-65803 |
| G218  | Snap ring                           | all (low/reverse accumulator cover)        | 1    | 02-10       | AE     | 75221-65903 |
| <b>PUMP PARTS AND PUMPS</b>                     |                                     |  |      |             |        |             |
| B223  | Pump assembly                       | JF506E/JA5A-EL                             | 1    | 02-10       | AE     | 75221-67003 |
| B224  | Body, pump w/gears                  | JF506E/JA5A-EL                             | 1    | 02-10       | AE     | 75221-67503 |
| B225  | Gears, pump (inner/outer)           | JF506E/JA5A-EL                             | 1    | 02-10       | n/a    | 75221-68104 |
| B228  | Stator, pump                        | JF506E/JA5A-EL                             | 1    | 02-08       | AE     | 75221-68503 |
| <b>HARD PARTS</b>                               |                                     |  |      |             |        |             |
| A230  | Nut                                 | all (reduction planetary)                  | 1    | 02-10       | AE     | 75221-72303 |
| A231  | Gear, pinion 1.540" 4 grooves 22T   | Freelander                                 | 1    | 02-06       | AE     | 73221-72403 |
| A231  | Gear, pinion 1.520" 3 grooves 21T   | Mazda/Jaguar                               | 1    | 02-10       | AE     | 75221-72403 |
| A233  | Gear, driven transfer 2 grooves 65T | Jaguar                                     | 1    | 02-10       | AE     | 71221-72803 |
| A233  | Gear, driven transfer no groove 65T | Freelander                                 | 1    | 02-06       | AE     | 73221-72803 |
| A233  | Gear, driven transfer 1 groove 47T  | Mazda                                      | 1    | 02-06       | AE     | 75221-72803 |

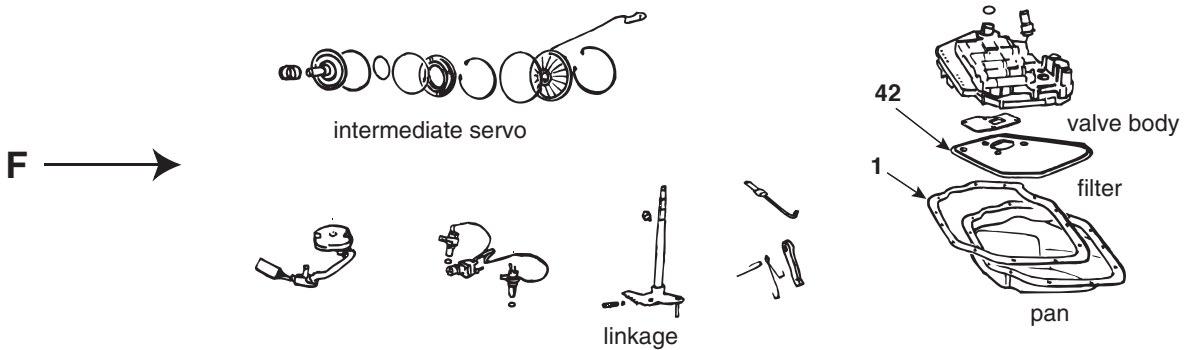
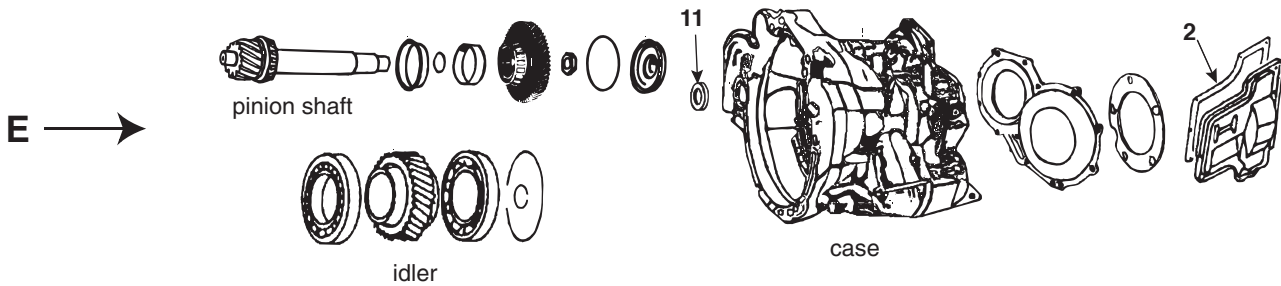
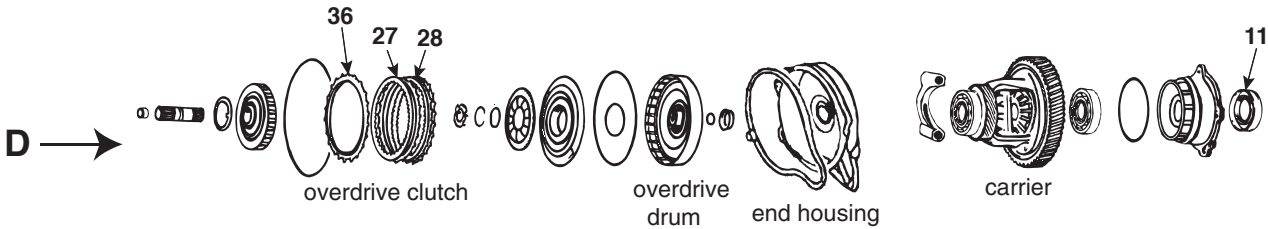
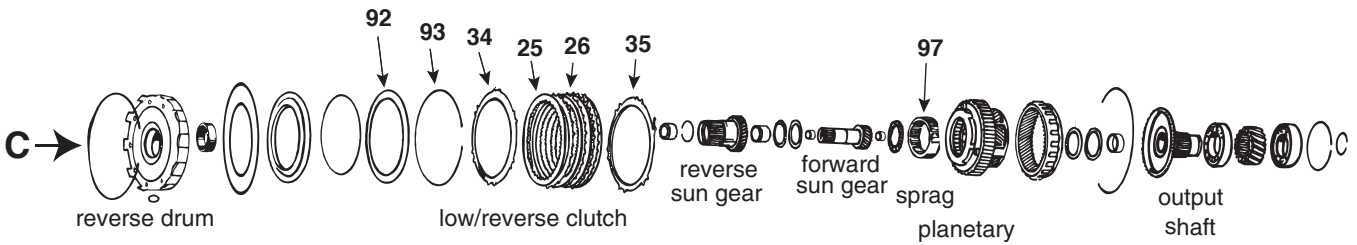
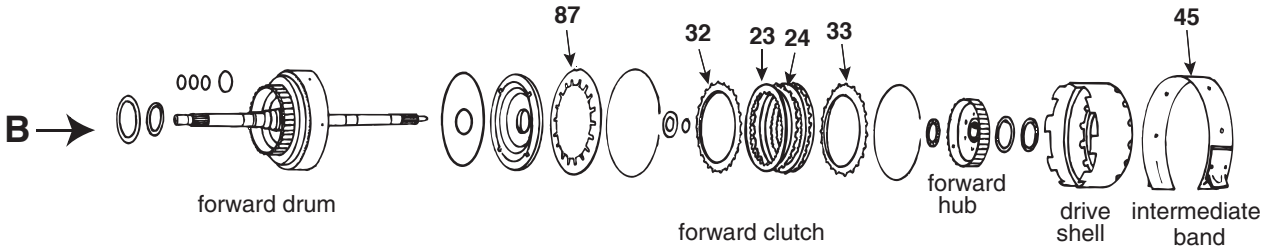
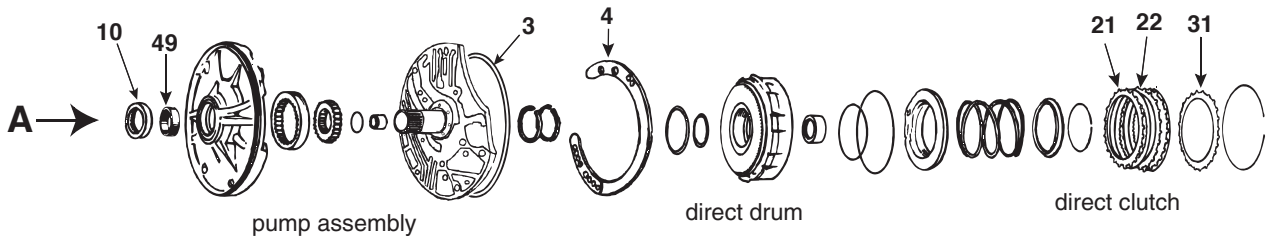


# JF506E•JA5A-EL•RE5F01A

JF506E•JA5A-EL•RE5F01A

| ILL                           | DESCRIPTION                               | QTY | YEAR  | REFERENCE #  | PART #      |
|-------------------------------|---|-----|-------|--------------|-------------|
| <b>HARD PARTS (CONTINUED)</b> |   |     |       |              |             |
| A234                          | Gear, ring 2 slots 5.565" od 93T          | 1   | 02-06 | AE           | 73221-73003 |
| A234                          | Gear, ring no slots 5.435" od 85T         | 1   | 02-10 | AE           | 75221-73003 |
| A236                          | Planetary, reduction w/shaft no groove    | 1   | 02-06 | AE           | 73221-73403 |
| A236                          | Planetary, reduction w/shaft 2 grooves    | 1   | 02-10 | AE           | 75221-73403 |
| A238                          | Gear, sun 1.275" no groove 32T            | 1   | 02-06 | AE           | 73221-73803 |
| A238                          | Gear, sun 2 grooves 31T                   | 1   | 02-10 | AE           | 75221-73803 |
| A240                          | Retainer, w/o spring                      | 1   | 02-10 | AE           | 75221-74003 |
| A241                          | Spring, accordion                         | 1   | 02-10 | AE           | 75221-74103 |
| A242                          | Piston, .330" 3.980" od                   | 1   | 02-10 | AE           | 75221-74203 |
| A244                          | Drum, direct 23 splines                   | 1   | 02-06 | AE           | 73221-74403 |
| A244                          | Drum, direct 31 splines                   | 1   | 02-10 | AE           | 75221-74403 |
| A245                          | Support, direct drum 2.875" oh            | 1   | 02-10 | AE           | 75221-74703 |
| B247                          | Differential w/spider gears               | 1   | 02-10 | AE           | 71221-75003 |
| B247                          | Differential w/spider gears               | 1   | 02-06 | AE           | 73221-75003 |
| B247                          | Differential w/spider gears               | 1   | 02-06 | AE           | 75221-75003 |
| B248                          | Gear, ring 1.245" no groove 67T           | 1   | 02-06 | AE           | 73221-75303 |
| B248                          | Gear, ring 1.245" 4 grooves 68T           | 1   | 02-10 | AE           | 75221-75303 |
| B250                          | Shaft, input 20 splines 12.500" length    | 1   | 02-10 | AE           | 75221-75503 |
| B250                          | Shaft, input 20 splines 12.500" length    | 1   | 02-06 | AE           | 96221-75503 |
| C252                          | Gear, drive transfer 1.050" id 54T        | 1   | 02-10 | AE           | 71221-75803 |
| C252                          | Gear, drive transfer .985" id 54T         | 1   | 02-06 | AE           | 73221-75803 |
| C252                          | Gear, drive transfer 1.050" id 41T        | 1   | 02-06 | AE           | 75221-75803 |
| C253                          | Support, drive transfer gear 4 notches id | 1   | 02-10 | AE           | 75221-76003 |
| C256                          | Nut                                       | 1   | 02-10 | AE           | 75221-76203 |
| D257                          | Retainer, 7.312" od                       | 1   | 02-10 | AE           | 75221-76503 |
| D258                          | Spring, accordion                         | 1   | 02-10 | AE           | 75221-76603 |
| D259                          | Piston 1.040" oh (aluminum)               | 1   | 02-10 | AE           | 71221-76703 |
| D259                          | Piston .0905" oh (aluminum)               | 1   | 02-06 | AE           | 73221-76703 |
| D259                          | Piston .0905" oh (aluminum)               | 1   | 02-06 | AE           | 75221-76703 |
| D260                          | Housing .850" oh                          | 1   | 02-10 | AE           | 75221-76803 |
| D260                          | Housing .805" oh                          | 1   | 02-06 | AE           | 96221-76803 |
| D261                          | Housing, low clutch                       | 1   | 02-10 | AE           | 75221-77003 |
| D262                          | Piston 1.390" oh (aluminum)               | 1   | 02-10 | AE           | 71221-77203 |
| D262                          | Piston 1.260" oh (aluminum)               | 1   | 02-06 | AE           | 75221-77203 |
| D264                          | Spring, accordion                         | 1   | 02-10 | AE           | 75221-77403 |
| D265                          | Retainer, alum .300" oh 12 id notches     | 1   | 02-10 | AE           | 75221-77503 |
| E267                          | Gear, front ring 75T                      | 1   | 02-10 | AE           | 75221-77803 |
| E268                          | Planetary, rear 4 pinion gears            | 1   | 02-06 | AE           | 73221-78003 |
| E268                          | Planetary, rear 5 pinion gears            | 1   | 02-10 | AE           | 75221-78003 |
| E269                          | Gear, rear sun .910" 20 splines 42T       | 1   | 02-10 | AE           | 75221-78203 |
| E270                          | Planetary, front 3 pinion gears           | 1   | 02-06 | AE           | 73221-78503 |
| E270                          | Planetary, front 4 pinion gears           | 1   | 02-10 | AE           | 75221-78503 |
| E271                          | Gear, front sun 32 outer lugs 34T         | 1   | 02-10 | AE           | 75221-78803 |
| E272                          | Hub, 32T                                  | 1   | 02-10 | AE           | 75221-79003 |
| E273                          | Hub, 2.815" oh 24T                        | 1   | 02-10 | AE           | 75221-79203 |
| F275                          | Spring, accordion 1.075" oh 2.875" od     | 1   | 02-10 | AE           | 75221-79403 |
| F276                          | Piston .890" 4.405" od (aluminum)         | 1   | 02-10 | AE           | 75221-79503 |
| F278                          | Piston 2.115" oh (aluminum)               | 1   | 02-08 | FP-03-19-480 | 75221-79704 |
| F278                          | Piston 2.115" oh (aluminum)               | 1   | 02-10 | AE           | 75221-79703 |
| F279                          | Housing, 2.875" oh 36T (stamp steel)      | 1   | 02-10 | AE           | 75221-80103 |
| F280                          | Retainer, w/springs                       | 1   | 02-10 | AE           | 75221-80303 |
| F281                          | Piston 1.545" oh 7.500" od 20 lugs        | 1   | 02-10 | AE           | 75221-80403 |
| F283                          | Housing, end                              | 1   | 02-10 | AE           | 75221-80503 |

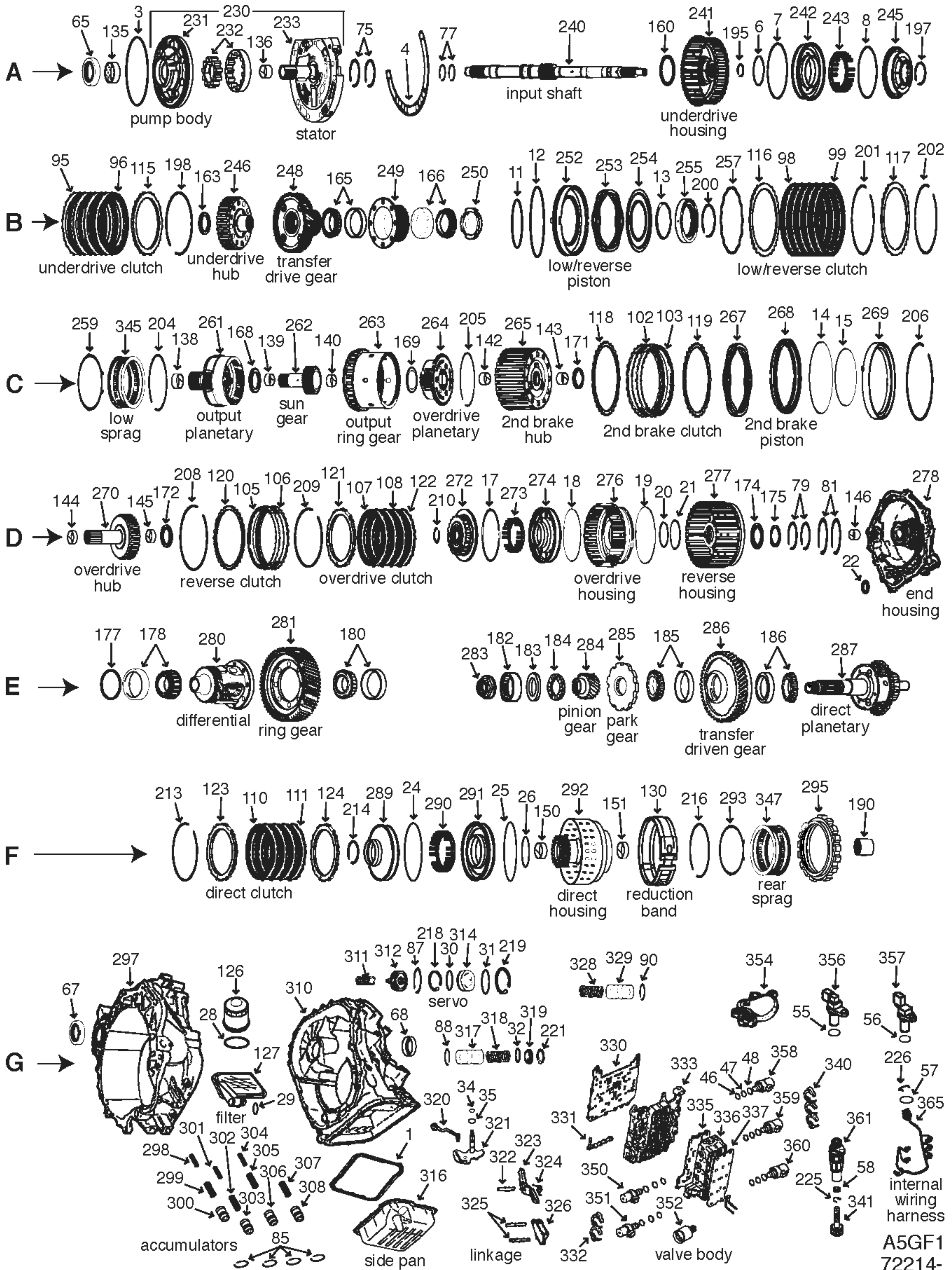
| ILL                           | DESCRIPTION  | QTY | YEAR  | REFERENCE #     | PART #      |
|-------------------------------|--|-----|-------|-----------------|-------------|
| <b>HARD PARTS (CONTINUED)</b> |  |     |       |                 |             |
| G290                          | Case, front half (square starter hole) Jaguar (23 case bolts)                      | 1   | 02-10 | casting #PL042  | 71221-81103 |
| G290                          | Case, front half (round starter hole) Freelander (12 case bolts)                   | 1   | 02-08 | casting #PRO43  | 73221-81103 |
| G290                          | Case, front half (square starter hole) Mazda (22 case bolts)                       | 1   | 02-06 | casting #PM2    | 75221-81103 |
| G304                          | Pan, side cover Jaguar (on top vent hole 1.125" od)                                | 1   | 02-10 | AE              | 71221-82203 |
| G304                          | Pan, side cover Freelander (dipstick .750" oh middle top)                          | 1   | 02-08 | AE              | 73221-82203 |
| G304                          | Pan, side cover Mazda (no filler tube)   | 1   | 02-06 | AE              | 75221-82203 |
| G315                          | Case, rear half snap ring holds servo Jaguar (23 case bolts no vent)               | 1   | 02-10 | AE              | 72221-82803 |
| G315                          | Case, rear half snap ring holds servo Freelander (21 case bolts w/top vent)        | 1   | 02-08 | AE              | 73221-82803 |
| G315                          | Case, rear half snap ring holds servo Mazda (22 case bolts w/top vent)             | 1   | 02-06 | AE              | 75221-82803 |
| G316                          | VB w/solenoids 2 recessed alum end caps Freelander (w/2 tubes/steel solenoid brkt) | 1   | 02-08 | AE              | 73221-83003 |
| G316                          | Valve body w/solenoids Mazda (w/1 tube/2 cast iron solenoid brkt)                  | 1   | 02-06 | casting #PM SUB | 75221-83003 |
| G316                          | VB w/solenoids w/2 flush alum end caps Jaguar (w/2 tubes/steel solenoid brackets)  | 1   | 02-10 | AE              | 96221-83003 |
| <b>ELECTRICAL COMPONENTS</b>  |  |     |       |                 |             |
| n/i                           | Kit, solenoid (9 solenoids) Mazda  | 1   | 02-06 | D183420B        | 75221-85004 |
| n/i                           | Kit, solenoid (9 solenoids) Jaguar/Land Rover                                      | 1   | 02-06 | 122990-SL       | 96221-85004 |
| G350                          | Harness, wiring internal w/temp sensor Mazda/Jag/Freelander (1-8 prong 3-2 blade)  | 1   | 02-10 | n/a             | 75221-90404 |
| G351                          | Harness, wiring internal Mazda (10 prong w/7 1 blade/2 two prong)                  | 1   | 02-06 | n/a             | 75221-90504 |
| G351                          | Harness, wiring internal w/ground wire Freelander/Jaguar (10 prong w/9 one blade)  | 1   | 02-10 | n/a             | 96221-90504 |
| G352                          | Switch, MLPS (neutral start) Jaguar  | 1   | 02-10 | n/a             | 71221-90704 |
| G352                          | Switch, MLPS (neutral start) Freelander  | 1   | 02-06 | n/a             | 73221-90704 |
| G352                          | Switch, MLPS (neutral start) Mazda   | 1   | 02-06 | n/a             | 75221-90704 |
| G354                          | Harness, wiring external 20" length Jaguar (18 wire connector)                     | 1   | 02-10 | n/a             | 71221-90904 |
| G354                          | Harness, wiring external 26.500" lg Freelander (18 wire w/1 10/8 prong square)     | 1   | 02-06 | n/a             | 73221-90904 |
| G354                          | Harness, wiring external 17.500" lg Mazda (18 wire w/1 ten and 8 prong square)     | 1   | 02-06 | n/a             | 75221-90904 |
| G355                          | Soleniod Mazda (lockup/TCC)(N91)   | 1   | 02-07 | FP03-21-1DY     | 75221-87104 |
| G355                          | Soleniod Jaguar/Freelander (lockup/TCC)(N91)                                       | 1   | 02-06 | 31941-PR010     | 96221-87104 |
| G356                          | Soleniod Mazda/Jag/Freelander(EPC press control)N93                                | 1   | 02-07 | FP01-21-1DY     | 75221-87504 |
| G357                          | Soleniod Mazda (high clutch control)(N90)  | 1   | 02-07 | FP03-21-1DO     | 75221-87704 |
| G357                          | Soleniod Mazda (2/4 brake)(N90)  | 1   | 02-07 | FP03-21-1DO     | 75221-87704 |
| G357                          | Soleniod Jag/Freelander (low clutch timing)(N90)                                   | 1   | 02-06 | 31941-PR009     | 96221-89004 |
| G358                          | Soleniod Freelander/Jaguar (2/4 brake duty)(N283)                                  | 1   | 02-10 | D183450A        | 96221-87704 |
| G359                          | Soleniod Mazda (neutral shift)(N282)   | 1   | 02-07 | 31941-PM005     | 75221-88004 |
| G359                          | Soleniod Jag/Freelander (2/4 brake timing)(N282)                                   | 1   | 02-06 | 31941-PM002     | 96221-89304 |
| G360                          | Soleniod Mazda/Jag/Freelander(reduction timing)N281                                | 1   | 02-07 | 31941-PM002     | 75221-89504 |
| G361                          | Soleniod Mazda/Jaguar/Freelander (B-shift)(N89)                                    | 1   | 02-07 | 31941-PR000     | 75221-88304 |
| G362                          | Soleniod Mazda (C shift)(N92)  | 1   | 02-07 | 31941-PM003     | 75221-88904 |
| G362                          | Soleniod Jaguar/Freelander (C-shift)(N92)  | 1   | 02-06 | 31941-PR005     | 96221-88904 |
| G364                          | Soleniod Mazda (A shift)(N88)  | 1   | 02-07 | FP01-21-1DO     | 75221-88604 |
| G364                          | Soleniod Jaguar/Freelander (A-shift)(N88)  | 1   | 02-06 | 31941-PM004     | 96221-88604 |
| n/i                           | Sensor, speed all (turbine)  | 1   | 02-10 | FP01-21550      | 75221-92304 |
| n/i                           | Sensor, speed all (input)  | 1   | 02-10 | FP01-21550      | 75221-92304 |
| n/i                           | Sensor, speed all (output)   | 1   | 02-10 | FP01-21550      | 75221-92304 |
| <b>SPRAGS</b>                 |  |     |       |                 |             |
| A370                          | Sprag, reduction .632" (28 elements) all   | 1   | 02-10 | n/a             | 75221-94004 |
| A370                          | Sprag, reduction .632" (28 elements) all   | 1   | 02-10 | AE              | 75221-94003 |
| C372                          | Sprag, low .515" (18 roller) all   | 1   | 02-10 | n/a             | 75221-94504 |
| C372                          | Sprag, low .515" (18 roller) all   | 1   | 02-10 | AE              | 75221-94503 |
| <b>BONDED PISTONS</b>         |  |     |       |                 |             |
| F375                          | Piston, balance bonded rubber JF506E (high clutch)                                 | 1   | 02-06 | B81899          | 75221-97104 |
| <b>NOTES</b>                  |  |     |       |                 |             |
|                               |  |     |       |                 |             |
|                               |  |     |       |                 |             |
|                               |  |     |       |                 |             |



A4CF1/A4CF2  
65213-







A5GF1  
72214-

| ILL                                  | DESCRIPTION                         | QTY                | YEAR | REFERENCE # | PART #         |             |
|--------------------------------------|-------------------------------------|--------------------|------|-------------|----------------|-------------|
| <b>REBUILDER KITS</b>                |                                     |                    |      |             |                |             |
| K5                                   | Master kit w/steels                 | A5GF1              | 1    | 06-11       | APC-123905     | 72214-11104 |
| K6                                   | Master kit w/o steels               | A5GF1              | 1    | 06-11       | APC-123905LS   | 72214-12104 |
| K7                                   | O/H gasket set w/seals-rings        | A5GF1              | 1    | 06-11       | APC-123804     | 72214-13104 |
| <b>GASKETS AND RUBBER COMPONENTS</b> |                                     |                    |      |             |                |             |
| G1                                   | Gasket, side pan                    | A5GF1              | 1    | 06-11       | n/a            | 72214-18004 |
| A3                                   | O' ring, pump body                  | A5GF1              | 1    | 06-11       | n/a            | 72214-21004 |
| A4                                   | Gasket, pump support                | A5GF1              | 1    | 06-11       | n/a            | 72214-28004 |
| <b>METAL CLAD SEALS</b>              |                                     |                    |      |             |                |             |
| A65                                  | Seal, metal clad                    | pump body          | 1    | 06-11       | n/a            | 72214-30104 |
| G67                                  | Seal, metal clad                    | right axle         | 1    | 06-11       | n/a            | 72214-30204 |
| G68                                  | Seal, metal clad                    | left axle          | 1    | 06-11       | n/a            | 72214-30204 |
| <b>SEALING RINGS</b>                 |                                     |                    |      |             |                |             |
| K10                                  | Kit, sealing ring                   | A5GF1              | 1    | 06-11       | AE             | 72214-31504 |
| A75                                  | Sealing ring                        | pump stator        | 2    | 06-11       | n/a            | 72214-33204 |
| A77                                  | Sealing ring                        | input shaft        | 2    | 06-11       | n/a            | 72214-33404 |
| D79                                  | Sealing ring                        | overdrive housing  | 2    | 06-11       | n/a            | 72214-33604 |
| D81                                  | Sealing ring                        | reverse housing    | 2    | 06-11       | n/a            | 72214-33804 |
| <b>CLUTCH PLATES</b>                 |                                     |                    |      |             |                |             |
| B95                                  | Steel .071" 4.655" id 20T           | underdrive clutch  | 5    | 06-11       | APC-123701     | 63120       |
| B96                                  | Friction, waved .067" 5.358" od 27T | underdrive clutch  | 5    | 06-11       | APC-123708B    | 72214-35104 |
| B98                                  | Friction .067" 6.183" od 30T        | low/reverse clutch | 7    | 06-11       | APC-123706     | 63109       |
| B99                                  | Steel .099" 5.127" id 17T           | low/reverse clutch | 1    | 06-11       | APC-123703     | 63129       |
| B99                                  | Steel .040" 5.128" id 17T           | low/reverse clutch | 6    | 06-11       | APC-123703-102 | 72214-37804 |
| C102                                 | Steel .099" 5.127" id 17T           | 2nd brake clutch   | 5    | 06-11       | APC-123703     | 63129       |
| C102                                 | Steel .099" 5.128" id 17T (stepped) | 2nd brake clutch   | 1    | 06-11       | APC-123761     | 72214-38004 |
| C103                                 | Friction .069" 6.183" od 30T        | 2nd brake clutch   | 4    | 06-11       | APC-123702     | 63107       |
| D105                                 | Friction .067" 5.869" od 30T        | reverse clutch     | 3    | 06-11       | APC-123704     | 63105       |
| D106                                 | Steel .099" 4.655" od 20T           | reverse clutch     | 3    | 06-11       | APC-123705     | 63126       |
| D107                                 | Friction, waved .067" 5.357" od 28T | overdrive clutch   | 5    | 06-11       | APC-123708A    | 72214-35804 |
| D108                                 | Steel .099" 5.619" id 20T           | overdrive clutch   | 5    | 06-11       | APC-123709     | 72214-38304 |
| F110                                 | Friction .066" 3.997" od 30T        | direct clutch      | 4    | 06-11       | APC-123712-168 | 72214-36004 |
| F111                                 | Steel .115" 3.219" id 20T           | direct clutch      | 4    | 06-11       | APC-123713-290 | 72214-38504 |
| <b>PRESSURE PLATES</b>               |                                     |                    |      |             |                |             |
| B115                                 | Pressure plate                      | underdrive clutch  | 1    | 06-11       | AE             | 72214-41103 |
| B116                                 | Pressure plate (apply)              | low/reverse clutch | 1    | 06-11       | AE             | 72214-41503 |
| B117                                 | Pressure plate                      | low/reverse clutch | 1    | 06-11       | AE             | 72214-41903 |
| C118                                 | Pressure plate (apply)              | 2nd brake clutch   | 1    | 06-11       | AE             | 72214-42203 |
| C119                                 | Pressure plate                      | 2nd brake clutch   | 1    | 06-11       | AE             | 72214-42503 |
| D120                                 | Pressure plate                      | reverse clutch     | 1    | 06-11       | AE             | 72214-42803 |
| D121                                 | Pressure plate                      | overdrive clutch   | 1    | 06-11       | AE             | 72214-43003 |
| D122                                 | Pressure plate (apply)              | overdrive clutch   | 1    | 06-11       | AE             | 72214-43103 |
| F123                                 | Pressure plate                      | direct clutch      | 1    | 06-11       | AE             | 72214-43203 |
| F124                                 | Pressure plate (apply)              | direct clutch      | 1    | 06-11       | AE             | 72214-43403 |
| <b>FILTERS</b>                       |                                     |                    |      |             |                |             |
| G126                                 | Filter, oil cooler (screw-on)       | A5GF1              | 1    | 06-11       | n/a            | 72214-45104 |
| G127                                 | Filter, main                        | A5GF1              | 1    | 06-11       | n/a            | 72214-45004 |
| <b>BANDS</b>                         |                                     |                    |      |             |                |             |
| F130                                 | Band, reduction                     | A5GF1              | 1    | 06-11       | n/a            | 72214-47504 |
|                                      |                                     |                    |      |             |                |             |
|                                      |                                     |                    |      |             |                |             |
|                                      |                                     |                    |      |             |                |             |
|                                      |                                     |                    |      |             |                |             |

# A5GF1

A5GF1

| ILL                                 | DESCRIPTION        | QTY                                  | YEAR | REFERENCE # | PART # |             |
|-------------------------------------|--------------------|--------------------------------------|------|-------------|--------|-------------|
| <b>BUSHINGS</b>                     |                    |                                      |      |             |        |             |
| K13                                 | Kit, bushings      | A5GF1                                | 1    | 06-11       | AE     | 72214-50104 |
| A135                                | Bushing            | pump body                            | 1    | 06-11       | n/a    | 72214-50604 |
| A136                                | Bushing            | stator support (front)               | 1    | 06-11       | n/a    | 72214-50704 |
| C138                                | Bushing            | output planetary (front)             | 1    | 06-11       | n/a    | 72214-50804 |
| C139                                | Bushing            | sun gear (front)                     | 1    | 06-11       | n/a    | 72214-51004 |
| C140                                | Bushing            | sun gear (rear)                      | 1    | 06-11       | n/a    | 72214-51004 |
| C142                                | Bushing            | 2nd brake hub (front)                | 1    | 06-11       | n/a    | 72214-51204 |
| C143                                | Bushing            | 2nd brake hub (rear)                 | 1    | 06-11       | n/a    | 72214-51204 |
| D144                                | Bushing            | overdrive hub (front)                | 1    | 06-11       | n/a    | 72214-51404 |
| D145                                | Bushing            | overdrive hub (rear)                 | 1    | 06-11       | n/a    | 72214-51404 |
| D146                                | Bushing            | end housing                          | 1    | 06-11       | n/a    | 72214-51504 |
| F150                                | Bushing            | direct housing (front)               | 1    | 06-11       | n/a    | 72214-51604 |
| F151                                | Bushing            | direct housing (rear)                | 1    | 06-11       | n/a    | 72214-51604 |
| <b>WASHERS/BEARINGS/RACES/SHIMS</b> |                    |                                      |      |             |        |             |
| A160                                | Washer, thrust     | underdrive housing to pump support   | sel  | 06-11       | n/a    | 72214-56104 |
| B163                                | Bearing, thrust    | underdrive hub to underdrive housing | 1    | 06-11       | n/a    | 72214-56404 |
| B165                                | Bearing, cup/cone  | transfer support (front)             | 1    | 06-11       | n/a    | 72214-56504 |
| B166                                | Bearing, cup/cone  | transfer support (rear)              | 1    | 06-11       | n/a    | 72214-56604 |
| C168                                | Bearing, thrust    | sun gear to output planetary         | 1    | 06-11       | n/a    | 72214-56804 |
| C169                                | Bearing, thrust    | sun gear to overdrive planetary      | 1    | 06-11       | n/a    | 72214-57004 |
| C171                                | Bearing, thrust    | 2nd brake hub to overdrive hub       | 1    | 06-11       | n/a    | 72214-57204 |
| D172                                | Bearing, thrust    | overdrive hub to reverse housing     | 1    | 06-11       | n/a    | 72214-57404 |
| D174                                | Bearing, thrust    | reverse housing to end housing       | 1    | 06-11       | n/a    | 72214-57604 |
| D175                                | Race, thrust       | reverse housing to end housing       | 1    | 06-11       | n/a    | 72214-57904 |
| E178                                | Bearing, cup/cone  | differential (front)                 | 1    | 06-11       | n/a    | 72214-58104 |
| E180                                | Bearing, cup/cone  | differential (rear)                  | 1    | 06-11       | n/a    | 72214-58204 |
| E182                                | Bearing, cage      | pinion gear                          | 1    | 06-11       | n/a    | 72214-58304 |
| E183                                | Race, thrust       | pinion gear                          | 1    | 06-11       | n/a    | 72214-58504 |
| E184                                | Bearing, thrust    | pinion gear                          | 1    | 06-11       | n/a    | 72214-58604 |
| E185                                | Bearing, cup/cone  | driven transfer gear (front)         | 1    | 06-11       | n/a    | 72214-58804 |
| E186                                | Bearing, cup/cone  | driven transfer gear (rear)          | 1    | 06-11       | n/a    | 72214-58904 |
| F190                                | Bearing, cage      | direct planetary                     | 1    | 06-11       | n/a    | 72214-59204 |
| <b>SNAP RINGS</b>                   |                    |                                      |      |             |        |             |
| A195                                | Snap ring          | input shaft to underdrive housing    | 1    | 06-11       | AE     | 72214-62203 |
| A197                                | Snap ring          | underdrive spring retainer           | 1    | 06-11       | AE     | 72214-62303 |
| B198                                | Snap ring          | underdrive pressure plate            | 1    | 06-11       | AE     | 72214-62503 |
| B200                                | Snap ring          | low/reverse retainer                 | 1    | 06-11       | AE     | 72214-62703 |
| B201                                | Snap ring          | seat for low/reverse pressure plate  | 1    | 06-11       | AE     | 72214-62803 |
| B202                                | Snap ring          | low/reverse pressure plate           | 1    | 06-11       | AE     | 72214-62903 |
| C204                                | Snap ring          | output planetary to ring gear        | 1    | 06-11       | AE     | 72214-63003 |
| C205                                | Snap ring          | overdrive planetary to ring gear     | 1    | 06-11       | AE     | 72214-63203 |
| C206                                | Snap ring          | 2nd brake retainer                   | 1    | 06-11       | AE     | 72214-63403 |
| D208                                | Snap ring          | reverse pressure plate               | 1    | 06-11       | AE     | 72214-64003 |
| D209                                | Snap ring          | overdrive pressure plate             | 1    | 06-11       | AE     | 72214-64103 |
| D210                                | Snap ring          | overdrive retainer                   | 1    | 06-11       | AE     | 72214-64203 |
| F213                                | Snap ring          | direct pressure plate                | 1    | 06-11       | AE     | 72214-64803 |
| F214                                | Snap ring          | direct clutch retainer               | 1    | 06-11       | AE     | 72214-64903 |
| F216                                | Snap ring          | rear sprag                           | 1    | 06-11       | AE     | 72214-65003 |
| <b>PUMP PARTS AND PUMPS</b>         |                    |                                      |      |             |        |             |
| A230                                | Pump assembly      | A5GF1                                | 1    | 06-10       | AE     | 72214-67003 |
| A231                                | Body, pump w/gears | A5GF1                                | 1    | 06-10       | AE     | 72214-67503 |
| A232                                | Gears, pump        | A5GF1                                | 1    | 06-11       | n/a    | 72214-68104 |
| A233                                | Stator, pump       | A5GF1                                | 1    | 06-11       | AE     | 72214-68503 |

| ILL               | DESCRIPTION                                   | QTY | YEAR  | REFERENCE # | PART #      |
|-------------------|---|-----|-------|-------------|-------------|
| <b>HARD PARTS</b> |   |     |       |             |             |
| A240              | Shaft, input A5GF1                            | 1   | 06-11 | AE          | 72214-72103 |
| A241              | Housing, underdrive A5GF1                     | 1   | 06-11 | AE          | 72214-72303 |
| A242              | Piston, underdrive clutch A5GF1               | 1   | 06-11 | AE          | 72214-72503 |
| A243              | Retainer, w/springs (underdrive clutch) A5GF1 | 1   | 06-11 | AE          | 72214-72603 |
| A245              | Retainer, underdrive clutch A5GF1             | 1   | 06-11 | AE          | 72214-72703 |
| B246              | Hub, underdrive clutch A5GF1                  | 1   | 06-11 | AE          | 72214-72803 |
| B248              | Gear, transfer drive A5GF1                    | 1   | 06-11 | AE          | 72214-73003 |
| B249              | Housing, transfer drive gear A5GF1            | 1   | 06-11 | AE          | 72214-73403 |
| B250              | Nut, transfer drive gear A5GF1                | 1   | 06-11 | AE          | 72214-73503 |
| B252              | Piston, low/reverse clutch A5GF1              | 1   | 06-11 | AE          | 72214-73603 |
| B253              | Spring, low/reverse clutch return A5GF1       | 1   | 06-11 | AE          | 72214-73703 |
| B254              | Retainer, spring guide low/reverse clutch     | 1   | 06-11 | AE          | 72214-73803 |
| B255              | Race, inner low sprag A5GF1                   | 1   | 06-11 | AE          | 72214-73903 |
| C259              | Retainer, low sprag A5GF1                     | 1   | 06-11 | AE          | 72214-74003 |
| C261              | Planetary, output A5GF1                       | 1   | 06-11 | AE          | 72214-74203 |
| C262              | Gear, output planetary sun A5GF1              | 1   | 06-11 | AE          | 72214-74503 |
| C263              | Gear, output ring A5GF1                       | 1   | 06-11 | AE          | 72214-74903 |
| C264              | Planetary, overdrive A5GF1                    | 1   | 06-11 | AE          | 72214-75303 |
| C265              | Hub, 2nd brake w/sun gear A5GF1               | 1   | 06-11 | AE          | 72214-75603 |
| C267              | Spring, 2nd brake clutch return A5GF1         | 1   | 06-11 | AE          | 72214-75803 |
| C268              | Piston, 2nd brake clutch A5GF1                | 1   | 06-11 | AE          | 72214-75903 |
| C269              | Retainer, 2nd brake clutch A5GF1              | 1   | 06-11 | AE          | 72214-76003 |
| D270              | Hub, overdrive clutch A5GF1                   | 1   | 06-11 | AE          | 72214-76203 |
| D272              | Retainer, overdrive clutch A5GF1              | 1   | 06-11 | AE          | 72214-76403 |
| D273              | Retainer, w/springs overdrive clutch A5GF1    | 1   | 06-11 | AE          | 72214-76503 |
| D274              | Piston, overdrive clutch A5GF1                | 1   | 06-11 | AE          | 72214-76603 |
| D276              | Housing, overdrive clutch A5GF1               | 1   | 06-11 | AE          | 72214-76803 |
| D277              | Housing, reverse clutch A5GF1                 | 1   | 06-11 | AE          | 72214-77003 |
| D278              | Housing, cover end A5GF1                      | 1   | 06-11 | AE          | 72214-77503 |
| E280              | Differential w/spider gears A5GF1             | 1   | 06-11 | AE          | 72214-78003 |
| E281              | Gear, final drive ring A5GF1                  | 1   | 06-11 | AE          | 72214-78503 |
| E283              | Nut, direct planetary A5GF1                   | 1   | 06-11 | AE          | 72214-79003 |
| E284              | Gear, pinion final drive A5GF1                | 1   | 06-11 | AE          | 72214-79203 |
| E285              | Gear, park A5GF1                              | 1   | 06-11 | AE          | 72214-79503 |
| E286              | Gear, transfer driven A5GF1                   | 1   | 06-11 | AE          | 72214-79603 |
| E287              | Planetary, direct A5GF1                       | 1   | 06-11 | AE          | 72214-80103 |
| F289              | Retainer, direct clutch A5GF1                 | 1   | 06-11 | AE          | 72214-80503 |
| F290              | Retainer, w/springs direct clutch A5GF1       | 1   | 06-11 | AE          | 72214-80603 |
| F291              | Piston, direct clutch A5GF1                   | 1   | 06-11 | AE          | 72214-80703 |
| F292              | Housing, direct clutch A5GF1                  | 1   | 06-11 | AE          | 72214-80803 |
| F293              | Retainer, rear sprag A5GF1                    | 1   | 06-11 | AE          | 72214-81003 |
| F295              | Race, sprag outer rear A5GF1                  | 1   | 06-11 | AE          | 72214-81103 |
| G297              | Case, front half A5GF1                        | 1   | 06-11 | AE          | 72214-81203 |
| G310              | Case, main half A5GF1                         | 1   | 06-11 | AE          | 72214-82003 |
| G316              | Pan, side A5GF1                               | 1   | 06-11 | AE          | 72214-82503 |
| G335              | Valve body w/solenoids A5GF1                  | 1   | 06-11 | AE          | 72214-84003 |
|                   |   |     |       |             |             |
|                   |   |     |       |             |             |
|                   |   |     |       |             |             |
|                   |   |     |       |             |             |
|                   |   |     |       |             |             |
|                   |   |     |       |             |             |
|                   |   |     |       |             |             |





# FILTRAN



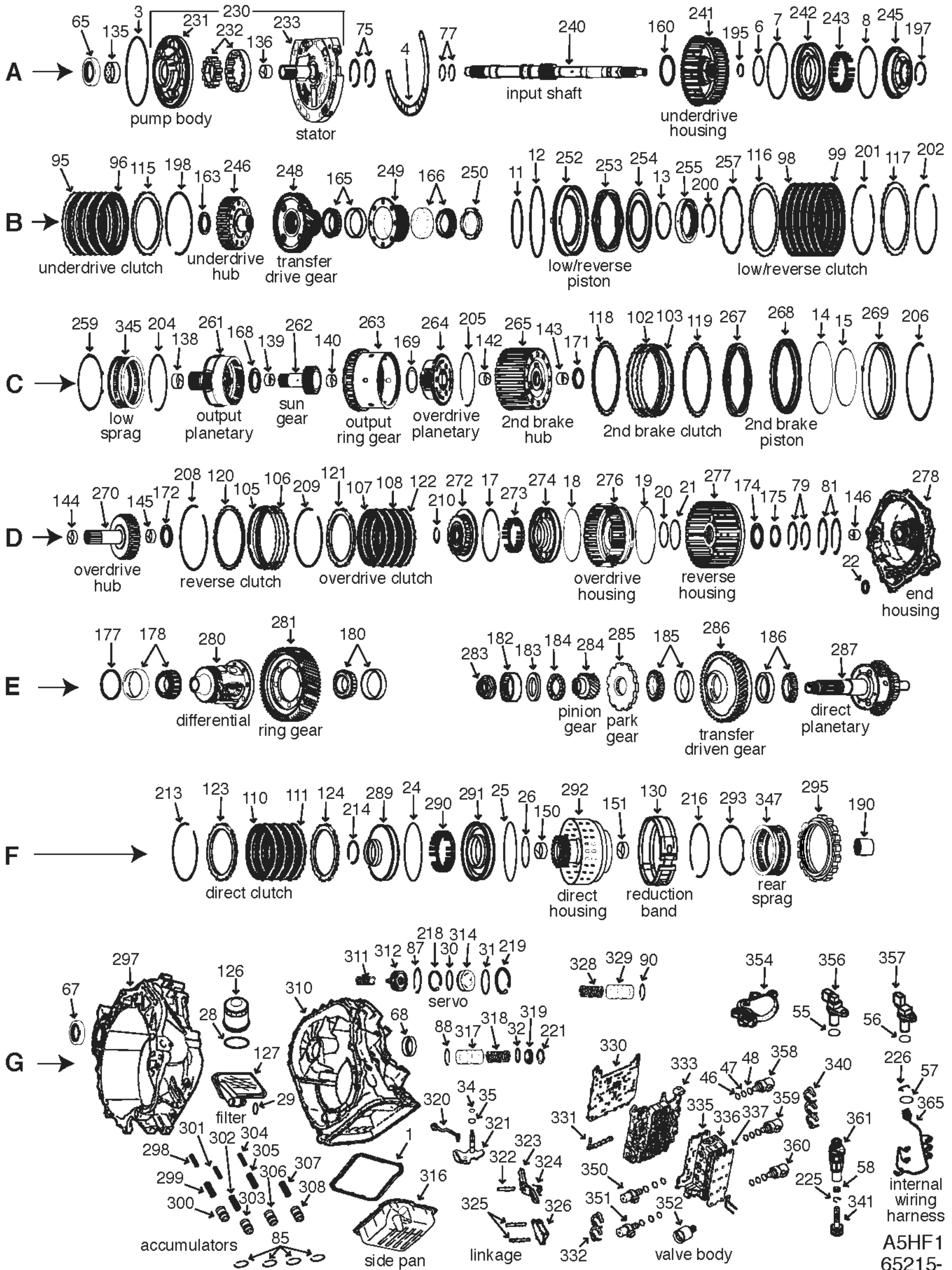
**Sealed Seam Zero Leak<sup>®</sup>**



**GoldStripe Sealing Rings<sup>®</sup>**



**TransJel<sup>®</sup>**



A5HF1  
65215-

| ILL                                  | DESCRIPTION                              | QTY                | YEAR | REFERENCE # | PART #          |             |
|--------------------------------------|--|--------------------|------|-------------|-----------------|-------------|
| <b>REBUILDER KITS</b>                |  |                    |      |             |                 |             |
| K5                                   | Master kit w/steels                      | A5HF1              | 1    | 06-10       | APC-124905      | 65215-11104 |
| K6                                   | Master kit w/o steels                    | A5HF1              | 1    | 06-10       | APC-124905LS    | 65215-12104 |
| K7                                   | O/H gasket set w/seals-rings             | A5HF1              | 1    | 06-10       | APC-124804      | 65215-13104 |
| <b>GASKETS AND RUBBER COMPONENTS</b> |  |                    |      |             |                 |             |
| G1                                   | Gasket, side pan                         | A5HF1              | 1    | 06-10       | n/a             | 65215-18004 |
| A3                                   | O'ring pump body                         | A5HF1              | 1    | 06-10       | n/a             | 65215-21004 |
| A4                                   | Gasket, pump support                     | A5HF1              | 1    | 06-10       | n/a             | 65215-28004 |
| <b>METAL CLAD SEALS</b>              |  |                    |      |             |                 |             |
| A65                                  | Seal, metal clad                         | pump body          | 1    | 06-10       | n/a             | 65215-30104 |
| A67                                  | Seal, metal clad                         | right axle         | 1    | 06-10       | n/a             | 65215-30204 |
| A68                                  | Seal, metal clad                         | left axle          | 1    | 06-10       | n/a             | 65215-30204 |
| <b>SEALING RINGS</b>                 |  |                    |      |             |                 |             |
| K10                                  | Kit, sealing ring                        | A5HF1              | 1    | 06-10       | n/a             | 65215-31504 |
| A75                                  | Sealing ring                             | pump stator        | 2    | 06-10       | n/a             | 65215-33204 |
| A77                                  | Sealing ring                             | input shaft        | 2    | 06-10       | n/a             | 65215-33404 |
| D79                                  | Sealing ring                             | overdrive housing  | 2    | 06-10       | n/a             | 65215-33604 |
| D81                                  | Sealing ring                             | reverse housing    | 2    | 06-10       | n/a             | 65215-33804 |
| <b>CLUTCH PLATES</b>                 |  |                    |      |             |                 |             |
| B95                                  | Steel .071" 4.850" id 20T                | underdrive clutch  | 4    | 06-10       | APC-124701      | 63122       |
| B96                                  | Friction .072" 5.728" od 30T             | underdrive clutch  | 4    | 06-10       | APC-124708B-183 | 65215-35104 |
| B98                                  | Friction .067" 7.030" od 30T             | low/reverse clutch | 7    | 06-10       | APC-124706      | 63115       |
| B99                                  | Steel .039" 6.294" id 16T                | low/reverse clutch | 5    | 06-10       | APC-APC-124707  | 63132       |
| B99                                  | Steel .095" 6.265" id 16T                | low/reverse clutch | 1    | 06-10       | APC-124707-240  | 65215-37704 |
| C102                                 | Friction, .093" 7.030" od 30T (internal) | 2nd brake clutch   | 3    | 06-10       | APC-124706B-235 | 65215-35304 |
| C103                                 | Friction .093" 7.030" od 16T (external)  | 2nd brake clutch   | 3    | 06-10       | APC-124707A-235 | 65215-35504 |
| C103                                 | Friction .074" 7.030" od 30T             | 2nd brake clutch   | 1    | 06-10       | APC-124702A-188 | 65215-35604 |
| D105                                 | Friction .070" 6.530" od 30T             | reverse clutch     | 2    | 06-10       | APC-124704A-178 | 65215-35704 |
| D106                                 | Steel .071" 6.031" id 20T                | reverse clutch     | 2    | 06-10       | APC124705       | 63125       |
| D107                                 | Friction .098" 5.827" od 30T (internal)  | overdrive clutch   | 3    | 06-10       | APC124708A-250  | 65215-35804 |
| D108                                 | Friction .093" 4.850" od 20T (external)  | overdrive clutch   | 3    | 06-10       | APC-124709A-250 | 65215-35904 |
| F110                                 | Friction .067" 4.900" od 30T             | direct clutch      | 3    | 06-10       | APC-124710-170  | 63117       |
| F111                                 | Steel .158" 3.470" id 20T                | direct clutch      | 3    | 06-10       | APC-1247761-400 | 65215-38504 |
| <b>PRESSURE PLATES</b>               |  |                    |      |             |                 |             |
| B115                                 | Pressure plate                           | underdrive clutch  | 1    | 06-10       | AE              | 65215-41103 |
| B166                                 | Pressure plate (apply)                   | low/reverse        | 1    | 06-10       | AE              | 65215-41503 |
| B117                                 | Pressure plate                           | low/reverse        | 1    | 06-10       | AE              | 65215-41903 |
| C118                                 | Pressure plate (apply)                   | 2nd brake clutch   | 1    | 06-10       | AE              | 65215-42203 |
| C119                                 | Pressure plate                           | 2nd brake clutch   | 1    | 06-10       | AE              | 65215-42503 |
| D120                                 | Pressure plate                           | reverse clutch     | 1    | 06-10       | AE              | 65215-42803 |
| D121                                 | Pressure plate                           | overdrive clutch   | 1    | 06-10       | AE              | 65215-43003 |
| D122                                 | Pressure plate (apply)                   | overdrive clutch   | 1    | 06-10       | AE              | 65215-43103 |
| F123                                 | Pressure plate                           | direct clutch      | 1    | 06-10       | AE              | 65215-43204 |
| F124                                 | Pressure plate (apply)                   | direct clutch      | 1    | 06-10       | AE              | 65215-43504 |
| <b>FILTERS</b>                       |  |                    |      |             |                 |             |
| G126                                 | Filter, oil cooler (screw-on)            | A5HF1              | 1    | 06-10       | n/a             | 65215-45104 |
| G127                                 | Filter, main                             | A5HF1              | 1    | 06-10       | 46321-39010     | 65215-45004 |
| <b>BANDS</b>                         |  |                    |      |             |                 |             |
| F130                                 | Band, reduction                          | A5HF1              | 1    | 06-10       | n/a             | 65215-47504 |
|                                      |  |                    |      |             |                 |             |
|                                      |  |                    |      |             |                 |             |
|                                      |  |                    |      |             |                 |             |
|                                      |  |                    |      |             |                 |             |



# A5HF1

A5HF1

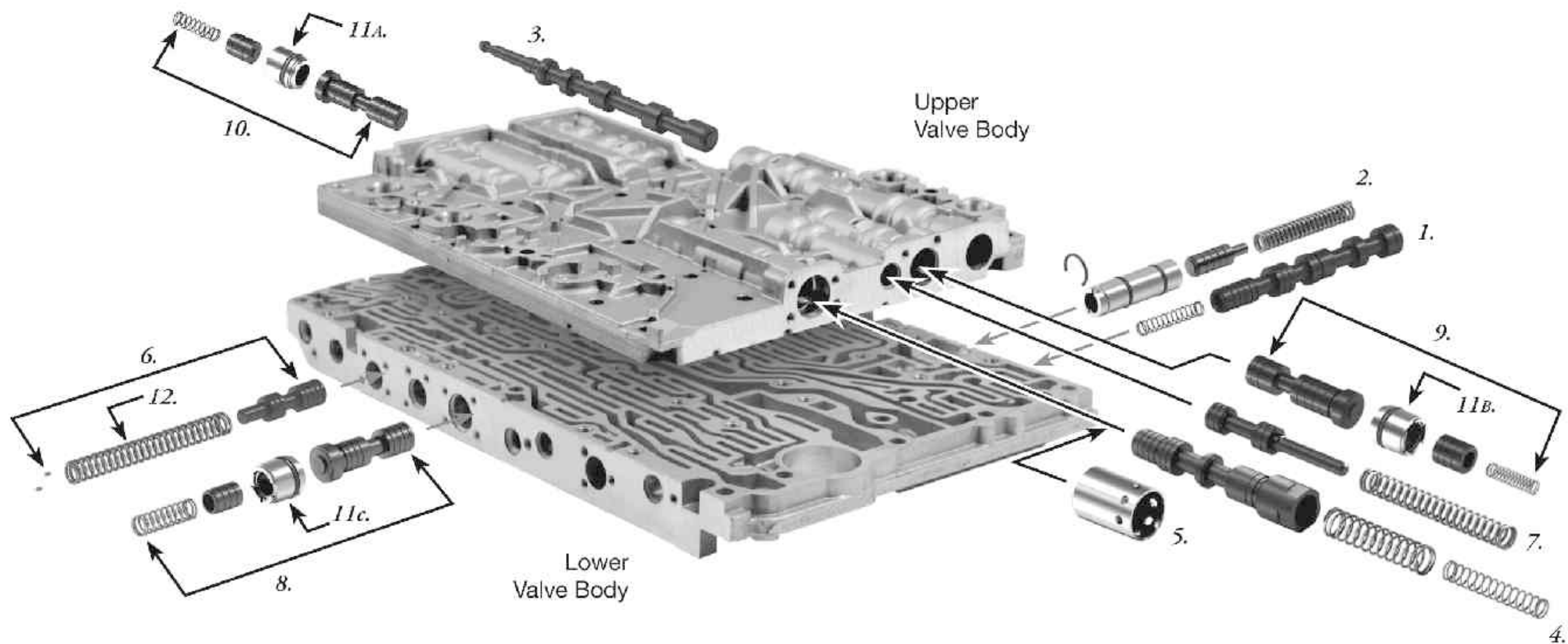
| ILL                                 | DESCRIPTION        | QTY                                  | YEAR | REFERENCE # | PART # |             |
|-------------------------------------|--------------------|--------------------------------------|------|-------------|--------|-------------|
| <b>BUSHINGS</b>                     |                    |                                      |      |             |        |             |
| K13                                 | Kit, bushing       | A5HF1                                | 1    | 06-10       | AE     | 65215-50104 |
| A135                                | Bushing            | pump body                            | 1    | 06-10       | n/a    | 65215-50604 |
| A136                                | Bushing            | stator support (front)               | 1    | 06-10       | n/a    | 65215-50704 |
| C138                                | Bushing            | output planetary (front)             | 1    | 06-10       | n/a    | 65215-50804 |
| C139                                | Bushing            | sun gear (front)                     | 1    | 06-10       | n/a    | 65215-51004 |
| C140                                | Bushing            | sun gear (rear)                      | 1    | 06-10       | n/a    | 65215-51004 |
| C142                                | Bushing            | 2nd brake hub (front)                | 1    | 06-10       | n/a    | 65215-51204 |
| C143                                | Bushing            | 2nd brake hub (rear)                 | 1    | 06-10       | n/a    | 65215-51204 |
| D144                                | Bushing            | overdrive hub (front)                | 1    | 06-10       | n/a    | 65215-51404 |
| D145                                | Bushing            | overdrive hub (rear)                 | 1    | 06-10       | n/a    | 65215-51404 |
| D146                                | Bushing            | end housing                          | 1    | 06-10       | n/a    | 65215-51504 |
| F150                                | Bushing            | direct housing (front)               | 1    | 06-10       | n/a    | 65215-51604 |
| F151                                | Bushing            | direct housing (rear)                | 1    | 06-10       | n/a    | 65215-51604 |
| <b>WASHERS/BEARINGS/RACES/SHIMS</b> |                    |                                      |      |             |        |             |
| A160                                | Washer, thrust     | underdrive housing to pump stator    | sel  | 06-10       | n/a    | 65215-56104 |
| B163                                | Bearing, thrust    | underdrive hub to underdrive housing | 1    | 06-10       | n/a    | 65215-56404 |
| B165                                | Bearing, cup/cone  | transfer support (front)             | 1    | 06-10       | n/a    | 65215-56504 |
| B166                                | Bearing, cup/cone  | transfer support (rear)              | 1    | 06-10       | n/a    | 65215-56604 |
| C168                                | Bearing, thrust    | sun gear to output planetary         | 1    | 06-10       | n/a    | 65215-56804 |
| C169                                | Bearing, thrust    | sun gear to overdrive planetary      | 1    | 06-10       | n/a    | 65215-57004 |
| C171                                | Bearing, thrust    | 2nd brake to overdrive hub           | 1    | 06-10       | n/a    | 65215-57204 |
| D172                                | Bearing, thrust    | overdrive hub to reverse housing     | 1    | 06-10       | n/a    | 65215-57404 |
| D174                                | Bearing, thrust    | reverse housing to end housing       | 1    | 06-10       | n/a    | 65215-57604 |
| D175                                | Race, thrust       | reverse housing to end housing       | 1    | 06-10       | n/a    | 65215-57904 |
| E178                                | Bearing, cup/cone  | differential (front)                 | 1    | 06-10       | n/a    | 65215-58104 |
| E180                                | Bearing, cup/cone  | differential (rear)                  | 1    | 06-10       | n/a    | 65215-58204 |
| E182                                | Bearing, caged     | pinion gear                          | 1    | 06-10       | n/a    | 65215-58304 |
| E183                                | Race, thrust       | pinion gear                          | 1    | 06-10       | n/a    | 65215-58504 |
| E184                                | Bearing, thrust    | pinion gear                          | 1    | 06-10       | n/a    | 65215-58604 |
| E185                                | Bearing, cup/cone  | driven transfer gear (front)         | 1    | 06-10       | n/a    | 65215-58804 |
| E186                                | Bearing, cup/cone  | driven transfer gear (rear)          | 1    | 06-10       | n/a    | 65215-58904 |
| F190                                | Bearing, caged     | direct planetary                     | 1    | 06-10       | n/a    | 65215-59204 |
| <b>SNAP RINGS</b>                   |                    |                                      |      |             |        |             |
| A195                                | Snap ring          | input shaft to underdrive housing    | 1    | 06-10       | AE     | 65215-62203 |
| A197                                | Snap ring          | underdrive spring retainer           | 1    | 06-10       | AE     | 65215-62303 |
| B198                                | Snap ring          | underdrive pressure plate            | 1    | 06-10       | AE     | 65215-62503 |
| B200                                | Snap ring          | low/reverse retainer                 | 1    | 06-10       | AE     | 65215-62703 |
| B201                                | Snap ring          | seat for low/reverse pressure plate  | 1    | 06-10       | AE     | 65215-62803 |
| B202                                | Snap ring          | low/reverse pressure plate           | 1    | 06-10       | AE     | 65215-62903 |
| C204                                | Snap ring          | output planetary to ring gear        | 1    | 06-10       | AE     | 65215-63003 |
| C205                                | Snap ring          | overdrive planetary to ring gear     | 1    | 06-10       | AE     | 65215-63203 |
| C206                                | Snap ring          | 2nd brake retainer                   | 1    | 06-10       | AE     | 65215-63403 |
| D208                                | Snap ring          | reverse pressure plate               | 1    | 06-10       | AE     | 65215-64003 |
| D209                                | Snap ring          | overdrive pressure plate             | 1    | 06-10       | AE     | 65215-64103 |
| D210                                | Snap ring          | overdrive retainer                   | 1    | 06-10       | AE     | 65215-64203 |
| F213                                | Snap ring          | direct pressure plate                | 1    | 06-10       | AE     | 65215-64803 |
| F214                                | Snap ring          | direct pressure retainer             | 1    | 06-10       | AE     | 65215-64903 |
| F216                                | Snap ring          | rear sprag                           | 1    | 06-10       | AE     | 65215-65003 |
| <b>PUMP PARTS AND PUMPS</b>         |                    |                                      |      |             |        |             |
| A230                                | Pump assembly      | A5HF1                                | 1    | 06-10       | AE     | 65215-67003 |
| A231                                | Body, pump w/gears | A5HF1                                | 1    | 06-10       | AE     | 65215-67503 |
| A232                                | Gears, pump        | A5HF1                                | 1    | 06-10       | n/a    | 65215-68104 |
| A233                                | Stator, pump       | A5HF1                                | 1    | 06-10       | AE     | 65215-68503 |

| ILL               | DESCRIPTION                                   | QTY | YEAR  | REFERENCE # | PART #      |
|-------------------|---|-----|-------|-------------|-------------|
| <b>HARD PARTS</b> |   |     |       |             |             |
| A240              | Shaft, input A5HF1                            | 1   | 06-10 | AE          | 65215-72103 |
| A241              | Housing, underdrive A5HF1                     | 1   | 06-10 | AE          | 65215-72303 |
| A242              | Piston, underdrive clutch A5HF1               | 1   | 06-10 | AE          | 65215-72503 |
| A243              | Retainer, w/springs (underdrive clutch) A5HF1 | 1   | 06-10 | AE          | 65215-72603 |
| A245              | Retainer, underdrive clutch A5HF1             | 1   | 06-10 | AE          | 65215-72703 |
| B246              | Hub, underdrive clutch A5HF1                  | 1   | 06-10 | AE          | 65215-72803 |
| B248              | Gear, transfer drive A5HF1                    | 1   | 06-10 | AE          | 65215-73003 |
| B249              | Housing, transfer drive gear A5HF1            | 1   | 06-10 | AE          | 65215-73403 |
| B250              | Nut, transfer drive gear A5HF1                | 1   | 06-10 | AE          | 65215-73503 |
| B252              | Piston, low/reverse clutch A5HF1              | 1   | 06-10 | AE          | 65215-73603 |
| B253              | Spring, low/reverse clutch return A5HF1       | 1   | 06-10 | AE          | 65215-73703 |
| B254              | Retainer, spring guide low/reverse            | 1   | 06-10 | AE          | 65215-73803 |
| B255              | Race, inner low sprag A5HF1                   | 1   | 06-10 | AE          | 65215-73903 |
| C259              | Retainer, low sprag A5HF1                     | 1   | 06-10 | AE          | 65215-74003 |
| C261              | Planetary, output A5HF1                       | 1   | 06-10 | AE          | 65215-74203 |
| C262              | Gear, output planetary sun A5HF1              | 1   | 06-10 | AE          | 65215-74503 |
| C263              | Gear, output ring A5HF1                       | 1   | 06-10 | AE          | 65215-74903 |
| C264              | Planetary, overdrive A5HF1                    | 1   | 06-10 | AE          | 65215-75304 |
| C265              | Hub, 2nd brake w/sun gear A5HF1               | 1   | 06-10 | AE          | 65215-75603 |
| C267              | Spring, 2nd brake clutch return A5HF1         | 1   | 06-10 | AE          | 65215-75803 |
| C268              | Piston, 2nd brake clutch A5HF1                | 1   | 06-10 | AE          | 65215-75903 |
| C269              | Retainer, 2nd brake clutch A5HF1              | 1   | 06-10 | AE          | 65215-76003 |
| D270              | Hub, overdrive clutch A5HF1                   | 1   | 06-10 | AE          | 65215-76204 |
| D272              | Retainer, overdrive clutch A5HF1              | 1   | 06-10 | AE          | 65215-76403 |
| D273              | Retainer, w/springs overdrive clutch A5HF1    | 1   | 06-10 | AE          | 65215-76503 |
| D274              | Piston, overdrive clutch A5HF1                | 1   | 06-10 | AE          | 65215-76603 |
| D276              | Housing, overdrive clutch A5HF1               | 1   | 06-10 | AE          | 65215-76803 |
| D277              | Housing, reverse clutch A5HF1                 | 1   | 06-10 | AE          | 65215-77003 |
| D278              | Housing, cover end A5HF1                      | 1   | 06-10 | AE          | 65215-77503 |
| E280              | Differential w/spider gears A5HF1             | 1   | 06-10 | AE          | 65215-78003 |
| E281              | Gear, final drive ring A5HF1                  | 1   | 06-10 | AE          | 65215-78503 |
| E283              | Nut, direct planetary A5HF1                   | 1   | 06-10 | AE          | 65215-79003 |
| E284              | Gear, pinion final drive A5HF1                | 1   | 06-10 | AE          | 65215-79203 |
| E285              | Gear, park A5HF1                              | 1   | 06-10 | AE          | 65215-79503 |
| E286              | Gear, transfer driven A5HF1                   | 1   | 06-10 | AE          | 65215-79603 |
| E287              | Planetary, direct A5HF1                       | 1   | 06-10 | AE          | 65215-80103 |
| F289              | Retainer, direct clutch A5HF1                 | 1   | 06-10 | AE          | 65215-80503 |
| F290              | Retainer, w/springs direct clutch A5HF1       | 1   | 06-10 | AE          | 65215-80603 |
| F291              | Piston, direct clutch A5HF1                   | 1   | 06-10 | AE          | 65215-80703 |
| F292              | Housing, direct clutch A5HF1                  | 1   | 06-10 | AE          | 65215-80803 |
| F293              | Retainer, rear sprag A5HF1                    | 1   | 06-10 | AE          | 65215-81003 |
| F295              | Race, sprag outer rear A5HF1                  | 1   | 06-10 | AE          | 65215-81103 |
| G297              | Case, front half A5HF1                        | 1   | 06-10 | AE          | 65215-81203 |
| G310              | Case, main half A5HF1                         | 1   | 06-10 | AE          | 65215-82003 |
| G316              | Pan, side A5HF1                               | 1   | 06-10 | AE          | 65215-82503 |
| G335              | Valve body w/solenoids A5HF1                  | 1   | 06-10 | AE          | 65215-84003 |
|                   |   |     |       |             |             |
|                   |   |     |       |             |             |
|                   |   |     |       |             |             |
|                   |   |     |       |             |             |
|                   |   |     |       |             |             |
|                   |   |     |       |             |             |
|                   |   |     |       |             |             |
|                   |   |     |       |             |             |





# 12 Sonnax Kits for Mercedes 722.6



Sonnax

| PROBLEM  | SOLUTION  | Tool Required         | Part Number  |
|--|---|-----------------------|--|
| <ul style="list-style-type: none"> <li>• Converter apply &amp; release complaints</li> <li>• Converter codes, Lube failures</li> </ul> | <b>1. TC Lockup Clutch Regulator Valve Kit</b>  | F-68942-TL10 & VB-FIX | <b>68942-10K</b>                                       |
| <ul style="list-style-type: none"> <li>• Harsh lockup</li> </ul>   | <b>2. TCC Damper Valve &amp; Sleeve Kit</b>   |                       | <b>68942-23K</b>                                       |
| <ul style="list-style-type: none"> <li>• Reduced line pressure</li> <li>• Delayed engagements</li> </ul>                               | <b>3. Oversized Manual Valve</b>  | F-68942-TL16 & VB-FIX | <b>68942-16</b>  |
| <ul style="list-style-type: none"> <li>• Loss of 2-3, 4-3 neutral</li> <li>• Soft shifts under acceleration</li> </ul>                 | <b>4. Pressure Regulator Valve Kit</b>  | F-68942-TL7 & VB-FIX  | <b>68942-07K</b>                                       |
| <ul style="list-style-type: none"> <li>• Loss of 2-3, 4-3 neutral</li> <li>• Soft shifts under acceleration</li> </ul>                 | <b>5. Outer Pressure Regulator Sleeve</b><br>(Repairs outer bore only)  | F-68942-TL6 & VB-FIX  | <b>68942-06</b>  |
| <ul style="list-style-type: none"> <li>• Delayed engagements</li> <li>• Upshift/Downshift flares</li> </ul>                            | <b>6. Oversized Regulating Valve Pressure Control Valve Kit</b> (Early & Late Units)                                | F-68942-TL14 & VB-FIX | <b>68942-17K</b>                                       |
| <ul style="list-style-type: none"> <li>• Delayed engagements</li> <li>• Poor performance/higher stall speeds</li> </ul>                | <b>7. Lubricating Pressure Control Valve Kit</b>  | F-68942-TL14 & VB-FIX | <b>68942-14K</b>                                       |
| <ul style="list-style-type: none"> <li>• Harsh/Flare/Cycling of 1-2/4-5 shifts</li> <li>• Slipping gears</li> </ul>                    | <b>8. 1-2, 4-5 Overlap Control Valve Kit</b>  | F-68942-TL19 & VB-FIX | <b>68942-19K</b>                                       |
| <ul style="list-style-type: none"> <li>• Harsh/Bumpy/Flare 2-3 shifts</li> <li>• Slipping gears</li> </ul>                             | <b>9. 2-3 Overlap Control Valve Kit</b>   | F-68942-TL27 & VB-FIX | <b>68942-27K</b>                                       |
| <ul style="list-style-type: none"> <li>• Harsh/Bumpy/Flare 3-4 shifts</li> <li>• Slipping gears</li> </ul>                             | <b>10. 3-4 Overlap Control Valve Kit</b>  | F-68942-TL31 & VB-FIX | <b>68942-31K</b>                                       |
| <ul style="list-style-type: none"> <li>• Harsh/Bumpy/Flare shifts</li> <li>• Slipping gears</li> </ul>                                 | <b>11. Overlap Control Valve Sleeve Kit</b><br>*(Also sold separately: 11a. 68942-02, 11b. 68942-03, 11c. 68942-04) |                       | <b>68942-05K*</b><br><i>This kit fits 3 locations!</i> |
| <ul style="list-style-type: none"> <li>• Delayed engagements</li> <li>• Flare 2-3, 3-4 or 4-5 shifts</li> </ul>                        | <b>12. Solenoid Pressure Regulator Spring</b><br>(*99-Earlier Units)  |                       | <b>68942-01</b>  |

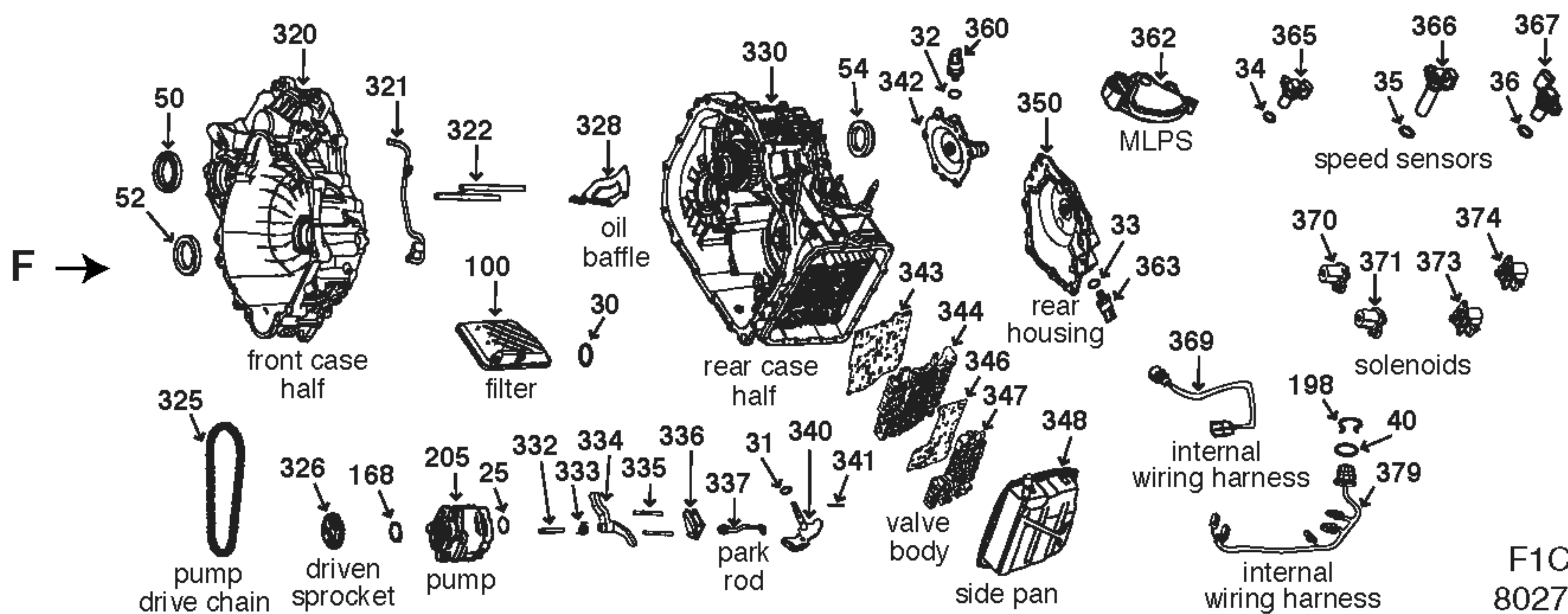
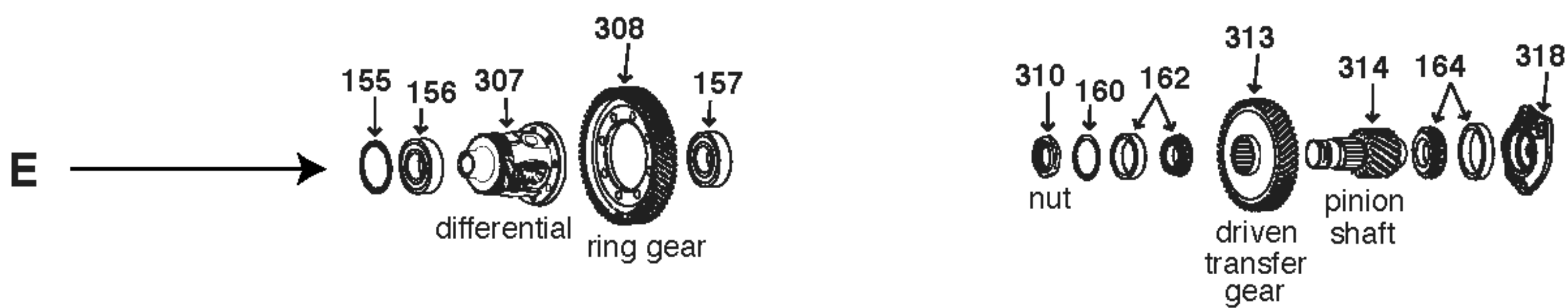
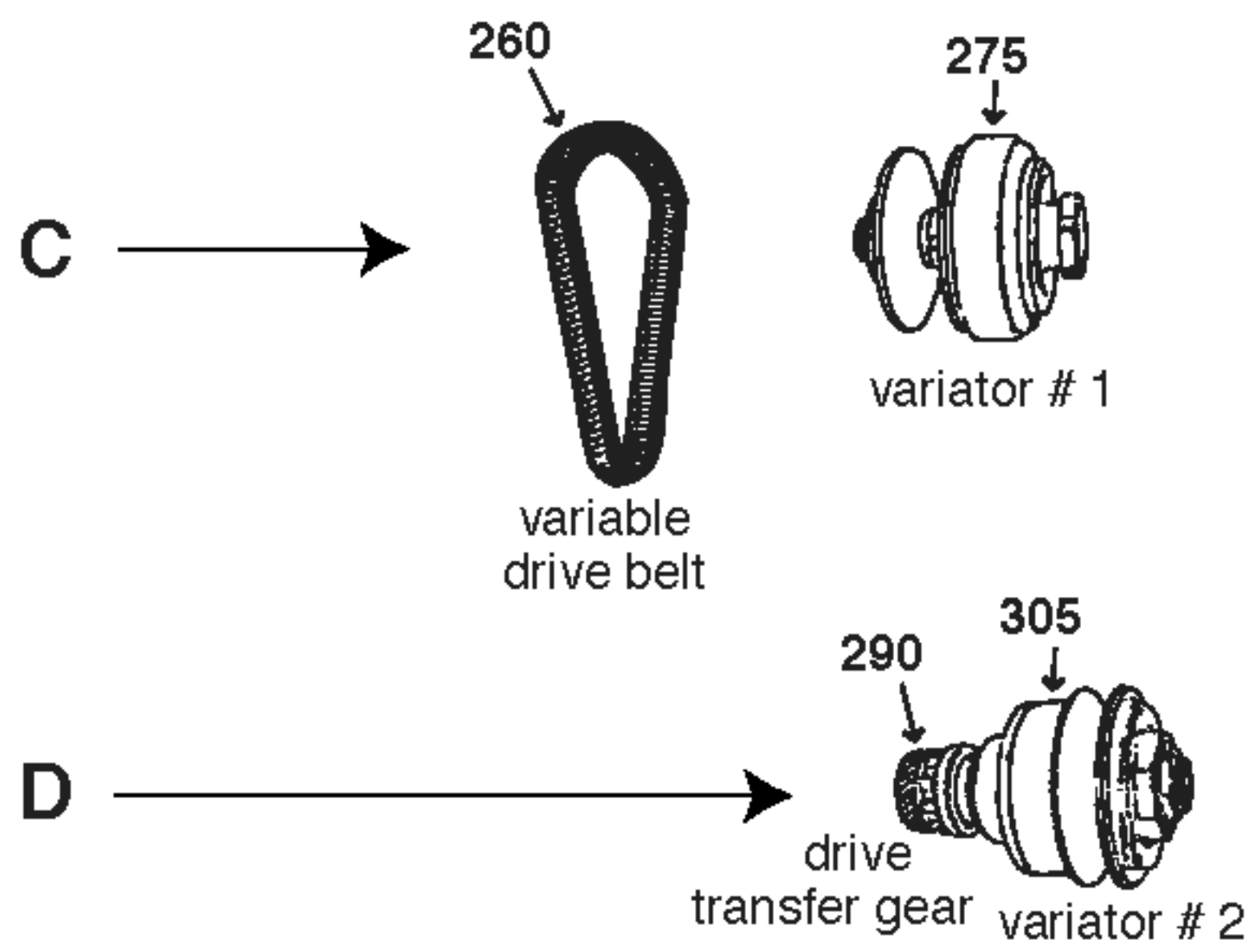
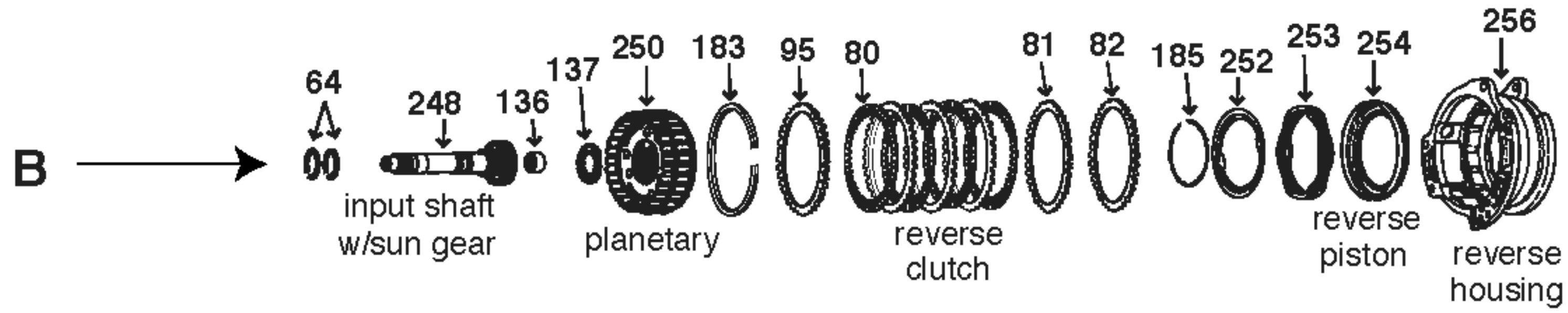
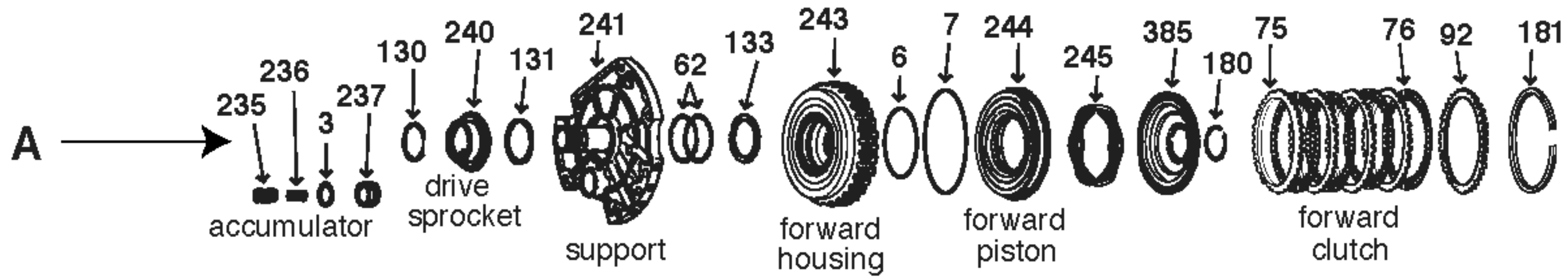
**sonnax**<sup>®</sup>  
TIME TESTED • INDUSTRY TRUSTED<sup>®</sup>

1 Automatic Drive • P.O. Box 440 • Bellows Falls, VT 05101-0440 USA • 800-843-2600 • 802-463-9722 • F: 802-463-4059 • www.sonnax.com

©2010 Sonnax Industries, Inc.

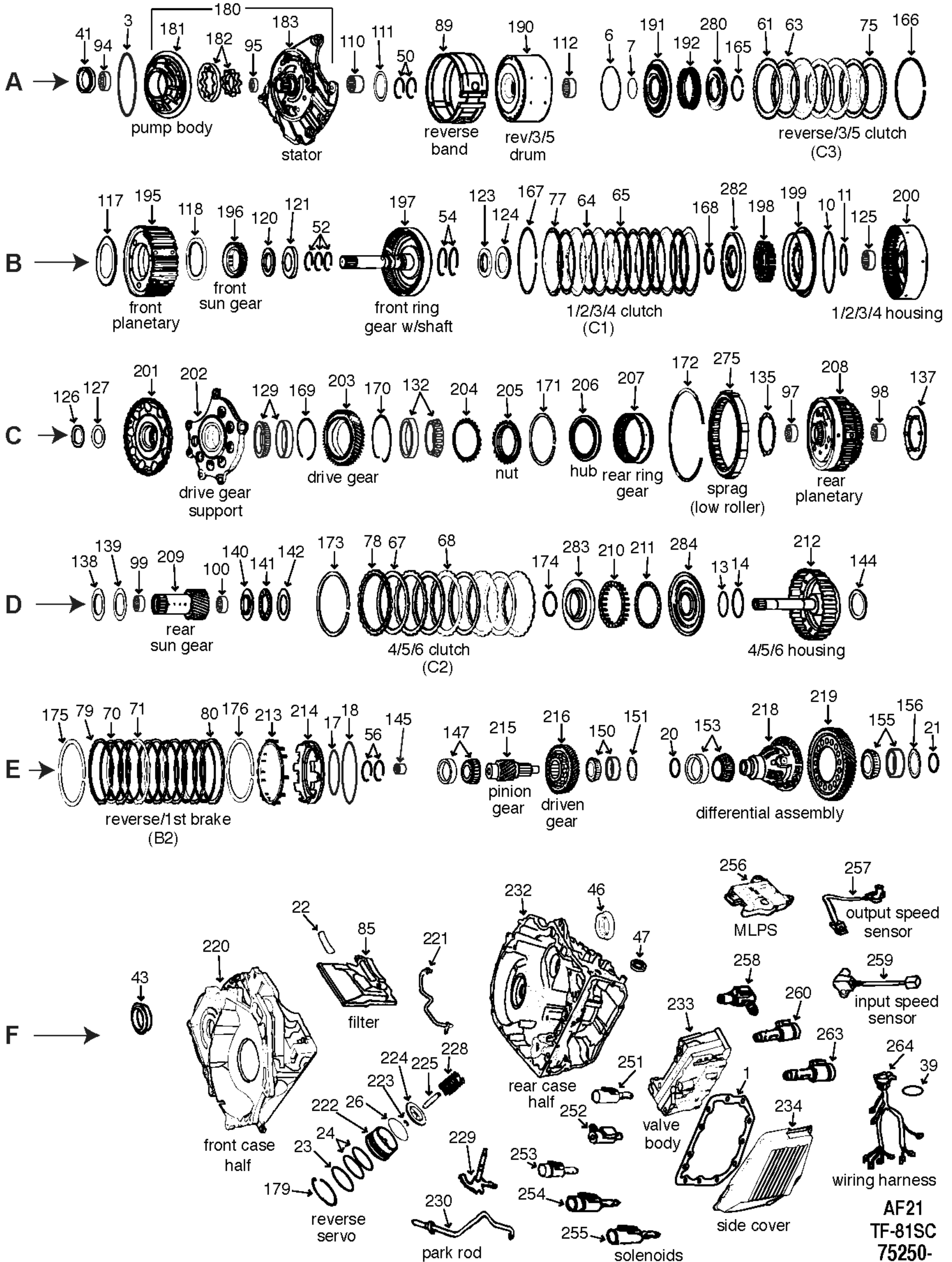






F1C1  
80271-





| ILL                                  | DESCRIPTION   | QTY | YEAR  | REFERENCE # | PART #      |
|--------------------------------------|---|-----|-------|-------------|-------------|
| <b>TECHNICAL MANUALS</b>             |   |     |       |             |             |
| K53                                  | Tech manual TF-81SC dis/assembly diagnosis & troubleshooting          | 1   | 05-11 | n/a         | 010-489     |
| <b>REBUILDER KITS</b>                |   |     |       |             |             |
| K5                                   | Master kit w/steels w/pistons   | 1   | 05-11 | AE          | 75250-11004 |
| K5                                   | Master kit w/steels w/o pistons                                       | 1   | 05-11 | AE          | 75250-11104 |
| K6                                   | Master kit w/o steels w/pistons                                       | 1   | 05-11 | AE          | 75250-12004 |
| K6                                   | Master kit w/o steels w/o pistons                                     | 1   | 05-11 | AE          | 75250-12104 |
| K7                                   | O/H gasket set w/seals-rings w/pistons                                | 1   | 05-11 | AE          | 75250-13004 |
| K7                                   | O/H gasket set w/seals-rings w/o pistons                              | 1   | 05-11 | DP2511      | 75250-13104 |
| <b>VALVE BODY KITS</b>               |   |     |       |             |             |
| K15                                  | Kit, valve body repair TF-81SC  | 1   | 05-11 | SK® AWF21   | 75250-17009 |
| <b>GASKETS AND RUBBER COMPONENTS</b> |   |     |       |             |             |
| F1                                   | Gasket, oil pan AF21-B (Asin Warner)                                  | 1   | 05-11 | B11521      | 75250-19104 |
| A3                                   | O'ring pump body  | 1   | 05-11 | n/a         | 75250-21004 |
| E20                                  | O'ring differential housing to axle shaft                             | 1   | 05-11 | n/a         | 75250-23004 |
| E21                                  | O'ring differential housing to axle shaft                             | 1   | 05-11 | n/a         | 75250-23004 |
| F23                                  | O'ring reverse servo cover  | 1   | 05-11 | n/a         | 75250-23504 |
| F24                                  | O'ring reverse servo cover  | 1   | 05-11 | n/a         | 75250-23603 |
| F26                                  | O'ring reverse servo piston   | 1   | 05-11 | n/a         | 75250-23704 |
| <b>METAL CLAD SEALS</b>              |   |     |       |             |             |
| A41                                  | Seal, metal clad pump seal  | 1   | 05-11 | B37082      | 75250-30004 |
| A43                                  | Seal, metal clad Ford/Mercury (right axle)                            | 1   | 05-11 | B37083      | 15250-30104 |
| A43                                  | Seal, metal clad Mazda (right axle)                                   | 1   | 06-11 | B37079      | 75250-30204 |
| A46                                  | Seal, metal clad Ford/Mercury (left axle)                             | 1   | 05-11 | B37084      | 15250-30304 |
| A46                                  | Seal, metal clad Mazda (left axle)                                    | 1   | 06-11 | B37080      | 75250-30404 |
| A47                                  | Seal, metal clad 12x22x7mm manual shift shaft                         | 1   | 05-11 | n/a         | 46202       |
| <b>SEALING RINGS</b>                 |   |     |       |             |             |
| K10                                  | Kit, sealing ring TF-81SC   | 1   | 05-11 | n/a         | 75250-31504 |
| A50                                  | Sealing ring pump support   | 2   | 05-11 | n/a         | 75250-33104 |
| B52                                  | Sealing ring turbine shaft (front)                                    | 3   | 05-11 | n/a         | 75250-33204 |
| B54                                  | Sealing ring turbine shaft (rear)                                     | 2   | 05-11 | n/a         | 75250-33304 |
| E56                                  | Sealing ring main case half   | 2   | 05-11 | n/a         | 75250-33404 |
| <b>CLUTCH PLATES</b>                 |   |     |       |             |             |
| A61                                  | Steel .091" 5.557" id 36T (sets of 2) reverse/3rd/5th clutch (C3)     | 4   | 05-11 | 197705-230  | 97251-37504 |
| A63                                  | Friction .067" 6.523" od 54T reverse/3rd/5th clutch (C3)              | 4   | 05-11 | 197704-170  | 97251-35104 |
| B64                                  | Friction .067" 6.186" od 54T 1st/2nd/3rd/4th clutch (C1)              | 6   | 05-11 | 197700-170  | 97251-35204 |
| B65                                  | Steel .071" 5.558" id 40T 1st/2nd/3rd/4th clutch (C1)                 | 6   | 05-11 | 197701-180  | 97251-37604 |
| D67                                  | Friction .067" 6.293" od 55T 4th/5th/6th clutch (C2)                  | 3   | 05-11 | 197702-170  | 97251-35304 |
| D68                                  | Steel .071" 5.637" id 36T 4th/5th/6th clutch (C2)                     | 3   | 05-11 | 197703-180  | 97251-37704 |
| E70                                  | Friction .067" 7.306" od 60T reverse/1st engine brake (B2)            | 6   | 05-11 | 197706-170  | 97251-35404 |
| E71                                  | Steel .071" 6.811" id 14T (sets of 2) reverse/1st engine brake (B2)   | 5   | 05-11 | 197707-180  | 97251-37804 |
| <b>PRESSURE PLATES</b>               |   |     |       |             |             |
| A75                                  | Pressure plate 36T (stepped) reverse/3rd/5th clutch (C3)              | 1   | 05-11 | AE          | 97251-41103 |
| B77                                  | Pressure plate 40T (stepped) 1st/2nd/3rd/4th clutch (C1)              | 1   | 05-11 | AE          | 97251-41503 |
| E78                                  | Pressure plate 36T (stepped) 4th/5th/6th clutch (C2)                  | 1   | 05-11 | AE          | 97251-42003 |
| E79                                  | Pressure plate 14T (backing)(sets of 2) reverse/1st engine brake (B2) | 1   | 05-11 | AE          | 97251-42503 |
| E80                                  | Pressure plate 14T (apply)(sets of 2) reverse/1st engine brake (B2)   | 1   | 05-11 | AE          | 97251-43003 |
| <b>FILTERS</b>                       |   |     |       |             |             |
| F85                                  | Filter TF-81SC (mounts on pump support)                               | 1   | 05-11 | APC-197940  | 97251-45004 |
|                                      |   |     |       |             |             |
|                                      |   |     |       |             |             |
|                                      |   |     |       |             |             |
|                                      |   |     |       |             |             |



# TF-81SC•AF21-B•AF21•AW6A-EL•AM6

TF-81SC•AF21•AW6A-EL•AM6

| ILL                                 | DESCRIPTION   | QTY | YEAR  | REFERENCE # | PART #      |
|-------------------------------------|---|-----|-------|-------------|-------------|
| <b>BANDS</b>                        |   |     |       |             |             |
| A89                                 | Band TF-81SC  | 1   | 05-11 | n/a         | 75250-47504 |
| <b>BUSHINGS</b>                     |   |     |       |             |             |
| K13                                 | Kit, bushing TF-81-SC   | 1   | 05-11 | n/a         | 75250-50104 |
| A94                                 | Bushing, dimpled pump body  | 1   | 05-11 | n/a         | 75250-50604 |
| A95                                 | Bushing, dimpled pump stator (front)  | 1   | 05-11 | n/a         | 75250-50704 |
| C97                                 | Bushing, dimpled rear planetary (front)   | 1   | 05-11 | n/a         | 75250-51004 |
| C98                                 | Bushing, dimpled rear planetary (rear)  | 1   | 05-11 | n/a         | 75250-51104 |
| D99                                 | Bushing, dimpled rear sun gear (front)  | 1   | 05-11 | n/a         | 75250-51204 |
| D99                                 | Bushing, dimpled rear sun gear (rear)   | 1   | 05-11 | n/a         | 75250-51204 |
| <b>WASHERS/BEARINGS/RACES/SHIMS</b> |   |     |       |             |             |
| A110                                | Bearing, caged pump support (rear)  | 1   | 05-11 | n/a         | 75250-56104 |
| A111                                | Washer, thrust .046" 2.057" od (1 tab) pump support to reverse drum (plastic)     | 1   | 05-11 | n/a         | 75250-56204 |
| A112                                | Bearing, caged reverse drum   | 1   | 05-11 | n/a         | 75250-56504 |
| B117                                | Washer, thrust .138" 3.800" od (3 tabs) frt planetary to balance piston (plastic) | 1   | 05-11 | n/a         | 75250-57104 |
| B118                                | Washer, thrust .053" 3.346" od (3 tabs) front planetary to ring gear              | 1   | 05-11 | n/a         | 75250-57304 |
| B120                                | Bearing, thrust .070" 2.400" od front sun gear to ring gear                       | 1   | 05-11 | n/a         | 75250-57504 |
| B121                                | Race, thrust .040" 2.700" od front sun gear to ring gear (outside lip)            | 1   | 05-11 | n/a         | 75250-57604 |
| B123                                | Bearing, thrust .110" 2.065" od ring gear to housing                              | 1   | 05-11 | n/a         | 75250-57704 |
| B124                                | Race, thrust .059" 1.902" od ring gear to housing                                 | 1   | 05-11 | n/a         | 75250-57804 |
| B125                                | Bearing, caged 1/2/3/4 housing  | 1   | 05-11 | n/a         | 75250-57904 |
| C126                                | Bearing, thrust .110" 1.885" od flange to housing                                 | 1   | 05-11 | n/a         | 75250-58004 |
| C127                                | Race, thrust .060" 1.843" od flange to housing                                    | 1   | 05-11 | n/a         | 75250-58104 |
| C126                                | Bearing, cup/cone drive transfer gear   | 1   | 05-11 | n/a         | 75250-58204 |
| C132                                | Bearing, cup/cone drive transfer gear   | 1   | 05-11 | n/a         | 75250-58204 |
| C135                                | Washer, thrust .048" 3.140" od (3 tabs) rear planetary to transfer nut            | 1   | 05-11 | n/a         | 75250-58704 |
| C137                                | Washer, thrust .120" 4.107" od (6 tabs) rear planetary to housing (plastic)       | 1   | 05-11 | n/a         | 75250-59004 |
| D138                                | Bearing, thrust .130" 1.910" od sun gear to rear planetary                        | 1   | 05-11 | n/a         | 75250-59104 |
| D139                                | Race, thrust .032" 1.889" od sun gear to rear planetary                           | 1   | 05-11 | n/a         | 75250-59204 |
| D140                                | Race, thrust .032" 1.713" od sun gear to housing (inside lip)                     | 1   | 05-11 | n/a         | 75250-59304 |
| D141                                | Bearing, thrust .138" 1.716" od sun gear to housing                               | 1   | 05-11 | n/a         | 75250-59404 |
| D142                                | Race, thrust .032" 1.635" od sun gear to housing                                  | 1   | 05-11 | n/a         | 75250-59504 |
| D144                                | Bearing, thrust .162" 2.922" od housing to main case half                         | 1   | 05-11 | n/a         | 75250-59604 |
| E145                                | Bearing, caged w/seal case to housing   | 1   | 05-11 | DB501608W   | 75250-59804 |
| E147                                | Bearing, cup/cone pinion gear (pinion gear side)                                  | 1   | 05-11 | n/a         | 75250-59904 |
| E150                                | Bearing, cup/cone pinion gear (transfer gear side)                                | 1   | 05-11 | n/a         | 75250-60104 |
| E151                                | Washer, shim pinion gear (transfer gear side)                                     | sel | 05-11 | n/a         | 75250-60204 |
| E153                                | Bearing, cup/cone differential housing  | 1   | 05-11 | n/a         | 75250-60304 |
| E155                                | Bearing, cup/cone differential housing  | 1   | 05-11 | n/a         | 75250-60304 |
| E156                                | Washer, shim differential housing   | sel | 05-11 | n/a         | 75250-60504 |
| <b>SNAP RINGS</b>                   |   |     |       |             |             |
| A165                                | Snap ring .060" 2.550" od reverse/3/5 retainer                                    | 1   | 05-11 | AE          | 75250-62203 |
| A166                                | Snap ring .064" 7" od reverse/3/5 pressure plate                                  | 1   | 05-11 | AE          | 75250-62503 |
| B167                                | Snap ring .064" 6.750" od 1/2/3/4 clutch pressure plate                           | 1   | 05-11 | AE          | 75250-62803 |
| B168                                | Snap ring .060" 2.100" od 1/2/3/4 clutch retainer                                 | 1   | 05-11 | AE          | 75250-63003 |
| C169                                | Snap ring seat for drive gear bearing cups  | 1   | 05-11 | AE          | 75250-63203 |
| C170                                | Snap ring .065" 4.584" od drive gear to ring gear hub                             | 1   | 05-11 | AE          | 75250-63303 |
| C171                                | Snap ring .048" 5.057" od hub in rear ring gear                                   | 1   | 05-11 | AE          | 75250-63403 |
| C172                                | Snap ring .046" 8.005" od low sprag in case                                       | 1   | 05-11 | AE          | 75250-63503 |
| D173                                | Snap ring .063" 6.075" od 4/5/6 pressure plate                                    | 1   | 05-11 | AE          | 75250-64003 |
| D175                                | Snap ring .049" 2.096" od 4/5/6 retainer  | 1   | 05-11 | AE          | 75250-64203 |
| E175                                | Snap ring .048" 8" od reverse/1 brake pressure plate                              | 1   | 05-11 | AE          | 75250-64403 |
| E176                                | Snap ring .084" 7.670" od reverse/1 brake retainer                                | 1   | 05-11 | AE          | 75250-64603 |
| F179                                | Snap ring .074" 2.593" od reverse servo cover                                     | 1   | 05-11 | AE          | 75250-65003 |

# TF-81SC•AF21-B•AF21•AW6A-EL•AM6

TF-81SC•AF21•AW6A-EL•AM6

| ILL                         | DESCRIPTION  | QTY | YEAR  | REFERENCE # | PART #      |
|-----------------------------|--|-----|-------|-------------|-------------|
| <b>PUMP PARTS AND PUMPS</b> |  |     |       |             |             |
| A180                        | Pump assembly TF-81SC                                      | 1   | 05-11 | AE          | 75250-67003 |
| <b>HARD PARTS</b>           |  |     |       |             |             |
| A190                        | Drum, reverse casting #BB25D1011                           | 1   | 05-11 | AE          | 75250-72103 |
| A191                        | Piston, reverse/3/5 clutch steel                           | 1   | 05-11 | AE          | 75250-72303 |
| A192                        | Retainer, w/26 springs reverse/3/5 clutch                  | 1   | 05-11 | AE          | 75250-72403 |
| B195                        | Planetary, front (3 pinions 17T) TF-81SC (no id grooves)   | 1   | 05-11 | AE          | 75250-72603 |
| B196                        | Gear, front sun 45T (40 splines) TF-81SC (no id grooves)   | 1   | 05-11 | AE          | 75250-72803 |
| B197                        | Gear, front ring w/shaft 81T TF-81SC (no id grooves)       | 1   | 05-11 | AE          | 75250-73003 |
| B198                        | Retainer, w/25 springs 1/2/3/4 clutch                      | 1   | 05-11 | AE          | 75250-73303 |
| B199                        | Piston, 1/2/3/4 clutch steel                               | 1   | 05-11 | AE          | 75250-73403 |
| B200                        | Housing, 1/2/3/4 clutch TF-81SC                            | 1   | 05-11 | AE          | 75250-73803 |
| C201                        | Hub, 1/2/3/4 housing drive TF-81SC (40 splines)            | 1   | 05-11 | AE          | 75250-74003 |
| C202                        | Support, drive gear TF-81SC                                | 1   | 05-11 | AE          | 75250-74103 |
| C203                        | Gear, drive 51T (72 splines) TF-81SC (no id grooves)       | 1   | 05-11 | AE          | 75250-74303 |
| C204                        | Retainer, nut lock TF-81SC                                 | 1   | 05-11 | AE          | 75250-74503 |
| C205                        | Nut, drive gear TF-81SC                                    | 1   | 05-11 | AE          | 75250-74803 |
| C206                        | Hub, drive gear 72 external splines/72 internal splines    | 1   | 05-11 | AE          | 75250-75003 |
| C207                        | Gear, rear ring 72T TF-81SC                                | 1   | 05-11 | AE          | 75250-75203 |
| C208                        | Planetary, rear (3-pinion gears) inner 17T/outer 18T       | 1   | 05-11 | AE          | 75250-75503 |
| D209                        | Gear, rear sun 27T (32 splines) TF-81SC                    | 1   | 05-11 | AE          | 75250-75703 |
| D210                        | Retainer, w/28 springs 4/5/6 clutch                        | 1   | 05-11 | AE          | 75250-76003 |
| D211                        | Retainer, seat (for springs) 4/5/6 clutch                  | 1   | 05-11 | AE          | 75250-76103 |
| D212                        | Housing, 4/5/6 clutch w/shaft TF-81SC                      | 1   | 05-11 | AE          | 75250-76403 |
| E213                        | Retainer, w/14 springs reverse/1 brake clutch              | 1   | 05-11 | AE          | 75250-76603 |
| E214                        | Piston, reverse/1 brake clutch aluminum                    | 1   | 05-11 | AE          | 75250-76703 |
| E215                        | Gear, pinion gear 15T (30 splines) TF-81SC (6.660" length) | 1   | 05-11 | AE          | 75250-77003 |
| E216                        | Gear, driven w/park gear 50T TF-81SC                       | 1   | 05-11 | AE          | 75250-77303 |
| E218                        | Differential assembly (w/spider gears) TF-81SC             | 1   | 05-11 | AE          | 75250-77503 |
| E219                        | Gear, final ring 1.735" 53T TF-81SC                        | 1   | 05-11 | AE          | 75250-78003 |
| F220                        | Housing, front TF-81SC                                     | 1   | 05-11 | AE          | 75250-78203 |
| F229                        | Lever, shift shaft (rooster cone) TF-81SC                  | 1   | 05-11 | AE          | 75250-79003 |
| F230                        | Rod, park TF-81SC  | 1   | 05-11 | AE          | 75250-79103 |
| F232                        | Housing, main case TF-81SC                                 | 1   | 05-11 | AE          | 75250-80103 |
| F233                        | Valve body w/solenoids TF-81SC                             | 1   | 05-11 | AE          | 75250-80503 |
| F234                        | Pan, side cover TF-81SC                                    | 1   | 05-11 | AE          | 75250-80703 |
| F222                        | Cover, reverse servo TF-81SC                               | 1   | 05-11 | AE          | 75250-78403 |
| F224                        | Servo, w/pin (reverse) TF-81SC                             | 1   | 05-11 | AE          | 75250-78503 |
| F228                        | Spring, reverse servo TF-81SC                              | 1   | 05-11 | AE          | 75250-78603 |
| n/i                         | Pawl, park TF-81SC   | 1   | 05-11 | AE          | 75250-81003 |
| n/i                         | Pin, park pawl TF-81SC                                     | 1   | 05-11 | AE          | 75250-81103 |
| n/i                         | Spring, park pawl TF-81SC                                  | 1   | 05-11 | AE          | 75250-81203 |
| n/i                         | Spring, park guide TF-81SC                                 | 1   | 05-11 | AE          | 75250-81303 |
| n/i                         | Spring, detent TF-81SC                                     | 1   | 05-11 | AE          | 75250-81403 |
|                             |  |     |       |             |             |
|                             |  |     |       |             |             |
|                             |  |     |       |             |             |
|                             |  |     |       |             |             |
|                             |  |     |       |             |             |
|                             |  |     |       |             |             |
|                             |  |     |       |             |             |
|                             |  |     |       |             |             |
|                             |  |     |       |             |             |
|                             |  |     |       |             |             |
|                             |  |     |       |             |             |
|                             |  |     |       |             |             |
|                             |  |     |       |             |             |
|                             |  |     |       |             |             |
|                             |  |     |       |             |             |
|                             |  |     |       |             |             |
|                             |  |     |       |             |             |
|                             |  |     |       |             |             |
|                             |  |     |       |             |             |



# MULTI-CLUTCH BILLET CONVERTERS

DACCO



Heavy duty applications available for GM, Dodge, and Ford Trucks.

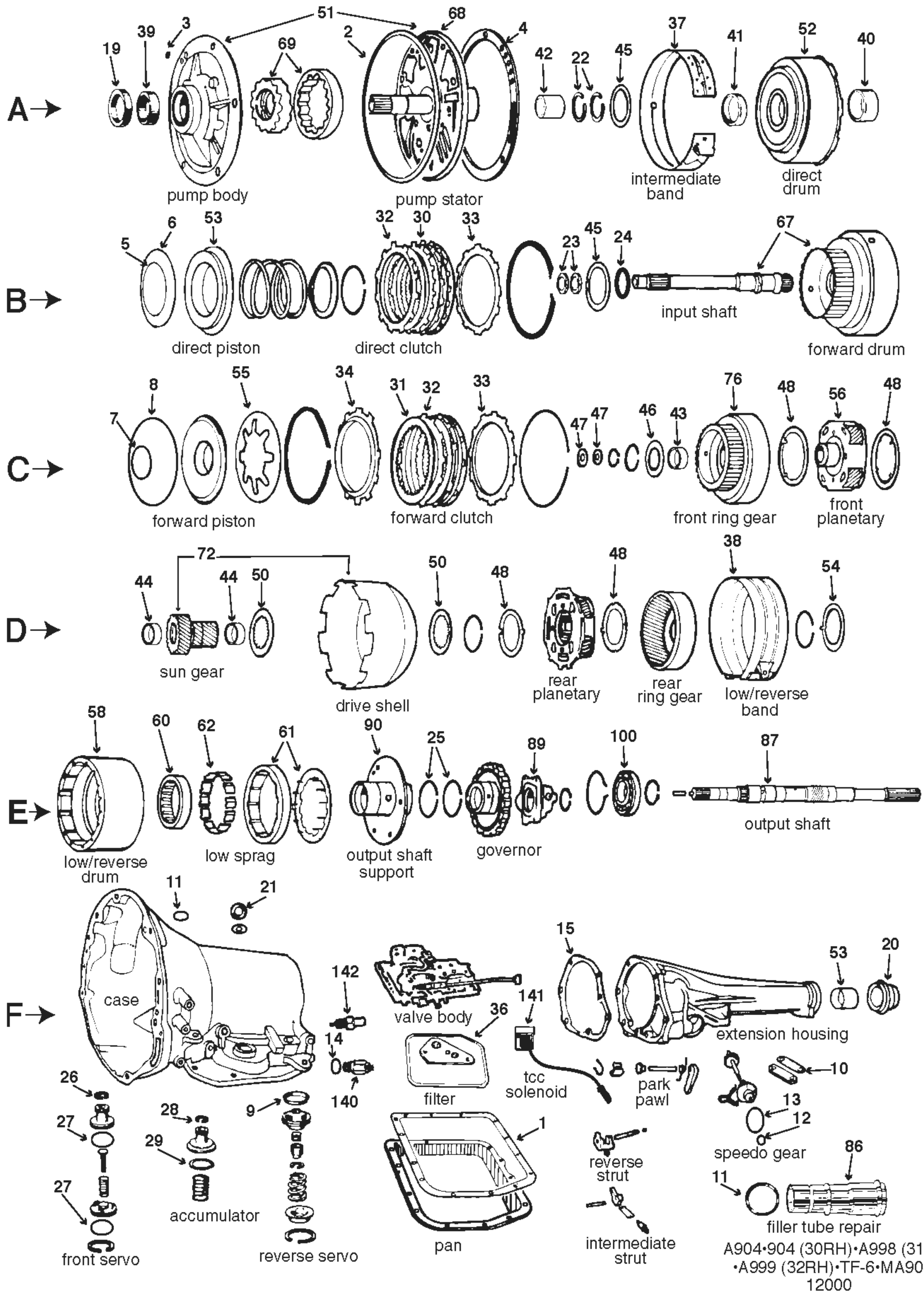
**CUSTOMER DRIVEN**  
**QUALITY FOCUSED**  
**EMPLOYEE POWERED**

**DACCO**  
**TRANSMISSION PARTS**

Check out our website at:  
[www.daccoinc.com](http://www.daccoinc.com)

 [facebook.com/DACCOTrans](https://facebook.com/DACCOTrans)





A904•904 (30RH)•A998 (31RH)  
•A999 (32RH)•TF-6•MA904A  
12000

# A904•904 (30RH)•A998 (31RH)•A999 (32RH)•TF-6•MA904A

| ILL                                  | DESCRIPTION                          | QTY | YEAR  | REFERENCE # | PART #    |
|--------------------------------------|--------------------------------------|-----|-------|-------------|-----------|
| <b>TECHNICAL MANUALS</b>             |                                      |     |       |             |           |
| K53                                  | Tech manual A727/ A904, dis/assembly | 1   | 62-03 | 83-727904TM | 010-102   |
| <b>REBUILDER KITS</b>                |                                      |     |       |             |           |
| K4                                   | Master deluxe rebuild kit            | 1   | 60-71 | AE          | K125E-R   |
| K4                                   | Master deluxe rebuild kit            | 1   | 72-98 | AE          | K125H-R   |
| K4                                   | Master deluxe rebuild kit            | 1   | 72-98 | AE          | H125H-R   |
| K4                                   | Master deluxe rebuild kit            | 1   | 99-03 | AE          | K125C-R   |
| K4                                   | Master deluxe rebuild kit            | 1   | 74-80 | AE          | K125K-R   |
| K5                                   | Master kit w/steels                  | 1   | 60-71 | AE          | K125E     |
| K5                                   | Master kit w/steels                  | 1   | 72-98 | AE          | K125H     |
| K5                                   | Master kit w/steels                  | 1   | 72-98 | AE          | K125HS    |
| K5                                   | Master kit w/steels                  | 1   | 99-03 | AE          | K125C     |
| K5                                   | Master kit w/steels                  | 1   | 74-80 | AE          | K125K     |
| K6                                   | Master kit w/o steels                | 1   | 60-71 | AE          | K125E-LS  |
| K6                                   | Master kit w/o steels                | 1   | 72-98 | AE          | K125H-LS  |
| K6                                   | Master kit w/o steels                | 1   | 72-98 | AE          | K125HS-LS |
| K6                                   | Master kit w/o steels                | 1   | 99-03 | AE          | K125C-LS  |
| K6                                   | Master kit w/o steels                | 1   | 74-80 | AE          | K125K-LS  |
| K7                                   | O/H gasket set w/seals-rings         | 1   | 60-71 | AE          | K12900E   |
| K7                                   | O/H gasket set w/seals-rings         | 1   | 72-98 | AE          | K12900H   |
| K7                                   | O/H gasket set w/seals-rings         | 1   | 72-98 | AE          | K12900HS  |
| K7                                   | O/H gasket set w/seals-rings         | 1   | 99-03 | AE          | K12900C   |
| K7                                   | O/H gasket set w/seals-rings         | 1   | 74-80 | AE          | K12900K   |
| K8                                   | Kit, external seal                   | 1   | 60-03 | AE          | K12900-2  |
| K11                                  | Gasket and seal kit                  | 1   | 60-71 | AE          | K12900E-1 |
| K11                                  | Gasket and seal kit                  | 1   | 72-98 | AE          | K12900H-1 |
| K11                                  | Gasket and seal kit                  | 1   | 74-80 | AE          | K12900K-1 |
| K28                                  | Kit, accumulator D-rings             | 1   | 78-03 | AE          | K12900-3  |
| <b>VALVE BODY KITS</b>               |                                      |     |       |             |           |
| K15                                  | NoYoYo® command service kit fix      | 1   | 65-03 | SK® TF-SC   | K22908    |
| K15                                  | Shift Correction Package             | 1   | 65-03 | KTF/TC      | S22908    |
| K15                                  | Reprogramming Kit™                   | 1   | 60-03 | TF-2        | TF-2      |
| K15                                  | Reprogramming Kit™ stick shift       | 1   | 60-03 | TF-3        | TF-3      |
| K15                                  | Shift Improver Kit                   | 1   | 66-77 | 10226       | 114-10226 |
| K15                                  | Shift Improver Kit                   | 1   | 68-70 | 10226       | 114-10226 |
| K15                                  | Shift Improver Kit                   | 1   | 71-77 | 10225       | 114-10225 |
| K15                                  | Shift Improver Kit                   | 1   | 78-79 | 10232       | 114-10232 |
| K15                                  | Transpak™                            | 1   | 66-77 | 10228       | 114-10228 |
| K15                                  | Transpak™                            | 1   | 78-79 | 10227       | 114-10227 |
| K15                                  | Manual Pak™                          | 1   | 62-79 | 10219       | 114-10219 |
| n/i                                  | Spring, lock-up/TCC                  | 1   | 79-03 | MT8707      | 22981     |
| <b>GASKETS AND RUBBER COMPONENTS</b> |                                      |     |       |             |           |
| F1                                   | Gasket, oil pan                      | 1   | 60-03 | 4295875/    | 3795LX    |
| F1                                   | Gasket, oil pan                      | 1   | 60-03 | 2495875     | 3795D     |
| F1                                   | Gasket, oil pan                      | 1   | 74-80 | 3681438     | 13332X    |
| F1                                   | Gasket, oil pan                      | 1   | 74-80 | 3681438     | 13332D    |
| A2                                   | Seal, lathe cut                      | 1   | 61-03 | 2204709     | 3847L     |
| A3                                   | Washer, coated                       | 6   | 60-03 | 3884683     | 13268A    |
| A4                                   | Gasket                               | 1   | 60-03 | 4028364     | 3572L     |
| B5                                   | Lip seal                             | 1   | 60-71 | 1942396     | 3575L     |
| B5                                   | Lip seal                             | 1   | 72-03 | 3515176     | 13307     |
| B5                                   | Lip seal                             | 1   | 72-03 |             | 13300     |
| B6                                   | Lip seal                             | 1   | 60-71 | 1942397     | 3576L     |
| B6                                   | Lip seal                             | 1   | 72-99 | 4058487     | 13308     |

A904•A998•A999•TF-6

# A904•904 (30RH)•A998 (31RH)•A999 (32RH)•TF-6•MA904A

A904•A998•A999•TF-6

| ILL  | DESCRIPTION  | QTY | YEAR  | REFERENCE # | PART #    |
|--|--|-----|-------|-------------|-----------|
| <b>GASKETS AND RUBBER COMPONENTS (CONTINUED)</b> |  |     |       |             |           |
| B6   | Lip seal direct clutch piston (outer)                          | 1   | 00-03 | 4058487AB   | 13308A    |
| C7   | Lip seal forward clutch piston (inner)                         | 1   | 60-67 | 2125187     | 3578L     |
| C7   | Lip seal forward clutch piston (inner)                         | 1   | 68-03 | 2538510     | 13289     |
| C8   | Lip seal forward clutch piston (outer)                         | 1   | 60-67 | 1942397     | 3576L     |
| C8   | Lip seal forward clutch piston (outer)                         | 1   | 68-03 | 2538695     | 13311     |
| F9   | Lip seal A904 (reverse servo piston)                           | 1   | 65-03 | 2464462     | 13208     |
| F9   | Lip seal Colt/Arrow  | 1   | 76-03 | 4269736     | 13335     |
| F10  | Gasket A904 (output shaft bearing cover)                       | 1   | 66-03 | 2801398     | 13254     |
| F11  | O'ring filler tube to case                                     | 1   | 60-96 | 6030608     | 3291L     |
| F11  | Multi lip seal A904 (filler tube to case)                      | 1   | 97-03 | 52118629AB  | 13928     |
| F12  | Lip seal driven gear   | 1   | 60-65 | 2124328     | 3991AL    |
| F12  | Lip seal w/o spring driven gear (aluminum housing)             | 1   | 66-76 | 2538588     | 3991LS    |
| F12  | Lip seal w/spring driven gear (aluminum housing)               | 1   | 66-76 | 2538588HD   | 3991L     |
| F12  | Lip seal driven gear (plastic housing)                         | 1   | 77-03 | 4057047     | 3991AL    |
| F13  | O'ring A904 (speedo housing)                                   | 1   | 60-65 | 1942259     | 3547L     |
| F13  | O'ring A904 (speedo gear adapter)                              | 1   | 66-03 | 1738264     | 3301AL    |
| F13  | O'ring (teflon coated)(blue) vehicle speed sensor              | 1   | 97-03 | 56028182    | 13847     |
| F14  | O'ring A904 (safety switch to case)                            | 1   | 60-68 | 1316849     | 13849     |
| F14  | Washer (tapered) A904  | 1   | 68-03 | 2408143     | 2627W     |
| F15  | Gasket A904 (extension housing to case)                        | 1   | 66-03 | 2466954     | 13253     |
| n/i  | O'ring A904  | 1   | 78-03 | 6031410     | 13737     |
| n/i  | O'ring kickdown servo piston (inner)                           | 1   | 78-03 | 6028864     | 13332     |
| n/i  | Lip seal A904  | 1   | 60-03 | 2466548     | 13207     |
| n/i  | O'ring solenoid  | 1   | 87-03 | 8630052     | 13918     |
| n/i  | O'ring reverse servo pin                                       | 2   | 78-03 | 6030657     | 23012     |
| <b>METAL CLAD SEALS</b>                          |  |     |       |             |           |
| A19  | Seal, metal clad 2.253"x1.450x.380" A904                       | 1   | 60-03 | 4269057     | 12575A    |
| F20  | Seal, metal clad A904 (extension housing)                      | 1   | 60-64 | 1942401     | 12925     |
| F20  | Seal, metal clad A904 (extension housing)                      | 1   | 65-65 | 2464482     | 12925A    |
| F20  | Seal, metal clad (w/boot) A904 (extension housing)             | 1   | 66-72 | 2400163     | 12925B    |
| F20  | Seal, metal clad (not in kits) A904 (adapter housing)(4WD)     | 1   | 66-03 | 4269956     | 205-19211 |
| F20  | Seal, metal clad (w/boot) A904 (extension housing)             | 1   | 73-03 | 4058047     | 12925D    |
| F20  | Seal, metal clad (w/o boot) A904 (extension housing)           | 1   | 73-03 | 3515384     | 12925E    |
| F21  | Seal, metal clad 1.254x.775x.254" A904 (manual lever shaft)    | 1   | 66-03 | 3878447     | 22574     |
| <b>SEALING RINGS</b>                             |  |     |       |             |           |
| K10  | Kit, sealing ring w/o servo and accumulator rings              | 1   | 60-03 | AE          | K12950S   |
| K10  | Kit, sealing ring A904   | 1   | 60-77 | AE          | K12950A   |
| K10  | Kit, sealing ring A904   | 1   | 60-03 | AE          | K12950B   |
| A22  | Ring, sealing (hook joint) stator support (pump support)       | 2   | 60-03 | 1942389     | 12600     |
| B23  | Ring, sealing (butt joint) input shaft (small)                 | 1   | 60-03 | 1941831     | 12853     |
| B23  | Ring, sealing (metal) input shaft                              | 1/2 | 60-03 | 1401221     | 12853L    |
| B24  | Ring, sealing (hook joint) on forward drum (large)             | 1   | 68-77 | 1323593     | 2823K     |
| B24  | Ring, sealing (hook joint) on forward drum (large)             | 1   | 78-03 | 4028333     | 12841     |
| E25  | Ring, sealing (butt joint) governor support                    | 2   | 60-03 | 1942109     | 12850     |
| E25  | Ring, sealing (hook joint) governor support (not in kits)      | 2   | 60-03 | 1942109     | 12850A    |
| F26  | Ring, sealing (metal) kickdown servo piston small (except V/8) | 1   | 60-03 | 1672287     | 2716A     |
| F26  | Ring, sealing (metal) kickdown servo piston small (V/8)        | 1   | 71-03 | 3410374     | 12851     |
| F27  | Ring, sealing (metal) kickdown servo and guide (except V/8)    | 2   | 60-03 | 1636470     | 2936B     |
| F27  | Ring, sealing (butt joint) kickdown servo and guide (V/8)      | 2   | 71-03 | 3410372     | 12852     |
| F28  | Ring, sealing (metal) accumulator piston (small)               | 1   | 60-03 | 1941831     | 12853L    |
| F29  | Ring, sealing (metal) accumulator piston (large)               | 1   | 60-03 | 2124255     | 12770     |
|  |  |     |       |             |           |
|  |  |     |       |             |           |

# A904•904 (30RH)•A998 (31RH)•A999 (32RH)•TF-6•MA904A

**A904•A998•A999•TF-6**

| ILL                    | DESCRIPTION  | QTY | YEAR  | REFERENCE # | PART #     |
|------------------------|--|-----|-------|-------------|------------|
| <b>CLUTCH PLATES</b>   |  |     |       |             |            |
| B30                    | Friction .086" 4.940" od 45T direct clutch                   | 3/5 | 60-03 | 4329805     | 12750A     |
| B30                    | Friction .086" 4.940" od 45T direct clutch                   | 3/5 | 92-03 | 4619362     | 12750C     |
| B30                    | Friction (high performance) direct clutch                    | 3/5 | 60-03 | 4329805HP   | 12750H     |
| B32                    | Steel .068" 3.950" id 12T direct clutch                      | 3   | 60-03 | 1942403     | 12751      |
| B32                    | Steel .068" 8T (Kolene®) direct clutch                       | 4   | 60-03 | 1942403     | 12751K     |
| B32                    | Steel .088" 3.950" id 12T (oversized) direct clutch          | ar  | 60-03 | 19424030S   | 12751X     |
| C31                    | Friction .061" 4.490" od 45T forward clutch                  | 3/4 | 60-03 | 3780285     | 12760B     |
| C31                    | Friction .061" 4.490" od 45T forward clutch                  | 3/4 | 92-03 | 4617125     | 12760C     |
| C31                    | Friction (high performance) forward clutch                   | 3/4 | 60-03 | 3780285HP   | 12760H     |
| C32                    | Steel .068" 3.950" id 12T forward clutch                     | 4   | 60-03 | 1942403     | 12751      |
| C32                    | Steel .068" 8T (Kolene®) forward clutch                      | 3   | 60-03 | 1942403     | 12751K     |
| C32                    | Steel .088" 3.950" id 12T (oversized) forward clutch         | ar  | 60-03 | 19424030S   | 12751X     |
| <b>PRESSURE PLATES</b> |  |     |       |             |            |
| B33                    | Pressure plate 8T direct clutch (top)                        | 1   | 60-03 | 2801969     | 12564-R    |
| C33                    | Pressure plate 8T forward clutch (top)                       | 1   | 60-03 | 2801969     | 12564-R    |
| C34                    | Pressure plate 8T (beveled) forward clutch (lower)           | 1   | 60-03 | 2466281     | 12565-R    |
| <b>FILTERS</b>         |  |     |       |             |            |
| K9                     | Kit, filter (small dacron) neoprene/cork                     | 1   | 60-66 | AE          | FK6-12776A |
| K9                     | Kit, filter (small brass) neoprene/cork                      | 1   | 60-66 | AE          | FK6-12776B |
| K9                     | Kit, filter (large dacron) neoprene/cork                     | 1   | 66-03 | AE          | FK6-12776C |
| K9                     | Kit, filter (large brass) neoprene/cork                      | 1   | 66-03 | AE          | FK6-12776D |
| K9                     | Kit, filter (combo w/large dacron) A904/A727 (neoprene/cork) | 1   | 66-03 | AE          | CFK-12776C |
| K9                     | Kit, filter (large filter) Colt/Arrow MA904A (neoprene/cork) | 1   | 74-80 | AE          | FK12776K   |
| K9                     | Kit, filter (small dacron) Duraprene®                        | 1   | 60-66 | AE          | DK6-12776A |
| K9                     | Kit, filter (small brass) Duraprene®                         | 1   | 60-66 | AE          | DK6-12776B |
| K9                     | Kit, filter (large dacron) Duraprene®                        | 1   | 66-03 | AE          | DK6-12776C |
| K9                     | Kit, filter (large brass) Duraprene®                         | 1   | 66-03 | AE          | DK6-12776D |
| K9                     | Kit, filter (combo w/large dacron) A904/A727 (Duraprene®)    | 1   | 66-03 | AE          | CDK-12776C |
| K9                     | Kit, filter (large filter) Colt/Arrow MA904A (Duraprene®)    | 1   | 74-80 | AE          | DK-12776K  |
| F36                    | Filter (small dacron) A904                                   | 1   | 60-66 | 3521456     | 12776A     |
| F36                    | Filter (small brass) A904                                    | 1   | 60-66 | 3410253     | 12776B     |
| F36                    | Filter (large dacron) A904                                   | 1   | 66-03 | 3515996     | 12776C     |
| F36                    | Filter (large brass) A904                                    | 1   | 66-03 | 3515996     | 12776D     |
| n/i                    | Screen, filter governor                                      | 1   | 60-03 | 5205839     | 48712      |
| n/i                    | Screen, filter pump suction                                  | 1   | 60-03 | 3878313     | 48713      |
| <b>BANDS</b>           |  |     |       |             |            |
| A37                    | Band, flex intermediate (kickdown)                           | 1   | 60-03 | 4058863     | 12905F     |
| A37                    | Band, flex (wide) intermediate (kickdown)                    | 1   | 68-03 | 4617849     | 12905B     |
| D38                    | Band, solid 1 3/8" wide reverse                              | 1   | 60-03 | 4443184     | 12820      |
| D38                    | Band, split 2" wide reverse                                  | 1   | 68-03 | 4130981     | 12820A     |
| <b>BUSHINGS</b>        |  |     |       |             |            |
| K13                    | Kit, bushing A904  | 1   | 68-03 | AE          | K12952A    |
| A39                    | Bushing (babbitt) 38.113mm bore A904                         | 1   | 60-03 | 2204953     | 12502      |
| A39                    | Bushing (bronze) A904 (front pump body)                      | 1   | 60-03 | 2466796     | 12502A     |
| A40                    | Bushing direct clutch drum                                   | 1   | 60-92 | 2801727     | 12505A     |
| A40                    | Bushing (not in kits) direct clutch drum (rear)              | 1   | 93-03 | 4617159     | 12512      |
| A41                    | Bushing (not in kits) direct clutch drum (front)             | 1   | 93-03 | 4617157     | 12511      |
| A42                    | Bushing (not in kits) stator support                         | 1   | 60-67 | 2205302     | 12503      |
| A42                    | Bushing A904 (stator support)                                | 1   | 68-03 | 2801728     | 12503B     |
| C43                    | Bushing front ring gear (frt annulus gear support)           | 1   | 76-03 | 3681967     | 12506      |
| D44                    | Bushing sun gear (front and rear)                            | 2   | 60-03 | 1942436     | 12507      |
| F53                    | Bushing (not in kits) extension housing                      | 1   | 60-65 | 2124607     | 12501      |
| F53                    | Bushing A904 (extension housing)                             | 1   | 66-03 | 2801726     | 12501A     |



# A904•904 (30RH)•A998 (31RH)•A999 (32RH)•TF-6•MA904A

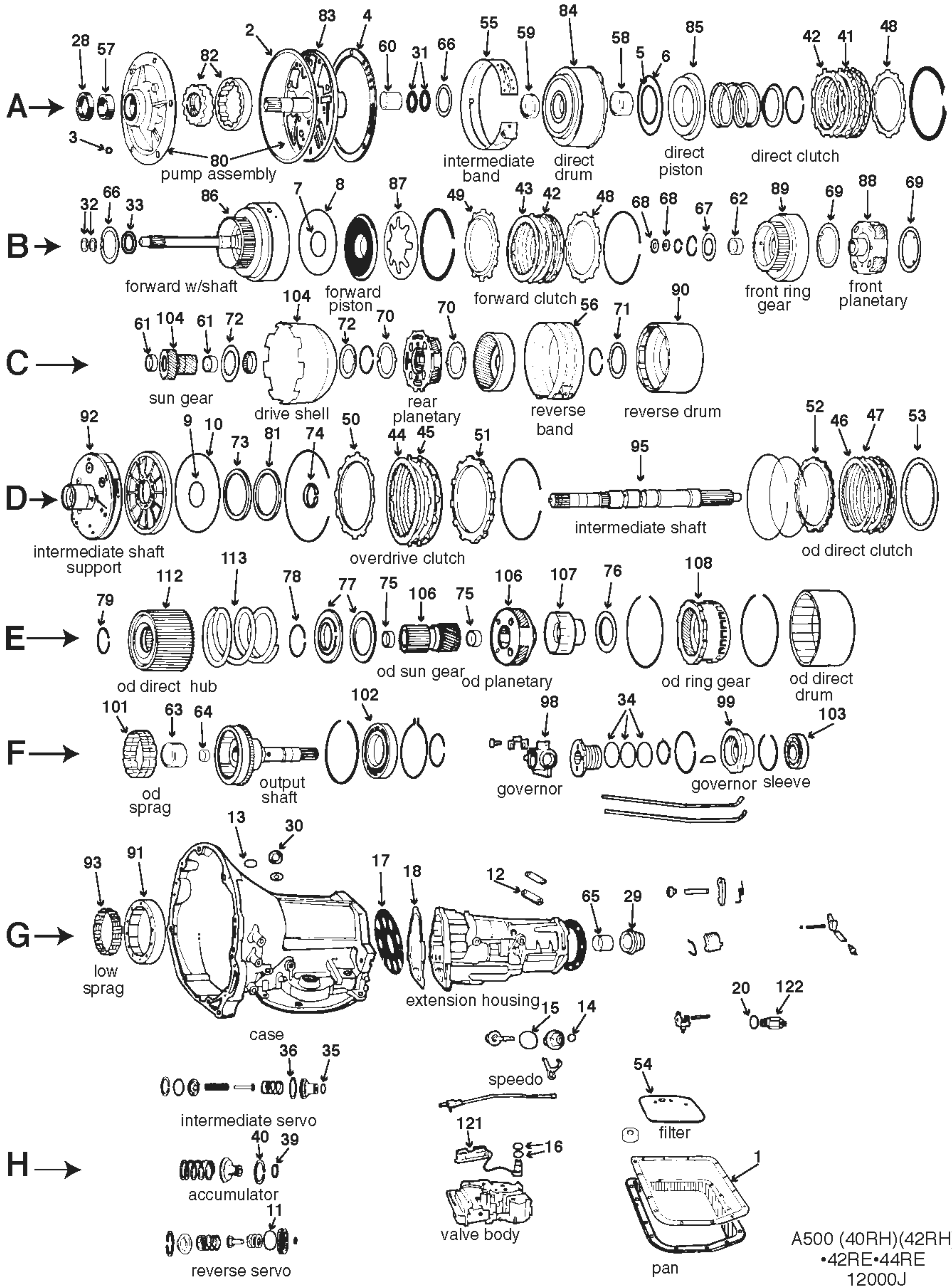
A904•A998•A999•TF-6

| ILL                                 | DESCRIPTION  | QTY | YEAR  | REFERENCE # | PART #   |
|-------------------------------------|--|-----|-------|-------------|----------|
| <b>WASHERS/BEARINGS/RACES/SHIMS</b> |  |     |       |             |          |
| K14                                 | Kit, thrust washer w/popular selectives A904                                 | 1   | 68-74 | AE          | K12951A  |
| K14                                 | Kit, thrust washer w/popular selectives A904                                 | 1   | 75-03 | AE          | K12951B  |
| A45                                 | Thrust washer stator to direct drum  | 1   | 60-69 | 2204369     | 12606    |
| A45                                 | Thrust washer (fiber) stator to direct drum                                  | 1   | 70-03 | 4314167     | 12606A   |
| B45                                 | Thrust washer direct drum to forward drum                                    | 1   | 60-69 | 2204369     | 12606    |
| B45                                 | Thrust washer (fiber) direct drum to forward drum                            | 1   | 70-03 | 4314167     | 12606A   |
| C46                                 | Thrust washer forward drum to front ring gear                                | 1   | 60-69 | 1942447     | 12620    |
| C46                                 | Thrust washer 1 outside tab forward drum to front ring gear                  | 1   | 68-74 | 2538696     | 12620A   |
| C46                                 | Thrust washer 1 outside tab forward drum to front ring gear                  | 1   | 75-03 | 3681969     | 12620B   |
| C47                                 | Thrust washer .052" natural forward drum to race                             | sel | 60-75 | 2538669     | 12705    |
| C47                                 | Thrust washer .068" red forward drum to race                                 | sel | 60-75 | 2466169     | 12705A   |
| C47                                 | Thrust washer .083" fiber, black forward drum to race                        | sel | 60-75 | 2538671     | 12705B   |
| C47                                 | Thrust washer .052" 1 tab id 7/8" od forward drum to race                    | sel | 76-79 | 4202254     | 12705C   |
| C47                                 | Thrust washer .068" 1 tab id 7/8" od forward drum to race                    | sel | 76-79 | 3878778     | 12705D   |
| C47                                 | Thrust washer .083" forward drum to race                                     | sel | 76-79 | 4202256     | 12705E   |
| C47                                 | Thrust washer .052" 2 tabs on id (gray) forward drum to race                 | sel | 79-90 | 4269196     | 12705F   |
| C47                                 | Thrust washer .068" 2 tabs on id forward drum to race                        | sel | 79-90 | 4269197     | 12705G   |
| C47                                 | Thrust washer .083" 2 tabs on id (green) forward drum to race                | sel | 79-90 | 4269198     | 12705H   |
| C47                                 | Race front end of output shaft   | 1   | 79-90 | 4058982     | 12705K   |
| C47                                 | Thrust washer .052" 3 external tabs (gray) forward drum to race              | sel | 91-03 | 4505185     | 12706    |
| C47                                 | Thrust washer .068" 3 external tabs (red) forward drum to race               | sel | 91-03 | 4505186     | 12706A   |
| C47                                 | Thrust washer .083" 3 ext tabs (green) forward drum to race                  | sel | 91-03 | 4505187     | 12706B   |
| C47                                 | Race front end of output shaft   | 1   | 91-03 | 4505188     | 12707    |
| CD48                                | Thrust washer 3 tabs front/rear planetary (alum)(front/rear)                 | 2   | 60-67 | 2400528     | 12780B   |
| CD48                                | Thrust washer 4 tabs front/rear planetary (alum)(front/rear)                 | 2   | 68-74 | 2538515     | 12780D   |
| CD48                                | Thrust washer 3 tabs front/rear planetary (steel)(front/rear)                | 2/4 | 74-03 | 3743027     | 12780G   |
| CD48                                | Thrust washer 2" id 4 tabs front/rear planetary (steel)(front/rear)          | 2/4 | 74-03 | 3681935     | 12780H   |
| C48                                 | Thrust washer 2 5/8" id 4 tabs front planetary (front and rear)              | 2   | 80-03 | 4130518     | 12780J   |
| D50                                 | Thrust plate 28T (not in kits) drive shell (front and rear)                  | 2   | 60-03 | 3410540     | 12659    |
| D54                                 | Thrust washer 2 tabs reverse drum  | 1   | 88-03 | 4451435     | 12735    |
| n/i                                 | Thrust washer 3 tabs under early sprag race in case                          | 1   | 60-63 | 2400528     | 12780B   |
| <b>PUMP PARTS AND PUMPS</b>         |  |     |       |             |          |
| A51                                 | Pump, front complete A904  | 1   | 60-67 | AE          | 12200-R  |
| A51                                 | Pump, front complete, w/bevel non-lock-up, 1 small 1 big ring                | 1   | 67-77 | AE          | 12200A-R |
| A51                                 | Pump, complete w/lugs w/o lock-up 2 small 1 big ring                         | 1   | 78-92 | AE          | 12200B-R |
| A51                                 | Pump, complete w/lugs w/lock-up  | 1   | 78-92 | AE          | 12200C-R |
| A51                                 | Pump, front complete 1 small 1 big MA904A (Colt short 1 ring 3.5" shaft)     | 1   | 74-77 | AE          | 12200F-R |
| A51                                 | Pump, front complete 2 small 1 big MA904A (Colt short 2 ring 3.5" shaft)     | 1   | 78-03 | AE          | 12200G-R |
| A51                                 | Pump, complete w/flats, w/o lock up w/2 bushing direct drum                  | 1   | 93-95 | AE          | 12200H-R |
| A51                                 | Pump, complete w/flats, w/lock up w/2 bushing direct drum and 2 feed holes   | 1   | 93-95 | AE          | 12200J-R |
| A51                                 | Pump, complete w/flats, w/lock up w/2 bushing direct drum and 3 feed holes   | 1   | 96-03 | AE          | 12200K-R |
| A51                                 | Pump, complete w/flats, w/o lock up w/2 bushing direct drum and 3 feed holes | 1   | 96-03 | AE          | 12200L-R |
| A68                                 | Support, stator w/lock up  | 1   | 78-03 | 4058413     | 12400B-R |
| A68                                 | Support, stator w/o lock up  | 1   | 78-03 | 4058941     | 12400E-R |
| A68                                 | Support, stator 1 small 1 big Colt 1 ring 3.5" shaft                         | 1   | 78-03 | 4058633     | 12400F-R |
| A68                                 | Support, stator 2 small 1 big Colt 2 ring 3.5" shaft                         | 1   | 78-03 | 4058632     | 12400G-R |
| A69                                 | Gear, pump (rotor type) A904   | 1   | 60-03 | 3621478     | K12201   |
| A69                                 | Gear, pump (rotor type) .747"-.748"  | 1   | 78-92 | AE          | K12201A  |
| A69                                 | Gear, pump (rotor type) .748"-.749"  | 1   | 78-92 | AE          | K12201B  |
| A69                                 | Gear, pump (rotor type) w/flats  | 1   | 93-03 | AE          | K12201F  |
|                                     |  |     |       |             |          |
|                                     |  |     |       |             |          |
|                                     |  |     |       |             |          |

# A904•904 (30RH)•A998 (31RH)•A999 (32RH)•TF-6•MA904A

A904•A998•A999•TF-6

| ILL                          | DESCRIPTION                             | QTY                                 | YEAR | REFERENCE # | PART #    |           |
|------------------------------|---|-------------------------------------|------|-------------|-----------|-----------|
| <b>HARD PARTS</b>            |   |                                     |      |             |           |           |
| A52                          | Drum, direct clutch                     | 4 clutch 8 cylinder                 | 1    | 68-79       | 3621476   | 12560B-R  |
| A52                          | Drum, direct clutch                     | 5 clutch w/beveled front 8 cylinder | 1    | 76-92       | 3743382   | 12560C-R  |
| A52                          | Drum, direct clutch                     | 3 clutch 8 cylinder                 | 1    | 79-92       | 3515707   | 12560E-R  |
| A52                          | Drum, direct clutch                     | w/2 bushings                        | 1    | 93-03       | 4531285   | 12560F-R  |
| A52                          | Drum, direct clutch                     | w/outer seal in drum                | 1    | 97-03       | 4531285AB | 12560G-R  |
| B53                          | Piston, direct clutch                   | w/outer seal in drum                | 1    | 97-03       | 4617154AR | 12562     |
| C55                          | Spring, diaphragm                       | A904 (forward clutch)               | 1    | 60-03       | 1942414   | 12745     |
| C55                          | Spring, diaphragm                       | A904 (forward clutch)               | 1    | 60-03       | 1943414   | 12745-R   |
| C56                          | Planetary, 4 pinions (steel large)      | A904                                | 1    | 79-03       | 3681989   | 12137-R   |
| C56                          | Planetary, front 3 pinions (aluminum)   | A904                                | 1    | 75-03       | 4130514   | 12138-R   |
| E58                          | Drum, low/reverse                       | rear                                | 1    | 74-88       | 4446111   | 12154-R   |
| E58                          | Drum, reverse                           | w/inner sprag pressed on            | 1    | 88-03       | 4637956   | 12155-R   |
| E60                          | Race, overrun clutch                    | 24 splines                          | 1    | 68-03       | 3515618   | 12962-R   |
| E61                          | Retainer, cam-overrun clutch, bolt-in   | A904 (w/springs and rollers)        | 1    | 74-88       | 3780221   | K12961A-R |
| B67                          | Drum, forward clutch (w/input shaft)    | w/lockup                            | 1    | 78-89       | 4186879   | 12122-R   |
| B67                          | Drum, forward clutch (w/input shaft)    | w/lockup                            | 1    | 90-03       | 4505199   | 12122A-R  |
| D72                          | Shell, drive (w/sun gear)               | A904                                | 1    | 78-92       | 4431593   | 12128-R   |
| D72                          | Shell, drive (w/sun gear)               | A904                                | 1    | 93-03       | 4531288   | 12128A-R  |
| C76                          | Gear, ring (w/hub)                      | A904 (front planetary)              | 1    | 79-03       | 4130512   | 12130-R   |
| F86                          | Filler tube repair                      | A904                                | 1    | 62-03       | M99100A   | 96-140A   |
| E87                          | Shaft, output 12 1/4" length (4WD)      | A904                                | 1    | 79-88       | 4617320   | 12160J-R  |
| E89                          | Governor assembly                       | A904                                | 1    | 63-03       | 4740007   | 12410-R   |
| E90                          | Support, output shaft                   | A904                                | 1    | 66-88       | 2466881   | 12782-R   |
| E90                          | Support, output shaft                   | A904                                | 1    | 88-03       | 4431433   | 12782A-R  |
| E100                         | Bearing, output shaft                   | A904                                | 1    | 66-03       | 3410465   | 12976     |
| n/i                          | Plug, output shaft                      | A904                                | 1    | 78-03       | 4130008   | 12977     |
| n/i                          | Bolt, converter 5/16"x7/16"             | A904                                | 4    | 60-03       | M99122B4  | 96-161    |
| n/i                          | Lever, detent w/insulator               | rooster comb                        | 1    | 67-03       | 3410484   | 22420-R   |
| n/i                          | Piston, reverse servo (steel)           | A904                                | 1    | 67-03       | K030      | 12528     |
| n/i                          | Piston, accumulator (aluminum)          | A904 (in case)                      | 1    | 60-03       | 3743650   | 12703-R   |
| <b>ELECTRICAL COMPONENTS</b> |   |                                     |      |             |           |           |
| F140                         | Switch, neutral safety 1 prong          | A904                                | 1    | 60-64       | 1704283   | 15A-627   |
| F140                         | Switch, neutral safety 2 prongs         | A904                                | 1    | 65-68       | 2495537   | 15A-627A  |
| F140                         | Switch, neutral safety 3 prongs (long)  | A904                                | 1    | 69-86       | 2932820   | 15A-627B  |
| F140                         | Switch, neutral safety 3 prongs (short) | A904                                | 1    | 86-03       | 4057750   | 15A-627C  |
| F141                         | Solenoid, w/wiring 1 wire               | A904 (lock-up/TCC)                  | 1    | 86-96       | 4348719   | 5A-150    |
| F141                         | Solenoid, w/wiring 2 wires              | A904 (lock-up/TCC)                  | 1    | 97-03       | 52118595  | 5A-150A   |
| F142                         | Connector, case 1 prong                 | A904                                | 1    | 86-03       | 4348945   | 5A-151    |
| <b>SPRAGS</b>                |   |                                     |      |             |           |           |
| E62                          | Kit, rollers and springs                | A904 (overrun clutch)               | 1    | 64-88       | AE        | K12960A   |
| E62                          | Sprag, roller clutch                    | A904 (overrun clutch)               | 1    | 88-03       | 4431432   | 32502     |
| <b>NOTES</b>                 |   |                                     |      |             |           |           |
|                              |   |                                     |      |             |           |           |
|                              |   |                                     |      |             |           |           |
|                              |   |                                     |      |             |           |           |
|                              |   |                                     |      |             |           |           |
|                              |   |                                     |      |             |           |           |
|                              |   |                                     |      |             |           |           |
|                              |   |                                     |      |             |           |           |
|                              |   |                                     |      |             |           |           |
|                              |   |                                     |      |             |           |           |
|                              |   |                                     |      |             |           |           |
|                              |   |                                     |      |             |           |           |
|                              |   |                                     |      |             |           |           |
|                              |   |                                     |      |             |           |           |



A500 (40RH)(42RH)  
 •42RE•44RE  
 12000J

# A500 (40RH)(42RH)•500•42RE•44RE

A500•42RE•44RE

| ILL                                  | DESCRIPTION                                | QTY | YEAR  | REFERENCE # | PART #    |
|--------------------------------------|--|-----|-------|-------------|-----------|
| <b>TECHNICAL MANUALS</b>             |  |     |       |             |           |
| K53                                  | Tech manual A500/518 dis/assembly          | 1   | 88-04 | 83-500TM    | 010-105   |
| K53                                  | Tech manual 42RE dis/assembly              | 1   | 94-04 | 83-500SETM  | 010-109   |
| <b>REBUILDER KITS</b>                |  |     |       |             |           |
| K4                                   | Master deluxe rebuild kit                  | 1   | 88-04 | AE          | K125J-R   |
| K4                                   | Master deluxe rebuild kit                  | 1   | 99-04 | AE          | K125L-R   |
| K5                                   | Master kit w/steels                        | 1   | 88-04 | AE          | K125J     |
| K5                                   | Master kit w/steels                        | 1   | 99-04 | AE          | K125L     |
| K6                                   | Master kit w/o steels                      | 1   | 88-04 | AE          | K125J-LS  |
| K7                                   | O/H gasket set w/seals-rings               | 1   | 88-04 | AE          | K12900J   |
| K8                                   | Kit, external seal                         | 1   | 88-04 | AE          | K12900-2  |
| K11                                  | Gasket and seal kit                        | 1   | 88-04 | AE          | K12900J-1 |
| K28                                  | Kit, accumulator D-rings                   | 1   | 78-04 | AE          | K12900-3  |
| <b>VALVE BODY KITS</b>               |  |     |       |             |           |
| K15                                  | Shift Kit® TFOD-Jr/fix soft shift          | 1   | 88-04 | SK® TFOD-Jr | K22908B   |
| K15                                  | Shift Correction Package                   | 1   | 88-04 | K500-618    | S22908B   |
| K15                                  | Reprogramming Kit™                         | 1   | 88-04 | TFOD-HD2    | TFOD-HD2  |
| <b>GASKETS AND RUBBER COMPONENTS</b> |  |     |       |             |           |
| K13                                  | Gasket set, valve body and solenoid module | 1   | 89-94 | n/a         | 23447     |
| K13                                  | Gasket set, valve body and solenoid module | 1   | 89-04 | n/a         | 23447A    |
| H1                                   | Gasket, oil pan                            | 1   | 88-04 | 4295875     | 3795LX    |
| H1                                   | Gasket, oil pan                            | 1   | 88-04 | 4295875     | 3795D     |
| A2                                   | Seal, lathe cut                            | 1   | 88-04 | 2204709     | 3847L     |
| A3                                   | Washer, coated                             | 6   | 88-04 | 3884683     | 13268A    |
| A4                                   | Gasket                                     | 1   | 88-04 | 4028364     | 3572L     |
| A5                                   | Lip seal                                   | 1   | 88-04 | 3515176     | 13307     |
| A5                                   | Lip seal                                   | 1   | 88-04 | n/a         | 13300     |
| A6                                   | Lip seal                                   | 1   | 88-99 | 4058487     | 13308     |
| A6                                   | Lip seal                                   | 1   | 99-04 | 4058487AB   | 13308A    |
| B7                                   | Lip seal                                   | 1   | 88-04 | 2538510     | 13289     |
| B8                                   | Lip seal                                   | 1   | 88-04 | 2538695     | 13311     |
| D9                                   | Lip seal                                   | 1   | 88-04 | 4431697     | 23198     |
| D10                                  | Lip seal                                   | 1   | 88-04 | 4431696     | 23199     |
| H11                                  | Lip seal                                   | 1   | 88-04 | 4202864     | 13208     |
| G12                                  | Gasket                                     | 1   | 88-04 | 2801398     | 13254     |
| G13                                  | O'ring                                     | 1   | 88-04 | 6030608     | 3291L     |
| G13                                  | Multi lip seal                             | 1   | 97-04 | 52118629AB  | 13928     |
| G14                                  | Lip seal w/o spring                        | 1   | 88-04 | 2538588     | 3991LS    |
| G14                                  | Lip seal w/spring                          | 1   | 88-04 | 2538588HD   | 3991L     |
| G14                                  | Lip seal                                   | 1   | 88-04 | 4057047     | 3991AL    |
| G15                                  | O'ring                                     | 1   | 88-04 | 6025752     | 3301AL    |
| H16                                  | O'ring .970"                               | 2   | 88-95 | 6033448     | 1025      |
| H16                                  | O'ring                                     | 2   | 94-04 | 6034748     | 23074     |
| G17                                  | Gasket                                     | 1   | 88-04 | 4531190     | 23446     |
| G18                                  | Gasket                                     | 1   | 88-04 | 4549245     | 23445     |
| G20                                  | Washer (tapered)                           | 1   | 88-04 | 2408143     | 2627W     |
| n/i                                  | Gasket                                     | 1   | 88-04 | 4446194     | 23411     |
| n/i                                  | O'ring                                     | 2   | 88-04 | 6030657     | 23012     |
| n/i                                  | O'ring                                     | 1   | 88-04 | 6028864     | 13332     |
| n/i                                  | Lip seal                                   | 1   | 88-04 | 2466548     | 13207     |
| n/i                                  | Gasket                                     | 1   | 88-04 | 4617216     | 23121     |
| n/i                                  | O'ring                                     | 1   | 88-04 | 6031410     | 13737     |
| n/i                                  | O'ring                                     | 1   | 94-04 | 87022-S96   | 23020     |
| n/i                                  | O'ring                                     | 1   | 94-04 | 6030910     | 13917     |



# A500 (40RH)(42RH)•500•42RE•44RE

A500•42RE•44RE

| ILL  | DESCRIPTION                           | QTY                                       | YEAR | REFERENCE # | PART #        |           |
|--|---------------------------------------|---|------|-------------|---------------|-----------|
| <b>GASKETS AND RUBBER COMPONENTS (CONTINUED)</b> |                                       |   |      |             |               |           |
| n/i  | O'ring 3/8" line                      | governor pressure sensor                  | 1    | 94-04       | 6034493       | 1077      |
| n/i  | O'ring (2 green stripes)              | vehicle speed sensor (VSS)                | 1    | 94-04       | 6501701       | 23020A    |
| n/i  | O'ring                                | A500 (speed sensor housing)               | 1    | 97-04       | 6035709       | 23126     |
| n/i  | O'ring 1/2" line                      | cooler line quick connect                 | 1    | 97-04       | 17112         | 23127     |
| n/i  | O'ring 3/8" line                      | cooler line quick connect                 | 2    | 97-04       | 6034493       | 1077      |
| n/i  | Orifice, screen                       | overdrive piston housing                  | 1    | 88-04       | 4412583       | 23128     |
| <b>METAL CLAD SEALS</b>                          |                                       |   |      |             |               |           |
| A28  | Seal, metal clad 2.253"x1.450x.380"   | front                                     | 1    | 88-04       | 4269057       | 12575A    |
| G29  | Seal, metal clad (w/flange w/o boot)  | extension housing (2WD)                   | 1    | 88-04       | D5AZ-7052-ANB | 4743C     |
| G29  | Seal, metal clad (w/boot)             | extension housing (2WD)                   | 1    | 88-04       | 3515383       | 16695C    |
| G29  | Seal, metal clad (not in kits)        | adapter housing (4WD)                     | 2    | 88-04       | 4269956       | 205-19211 |
| G30  | Seal, metal clad 1.254x.775x.254"     | manual lever shaft                        | 1    | 88-04       | 3878447       | 22574     |
| <b>SEALING RINGS</b>                             |                                       |   |      |             |               |           |
| K10  | Kit, sealing ring                     | complete 15 rings                         | 1    | 88-04       | AE            | K12950C   |
| A31  | Ring, sealing (hook joint)            | stator support (pump support)             | 2    | 88-04       | 4471874       | 12600     |
| B32  | Ring, sealing (metal)                 | input shaft                               | 2    | 88-04       | 1401221       | 12853L    |
| B33  | Ring, sealing (hook joint)            | forward clutch housing                    | 1    | 88-04       | 4028333       | 12841     |
| F34  | Ring, sealing (hook joint)            | governor support                          | 3    | 88-04       | 4461011       | 12854     |
| H35  | Ring, sealing (metal)                 | kickdown servo piston (small)             | 1    | 88-04       | 3743033       | 12851     |
| H35  | Ring, sealing (teflon)                | kickdown servo piston (small)             | 1    | 88-04       | 3743033       | 12851T    |
| H35  | Ring, sealing (metal)                 | Mitsubishi (kickdown servo piston)(small) | 1    | 90-04       | 1672287       | 2716A     |
| H36  | Ring, sealing (butt joint)            | kickdown servo piston guide (large)       | 2    | 88-04       | 4295966       | 12852     |
| H36  | Ring, sealing (teflon)                | kickdown servo piston guide (large)       | 2    | 88-04       | 4295966T      | 12852T    |
| H36  | Ring, sealing (metal)                 | Mitsubishi (servo piston guide)(large)    | 2    | 90-04       | 1636470       | 2936B     |
| F39  | Ring, sealing (teflon)                | accumulator piston (small)                | 1    | 88-04       | 3743010       | 12853T    |
| H39  | Ring, sealing (metal)                 | accumulator piston (small)                | 1    | 88-04       | 3743010       | 12853L    |
| H40  | Ring, sealing (teflon)                | accumulator piston (large)                | 1    | 88-04       | 3743013       | 12770T    |
| H40  | Ring, sealing (metal)                 | accumulator piston (large)                | 1    | 88-04       | 3743013       | 12770     |
| n/i  | Ring, sealing (teflon)                | 3-4 accumulator piston (small)            | 1    | 88-04       | 4431959       | 12860T    |
| n/i  | Ring, sealing (teflon)                | 3-4 accumulator piston (large)            | 1    | 88-04       | 4431958       | 12861T    |
| <b>CLUTCH PLATES</b>                             |                                       |   |      |             |               |           |
| A41  | Friction .086" 4.940" od 45T          | direct clutch (tan smooth)                | 4/5  | 88-04       | 4329805       | 12750A    |
| A41  | Friction .086" 4.940" od 45T          | direct clutch (high energy)               | 4/5  | 88-04       | 4619362       | 12750C    |
| A42  | Steel .068" 3.950" id 12T             | direct clutch                             | 3/4  | 88-04       | 1942403       | 12751     |
| A42  | Steel .085" 3.950" id 12T             | direct clutch                             | 4    | 99-04       | 1942403AC     | 12751B    |
| A42  | Steel .088" 3.950" id 12T (oversized) | direct clutch                             | ar   | 88-04       | 1942403OS     | 12751X    |
| B42  | Steel .068" 3.950" id 12T             | forward clutch                            | 3/4  | 88-04       | 1942403       | 12751     |
| B42  | Steel .088" 3.950" id 12T (oversized) | forward clutch                            | ar   | 88-04       | 1942403OS     | 12751X    |
| B43  | Friction .061" 4.490" od 45T          | forward clutch (tan smooth)               | 4    | 88-04       | 4539178       | 12760B    |
| B43  | Friction .061" 4.490" od 45T          | forward clutch (high energy)              | 4    | 88-04       | 4617175       | 12760C    |
| D44  | Friction .087" 6.077" od 54T          | overdrive brake clutch (tan smooth)       | 2/4  | 88-04       | 4462153       | 12108     |
| D44  | Friction .087" 6.077" od 54T (waved)  | overdrive brake clutch                    | 4/5  | 93-04       | 4461181       | 12108A    |
| D45  | Steel .068" 5.024" id 12T             | overdrive brake clutch                    | 2    | 88-04       | 4461047       | 12107     |
| D46  | Friction .063" 5.475" od 54T          | overdrive direct clutch (tan smooth)      | 5/8  | 88-04       | 4461042       | 12110     |
| D47  | Steel .069" 4.685" id 12T             | overdrive direct clutch                   | 4/5  | 88-04       | 4461054       | 12109     |
| D47  | Steel .053" 4.685" id 12T             | overdrive direct clutch                   | 5/7  | 97-04       | 4864053       | 12109A    |
| <b>PRESSURE PLATES</b>                           |                                       |   |      |             |               |           |
| A48  | Pressure plate 8T                     | direct clutch                             | 1    | 88-04       | 2801969       | 12564-R   |
| A48  | Pressure plate                        | direct clutch                             | 1    | 99-04       | 4617176AB     | 12566-R   |
| B48  | Pressure plate 8T                     | forward clutch (backing)                  | 1    | 88-04       | 2801969       | 12564-R   |
| B49  | Pressure plate 8T (beveled)           | forward clutch (apply)                    | 1    | 88-04       | 2466281       | 12565-R   |
| D50  | Pressure plate .380"                  | overdrive clutch                          | 1/2  | 88-04       | 4461048       | 12105     |
| D51  | Pressure plate .220"                  | overdrive clutch                          | 1/2  | 88-04       | 4461033       | 12103     |

# A500 (40RH)(42RH)•500•42RE•44RE

A500•42RE•44RE

| ILL                                 | DESCRIPTION   | QTY | YEAR  | REFERENCE # | PART #     |
|-------------------------------------|---|-----|-------|-------------|------------|
| <b>PRESSURE PLATES (CONTINUED)</b>  |   |     |       |             |            |
| D52                                 | Pressure plate .215" overdrive direct clutch (backing)                  | 1   | 88-04 | 4461031     | 12102-R    |
| D52                                 | Pressure plate .085" overdrive direct clutch (backing)                  | 1   | 97-04 | 4461183     | 12102A-R   |
| D53                                 | Pressure plate (internal teeth) overdrive direct clutch (apply)         | 1   | 88-04 | 4461030     | 12106-R    |
| <b>FILTERS</b>                      |   |     |       |             |            |
| K9                                  | Kit, filter neoprene/cork   | 1   | 98-04 | AE          | FK6-12776E |
| K9                                  | Kit, filter Duraprene®  | 1   | 98-04 | AE          | DK6-12776E |
| K9                                  | Kit, filter (large dacron) neoprene/cork                                | 1   | 88-97 | AE          | FK6-12776C |
| K9                                  | Kit, filter (large dacron) Duraprene®                                   | 1   | 88-97 | AE          | DK6-12776C |
| H54                                 | Filter plastic  | 1   | 98-04 | 52118789    | 12776E     |
| H54                                 | Filter (large dacron) A500•42RE•44RE                                    | 1   | 88-97 | 3515996     | 12776C     |
| n/i                                 | Screen, filter governor   | 1   | 88-95 | 5205839     | 48712      |
| n/i                                 | Screen, filter pump suction   | 1   | 88-04 | 3878313     | 48713      |
| <b>BANDS</b>                        |   |     |       |             |            |
| A55                                 | Band, flex intermediate (kickdown)                                      | 1   | 88-04 | 4058863     | 12905F     |
| A55                                 | Band, flex (wide) intermediate (kickdown)                               | 1   | 88-04 | 4617849     | 12905B     |
| C56                                 | Band, split 2" wide reverse   | 1   | 88-04 | 4443187     | 12820A     |
| C56                                 | Band, solid 1 3/8" wide reverse   | 1   | 88-04 | 4443184     | 12820      |
| <b>BUSHINGS</b>                     |   |     |       |             |            |
| K13                                 | Kit, bushing A500•42RE•44RE   | 1   | 88-04 | AE          | K12952C    |
| A57                                 | Bushing (babbit) 38.113mm bore A500 (pump body)                         | 1   | 88-04 | 2466796     | 12502      |
| A58                                 | Bushing A500 (direct drum rear)   | 1   | 88-92 | 281727      | 12505A     |
| A58                                 | Bushing (not in kits) A500 (direct drum rear)                           | 1   | 93-04 | 4617159     | 12512      |
| A59                                 | Bushing (not in kits) A500 (direct drum front)                          | 1   | 93-04 | 4617157     | 12511      |
| A60                                 | Bushing A500 (stator support rear)                                      | 1   | 88-04 | 2801728     | 12503B     |
| C61                                 | Bushing A500 (sun gear)(front/rear)                                     | 2   | 88-04 | 1942436     | 12507      |
| B62                                 | Bushing A500 (front ring gear)  | 1   | 88-04 | 3681967     | 12506      |
| F63                                 | Bushing A500 (output shaft large)                                       | 1   | 88-04 | 4461006     | 12509      |
| F64                                 | Bushing A500 (output shaft small)                                       | 1   | 88-04 | 4461007     | 12510      |
| G65                                 | Bushing, extension housing A500 (extension housing)                     | 1   | 88-04 | 2801724     | 6023       |
| E75                                 | Bushing 1.430" od A500 (overdrive sun gear)(front/rear)                 | 2   | 88-04 | 4461025     | 12508      |
| E75                                 | Bushing w/flange (not in kits) A500 (overdrive sun gear)(front)         | ar  | 88-04 | n/a         | 12508A     |
| E75                                 | Bushing 1.515" od (not in kits) A500 (overdrive sun gear)(front)        | ar  | 99-04 | n/a         | 12508B     |
| <b>WASHERS/BEARINGS/RACES/SHIMS</b> |   |     |       |             |            |
| K14                                 | Kit, thrust washer A500•42RE•44RE                                       | 1   | 88-04 | AE          | K12951C    |
| K17                                 | Kit, thrust bearing A500•42RE•44RE                                      | 1   | 88-04 | AE          | K12906     |
| A66                                 | Thrust washer (fiber) stator to direct drum                             | 1   | 88-04 | 4614164     | 12606A     |
| B66                                 | Thrust washer (fiber) direct drum to forward drum                       | 1   | 98-04 | 4614164     | 12606A     |
| B67                                 | Thrust washer 1 outside tab forward drum to front ring gear             | 1   | 88-04 | 3681969     | 12620B     |
| B68                                 | Thrust washer .052" 2 tabs on id (gray) forward drum to race            | sel | 88-89 | 4269196     | 12705F     |
| B68                                 | Thrust washer .068" 2 tabs on id forward drum to race (red/purple)      | sel | 88-89 | 4269197     | 12705G     |
| B68                                 | Thrust washer .083" 2 tabs on id (green) forward drum to race           | sel | 88-89 | 4269198     | 12705H     |
| B68                                 | Race front end of output shaft  | 1   | 88-89 | 4058982     | 12705K     |
| B68                                 | Thrust washer .052" 3 external tabs (gray) forward drum to race         | sel | 90-04 | 4505185     | 12706      |
| B68                                 | Thrust washer .068" 3 external tabs (red) forward drum to race          | sel | 90-04 | 4505186     | 12706A     |
| B68                                 | Race front end of output shaft (small id hole)                          | 1   | 90-04 | 4505188     | 12707      |
| B69                                 | Thrust washer 2 5/8" id 4 tabs front planetary (front and rear)         | 2   | 88-04 | 4130518     | 12780J     |
| C70                                 | Thrust washer 2" id 4 tabs rear planetary (front and rear)              | 2   | 88-04 | 3681935     | 12780H     |
| C71                                 | Thrust washer 2 tabs rear ring gear hub to reverse drum                 | 1   | 88-04 | 4431435     | 12735      |
| C72                                 | Thrust plate 28T (not in kits) sun gear to drive shell to thrust washer | 2   | 88-04 | 4471566     | 12659      |
| D73                                 | Thrust washer .138" overdrive piston to thrust bearing                  | sel | 88-04 | 4431731     | 12736      |
| D73                                 | Thrust washer .153" overdrive piston to thrust bearing                  | sel | 88-04 | 4431586     | 12736A     |
| D73                                 | Thrust washer .168" overdrive piston to thrust bearing                  | sel | 88-04 | 4431732     | 12736B     |
| D73                                 | Thrust washer .183" overdrive piston to thrust bearing                  | sel | 88-04 | 4431587     | 12736C     |

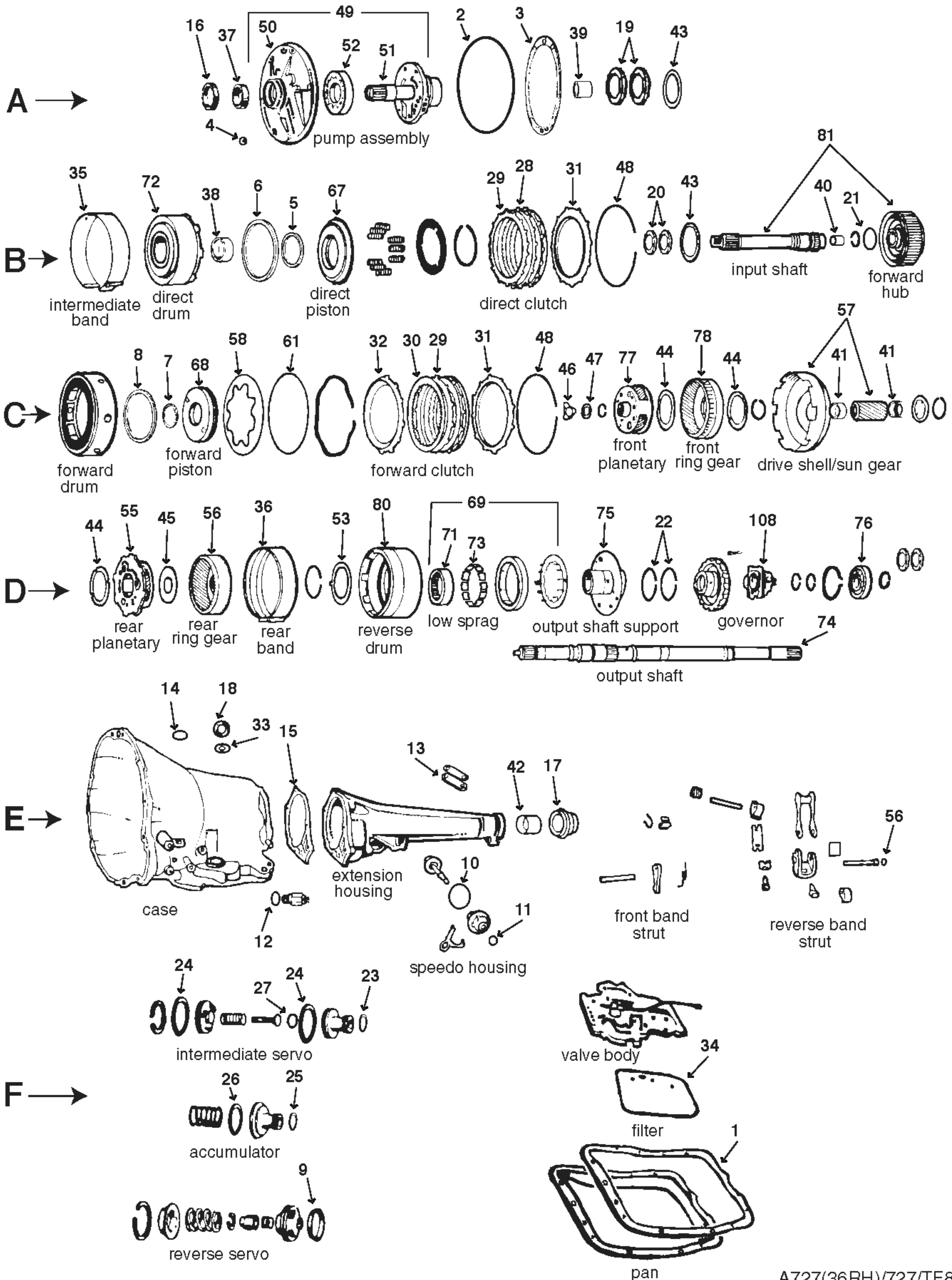
# A500 (40RH)(42RH)•500•42RE•44RE

A500•42RE•44RE

| ILL   | DESCRIPTION  | QTY | YEAR  | REFERENCE # | PART #    |
|---|--|-----|-------|-------------|-----------|
| <b>WASHERS/BEARINGS/RACES/SHIMS (CONTINUED)</b> |  |     |       |             |           |
| D73   | Thrust washer .198" overdrive piston to thrust bearing                       | sel | 88-04 | 4431733     | 12736D    |
| D73   | Thrust washer .213" overdrive piston to thrust bearing                       | sel | 88-04 | 4431588     | 12736E    |
| D73   | Thrust washer .228" overdrive piston to thrust bearing                       | sel | 88-04 | 4431734     | 12736F    |
| D73   | Thrust washer .243" overdrive piston to thrust bearing                       | sel | 88-04 | 4431590     | 12736G    |
| E74   | Spacer .158" intermediate shaft to overdrive planetary                       | sel | 88-04 | 4431916     | 12737     |
| E74   | Spacer .175" intermediate shaft to overdrive planetary                       | sel | 88-04 | 4431917     | 12737A    |
| E74   | Spacer .193" intermediate shaft to overdrive planetary                       | sel | 88-04 | 4431918     | 12737B    |
| E74   | Spacer .211" intermediate shaft to overdrive planetary                       | sel | 88-04 | 4431919     | 12737C    |
| E76   | Bearing, thrust overrun inner race to output shaft                           | 1   | 88-04 | 4461014     | 12420     |
| E77   | Bearing, thrust od carrier w/thrust plate to od planetary                    | 1   | 88-04 | 4740774     | 12422     |
| D81   | Bearing, thrust thrust washer to overdrive direct hub                        | 1   | 88-04 | 4446724     | 12423     |
| <b>SNAP RINGS</b>                               |  |     |       |             |           |
| E78   | Snap ring overdrive thrust plate   | 1   | 88-04 | 4461063     | 12640     |
| E79   | Snap ring (round) overdrive sun gear (safety)                                | 1   | 88-04 | 4461064     | 12641     |
| n/i   | Snap ring (waved) overdrive direct clutch                                    | 1   | 88-04 | 4461032     | 12310     |
| n/i   | Snap ring overdrive clutch   | 1   | 88-04 | 4461065     | 12311     |
| <b>PUMP PARTS AND PUMPS</b>                     |  |     |       |             |           |
| A80   | Pump, complete w/lugs w/o lock up  | 1   | 88-92 | AE          | 12200B-R  |
| A80   | Pump, complete w/lugs w/lock up  | 1   | 88-92 | AE          | 12200C-R  |
| A80   | Pump, complete w/flats, w/o lock up w/2 bushing direct drive                 | 1   | 93-95 | AE          | 12200H-R  |
| A80   | Pump, complete w/flats, w/lock up w/2 bushing direct drum and 2 feed holes   | 1   | 93-95 | AE          | 12200J-R  |
| A80   | Pump, complete w/flats, w/lock up w/2 bushing direct drum and 3 feed holes   | 1   | 96-04 | AE          | 12200K-R  |
| A80   | Pump, complete w/flats, w/o lock up w/2 bushing direct drum and 3 feed holes | 1   | 96-04 | AE          | 12200L-R  |
| A82   | Gear, pump (rotor type) w/lugs   | 1   | 88-92 | AE          | K12201A   |
| A82   | Gear, pump (rotor type) w/flats  | 1   | 93-04 | AE          | K12201F   |
| A83   | Support, stator w/lock up  | 1   | 88-92 | 4058413     | 12400B-R  |
| A83   | Support, stator w/o lock up  | 1   | 88-92 | 4058941     | 12400E-R  |
| <b>HARD PARTS</b>                               |  |     |       |             |           |
| A84   | Drum, direct clutch A500   | 1   | 88-92 | 3621476     | 12560B-R  |
| A84   | Drum, direct clutch A500   | 1   | 88-92 | 3743382     | 12560C-R  |
| A84   | Drum, direct clutch w/2 bushings   | 1   | 93-99 | 4531285     | 12560F-R  |
| A84   | Drum, direct clutch w/outer seal in drum                                     | 1   | 99-04 | 617405AB    | 12560G-R  |
| A85   | Piston, direct clutch w/outer seal in drum                                   | 1   | 99-04 | 4617154AB   | 12562     |
| B86   | Drum, forward clutch (w/input shaft) w/lock-up                               | 1   | 88-89 | 4186879     | 12122-R   |
| B86   | Drum, forward clutch (w/input shaft) w/lock-up                               | 1   | 90-04 | 4505199     | 12122A-R  |
| B87   | Spring, diaphragm A500 (forward clutch)                                      | 1   | 88-04 | 1942414     | 12745     |
| B88   | Planetary, 4 pinions (steel large) A500 (front)                              | 1   | 88-04 | 4130514     | 12137-R   |
| B89   | Gear, ring (w/hub) A500 (front)  | 1   | 88-04 | 2892656     | 12130-R   |
| C90   | Drum, reverse A500   | 1   | 88-04 | 4531208     | 12155-R   |
| G91   | Cam, overrun clutch outer  | 1   | 88-04 | 4431690     | K12961B-R |
| D92   | Support, intermediate shaft years w/plugs (od clutch piston retainer)        | 1   | 88-04 | 4446722     | 12783     |
| D92   | Support, intermediate shaft hydraulic (od clutch piston retainer)            | 1   | 88-95 | 4446722     | 12783-R   |
| D92   | Support, intermediate shaft electronic (od clutch piston retainer)           | 1   | 94-04 | AE          | 12783A-R  |
| D95   | Shaft, intermediate A500   | 1   | 88-04 | 4617251     | 12175     |
| F98   | Governor assembly A500   | 1   | 88-95 | 4863714     | 12410B-R  |
| F99   | Support, governor retainer (sleeve) A500                                     | 1   | 88-95 | 4461002     | 12875     |
| F102  | Bearing, ball A500   | 1   | 88-04 | 4461008     | 6014N     |
| F103  | Bearing, ball A500   | 1   | 88-04 | 2466224     | 22976     |
| C104  | Shell, drive (w/sun gear) A500   | 1   | 88-92 | 4130685     | 12128-R   |
| C104  | Shell, drive (w/sun gear) A500   | 1   | 93-04 | 4531288     | 12128A-R  |
| E106  | Kit, planetary/sun gear/ring gear w/sun gear and thrust plate/bearing        | 1   | 88-04 | 4874396     | K12936    |
| E106  | Kit, planetary/sun gear/ring gear w/sun gear and thrust plate/bearing        | 1   | 88-04 | 4874396     | K12936-R  |
| E106  | Kit, planetary/sun gear/ring gear w/sun gear and thrust plate/bearing        | 1   | 88-04 | 4874392     | K12936A   |

| ILL                           | DESCRIPTION                             |                                     | QTY | YEAR  | REFERENCE # | PART #       |
|-------------------------------|---|-------------------------------------|-----|-------|-------------|--------------|
| <b>HARD PARTS (CONTINUED)</b> |   |                                     |     |       |             |              |
| E106                          | Kit, planetary/sun gear/ring gear       | w/sun gear and thrust plate/bearing | 1   | 88-04 | 4874392     | K12936A-R    |
| E107                          | Race, inner overdrive                   | A500                                | 1   | 88-04 | 4461124     | 12933-R      |
| E108                          | Gear, overdrive ring (22° pitch)        | early pitch                         | 1   | 88-04 | 4746348     | 12937-R      |
| E108                          | Gear, overdrive ring (15° pitch)        | late pitch                          | 1   | 88-04 | 4461012     | 12937A-R     |
| E112                          | Hub, overdrive direct clutch            | A500                                | 1   | 88-04 | 4461072     | 12938-R      |
| E113                          | Spring, coil                            | A500                                | 1   | 88-04 | 4461027     | 12603        |
| n/i                           | Lever, detent w/insulator               | rooster comb                        | 1   | 88-04 | 3410484     | 22420-R      |
| n/i                           | Bolt, converter 5/16"x7/16"             | 5/16 x7/16"                         | 4   | 88-04 | M99122B4    | 96-161       |
| n/i                           | Piston, reverse servo (steel)           | A500•42RE•44RE                      | 1   | 88-04 | K030        | 12528        |
| n/i                           | Spring                                  | A500 (3/4 accumulator)              | 1   | 89-04 | AE          | SON-12861-01 |
| n/i                           | VB spacer plate, improved               | w/o lock-up boost tube              | 1   | 88-94 | TF-PLT-94B  | 12531        |
| n/i                           | VB spacer plate, improved               | A500 (w/4 land switch valve)        | 1   | 92-94 | TF-PLT-95B  | 22532        |
| n/i                           | VB spacer plate, improved               | w/lock-up boost tube                | 1   | 95-02 | TF-PLT-95S  | 12532        |
| n/i                           | Piston, accumulator (aluminum)          | A500 (in case)                      | 1   | 88-04 | 3743650     | 12703-R      |
| <b>ELECTRICAL COMPONENTS</b>  |   |                                     |     |       |             |              |
| F121                          | Solenoid                                | A500 (overdrive)                    | 1   | 88-95 | 4883714AA   | 5A-152       |
| F121                          | Solenoid                                | A500 (overdrive and lock-up/TCC)    | 1   | 88-95 | 4883715AA   | 15A-301      |
| F121                          | Solenoid w/governor sensor              | A500 (overdrive and lock-up/TCC)    | 1   | 94-99 | 56041403    | 5A-396       |
| F121                          | Solenoid w/o governor sensor            | A500 (overdrive and lock-up/TCC)    | 1   | 94-99 | 52118652    | 5A-396A      |
| F121                          | Solenoid (4th design)                   | overdrive and lock-up/TCC           | 1   | 00-04 | 52118500AB  | 5A-396B      |
| G122                          | Switch, neutral safety 3 prongs (short) | A500 (MLPS)                         | 1   | 88-99 | 4057750     | 15A-627C     |
| G122                          | Switch, neutral safety (3 flat spades)  | A500 (MLPS)                         | 1   | 96-03 | 53028181AB  | 15A-627F     |
| G122                          | Switch, neutral safety (5 pins)         | 42/44RE (MLPS)                      | 1   | 01-04 | 56045489AC  | 15A-627G     |
| n/i                           | Sensor 4 prongs w/90° connector         | governor pressure (3rd design)      | 1   | 96-99 | 56041403    | 5A-406       |
| n/i                           | Sensor (4th design)                     | governor pressure                   | 1   | 00-04 | 56028196AA  | 5A-406A      |
| n/i                           | Sensor (24mm)                           | transmission output                 | 1   | 96-04 | 4412879     | 5A-300       |
| n/i                           | Solenoid                                | A500 (governor pressure)            | 1   | 96-04 | 4617210     | 5A-407       |
| n/i                           | Repair kit, governor pressure solenoid  | w/reamer                            | 1   | 94-04 | TF-GOV-SOL  | 5A-407-RKR   |
| n/i                           | Harness, external repair (8 pins)       | 42/44RE                             | 1   | 94-04 |             | 16A-400      |
| <b>SPRAGS</b>                 |   |                                     |     |       |             |              |
| G93                           | Sprag, roller clutch                    | A500 (low)                          | 1   | 88-04 | 4431432     | 32502        |
| F101                          | Sprag, roller clutch                    | overdrive                           | 1   | 88-04 | 4461015     | 12963        |
| <b>NOTES</b>                  |   |                                     |     |       |             |              |
|                               |   |                                     |     |       |             |              |
|                               |   |                                     |     |       |             |              |
|                               |   |                                     |     |       |             |              |
|                               |   |                                     |     |       |             |              |
|                               |   |                                     |     |       |             |              |
|                               |   |                                     |     |       |             |              |
|                               |   |                                     |     |       |             |              |
|                               |   |                                     |     |       |             |              |
|                               |   |                                     |     |       |             |              |
|                               |   |                                     |     |       |             |              |
|                               |   |                                     |     |       |             |              |
|                               |   |                                     |     |       |             |              |
|                               |   |                                     |     |       |             |              |
|                               |   |                                     |     |       |             |              |
|                               |   |                                     |     |       |             |              |
|                               |   |                                     |     |       |             |              |
|                               |   |                                     |     |       |             |              |
|                               |   |                                     |     |       |             |              |
|                               |   |                                     |     |       |             |              |
|                               |   |                                     |     |       |             |              |
|                               |   |                                     |     |       |             |              |
|                               |   |                                     |     |       |             |              |





A727(36RH)/727/TF8  
22000

| ILL                                  | DESCRIPTION                            | QTY | YEAR  | REFERENCE # | PART #    |
|--------------------------------------|--|-----|-------|-------------|-----------|
| <b>TECHNICAL MANUALS</b>             |  |     |       |             |           |
| K53                                  | Tech manual A727/ A904, dis/assembly   | 1   | 62-01 | 83-727904TM | 010-102   |
| <b>REBUILDER KITS</b>                |  |     |       |             |           |
| K4                                   | Master deluxe rebuild kit              | 1   | 62-01 | AE          | K225E-R   |
| K4                                   | Master deluxe rebuild kit              | 1   | 62-70 | AE          | K225C-R   |
| K4                                   | Master deluxe rebuild kit              | 1   | 71-01 | AE          | K225D-R   |
| K4                                   | Master deluxe rebuild kit              | 1   | 71-01 | AE          | H225D-R   |
| K5                                   | Master kit w/steels                    | 1   | 62-01 | AE          | K225E     |
| K5                                   | Master kit w/steels                    | 1   | 62-70 | AE          | K225C     |
| K5                                   | Master kit w/steels                    | 1   | 71-01 | AE          | K225D     |
| K5                                   | Master kit w/steels w/short ring kit   | 1   | 71-01 | AE          | K225DS    |
| K6                                   | Master kit w/o steels                  | 1   | 62-01 | AE          | K225E-LS  |
| K6                                   | Master kit w/o steels                  | 1   | 62-70 | AE          | K225C-LS  |
| K6                                   | Master kit w/o steels                  | 1   | 71-01 | AE          | K225D-LS  |
| K6                                   | Master kit w/o steels w/short ring kit | 1   | 71-01 | AE          | K225DS-LS |
| K7                                   | O/H gasket set w/seals-rings           | 1   | 62-70 | AE          | K22950B   |
| K7                                   | O/H gasket set w/seals-rings           | 1   | 71-01 | AE          | K22950C   |
| K7                                   | O/H gasket set w/seals-rings           | 1   | 71-01 | AE          | K22950CS  |
| K8                                   | Kit, external seal                     | 1   | 62-01 | AE          | K22950-2  |
| K11                                  | Gasket and seal kit                    | 1   | 62-70 | AE          | K22950B-1 |
| K11                                  | Gasket and seal kit                    | 1   | 71-01 | AE          | K22950C-1 |
| K28                                  | Kit, accumulator D-rings               | 1   | 78-01 | AE          | K12900-3  |
| <b>VALVE BODY KITS</b>               |  |     |       |             |           |
| K15                                  | NoYoYo® command service kit fix        | 1   | 62-01 | SK® TF-SC   | K22908    |
| K15                                  | Reprogramming Kit™                     | 1   | 62-01 | TF-2        | TF-2      |
| K15                                  | Reprogramming Kit™ stick shift         | 1   | 62-01 | TF-3        | TF-3      |
| K15                                  | Shift Correction Package               | 1   | 62-01 | KTF/TC      | S22908    |
| K15                                  | Shift Improver Kit                     | 1   | 66-70 | 10226       | 114-10226 |
| K15                                  | Shift Improver Kit                     | 1   | 71-77 | 10225       | 114-10225 |
| K15                                  | Shift Improver Kit                     | 1   | 78-79 | 10232       | 114-10232 |
| K15                                  | Transpak™                              | 1   | 62-77 | 10228       | 114-10228 |
| K15                                  | Transpak™                              | 1   | 78-79 | 10227       | 114-10227 |
| K15                                  | Manual Pak™                            | 1   | 62-79 | 10219       | 114-10219 |
| n/i                                  | Spring, lock-up/TCC                    | 1   | 78-01 | MT8707      | 22981     |
| <b>GASKETS AND RUBBER COMPONENTS</b> |  |     |       |             |           |
| F1                                   | Gasket, oil pan                        | 1   | 62-01 | 2454324     | 3859LX    |
| F1                                   | Gasket, oil pan                        | 1   | 62-01 | 2464324     | 3859D     |
| A2                                   | Seal, lathe cut                        | 1   | 62-01 | 1942021     | 3857L     |
| A3                                   | Gasket                                 | 1   | 62-01 | 4028377     | 3856L     |
| A4                                   | Washer, coated                         | 7   | 62-01 | 6023943     | 13268A    |
| B5                                   | Lip seal                               | 1   | 62-71 | 2124820     | 3863L     |
| B5                                   | Lip seal                               | 1   | 71-01 | 3410226     | 13310     |
| B5                                   | Lip seal                               | 1   | 71-01 | B28313      | 23522     |
| B6                                   | Lip seal                               | 1   | 62-71 | 2124821     | 3272L     |
| B6                                   | Lip seal                               | 1   | 71-01 | 3743237     | 13309     |
| C7                                   | Lip seal                               | 1   | 62-01 | 1942054     | 3647L     |
| C8                                   | Lip seal                               | 1   | 62-01 | 2124835     | 3391L     |
| F9                                   | Lip seal (viton)                       | 1   | 64-01 | 4058741     | 3876L     |
| E10                                  | O'ring                                 | 1   | 62-65 | 1942259     | 3547L     |
| E10                                  | O'ring                                 | 1   | 66-01 | 6031370     | 3301AL    |
| E11                                  | Lip seal                               | 1   | 62-65 | 2124328     | 3991AL    |
| E11                                  | Lip seal w/o spring                    | 1   | 66-76 | 2538588     | 3991LS    |
| E11                                  | Lip seal w/spring                      | 1   | 66-76 | 2538588HD   | 3991L     |
| E11                                  | Lip seal                               | 1   | 77-01 | 4057047     | 3991AL    |

# A727 (36RH)•727•TF8

A727•TF8

| ILL  | DESCRIPTION                                |  | QTY | YEAR  | REFERENCE # | PART #    |
|--|--|--|-----|-------|-------------|-----------|
| <b>GASKETS AND RUBBER COMPONENTS (CONTINUED)</b> |  |  |     |       |             |           |
| E12  | Washer (tapered)                           | A727 (neutral safety switch to case)     | 1   | 68-01 | 2908143     | 2627W     |
| E12  | O'ring                                     | A727 (neutral safety switch to case)     | 1   | 62-67 | 1316849     | 13849     |
| E13  | Gasket                                     | A727 (extension housing snap ring cover) | 1   | 66-01 | 2801398     | 13254     |
| E14  | O'ring                                     | filler tube to case                      | 1   | 62-96 | 1316815     | 3291L     |
| E14  | Multi lip seal                             | A727 (filler tube to case)               | 1   | 97-01 | 52118629AB  | 13928     |
| E15  | Gasket                                     | A727 (extension housing to case)         | 1   | 66-01 | 2466954     | 13253     |
| F27  | O'ring                                     | kickdown servo piston (inner)            | 1   | 71-01 | 6028864     | 13332     |
| E33  | Lip seal                                   | A727 (throttle shaft)                    | 1   | 62-01 | 2466548     | 13207     |
| E56  | O'ring                                     | reverse band lever shaft                 | 1   | 62-01 | 3151160     | 13917     |
| <b>METAL CLAD SEALS</b>                          |  |  |     |       |             |           |
| A16  | Seal, metal clad                           | front                                    | 1   | 62-01 | 3515137     | 22573A    |
| E17  | Seal, metal clad (w/boot)                  | A727 (extension housing)                 | 1   | 65-01 | 3515383     | 16695C    |
| E17  | Seal, metal clad (w/flange w/o boot)       | A727 (extension housing)                 | 1   | 65-01 | 3515383NB   | 4743C     |
| E17  | Seal, metal clad                           | A727 (extension housing w/bolt-on yoke)  | 1   | 62-86 | 2205080     | 22978     |
| E17  | Seal, metal clad                           | A727 (extension housing w/bolt-on yoke)  | 1   | 87-01 | 4412507     | 22979     |
| E18  | Seal, metal clad 3/8" thick oversize       | A727 (manual control lever closed type)  | 1   | 66-01 | 3878447HD   | 22575     |
| E18  | Seal, metal clad 1.254x.775x.254"          | A727 (manual lever shaft)                | 1   | 66-01 | 3878447     | 22574     |
| n/i  | Seal, metal clad                           | A727 (adapter housing 4WD)               | 1   | 74-01 | 8132504     | 205-19236 |
| <b>SEALING RINGS</b>                             |  |  |     |       |             |           |
| K10  | Kit, sealing ring                          | TF8/A727                                 | 1   | 62-70 | AE          | K22952A   |
| K10  | Kit, sealing ring                          | TF8/A727                                 | 1   | 71-01 | AE          | K22952B   |
| K10  | Kit, sealing ring                          | w/o servo and accumulator rings          | 1   | 71-01 | AE          | K22952S   |
| B19  | Ring, sealing                              | stator support                           | 2   | 62-70 | 2124813     | 22550     |
| B19  | Ring, sealing                              | stator support                           | 2   | 71-01 | 3515321     | 22550A    |
| B19  | Ring, sealing                              | stator support                           | 2   | 78-01 | 3743689     | 22550C    |
| B20  | Ring, sealing                              | input shaft                              | 2   | 62-66 | 1942041     | 22626     |
| B20  | Ring, sealing                              | input shaft                              | 2   | 67-93 | 2801054     | 22626A    |
| B20  | Ring, sealing                              | input shaft                              | 2   | 94-01 | 4741836     | 22627     |
| B21  | Ring, sealing                              | rear clutch retainer                     | 1   | 78-01 | 4058443     | 22841     |
| D22  | Ring, sealing (butt joint)                 | governor support                         | 2   | 62-01 | 1942109     | 12850     |
| F23  | Ring, sealing (butt joint)                 | intermediate servo piston (small)        | 1   | 62-01 | 2124851     | 22840     |
| F24  | Ring, sealing (butt joint)                 | inter servo piston (large)(servo guide)  | 2   | 62-01 | 1942123     | 22827     |
| F25  | Ring, sealing (metal)                      | accumulator piston (small)               | 1   | 62-01 | 1941831     | 12853L    |
| F26  | Ring, sealing (metal)                      | accumulator piston (large)               | 1   | 62-01 | 1315158     | 12770     |
| <b>CLUTCH PLATES</b>                             |  |  |     |       |             |           |
| B28  | Friction .095" 6.700" od 62T (waffle)      | direct clutch                            | 3/4 | 62-01 | 4329846     | 22595B    |
| B28  | Friction .095" 6.700" od 62T               | direct clutch (waffle)(green)            | 3/4 | 62-01 | 4329846     | 22595C    |
| B28  | Friction .061" 6.700" od 62T               | direct clutch (high performance)         | 4/5 | 62-01 | 2801992HP   | 22642H    |
| B28  | Friction .095" 6.700" od 62T (high energy) | direct clutch                            | 3/4 | 62-01 | 4617202     | 22595D    |
| B29  | Steel .068" 5.342" id 12T                  | direct clutch                            | 3/4 | 62-01 | 2124826     | 22594     |
| B29  | Steel .088" 5.342" id 12T (oversized)      | direct clutch                            | ar  | 62-01 | 21248260S   | 22594X    |
| B29  | Steel .068" 5.342" id 12T (Kolene®)        | direct clutch                            | 3/4 | 62-01 | 2124826     | 22594K    |
| C29  | Steel .068" 5.342" id 12T                  | forward clutch                           | 3/4 | 62-01 | 2124826     | 22594     |
| C29  | Steel .088" 5.342" id 12T (oversized)      | forward clutch                           | ar  | 62-01 | 21248260S   | 22594X    |
| C29  | Steel .068" 5.342" id 12T (Kolene®)        | forward clutch                           | 3/4 | 62-01 | 2124826     | 22594K    |
| C30  | Friction .061" 6.700" od 62T (smooth) 62T  | forward clutch                           | 4   | 62-01 | 2801992     | 22642A    |
| C30  | Friction .061" 6.700" od 62T               | forward clutch (high performance)        | 4   | 62-01 | 2801992HP   | 22642H    |
| <b>PRESSURE PLATES</b>                           |  |  |     |       |             |           |
| B31  | Pressure plate                             | direct clutch                            | 1   | 62-01 | 2801961     | 22940-R   |
| B31  | Pressure plate (stepped plate)             | direct clutch                            | ar  | 62-01 | AE          | 22940S-R  |
| C31  | Pressure plate                             | forward clutch                           | 1   | 62-01 | 2801961     | 22940-R   |
| C31  | Pressure plate (stepped plate)             | forward clutch                           | ar  | 62-01 | AE          | 22940S-R  |
| C32  | Pressure plate (beveled)                   | forward clutch (apply)                   | 1   | 66-01 | 3466803     | 22760-R   |

| ILL                                 | DESCRIPTION  | QTY | YEAR  | REFERENCE # | PART #     |
|-------------------------------------|--|-----|-------|-------------|------------|
| <b>FILTERS</b>                      |  |     |       |             |            |
| K9                                  | Kit, filter (small dacron) neoprene/cork                           | 1   | 62-65 | AE          | FK8-12776A |
| K9                                  | Kit, filter (small brass) neoprene/cork                            | 1   | 62-65 | AE          | FK8-12776B |
| K9                                  | Kit, filter neoprene/cork  | 1   | 66-01 | AE          | FK8-12776C |
| K9                                  | Kit, filter neoprene/cork  | 1   | 66-01 | AE          | FK8-12776D |
| K9                                  | Kit, filter (combo w/large dacron) neoprene/cork                   | 1   | 66-01 | AE          | CFK-12776C |
| K9                                  | Kit, filter (combo w/large dacron) Duraprene®                      | 1   | 66-01 | AE          | CDK-12776C |
| K9                                  | Kit, filter (small dacron) Duraprene®                              | 1   | 62-65 | AE          | DK8-12776A |
| K9                                  | Kit, filter (small brass) Duraprene®                               | 1   | 62-65 | AE          | DK8-12776B |
| K9                                  | Kit, filter Duraprene®   | 1   | 66-01 | AE          | DK8-12776C |
| K9                                  | Kit, filter (large brass) Duraprene®                               | 1   | 66-01 | AE          | DK8-12276D |
| F34                                 | Filter (small dacron) TF8/A727                                     | 1   | 62-65 | 3621456     | 12776A     |
| F34                                 | Filter (small brass) TF8/A727                                      | 1   | 62-65 | 3410253     | 12776B     |
| F34                                 | Filter (large dacron) TF8/A727                                     | 1   | 66-01 | 3515996     | 12776C     |
| F34                                 | Filter (large brass) TF8/A727                                      | 1   | 66-01 | 3575996     | 12776D     |
| n/i                                 | Filter (in line assembly) TF8/A727                                 | 1   | 62-01 | 33243       | 22776      |
| n/i                                 | Screen, filter TF8/A727  | 1   | 62-01 | 5205839     | 48712      |
| n/i                                 | Screen, filter TF8/A727  | 1   | 69-01 | 3878313     | 48713      |
| <b>BANDS</b>                        |  |     |       |             |            |
| B35                                 | Band, flex intermediate (kickdown)                                 | 1   | 62-01 | 3621491     | 22825F     |
| D36                                 | Band reverse (rear)  | 1   | 62-89 | 4443185     | 22900      |
| D36                                 | Band reverse (rear small diameter)                                 | 1   | 90-93 | 4505091     | 22900A     |
| D36                                 | Band reverse (rear large diameter)                                 | 1   | 91-01 | 4471456     | 22900B     |
| <b>BUSHINGS</b>                     |  |     |       |             |            |
| K13                                 | Kit, bushing TF8/A727  | 1   | 62-70 | AE          | K22902     |
| K13                                 | Kit, bushing TF8/A727  | 1   | 71-01 | AE          | K22902A    |
| A37                                 | Bushing (babbit) front pump body                                   | 1   | 62-01 | 2205031     | 22003      |
| A37                                 | Bushing (bronze) front pump body                                   | 1   | 62-01 | 2466324     | 22003A     |
| A37                                 | Bushing (bronze w/dimples) front pump body                         | 1   | 62-01 | 4531163     | 22003B     |
| B38                                 | Bushing direct drum (narrow)                                       | 1   | 62-70 | 2205241     | 22006      |
| B38                                 | Bushing (w/oil groove) direct drum                                 | 1   | 71-01 | 4058647     | 22006B     |
| A39                                 | Bushing (not in kits) stator support                               | 1   | 62-66 | 2205240     | 22005      |
| A39                                 | Bushing stator support   | 1   | 67-93 | 2801348     | 22005A     |
| A39                                 | Bushing (not in kits) stator support                               | 1   | 94-01 | 4617416     | 22005B     |
| B40                                 | Bushing input shaft  | 1   | 62-89 | 3681709     | 22001      |
| C41                                 | Bushing sun gear (front and rear)                                  | 2   | 62-01 | 1736520     | 22002      |
| E42                                 | Bushing, extension housing A727 (extension housing)                | 1   | 62-01 | 2801724     | 6023       |
| n/i                                 | Bushing (plastic) front ring gear                                  | 1   | 94-01 | 4617951     | 22025      |
| <b>WASHERS/BEARINGS/RACES/SHIMS</b> |  |     |       |             |            |
| K14                                 | Kit, thrust washer w/3 tabs  | 1   | 62-65 | AE          | K22951     |
| K14                                 | Kit, thrust washer w/4 tabs  | 1   | 66-89 | AE          | K22951A    |
| K14                                 | Kit, thrust washer w/4 tabs  | 1   | 90-01 | AE          | K22951B    |
| A43                                 | Thrust washer .043" stator support to direct drum                  | sel | 62-01 | 2204621     | 22449      |
| A43                                 | Thrust washer .061" stator support to direct drum                  | sel | 62-01 | 2204622     | 22449A     |
| A43                                 | Thrust washer .084" stator support to direct drum                  | sel | 62-01 | 2204623     | 22449C     |
| A43                                 | Thrust washer .102" stator support to direct drum                  | sel | 62-01 | 2400284     | 22449D     |
| B43                                 | Thrust washer .061" stator support to direct drum                  | 1   | 62-01 | 2204622     | 22449A     |
| CD44                                | Thrust washer 3 tabs frt planet to frt rg gr to shell to rr plt    | 1/3 | 62-89 | 1942081     | 22700      |
| CD44                                | Thrust washer 4 tabs frt planet to frt rg gr to shell to rr plt    | 2   | 89-01 | 2801060     | 22700A     |
| CD44                                | Thrust washer 5 tabs frt planet to frt rg gr to shell to rr plt    | 2   | 96-01 | 4130518     | 22700B     |
| C44                                 | Thrust washer 6 tabs front ring gear to shell                      | 1   | 96-01 | 4618000     | 22700C     |
| D45                                 | Thrust plate rear ring gear  | 1   | 65-01 | 2400580     | 22702      |
| C46                                 | Thrust washer (bronze) forward hub to race                         | 1   | 62-79 | 2400843     | 22665      |
| C46                                 | Thrust washer 3 external tabs forward hub to race (oversize shaft) | 1   | 77-89 | 3681688     | 22665X     |

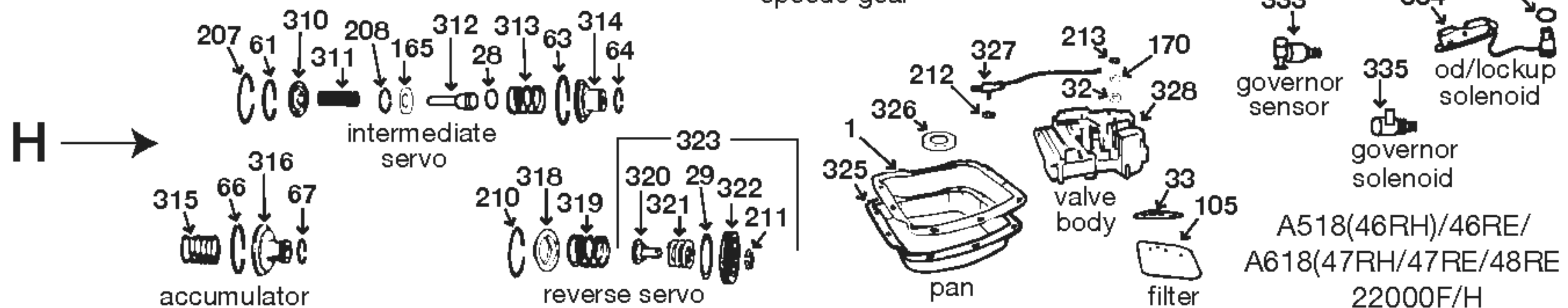
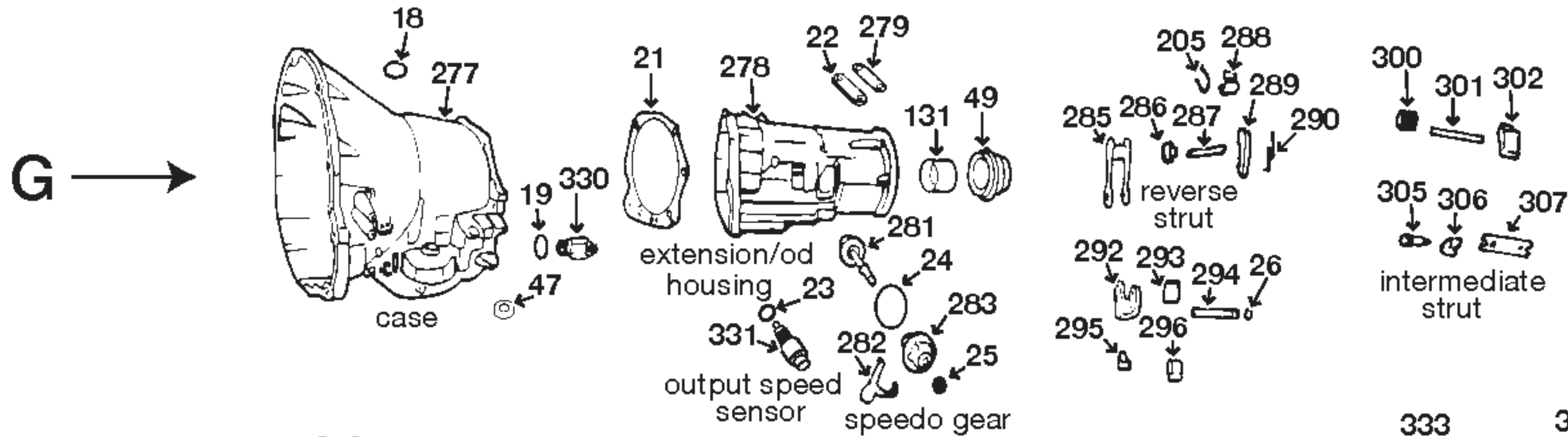
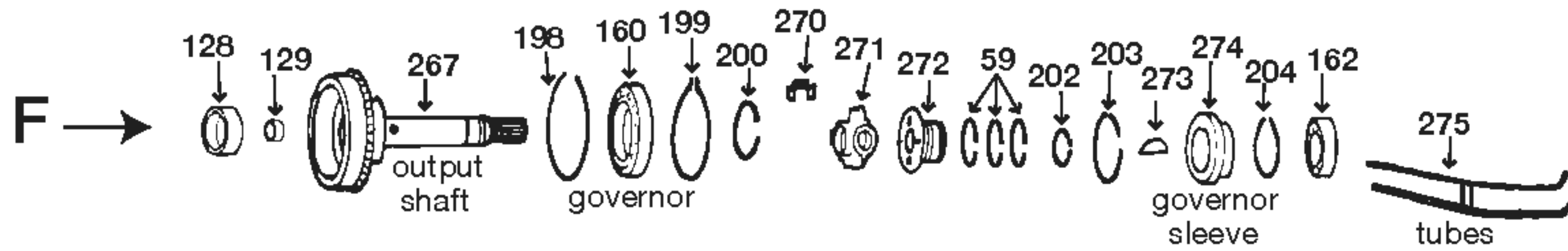
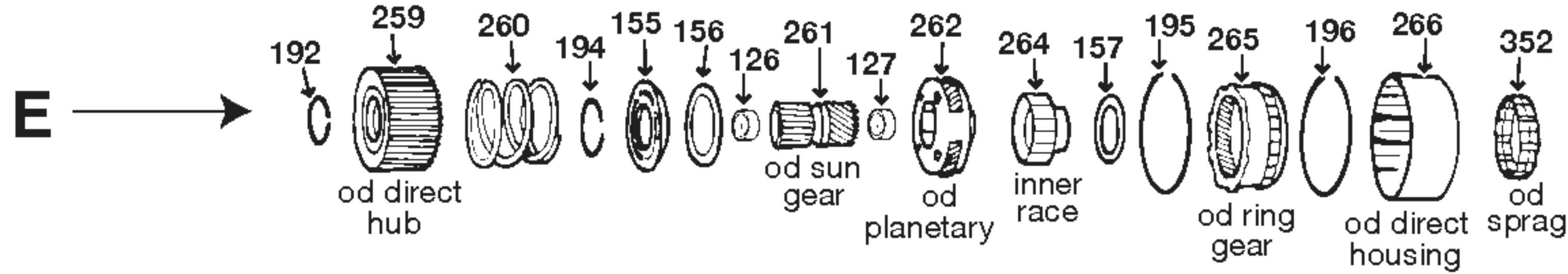
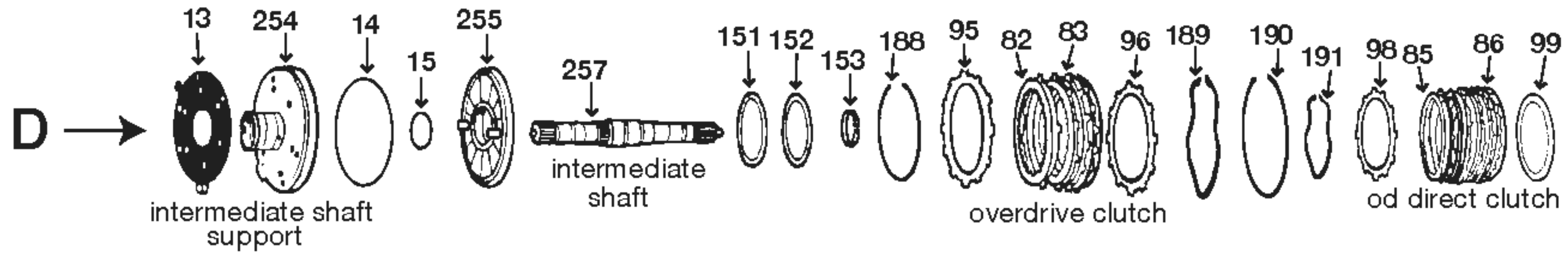
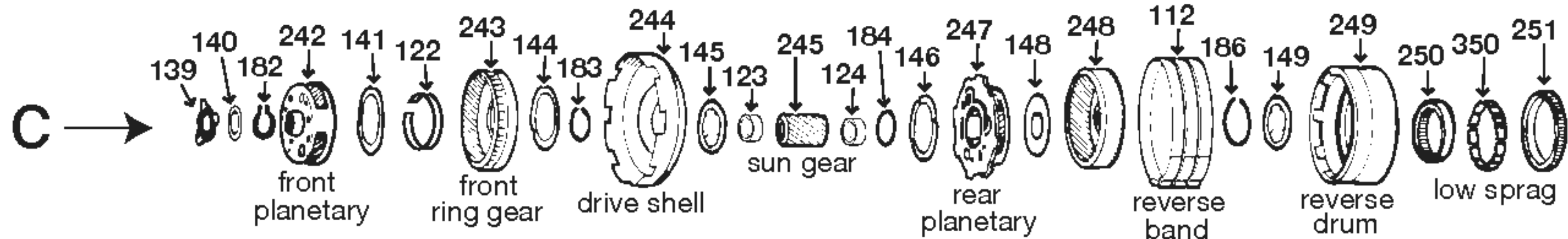
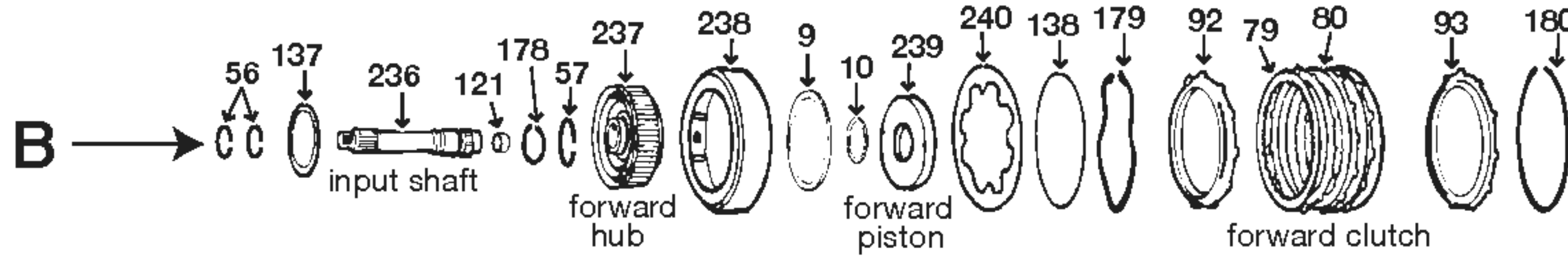
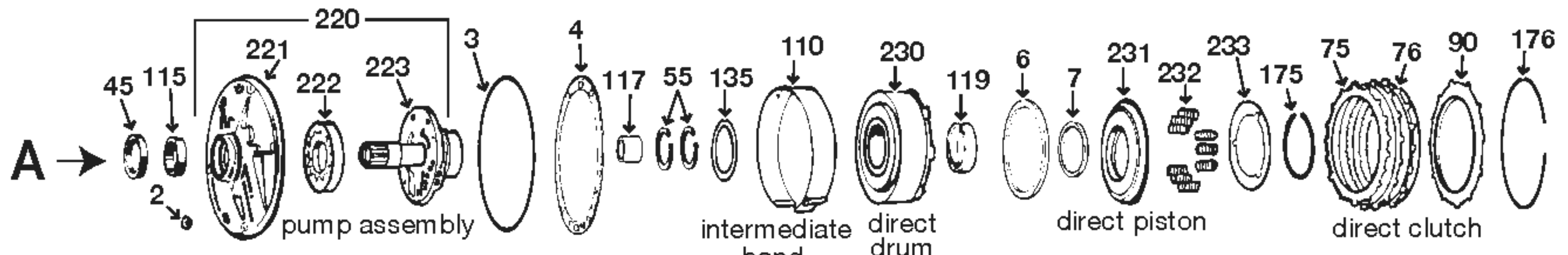


# A727 (36RH)•727•TF8

A727•TF8

| ILL   | DESCRIPTION  | QTY | YEAR  | REFERENCE # | PART #    |
|---|--|-----|-------|-------------|-----------|
| <b>WASHERS/BEARINGS/RACES/SHIMS (CONTINUED)</b> |  |     |       |             |           |
| C46   | Thrust washer .052" 3 external tabs (gray) forward hub to race             | sel | 90-01 | 4505185     | 12706     |
| C46   | Thrust washer .068" 3 external tabs (red) forward hub to race              | sel | 90-01 | 4505186     | 12706A    |
| C46   | Thrust washer .083" 3 ext tabs (green) forward hub to race                 | sel | 90-01 | 4505187     | 12706B    |
| C47   | Race thrust washer to output shaft   | 1   | 78-89 | 4329806     | 22665B    |
| C47   | Race thrust washer to output shaft   | 1   | 90-01 | 4505188     | 12707     |
| D53   | Thrust washer 2 tabs snap ring to reverse drum                             | 1   | 89-01 | 52118059    | 22735     |
| <b>SNAP RINGS</b>                               |  |     |       |             |           |
| BC48  | Snap ring .062" forward and direct clutch retainer                         | sel | 62-01 | 1942063     | 22601     |
| BC48  | Snap ring .074" forward and direct clutch retainer                         | sel | 62-01 | 1942064     | 22601A    |
| BC48  | Snap ring .088" forward and direct clutch retainer                         | sel | 62-01 | 1942065     | 22601B    |
| BC48  | Snap ring .106" forward and direct clutch retainer                         | sel | 62-01 | 2466811     | 22601C    |
| <b>PUMP PARTS AND PUMPS</b>                     |  |     |       |             |           |
| A49   | Pump, front assembly - complete TF8/A727                                   | 1   | 67-70 | AE          | 22200A-R  |
| A49   | Pump, front assembly - complete TF8/A727                                   | 1   | 71-77 | AE          | 22200C-R  |
| A49   | Pump, assembly w/o lock-up   | 1   | 78-93 | AE          | 22200D-R  |
| A49   | Pump, assembly w/lock-up   | 1   | 78-93 | AE          | 22200E-R  |
| A49   | Pump, assembly w/o lock-up   | 1   | 94-01 | AE          | 22200G-R  |
| B51   | Support, stator TF8/A727   | 1   | 71-77 | 3878343     | 22400C-R  |
| B51   | Support, stator w/o lock-up  | 1   | 78-93 | 4471445     | 22400D-R  |
| B51   | Support, stator w/lock-up  | 1   | 78-93 | 4471444     | 22400E-R  |
| B51   | Support, stator w/o lock-up  | 1   | 94-01 | AE          | 22400G-R  |
| A52   | Gears, pump (rotor type) 14 lobes on inner 15 lobes on outer               | 1   | 62-93 | 3780239     | K22201    |
| A52   | Gears, pump (rotor type) 11 lobes on inner 12 lobes on outer               | 1   | 94-01 | AE          | K22201C   |
| <b>HARD PARTS</b>                               |  |     |       |             |           |
| D55   | Planetary, rear 3 pinions (aluminum) TF8/A727                              | 1   | 62-01 | 2466539     | 22753-R   |
| D55   | Planetary, rear 4 pinions (aluminum) TF8/A727                              | 1   | 74-01 | 2801061     | 22753A-R  |
| D55   | Planetary, rear 5 pinions TF8/A727   | 1   | 94-99 | 441438      | 22753B-R  |
| D56   | Gear, rear ring TF8/A727   | 1   | 66-01 | 4617779     | 22749-R   |
| C57   | Shell, drive w/sun gear 3 tab washer                                       | 1   | 66-93 | AE          | 22728-R   |
| C57   | Shell, drive w/sun gear 6 tab washer                                       | 1   | 94-01 | AE          | 22728A-R  |
| C58   | Spring, diaphragm .072" forward clutch return                              | 1   | 62-01 | 3473621     | 22637A    |
| C58   | Spring, diaphragm .072" forward clutch return                              | 1   | 62-01 | 3473621     | 22637A-R  |
| C61   | Spacer (plastic) forward clutch spring                                     | 1   | 67-01 | 3515077     | 22638     |
| B67   | Piston, direct clutch TF8/A727   | 1   | 62-02 | AE          | 22751-R   |
| C68   | Piston, forward clutch TF8/A727  | 1   | 62-01 | AE          | 22752-R   |
| D69   | Kit, w/bolt in cam (correct stripped case) w/o race and springs and roller | 1   | 62-89 | RK22961M    | K22961X-R |
| D69   | Kit, overrun clutch repair cam/race/springs and rollers                    | 1   | 62-89 | 1942095     | K22961-R  |
| D71   | Race, overrun clutch inner TF8/A727  | 1   | 62-89 | 3420100     | 22750-R   |
| B72   | Drum, direct 4 clutch (wide bushing) TF8/A727                              | 1   | 71-01 | 4058648     | 22767-R   |
| B72   | Drum, direct 3 clutch (wide bushing) TF8/A727                              | 1   | 71-01 | 4058437     | 22761-R   |
| D74   | Shaft, output 13 1/2" long 4WD Jeep TF8/A727                               | 1   | 76-01 | 4130543     | 22168-R   |
| D74   | Shaft, output 17 1/2" long 4WD TF8/A727                                    | 1   | 74-79 | 4106597     | 22169-R   |
| D74   | Shaft, output 16" long 4WD TF8/A727  | 1   | 80-01 | 4746945     | 22172-R   |
| D75   | Support, output shaft TF8/A727   | 1   | 62-89 | 2466882     | 22754     |
| D75   | Support, output shaft TF8/A727   | 1   | 62-89 | 2466882     | 22754-R   |
| D75   | Support, output shaft TF8/A727   | 1   | 90-01 | 52118245    | 22754A    |
| D75   | Support, output shaft TF8/A727   | 1   | 90-01 | 52118245    | 22754A-R  |
| D76   | Bearing, ball output shaft   | 1   | 62-01 | 2466224     | 22976     |
| D76   | Bearing, ball 1.23" id output shaft  | ar  | 90-01 | 4130537     | 22976A    |
| C77   | Planetary, front 3 pinions TF8/A727  | 1   | 76-01 | 5652675     | 22135-R   |
| C77   | Planetary, front 4 pinions (aluminum) TF8/A727                             | 1   | 76-01 | 4428224     | 22136     |
| C77   | Planetary, front 4 pinions (aluminum) TF8/A727                             | 1   | 76-01 | 4428224     | 22136-R   |
| C77   | Planetary, front 5 pinions (steel) TF8/A727                                | 1   | 94-99 | 4617612     | 22137-R   |

| ILL                           | DESCRIPTION                             | QTY                           | YEAR | REFERENCE # | PART #   |          |
|-------------------------------|---|-------------------------------|------|-------------|----------|----------|
| <b>HARD PARTS (CONTINUED)</b> |   |                               |      |             |          |          |
| C78                           | Gear, ring front (58T clutch)           | TF8/A727                      | 1    | 66-01       | 2892656  | 22140-R  |
| D80                           | Drum, reverse                           | TF8/A727                      | 1    | 62-89       | 4446112  | 22757-R  |
| D80                           | Drum, reverse w/12 roller clutch        | small band                    | 1    | 90-93       | 4505095  | 22757A-R |
| D80                           | Drum, reverse w/14 roller clutch        | TF8/A727                      | 1    | 91-01       | 52118057 | 22757C   |
| D80                           | Drum, reverse w/14 roller clutch        | TF8/A727                      | 1    | 91-01       | 52118057 | 22757C-R |
| C81                           | Shaft, input w/hub (w/o lock-up)        | TF8/A727                      | 1    | 78-93       | 4505179  | 22731-R  |
| C81                           | Shaft, input w/hub (w/lock-up)          | TF8/A727                      | 1    | 78-93       | 4505178  | 22731A-R |
| C81                           | Shaft, input w/hub (w/o lock-up)        | TF8/A727                      | 1    | 94-01       | AE       | 22731E-R |
| D108                          | Governor                                | TF8/A727                      | 1    | 62-01       | 4740006  | 22410-R  |
| n/i                           | Lever, detent w/insulator               | rooster comb                  | 1    | 69-01       | 3410484  | 22420-R  |
| n/i                           | Piston, reverse servo (steel)           | TF8/A727                      | 1    | 62-01       | K029     | 22528    |
| n/i                           | Strut, front band (heavy duty)          | TF8/A727                      | 1    | 62-01       | K031     | 22718    |
| n/i                           | Piston, accumulator (aluminum)          | A727 (in case)                | 1    | 65-01       | 3743650  | 12703-R  |
| n/i                           | Piston, reverse servo 1.585" oh         | TF8/A727                      | 1    | 64-65       | AE       | 22529-R  |
| <b>ELECTRICAL COMPONENTS</b>  |   |                               |      |             |          |          |
| n/i                           | Connector, case 1 prong                 | TF8/A727                      | 1    | 86-01       | 4348945  | 5A-151   |
| n/i                           | Solenoid, w/wiring 1 wire               | A727                          | 1    | 86-01       | 4348719  | 5A-150   |
| n/i                           | Switch, neutral safety 3 prongs (long)  | A727                          | 1    | 69-86       | 2932820  | 15A-627B |
| n/i                           | Switch, neutral safety 3 prongs (short) | A727                          | 1    | 86-01       | 4057750  | 15A-627C |
| <b>SPRAGS</b>                 |   |                               |      |             |          |          |
| D73                           | Kit, spring and roller w/12 rollers     | TF8/A727                      | 1    | 62-93       | 2808673  | K22960   |
| D73                           | Sprag w/14 rollers                      | low                           | 1    | 91-01       | 4617199  | K22962   |
| <b>SPEEDO GEARS</b>           |   |                               |      |             |          |          |
| n/i                           | Gear, speedo driven gear 24T            | with metal shaft              | 1    | 65-01       | n/a      | 03-402   |
| n/i                           | Gear, speedo driven gear 25T            | with metal shaft (light blue) | 1    | 65-01       | n/a      | 03-404   |
| n/i                           | Gear, speedo driven gear 26T            | with metal shaft (red)        | 1    | 65-01       | n/a      | 03-406   |
| n/i                           | Gear, speedo driven gear 27T            | with metal shaft (natural)    | 1    | 65-01       | n/a      | 03-408   |
| n/i                           | Gear, speedo driven gear 28T            | with metal shaft (light blue) | 1    | 65-01       | n/a      | 03-410   |
| n/i                           | Gear, speedo driven gear 29T            | with metal shaft (black)      | 1    | 65-01       | n/a      | 03-412   |
| n/i                           | Gear, speedo driven gear 30T            | with metal shaft (yellow)     | 1    | 65-01       | n/a      | 03-414   |
| n/i                           | Gear, speedo driven gear 31T            | with metal shaft (green)      | 1    | 65-01       | n/a      | 03-416   |
| n/i                           | Gear, speedo driven gear 32T            | with metal shaft (black)      | 1    | 65-01       | n/a      | 03-418   |
| n/i                           | Gear, speedo driven gear 39T            | with metal shaft (green)      | 1    | 65-01       | n/a      | 03-420   |
| n/i                           | Gear, speedo driven gear 40T            | with metal shaft (orange)     | 1    | 65-01       | n/a      | 03-422   |
| n/i                           | Gear, speedo driven gear 45T            | with metal shaft              | 1    | 65-01       | n/a      | 03-424   |
| n/i                           | Gear, speedo driven gear 25T            | without metal shaft (blue)    | 1    | 80-01       | n/a      | 03-426   |
| n/i                           | Gear, speedo driven gear 30T            | without metal shaft (yellow)  | 1    | 80-01       | n/a      | 03-428   |
| n/i                           | Gear, speedo driven gear 32T            | without metal shaft           | 1    | 80-01       | n/a      | 03-430   |
| n/i                           | Gear, speedo driven gear 27T            | without metal shaft (natural) | 1    | 80-01       | n/a      | 03-432   |
| n/i                           | Gear, speedo driven gear 33T            | without metal shaft           | 1    | 80-01       | n/a      | 03-434   |
| n/i                           | Gear, speedo driven gear 29T            | without metal shaft (black)   | 1    | 80-01       | n/a      | 03-436   |
| n/i                           | Gear, speedo driven gear 31T            | without metal shaft (green)   | 1    | 80-01       | n/a      | 03-438   |
| n/i                           | Gear, speedo driven gear 28T            | without metal shaft (blue)    | 1    | 80-01       | n/a      | 03-440   |
| n/i                           | Gear, speedo driven gear 22T            | without metal shaft (green)   | 1    | 80-01       | n/a      | 03-442   |
| n/i                           | Gear, speedo driven gear 35T            | with metal shaft (orange)     | 1    | 65-01       | n/a      | 03-444   |
| n/i                           | Gear, speedo driven gear 29T            | with metal shaft (orange)     | 1    | 65-01       | n/a      | 03-446   |
| n/i                           | Gear, speedo driven gear 37T            | with metal shaft              | 1    | 65-01       | n/a      | 03-448   |
| n/i                           | Gear, speedo driven gear 38T            | with metal shaft (blue)       | 1    | 65-01       | n/a      | 03-450   |
| n/i                           | Gear, speedo driven gear 22T            | without metal shaft (green)   | 1    | 80-01       | n/a      | 03-452   |
| n/i                           | Gear, speedo driven gear 23T            | without metal shaft (red)     | 1    | 80-01       | n/a      | 03-454   |
| n/i                           | Gear, speedo driven gear 24T            | without metal shaft (natural) | 1    | 80-01       | n/a      | 03-456   |
| n/i                           | Gear, speedo driven gear 26T            | without metal shaft (red)     | 1    | 80-01       | n/a      | 03-458   |



A518(46RH)/46RE/  
A618(47RH/47RE/48RE  
22000F/H

| ILL                                  | DESCRIPTION                                |  | QTY | YEAR  | REFERENCE #     | PART #    |
|--------------------------------------|--|--|-----|-------|-----------------|-----------|
| <b>TECHNICAL MANUALS</b>             |  |  |     |       |                 |           |
| K53                                  | Tech manual A500/518 dis/assembly          | diagnosis/troubleshooting                  | 1   | 90-03 | 83-500TM        | 010-105   |
| K53                                  | Tech manual 42RE dis/assembly              | diagnosis/troubleshooting                  | 1   | 96-03 | 83-500SETM      | 010-109   |
| <b>REBUILDER KITS</b>                |  |  |     |       |                 |           |
| K4                                   | Master deluxe rebuild kit                  | A518/A618                                  | 1   | 90-96 | AE              | K225F-R   |
| K4                                   | Master deluxe rebuild kit                  | A518/A618                                  | 1   | 97-03 | AE              | K225G-R   |
| K4                                   | Master deluxe rebuild kit                  | 48RE                                       | 1   | 03-07 | AE              | K225H-R   |
| K5                                   | Master kit w/steels                        | A518/A618                                  | 1   | 90-96 | AE              | K225F     |
| K5                                   | Master kit w/steels                        | A518/A618                                  | 1   | 97-03 | AE              | K225G     |
| K5                                   | Master kit w/steels                        | 48RE                                       | 1   | 03-07 | AE              | K225H     |
| K6                                   | Master kit w/o steels                      | A518/A618                                  | 1   | 90-96 | AE              | K225F-LS  |
| K6                                   | Master kit w/o steels                      | A518/A618                                  | 1   | 97-03 | AE              | K225G-LS  |
| K6                                   | Master kit w/o steels                      | 48RE                                       | 1   | 03-07 | AE              | K225H-LS  |
| K7                                   | O/H gasket set w/seals-rings               | A518/A618                                  | 1   | 90-03 | AE              | K22950F   |
| K7                                   | O/H gasket set w/seals-rings               | 48RE                                       | 1   | 03-07 | AE              | K22950H   |
| K8                                   | Kit, external seal                         | A518/A618                                  | 1   | 90-03 | AE              | K22950-2  |
| K11                                  | Gasket and seal kit                        | A518/A618/48RE                             | 1   | 90-03 | AE              | K22950F-1 |
| K28                                  | Kit, accumulator D-rings                   | A518/A618/48RE                             | 1   | 78-03 | AE              | K12900-3  |
| <b>VALVE BODY KITS</b>               |  |  |     |       |                 |           |
| K15                                  | Shift Kit® TFOD-Jr/fix soft shift          | shudder/od planetary failure               | 1   | 90-03 | SK® TFOD-Jr     | K22908B   |
| K15                                  | Shift Kit® TFOD/diesel/fix soft shifts     | drain back/lock-up shudder/planet failure  | 1   | 90-03 | SK® TFOD-Diesel | K22908C   |
| K15                                  | Shift Correction Package                   | A518/A618/46RH/47RH                        | 1   | 99-03 | A500-618        | S22908B   |
| K15                                  | Shift Kit® 48RE                            | A518/A618/46RH/47RH                        | 1   | 03-07 | SK® 48RE        | K22908D   |
| K15                                  | Reprogramming Kit™                         | heavy duty and high performance            | 1   | 90-03 | TFOD-HD2        | TFOD-HD2  |
| K15                                  | Reprogramming Kit™ stick shift             | competition no automatic up shifts         | 1   | 90-03 | TFOD-3          | TFOD-3    |
| <b>GASKETS AND RUBBER COMPONENTS</b> |  |  |     |       |                 |           |
| K13                                  | Gasket set, valve body and solenoid module | combo                                      | 1   | 89-07 | n/a             | 23447A    |
| H1                                   | Gasket, oil pan                            | neoprene/cork                              | 1   | 90-07 | 2464324         | 3859LX    |
| H1                                   | Gasket, oil pan                            | Duraprene®                                 | 1   | 90-07 | 2464324         | 3859D     |
| H1                                   | Gasket, pan                                | molded rubber                              | 1   | 00-07 | 2464324AC       | 3859R     |
| A2                                   | Washer, coated                             | A518                                       | 7   | 90-07 | 6023943         | 13268A    |
| A3                                   | Seal, lathe cut                            | A518 pump O'ring                           | 1   | 90-07 | 1942021         | 3857L     |
| A4                                   | Gasket                                     | A518 pump gasket                           | 1   | 90-07 | 4028377         | 3856L     |
| A6                                   | Lip seal                                   | direct clutch piston (outer)               | 1   | 90-07 | 4058484         | 13309     |
| A7                                   | Lip seal                                   | direct clutch piston (inner)               | 1   | 90-07 | 3410226         | 13310     |
| A7                                   | Lip seal                                   | direct clutch piston (inner wide base)     | 1   | 90-07 | n/a             | 23522     |
| B9                                   | Lip seal                                   | forward clutch piston (outer)              | 1   | 90-07 | 2124835         | 3391L     |
| B10                                  | Lip seal                                   | forward clutch piston (inner)              | 1   | 90-07 | 1942054         | 3647L     |
| D13                                  | Gasket                                     | A518 (overdrive piston retainer to case)   | 1   | 90-07 | 4531191         | 23448     |
| D14                                  | Lip seal                                   | overdrive clutch piston (outer)            | 1   | 90-07 | 4461696         | 23199     |
| D15                                  | Lip seal                                   | overdrive clutch piston (inner)            | 1   | 90-07 | 4431697         | 23198     |
| G18                                  | O'ring                                     | filler tube to case                        | 1   | 90-07 | 6030608         | 3291L     |
| G18                                  | Multi lip seal                             | filler tube to case (boot)                 | 1   | 97-07 | 52118629AB      | 13928     |
| G19                                  | Washer (tapered)                           | A518 (neutral safety switch to case)       | 1   | 90-07 | 2408143         | 2627W     |
| G21                                  | Gasket                                     | A518 (case to extension housing)           | 1   | 90-07 | 4531192         | 23445     |
| G22                                  | Gasket                                     | A518 (snap ring cover to extension hsg)    | 1   | 90-07 | 5801398         | 13254     |
| G23                                  | O'ring (2 green stripes)                   | speed sensor VSS                           | 1   | 96-07 | 6501701         | 23020A    |
| G24                                  | O'ring                                     | A518 (speedo gear adapter to ext hsg)      | 1   | 90-07 | 6025752         | 3301AL    |
| G24                                  | O'ring (teflon coated)(blue)               | 46/47RE (speedo gear adapter to ext hsg)   | 1   | 97-07 | 56028182        | 13847     |
| G25                                  | Lip seal                                   | A518 (driven gear to aluminum housing)     | 1   | 90-07 | 4057047         | 3991AL    |
| G26                                  | O'ring                                     | reverse band lever shaft                   | 1   | 90-07 | 6030910         | 13917     |
| H28                                  | O'ring                                     | accumulator piston (inner)                 | 1   | 90-07 | 6028864         | 13332     |
| H29                                  | Lip seal (viton)                           | reverse servo piston                       | 1   | 90-07 | 4058741         | 3876L     |
| H29                                  | Lip seal 1.87" od                          | 47RH (reverse servo piston V10 and diesel) | 1   | 94-07 | 4531233         | 3875L     |



# A518•518•A618•618•48RE

A518•A618•48RE

| ILL  | DESCRIPTION  | QTY  | YEAR  | REFERENCE # | PART #      |
|--|--|------|-------|-------------|-------------|
| <b>GASKETS AND RUBBER COMPONENTS (CONTINUED)</b> |  |      |       |             |             |
| H32  | Lip seal A518 (throttle lever shaft)                               | 1    | 90-07 | 2466548     | 13207       |
| H36  | O'ring .970" solenoid connector                                    | 2    | 90-95 | 6033448     | 1025        |
| H36  | O'ring solenoid connector  | 2    | 96-07 | 6034748     | 23074       |
| n/i  | O'ring governor solenoid (small)                                   | 1    | 96-07 | 6030910     | 13917       |
| n/i  | O'ring governor solenoid (large)                                   | 1    | 96-07 | 87022-S96   | 23020       |
| n/i  | O'ring 3/8" line cooler line connector                             | 2    | 90-07 | 6034493     | 1077        |
| n/i  | O'ring 3/8" line governor pressure sensor                          | 1    | 96-07 | 6034493     | 1077        |
| n/i  | O'ring A518 (speed sensor housing)                                 | 1    | 97-07 | 6035709     | 23126       |
| n/i  | Gasket A518 (governor pressure solenoid body)                      | 1    | 90-07 | 4617216     | 23121       |
| n/i  | O'ring 1/2" line cooler line connector                             | 2    | 97-07 | 17112       | 23127       |
| n/i  | Gasket A518 (overdrive and lock-up/TCC solenoid)                   | 1    | 90-07 | 4446194     | 23411       |
| n/i  | Orifice, screen A518 (overdrive piston housing)                    | 1    | 90-07 | 4412583     | 23128       |
| <b>METAL CLAD SEALS</b>                          |  |      |       |             |             |
| A45  | Seal, metal clad front   | 1    | 90-03 | 3515137     | 22573A      |
| G47  | Seal, metal clad 1.254x.775x.254" manual lever seal                | 1    | 90-03 | 3878447     | 22574       |
| G49  | Seal, metal clad (w/flange w/o boot) extension housing (2WD)       | 1    | 90-03 | 3515383NB   | 4743C       |
| G49  | Seal, metal clad (w/boot) extension housing (2WD)                  | 1    | 90-03 | 3515383     | 16695C      |
| G49  | Seal, metal clad (not in kits) adapter housing (4WD)               | 2    | 90-03 | 4269956     | 205-19211   |
| G49  | Seal, metal clad 48RE extension housing (2WD)                      | 1    | 03-07 | FDB-B37110  | 10151-30504 |
| <b>SEALING RINGS</b>                             |  |      |       |             |             |
| K10  | Kit, sealing ring A518   | 1    | 90-03 | AE          | K22952D     |
| A55  | Ring, sealing A518   | 2    | 90-03 | 3743689     | 22550C      |
| B56  | Ring, sealing A518   | 2    | 90-93 | 2801054     | 22626A      |
| B56  | Ring, sealing (teflon) A518  | 2    | 94-03 | 4741836     | 22627T      |
| B57  | Ring, sealing A518   | 1    | 90-03 | 4058443     | 22841       |
| F59  | Ring, sealing (hook joint) A518                                    | 3    | 90-03 | 4461011     | 12854       |
| H63  | Ring, sealing (butt joint) kickdown servo and guide piston (large) | 2    | 90-03 | 1942123     | 22827       |
| H64  | Ring, sealing (butt joint) kickdown servo piston (small)           | 1    | 90-95 | 4412444     | 22840       |
| H64  | Ring, sealing (butt joint) kickdown servo piston (small)           | 1    | 96-03 | 4443190     | 22843       |
| H66  | Ring, sealing (metal) accumulator piston (large)                   | 1    | 90-03 | 3743013     | 12770       |
| H66  | Ring, sealing (teflon) accumulator piston (large)                  | 1    | 90-03 | 3743013     | 12770T      |
| H67  | Ring, sealing (butt joint) accumulator piston (small)              | 1    | 90-03 | 3743010     | 12853       |
| H67  | Ring, sealing (teflon) accumulator piston (small)                  | 1    | 90-03 | 3743010     | 12853T      |
| n/i  | Ring, sealing (teflon) 3/4 accumulator piston (large)              | 1    | 90-03 | 4431958     | 12861T      |
| n/i  | Ring, sealing (teflon) 3/4 accumulator piston (small)              | 1    | 90-03 | 4431959     | 12860T      |
| n/i  | Ring, sealing (teflon) front end of stator shaft                   | 1    | 03-03 | 52854025AA  | 22844       |
| <b>CLUTCH PLATES</b>                             |  |      |       |             |             |
| A75  | Steel .068" 5.342" id 12T direct clutch                            | 6/7  | 90-07 | 52118812AB  | 22594       |
| A75  | Steel .085" 5.342" id 12T direct clutch                            | 4    | 97-07 | 2124826AB   | 22594A      |
| A75  | Steel .088" 5.342" id 12T (oversized) direct clutch                | 1    | 90-07 | 21248260S   | 22594X      |
| A76  | Friction .095" 6.700" od 62T (waffle) direct clutch                | 3/4  | 90-96 | 4329846     | 22595B      |
| A76  | Friction .095" 6.700" od 62T (high energy) direct clutch           | 3/4  | 90-96 | 4617202     | 22595D      |
| A76  | Friction .085" 6.700" od 62T (high energy) direct clutch           | 4    | 97-07 | 4617201AB   | 22595E      |
| B79  | Friction .061" 6.700" od 62T (smooth) 62T forward clutch           | 4    | 90-03 | 2801992     | 22642A      |
| B79  | Friction .063" 6.700" od 93T 48RE (forward clutch)                 | 4    | 03-07 | 52854030AA  | 22642C      |
| D82  | Friction .087" 6.077" od 54T overdrive clutch                      | 4/5  | 90-07 | 4462153     | 12108       |
| D82  | Friction .087" 6.077" od 54T (waved) overdrive clutch              | 4/5  | 96-03 | 4461181     | 12108A      |
| D83  | Steel .068" 5.024" id 12T overdrive clutch                         | 3/5  | 90-07 | 4461047     | 12107       |
| D85  | Friction .063" 5.475" od 54T overdrive direct clutch               | 8/11 | 90-07 | 4461042     | 12110       |
| D86  | Steel .069" 4.685" id 12T overdrive direct clutch                  | 7/8  | 90-96 | 4461054     | 12109       |
| D86  | Steel .053" 4.685" id 12T overdrive direct clutch                  | 9/10 | 97-07 | 4864053     | 12109A      |
|  |  |      |       |             |             |
|  |  |      |       |             |             |

| ILL                                 | DESCRIPTION                                |                                   | QTY | YEAR  | REFERENCE # | PART #     |
|-------------------------------------|--|-----------------------------------|-----|-------|-------------|------------|
| <b>PRESSURE PLATES</b>              |  |                                   |     |       |             |            |
| A90                                 | Pressure plate                             | direct/forward clutch             | 1/2 | 90-07 | 2801961     | 22940-R    |
| B92                                 | Pressure plate (beveled)                   | forward clutch (apply)            | 1   | 90-07 | 2466803     | 22760-R    |
| B93                                 | Pressure plate (stepped plate)             | direct/forward clutch             | ar  | 90-07 | AE          | 22940S-R   |
| D95                                 | Pressure plate .220"                       | overdrive clutch                  | 1/2 | 90-03 | 4461033     | 12103      |
| D95                                 | Pressure plate .120"                       | 48RE (overdrive clutch)           | 1   | 03-07 | AE          | 12103A-R   |
| D98                                 | Pressure plate .215"                       | overdrive direct clutch (backing) | 1   | 90-03 | 4461031     | 12102-R    |
| D98                                 | Pressure plate .085"                       | overdrive direct clutch (backing) | 1   | 97-07 | 4461183     | 12102A-R   |
| D99                                 | Pressure plate (internal teeth)            | overdrive direct clutch (apply)   | 1   | 90-07 | 4461030     | 12106-R    |
| <b>FILTERS</b>                      |  |                                   |     |       |             |            |
| K9                                  | Kit, filter                                | neoprene/cork                     | 1   | 90-97 | AE          | FK8-12776C |
| K9                                  | Kit, filter                                | neoprene/cork                     | 1   | 90-97 | AE          | FK8-12776D |
| K9                                  | Kit, filter                                | neoprene/cork                     | 1   | 98-07 | AE          | FK8-12776E |
| K9                                  | Kit, filter                                | Duraprene®                        | 1   | 90-97 | AE          | DK8-12776C |
| K9                                  | Kit, filter                                | Duraprene®                        | 1   | 90-97 | AE          | DK8-12776D |
| K9                                  | Kit, filter                                | Duraprene®                        | 1   | 98-07 | AE          | DK8-12776E |
| H105                                | Filter (large dacron)                      | A518/46RE                         | 1   | 90-97 | 3515996     | 12776C     |
| H105                                | Filter (large brass)                       | A518/46RE                         | 1   | 90-97 | 3515996     | 12776D     |
| H105                                | Filter                                     | A518/46RE                         | 1   | 98-07 | 52118789    | 12776E     |
| n/i                                 | Screen, filter                             | governor                          | 1   | 90-95 | 5205839     | 48712      |
| n/i                                 | Screen, filter                             | pump suction                      | 1   | 90-07 | 3878313     | 48713      |
| <b>BANDS</b>                        |  |                                   |     |       |             |            |
| A110                                | Band, flex                                 | intermediate (kickdown)           | 1   | 90-07 | 3621491     | 22825F     |
| C112                                | Band                                       | reverse (rear)(small diameter)    | 1   | 90-93 | 4505091     | 22900A     |
| C112                                | Band                                       | reverse (rear)(large diameter)    | 1   | 91-03 | 4471456     | 22900B     |
| C112                                | Band, triple wrap                          | reverse (rear)                    | 1   | 91-07 | 4531221     | 22900C     |
| <b>BUSHINGS</b>                     |  |                                   |     |       |             |            |
| K13                                 | Kit, bushing                               | A518                              | 1   | 90-03 | AE          | K22902B    |
| A115                                | Bushing (babbit)                           | pump body                         | 1   | 90-03 | 2205031     | 22003      |
| A115                                | Bushing (bronze w/dimples)                 | pump body                         | 1   | 90-07 | 4531163     | 22003B     |
| A117                                | Bushing                                    | A518 (stator support)             | 1   | 90-93 | 2801348     | 22005A     |
| A117                                | Bushing (not in kits)                      | stator support                    | 1   | 94-07 | 4617416     | 22005B     |
| A119                                | Bushing (w/oil groove)                     | direct drum                       | 1   | 90-07 | 4058647     | 22006B     |
| C122                                | Bushing (plastic)                          | 46RE/48RE                         | 1   | 94-07 | 4617951/    | 22025      |
| C123                                | Bushing                                    | A518 (sun gear front/rear)        | 2   | 90-07 | 1736520     | 22002      |
| E126                                | Bushing w/flange (not in kits)             | overdrive sun gear (front)        | 1   | 90-99 | n/a         | 12508A     |
| E126                                | Bushing 1.515" od (not in kits)            | overdrive sun gear (front)        | 1   | 99-07 | n/a         | 12508B     |
| E127                                | Bushing 1.430" od                          | overdrive sun gear                | 1/2 | 90-07 | 4461025     | 12508      |
| F128                                | Bushing                                    | output shaft large                | 1   | 90-07 | 4461006     | 12509      |
| F129                                | Bushing                                    | output shaft pilot                | 1   | 90-07 | 4461007     | 12510      |
| G131                                | Bushing, extension housing                 | extension housing (exc Lincoln)   | 1   | 90-03 | 2801724     | 6023       |
| G131                                | Bushing                                    | 48RE (extension housing)          | 1   | 03-07 | NA          | 22014      |
| <b>WASHERS/BEARINGS/RACES/SHIMS</b> |  |                                   |     |       |             |            |
| K14                                 | Kit, thrust washer                         | w/4 tabs                          | 1   | 90-03 | AE          | K22951B    |
| K17                                 | Kit, thrust bearing                        | A518                              | 1   | 90-07 | AE          | K12906     |
| A135                                | Thrust washer .043"                        | stator support to direct drum     | 1   | 90-07 | 2204621     | 22449      |
| A135                                | Thrust washer .061"                        | stator support to direct drum     | sel | 90-07 | 2204622     | 22449A     |
| A135                                | Thrust washer .084"                        | stator support to direct drum     | sel | 90-07 | 2204623     | 22449C     |
| A135                                | Thrust washer .102"                        | stator support to direct drum     | sel | 90-07 | 2400284     | 22449D     |
| B137                                | Thrust washer .061"                        | direct drum to forward drum       | 1   | 90-07 | 2204622     | 22449A     |
| B138                                | Spacer (plastic)                           | A518/A618/46RH/47RH               | 1   | 90-07 | 3515077     | 22638      |
| C139                                | Thrust washer .052" 3 external tabs (gray) | forward hub to intermediate shaft | sel | 90-07 | 4505185     | 12706      |
| C139                                | Thrust washer .068" 3 external tabs (red)  | forward hub to intermediate shaft | sel | 90-07 | 4505186     | 12706A     |
| C139                                | Thrust washer .083" 3 ext tabs (green)     | forward hub to intermediate shaft | sel | 90-07 | 4505187     | 12706B     |

# A518•518•A618•618•48RE

A518•A618•48RE

| ILL   | DESCRIPTION  | QTY | YEAR  | REFERENCE # | PART #  |
|---|--|-----|-------|-------------|---------|
| <b>WASHERS/BEARINGS/RACES/SHIMS (CONTINUED)</b> |  |     |       |             |         |
| C140  | Race front end of inter shaft (small id hole)                  | 1   | 90-07 | 4505188     | 12707   |
| C141  | Thrust washer 4 tabs front planetary to front ring gear        | 1   | 90-07 | 2801060     | 22700A  |
| C141  | Thrust washer 5 tabs front planetary to front ring gear        | 1   | 96-07 | 4130518     | 22700B  |
| C141  | Thrust washer 4 tabs wide front planet to front ring gear      | 1   | 90-07 | n/a         | 22700D  |
| C141  | Thrust washer 6 tabs 48RE (wide front planet to frt ring gear) | 1   | 03-07 | 52854076AA  | 22700E  |
| C144  | Thrust washer 3 tabs front ring gear to shell                  | 1   | 90-07 | 1942081     | 22700   |
| C144  | Thrust washer 6 tabs front ring gear to shell                  | 1   | 96-07 | 4618000     | 22700C  |
| C146  | Thrust washer 4 tabs drive shell to rear planetary             | 1   | 90-07 | 2801060     | 22700A  |
| C146  | Thrust washer 5 tabs drive shell to rear planetary             | 1   | 96-07 | 4130518     | 22700B  |
| C146  | Thrust washer 4 tabs drive shell to rear planetary             | 1   | 90-07 | n/a         | 22700D  |
| C146  | Thrust washer 6 tabs drive shell to rear planetary             | 1   | 03-07 | 52854076AA  | 22700E  |
| C148  | Thrust plate rear ring gear                                    | 1   | 90-07 | 2400580     | 22702   |
| C149  | Thrust washer 2 tabs rear ring gear hub to reverse drum        | 1   | 90-07 | 52118059    | 22735   |
| D151  | Thrust washer .138" overdrive piston to thrust bearing         | sel | 90-07 | 4431731     | 12736   |
| D151  | Thrust washer .153" overdrive piston to thrust bearing         | sel | 90-07 | 4431586     | 12736A  |
| D151  | Thrust washer .168" overdrive piston to thrust bearing         | sel | 90-07 | 4431732     | 12736B  |
| D151  | Thrust washer .183" overdrive piston to thrust bearing         | sel | 90-07 | 4431587     | 12736C  |
| D151  | Thrust washer .198" overdrive piston to thrust bearing         | sel | 90-07 | 4431733     | 12736D  |
| D151  | Thrust washer .213" overdrive piston to thrust bearing         | sel | 90-07 | 4431588     | 12736E  |
| D151  | Thrust washer .228" overdrive piston to thrust bearing         | sel | 90-07 | 4431734     | 12736F  |
| D151  | Thrust washer .243" overdrive piston to thrust bearing         | sel | 90-07 | 4431590     | 12736G  |
| D152  | Bearing, thrust thrust washer to overdrive direct hub          | 1   | 90-07 | 4446724     | 12423   |
| D153  | Spacer .158" intermediate shaft to overdrive direct hub        | sel | 90-07 | 4431913     | 12737   |
| D153  | Spacer .175" intermediate shaft to overdrive direct hub        | 1   | 90-07 | 4431917     | 12737A  |
| D153  | Spacer .193" intermediate shaft to overdrive direct hub        | 1   | 90-07 | 4431918     | 12737B  |
| D153  | Spacer .211" intermediate shaft to overdrive direct hub        | 1   | 90-07 | 4431919     | 12737C  |
| E156  | Bearing, thrust overdrive planetary w/thrust plate             | 1   | 90-07 | 4740774     | 12422   |
| E157  | Bearing, thrust overrun inner race to output shaft             | 1   | 90-07 | 4461014     | 12420   |
| F160  | Bearing, ball A518 (output shaft front)                        | 1   | 90-07 | 4461008     | 6014N   |
| F162  | Bearing, ball A518 (output shaft rear)                         | 1   | 90-07 | 2466224     | 22976   |
| <b>SNAP RINGS</b>                               |  |     |       |             |         |
| A175  | Snap ring spring retainer (direct clutch)                      | 1   | 90-07 | AE          | 22600-R |
| A176  | Snap ring .062" pressure plate (direct clutch)                 | sel | 90-07 | 1942063     | 22601   |
| A176  | Snap ring .074" pressure plate (direct clutch)                 | sel | 90-07 | 1942064     | 22601A  |
| A176  | Snap ring .088" pressure plate (direct clutch)                 | sel | 90-07 | 1942065     | 22601B  |
| A176  | Snap ring .106" pressure plate (direct clutch)                 | sel | 90-07 | 2466811     | 22601C  |
| B178  | Snap ring (round) input shaft to forward hub                   | 1   | 99-07 | AE          | 22602-R |
| B179  | Snap ring (waved) in front of forward spacer ring              | 1   | 90-07 | AE          | 22606-R |
| C180  | Snap ring .062" pressure plate (forward clutch)                | sel | 99-07 | 1942063     | 22601   |
| C180  | Snap ring .074" pressure plate (forward clutch)                | sel | 90-07 | 1942064     | 22601A  |
| C180  | Snap ring .088" pressure plate (forward clutch)                | sel | 90-07 | 1942065     | 22601B  |
| C180  | Snap ring .106" pressure plate (forward clutch)                | sel | 90-07 | 2466811     | 22601C  |
| C182  | Snap ring front planetary to inter shaft                       | 1   | 90-07 | AE          | 22603-R |
| C183  | Snap ring sun gear to drive shell (front)                      | 1   | 90-07 | AE          | 22604-R |
| C184  | Snap ring sun gear to drive shell (rear)                       | 1   | 90-07 | AE          | 22604-R |
| C186  | Snap ring reverse drum to rear support                         | 1   | 99-07 | AE          | 22605-R |
| D188  | Snap ring (round) overdrive apply pressure plate               | 1   | 90-07 | AE          | 12301-R |
| D189  | Snap ring overdrive pressure plate                             | 1   | 90-07 | AE          | 12302-R |
| D190  | Snap ring overdrive clutch                                     | 1   | 90-07 | 4461065     | 12311   |
| D191  | Snap ring (waved) overdrive direct clutch                      | 1   | 90-07 | 4461032     | 12310   |
| E192  | Snap ring (round) overdrive sun gear (safety ring)             | 1   | 90-07 | 4461064     | 12641   |
| E194  | Snap ring overdrive thrust plate                               | 1   | 90-07 | 4461063     | 12640   |
| E195  | Snap ring (round) overdrive ring gear                          | 1   | 90-07 | AE          | 12314-R |

| ILL                           | DESCRIPTION  | QTY | YEAR  | REFERENCE # | PART #   |
|-------------------------------|--|-----|-------|-------------|----------|
| <b>SNAP RINGS (CONTINUED)</b> |  |     |       |             |          |
| E196                          | Snap ring (round) overdrive ring gear                        | 1   | 90-07 | AE          | 12314-R  |
| F198                          | Snap ring output shaft to housing                            | 1   | 90-07 | AE          | 12316-R  |
| F199                          | Snap ring (2-extended ears) bearing to extension housing     | 1   | 90-07 | AE          | 12317-R  |
| F200                          | Snap ring bearing to output shaft                            | 1   | 90-07 | AE          | 12318-R  |
| F202                          | Snap ring governor support to output shaft                   | 1   | 90-94 | AE          | 12319-R  |
| F203                          | Snap ring governor sleeve to housing                         | 1   | 90-94 | AE          | 12320-R  |
| F204                          | Snap ring (4WD) rear bearing to housing                      | 1   | 90-07 | AE          | 12321-R  |
| H207                          | Snap ring intermediate servo retainer                        | 1   | 90-07 | AE          | 22610-R  |
| H210                          | Snap ring (large) reverse servo retainer                     | 1   | 90-07 | AE          | 22611-R  |
| H210                          | Snap ring (small) reverse servo retainer                     | 1   | 96-07 | AE          | 22612-R  |
| <b>PUMP PARTS AND PUMPS</b>   |  |     |       |             |          |
| A220                          | Pump, assembly w/o lock-up                                   | 1   | 90-93 | AE          | 22200D-R |
| A220                          | Pump, assembly w/lock-up                                     | 1   | 90-93 | AE          | 22200E-R |
| A220                          | Pump, assembly complete w/ lock-up                           | 1   | 94-07 | AE          | 22200F   |
| A220                          | Pump, assembly complete w/ lock-up                           | 1   | 94-07 | AE          | 22200F-R |
| A220                          | Pump, assembly w/o lock-up                                   | 1   | 94-95 | AE          | 22200G-R |
| A220                          | Pump, assembly 48RE w/lock-up                                | 1   | 03-07 | AE          | 22200H-R |
| A222                          | Gears, pump (rotor type) 14 lobes on inner 15 lobes on outer | 1   | 90-93 | AE          | K22201   |
| A222                          | Gears, pump (rotor type) 11 lobes on inner 12 lobes on outer | 1   | 94-07 | AE          | K22201C  |
| A222                          | Gears, pump (rotor type) 10 lobes on inner 11 lobes on outer | 1   | 94-07 | AE          | K22201D  |
| A223                          | Support, stator w/o lock-up                                  | 1   | 90-93 | 4471445     | 22400D-R |
| A223                          | Support, stator w/lock-up                                    | 1   | 90-93 | 4471444     | 22400E-R |
| A223                          | Support, stator w/o lock-up                                  | 1   | 94-95 | AE          | 22400G-R |
| A223                          | Support, stator 48RE w/lock-up                               | 1   | 03-07 | AE          | 22400H-R |
| A223                          | Support, stator w/ lock-up                                   | 1   | 94-07 | AE          | 22400F-R |
| <b>HARD PARTS</b>             |  |     |       |             |          |
| A230                          | Drum, direct 3 clutch (wide bushing) A518/A618/46RH/47RH     | 1   | 90-07 | AE          | 22761-R  |
| A230                          | Drum, direct 4 clutch (wide bushing) A518/A618/46RH/47RH     | 1   | 90-03 | 4058648     | 22767-R  |
| A230                          | Drum, direct 5 clutch (wide bushing) A518/A618/46RH/47RH     | 1   | 03-07 | AE          | 22768-R  |
| A230                          | Drum, direct (wide bushing) 48RE                             | 1   | 03-07 | AE          | 22769-R  |
| A231                          | Piston, direct clutch (aluminum) A518/A618/46RH/47RH         | 1   | 99-07 | 2464651AB   | 22732-R  |
| A232                          | Spring, direct clutch A518/A618/46RH/47RH                    | 9   | 99-07 | AE          | 22733-R  |
| A233                          | Retainer, direct clutch springs A518/A618/46RH/47RH          | 1   | 90-07 | AE          | 22734-R  |
| B236                          | Shaft, input w/hub (w/lock-up) A518/A618/46RH/47RH           | 1   | 90-93 | 4505222     | 22731B-R |
| B236                          | Shaft, input w/hub (w/o lock-up) A518/A618/46RH/47RH         | 1   | 90-93 | 4505223     | 22731C-R |
| B236                          | Shaft, input w/hub (w/lock-up) A518/A618/46RH/47RH           | 1   | 94-07 | 4617396     | 22731D-R |
| B236                          | Shaft, input w/hub (w/o lock-up) A518/A618/46RH/47RH         | 1   | 94-95 | A/E         | 22731E-R |
| B238                          | Housing, forward clutch A518/A618/46RH/47RH                  | 1   | 99-07 | 3743622     | 22736-R  |
| B238                          | Housing, forward clutch 48RE (beveled on bottom)             | 1   | 03-07 | AE          | 22736A-R |
| B239                          | Piston, forward clutch (aluminum) A518/A618/46RH/47RH        | 1   | 90-07 | 3743624AB   | 22737-R  |
| B240                          | Spring, diaphragm .072" A518/A618/46RH/47RH                  | 1   | 90-07 | 3743621     | 22637A   |
| B240                          | Spring, diaphragm .072" A518/A618/46RH/47RH                  | 1   | 90-07 | 3743621     | 22637A-R |
| B242                          | Planetary, front 4 pinions (aluminum) A518/A618/46RH/47RH    | 1   | 90-07 | 4428224     | 22136    |
| B242                          | Planetary, front 4 pinions (aluminum) A518/A618/46RH/47RH    | 1   | 90-07 | AE          | 22136-R  |
| B242                          | Planetary, front 5 pinions (steel) A518/A618/46RH/47RH       | 1   | 94-07 | 4617612     | 22137-R  |
| B242                          | Planetary, front 6 pinions (steel) A518/A618/46RH/47RH/48RE  | 1   | 94-07 | 4539127     | 22138-R  |
| C243                          | Gear, ring front (58T clutch) A518/A618/46RH/47RH            | 1   | 90-03 | 2892656     | 22140-R  |
| C243                          | Gear, ring front (92T clutch) 48RE                           | 1   | 03-07 | 52854043AA  | 22140A-R |
| C244                          | Shell, drive w/sun gear 3 tab washer                         | 1   | 90-94 | AE          | 22728-R  |
| C244                          | Shell, drive w/sun gear 6 tab washer (.175" thick at lug)    | 1   | 95-07 | AE          | 22728A-R |
| C244                          | Shell, drive w/sun gear 48RE (.240" thick at lug)            | 1   | 03-07 | 52854056AA  | 22728B-R |
| C245                          | Gear, front/rear sun 48RE                                    | 1   | 03-07 | 52854048AA  | 22729    |
| C247                          | Planetary, rear 3 pinions (aluminum) A518/A618/46RH/47RH     | 1   | 90-07 | 2466539     | 22753-R  |



# A518•518•A618•618•48RE

A518•A618•48RE

| ILL                           | DESCRIPTION                               | QTY                                    | YEAR | REFERENCE # | PART #     |          |
|-------------------------------|---|--|------|-------------|------------|----------|
| <b>HARD PARTS (CONTINUED)</b> |   |  |      |             |            |          |
| C247                          | Planetary, rear 4 pinions (aluminum)      | A518/A618/46RH/47RH                    | 1    | 90-07       | 2801061    | 22753A-R |
| C247                          | Planetary, rear 5 pinions                 | A518/A618/46RH/47RH                    | 1    | 95-07       | 4431438    | 22753B-R |
| C247                          | Planetary, rear 6 pinions (aluminum)      | A518/A618/46RH/47RH                    | 1    | 03-07       | 52854140AA | 22753C   |
| C247                          | Planetary, rear 6 pinions (steel)         | A518/A618/46RH/47RH                    | 1    | 03-07       | AE         | 22753C-R |
| C248                          | Gear, rear ring                           | A518/A618/46RH/47RH                    | 1    | 90-07       | 4617779    | 22749-R  |
| C248                          | Gear, rear ring (w/lube holes)            | 48RE                                   | 1    | 03-07       | AE         | 22749A-R |
| C249                          | Drum, reverse w/12 roller clutch          | small band                             | 1    | 90-93       | 4505095    | 22757A-R |
| C249                          | Drum, reverse w/14 roller clutch          | A518/A618/46RH/47RH                    | 1    | 91-07       | 52118057   | 22757C   |
| C249                          | Drum, reverse w/14 roller clutch          | A518/A618/46RH/47RH                    | 1    | 91-07       | AE         | 22757C-R |
| D254                          | Support, intermediate shaft               | overdrive clutch piston retainer       | 1    | 90-07       | 52118180   | 22754B   |
| D254                          | Support, intermediate shaft               | 1st design (od clutch piston retainer) | 1    | 90-95       | 52118180   | 22754B-R |
| D254                          | Support, intermediate shaft               | 2nd design (od clutch piston retainer) | 1    | 95-07       | 52117975   | 22754C-R |
| D255                          | Piston, overdrive direct (aluminum)       | A518/A618/46RH/47RH                    | 1    | 90-07       | 4431695    | 22758-R  |
| D257                          | Shaft, intermediate                       | A518/A618/46RH/47RH                    | 1    | 90-07       | 4617611    | 22175    |
| D257                          | Shaft, intermediate                       | A518/A618/46RH/47RH                    | 1    | 90-07       | AE         | 22175-R  |
| E259                          | Hub, overdrive direct clutch              | A518/A618/46RH/47RH                    | 1    | 90-07       | 4461072    | 12938-R  |
| E260                          | Spring, coil                              | A518                                   | 1    | 90-07       | 4461027    | 12603    |
| E261                          | Gear, overdrive sun                       | 22° pitch w/o groove                   | 1    | 90-95       | 4461022    | 12935    |
| E261                          | Gear, overdrive sun                       | 22° pitch w/o groove                   | 1    | 90-95       | AE         | 12935-R  |
| E261                          | Gear, overdrive sun                       | 15° pitch w/1 groove                   | 1    | 90-07       | 4778742    | 12935A   |
| E261                          | Gear, overdrive sun                       | 15° pitch w/1 groove                   | 1    | 90-07       | AE         | 12935A-R |
| E261                          | Gear, overdrive sun                       | straight cut gears                     | 1    | 90-07       | 4461127    | 12935B   |
| E261                          | Gear, overdrive sun                       | straight cut gears                     | 1    | 90-07       | AE         | 12935B-R |
| E262                          | Planetary, overdrive (early 22° pitch)    | 4 pinion gears (17 pinion teeth)       | 1    | 90-95       | 441017     | 12936    |
| E262                          | Planetary, overdrive (early 22° pitch)    | 4 pinion gears (17 pinion teeth)       | 1    | 90-95       | AE         | 12936-R  |
| E262                          | Planetary, overdrive (late 15° pitch)     | 5 pinion gears (17 pinion teeth)       | 1    | 90-07       | 4798520    | 12936A   |
| E262                          | Planetary, overdrive (late 15° pitch)     | 4 pinion gears (17 pinion teeth)       | 1    | 90-07       | AE         | 12936A-R |
| E262                          | Planetary, overdrive (straight cut gears) | 4 pinion gears                         | 1    | 90-07       | n//a       | 12936B   |
| E262                          | Planetary, overdrive (straight cut gears) | 4 pinion gears                         | 1    | 90-07       | AE         | 12936B-R |
| E262                          | Planetary, overdrive                      | 6 pinion gears                         | 1    | 03-07       | 5093158AA  | 12936C   |
| E262                          | Planetary, overdrive                      | 6 pinion gears                         | 1    | 03-07       | AE         | 12936C-R |
| E264                          | Race, inner overdrive                     | A518/A618/46RH/47RH                    | 1    | 90-07       | 4461124    | 12933-R  |
| E265                          | Gear, overdrive ring (22° pitch)          | early pitch                            | 1    | 90-07       | 4746348    | 12937-R  |
| E265                          | Gear, overdrive ring (15° pitch)          | late pitch                             | 1    | 90-07       | 4461012    | 12937A-R |
| E265                          | Gear, overdrive ring                      | straight cut                           | 1    | 90-07       | AE         | 12937B-R |
| E266                          | Housing, overdrive direct (6-clutch)      | A518/A618/46RH/47RH                    | 1    | 90-07       | 4461040    | 12939-R  |
| E266                          | Housing, overdrive direct (8-clutch)      | A518/A618/46RH/47RH                    | 1    | 90-07       | 4461089    | 12939A-R |
| F267                          | Shaft, ouput 2WD (1.067" key slot)        | A518/A618/46RH/47RH                    | 1    | 90-94       | AE         | 12180-R  |
| F267                          | Shaft, ouput 2WD (1.437" key slot)        | A518/A618/46RH/47RH                    | 1    | 90-94       | AE         | 12180A-R |
| F267                          | Shaft, ouput 2WD (1.437" key slot)        | A518/A618/46RH/47RH                    | 1    | 90-94       | AE         | 12180B-R |
| F267                          | Shaft, ouput 2WD (w/o slot 13T speedo)    | A518/A618/46RH/47RH                    | 1    | 94-97       | AE         | 12180C-R |
| F267                          | Shaft, ouput 4WD 9.125"                   | A518/A618/46RH/47RH (1.067" key slot)  | 1    | 90-94       | AE         | 12180D-R |
| F267                          | Shaft, ouput 4WD 9.125"                   | A518/A618/46RH/47RH (1.437" key slot)  | 1    | 90-94       | AE         | 12180E-R |
| F267                          | Shaft, ouput 4WD 5.125" w/pilot           | A518/A618/46RH/47RH                    | 1    | 95-07       | AE         | 12180F-R |
| F267                          | Shaft, ouput 4WD 5.125" w/o pilot         | A518/A618/46RH/47RH                    | 1    | 95-07       | AE         | 12180G-R |
| F267                          | Shaft, ouput 2WD                          | 48RE                                   | 1    | 03-07       | AE         | 22180-R  |
| F271                          | Governor assembly                         | A518                                   | 1    | 90-95       | 4863714    | 12410B-R |
| F272                          | Governor body (3 ring grooves)            | A518/A618/46RH/47RH (2-tubes fit in)   | 1    | 90-95       | AE         | 12412-R  |
| F274                          | Support, governor retainer (sleeve)       | no rings                               | 1    | 90-95       | 4461002    | 12875    |
| F275                          | Tubes, governor feed w/bracket            | A518/A618/46RH/47RH                    | 1    | 90-95       | AE         | 12414-R  |
| G277                          | Case, V/8 (.900" od uses K22960)          | 2.812" od rear servo                   | 1    | 90-95       | AE         | 22980-R  |
| G277                          | Case, V/8 (.900" od uses K22962)          | 2.812" od rear servo                   | 1    | 90-95       | AE         | 22980A-R |
| G277                          | Case, V/8 (1.080" od uses K22962)         | screw-in neutral start switch (2.812") | 1    | 96-99       | AE         | 22980B-R |

| ILL                           | DESCRIPTION                              | QTY | YEAR  | REFERENCE #    | PART #       |
|-------------------------------|--|-----|-------|----------------|--------------|
| <b>HARD PARTS (CONTINUED)</b> |  |     |       |                |              |
| G277                          | Case, V/8 (1.080" od uses K22962)        | 1   | 96-07 | AE             | 22980C-R     |
| G277                          | Case, V/8 (.900" od uses K22962)         | 1   | 90-95 | Dakota/Durango | 22980D-R     |
| G277                          | Case, V/8 (1.080" od uses K22962)        | 1   | 96-00 | Dakota/Durango | 22980E-R     |
| G277                          | Case, V/8 (1.080" od uses K22962)        | 1   | 01-07 | Dakota/Durango | 22980F-R     |
| G277                          | Case, diesel (.900" od uses K22962)      | 1   | 90-94 | AE             | 22980G-R     |
| G277                          | Case, diesel (.900" od uses K22962)      | 1   | 95-02 | AE             | 22980H-R     |
| G277                          | Case, diesel (1.080" od uses K22962)     | 1   | 95-02 | AE             | 22980J-R     |
| G277                          | Case, diesel/V10 (1.080" od uses K22962) | 1   | 02-07 | AE             | 22980K-R     |
| G277                          | Case, diesel/V10 (1.080" od uses K22962) | 1   | 95-02 | AE             | 22980L-R     |
| G277                          | Case, diesel/V10 (1.080" od uses K22962) | 1   | 03-07 | AE             | 22980M-R     |
| G277                          | Case, diesel (1.080" od uses K22962)     | 1   | 03-07 | AE             | 22980N-R     |
| G277                          | Case, diesel (1.080" od uses K22962)     | 1   | 05-07 | AE             | 22980P-R     |
| G277                          | Case, V/8 (.900" od uses K22962)         | 1   | 91-94 | AE             | 22980Q-R     |
| G277                          | Case, V/8 1.080" od uses K22962)         | 1   | 95-02 | AE             | 22980R-R     |
| G278                          | Housing, extension 2WD                   | 1   | 90-95 | AE             | 22780-R      |
| G278                          | Housing, extension 4WD (15..875" oh)     | 1   | 96-02 | AE             | 22780A-R     |
| G278                          | Housing, extension 4WD (15..875" oh)     | 1   | 95-02 | AE             | 22780B-R     |
| G278                          | Housing, extension 4WD (15..875" oh)     | 1   | 96-02 | AE             | 22780C-R     |
| G278                          | Housing, extension 2WD                   | 1   | 95-03 | AE             | 22780D-R     |
| G278                          | Housing, extension 2WD                   | 1   | 95-02 | AE             | 22780E-R     |
| G278                          | Housing, extension 2WD (2.985" od seal)  | 1   | 03-07 | AE             | 22780F-R     |
| G278                          | Housing, extension 4WD (10.875" oh)      | 1   | 95-02 | AE             | 22780G-R     |
| G278                          | Housing, extension 4WD (10.875" oh)      | 1   | 95-02 | AE             | 22780H-R     |
| G278                          | Housing, extension 4WD (10.875" oh)      | 1   | 95-02 | AE             | 22780J-R     |
| G307                          | Strut, front band (heavy duty)           | 1   | 90-07 | K031           | 22718        |
| H316                          | Piston, accumulator (aluminum)           | 1   | 90-07 | 3743650        | 12703-R      |
| H319                          | Spring, reverse servo                    | 1   | 90-07 | AE             | 22709-R      |
| H323                          | Piston, reverse servo (steel)            | 1   | 90-07 | K029           | 22528        |
| H323                          | Piston, reverse servo 1.585" oh          | 1   | 90-94 | AE             | 22529-R      |
| H323                          | Piston, reverse servo 1.820" oh          | 1   | 90-07 | AE             | 22529A-R     |
| H323                          | Piston, reverse servo 1.882" oh          | 1   | 90-07 | AE             | 22529B-R     |
| H323                          | Piston, reverse servo 1.840" oh          | 1   | 90-07 | AE             | 22529C-R     |
| H325                          | Pan, bottom (deep)                       | 1   | 90-07 | AE             | 22909        |
| H328                          | Valve body (w/o lock-up)                 | 1   | 90-94 | AE             | 22275-R      |
| H328                          | Valve body (w/o lock-up)                 | 1   | 90-94 | AE             | 22275A-R     |
| H328                          | Valve body (w/lock-up)                   | 1   | 95-99 | AE             | 22275B-R     |
| H328                          | Valve body (w/lock-up)                   | 1   | 95-99 | AE             | 22275C-R     |
| H328                          | Valve body (w/lock-up)                   | 1   | 95-99 | AE             | 22275D-R     |
| H328                          | Valve body (w/lock-up)                   | 1   | 00-07 | AE             | 22275E-R     |
| H328                          | Valve body (w/lock-up)                   | 1   | 01-07 | AE             | 22275F-R     |
| n/i                           | Kit, planetary/sun gear/ring gear        | 1   | 90-07 | 4874396        | K12936       |
| n/i                           | Kit, planetary/sun gear/ring gear        | 1   | 90-07 | 4874396        | K12936-R     |
| n/i                           | Kit, planetary/sun gear/ring gear        | 1   | 90-07 | 4874392        | K12936A      |
| n/i                           | Kit, planetary/sun gear/ring gear        | 1   | 90-07 | 4874392        | K12936A-R    |
| n/i                           | Kit, planetary/sun gear/ring gear        | 1   | 90-07 | n/a            | K12936B      |
| n/i                           | Kit, planetary/sun gear/ring gear        | 1   | 90-07 | AE             | K12936B-R    |
| n/i                           | Kit, planetary/sun gear/ring gear        | 1   | 03-07 | n/a            | K12936C      |
| n/i                           | Kit, planetary/sun gear/ring gear        | 1   | 03-07 | AE             | K12936C-R    |
| n/i                           | Lever, detent w/insulator                | 1   | 90-07 | 3410484        | 22420-R      |
| n/i                           | Lever, detent w/short insulator          | 1   | 02-07 | 4617438AB      | 22420A       |
| n/i                           | Grommet, linkage                         | 2   | 90-07 | n/a            | 96-114       |
| n/i                           | Spring                                   | 1   | 90-07 | 12861-01       | SON-12861-01 |
| n/i                           | VB spacer plate, improved                | 1   | 90-97 | TF-PLT-94S     | 22531        |





**LINE CARD**

**A TO Z TOOLS**

Transmission Tools  
**AC-DELCO**  
 Hard Parts, Standard, Automatic, Switches  
**ALTO**  
 Lined Clutches, Steels  
**ATEC TRANS-TOOL**  
 Specialty Tools  
**AUTO CRAFT**  
 Flywheels, Clutch Forks, Cables  
**AUTO GEAR**  
 Standard Transmission Parts, Transfer Case Parts, Standard Transmission Assys., Transfer Case Assys.  
**AUTO TRANS GROUP**  
 Electrical Parts  
**A.T.S.G.**  
 Tech Manuals, Videos  
**B & M PRODUCTS**  
 Performance Kit Products  
**BORG WARNER**  
 Bands, Sprags, Frictions, Drive Chains  
**CR SEALS**  
 Speedy Sleeves, Metal Clad Seals, Bearings  
**CROWN**  
 Standard Parts  
**DACCO**  
 Converters  
**DERALE**  
 Coolers  
**DT COMPONENTS**  
 Drive Train Products  
**G-TEC**  
 Cleaning Chemicals  
**GABBERT AUTOMOTIVE**  
 Electrical Connectors  
**KENTMORE**  
 Transmission Tools  
**LIFE PRODUCTS**  
 Additives, Cooler Flush  
**LONG MFG.**  
 Coolers, Brackets

**LOU FUSZ TOYOTA**

Hard Parts  
**LOVE BOX**  
 Boxes  
**LUBE GUARD**  
 Additives  
**MERIDIAN IND.**  
 Axle Savers, Hard Parts, Speciality Items  
**MIDWEST MFG.**  
 Flywheels, Ring Gears  
**MIDWEST TRUCK**  
 Standard Transmission Parts, Bearings, Gaskets  
**MILLER SPECIALTY TOOLS**  
 Transmission Tools  
**MUSCLE PRODUCTS**  
 Additives  
**NACHI TECHNICAL**  
 Bearings  
**NEAPCO**  
 U-Joints, Boots, CV Joints  
**NTP**  
 Solenoids  
**OMEGA MACHINE**  
 Transfer Case parts  
**OTC**  
 Transmission Tools  
**PRAIRIE COMPONENTS**  
 Pump Vanes/Sprags  
**PRECISION INT'L**  
 Gasket Sets, Gaskets  
**QUIK SHIM**  
 Washers, Equipment  
**R & B MOTORMITE**  
 Dorman Products  
**RADIATOR SPECIALTY**  
 Hoses, Clamps  
**RAYMARK INDUSTRIES**  
 Clutch Disc (Lined), Plates (Steel), Bands  
**Parker (SAP) Hard Parts,**  
 Solenoids  
**ROSTRA**  
 Modulators, Solenoids, Test Equipment

**SCHAFFER**

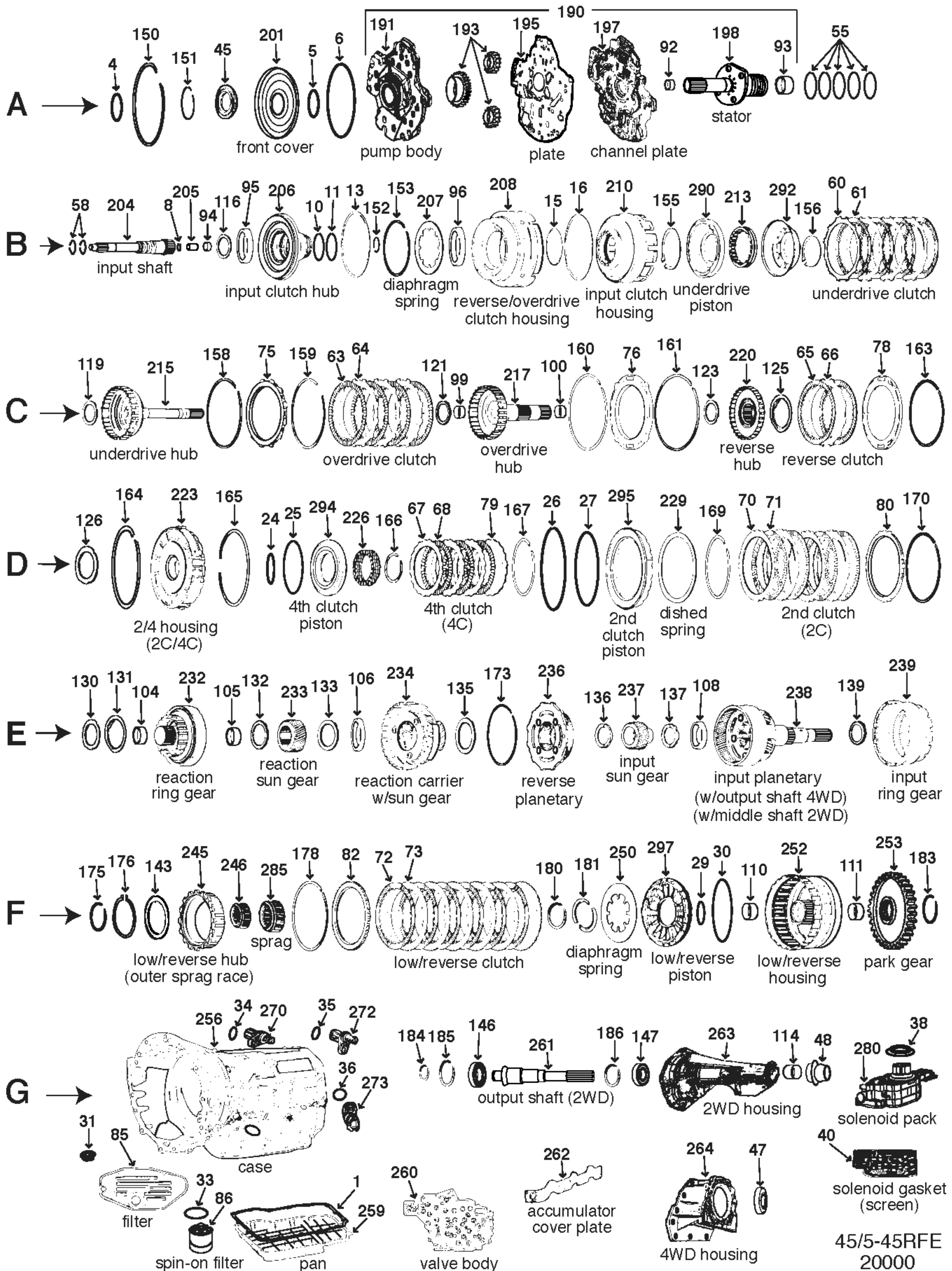
Electronic Test Equipment, Pressure Risers  
**SEYMOUR PAINTS**  
 Paints  
**SONNAX IND**  
 Governor Gears, Governor Assys., Governor Covers, Speed Items, Automotive Specialty Products  
**SOUTHEAST**  
 Mounts, Specialty Items  
**SPX - FILTRAN**  
 Filters, Rings  
**SPX - MIAMI**  
 Gasket Kits, Rings, Bushings, Seals, Steels, Frictions, Hard Parts  
**SUPERIOR**  
 Shift Correction Kits, Pumps  
**TECK-PAK**  
 Change Over Kits, Shims, Solenoids, Cables  
**TIC**  
 Standard Parts  
**TRANSCO**  
 Shift Kits, Performance Kits  
**TRANS LAB**  
 Correction Kits  
**TRANSMOTIVE (Wade)**  
 Standard Transmission Parts, Bearings, Gaskets  
**TRANSTEC**  
 Gasket Sets, Seals  
**TRI-COMPONENT**  
 Bushings, Washers, Pump Gears, Hard Parts  
**VALEO**  
 Standard Clutch Sets  
**VENTURE PRODUCTS**  
 Ring Gears, Flywheels  
**ZOOM**  
 Transmission Testers

A & Reds  
 Transmission Parts  
 3737 W. 29th South  
 Wichita, KS 67217  
 Local (Wichita) 316-942-5300  
 Nat. Toll Free 1-800-835-1007  
 email:parts@areds.com

Ask the  
**IMPOSSIBLE,**  
 we might  
 surprise You!

A & Reds Kansas City  
 2000 Indiana  
 Kansas City, MO 64127  
 Local (Kansas City) 816-483-7337  
 Fax: 816-483-3109  
 866-780-7337





| ILL                                  | DESCRIPTION   | QTY | YEAR  | REFERENCE #  | PART #    |
|--------------------------------------|---|-----|-------|--------------|-----------|
| <b>TECHNICAL MANUALS</b>             |   |     |       |              |           |
| K53                                  | Tech manual 45/545RFE dis/assembly diagnosis/troubleshooting                  | 1   | 99-08 | 45/545RFE-TM | 010-112   |
| <b>REBUILDER KITS</b>                |   |     |       |              |           |
| K4                                   | Master deluxe rebuild kit 45RFE w/pistons                                     | 1   | 99-04 | AE           | K2000-R   |
| K4                                   | Master deluxe rebuild kit 45RFE w/o pistons                                   | 1   | 05-10 | AE           | K2000A-R  |
| K4                                   | Master deluxe rebuild kit 5-45RFE w/pistons                                   | 1   | 05-10 | AE           | K2000B-R  |
| K4                                   | Master deluxe rebuild kit 5-45RFE w/o pistons                                 | 1   | 05-10 | AE           | K2000C-R  |
| K5                                   | Master kit w/steels 45RFE w/pistons   | 1   | 99-04 | AE           | K2000     |
| K5                                   | Master kit w/steels 45RFE w/o pistons   | 1   | 05-10 | AE           | K2000A    |
| K5                                   | Master kit w/steels 5-45RFE w/pistons   | 1   | 05-10 | AE           | K2000B    |
| K5                                   | Master kit w/steels 5-45RFE w/o pistons                                       | 1   | 05-10 | AE           | K2000C    |
| K6                                   | Master kit w/o steels 45RFE w/pistons   | 1   | 99-04 | AE           | K2000-LS  |
| K6                                   | Master kit w/o steels 45RFE w/o pistons                                       | 1   | 05-10 | AE           | K2000A-LS |
| K6                                   | Master kit w/o steels 5-45RFE w/pistons                                       | 1   | 05-10 | AE           | K2000B-LS |
| K6                                   | Master kit w/o steels 5-45RFE w/o pistons                                     | 1   | 05-10 | AE           | K2000C-LS |
| K7                                   | O/H gasket set w/seals-rings 45RFE w/pistons                                  | 1   | 99-04 | DP2350       | K20900    |
| K7                                   | O/H gasket set w/seals-rings 45RFE w/o pistons                                | 1   | 05-10 | FDB-DP2476   | K20900A   |
| K7                                   | O/H gasket set w/seals-rings 5-45RFE w/pistons                                | 1   | 05-10 | FDB-DP2505   | K20900B   |
| K7                                   | O/H gasket set w/seals-rings 5-45RFE w/o pistons                              | 1   | 05-10 | FDB-DP2506   | K20900C   |
| K43                                  | Kit, bonded piston 45/5-45RFE   | 1   | 99-04 | AE           | K20585    |
| K43                                  | Kit, bonded piston 5-45RFE  | 1   | 05-10 | AE           | K20586    |
| <b>VALVE BODY KITS</b>               |   |     |       |              |           |
| K15                                  | Shift Kit® prevents/reduces 2-3 neutral slip codes upgraded (45/545RFE/68RFE) | 1   | 99-08 | SK® 45RFE    | K20908    |
| K15                                  | Reprogramming Kit™ heavy duty high performance (45/545RFE)                    | 1   | 99-04 | 45RFE-HD2    | 45RFE-HD2 |
| <b>GASKETS AND RUBBER COMPONENTS</b> |   |     |       |              |           |
| G1                                   | Gasket, oil pan neoprene/cork   | 1   | 99-10 | n/a          | 13199X    |
| G1                                   | Gasket, oil pan Duraprene®  | 1   | 99-10 | n/a          | 13199D    |
| A4                                   | O'ring converter hub  | 1   | 99-10 | 4736547      | 24080     |
| A5                                   | Seal, "H" inner pump cover to pump  | 1   | 99-06 | 4799074      | 24067     |
| A6                                   | O'ring outer pump cover to pump   | 1   | 99-10 | 4799003      | 24077     |
| G31                                  | Seal filter to pump   | 1   | 99-10 | 4799964AA    | 24064     |
| G34                                  | O'ring input speed sensor   | 1   | 99-10 | 4799062      | 24078     |
| G35                                  | O'ring output speed sensor  | 1   | 99-10 | 4799062      | 24078     |
| G36                                  | O'ring pressure sensor  | 1   | 99-10 | 4799758      | 13764     |
| G38                                  | Gasket (rubber) solenoid to case  | 1   | 99-03 | B33048       | 24068     |
| G40                                  | Gasket (w/screen) solenoid w/black connector                                  | 1   | 99-04 | B32845       | 24079     |
| G40                                  | Gasket (w/screen) solenoid w/white connector                                  | 1   | 04-10 | B32755       | 24079A    |
| n/i                                  | Seal valve body to case   | 3   | 99-10 | 4799778      | 24066     |
| n/i                                  | Seal oil filler tube  | 1   | 99-10 | 4810021      | 13931     |
| <b>METAL CLAD SEALS</b>              |   |     |       |              |           |
| A45                                  | Seal, metal clad front  | 1   | 99-10 | 4617919      | 20573     |
| G47                                  | Seal, metal clad adapter housing 4WD  | 1   | 04-10 | 5019020AB    | 20576     |
| G48                                  | Seal, metal clad (w/boot) extension housing                                   | 1   | 99-10 | 4531216      | 16695C    |
| G48                                  | Seal, metal clad (w/flange w/o boot) extension housing                        | 1   | 99-10 | 3515383      | 4743C     |
| n/i                                  | Seal, metal clad manual lever shaft   | 1   | 99-10 | 4799346      | 20574     |
| <b>SEALING RINGS</b>                 |   |     |       |              |           |
| K10                                  | Kit, sealing ring 45RFE/5-45RFE   | 1   | 99-10 | AE           | K20950    |
| A55                                  | Ring, sealing stator support  | 5   | 99-10 | 4799056      | 20300     |
| B58                                  | Ring, sealing (metal) input shaft   | 3   | 99-10 | 4799539      | 20301     |
| B58                                  | Ring, sealing (teflon) input shaft  | 3   | 99-10 | 4799539      | 20301T    |
| n/i                                  | Ring, sealing (teflon) accumulator pistons                                    | 10  | 99-10 | 4446544      | 49802     |
| <b>CLUTCH PLATES</b>                 |   |     |       |              |           |
| B61                                  | Friction. 078" 6.364" od 32T underdrive clutch                                | 4   | 99-10 | 4799106      | 20108     |
| B60                                  | Steel .068" 5.400" id 12T underdrive clutch                                   | 4   | 99-10 | 4799105AB    | 20105     |

# 45RFE•5-45RFE

45RFE•5-45RFE

| ILL                                 | DESCRIPTION   | QTY | YEAR  | REFERENCE # | PART #   |
|-------------------------------------|---|-----|-------|-------------|----------|
| <b>CLUTCH PLATES (CONTINUED)</b>    |   |     |       |             |          |
| B60                                 | Steel .076" 5.400" id 12T underdrive clutch                     | ar  | 99-10 | n/a         | 20107    |
| C63                                 | Friction .090" 6.364" od 32T overdrive clutch                   | 4   | 99-10 | 4799114     | 20110    |
| C64                                 | Steel .086" 5.400" id 12T overdrive clutch                      | 3/4 | 99-10 | 4799398AB   | 20109    |
| C65                                 | Friction .078" 6.364" od 32T (high energy) reverse clutch       | 2   | 99-10 | 4799757     | 20106    |
| C66                                 | Steel .068" 5.400" id 12T reverse clutch                        | 1/2 | 99-10 | 4799105AB   | 20105    |
| D67                                 | Steel .099" 4.239" id 20T 4th clutch                            | 3   | 99-10 | 4799529     | 20103    |
| D68                                 | Friction .090" 5.331" od 24T 4th clutch                         | 3   | 99-10 | 4799530     | 20104    |
| D70                                 | Steel .129" 6.771" id 10T 2nd clutch                            | 2   | 99-10 | 4799243     | 20101    |
| D71                                 | Friction .090" 8.109" od 40T 2nd clutch                         | 2   | 99-10 | 4799244     | 20102    |
| F72                                 | Friction .078" 6.844" od 32T low/reverse clutch                 | 6   | 99-10 | 4799461     | 20112    |
| F73                                 | Steel .068" 5.697" id 45T low/reverse clutch                    | 6   | 99-10 | 4799460     | 20111    |
| <b>PRESSURE PLATES</b>              |   |     |       |             |          |
| C75                                 | Pressure plate .281" underdrive clutch                          | 1   | 99-10 | 4799107AB   | 20150-R  |
| C76                                 | Pressure plate .385" overdrive clutch                           | 1   | 99-10 | 4799550     | 20151-R  |
| C78                                 | Pressure plate .338" reverse clutch                             | 1   | 99-10 | 4799121     | 20152-R  |
| D79                                 | Pressure plate .196" 4th clutch                                 | 1   | 99-10 | AE          | 20154-R  |
| D80                                 | Pressure plate .325" 2nd clutch                                 | 1   | 99-10 | 4799533     | 20153-R  |
| F82                                 | Pressure plate .311" low/reverse clutch                         | 1   | 99-10 | AE          | 20155-R  |
| <b>FILTERS</b>                      |   |     |       |             |          |
| K9                                  | Kit, filter (2WD) neoprene/cork                                 | 1   | 99-10 | AE          | FK20776  |
| K9                                  | Kit, filter (2WD) Duraprene®                                    | 1   | 99-10 | AE          | DK20776  |
| K9                                  | Kit, filter (4WD) neoprene/cork                                 | 1   | 99-10 | AE          | FK20776A |
| K9                                  | Kit, filter (4WD) Duraprene®                                    | 1   | 99-10 | AE          | DK20776A |
| G85                                 | Filter (2WD) 45RFE/5-45RFE                                      | 1   | 99-10 | 4800029AA   | 20776    |
| G85                                 | Filter (4WD) 45RFE/5-45RFE                                      | 1   | 99-10 | 4799507     | 20776A   |
| G86                                 | Filter (spin on) 45RFE/5-45RFE                                  | 1   | 99-10 | 4799662     | 20777    |
| n/i                                 | Screen, filter reverse and overdrive clutch                     | 1   | 99-10 | 4531903     | 48714    |
| <b>BUSHINGS</b>                     |   |     |       |             |          |
| K13                                 | Kit, bushing 45RFE/5-45RFE                                      | 1   | 99-10 | AE          | K20901   |
| A92                                 | Bushing pump stator front                                       | 1   | 99-10 | 4799656     | 20002    |
| A93                                 | Bushing pump stator rear  | 1   | 99-10 | 4799583     | 20003    |
| B94                                 | Bushing input shaft   | 1   | 99-10 | 4799544     | 20004    |
| B96                                 | Bushing reverse/overdrive clutch housing                        | 1   | 99-10 | 4799644     | 20005    |
| C99                                 | Bushing overdrive clutch hub front                              | 1   | 99-10 | 4799552     | 20011    |
| C100                                | Bushing overdrive clutch hub rear                               | 1   | 99-10 | 4799132     | 20012    |
| E104                                | Bushing reaction ring gear front/rear                           | 1   | 99-10 | 4799560     | 20006    |
| E105                                | Bushing reaction ring gear rear                                 | 1   | 99-10 | 4799560     | 20006    |
| E106                                | Bushing reaction carrier w/sun gear                             | 1   | 99-10 | 4799622     | 20010    |
| E108                                | Bushing input planetary w/output shaft                          | 1   | 99-10 | 4799510AB   | 20009    |
| F110                                | Bushing low/reverse housing front                               | 1   | 99-10 | 4799657     | 20007    |
| F111                                | Bushing low/reverse housing rear                                | 1   | 99-10 | 4799657     | 20007    |
| E114                                | Bushing extension housing                                       | 1   | 99-10 | 4799658     | 20008    |
| <b>WASHERS/BEARINGS/RACES/SHIMS</b> |   |     |       |             |          |
| K12                                 | Kit, thrust bearing 45RFE/5-45RFE                               | 1   | 99-10 | AE          | K20906   |
| B116                                | Bearing, thrust .152" 2.360" od input hub to stator support     | 1   | 99-10 | 4799469     | 20400    |
| C119                                | Bearing, thrust .152" 2.360" od underdrive hub to input hub     | 1   | 99-10 | 4799469     | 20400    |
| C121                                | Bearing, thrust .152" 2.360" od overdrive hub to underdrive hub | 1   | 99-10 | 4799469     | 20400    |
| C123                                | Bearing, thrust .152" 2.360" od overdrive hub to reverse hub    | 1   | 99-10 | 4799469     | 20400    |
| C125                                | Bearing, thrust reverse hub to 2/4 housing                      | 1   | 99-10 | 4799936AB   | 20401    |
| D126                                | Washer, thrust spacer 2/4 housing to reverse hub                | 1   | 99-10 | n/a         | 20406    |
| E130                                | Bearing, thrust reaction ring gear to 2/4 housing               | 1   | 99-10 | 4799459     | 20402    |
| E131                                | Washer, thrust reaction ring gear to 2/4 housing                | 1   | 99-10 | n/a         | 20405    |
| E132                                | Bearing, thrust .152" 2.360" od reaction ring gear to sun gear  | 1   | 99-10 | 4799469     | 20400    |

| ILL   | DESCRIPTION  | QTY | YEAR  | REFERENCE # | PART #   |
|---|--|-----|-------|-------------|----------|
| <b>WASHERS/BEARINGS/RACES/SHIMS (CONTINUED)</b> |  |     |       |             |          |
| E133  | Bearing, thrust .152" 2.360" od<br>reaction sun gear to reaction carrier     | 1   | 99-10 | 4799469     | 20400    |
| E135  | Bearing, thrust .152" 2.360" od<br>reaction carrier to reverse planetary     | 1   | 99-10 | 4799469     | 20400    |
| E136  | Bearing, thrust .152" 2.360" od<br>reverse planetary to input sun gear       | 1   | 99-10 | 4799469     | 20400    |
| E136  | Bearing, thrust .206" 2.517" od<br>reverse planetary to input sun gear       | 1   | 05-10 | 52119464AA  | 20403    |
| E137  | Bearing, thrust .152" 2.360" od<br>input gear to input planet w/output shaft | 1   | 99-10 | 4799469     | 20400    |
| E139  | Bearing, thrust<br>input planet w/output shaft to low/rev hsg                | 1   | 99-10 | 4799459     | 20402    |
| F143  | Washer, shim<br>low sprag  | 1   | 99-10 | n/a         | 20408    |
| G146  | Bearing, ball .830" 3.935 od 2.165" id<br>front rear output shaft (2WD)      | 1   | 99-10 | 6211N/C3    | 6211L    |
| G147  | Bearing, ball .671" 1.377" id 2.837" od<br>middle rear output shaft          | 1   | 99-10 | 6207N       | 6207N    |
| <b>SNAP RINGS</b>                               |  |     |       |             |          |
| A150  | Snap ring<br>front cover to case   | 1   | 99-10 | AE          | 20600-R  |
| A151  | Snap ring<br>front cover to seal   | 1   | 99-10 | AE          | 20602-R  |
| B152  | Snap ring<br>input shaft   | 1   | 99-10 | AE          | 20604-R  |
| B153  | Snap ring<br>reverse/overdrive retainer                                      | 1   | 99-10 | AE          | 20608-R  |
| B155  | Snap ring<br>underdrive retainer   | 1   | 99-10 | AE          | 20610-R  |
| B156  | Snap ring<br>underdrive balance piston                                       | 1   | 99-10 | AE          | 20611-R  |
| C158  | Snap ring<br>underdrive clutch   | 1   | 99-10 | AE          | 20612-R  |
| C159  | Snap ring<br>underdrive clutch   | 1   | 99-10 | AE          | 20614-R  |
| C160  | Snap ring<br>overdrive clutch  | 1   | 99-10 | AE          | 20616-R  |
| C161  | Snap ring<br>overdrive clutch  | 1   | 99-10 | AE          | 20618-R  |
| C163  | Snap ring<br>reverse clutch  | 1   | 99-10 | AE          | 20622-R  |
| D164  | Snap ring<br>reverse clutch  | 1   | 99-10 | AE          | 20624-R  |
| D165  | Snap ring<br>2/4 housing   | 1   | 99-10 | AE          | 20626-R  |
| D166  | Snap ring<br>4th retainer  | 1   | 99-10 | AE          | 20629-R  |
| D167  | Snap ring<br>4th clutch  | 1   | 99-10 | AE          | 20632-R  |
| D169  | Snap ring<br>2nd clutch piston   | 1   | 99-10 | AE          | 20635-R  |
| D170  | Snap ring<br>2nd clutch  | 1   | 99-10 | AE          | 20637-R  |
| E173  | Snap ring<br>reverse planetary   | 1   | 99-10 | AE          | 20640-R  |
| F175  | Snap ring<br>inner sprag race  | 1   | 99-10 | AE          | 20641-R  |
| F176  | Snap ring<br>outer sprag race  | 1   | 99-10 | AE          | 20642-R  |
| F178  | Snap ring<br>low/reverse clutch  | 1   | 99-10 | AE          | 20645-R  |
| F180  | Snap ring<br>low/reverse retainer  | 1   | 99-10 | AE          | 20646-R  |
| F183  | Snap ring<br>park gear   | 1   | 99-10 | AE          | 20647-R  |
| F184  | Snap ring<br>front bearing (inner)   | 1   | 99-10 | AE          | 20648-R  |
| G185  | Snap ring<br>front bearing (outer)   | 1   | 99-10 | AE          | 20649-R  |
| G186  | Snap ring<br>middle bearing  | 1   | 99-10 | AE          | 20650-R  |
| n/i   | Snap ring<br>park pawl guide   | 1   | 99-10 | 4799313     | 20652-R  |
| <b>PUMP PARTS AND PUMPS</b>                     |  |     |       |             |          |
| A190  | Pump, assembly<br>has place for front seal                                   | 1   | 99-06 | AE          | 20200-R  |
| A190  | Pump, assembly (steel pump body)<br>no place for front seal                  | 1   | 07-10 | AE          | 20200A-R |
| A198  | Stator, pump<br>45RFE/5-45RFE  | 1   | 99-10 | 47995820AD  | 20500-R  |
| <b>HARD PARTS</b>                               |  |     |       |             |          |
| A201  | Cover, oil pump<br>aluminum pump cover                                       | 1   | 99-06 | 4799609     | 20204    |
| A201  | Cover, oil pump (holds front seal)<br>steel pump cover                       | 1   | 07-10 | n/a         | 20204A   |
| B204  | Shaft, input<br>45RFE/5-45RFE  | 1   | 99-10 | 4799537     | 20701-R  |
| B205  | Check valve, lubrication<br>w/snap ring (in back of input shaft)             | 1   | 99-10 | 4799974AA   | 20982    |
| B206  | Hub, input clutch<br>45RFE/5-45RFE   | 1   | 99-10 | 4799536AD   | 20702-R  |
| B207  | Spring, diaphragm<br>overdrive/reverse                                       | 1   | 99-10 | 4799087     | 20745-R  |
| B208  | Housing, reverse/overdrive clutch<br>45RFE/5-45RFE                           | 1   | 99-10 | 5073525AA   | 20703-R  |
| B210  | Housing, input clutch<br>45RFE/5-45RFE                                       | 1   | 99-10 | 4799648     | 20705-R  |
| B213  | Retainer, w/springs<br>underdrive clutch                                     | 1   | 99-10 | 4799101     | 20707-R  |
| C215  | Hub, underdrive clutch<br>45RFE/5-45RFE                                      | 1   | 99-10 | 4799546     | 20726-R  |
| C217  | Hub, overdrive clutch<br>45RFE/5-45RFE                                       | 1   | 99-10 | 4799550     | 20728-R  |



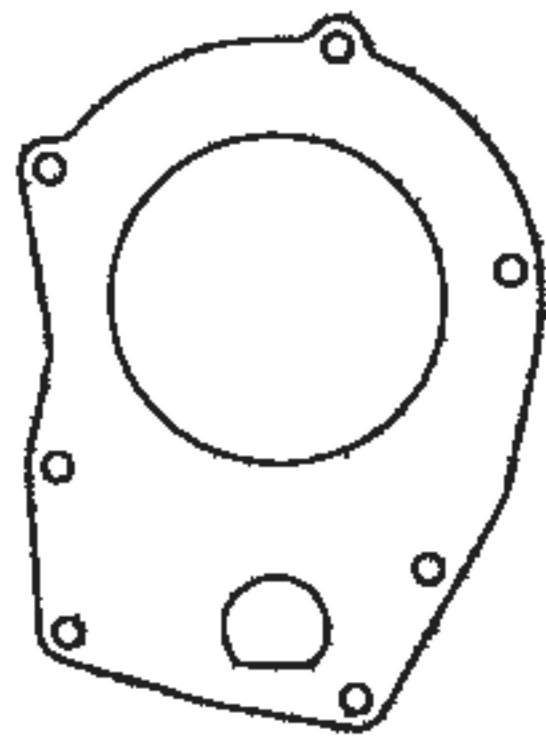
# 45RFE•5-45RFE

45RFE•5-45RFE

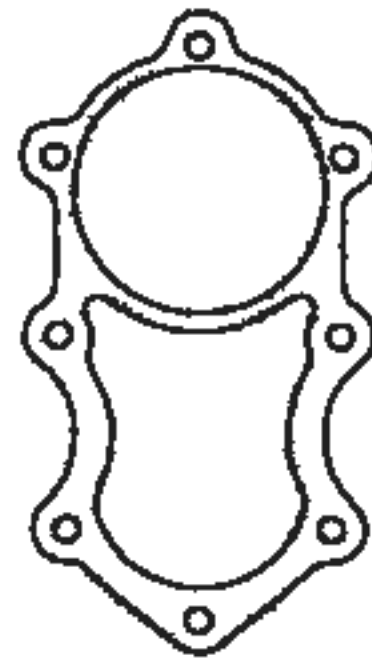
| ILL                           | DESCRIPTION                               | QTY                                       | YEAR | REFERENCE # | PART #     |               |
|-------------------------------|---|---|------|-------------|------------|---------------|
| <b>HARD PARTS (CONTINUED)</b> |   |   |      |             |            |               |
| C220                          | Hub, reverse clutch                       | 45RFE/5-45RFE                             | 1    | 99-10       | 4799556    | 20710-R       |
| D223                          | Housing, 2/4 clutch                       | 45RFE/5-45RFE                             | 1    | 99-10       | 4799498    | 20712-R       |
| D226                          | Retainer, w/springs                       | 4th clutch                                | 1    | 99-10       | 4799527AB  | 20715-R       |
| D229                          | Spring, dished                            | 2nd clutch                                | 1    | 99-10       | n/a        | 20717-R       |
| E232                          | Gear, reaction ring                       | 45RFE/5-45RFE                             | 1    | 99-10       | 4799501    | 20720-R       |
| E233                          | Gear, reaction sun                        | 45RFE/5-45RFE                             | 1    | 99-10       | 4799602    | 20722-R       |
| E234                          | Carrier, reaction                         | 45RFE/5-45RFE                             | 1    | 99-10       | 4799619    | 20730-R       |
| E236                          | Planetary, reverse                        | 45RFE/5-45RFE                             | 1    | 99-10       | 4799503    | 20731-R       |
| E237                          | Gear, input sun .145" lip 42T             | 45RFE/5-45RFE                             | 1    | 99-10       | n/a        | 20723-R       |
| E237                          | Gear, input sun .085" lip 42T             | 45RFE/5-45RFE                             | 1    | 99-10       | 4799586    | 20723A-R      |
| E238                          | Planet, input 23 spl (w/output shaft)     | planet .550" from snap ring to shoulder   | 1    | 99-10       | 4799500    | 20732-R       |
| E238                          | Planet, input 23 splines (w/output shaft) | .670" from snap ring to shoulder          | 1    | 99-10       | AE         | 20732A-R      |
| E238                          | Planet, input 21 splines (w/output shaft) | 45RFE/5-45RFE                             | 1    | 99-10       | AE         | 20732B-R      |
| E238                          | Planet, input 23 splines (w/output shaft) | .395" from snap ring to shoulder          | 1    | 99-10       | AE         | 20732C-R      |
| E239                          | Gear, input ring                          | 45RFE/5-45RFE                             | 1    | 99-10       | 4799501    | 20733-R       |
| F245                          | Hub, race outer sprag                     | low/reverse clutch                        | 1    | 99-10       | n/a        | 20735-R       |
| F249                          | Hub, race inner sprag                     | low/reverse clutch                        | 1    | 99-10       | n/a        | 20736-R       |
| F250                          | Spring, diaphragm                         | low/reverse clutch                        | 1    | 99-10       | AE         | 20746-R       |
| F252                          | Housing, low/reverse clutch               | 45RFE/5-45RFE                             | 1    | 99-10       | n/a        | 20749-R       |
| F253                          | Gear, park                                | 45RFE/5-45RFE                             | 1    | 99-10       | n/a        | 20750-R       |
| G256                          | Case assembly                             | 45RFE/5-45RFE                             | 1    | 99-10       | 4799613    | 20755-R       |
| G259                          | Pan, 2WD                                  | 45RFE/5-45RFE                             | 1    | 99-10       | 4800078AA  | 20760-R       |
| G259                          | Pan, 4WD                                  | 45RFE/5-45RFE                             | 1    | 99-10       | 5013681AA  | 20761-R       |
| G261                          | Shaft, output 2wd                         | 45RFE/5-45RFE                             | 1    | 99-10       | n/a        | 20768-R       |
| G262                          | Plate, accumulator cover                  | requires SON-44892-TL (thread tap)        | 1    | 99-10       | 44892-01K  | SON-44892-01K |
| G263                          | Housing, extension 2WD                    | 45RFE/5-45RFE                             | 1    | 99-10       | 4799495    | 20770-R       |
| G264                          | Housing, adapter 4WD                      | 45RFE/5-45RFE                             | 1    | 99-06       | 52107719   | 20773-R       |
| G264                          | Housing, adapter 4WD                      | 45RFE/5-45RFE                             | 1    | 07-10       | n/a        | 20773A-R      |
| n/i                           | Shaft, shift (manual lever)               | 45RFE/5-45RFE                             | 1    | 99-10       | 4799453    | 20780-R       |
| n/i                           | Rod, park                                 | 45RFE/5-45RFE                             | 1    | 99-10       | 4799611    | 20781-R       |
| n/i                           | Pin, park pawl                            | 45RFE/5-45RFE                             | 1    | 99-10       | 4799450    | 20782-R       |
| n/i                           | Pawl, park                                | 45RFE/5-45RFE                             | 1    | 99-10       | 4799744AC  | 20783-R       |
| n/i                           | Spring, park                              | 45RFE/5-45RFE                             | 1    | 99-10       | 4799451    | 20784-R       |
| n/i                           | Guide, park rod                           | 45RFE/5-45RFE                             | 1    | 99-10       | 4799774    | 20785-R       |
| <b>ELECTRICAL COMPONENTS</b>  |   |   |      |             |            |               |
| G270                          | Sensor                                    | 45RFE (input speed)                       | 2    | 99-10       | 4799061AB  | 5A-298        |
| G272                          | Sensor                                    | 45RFE (output speed)                      | 1    | 99-10       | 4799061AB  | 5A-298        |
| G273                          | Sensor                                    | 45RFE (line pressure)                     | 1    | 99-10       | 4799758AD  | 5A-297        |
| G280                          | Solenoid assembly                         | 45RFE                                     | 1    | 99-03       | 4799934AD  | 5A-157        |
| G280                          | Solenoid assembly                         | 45RFE                                     | 1    | 04-10       | 4800171A   | 5A-157A       |
| n/i                           | Solenoid repair kit                       | 45RFE                                     | 1    | 99-04       | 4994       | K20902        |
| n/i                           | Sensor, range                             | cam plate (Retros 5A-157A back to 5A-157) | 1    | 99-10       | 04799654AC | 04799654AC    |
| <b>SPRAGS</b>                 |   |   |      |             |            |               |
| F285                          | Sprag, roller clutch                      | 45RFE (low)                               | 1    | 99-10       | 4799465    | 20503         |
| <b>BONDED PISTONS</b>         |   |   |      |             |            |               |
| K43                           | Kit, bonded piston                        | 45RFE                                     | 1    | 99-04       | AE         | K20585        |
| K43                           | Kit, bonded piston                        | 5-45RFE                                   | 1    | 05-10       | AE         | K20586        |
| B290                          | Piston, bonded rubber                     | 45RFE (underdrive clutch)                 | 1    | 99-10       | 4799650    | 20530         |
| B292                          | Piston, balance (bonded rubber)           | 45RFE (underdrive clutch)                 | 1    | 99-10       | 4799652    | 20531         |
| D294                          | Piston, bonded rubber                     | 5-45RFE (4th clutch)                      | 1    | 05-10       | B82193     | 20533         |
| D295                          | Piston, bonded rubber                     | 5-45RFE (2nd clutch)                      | 1    | 05-10       | B82192     | 20532         |
| F297                          | Piston, bonded rubber                     | 5-45RFE (low/reverse clutch)              | 1    | 05-10       | B82191     | 20534         |
| n/i                           | Piston, bonded rubber                     | 45RFE (accumulator)                       | 5    | 99-10       | 4446620AC  | 49533         |

# Transfer Case Adapter Gaskets

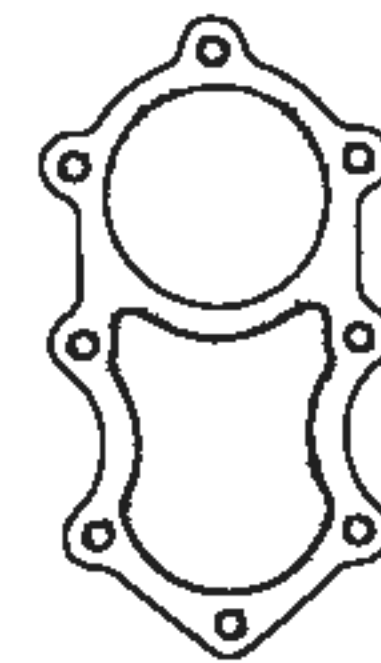
Transfer Case Adapter Gaskets



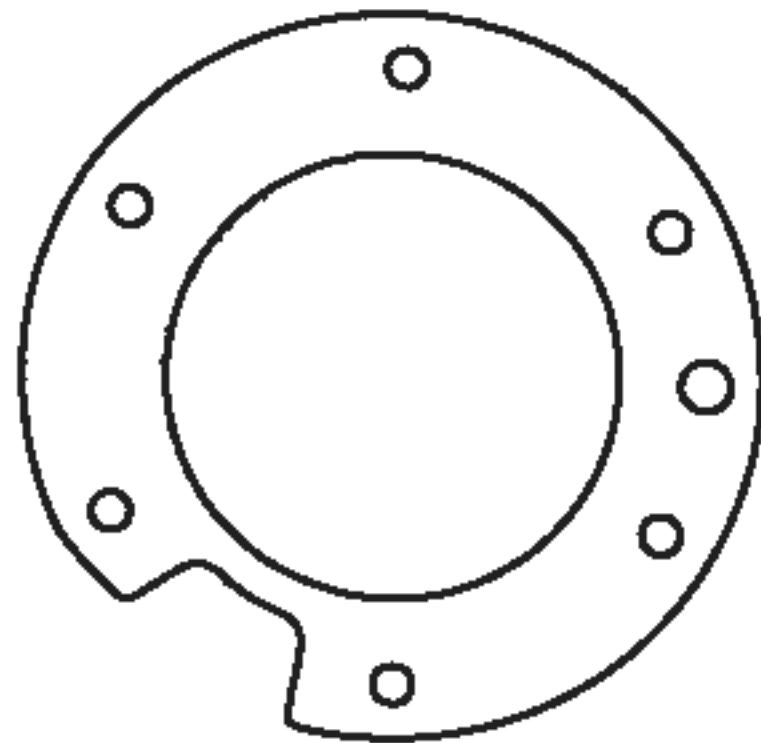
13590



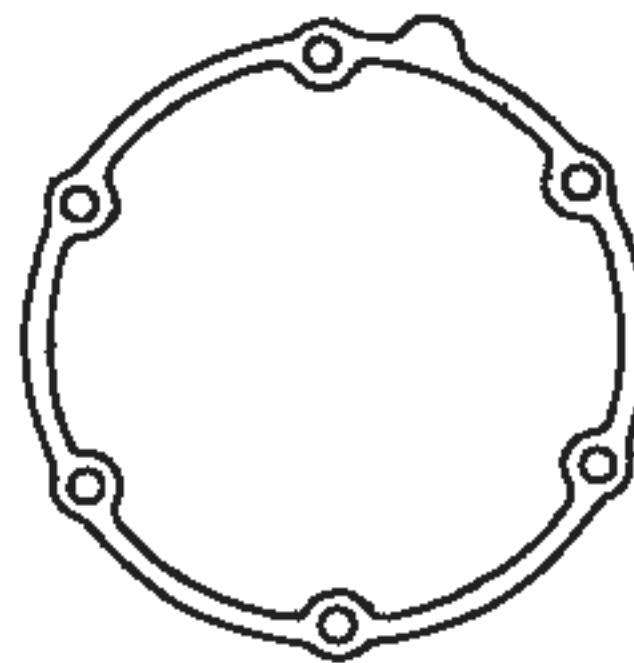
13592A



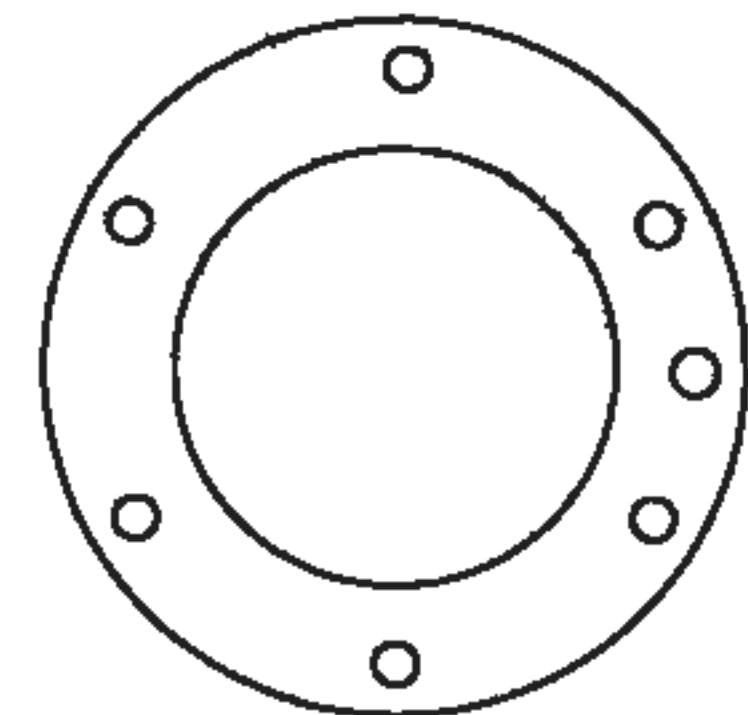
13592



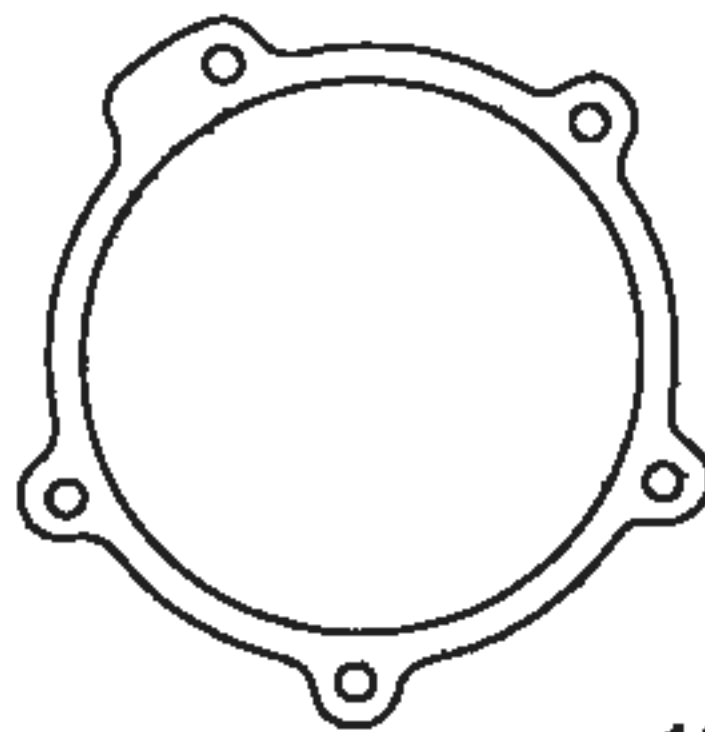
13591



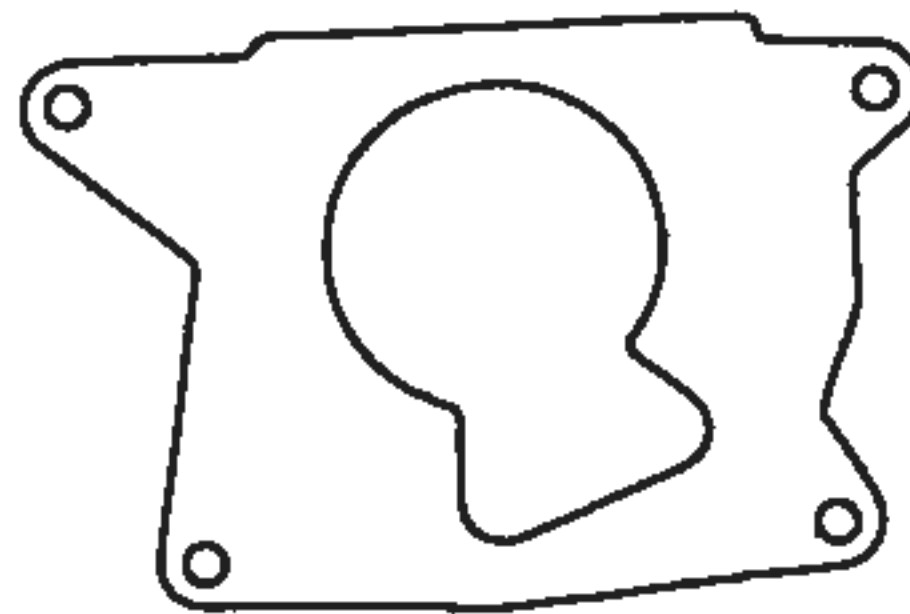
13589



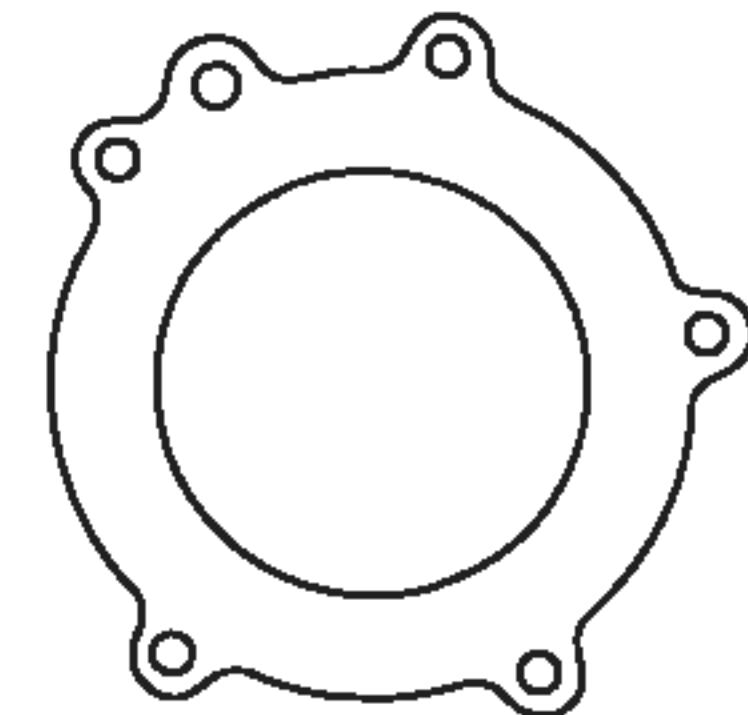
13593



13595

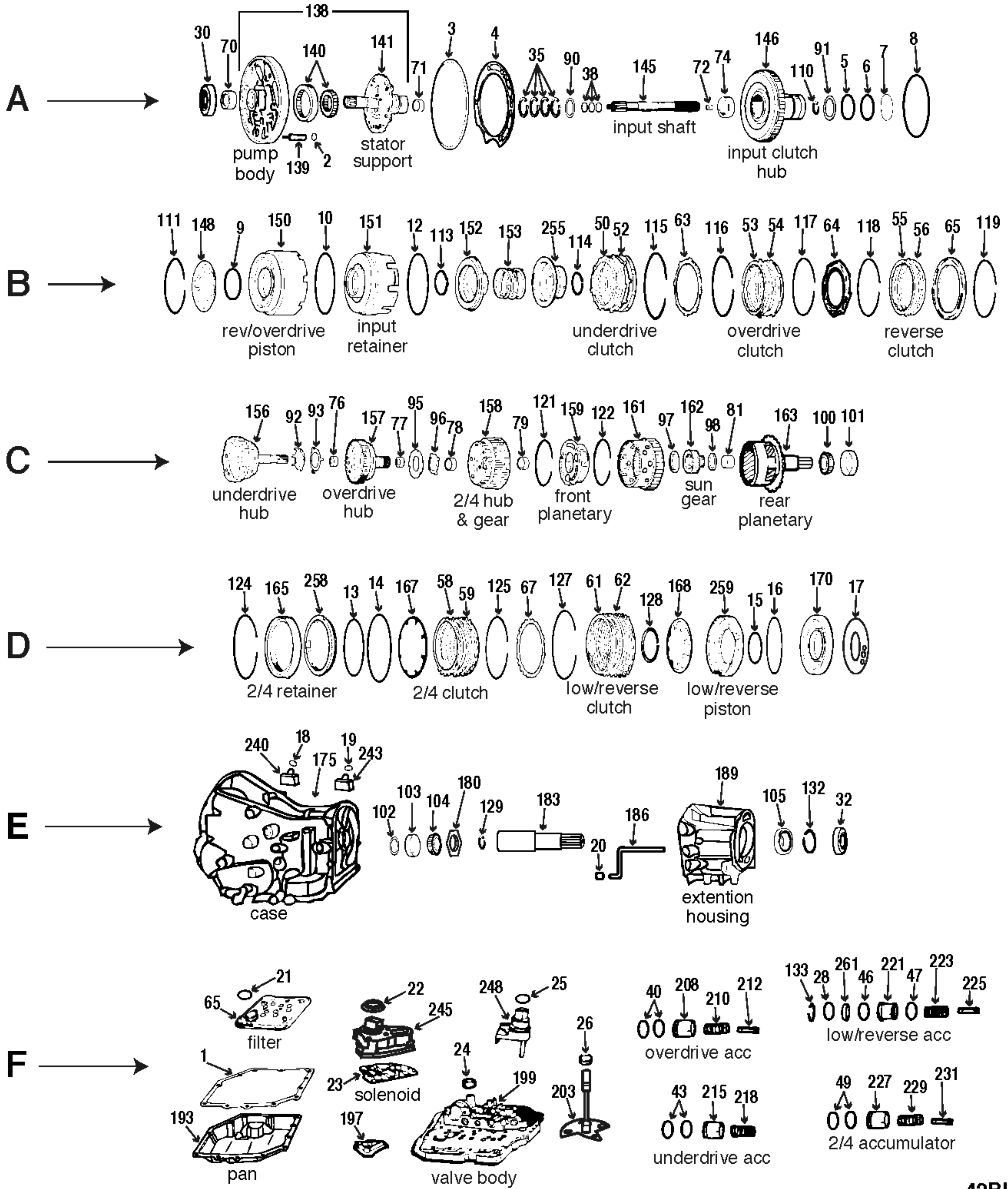


13596



13594

| DESCRIPTION  | Qty | Year    | PART # |
|--|-----|---------|--------|
| <b>TRANSFER CASE ADAPTER GASKETS</b>   |     |         |        |
| Gasket, transfer case adapter NP203 - CHEVROLET/GMC, DODGE                   | 1   | 1969-79 | 13590  |
| Gasket, transfer case adapter NP205 - CHEVROLET/GMC, (w/o TH400) FORD, DODGE | 1   | 1969-Up | 13592  |
| Gasket, transfer case adapter NP205 - CHEVROLET/GMC, (w/TH400)               | 1   | 1979-Up | 13592A |
| Gasket, transfer case adapter NP203/NP205 - FORD (w/direct mounting)         | 1   | 1974-Up | 13591  |
| Gasket, transfer case adapter NP208/NP241 - CHEVROLET/GMC                    | 1   | 1980-Up | 13589  |
| Gasket, transfer case adapter NP208/BW1345/BW1356 - AMC, DODGE, FORD         | 1   | 1980-Up | 13593  |
| Gasket, transfer case adapter NP207/NP231 - CHEVY/GMC "S" SERIES w/TH700-R4  | 1   | 1983-Up | 13595  |
| Gasket, transfer case adapter BW QUADRATRAC - JEEP (except CJ series)        | 1   | 1974-79 | 13596  |
| Gasket, transfer case adapter BW1350 - FORD                                  | 1   | 1980-Up | 13594  |
|  |     |         |        |
|  |     |         |        |
|  |     |         |        |
|  |     |         |        |
|  |     |         |        |
|  |     |         |        |
|  |     |         |        |
|  |     |         |        |



42RLE  
20162-

| ILL                                  | DESCRIPTION                         | QTY | YEAR  | REFERENCE # | PART #      |
|--------------------------------------|-------------------------------------|-----|-------|-------------|-------------|
| <b>TECHNICAL MANUALS</b>             |                                     |     |       |             |             |
| K53                                  | Tech manual A604 dis/assembly       | 1   | 03-10 | 83-604TM    | 010-106     |
| K53                                  | Code book 41TE/42LE                 | 1   | 03-10 | 41TE42LE    | 010-009     |
| <b>REBUILDER KITS</b>                |                                     |     |       |             |             |
| K4                                   | Master deluxe rebuild kit           | 1   | 03-10 | AE          | 20162-10104 |
| K5                                   | Master kit w/steels                 | 1   | 03-10 | AE          | 20162-11104 |
| K6                                   | Master kit w/o steels               | 1   | 03-10 | AE          | 20162-12104 |
| K7                                   | O/H gasket set w/seals-rings        | 1   | 03-10 | DP2434      | 20162-13104 |
| <b>VALVE BODY KITS</b>               |                                     |     |       |             |             |
| K15                                  | Shift Kit® fix limp in/no up shift  | 1   | 03-10 | SK® 604     | K49908A     |
| <b>GASKETS AND RUBBER COMPONENTS</b> |                                     |     |       |             |             |
| F1                                   | Gasket, oil pan                     | 1   | 03-10 | B11375      | 20162-19104 |
| A2                                   | O'ring                              | 1   | 03-10 | B17832      | 13026       |
| A3                                   | Seal, lathe cut                     | 1   | 03-10 | 5205660     | 13721       |
| A4                                   | Gasket                              | 1   | 03-10 | 4412844     | 23398       |
| A5                                   | O'ring .103" (blue)                 | 1   | 03-10 | 6502271     | 23805       |
| A6                                   | O'ring .103" (red)                  | 1   | 03-10 | 6502269     | 23806       |
| A7                                   | O'ring                              | 1   | 03-10 | 4659391     | 23037       |
| A8                                   | Lip seal                            | 1   | 03-10 | 4659056     | 23875       |
| B9                                   | O'ring                              | 1   | 03-10 | 6033158     | 23858       |
| B10                                  | Lip seal                            | 1   | 03-10 | 4659056     | 23875       |
| B12                                  | Lip seal                            | 1   | 03-10 | 4659871     | 23221       |
| D13                                  | D'ring                              | 1   | 03-10 | 4659376     | 23246       |
| D14                                  | D'ring                              | 1   | 03-10 | 4659374     | 23245       |
| D15                                  | D'ring                              | 1   | 03-10 | 4659856     | 23197       |
| D16                                  | D'ring                              | 1   | 03-10 | 4659855     | 23196       |
| D17                                  | Gasket                              | 1   | 03-10 | 4800253AA   | 13028       |
| E18                                  | O'ring                              | 1   | 03-10 | 4799062     | 24078       |
| E19                                  | O'ring                              | 1   | 03-10 | 4799062     | 24078       |
| F21                                  | O'ring                              | 1   | 03-10 | 6032780     | 13007       |
| F22                                  | Gasket (rubber)                     | 1   | 03-10 | B33048      | 24068       |
| F23                                  | Gasket (w/filter screen)            | 1   | 03-10 | 4800171AA   | 20162-29704 |
| F24                                  | Seal                                | 1   | 03-10 | 4412291     | 23506       |
| F25                                  | Seal                                | 1   | 03-10 | 4659676AC   | 13039       |
| F26                                  | Seal                                | 1   | 03-10 | 4412836     | 23500       |
| F28                                  | O'ring                              | 1   | 03-10 | 6501546     | 23025       |
| n/i                                  | Washer                              | 5   | 03-10 | B31496      | 13033       |
| n/i                                  | Seal                                | 1   | 03-10 | 4810021     | 13931       |
| n/i                                  | Kit, shift solenoid block repair    | 1   | 03-10 | FDB-4757    | 20162-27804 |
| <b>METAL CLAD SEALS</b>              |                                     |     |       |             |             |
| A30                                  | Seal, metal clad 2.253"x1.450x.380" | 1   | 03-10 | 4412475     | 12575A      |
| E32                                  | Seal, metal clad (w/boot)           | 1   | 03-10 | 4531216     | 16695C      |
| E32                                  | Seal, metal clad (not in kits)      | 1   | 03-10 | 4269956AB   | 205-19211   |
| <b>SEALING RINGS</b>                 |                                     |     |       |             |             |
| K10                                  | Kit, sealing ring                   | 1   | 03-10 | 3336        | K49950      |
| A35                                  | Ring, sealing (nickel plated)       | 4   | 03-10 | 4471874     | 49800       |
| A38                                  | Ring, sealing (teflon)              | 3   | 03-10 | 4446543     | 49801T      |
| F40                                  | Ring, sealing (teflon)              | 2   | 03-10 | 4446544     | 49802       |
| F43                                  | Ring, sealing (teflon)              | 2   | 03-10 | 4446544     | 49802       |
| F46                                  | Ring, sealing (teflon)              | 1   | 03-10 | 4446544     | 49802       |
| F47                                  | Ring, sealing (teflon)              | 1   | 03-10 | 4446544     | 49802       |
| F49                                  | Ring, sealing (teflon)              | 1   | 03-10 | 4446544     | 49802       |
|                                      |                                     |     |       |             |             |
|                                      |                                     |     |       |             |             |



| ILL                                 | DESCRIPTION  | QTY | YEAR  | REFERENCE # | PART #      |
|-------------------------------------|--|-----|-------|-------------|-------------|
| <b>CLUTCH PLATES</b>                |  |     |       |             |             |
| B50                                 | Steel .067" 4.500" id 8T underdrive                              | 4   | 03-10 | 4659053     | 49104       |
| B52                                 | Friction .071" 5.432" od 28T underdrive                          | 4   | 03-10 | 4659635     | 49105       |
| B53                                 | Friction .071" 5.432" od 28T overdrive                           | 4   | 03-10 | 4659635     | 49105       |
| B54                                 | Steel .067" 4.500" id 8T overdrive                               | 3   | 03-10 | 4659053     | 49104       |
| B55                                 | Friction .071" 5.432" od 28T reverse                             | 2   | 03-10 | 4659635     | 49105       |
| B56                                 | Steel .067" 4.500" id 8T reverse                                 | 2   | 03-10 | 4659053     | 49104       |
| D58                                 | Friction .086" 6.065" od 31T 2/4 clutch                          | 4   | 03-10 | 4567212     | 49107       |
| D59                                 | Steel .101" 5.250" id 14T 2/4 clutch                             | 4   | 03-10 | 4659054     | 49106       |
| D61                                 | Friction .072" 6.063" od 32T low/reverse clutch                  | 5   | 03-10 | 4377134     | 49103       |
| D62                                 | Steel .067" 5.250" id 14T low/reverse clutch                     | 5   | 03-10 | 4659055     | 49100       |
| <b>PRESSURE PLATES</b>              |  |     |       |             |             |
| K21                                 | Kit, pressure plate .217" w/snap ring underdrive clutch          | 1   | 03-10 | 4723684     | K49185      |
| K21                                 | Kit, pressure plate .236" w/snap ring underdrive clutch          | 1   | 03-10 | 4723683     | K49185A     |
| K21                                 | Kit, pressure plate .255" w/snap ring underdrive clutch          | 1   | 03-10 | 4723682     | K49185B     |
| K21                                 | Kit, pressure plate .275" w/snap ring underdrive clutch          | 1   | 03-10 | 4723681     | K49185C     |
| B63                                 | Pressure plate .217" w/o snap ring underdrive clutch             | 1   | 03-10 | AE          | 49185-R     |
| B63                                 | Pressure plate .236" w/o snap ring underdrive clutch             | 1   | 03-10 | AE          | 49185A-R    |
| B63                                 | Pressure plate .255" w/o snap ring underdrive clutch             | 1   | 03-10 | AE          | 49185B-R    |
| B63                                 | Pressure plate .275" w/o snap ring underdrive clutch             | 1   | 03-10 | AE          | 49185C-R    |
| B64                                 | Pressure plate (8 lug) overdrive clutch                          | 1   | 03-10 | AE          | 49191-R     |
| B64                                 | Pressure plate (4 lug) overdrive clutch                          | 1   | 03-10 | AE          | 49191A-R    |
| D67                                 | Pressure plate low/reverse clutch                                | 1   | 03-10 | AE          | 49265-R     |
| B65                                 | Pressure plate reverse clutch                                    | 1   | 03-10 | AE          | 49194-R     |
| <b>FILTERS</b>                      |  |     |       |             |             |
| K9                                  | Kit, filter 42RLE  | 1   | 03-10 | AE          | 20162-44104 |
| F65                                 | Filter 42RLE   | 1   | 03-10 | 52852913AB  | 20162-45104 |
| n/i                                 | Screen, filter 42RLE   | 1   | 03-10 | 3878313     | 48713       |
| n/i                                 | Screen, filter 42RLE   | 1   | 03-10 | 4531903     | 48714       |
| <b>BUSHINGS</b>                     |  |     |       |             |             |
| K13                                 | Kit, bushing 42RLE   | 1   | 03-10 | AE          | K49905A     |
| A70                                 | Bushing (babbit) 38.113mm bore 42RLE                             | 1   | 03-10 | 2204953     | 12502       |
| A70                                 | Bushing (bronze) 42RLE   | 1   | 03-10 | 2466796B    | 12502A      |
| A72                                 | Bushing .603" od input shaft                                     | 1   | 03-10 | 4212211AB   | 49002A      |
| A74                                 | Bushing input clutch hub   | 1   | 03-10 | 4377570     | 49003       |
| C76                                 | Bushing front overdrive clutch hub                               | 1   | 03-10 | 4659617     | 49004A      |
| C77                                 | Bushing rear overdrive clutch hub                                | 1   | 03-10 | 4659617     | 49004A      |
| C78                                 | Bushing front 2nd/4th clutch hub                                 | 1   | 03-10 | 4659619     | 49005A      |
| C79                                 | Bushing rear 2nd/4th clutch hub                                  | 1   | 03-10 | 4659619     | 49005A      |
| C81                                 | Bushing rear planetary   | 1   | 03-10 | 4412230     | 49006       |
| n/i                                 | Bushing, extension housing rear extension housing (2WD)          | 1   | 03-10 | 2801724     | 6023        |
| <b>WASHERS/BEARINGS/RACES/SHIMS</b> |  |     |       |             |             |
| K12                                 | Kit, thrust bearing 42RLE  | 1   | 03-10 | AE          | K49906      |
| K14                                 | Kit, thrust washer w/popular selectives (no races)               | 1   | 03-10 | AE          | K49600      |
| A90                                 | Bearing, thrust stator to input clutch hub                       | 1   | 03-10 | 4412209     | 49633       |
| A91                                 | Bearing, thrust input clutch hub to underdrive hub               | 1   | 03-10 | 4567262     | 49635       |
| C92                                 | Thrust washer (5 tabs) underdrive clutch hub to race             | 1   | 03-10 | 4471855     | 49625       |
| C93                                 | Race (3 tabs) thrust washer to overdrive hub                     | 1   | 03-10 | 4431973     | 49621       |
| C95                                 | Race .093-1.00mm (3 slots) overdrive clutch hub to thrust washer | sel | 03-10 | 4331662     | 49622       |
| C95                                 | Race 1.37-1.44mm (3 slots) overdrive clutch hub to thrust washer | sel | 03-10 | 4431664     | 49622A      |
| C95                                 | Race 1.81-1.88mm (3 slots) overdrive clutch hub to thrust washer | sel | 03-10 | 4431666     | 49622B      |
| C95                                 | Race 2.25-2.32mm (3 slots) overdrive clutch hub to thrust washer | sel | 03-10 | 4431668     | 49622C      |
| C95                                 | Race 2.47-2.54mm (3 slots) overdrive clutch hub to thrust washer | sel | 03-10 | 4431669     | 49622D      |
| C95                                 | Race 2.91-2.98mm (3 slots) overdrive clutch hub to thrust washer | sel | 03-10 | 4431671     | 49622E      |

| ILL   | DESCRIPTION                            | QTY                                      | YEAR | REFERENCE # | PART #     |             |
|---|--|--|------|-------------|------------|-------------|
| <b>WASHERS/BEARINGS/RACES/SHIMS (CONTINUED)</b> |  |  |      |             |            |             |
| C95   | Race 3.25-3.42mm (3 slots)             | overdrive clutch hub to thrust washer    | sel  | 03-10       | 4446601    | 49622F      |
| C96   | Thrust washer (4 tabs)                 | race to 2nd/4th clutch hub               | 1    | 03-10       | 4412216    | 49627       |
| C97   | Bearing, thrust                        | front planetary to rear sun gear         | 1    | 03-10       | 4412229AB  | 49638       |
| C98   | Bearing, thrust                        | rear sun gear to rear planetary          | 1    | 03-10       | 4567262    | 49635       |
| C100  | Bearing, tapered (cone) 36mm id        | rear planetary                           | 1    | 02-10       | 4504013    | 48761       |
| C101  | Race, tapered (cup)                    | rear planetary                           | 1    | 03-10       | 4446689    | 48762       |
| E103  | Race, tapered (cup)                    | rear output                              | 1    | 03-10       | 4504043    | 49763       |
| E104  | Bearing, tapered (cone)                | rear output                              | 1    | 03-10       | 4504044    | 49764       |
| <b>SNAP RINGS</b>                               |  |  |      |             |            |             |
| A110  | Snap ring .061" 1.030" od (round wire) | input shaft in input clutch hub          | 1    | 03-10       | 6501702    | 49321       |
| B111  | Snap ring .060" 5.326" od              | reverse/overdrive piston                 | 1    | 03-10       | 4412203    | 49322       |
| B113  | Snap ring .095" 2.594" od (tru-ark)    | input retainer                           | 1    | 03-10       | 6507226AA  | 49323       |
| B114  | Snap ring .077" 2.285" od (tru-ark)    | underdrive retainer                      | 1    | 03-10       | 6501715    | 49324       |
| B115  | Snap ring .060" 5.956" od              | underdrive pressure plate (bottom)       | 1    | 03-10       | 4412307    | 49310C      |
| B116  | Snap ring .070" (tapered/red)          | underdrive pressure plate (top)          | sel  | 03-10       | 4377189    | 49310       |
| B116  | Snap ring .065" 6.875" od waved (blue) | underdrive pressure plate (tapered)(top) | sel  | 03-10       | 4531411    | 49310A      |
| B116  | Snap ring .075" 6.330" od (turquoise)  | underdrive pressure plate (tapered)(top) | sel  | 03-10       | 4567602    | 49310B      |
| B117  | Snap ring .061" 6.875" od              | overdrive clutch                         | 1    | 03-10       | 6505621    | 49326       |
| B118  | Snap ring .069"                        | reverse clutch                           | 1    | 03-10       | 4531411    | 49327       |
| B119  | Snap ring .090" 4.720" od              | reverse clutch                           | 1    | 03-10       | 4412873    | 49328       |
| C121  | Snap ring .062" 4.719" od              | front planetary                          | 1    | 03-10       | 6035238    | 49332       |
| C122  | Snap ring .062" 4.719" od              | front planetary                          | 1    | 03-10       | 6035238    | 49332       |
| D124  | Snap ring .061" 7.010" od              | 2/4 retainer                             | 1    | 03-10       | 4505591    | 49329       |
| D125  | Snap ring .068" 7.010" od              | 2/4 clutch                               | 1    | 03-10       | 4799858AA  | 49330       |
| D127  | Snap ring .040"                        | 2/4 pressure plate                       | 1    | 03-10       | 4412395    | 49331       |
| D128  | Snap ring .090" 3.487" od              | low/reverse retainer                     | 1    | 03-10       | 4412873    | 49334       |
| E129  | Snap ring .139" 1.085" od              | rear planetary to output shaft           | 1    | 03-10       | 52852916AA | 20162-66004 |
| n/i   | Kit, snap ring                         | 8-pieces                                 | 1    | 03-10       | 77681A     | K49321A     |
| <b>PUMP PARTS AND PUMPS</b>                     |  |  |      |             |            |             |
| A138  | Pump assembly (4 ring)                 | 42RLE                                    | 1    | 03-10       | AE         | 49200B-R    |
| A140  | Gear set .495"                         | 42RLE                                    | 1    | 03-10       | AE         | K49201A     |
| A141  | Stator (4 ring)                        | 42RLE                                    | 1    | 03-10       | AE         | 49301-R     |
| <b>HARD PARTS</b>                               |  |  |      |             |            |             |
| A145  | Shaft, input (22 splines)              | 42RLE                                    | 1    | 03-10       | 4649223    | 49752-R     |
| A145  | Shaft, input (10.975" length)          | 42RLE                                    | 1    | 03-10       | AE         | 20162-73103 |
| A146  | Hub, input clutch                      | 42RLE                                    | 1    | 03-10       | 4531637    | 49701-R     |
| B148  | Spring, diaphragm                      | overdrive/reverse clutch                 | 1    | 03-10       | 4412202    | 49745-R     |
| B150  | Piston (4 slots)                       | reverse/overdrive                        | 1    | 03-10       | 4531910    | 49732-R     |
| B151  | Retainer, input clutch                 | 42RLE                                    | 1    | 03-10       | 4505623    | 49726-R     |
| B152  | Piston, underdrive .550"               | 42RLE                                    | 1    | 03-10       | 4431611    | 49739       |
| C156  | Hub, w/shaft                           | underdrive clutch                        | 1    | 03-10       | 4431615    | 49727-R     |
| C157  | Hub, w/shaft 1.162" shaft diameter     | overdrive clutch                         | 1    | 03-10       | 4659615    | 49728A      |
| C157  | Hub, w/shaft 1.162" shaft diameter     | overdrive clutch                         | 1    | 03-10       | AE         | 49728A-R    |
| C158  | Hub, w/gear 1.164" inside bushing      | 2nd/4th clutch                           | 1    | 03-10       | 4659618    | 49729A      |
| C158  | Hub, w/gear 1.164" inside bushing      | 2nd/4th clutch                           | 1    | 03-10       | AE         | 49729A-R    |
| C159  | Planetary, front                       | 42RLE                                    | 1    | 03-10       | 4567539    | 49735       |
| C159  | Planetary, front                       | 42RLE                                    | 1    | 03-10       | AE         | 49735-R     |
| C161  | Gear, ring                             | rear                                     | 1    | 03-10       | 4377082    | 49730-R     |
| C162  | Sun gear                               | rear                                     | 1    | 03-10       | 4377080    | 49737       |
| C162  | Sun gear                               | rear                                     | 1    | 03-10       | AE         | 49737-R     |
| C163  | Planetary, rear (5 pinion gears)       | 42RLE                                    | 1    | 03-10       | 4883273    | 49736E      |
| C163  | Planetary, rear (5 pinion gears)       | 42RLE                                    | 1    | 03-10       | AE         | 49736E-R    |
| D165  | Retainer, .955" 6.500" od              | 2/4 clutch piston                        | 1    | 03-10       | AE         | 20162-74903 |

# 42RLE

42RLE

| ILL                           | DESCRIPTION                            |                                     | QTY | YEAR  | REFERENCE # | PART #      |
|-------------------------------|--|-------------------------------------|-----|-------|-------------|-------------|
| <b>HARD PARTS (CONTINUED)</b> |  |                                     |     |       |             |             |
| D167                          | Spring, diaphragm                      | 2/4 clutch return                   | 1   | 03-10 | 4412248     | 49746-R     |
| D168                          | Spring, diaphragm                      | low/reverse clutch return           | 1   | 03-10 | 4412261     | 49747-R     |
| D170                          | Retainer, piston (w/o bleed hole)      | 42RLE (low/reverse clutch)          | 1   | 03-10 | 4431648     | 49733       |
| D170                          | Retainer, piston (w/bleed hole)        | 42RLE (low/reverse clutch)          | 1   | 03-10 | 4800255AA   | 49733A      |
| E175                          | Case, assembly (double starters)       | 42RLE                               | 1   | 03-10 | AE          | 20162-78003 |
| E183                          | Shaft, rear output 7.125" length (4x4) | 42RLE                               | 1   | 03-10 | AE          | 20162-78503 |
| E183                          | Shaft, rear output (2x4)               | 42RLE                               | 1   | 03-10 | AE          | 20162-78603 |
| E189                          | Housing, rear extension (4x4)          | 42RLE                               | 1   | 03-10 | 52854195AB  | 20162-79103 |
| E189                          | Housing, rear extension (2x4)          | 42RLE                               | 1   | 03-10 | AE          | 20162-79204 |
| F193                          | Pan, bottom                            | 42RLE                               | 1   | 03-10 | AE          | 20162-80103 |
| F199                          | Valve body (w/o solenoid pack)         | 42RLE                               | 1   | 03-10 | AE          | 20162-81103 |
| n/i                           | Bolt                                   | low/reverse retainer                | 3   | 03-08 | 6501819     | 49734       |
| <b>ELECTRICAL COMPONENTS</b>  |  |                                     |     |       |             |             |
| E240                          | Sensor                                 | 42RLE (input speed)                 | 1   | 03-10 | 4799061AB   | 5A-298      |
| E243                          | Sensor                                 | 42RLE (output speed)                | 1   | 03-10 | 50-1144     | 20162-85300 |
| F245                          | Solenoid, block assembly               | 42RLE                               | 1   | 03-10 | 5143151AA   | 20162-86000 |
| F245                          | Solenoid, block assembly               | 42RLE (exchange required)           | 1   | 03-10 | AE          | 20162-86003 |
| n/i                           | Connector,with internal harness        | line pressure solenoid & transducer | 1   | 07-10 | 5078341AA   | 5A-305      |
| n/i                           | Solenoid, line pressure                | 42RLE                               | 1   | 07-10 | 5078335AA   | 5A-306      |
| n/i                           | Sensor, line pressure transducer       | 42RLE                               | 1   | 07-10 | 5078336AA   | 5A-307      |
| n/i                           | Harness repair, external line pressure | 42RLE 8 wire                        | 1   | 07-10 | 68032364AA  | 5A-308      |
| <b>BONDED PISTONS</b>         |  |                                     |     |       |             |             |
| D258                          | Piston, bonded rubber                  | 42RLE (2/4 clutch)                  | 1   | 03-10 | 4800257AA   | 49531       |
| D259                          | Piston, bonded rubber                  | 42RLE (low/reverse clutch)          | 1   | 03-10 | 4800261AA   | 20162-96300 |
| F261                          | Cover, piston (bonded rubber)          | 42RLE (low/reverse accumulator)     | 1   | 03-10 | n/a         | 49534       |
| <b>NOTES</b>                  |  |                                     |     |       |             |             |
|                               |  |                                     |     |       |             |             |
|                               |  |                                     |     |       |             |             |
|                               |  |                                     |     |       |             |             |
|                               |  |                                     |     |       |             |             |
|                               |  |                                     |     |       |             |             |
|                               |  |                                     |     |       |             |             |
|                               |  |                                     |     |       |             |             |
|                               |  |                                     |     |       |             |             |
|                               |  |                                     |     |       |             |             |
|                               |  |                                     |     |       |             |             |
|                               |  |                                     |     |       |             |             |
|                               |  |                                     |     |       |             |             |
|                               |  |                                     |     |       |             |             |
|                               |  |                                     |     |       |             |             |
|                               |  |                                     |     |       |             |             |
|                               |  |                                     |     |       |             |             |
|                               |  |                                     |     |       |             |             |
|                               |  |                                     |     |       |             |             |
|                               |  |                                     |     |       |             |             |
|                               |  |                                     |     |       |             |             |
|                               |  |                                     |     |       |             |             |
|                               |  |                                     |     |       |             |             |
|                               |  |                                     |     |       |             |             |
|                               |  |                                     |     |       |             |             |
|                               |  |                                     |     |       |             |             |
|                               |  |                                     |     |       |             |             |
|                               |  |                                     |     |       |             |             |
|                               |  |                                     |     |       |             |             |
|                               |  |                                     |     |       |             |             |

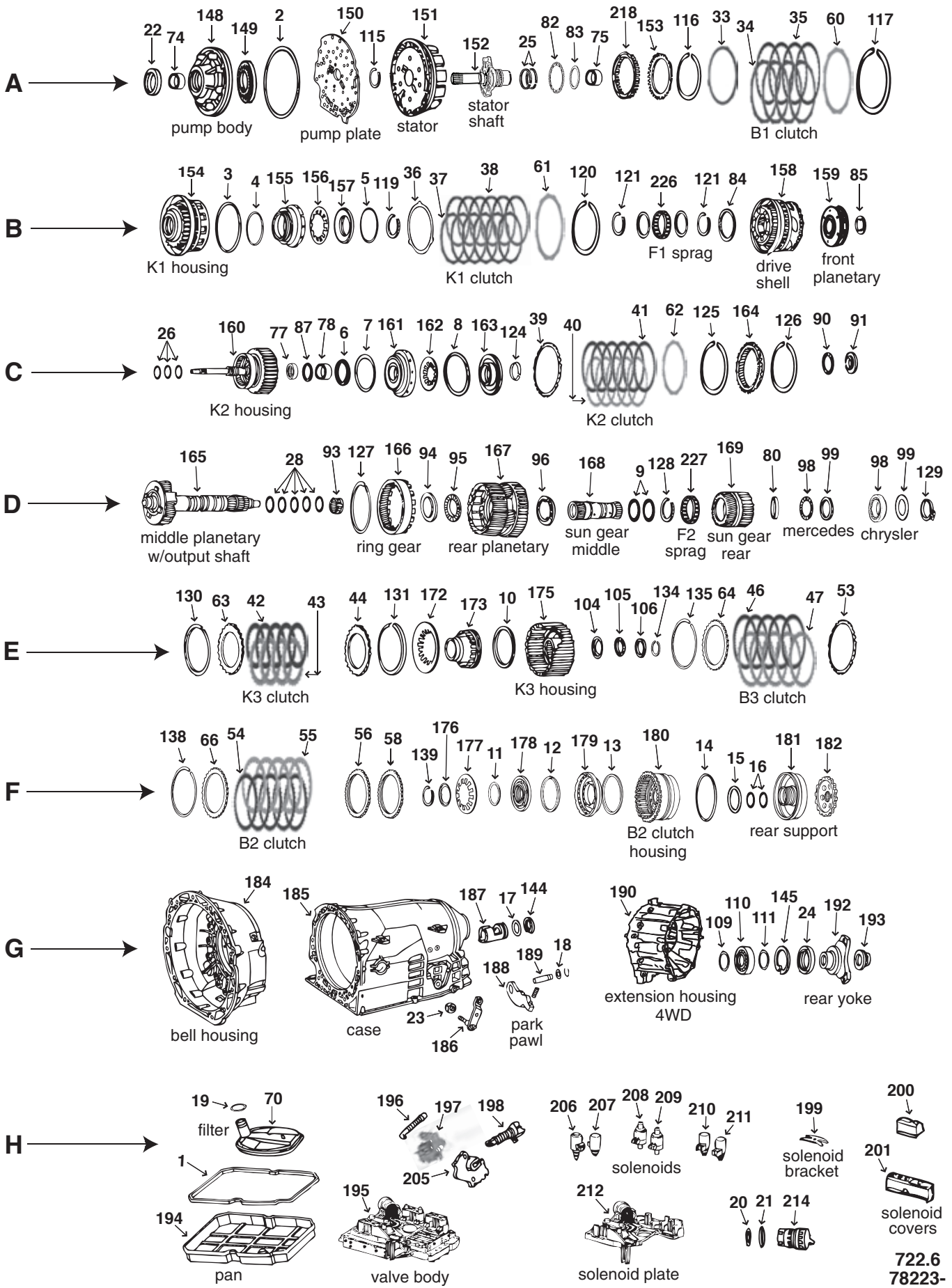
## ENGINE CONVERSION CHART

| CU. IN. | LITRE | CYL. | CU. IN. | LITRE | CYL.  | CU. IN. | LITRE | CYL. |
|---------|-------|------|---------|-------|-------|---------|-------|------|
| 61      | 1.0L  | 3    | 204     | 3.3L  | L6    | 350     | 5.7L  | V8   |
| 67      | 1.1L  | 4    | 207     | 3.4L  | V6    | 351     | 5.8L  | V8   |
| 73      | 1.2L  | 4    | 215     | 3.5L  | L6    | 352     | 5.8L  | V8   |
| 85      | 1.4L  | 4    | 221     | 3.6L  | V6    | 354     | 5.8L  | V8   |
| 92      | 1.5L  | 4    | 223     | 3.7L  | L6    | 359     | 5.9L  | V8   |
| 96      | 1.5L  | 4    | 225     | 3.7L  | L6    | 360     | 5.9L  | 6/V8 |
| 97      | 1.6L  | 4    | 229     | 3.8L  | V6    | 361     | 5.9L  | V8   |
| 98      | 1.6L  | 4    | 230     | 3.8L  | V6    | 366     | 6.0L  | V8   |
| 104     | 1.7L  | 4    | 231     | 3.8L  | V6    | 368     | 6.0L  | V8   |
| 105     | 1.7L  | 4    | 232     | 3.8L  | V6    | 370     | 6.1L  | V8   |
| 107     | 1.8L  | 4    | 239     | 3.9L  | 6/V6  | 379     | 6.2L  | V8   |
| 109     | 1.8L  | 4    | 240     | 3.9L  | L6    | 381     | 6.2L  | V8   |
| 110     | 1.8L  | 4    | 241     | 4.0L  | V8    | 383     | 6.3L  | V8   |
| 112     | 1.8L  | 4    | 242     | 4.0L  | L6    | 389     | 6.4L  | V8   |
| 116     | 1.9L  | 4    | 243     | 4.0L  | L6    | 390     | 6.4L  | V8   |
| 119     | 1.9L  | 4    | 245     | 4.0L  | V6    | 391     | 6.4L  | V8   |
| 121     | 2.0L  | 4    | 250     | 4.1L  | 6/V6  | 392     | 6.4L  | V8   |
| 122     | 2.0L  | 4    | 252     | 4.1L  | L6    | 394     | 6.5L  | V8   |
| 126     | 2.1L  | 4    | 255     | 4.2L  | V8    | 396     | 6.5L  | V8   |
| 132     | 2.2L  | 4    | 256     | 4.2L  | V8    | 400     | 6.6L  | V8   |
| 133     | 2.2L  | 4    | 258     | 4.2L  | L6    | 401     | 6.6L  | V8   |
| 134     | 2.2L  | 4    | 260     | 4.3L  | V6/V8 | 402     | 6.6L  | V8   |
| 135     | 2.2L  | 4    | 262     | 4.3L  | 6/V8  | 403     | 6.6L  | V8   |
| 138     | 2.3L  | 4    | 265     | 4.3L  | V8    | 406     | 6.7L  | V8   |
| 140     | 2.3L  | 4    | 267     | 4.4L  | V8    | 408     | 6.7L  | V8   |
| 144     | 2.4L  | L6   | 270     | 4.4L  | V6    | 410     | 6.7L  | V8   |
| 146     | 2.4L  | L6   | 273     | 4.5L  | V8    | 413     | 6.8L  | V8   |
| 150     | 2.5L  | 4    | 280     | 4.6L  | V8    | 420     | 6.9L  | V8   |
| 151     | 2.5L  | 4    | 283     | 4.6L  | V8    | 421     | 6.9L  | V8   |
| 153     | 2.5L  | 4    | 289     | 4.7L  | V8    | 425     | 7.0L  | V8   |
| 156     | 2.6L  | 4    | 292     | 4.8L  | L6    | 426     | 7.0L  | V8   |
| 159     | 2.6L  | 4    | 300     | 4.9L  | 6/V8  | 427     | 7.0L  | V8   |
| 170     | 2.8L  | L6   | 301     | 4.9L  | V8    | 428     | 7.0L  | V8   |
| 171     | 2.8L  | V6   | 302     | 5.0L  | V8    | 429     | 7.0L  | V8   |
| 173     | 2.8L  | V6   | 304     | 5.0L  | V8    | 430     | 7.0L  | V8   |
| 177     | 2.9L  | L6   | 305     | 5.0L  | V8    | 432     | 7.1L  | V8   |
| 179     | 2.9L  | V6   | 307     | 5.0L  | V8    | 440     | 7.2L  | V8   |
| 181     | 3.0L  | V6   | 312     | 5.1L  | V8    | 446     | 7.3L  | V8   |
| 183     | 3.0L  | L6   | 318     | 5.2L  | V8    | 454     | 7.4L  | V8   |
| 189     | 3.1L  | L6   | 326     | 5.3L  | V8    | 455     | 7.5L  | V8   |
| 190     | 3.1L  | L6   | 327     | 5.3L  | V8    | 460     | 7.5L  | V8   |
| 194     | 3.2L  | L6   | 330     | 5.4L  | V8    | 472     | 7.7L  | V8   |
| 195     | 3.2L  | V6   | 331     | 5.4L  | V8    | 475     | 7.8L  | V8   |
| 196     | 3.2L  | V6   | 332     | 5.4L  | V8    | 477     | 7.8L  | V8   |
| 198     | 3.2L  | L6   | 340     | 5.6L  | V8    | 500     | 8.2L  | V8   |
| 200     | 3.3L  | 6/V6 | 341     | 5.6L  | V8    |         |       |      |
| 201     | 3.3L  | L6   | 348     | 5.7L  | V8    |         |       |      |

NOTE: For any engine not listed above, use the following multipliers for proper conversion:

CC to CU. IN. - Multiply by .061995  
 CU. IN. to CC - Multiply by 16.38703  
 CU. IN. to LITERS - Multiply by .016395  
 LITERS to CU. IN. - Multiply by 61.025





722.6  
78223-

| ILL                                  | DESCRIPTION                    | QTY | YEAR  | REFERENCE #  | PART #      |
|--------------------------------------|--------------------------------|-----|-------|--------------|-------------|
| <b>TECHNICAL MANUALS</b>             |                                |     |       |              |             |
| K53                                  | Tech manual 722.6 dis/assembly | 1   | 98-10 | 722.6 update | 010-477     |
| K53                                  | Update handbook 772.6          | 1   | 98-10 | 722.6 manual | 010-478     |
| K53                                  | Video/manual 722.6             | 1   | 98-10 | 722.6 video  | 010-855     |
| <b>REBUILDER KITS</b>                |                                |     |       |              |             |
| K4                                   | Master deluxe rebuilding kit   | 1   | 96-97 | AE           | 78223-10004 |
| K4                                   | Master deluxe rebuilding kit   | 1   | 96-97 | AE           | 78223-10104 |
| K4                                   | Master deluxe rebuilding kit   | 1   | 98-01 | AE           | 78223-10014 |
| K4                                   | Master deluxe rebuilding kit   | 1   | 98-01 | AE           | 78223-10114 |
| K4                                   | Master deluxe rebuilding kit   | 1   | 02-10 | AE           | 78223-10024 |
| K4                                   | Master deluxe rebuilding kit   | 1   | 02-10 | AE           | 78223-10124 |
| K4                                   | Master deluxe rebuilding kit   | 1   | 04-10 | AE           | 20223-10204 |
| K4                                   | Master deluxe rebuilding kit   | 1   | 04-10 | AE           | 20223-10304 |
| K5                                   | Master kit w/steels            | 1   | 96-97 | 141901       | 78223-11004 |
| K5                                   | Master kit w/steels            | 1   | 96-97 | AE           | 78223-11104 |
| K5                                   | Master kit w/steels            | 1   | 98-01 | 141901A      | 78223-11014 |
| K5                                   | Master kit w/steels            | 1   | 98-01 | AE           | 78223-11114 |
| K5                                   | Master kit w/steels            | 1   | 02-10 | 141901B      | 78223-11024 |
| K5                                   | Master kit w/steels            | 1   | 02-10 | AE           | 78223-11124 |
| K5                                   | Master kit w/steels            | 1   | 04-10 | 141901C      | 20223-11204 |
| K5                                   | Master kit w/steels            | 1   | 04-10 | AE           | 20223-11304 |
| K6                                   | Master kit w/o steels          | 1   | 96-97 | 141901LS     | 78223-12004 |
| K6                                   | Master kit w/o steels          | 1   | 96-97 | AE           | 78223-12104 |
| K6                                   | Master kit w/o steels          | 1   | 98-01 | 141901ALS    | 78223-12014 |
| K6                                   | Master kit w/o steels          | 1   | 98-01 | AE           | 78223-12114 |
| K6                                   | Master kit w/o steels          | 1   | 02-10 | 141901BLS    | 78223-12024 |
| K6                                   | Master kit w/o steels          | 1   | 02-10 | AE           | 78223-12124 |
| K6                                   | Master kit w/o steels          | 1   | 04-10 | 141901CLS    | 20223-12204 |
| K6                                   | Master kit w/o steels          | 1   | 04-10 | AE           | 20223-12304 |
| K7                                   | O/H gasket set w/seals-rings   | 1   | 97-10 | 2415         | 78223-13004 |
| K7                                   | O/H gasket set w/seals-rings   | 1   | 97-10 | 2411         | 78223-13104 |
| <b>VALVE BODY KITS</b>               |                                |     |       |              |             |
| K15                                  | Shift Kit®                     | 1   | 97-08 | SK® 722.6    | 78223-17009 |
| <b>GASKETS AND RUBBER COMPONENTS</b> |                                |     |       |              |             |
| H1                                   | Gasket, oil pan                | 1   | 97-10 | 140-271-0081 | 78223-20004 |
| A2                                   | O'ring                         | 1   | 97-10 | n/a          | 78223-21004 |
| B3                                   | Seal, lathe cut                | 1   | 97-10 | n/a          | 78223-24604 |
| B4                                   | Seal, lathe cut                | 1   | 97-10 | n/a          | 78223-24704 |
| B5                                   | O'ring                         | 1   | 97-10 | n/a          | 78223-21104 |
| C6                                   | Seal, lathe cut                | 1   | 97-10 | n/a          | 78223-24804 |
| C7                                   | O'ring                         | 1   | 97-10 | n/a          | 78223-21304 |
| C8                                   | O'ring                         | 1   | 97-10 | n/a          | 78223-21404 |
| D9                                   | O'ring                         | 2   | 97-10 | n/a          | 78223-21504 |
| E10                                  | Seal, lathe cut                | 1   | 97-10 | n/a          | 78223-25004 |
| F11                                  | Seal, lathe cut                | 1   | 97-10 | n/a          | 78223-25104 |
| F12                                  | Seal, lathe cut                | 1   | 97-10 | n/a          | 78223-25204 |
| F13                                  | Seal, lathe cut                | 1   | 97-10 | n/a          | 78223-25304 |
| F14                                  | Seal, lathe cut                | 1   | 97-10 | n/a          | 78223-25404 |
| F15                                  | Seal, lathe cut                | 1   | 97-10 | n/a          | 78223-25504 |
| F16                                  | O'ring                         | 1   | 97-10 | n/a          | 78223-21704 |
| G17                                  | O'ring                         | 2   | 97-10 | 140-997-2345 | 78223-22004 |
| G18                                  | O'ring                         | 1   | 97-10 | n/a          | 78223-22204 |
| H19                                  | O'ring                         | 1   | 97-10 | n/a          | 78223-22504 |
| H20                                  | O'ring                         | 1   | 97-10 | 026-997-4048 | 78223-22704 |

# 722.6•W5A580•W5A330

722.6•W5A580•W5A330

| ILL  | DESCRIPTION  | QTY | YEAR  | REFERENCE #   | PART #      |
|--|--|-----|-------|---------------|-------------|
| <b>GASKETS AND RUBBER COMPONENTS (CONTINUED)</b> |  |     |       |               |             |
| H21  | O'ring 722.6 (connector outer large)   | 1   | 97-10 | 026-997-4148  | 78223-22904 |
| n/i  | O'ring 722.6 (filler tube)   | 1   | 97-10 | n/a           | 78223-23504 |
| n/i  | Boot 722.6 (dipstick tube to case)   | 1   | 97-10 | n/a           | 78223-24004 |
| <b>METAL CLAD SEALS</b>                          |  |     |       |               |             |
| A22  | Seal, metal clad 722.6 (front)   | 1   | 96-10 | 010-997-49-47 | 55206       |
| G23  | Seal, metal clad 722.6 (manual lever shaft)                                  | 1   | 96-10 | 006-997-01-47 | 55210       |
| G24  | Seal, metal clad 722.6 (extension housing)                                   | 1   | 96-10 | 140-997-08-46 | 78223-30104 |
| <b>SEALING RINGS</b>                             |  |     |       |               |             |
| K10  | Kit, sealing ring 722.6 (teflon)   | 1   | 96-10 | FDB3458       | 78223-31500 |
| A25  | Ring, sealing (teflon) .077" 2.295" od 722.6 (stator support)                | 2   | 97-10 | n/a           | 78223-33204 |
| C26  | Ring, sealing (plastic) .092" 1.212" od 722.6 (input shaft K-2 housing)      | 3   | 97-10 | n/a           | 78223-33500 |
| D27  | Ring, sealing (plastic) 722.6 (output shaft/middle planetary)                | 1   | 97-10 | n/a           | 78223-33604 |
| D28  | Ring, sealing (plastic) .092" 1.375"od 722.6 (output shaft/middle planetary) | 4   | 97-10 | n/a           | 78223-33804 |
| <b>CLUTCH PLATES</b>                             |  |     |       |               |             |
| A33  | Steel, dished 6.069" id 3T 722.6 (B1 clutch cushion)                         | 1   | 96-10 | n/a           | 78223-37603 |
| A34  | Steel .071" 6.065" id 12T 722.6 (B1 clutch)                                  | 1   | 96-10 | 140-272-0226  | 78223-37804 |
| A34  | Steel .110" 6.065" id 12T 722.6 (B1 clutch)                                  | 3   | 02-10 | 140-272-2825  | 78223-38004 |
| A34  | Steel .138" 6.065" id 12T 722.6 (B1 clutch)                                  | 2/3 | 96-01 | 140-272-0326  | 78223-38104 |
| A34  | Steel .154" 6.065" id 12T 722.6 (B1 clutch)                                  | 1   | 96-10 | 140-272-0426  | 78223-38204 |
| A35  | Friction .084" 6.796" od 30T 722.6 (B1 clutch)                               | 3/4 | 96-01 | 140-272-0025  | 78223-35104 |
| A35  | Friction .081" 6.796" od 30 internal teeth W5A330 (B1 clutch)                | 5   | 04-10 | 52108507AA    | 20223-35304 |
| A35  | Friction .081" 6.065" id 12 external teeth W5A330 (B1 clutch)                | 5   | 04-10 | 52108508AA    | 20223-35404 |
| B36  | Steel, dished 6.069" id 3T 722.6 (K1 clutch cushion)                         | 1   | 96-10 | n/a           | 78223-37603 |
| B37  | Steel .071" 6.065" id 12T 722.6 (K1 clutch)                                  | 1   | 96-10 | 140-272-0226  | 78223-37804 |
| B37  | Steel .110" 6.065" id 12T 722.6 (K1 clutch)                                  | 5   | 02-10 | 140-272-2826  | 78223-38004 |
| B37  | Steel .138" 6.065" id 12T 722.6 (K1 clutch)                                  | 3/5 | 96-01 | 140-272-0326  | 78223-38104 |
| B37  | Steel .154" 6.065" id 12T 722.6 (K1 clutch)                                  | 1   | 96-10 | 140-272-0426  | 78223-38204 |
| B38  | Friction .084" 6.796" od 30T 722.6 (K1 clutch)                               | 4/6 | 96-10 | 140-372-0025  | 78223-35104 |
| B38  | Friction .081" 6.796" od 30 internal teeth W5A330 (K1 clutch 1-sided)        | 5   | 04-10 | 52108507AA    | 20223-35304 |
| B38  | Friction .081" 6.065" id 12 external teeth W5A330 (K1 clutch 1-sided)        | 5   | 04-10 | 52108508AA    | 20223-35404 |
| C39  | Steel, dished narrow 5.770" id 3T 722.6 (K2 clutch cushion)                  | 1   | 96-10 | n/a           | 78223-38603 |
| C40  | Friction .084" 5.250" id 36T (small id) 722.6 (K2 clutch)                    | 4/5 | 96-01 | 210-272-0025  | 78223-35804 |
| C40  | Friction .084" 5.450" id 36T (large id) 722.6 (K2 clutch)                    | 6   | 96-10 | 140-272-0125  | 78223-35904 |
| C40  | Friction .062" 6.475" od 36T 722.6 (K2 clutch)                               | sel | 96-01 | 141706-160    | 78223-36004 |
| C41  | Steel .071" 5.770" id 30T 722.6 (K2 clutch)                                  | 1   | 96-10 | 140-272-0626  | 78223-38804 |
| C41  | Steel .110" 5.770" id 30T 722.6 (K2 clutch)                                  | 3/5 | 02-10 | 140-272-2926  | 78223-38904 |
| C41  | Steel .138" 5.770" id 30T 722.6 (K2 clutch)                                  | 2/3 | 96-01 | 140-272-0726  | 78223-39004 |
| E42  | Friction .063" 4.486" od 24T 722.6 (K3 clutch)                               | 3/4 | 96-97 | 140-272-0225  | 78223-36204 |
| E42  | Friction .085" 4.486" od 24T 722.6 (K3 clutch)                               | 5   | 98-10 | 140-272-0725  | 78223-36304 |
| E42  | Friction .082" 4.486" od 24T internal T W5A330 (K3 clutch 1-sided)           | 5   | 04-10 | 52108528AA    | 20223-36404 |
| E42  | Friction .083" 3.465" id 24T external T W5A330 (K3 clutch 1-sided)           | 5   | 04-10 | 52108529AA    | 20223-36504 |
| E43  | Steel .063" 3.465" id 24T 722.6 (K3 clutch)                                  | 1   | 96-10 | 140-272-1026  | 78223-39304 |
| E43  | Steel .109" 3.465" id 24T 722.6 (K3 clutch)                                  | 4   | 96-10 | 140-272-2726  | 78223-39404 |
| E43  | Steel .138" 3.465" id 24T 722.6 (K3 clutch)                                  | 3/4 | 96-97 | 140-272-1126  | 78223-39504 |
| E44  | Steel, dished 3.465" id 4T 722.6 (K3 clutch cushion)                         | 1   | 96-10 | AE            | 78223-39803 |
| E46  | Friction .063" 7.085" od 46T 722.6 (B3 clutch)                               | 3/4 | 96-10 | 140-272-0626  | 78223-36804 |
| E47  | Steel .071" 6.100" id 30T 722.6 (B3 clutch)                                  | 3/4 | 96-10 | 140-272-1826  | 78223-40004 |
| E53  | Steel, dished 6.100" id 3T 722.6 (B3 clutch cushion)                         | 1   | 96-10 | AE            | 78223-40303 |
| F54  | Friction .063" 5.219" od 40 external teeth 722.6 (B2 clutch)                 | 4/5 | 96-10 | 140-272-0026  | 78223-37004 |
| F55  | Steel .071" 6.097" id 24 internal teeth 722.6 (B2 clutch)                    | 3/4 | 96-10 | 140-272-0425  | 78223-40504 |
| F56  | Steel .070" 5.219" id 40T 722.6 (B2 clutch bottom)                           | 1   | 96-10 | n/a           | 78223-40604 |
| F58  | Steel, dished 5.219" id 3T 722.6 (B2 clutch cushion)                         | 1   | 96-10 | AE            | 78223-40903 |

| ILL                                 | DESCRIPTION                                | QTY | YEAR  | REFERENCE #   | PART #      |
|-------------------------------------|--|-----|-------|---------------|-------------|
| <b>PRESSURE PLATES</b>              |  |     |       |               |             |
| A60                                 | Pressure plate .155" 6.063" id 12T         | 1   | 96-10 | AE            | 78223-41203 |
| B61                                 | Pressure plate .155" 6.063" id 12T         | 1   | 96-10 | AE            | 78223-41203 |
| C62                                 | Pressure plate .160" 5.765" id 30T         | 1   | 96-10 | AE            | 78223-41603 |
| E63                                 | Pressure plate .155" 3.465" id 24T         | 1   | 96-97 | AE            | 78223-42003 |
| E64                                 | Pressure plate .255" 6.100" id 30T         | 1   | 96-10 | AE            | 78223-42503 |
| F66                                 | Pressure plate .255" 5.210" id 40T         | 1   | 96-10 | AE            | 78223-43003 |
| <b>FILTERS</b>                      |  |     |       |               |             |
| K9                                  | Kit, filter                                | 1   | 96-10 | AE            | 78223-44500 |
| H70                                 | Filter                                     | 1   | 97-10 | 140-277-00-95 | 78223-45104 |
| <b>BUSHINGS</b>                     |  |     |       |               |             |
| K12                                 | Kit, bushing                               | 1   | 96-10 | AE            | 78223-50004 |
| A74                                 | Bushing                                    | 1   | 96-10 | n/a           | 78223-50704 |
| A75                                 | Bushing                                    | 1   | 96-10 | n/a           | 78223-51204 |
| C77                                 | Bushing (teflon)                           | 1   | 04-10 | Dodge         | 78223-51704 |
| C78                                 | Bushing                                    | 1   | 96-10 | n/a           | 78223-52004 |
| D80                                 | Bushing                                    | 1   | 96-10 | n/a           | 78223-52504 |
| <b>WASHERS/BEARINGS/RACES/SHIMS</b> |  |     |       |               |             |
| A82                                 | Bearing, thrust                            | 1   | 96-10 | n/a           | 78223-56204 |
| A83                                 | Bearing, caged (needle type)               | 1   | 96-10 | n/a           | 78223-56404 |
| B84                                 | Bearing, thrust                            | 1   | 96-10 | Mercedes      | 78223-56604 |
| B84                                 | Bearing, thrust 2 tabs 2.922" od 28 roller | 1   | 04-10 | Dodge         | 20223-56704 |
| B85                                 | Bearing, thrust                            | 1   | 96-10 | n/a           | 78223-56904 |
| B85                                 | Bearing, thrust 2 tabs .381" oh 1.962" id  | 1   | 04-10 | Dodge         | 20223-57004 |
| C87                                 | Bearing, thrust 2 tabs                     | 1   | 04-10 | Dodge         | 20223-57204 |
| C90                                 | Race, bearing .031" 1.059" id 1.685" od    | 1   | 96-10 | n/a           | 78223-57404 |
| C91                                 | Bearing, thrust .129" .950" id 1.754" od   | 1   | 96-10 | n/a           | 78223-57604 |
| D93                                 | Bearing, caged .497" 1.335" od             | 1   | 96-10 | n/a           | 78223-57804 |
| D94                                 | Race, bearing                              | 1   | 96-10 | Mercedes      | 78223-58004 |
| D94                                 | Race, bearing                              | 1   | 04-10 | Dodge         | 20223-58104 |
| D95                                 | Bearing, thrust                            | 1   | 96-10 | Mercedes      | 78223-58404 |
| D95                                 | Bearing, thrust                            | 1   | 04-10 | Dodge         | 20223-58500 |
| D96                                 | Bearing, thrust                            | 1   | 96-10 | Mercedes      | 78223-58704 |
| D96                                 | Bearing, thrust 2 tabs                     | 1   | 04-10 | Dodge         | 20223-57204 |
| D98                                 | Bearing, thrust                            | 1   | 96-10 | n/a           | 78223-59004 |
| D98                                 | Bearing, ball .397" 1.903" id 2.558" od    | 1   | 04-10 | Dodge         | 20223-59104 |
| D99                                 | Race, bearing                              | 1   | 96-10 | Mercedes      | 78223-59304 |
| D99                                 | Washer .040" 1.919" id 2.553" od           | 1   | 04-10 | Dodge         | 20223-59404 |
| E104                                | Race, bearing recessed 1.405" id 2.198" od | 1   | 96-10 | n/a           | 78223-59604 |
| E105                                | Bearing, thrust .078" 1.385" id 1.840" od  | 1   | 96-10 | n/a           | 78223-59804 |
| E106                                | Race, bearing .121" 1.385" id 1.822" od    | 1   | 96-10 | Mercedes      | 78223-60004 |
| E106                                | Race, bearing .132" 1.385" id 1.822" od    | 1   | 04-10 | Dodge         | 20223-60104 |
| G109                                | Washer, shim .008"                         | sel | 96-10 | n/a           | 78223-60404 |
| G109                                | Washer, shim .012"                         | sel | 96-10 | n/a           | 78223-60504 |
| G109                                | Washer, shim .016"                         | sel | 96-10 | n/a           | 78223-60604 |
| G109                                | Washer, shim .020"                         | sel | 96-10 | n/a           | 78223-60704 |
| G110                                | Bearing, ball .629" 1.257" id 2.442" od    | 1   | 96-10 | n/a           | 78223-60904 |
| G111                                | Washer, shim .008"                         | sel | 96-10 | n/a           | 78223-60404 |
| G111                                | Washer, shim .012"                         | sel | 96-10 | n/a           | 78223-60504 |
| G111                                | Washer, shim .016"                         | sel | 96-10 | n/a           | 78223-60604 |
| G111                                | Washer, shim .020"                         | sel | 96-10 | n/a           | 78223-60704 |
|                                     |  |     |       |               |             |
|                                     |  |     |       |               |             |
|                                     |  |     |       |               |             |



# 722.6•W5A580•W5A330

722.6•W5A580•W5A330

| ILL                         | DESCRIPTION                                | QTY                              | YEAR  | REFERENCE # | PART #        |             |
|-----------------------------|--|----------------------------------|-------|-------------|---------------|-------------|
| <b>SNAP RINGS</b>           |  |                                  |       |             |               |             |
| A115                        | Ring, snap stator shaft                    | 1                                | 96-10 | AE          | 78223-62103   |             |
| A116                        | Ring, snap 5.446" od (retainer type)       | 1                                | 96-10 | AE          | 78223-62303   |             |
| A117                        | Ring, snap .125" 7.250" od                 | sel                              | 96-10 | AE          | 78223-62503   |             |
| B119                        | Ring, snap .078" 3.211" od                 | 1                                | 96-10 | AE          | 78223-63003   |             |
| B120                        | Ring, snap .125" 7.250" od                 | sel                              | 96-10 | AE          | 78223-62503   |             |
| B121                        | Ring, snap .058" 2.390" od                 | 2                                | 96-10 | AE          | 78223-63403   |             |
| C124                        | Ring, snap .079" 1.707" od                 | 1                                | 96-10 | AE          | 78223-63603   |             |
| C125                        | Ring, snap                                 | sel                              | 96-10 | AE          | 78223-63803   |             |
| C126                        | Ring, snap .077" 7.385" od                 | 1                                | 96-10 | AE          | 78223-64103   |             |
| D127                        | Ring, snap                                 | 1                                | 96-10 | Mercedes    | 78223-64303   |             |
| D127                        | Ring, snap .076" 5.237" od                 | 1                                | 04-10 | Dodge       | 78223-64503   |             |
| D128                        | Ring, snap .038" 2.218" id 2.522" od       | 1                                | 96-10 | AE          | 78223-64803   |             |
| D129                        | Ring, snap 1.765" id 2.063" od             | 1                                | 96-10 | AE          | 78223-65003   |             |
| E130                        | Ring, snap 4.850" od                       | sel                              | 96-10 | AE          | 78223-65203   |             |
| E131                        | Ring, snap 4.800" od (retainer type)       | 1                                | 96-10 | AE          | 78223-65503   |             |
| E134                        | Ring, snap 1.280" id 1.508" od             | 1                                | 96-10 | AE          | 78223-65703   |             |
| E135                        | Ring, snap                                 | sel                              | 96-10 | AE          | 78223-65903   |             |
| F138                        | Ring, snap                                 | 1                                | 96-10 | AE          | 78223-66203   |             |
| F139                        | Ring, snap                                 | 1                                | 96-10 | AE          | 78223-66403   |             |
| G144                        | Ring, snap                                 | 1                                | 96-10 | AE          | 78223-66603   |             |
| G145                        | Ring, snap .082" 2.617" od                 | 1                                | 96-10 | AE          | 78223-66803   |             |
| <b>PUMP PARTS AND PUMPS</b> |  |                                  |       |             |               |             |
| A148                        | Body, pump (w/gears)                       | 722.6                            | 1     | 96-10       | AE            | 78223-67003 |
| A149                        | Gears, pump (inner/outer)                  | 722.6                            | 1     | 96-10       | AE            | 78223-67504 |
| A150                        | Plate, pump intermediate (68 holes/bonded) | Mercedes                         | 1     | 96-10       | 140-277- 4214 | 78223-67804 |
| A150                        | Plate, pump intermediate (69 holes/bonded) | Dodge                            | 1     | 04-10       | 52108147AA    | 20223-68004 |
| A151                        | Stator, pump                               | Mercedes                         | 1     | 96-10       | AE            | 78223-68203 |
| A151                        | Stator, pump                               | Dodge                            | 1     | 04-10       | AE            | 20223-68603 |
| A152                        | Shaft, stator                              | 722.6                            | 1     | 96-10       | AE            | 78223-70503 |
| <b>HARD PARTS</b>           |  |                                  |       |             |               |             |
| A153                        | Spring, diaphragm 5.324" id 36T            | B1 clutch return spring          | 1     | 96-10       | AE            | 78223-72103 |
| B154                        | Housing, K1 clutch                         | 722.6 (3 clutch)                 | 1     | 96-10       | Mercedes      | 78223-72303 |
| B154                        | Housing, K1 clutch 58T                     | 722.6 (4 clutch)                 | 1     | 96-10       | AE            | 78223-72403 |
| B154                        | Housing, K1 clutch                         | 722.6 (5 clutch)                 | 1     | 04-10       | Dodge         | 20223-72603 |
| B155                        | Piston, K1 clutch                          | 722.6                            | 1     | 96-10       | AE            | 78223-72803 |
| B156                        | Spring, diaphragm 4.958" od 10T internal   | K1 clutch return spring          | 1     | 96-10       | AE            | 78223-73003 |
| B157                        | Retainer, K1 clutch                        | 722.6                            | 1     | 96-10       | AE            | 78223-73203 |
| B158                        | Shell, drive                               | 722.6 (fits 3 pinion planetary)  | 1     | 96-10       | Mercedes      | 78223-73403 |
| B158                        | Shell, drive                               | 722.6 (fits 4 pinion planetary)  | 1     | 04-10       | Dodge         | 20223-73703 |
| B159                        | Planetary, front (16T pinions)             | 722.6 (3 pinion gears) aluminum  | 1     | 96-10       | Mercedes      | 78223-73903 |
| B159                        | Planetary, front                           | 722.6 (4 pinion gears) aluminum  | 1     | 04-10       | Dodge         | 20223-74103 |
| C160                        | Housing, K2 clutch                         | 722.6 (bushing type)             | 1     | 96-10       | Mercedes      | 78223-74303 |
| C160                        | Housing, K2 clutch                         | 722.6 (caged bearing type)       | 1     | 96-10       | Mercedes      | 78223-74403 |
| C160                        | Housing, K2 clutch                         | 722.6 (bushing type)             | 1     | 96-10       | Mercedes      | 78223-74503 |
| C160                        | Housing, K2 clutch (ring gear 92T)         | 722.6 (cage bearing type)        | 1     | 04-10       | Dodge         | 20223-74703 |
| C161                        | Piston, K2 clutch                          | 722.6                            | 1     | 96-10       | AE            | 78223-75003 |
| C162                        | Spring, diaphragm 4.540" od                | K2 clutch return spring          | 1     | 96-10       | AE            | 78223-75203 |
| C163                        | Retainer, K2 clutch                        | 722.6                            | 1     | 96-10       | AE            | 78223-75403 |
| C164                        | Gear, ring 5.480" id 7.250" od 103T id     | 36T od (fits in drive shell)     | 1     | 96-10       | AE            | 78223-75603 |
| C164                        | Gear, ring 90T                             | fits in drive shell              | 1     | 96-10       | Mercedes      | 78223-75703 |
| C164                        | Gear, ring 108T                            | fits in drive shell              | 1     | 04-10       | Dodge         | 20223-76003 |
| D165                        | Planetary, middle 13 7/8" oh 30 spl 18T pn | 722.6 (.905" pilot bolt on yoke) | 1     | 96-10       | Mercedes      | 78223-76303 |
| D165                        | Planetary, middle (center)                 | 722.6 (.870" pilot)              | 1     | 04-10       | Dodge         | 20223-76603 |

| ILL                           | DESCRIPTION   | QTY | YEAR  | REFERENCE #  | PART #      |
|-------------------------------|---|-----|-------|--------------|-------------|
| <b>HARD PARTS (CONTINUED)</b> |   |     |       |              |             |
| D166                          | Gear, ring 69T<br>722.6 (middle planetary)                          | 1   | 96-10 | Mercedes     | 78223-77003 |
| D166                          | Gear, ring 1.160" 4.990" od 70T<br>722.6 (middle planetary)         | 1   | 04-10 | AE           | 78223-77303 |
| D166                          | Gear, ring 74T<br>722.6 (middle planetary)                          | 1   | 04-10 | Dodge        | 20223-77503 |
| D167                          | Planetary, rear (3 pinion gears)<br>722.6                           | 1   | 96-10 | Mercedes     | 78223-77703 |
| D167                          | Planetary, rear (4 pinion gears)<br>722.6                           | 1   | 04-10 | Dodge        | 20223-77903 |
| D168                          | Gear, sun middle .936" 2.226" od 34T<br>722.6                       | 1   | 96-10 | Mercedes     | 78223-78103 |
| D168                          | Gear, sun middle 30T<br>722.6                                       | 1   | 04-10 | Dodge        | 20223-78503 |
| D169                          | Gear, sun rear 54T<br>722.6   | 1   | 96-10 | Mercedes     | 78223-78703 |
| D169                          | Gear, sun rear 60T<br>722.6   | 1   | 04-10 | Dodge        | 20223-78903 |
| D169                          | Gear, sun rear 3.588" od 65T<br>722.6 (.905")                       | 1   | 96-10 | AE           | 78223-79003 |
| E172                          | Spring, diaphragm<br>K3 clutch return spring                        | 1   | 96-10 | AE           | 78223-79203 |
| E173                          | Piston, K3 clutch<br>722.6  | 1   | 96-10 | AE           | 78223-79403 |
| E175                          | Housing, K3 clutch<br>722.6 (3 clutch)                              | 1   | 96-10 | Mercedes     | 78223-79603 |
| E175                          | Housing, K3 clutch<br>722.6 (4 clutch)                              | 1   | 04-10 | Dodge        | 20223-79803 |
| E176                          | Retainer, B2 clutch<br>722.6  | 1   | 96-10 | AE           | 78223-80003 |
| F177                          | Spring, diaphragm 4.566" od 20T internal<br>B2 clutch return spring | 1   | 96-10 | AE           | 78223-80203 |
| F178                          | Piston, B2 clutch<br>722.6  | 1   | 96-10 | AE           | 78223-80403 |
| F179                          | Piston, B2 clutch<br>722.6  | 1   | 96-10 | AE           | 78223-80603 |
| F180                          | Housing, B2 clutch 3.495" oh<br>722.6                               | 1   | 96-10 | Mercedes     | 78223-80803 |
| F180                          | Housing, B2 clutch 3.180" oh<br>722.6                               | 1   | 04-10 | Dodge        | 20223-81003 |
| F181                          | Support, rear<br>722.6  | 1   | 96-10 | AE           | 78223-81203 |
| F182                          | Gear, park<br>722.6   | 1   | 96-10 | AE           | 78223-81503 |
| G184                          | Housing, bell<br>722.6  | 1   | 96-10 | AE           | 78223-81703 |
| G185                          | Case<br>722.6   | 1   | 96-10 | AE           | 78223-82003 |
| G186                          | Lever, shift shaft<br>722.6   | 1   | 96-10 | AE           | 78223-82503 |
| G187                          | Guide, park pawl actuator<br>722.6                                  | 1   | 96-10 | AE           | 78223-82903 |
| G188                          | Pawl, park<br>722.6   | 1   | 96-10 | AE           | 78223-83103 |
| G189                          | Pin, park pawl<br>722.6   | 1   | 96-10 | AE           | 78223-83303 |
| G190                          | Housing, extension (adapter) 4x4<br>722.6 (4x4/AWD)                 | 1   | 04-10 | AE           | 78223-83504 |
| G192                          | Yoke, rear 2x4<br>722.6   | 1   | 96-10 | AE           | 78223-83603 |
| G193                          | Nut, output shaft<br>722.6  | 1   | 96-10 | AE           | 78223-83803 |
| G194                          | Pan<br>722.6  | 1   | 96-10 | AE           | 78223-84003 |
| G195                          | Valve body<br>722.6   | 1   | 96-10 | AE           | 78223-84203 |
| G196                          | Rod, park<br>722.6  | 1   | 96-10 | AE           | 78223-84403 |
| G197                          | Rooster, comb (detent plate)<br>722.6                               | 1   | 96-10 | AE           | 78223-84603 |
| G198                          | Linkage<br>722.6  | 1   | 96-10 | AE           | 78223-84803 |
| G199                          | Bracket, solenoid<br>722.6  | 3   | 96-10 | AE           | 78223-84903 |
| <b>ELECTRICAL COMPONENTS</b>  |   |     |       |              |             |
| H205                          | Switch, neutral start<br>722.6                                      | 1   | 04-10 | AE           | 78223-85504 |
| H206                          | Solenoid (PWM)<br>722.6/W5A580 (lock-up/TCC)                        | 1   | 96-10 | 52108314AA   | 78223-86004 |
| H207                          | Solenoid<br>722.6 (2-3 shift)                                       | 1   | 96-10 | 5134760AA    | 78223-86404 |
| H208                          | Solenoid<br>722.6 (modulating pressure regulating)                  | 1   | 96-10 | 5138838AA    | 78223-87204 |
| H209                          | Solenoid<br>722.6 (shift pressure regulating)                       | 1   | 96-10 | 5138838AA    | 78223-87204 |
| H210                          | Solenoid<br>722.6 (1-2/4-5 shift)                                   | 1   | 96-10 | 5134760AA    | 78223-86404 |
| H211                          | Solenoid<br>722.6 (3-4 shift)                                       | 1   | 96-10 | 5134760AA    | 78223-86404 |
| H212                          | Plate, solenoid<br>722.6 (electric control module)                  | 1   | 96-10 | 140-270-0861 | 78223-87404 |
| H214                          | Connector, case<br>722.6  | 1   | 96-10 | 203-540-0053 | 78223-88004 |
|                               |   |     |       |              |             |
|                               |   |     |       |              |             |
|                               |   |     |       |              |             |
|                               |   |     |       |              |             |
|                               |   |     |       |              |             |
|                               |   |     |       |              |             |



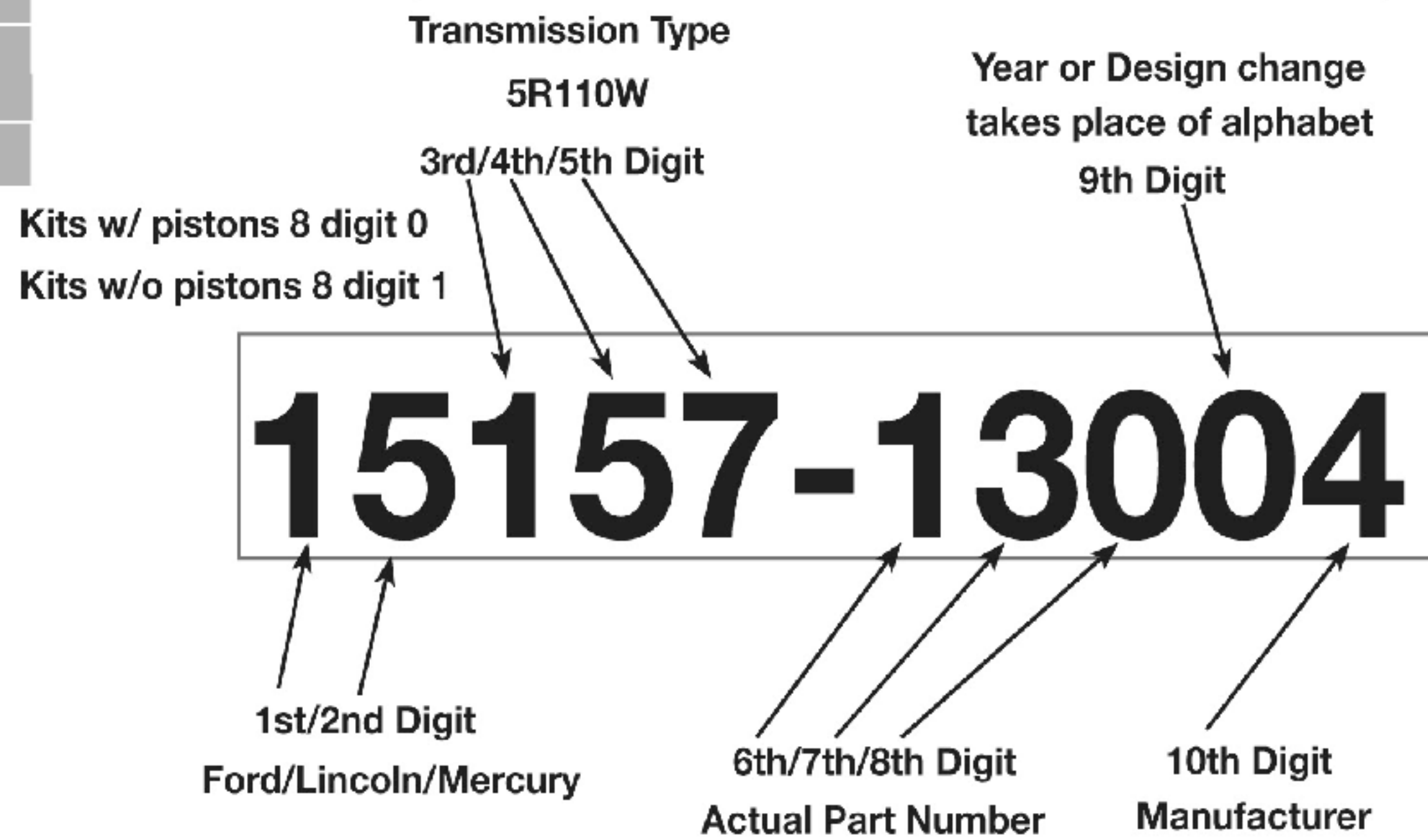


## Automatic transmission

### 10 Digit Numbering System

|                   |                       |
|-------------------|-----------------------|
| 1st/2nd Digit     | Vehicle Make          |
| 3rd/4th/5th Digit | Transmission Type     |
| 6th/7th/8th Digit | Actual Part Number    |
| 9th Digit         | Year or Design Change |
| 10th Digit        | Manufacturer/Vendor   |

This is what a typical number looks like, this one is an O/H gasket set w/seals-rings w/pistons (5R110W)



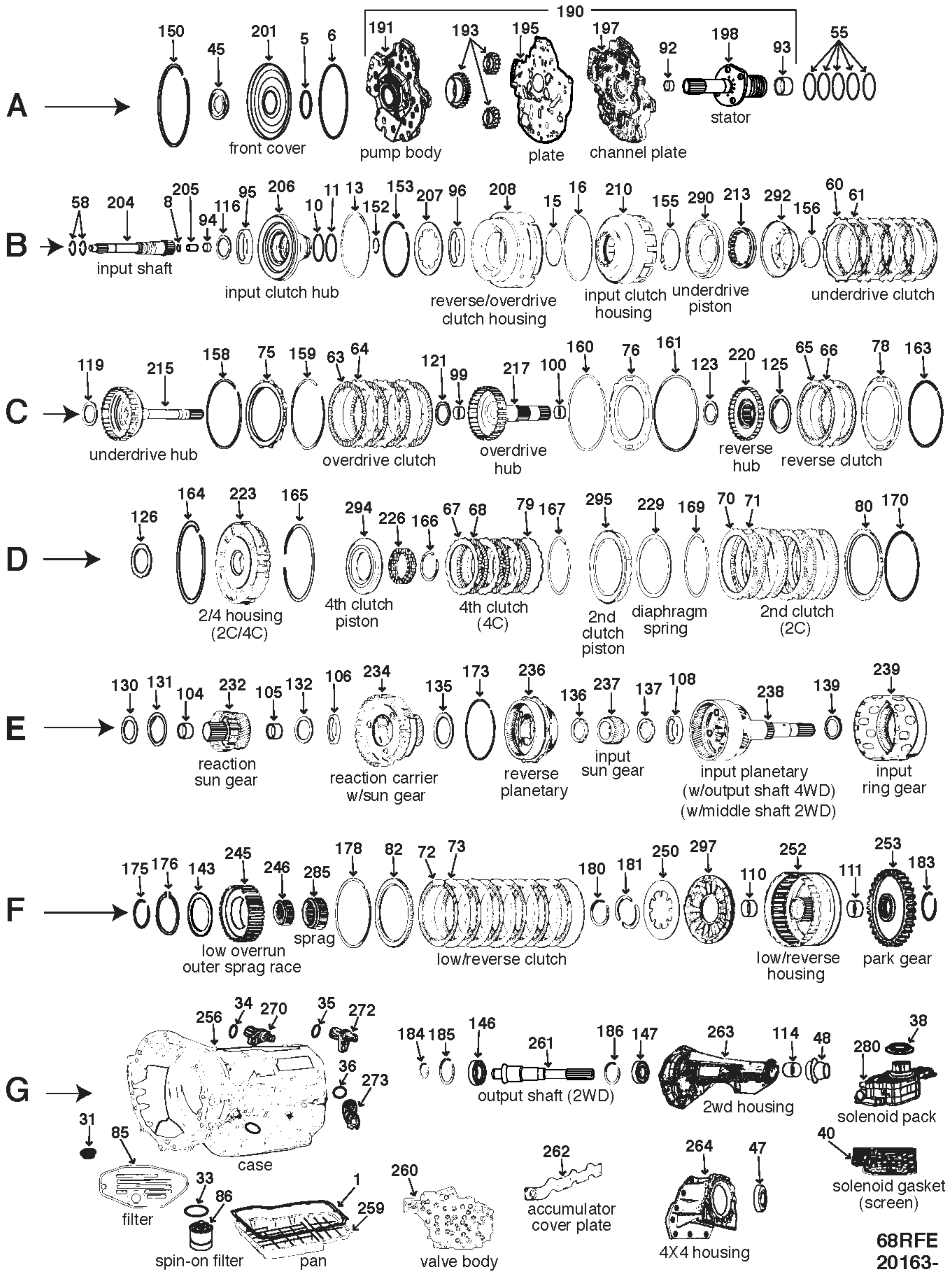
| 6th/7th/8th Digit                      |         |
|--|---------|
| K4 Master deluxe rebuild kits          | 100-101 |
| K5 Master kit w/steels                 | 110-119 |
| K6 Master kit w/o steels               | 120-129 |
| K7 O/H gasket set w/seals-rings        | 130-139 |
| K8 External seal kits                  | 140-149 |
| K11 Gaskets & seals kits               | 150-159 |
| K13 Valve body gasket sets             | 160-167 |
| K28 Accumulator D ring kits            | 168-169 |
| K15 Valve body kits                    | 170-179 |
| Pan gaskets neoprene/cork              | 180-189 |
| Pan gaskets Duraprene®                 | 190-199 |
| Pan gaskets molded rubber              | 200-209 |
| O-rings/D rings                        | 210-245 |
| Lip seals                              | 246-279 |
| Gaskets                                | 280-299 |
| Metal clad seals                       | 300-314 |
| K10 Sealing ring kits                  | 315-319 |
| K10 Sealing ring kits (metal)          | 320-330 |
| K10 Sealing ring kits (Teflon/plastic) | 331-350 |
| Friction (lined disc)                  | 351-374 |
| Steel/waved plates                     | 375-410 |
| Pressure plates                        | 411-434 |
| K9 Filter kits neoprene/cork           | 435-439 |
| K9 Filter kits Duraprene®              | 440-444 |
| K9 Filter kits molded rubber           | 445-449 |
| Filters                                | 450-464 |
| Modulator                              | 465-474 |
| Bands                                  | 475-484 |
| K13 Bushing kits                       | 500-505 |
| Bushings                               | 506-540 |
| K14 Thrust washer kits                 | 545-550 |
| K12 Thrust bearing kits                | 551-555 |
| K14 Shim kits                          | 556-560 |
| Thrust washers                         | 561-620 |
| Thrust bearing races                   | 561-620 |
| Snap rings                             | 621-669 |
| Pump/pump parts                        | 670-710 |
| Hard parts                             | 721-849 |
| Electrical                             | 850-939 |
| Sprags                                 | 940-960 |
| Pistons, bonded rubber                 | 961-994 |
| Bonded piston kits                     | 995-999 |

Kits w/ pistons 8 digit 0  
Kits w/o pistons 8 digit 1

| Vehicle Make                 |                  |
|------------------------------|------------------|
| 10 General Motors            | 74 Lexus         |
| 15 Ford/Lincoln/Mercury      | 75 Mazda         |
| 20 Chrysler/Dodge/Jeep/Eagle | 78 Mercedes      |
| 25 Acura                     | 80 Mitsubishi    |
| 30 Alfa Romeo                | 82 Nissan/Datsun |
| 40 Audi                      | 83 Opel          |
| 45 BMW                       | 84 Peugeot       |
| 50 Daewoo                    | 85 Porsche       |
| 52 Fiat                      | 86 Renault       |
| 55 Daihatsu                  | 87 Saab          |
| 56 GEO                       | 90 Saturn        |
| 60 Honda                     | 91 Sterling      |
| 65 Hyundai                   | 92 Subaru        |
| 68 Infiniti                  | 93 Suzuki        |
| 70 Isuzu                     | 94 Smart         |
| 71 Jaguar                    | 95 Toyota        |
| 72 Kia                       | 96 Volkswagen    |
| 73 Land Rover                | 97 Volvo         |

| 670 Pump assemblies | 681 Pump gears      | 685 Pump stators  | 675 Pump bodies w/gears |
|---------------------|---------------------|-------------------|-------------------------|
| 1st/2nd Digit       | Vehicle Make        | 3rd/4th/5th Digit | Transmission Type       |
| 6th/7th/8th Digit   | Actual Part         | 9th Digit         | Year or Design Change   |
| 10th Digit          | 0 OEM               | 1 Borg/Warner     | 2 Raybestos             |
|                     | 3 Rebuilt/Good Used | 4 Aftermarket     | 5 Superior              |
|                     | 6 SPX               | 7 Transtec        | 8 Hi-Performance        |
|                     | 9 Transgo®          |                   |                         |





68RFE  
20163-

| ILL                                  | DESCRIPTION  | QTY                            | YEAR  | REFERENCE # | PART #       |             |
|--------------------------------------|--|--------------------------------|-------|-------------|--------------|-------------|
| <b>TECHNICAL MANUALS</b>             |  |                                |       |             |              |             |
| K53                                  | Tech manual 68RFE dis/assembly diagnosis/troubleshooting | 1                              | 07-10 | 68RFE       | 010-120      |             |
| <b>REBUILDER KITS</b>                |  |                                |       |             |              |             |
| K5                                   | Master kit w/steels w/pistons                            | 68RFE                          | 1     | 07-10       | AE           | 20163-11004 |
| K5                                   | Master kit w/steels w/o pistons                          | 68RFE                          | 1     | 07-10       | AE           | 20163-11104 |
| K6                                   | Master kit w/o steels w/pistons                          | 68RFE                          | 1     | 07-10       | AE           | 20163-12004 |
| K6                                   | Master kit w/o steels w/o pistons                        | 68RFE                          | 1     | 07-10       | AE           | 20163-12104 |
| K7                                   | O/H gasket set w/seals-rings w/pistons                   | 68RFE                          | 1     | 07-10       | DP2543       | 20163-13004 |
| K7                                   | O/H gasket set w/seals-rings w/o pistons                 | 68RFE                          | 1     | 07-10       | DP2544       | 20163-13104 |
| <b>VALVE BODY KITS</b>               |  |                                |       |             |              |             |
| K15                                  | Shift Kit® prevents/reduces 2-3 neutral limp/slip codes  | 68RFE                          | 1     | 07-10       | SK® 45RFE    | K20908      |
| K15                                  | Shift Correction Package                                 | 68RFE                          | 1     | 07-09       | n/a          | S20908      |
| <b>GASKETS AND RUBBER COMPONENTS</b> |  |                                |       |             |              |             |
| G1                                   | Gasket, oil pan  | 68RFE (molded rubber)          | 1     | 07-10       | n/i          | 13199D      |
| G1                                   | Gasket, oil pan  | 68RFE                          | 1     | 07-10       | n/a          | 13199X      |
| A5                                   | O'ring   | front cover (inner)            | 1     | 07-10       | n/a          | 20163-21004 |
| A6                                   | O'ring   | front cover (outer)            | 1     | 07-10       | n/a          | 20163-21104 |
| B8                                   | O'ring   | check valve (input shaft)      | 1     | 07-10       | n/a          | 20163-21404 |
| B10                                  | O'ring   | input clutch hub (inner lower) | 1     | 07-10       | n/a          | 20163-21504 |
| B11                                  | O'ring   | input clutch hub (inner upper) | 1     | 07-10       | n/a          | 20163-21904 |
| B13                                  | Lip seal   | input clutch hub (outer)       | 1     | 07-10       | n/a          | 20163-24804 |
| B15                                  | O'ring   | input clutch housing (inner)   | 1     | 07-10       | n/a          | 20163-22304 |
| B16                                  | Lip seal   | input clutch housing (outer)   | 1     | 07-10       | n/a          | 20163-25004 |
| G31                                  | Multi lip seal   | filter                         | 1     | 07-10       | n/a          | 20163-25204 |
| G33                                  | Seal, lathe cut  | spin-on filter                 | 1     | 07-10       | n/a          | 20163-25404 |
| G34                                  | O'ring   | input sensor                   | 1     | 07-10       | n/a          | 20163-23304 |
| G35                                  | O'ring   | output sensor                  | 1     | 07-10       | n/a          | 20163-23304 |
| G36                                  | O'ring   | line pressure sensor           | 1     | 07-10       | n/a          | 20163-23304 |
| G38                                  | Gasket (rubber)  | solenoid to case               | 1     | 07-10       | n/a          | 20163-29004 |
| G40                                  | Gasket, molded w/filter screen                           | solenoid to valve body         | 1     | 07-10       | n/a          | 20163-29504 |
| <b>METAL CLAD SEALS</b>              |  |                                |       |             |              |             |
| A45                                  | Seal, metal clad   | front pump                     | 1     | 07-09       | 4617919      | 20573       |
| G47                                  | Seal, metal clad   | adapter housing (4WD)          | 1     | 07-09       | 5019020AA    | 20576       |
| G48                                  | Seal, metal clad   | extension housing (2WD)        | 1     | 07-10       | FDB-B37110   | 10151-30504 |
| <b>SEALING RINGS</b>                 |  |                                |       |             |              |             |
| K10                                  | Kit, sealing ring  | 68RFE                          | 1     | 07-09       | n/a          | 20163-31504 |
| A55                                  | Ring, sealing  | stator shaft                   | 5     | 07-09       | n/a          | 20300       |
| B58                                  | Ring, sealing  | input shaft                    | 2     | 07-09       | n/a          | 20163-33604 |
| <b>CLUTCH PLATES</b>                 |  |                                |       |             |              |             |
| B60                                  | Friction .057" 5.400" id 12T (exter T)                   | underdrive clutch (1-sided)    | 5     | 07-08       | 128741A145   | 20163-35204 |
| B61                                  | Friction .057" 6.364" od 32T (inter T)                   | underdrive clutch (1-sided)    | 5     | 07-09       | 128740C147   | 20163-35504 |
| C63                                  | Friction .052" 5.400" id 12T (exter T)                   | overdrive clutch (1-sided)     | 6     | 07-09       | 128741A132   | 20163-35704 |
| C64                                  | Friction .052" 6.357" od 32T (inter T)                   | overdrive clutch (1-sided)     | 6     | 07-09       | 128740C132   | 20163-35904 |
| C65                                  | Friction .078" 6.364" od 32T                             | reverse clutch                 | 2     | 07-09       | 128700B200   | 20163-36104 |
| C66                                  | Steel .068" 5.400" id 12T                                | reverse clutch                 | 2     | 07-09       | 128701-170   | 20163-38404 |
| D67                                  | Steel .099" 4.239" id 20T                                | 4th clutch                     | 4     | 07-09       | 128705-250   | 20163-39004 |
| D68                                  | Friction .090" 5.331" od 24T                             | 4th clutch                     | 4     | 07-09       | 0521196000AA | 20104       |
| D70                                  | Steel .127" 6.771" id 10T                                | 2nd clutch                     | 3     | 07-09       | 128703-323   | 20163-39504 |
| D71                                  | Friction .090" 8.109" od 40T                             | 2nd clutch                     | 3     | 07-09       | 052119597AA  | 20102       |
| F72                                  | Friction .062" 6.806" od 48T (inter T)                   | low/reverse clutch (1-sided)   | 7     | 07-09       | 128746A157   | 20163-36904 |
| F73                                  | Friction .062" 5.870" id 45T (exter T)                   | low/reverse clutch (1-sided)   | 7     | 07-09       | 128747A157   | 20163-37204 |
|                                      |  |                                |       |             |              |             |
|                                      |  |                                |       |             |              |             |
|                                      |  |                                |       |             |              |             |

| ILL                                 | DESCRIPTION  | QTY | YEAR  | REFERENCE # | PART #      |
|-------------------------------------|--|-----|-------|-------------|-------------|
| <b>PRESSURE PLATES</b>              |  |     |       |             |             |
| C75                                 | Pressure plate (stepped) underdrive/overdrive clutch   | 1   | 07-09 | n/a         | 20163-41303 |
| C76                                 | Pressure plate overdrive/reverse                       | 1   | 07-09 | n/a         | 20163-41703 |
| C78                                 | Pressure plate reverse                                 | 1   | 07-09 | n/a         | 20163-42203 |
| D79                                 | Pressure plate 4th clutch                              | 1   | 07-09 | n/a         | 20163-42403 |
| D80                                 | Pressure plate 2nd clutch                              | 1   | 07-09 | n/a         | 20163-42803 |
| F82                                 | Pressure plate low/reverse clutch                      | 1   | 07-09 | n/a         | 20163-43103 |
| <b>FILTERS</b>                      |  |     |       |             |             |
| K9                                  | Kit, filter 2WD 68RFE                                  | 1   | 07-09 | AE          | 20163-44504 |
| K9                                  | Kit, filter 4WD 68RFE                                  | 1   | 07-09 | AE          | 20163-44604 |
| G85                                 | Filter, 2WD 68RFE                                      | 1   | 07-09 | n/a         | 20163-45004 |
| G85                                 | Filter, 4WD 68RFE                                      | 1   | 07-09 | n/a         | 20163-45104 |
| G86                                 | Filter, spin on 68RFE                                  | 1   | 07-09 | n/a         | 20163-45504 |
| <b>BUSHINGS</b>                     |  |     |       |             |             |
| K13                                 | Kit, bushing bushing kit                               | 1   | 07-09 | AE          | 20163-50004 |
| A92                                 | Bushing, front stator support 68RFE                    | 1   | 07-09 | n/a         | 20163-50604 |
| A93                                 | Bushing, rear stator support 68RFE                     | 1   | 07-09 | n/a         | 20163-50804 |
| B95                                 | Bushing, input clutch hub 68RFE                        | 1   | 07-09 | n/a         | 20163-51104 |
| B96                                 | Bushing, reverse/od housing 68RFE                      | 1   | 07-09 | n/a         | 20163-51304 |
| C99                                 | Bushing, front overdrive hub 68RFE                     | 1   | 07-09 | n/a         | 20163-51404 |
| C100                                | Bushing, rear overdrive hub 68RFE                      | 1   | 07-09 | n/a         | 20163-51704 |
| E104                                | Bushing, front reaction sun gear 68RFE                 | 1   | 07-09 | n/a         | 20163-51804 |
| E105                                | Bushing, rear reaction sun gear 68RFE                  | 1   | 07-09 | n/a         | 20163-51904 |
| E106                                | Bushing, reaction carrier 68RFE                        | 1   | 07-09 | n/a         | 20163-52104 |
| E108                                | Bushing, inner input carrier 68RFE                     | 1   | 07-09 | n/a         | 20163-52404 |
| F110                                | Bushing, front low/reverse housing 68RFE               | 1   | 07-09 | n/a         | 20163-52504 |
| F111                                | Bushing, rear low/reverse housing 68RFE                | 1   | 07-09 | n/a         | 20163-53004 |
| G114                                | Bushing 68RFE  | 1   | 07-09 | n/a         | 22014       |
| <b>WASHERS/BEARINGS/RACES/SHIMS</b> |  |     |       |             |             |
| K12                                 | Kit, thrust bearing 68REF                              | 1   | 07-09 | AE          | 20163-55104 |
| B116                                | Bearing, thrust input hub to pump support              | 1   | 07-09 | n/a         | 20163-55604 |
| C119                                | Bearing, thrust overdrive hub to input housing         | 1   | 07-09 | n/a         | 20163-56304 |
| C121                                | Bearing, thrust underdrive hub to overdrive hub        | 1   | 07-09 | n/a         | 20163-56604 |
| C123                                | Bearing, thrust reverse hub to overdrive hub           | 1   | 07-09 | n/a         | 20163-56804 |
| C125                                | Bearing, thrust reverse hub to 2/4 housing             | 1   | 07-09 | n/a         | 20163-56904 |
| D130                                | Bearing, thrust 2/4 housing                            | 1   | 07-09 | n/a         | 20163-57004 |
| E130                                | Bearing, thrust inner reaction sun gear                | 1   | 07-09 | n/a         | 20163-57204 |
| E131                                | Bearing, thrust outer reaction sun gear                | 1   | 07-09 | n/a         | 20163-57304 |
| E132                                | Bearing, thrust reaction sun gear to reaction carrier  | 1   | 07-09 | n/a         | 20163-57404 |
| E135                                | Bearing, thrust reaction sun gear to reverse planetary | 1   | 07-09 | n/a         | 20163-57504 |
| E136                                | Bearing, thrust input sun gear to reverse planetary    | 1   | 07-09 | n/a         | 20163-57604 |
| E137                                | Bearing, thrust input sun gear to input planetary      | 1   | 07-09 | n/a         | 20163-57804 |
| E139                                | Bearing, thrust input planetary to low sprag race      | 1   | 07-09 | n/a         | 20163-57904 |
| F143                                | Bearing, thrust outer low sprag race                   | 1   | 07-09 | n/a         | 20163-58004 |
| <b>SNAP RINGS</b>                   |  |     |       |             |             |
| A150                                | Snap ring holds seal cover                             | 1   | 07-09 | n/a         | 20163-62203 |
| B152                                | Snap ring input clutch retainer                        | 1   | 07-09 | n/a         | 20163-62303 |
| B153                                | Snap ring input clutch hub                             | 1   | 07-09 | n/a         | 20163-62403 |
| B155                                | Snap ring input clutch housing                         | 1   | 07-09 | n/a         | 20163-62503 |
| B156                                | Snap ring underdrive retainer                          | 1   | 07-09 | n/a         | 20163-62603 |
| C158                                | Snap ring underdrive clutch                            | 1   | 07-09 | n/a         | 20163-62703 |
| C159                                | Snap ring overdrive clutch                             | 1   | 07-09 | n/a         | 20163-62803 |
| C160                                | Snap ring overdrive clutch                             | 1   | 07-09 | n/a         | 20163-63003 |
| C161                                | Snap ring overdrive clutch                             | 1   | 07-09 | n/a         | 20163-63003 |

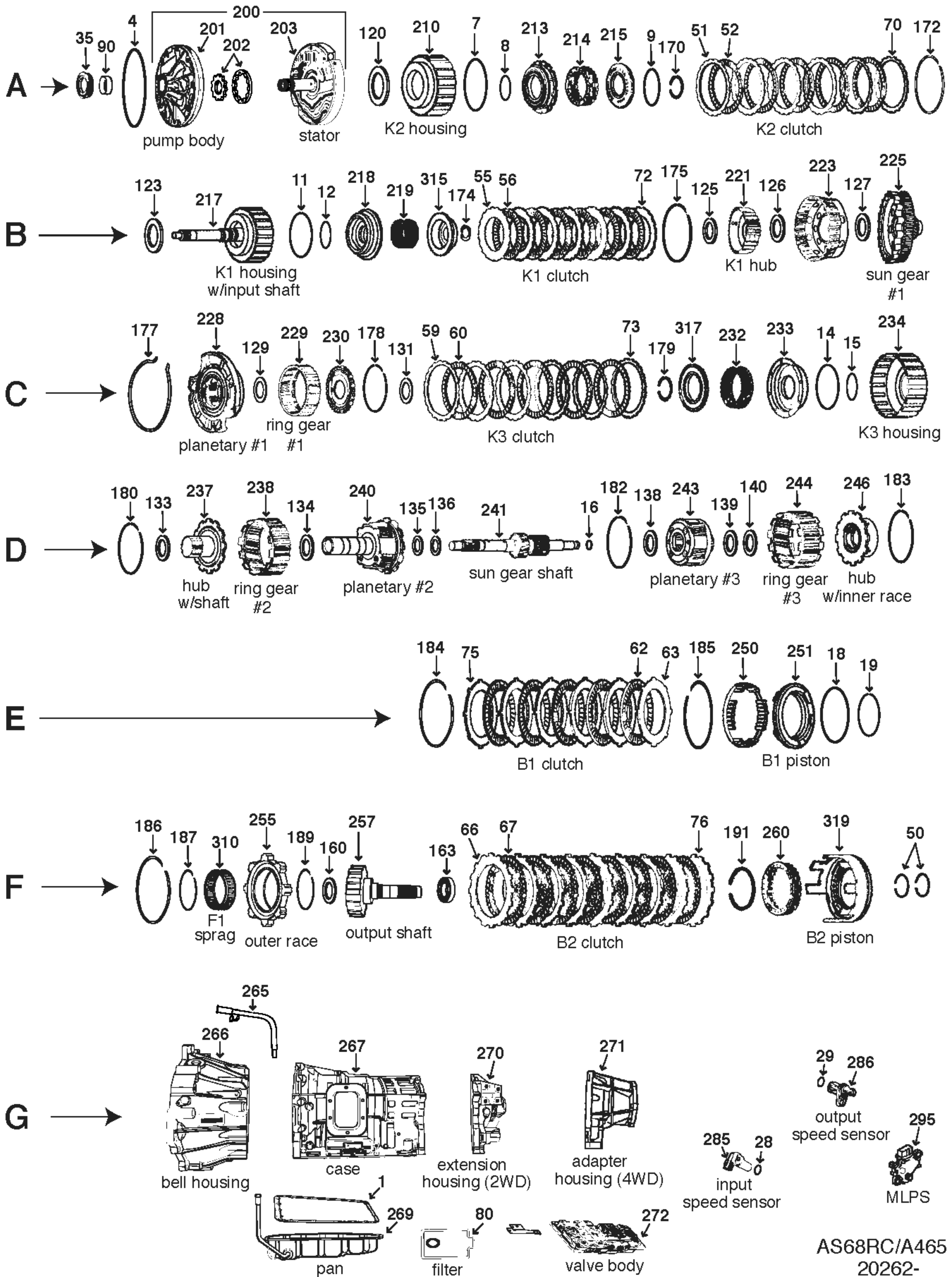
| ILL                           | DESCRIPTION                                 | QTY | YEAR  | REFERENCE # | PART #      |
|-------------------------------|---|-----|-------|-------------|-------------|
| <b>SNAP RINGS (CONTINUED)</b> |   |     |       |             |             |
| C163                          | Snap ring reverse clutch                    | 1   | 07-09 | n/a         | 20163-63103 |
| D164                          | Snap ring 2/4 housing                       | 1   | 07-09 | n/a         | 20163-63203 |
| D165                          | Snap ring 2/4 housing                       | 1   | 07-09 | n/a         | 20163-63403 |
| D166                          | Snap ring 4th clutch retainer               | 1   | 07-09 | n/a         | 20163-63703 |
| D167                          | Snap ring 4th clutch                        | 1   | 07-09 | n/a         | 20163-64003 |
| D169                          | Snap ring 2nd clutch                        | 1   | 07-09 | n/a         | 20163-64203 |
| D170                          | Snap ring 2nd clutch                        | 1   | 07-09 | n/a         | 20163-64303 |
| E173                          | Snap ring reverse planetary                 | 1   | 07-09 | n/a         | 20163-64403 |
| F175                          | Snap ring inner sprag race                  | 1   | 07-09 | n/a         | 20163-63903 |
| F176                          | Snap ring outer sprag race                  | 1   | 07-09 | n/a         | 20163-64503 |
| F178                          | Snap ring low/reverse clutch                | 1   | 07-09 | n/a         | 20163-64603 |
| F180                          | Snap ring low/reverse retainer              | 1   | 07-09 | n/a         | 20163-64903 |
| F181                          | Snap ring low/reverse split retainer        | 1   | 07-09 | n/a         | 20163-65003 |
| F183                          | Snap ring park gear                         | 1   | 07-09 | n/a         | 20163-65103 |
| <b>PUMP PARTS AND PUMPS</b>   |   |     |       |             |             |
| A190                          | Pump, assembly 68RFE exchange needed        | 1   | 07-09 | AE          | 20163-67003 |
| A192                          | Body, pump w/gears 68RFE                    | 1   | 07-09 | AE          | 20163-67103 |
| A193                          | Gears, pump 68RFE                           | 1   | 07-09 | AE          | 20163-67204 |
| A197                          | Support, pump w/shaft 68RFE                 | 1   | 07-09 | AE          | 20163-67303 |
| A198                          | Support, pump 68RFE                         | 1   | 07-09 | AE          | 20163-67404 |
| A195                          | Plate, pump (metal) 68RFE                   | 1   | 07-09 | AE          | 20163-67504 |
| <b>HARD PARTS</b>             |   |     |       |             |             |
| A201                          | Cover, front 68RFE                          | 1   | 07-09 | n/a         | 20163-72104 |
| B204                          | Shaft, input 68RFE                          | 1   | 07-09 | n/a         | 20163-72503 |
| B205                          | Valve, check input shaft                    | 1   | 07-09 | n/a         | 20163-72903 |
| B206                          | Hub, input clutch 68RFE                     | 1   | 07-09 | n/a         | 20163-73203 |
| B207                          | Spring, diaphragm reverse/overdrive housing | 1   | 07-09 | n/a         | 20163-73703 |
| B208                          | Housing, reverse/overdrive clutch 68RFE     | 1   | 07-09 | n/a         | 20163-73903 |
| B210                          | Housing, input clutch 68RFE                 | 1   | 07-09 | n/a         | 20163-74303 |
| B213                          | Retainer, spring underdrive                 | 1   | 07-09 | n/a         | 20163-74703 |
| C215                          | Hub, underdrive shaft 68RFE                 | 1   | 07-09 | n/a         | 20163-75003 |
| C217                          | Hub, overdrive shaft 68RFE                  | 1   | 07-09 | n/a         | 20163-75403 |
| C220                          | Hub, reverse clutch 68RFE                   | 1   | 07-09 | n/a         | 20163-75803 |
| D223                          | Housing, 2/4 clutch 68RFE                   | 1   | 07-09 | n/a         | 20163-76203 |
| D226                          | Retainer, spring 4th clutch (4C)            | 1   | 07-09 | n/a         | 20163-76803 |
| D229                          | Spring, diaphragm 2nd clutch (2C)           | 1   | 07-09 | n/a         | 20163-77103 |
| E232                          | Gear, reaction sun gear 68RFE               | 1   | 07-09 | n/a         | 20163-77403 |
| E234                          | Planetary, reaction carrier 68RFE           | 1   | 07-09 | n/a         | 20163-77803 |
| E236                          | Planetary, reverse carrier 68RFE            | 1   | 07-09 | n/a         | 20163-78203 |
| E237                          | Gear, input sun gear 68RFE                  | 1   | 07-09 | n/a         | 20163-78603 |
| E238                          | Planetary, w/output shaft (4WD) 68RFE       | 1   | 07-09 | n/a         | 20163-79003 |
| E238                          | Planetary, w/output shaft (2WD) 68RFE       | 1   | 07-09 | n/a         | 20163-79503 |
| E239                          | Gear, input ring rear ring gear             | 1   | 07-09 | n/a         | 20163-80103 |
| F245                          | Race, outer sprag low overrun               | 1   | 07-09 | n/a         | 20163-80503 |
| F246                          | Race, inner sprag low overrun               | 1   | 07-09 | n/a         | 20163-81003 |
| F250                          | Spring, diaphragm low/reverse               | 1   | 07-09 | n/a         | 20163-81304 |
| F252                          | Housing, low/reverse clutch 68RFE           | 1   | 07-09 | n/a         | 20163-81503 |
| F253                          | Gear, park 68RFE                            | 1   | 07-09 | n/a         | 20163-81903 |
| G260                          | Cover, accumulator plate valve body         | 1   | 07-09 | n/a         | 20163-83504 |
|                               |   |     |       |             |             |
|                               |   |     |       |             |             |
|                               |   |     |       |             |             |
|                               |   |     |       |             |             |





| <b>ITEM</b>    | <b>DESCRIPTION</b>                                       | <b>PART #</b>   |
|----------------|--|-----------------|
|                | <b>SEYMOUR PAINT PRODUCTS</b>                            |                 |
| CAST BLAST     | CAST BLAST - CAST IRON GRAY - 12 oz. CAN                 | <b>16-048</b>   |
| SPRAY PAINT    | STAINLESS STEEL SPRAY - 13 oz. CAN                       | <b>16-054</b>   |
| ALUMINUM BLAST | ALUMINUM BLAST -12 oz. CAN                               | <b>16-055</b>   |
| ENAMEL PAINT   | GLOSS BLACK ENAMEL - 12 oz. CAN                          | <b>16-115</b>   |
| ENAMEL PAINT   | DULL ALUMINUM METALLIC ENAMEL - 12 oz. CAN               | <b>16-132</b>   |
| ENAMEL PAINT   | FLAT BLACK ENAMEL - 12 oz. CAN                           | <b>16-133</b>   |
| PRIMER         | WHITE PRIMER - 12 oz. CAN                                | <b>16-805</b>   |
| LACQUER        | GLOSS BLACK LACQUER - 12 oz. CAN                         | <b>16-815</b>   |
| PRIMER         | BLACK PRIMER   | <b>16-828</b>   |
| PRIMER         | LIGHT GRAY PRIMER  | <b>16-831</b>   |
| LACQUER        | SEMI-GLOSS BLACK LACQUER - 12 oz. CAN                    | <b>16-838</b>   |
| HOT SPOT PAINT | ALUMINUM HOT SPOT - 12 oz. CAN                           | <b>16-1201</b>  |
| HOT SPOT PAINT | WHITE HOT SPOT - 12 oz. CAN                              | <b>16-1202</b>  |
| HOT SPOT PAINT | BLACK HOT SPOT - 12 oz. CAN                              | <b>16-1203</b>  |
| CAST BLAST     | CAST BLAST - 1200 DEGREES F                              | <b>16-2668</b>  |
| CLEANER        | INDUSTRIAL GLASS CLEANER - 16 oz. CAN                    | <b>20-20</b>    |
| UNDERCOAT      | QUIET SEAL AUTOBODY UNDERCOAT - 18oz.                    | <b>20-006</b>   |
| UNDERCOAT      | QUIET SEAL RUBBERIZED UNDERCOAT - 24 oz. CAN             | <b>20-046</b>   |
| PAINT REMOVER  | GRAFFITI/PAINT REMOVER - 12.5 oz. CAN                    | <b>20-047</b>   |
| CEILING PAINT  | CEILING TILE PAINT - OLD WHITE - 16 oz. CAN              | <b>20-052</b>   |
| LUBRICANT      | SILICONE LUBRICANT - 13 oz. CAN                          | <b>620-1500</b> |
| VARNISH        | RED INSULATING VARNISH - 16 oz. CAN                      | <b>620-1525</b> |
| DEGREASER      | NON-FLAMMABLE ELECT. DEGREASER                           | <b>620-1526</b> |
| SEALER         | TINTED IGNITION SEALER - 11.5 oz. CAN                    | <b>620-1529</b> |
| CLEANER        | CARB PCV VALVE & CHOKE CLEANER                           | <b>620-1536</b> |
| ADHESIVE       | ALL PURPOSE ADHESIVE - 14 oz. CAN                        | <b>620-1539</b> |
| BRAKE CLEANER  | NON-CHLORINATED BRAKE CLEANER - 13 oz. CAN               | <b>620-1548</b> |
| CUTTING OIL    | MACHINE TOOL CUTTING OIL 14 oz. CAN                      | <b>620-1557</b> |
| LAYOUT INK     | TOOLMAKER'S LAYOUT BLUE INK - 15 oz. CAN                 | <b>620-1558</b> |
| INK REMOVER    | TOOLMAKER'S LAYOUT INK REMOVER - 16 oz. CAN              | <b>620-1559</b> |
| CLEANER        | MULTI-PURPOSE CLEANER/DEGREASER - 15 oz. CAN             | <b>620-1568</b> |
| ENGINE PAINT   | CHROME ALUMINUM HI-TECH ENGINE PAINT - 12 oz. CAN        | <b>EN-41</b>    |
| ENGINE PAINT   | UNIVERSAL BLACK HI-TECH ENGINE PAINT - 12 oz. CAN        | <b>EN-42</b>    |
| ENGINE PAINT   | FORD GRAY HI-TECH ENGINE PAINT 12 oz. CAN                | <b>EN-43</b>    |
| ENGINE PAINT   | FORD/CHRYSLER RED HI-TECH ENGINE PAINT - 12 oz. CAN      | <b>EN-44</b>    |
| ENGINE PAINT   | FORD BLUE HI-TECH ENGINE PAINT - 12 oz. CAN              | <b>EN-46</b>    |
| ENGINE PAINT   | CHEVY ORANGE HI-TECH ENGINE PAINT - 12 oz. CAN           | <b>EN-48</b>    |
| ENGINE PAINT   | PONTIAC BLUE METALLIC -HI TECH ENGINE PAINT - 12 oz. CAN | <b>EN-57</b>    |
| ENGINE PAINT   | AMC BLUE HI-TECH ENGINE PAINT - 12 oz. CAN               | <b>EN-66</b>    |
| ENGINE PAINT   | GM BLUE HI-TECH ENGINE PAINT - 12 oz. CAN                | <b>EN-67</b>    |
| ENGINE PAINT   | DULL ALUMINUM HI-TECH ENGINE PAINT 12 oz. CAN            | <b>EN-71</b>    |
| EPOXY PAINT    | APPLIANCE WHITE EPOXY PAINT - 12 oz. CAN                 | <b>EP-502</b>   |
| EPOXY PAINT    | APPLIANCE ALMOND EPOXY PAINT - 12 oz. CAN                | <b>EP-522</b>   |
|                |  |                 |
|                |  |                 |
|                |  |                 |

**Paint**



| ILL                                  | DESCRIPTION                     |                           | QTY | YEAR  | REFERENCE #  | PART #      |
|--------------------------------------|---------------------------------|---------------------------|-----|-------|--------------|-------------|
| <b>TECHNICAL MANUALS</b>             |                                 |                           |     |       |              |             |
| K53                                  | Tech manual AS68RC dis/assembly | diagnosis/troubleshooting | 1   | 07-09 | AS68RC       | 010-130     |
| K53                                  | Tech guide AS68RC               | diagnosis/troubleshooting | 1   | 07-09 | AS68RC guide | 010-131     |
| <b>REBUILDER KITS</b>                |                                 |                           |     |       |              |             |
| K5                                   | Master kit w/steels             | AS68RC/DG3-Aisin          | 1   | 07-09 | AE           | 20262-11104 |
| K6                                   | Master kit w/o steels           | AS68RC/DG3-Aisin          | 1   | 07-09 | AE           | 20262-12104 |
| K7                                   | O/H gasket set w/seals-rings    | AS68RC/DG3-Aisin          | 1   | 07-09 | 68040450AA   | 20262-13104 |
| K28                                  | Kit, valve body repair          | AS68RC/DG3-Aisin          | 1   | 07-10 | n/a          | 20262-16004 |
| <b>VALVE BODY KITS</b>               |                                 |                           |     |       |              |             |
| K15                                  | Kit, valve body repair          | AS68RC/DG3-Aisin          | 1   | 07-10 | n/a          | 20262-17009 |
| <b>GASKETS AND RUBBER COMPONENTS</b> |                                 |                           |     |       |              |             |
| G1                                   | Gasket, pan                     | AS68RC/DG3-Aisin          | 1   | 07-09 | 68020048AA   | 20262-20004 |
| A4                                   | O'ring                          | pump body                 | 1   | 07-10 | n/a          | 20262-21004 |
| n/i                                  | Gasket, upper cover plate       | AS68RC/DG3-Aisin          | 1   | 07-10 | n/a          | 20262-28504 |
| n/i                                  | Gasket, lower cover plate       | AS68RC/DG3-Aisin          | 1   | 07-10 | n/a          | 20262-28704 |
| n/i                                  | Gasket, upper spacer plate      | AS68RC/DG3-Aisin          | 1   | 07-10 | n/a          | 20262-28904 |
| n/i                                  | Gasket, lower spacer plate      | AS68RC/DG3-Aisin          | 1   | 07-10 | n/a          | 20262-29104 |
| <b>METAL CLAD SEALS</b>              |                                 |                           |     |       |              |             |
| A35                                  | Seal, metal clad                | pump seal (front seal)    | 1   | 07-10 | n/a          | 20262-30104 |
| n/i                                  | Seal, metal clad                | extension housing (2WD)   | 1   | 07-10 | n/a          | 20262-30504 |
| n/i                                  | Seal, metal clad                | adapter housing           | 1   | 07-10 | n/a          | 20262-30604 |
| <b>SEALING RINGS</b>                 |                                 |                           |     |       |              |             |
| K10                                  | Kit, sealing ring               | AS68RC/DG3-Aisin          | 1   | 07-10 | n/a          | 20262-31504 |
| <b>CLUTCH PLATES</b>                 |                                 |                           |     |       |              |             |
| A51                                  | Steel                           | K2 clutch                 | 5   | 07-09 | 68019747AA   | 20262-37504 |
| A52                                  | Friction                        | K2 clutch                 | 5   | 07-09 | 68019793AA   | 20262-35104 |
| B55                                  | Steel                           | K1 clutch                 | 6   | 07-09 | 68019775AA   | 20262-37604 |
| B56                                  | Friction                        | K1 clutch                 | 6   | 07-09 | 68019774AA   | 20262-35204 |
| C59                                  | Steel                           | K3 clutch                 | 6   | 07-09 | 68019747AA   | 20262-37504 |
| C60                                  | Friction                        | K3 clutch                 | 5   | 07-08 | 68019745AA   | 20262-35304 |
| E62                                  | Friction                        | B1 brake                  | 5   | 07-09 | 68019839AA   | 20262-35404 |
| E63                                  | Steel                           | B1 brake                  | 4   | 07-09 | 68019838AA   | 20262-37804 |
| F66                                  | Steel                           | B2 brake                  | 7   | 07-09 | 68019848AA   | 20262-37904 |
| F67                                  | Friction                        | B2 brake                  | 8   | 07-09 | 68019853AA   | 20262-35504 |
| <b>PRESSURE PLATES</b>               |                                 |                           |     |       |              |             |
| A70                                  | Pressure plate                  | K2 clutch                 | 1   | 07-10 | AE           | 20262-41103 |
| B72                                  | Pressure plate                  | K1 clutch                 | 1   | 07-10 | AE           | 20262-41403 |
| C73                                  | Pressure plate                  | K3 clutch                 | 1   | 07-10 | AE           | 20262-41804 |
| E75                                  | Pressure plate                  | B1 clutch                 | 1   | 07-10 | AE           | 20262-42304 |
| F76                                  | Pressure plate                  | B2 clutch                 | 1   | 07-10 | AE           | 20262-42704 |
| <b>FILTERS</b>                       |                                 |                           |     |       |              |             |
| K9                                   | Kit, filter                     | Aisin                     | 1   | 07-09 | AE           | 20262-44504 |
| G80                                  | Filter, oil screen              | Aisin                     | 1   | 07-09 | 68019688AA   | 20262-45004 |
| <b>BUSHINGS</b>                      |                                 |                           |     |       |              |             |
| K13                                  | Kit, bushing                    | AS68RC/DG3-Aisin          | 1   | 07-10 | n/a          | 20262-50004 |
| A90                                  | Bushing                         | pump body                 | 1   | 07-10 | n/a          | 20262-50604 |
| <b>WASHERS/BEARINGS/RACES/SHIMS</b>  |                                 |                           |     |       |              |             |
| K12                                  | Kit, thrust bearing             | AS68RC/DG3-Aisin          | 1   | 07-10 | n/a          | 20262-55104 |
| A120                                 | Washer, thrust                  | pump stator to K2 housing | 1   | 07-10 | 68019287AA   | 20262-56104 |
| B123                                 | Race, thrust                    | K2 housing to K2 housing  | sel | 07-10 | 68019766AA   | 20262-56404 |
| B125                                 | Bearing, thrust                 | K1 hub to K1 housing      | 1   | 07-10 | 68019764AA   | 20262-56604 |
| B126                                 | Bearing, thrust                 | K1 hub to hub             | 1   | 07-10 | 68019902AA   | 20262-56804 |
| B127                                 | Bearing, thrust                 | hub to sun gear #1        | 1   | 07-10 | n/a          | 20262-56904 |



# AS68RC•DG3-Aisin

AS68RC•DG3-Aisin

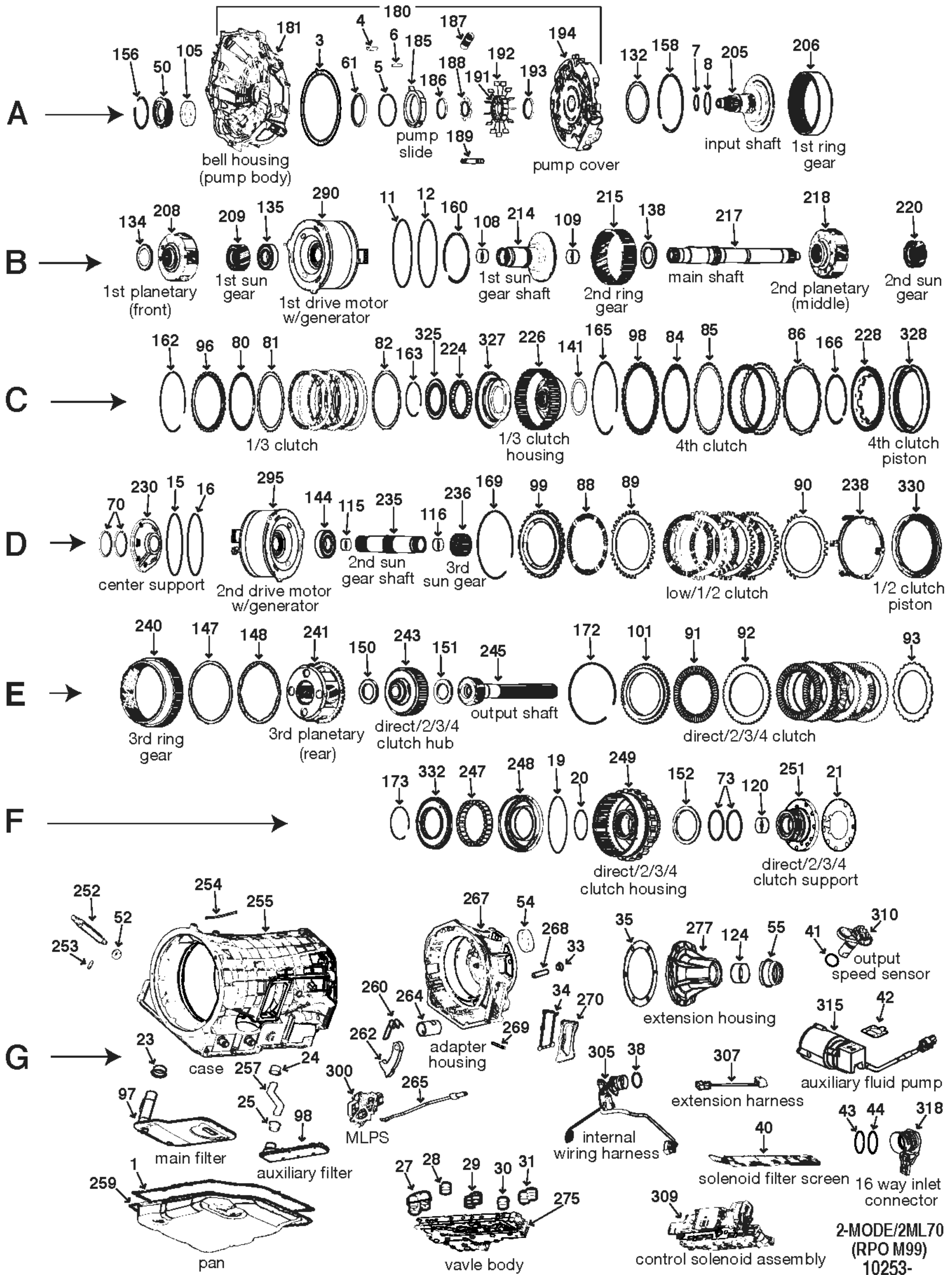
| ILL   | DESCRIPTION                                    | QTY | YEAR  | REFERENCE # | PART #      |
|---|--|-----|-------|-------------|-------------|
| <b>WASHERS/BEARINGS/RACES/SHIMS (CONTINUED)</b> |  |     |       |             |             |
| C129  | Bearing, thrust planetary #1 to hub            | 1   | 07-10 | n/a         | 20262-57404 |
| C131  | Bearing, thrust hub to K3 housing              | 1   | 07-10 | n/a         | 20262-57804 |
| D133  | Bearing, thrust hub with shaft to K3 housing   | 1   | 07-10 | n/a         | 20262-58004 |
| D134  | Bearing, thrust hub with shaft to planetary #2 | 1   | 07-10 | n/a         | 20262-58304 |
| D135  | Bearing, thrust planetary #2 to sun gear shaft | 1   | 07-10 | n/a         | 20262-58504 |
| D136  | Bearing, thrust planetary #2 to sun gear shaft | 1   | 07-10 | n/a         | 20262-58704 |
| D138  | Bearing, thrust sun gear shaft to planetary #3 | 1   | 07-10 | n/a         | 20262-59004 |
| D139  | Bearing, thrust planetary #3 to ring gear      | 1   | 07-10 | n/a         | 20262-59204 |
| D140  | Bearing, thrust planetary #3 to hub            | 1   | 07-10 | n/a         | 20262-59404 |
| F160  | Bearing, thrust output shaft to inner race     | 1   | 07-10 | n/a         | 20262-60104 |
| F163  | Bearing, ball type AS68RC/DG3-Aisin            | 1   | 07-10 | n/a         | 20262-60504 |
| <b>SNAP RINGS</b>                               |  |     |       |             |             |
| A170  | Snap ring K2 retainer                          | 1   | 07-10 | n/a         | 20262-62503 |
| A172  | Snap ring K2 pressure plate                    | 1   | 07-10 | n/a         | 20262-62803 |
| B174  | Snap ring K1 retainer                          | 1   | 07-10 | n/a         | 20262-62903 |
| B175  | Snap ring K1 pressure plate                    | 1   | 07-10 | n/a         | 20262-63003 |
| C177  | Snap ring planetary #1                         | 1   | 07-10 | n/a         | 20262-63203 |
| C178  | Snap ring ring gear #1 hub                     | 1   | 07-10 | n/a         | 20262-63503 |
| C179  | Snap ring K3 retainer                          | 1   | 07-10 | n/a         | 20262-63703 |
| D180  | Snap ring hub to ring gear #2                  | 1   | 07-10 | n/a         | 20262-64003 |
| D182  | Snap ring planetary #2 to ring gear #3         | 1   | 07-10 | n/a         | 20262-64203 |
| D183  | Snap ring outer sprag race to ring gear #3     | 1   | 07-10 | n/a         | 20262-64403 |
| E184  | Snap ring B1 pressure plate                    | 1   | 07-10 | n/a         | 20262-64603 |
| E185  | Snap ring B1 retainer                          | 1   | 07-10 | n/a         | 20262-64803 |
| F186  | Snap ring outer sprag to case                  | 1   | 07-10 | n/a         | 20262-65003 |
| F187  | Snap ring sprag to outer race                  | 1   | 07-10 | n/a         | 20262-65203 |
| F189  | Snap ring sprag to outer race                  | 1   | 07-10 | n/a         | 20262-65203 |
| F161  | Snap ring B2 retainer                          | 1   | 07-10 | n/a         | 20262-65503 |
| <b>PUMP PARTS AND PUMPS</b>                     |  |     |       |             |             |
| A200  | Pump assembly AS68RC/DG3-Aisin                 | 1   | 07-10 | AE          | 20262-67003 |
| A201  | Body, pump w/gears AS68RC/DG3-Aisin            | 1   | 07-10 | AE          | 20262-67503 |
| A202  | Gears, pump AS68RC/DG3-Aisin                   | 1   | 07-10 | n/a         | 20262-68104 |
| A203  | Stator, pump AS68RC/DG3-Aisin                  | 1   | 07-10 | AE          | 20262-68503 |
| <b>HARD PARTS</b>                               |  |     |       |             |             |
| A210  | Housing, K2 clutch AS68RC/DG3-Aisin            | 1   | 07-10 | 68025948AA  | 20262-72103 |
| A213  | Piston, K2 clutch AS68RC/DG3-Aisin             | 1   | 07-10 | 68019795AA  | 20262-72303 |
| A214  | Retainer, w/springs K2 clutch AS68RC/DG3-Aisin | 1   | 07-10 | 68019792AA  | 20262-72503 |
| A215  | Piston, balance K2 clutch AS68RC/DG3-Aisin     | 1   | 07-10 | 68019796AA  | 20262-72603 |
| B217  | Housing, w/shaft K1 clutch AS68RC/DG3-Aisin    | 1   | 07-10 | 68019771AA  | 20262-72703 |
| B218  | Piston, K1 clutch AS68RC/DG3-Aisin             | 1   | 07-10 | 68019772AA  | 20262-72903 |
| B219  | Retainer, w/springs K1 clutch AS68RC/DG3-Aisin | 1   | 07-10 | 68019770AA  | 20262-73103 |
| B221  | Hub, K1 clutch AS68RC/DG3-Aisin                | 1   | 07-10 | 68019785AA  | 20262-73303 |
| B223  | Hub, K2 clutch AS68RC/DG3-Aisin                | 1   | 07-10 | 68019788AA  | 20262-73503 |
| B225  | Gear, #1 sun AS68RC/DG3-Aisin                  | 1   | 07-10 | 68025949AA  | 20262-73703 |
| C228  | Planetary, #1 AS68RC/DG3-Aisin                 | 1   | 07-10 | 68019892AA  | 20262-74003 |
| C229  | Gear, #1 ring AS68RC/DG3-Aisin                 | 1   | 07-10 | 68019866AA  | 20262-74203 |
| C230  | Hub, #1 ring gear AS68RC/DG3-Aisin             | 1   | 07-10 | 68019867AA  | 20262-74403 |
| C233  | Retainer, w/springs K3 clutch AS68RC/DG3-Aisin | 1   | 07-10 | 68019792AA  | 20262-74603 |
| C232  | Piston, K3 clutch AS68RC/DG3-Aisin             | 1   | 07-10 | 68019795AA  | 20262-74703 |
| C234  | Housing, K3 clutch AS68RC/DG3-Aisin            | 1   | 07-10 | 68025948AA  | 20262-74803 |
| D237  | Hub, w/shaft #2 ring gear AS68RC/DG3-Aisin     | 1   | 07-10 | 68019889AA  | 20262-75003 |
| D238  | Gear, #2 ring AS68RC/DG3-Aisin                 | 1   | 07-10 | 68019875AA  | 20262-75203 |
| D240  | Planetary, #2 AS68RC/DG3-Aisin                 | 1   | 07-10 | 68019893AA  | 20262-75403 |

| ILL                           | DESCRIPTION                              |                                | QTY | YEAR  | REFERENCE # | PART #             |
|-------------------------------|--|--------------------------------|-----|-------|-------------|--------------------|
| <b>HARD PARTS (CONTINUED)</b> |  |                                |     |       |             |                    |
| D241                          | Shaft, w/sun gear                        | AS68RC/DG3-Aisin               | 1   | 07-10 | 68019891AA  | <b>20262-75603</b> |
| D243                          | Planetary, #3                            | AS68RC/DG3-Aisin               | 1   | 07-10 | 68019894AA  | <b>20262-75703</b> |
| D244                          | Gear, #3 ring                            | AS68RC/DG3-Aisin               | 1   | 07-10 | 68019884AA  | <b>20262-76003</b> |
| D246                          | Hub, w/inner sprag race #3 ring gear     | AS68RC/DG3-Aisin               | 1   | 07-10 | 68019878AA  | <b>20262-76203</b> |
| E250                          | Retainer, w/springs B1 clutch            | AS68RC/DG3-Aisin               | 1   | 07-10 | 68019800AA  | <b>20262-76503</b> |
| E251                          | Piston, B1 clutch                        | AS68RC/DG3-Aisin               | 1   | 07-10 | 68019811AA  | <b>20262-76703</b> |
| F255                          | Race, outer sprag                        | AS68RC/DG3-Aisin               | 1   | 07-10 | 68019896AA  | <b>20262-76903</b> |
| F257                          | Shaft, output 2WD                        | AS68RC/DG3-Aisin               | 1   | 07-10 | n/a         | <b>20262-77203</b> |
| F257                          | Shaft, output 4WD                        | AS68RC/DG3-Aisin               | 1   | 07-10 | n/a         | <b>20262-77403</b> |
| F260                          | Retainer, w/springs B2 clutch            | AS68RC/DG3-Aisin               | 1   | 07-10 | 68020042AA  | <b>20262-77503</b> |
| G265                          | Tube, dipstick                           | AS68RC/DG3-Aisin               | 1   | 07-10 | n/a         | <b>20262-80103</b> |
| G266                          | Housing, front case                      | AS68RC/DG3-Aisin               | 1   | 07-10 | 68020022AA  | <b>20262-80203</b> |
| G267                          | Housing, main case                       | AS68RC/DG3-Aisin               | 1   | 07-10 | 68020008AA  | <b>20262-80403</b> |
| G269                          | Pan, bottom                              | AS68RC/DG3-Aisin               | 1   | 07-10 | 68019654AA  | <b>20262-80703</b> |
| G270                          | Housing, extension 2WD                   | AS68RC/DG3-Aisin               | 1   | 07-10 | n/a         | <b>20262-80903</b> |
| G271                          | Housing, extension 4WD (adapter housing) | AS68RC/DG3-Aisin               | 1   | 07-10 | n/a         | <b>20262-81103</b> |
| G272                          | Body, valve w/solenoids                  | AS68RC/DG3-Aisin               | 1   | 07-10 | AE          | <b>20262-82003</b> |
| <b>ELECTRICAL COMPONENTS</b>  |  |                                |     |       |             |                    |
| G285                          | Sensor, input speed                      | AS68RC/DG3-Aisin               | 1   | 07-10 | 68020003AA  | <b>20262-88204</b> |
| G286                          | Sensor, output speed                     | AS68RC/DG3-Aisin               | 1   | 07-10 | n/a         | <b>20262-88504</b> |
| G295                          | Switch, range sensor (MLPS)              | AS68RC/DG3-Aisin               | 1   | 07-10 | 68020005AA  | <b>20262-89104</b> |
| n/i                           | Harness, wiring                          | AS68RC/DG3-Aisin               | 1   | 07-10 | 68020010AA  | <b>20262-90104</b> |
| n/i                           | Harness, wiring                          | AS68RC/DG3-Aisin               | 1   | 07-10 | 68020011AA  | <b>20262-90304</b> |
| <b>SPRAGS</b>                 |  |                                |     |       |             |                    |
| F255                          | Sprag assembly                           | inner/outer/sprag w/snap rings | 1   | 07-10 | AE          | <b>2026-95003</b>  |
| F310                          | Sprag, F1                                | AS68RC/DG3-Aisin               | 1   | 07-10 | 68019697AA  | <b>20262-94004</b> |
| <b>BONDED PISTONS</b>         |  |                                |     |       |             |                    |
| B315                          | Piston, balance K1 clutch bonded rubber  | AS68RC/DG3-Aisin               | 1   | 07-10 | 68019773AA  | <b>20262-96304</b> |
| C317                          | Piston, balance K3 clutch bonded rubber  | AS68RC/DG3-Aisin               | 1   | 07-10 | 68019744AA  | <b>20262-96504</b> |
| F319                          | Piston, B2 clutch bonded rubber          | AS68RC/DG3-Aisin               | 1   | 07-10 | 68020131AA  | <b>20262-96704</b> |
| <b>NOTES</b>                  |  |                                |     |       |             |                    |
|                               |  |                                |     |       |             |                    |
|                               |  |                                |     |       |             |                    |
|                               |  |                                |     |       |             |                    |
|                               |  |                                |     |       |             |                    |
|                               |  |                                |     |       |             |                    |
|                               |  |                                |     |       |             |                    |
|                               |  |                                |     |       |             |                    |
|                               |  |                                |     |       |             |                    |
|                               |  |                                |     |       |             |                    |
|                               |  |                                |     |       |             |                    |
|                               |  |                                |     |       |             |                    |
|                               |  |                                |     |       |             |                    |
|                               |  |                                |     |       |             |                    |
|                               |  |                                |     |       |             |                    |
|                               |  |                                |     |       |             |                    |
|                               |  |                                |     |       |             |                    |
|                               |  |                                |     |       |             |                    |
|                               |  |                                |     |       |             |                    |
|                               |  |                                |     |       |             |                    |
|                               |  |                                |     |       |             |                    |
|                               |  |                                |     |       |             |                    |

AS68RC•DG3-Aisin

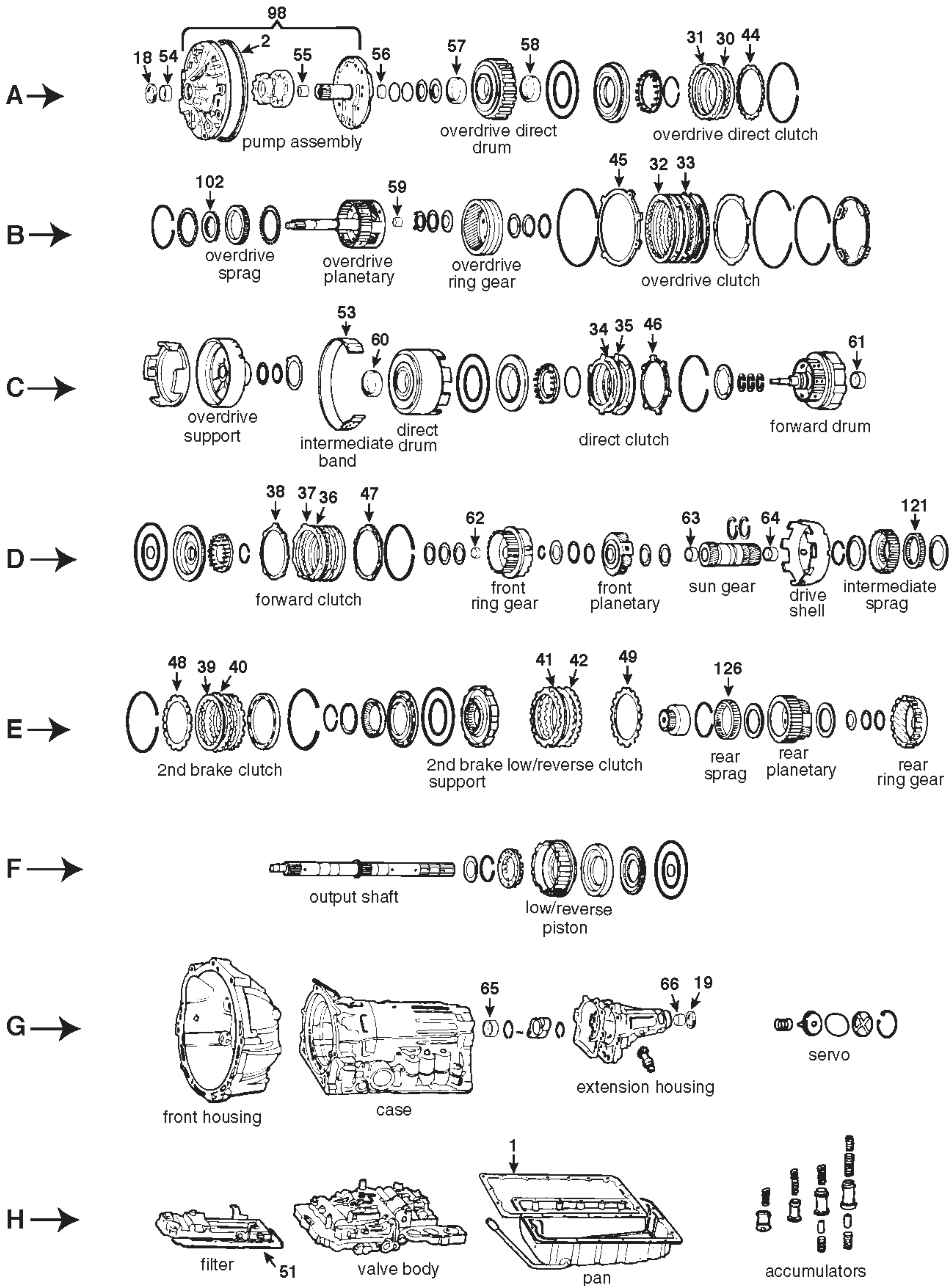
# 2ML70•2-MODE (RPO M99)•AHS-T

2ML70•2-MODE•AHS-T



| ILL                                  | DESCRIPTION   | QTY | YEAR  | REFERENCE # | PART #      |
|--------------------------------------|---|-----|-------|-------------|-------------|
| <b>TECHNICAL MANUALS</b>             |   |     |       |             |             |
| K53                                  | Tech manual 2ML70/MODE dis/assembly diagnosis/troubleshooting | 1   | 08-10 | n/a         | 010-330     |
| <b>REBUILDER KITS</b>                |   |     |       |             |             |
| K5                                   | Master kit w/steels w/pistons                                 | 1   | 08-10 | AE          | 10253-11004 |
| K5                                   | Master kit w/steels w/o pistons                               | 1   | 08-10 | AE          | 10253-11104 |
| K6                                   | Master kit w/o steels w/pistons                               | 1   | 08-10 | AE          | 10253-12004 |
| K6                                   | Master kit w/o steels w/o pistons                             | 1   | 08-10 | AE          | 10253-12104 |
| K7                                   | O/H gasket set w/seals-rings w/pistons                        | 1   | 08-10 | n/a         | 10253-13004 |
| K7                                   | O/H gasket set w/seals-rings w/o pistons                      | 1   | 08-10 | n/a         | 10253-13104 |
| <b>GASKETS AND RUBBER COMPONENTS</b> |   |     |       |             |             |
| G1                                   | Gasket, oil pan molded rubber                                 | 1   | 08-10 | n/a         | 10253-20004 |
| A3                                   | Gasket pump   | 1   | 08-10 | n/a         | 10253-28004 |
| <b>METAL CLAD SEALS</b>              |   |     |       |             |             |
| A50                                  | Seal, metal clad front  | 1   | 08-10 | n/a         | 10253-30004 |
| G55                                  | Seal, metal clad rear   | 1   | 08-10 | n/a         | 10253-30005 |
| G54                                  | Seal, metal clad adapter housing                              | 1   | 08-10 | n/a         | 10253-30006 |
| <b>SEALING RINGS</b>                 |   |     |       |             |             |
| K10                                  | Kit, sealing ring sealing rings                               | 1   | 08-10 | n/a         | 10253-31504 |
| <b>CLUTCH PLATES</b>                 |   |     |       |             |             |
| C80                                  | Friction 1st/3rd clutch                                       | 4   | 08-10 | n/a         | 10253-35104 |
| C81                                  | Steel 1st/3rd clutch  | 4   | 08-10 | n/a         | 10253-37504 |
| C82                                  | Steel, waved 1st/2nd clutch                                   | 1   | 08-10 | n/a         | 10253-40704 |
| C84                                  | Friction 4th clutch   | 2   | 08-10 | n/a         | 10253-35204 |
| C85                                  | Steel 4th clutch  | 2   | 08-10 | n/a         | 10253-37604 |
| C86                                  | Steel, waved 4th clutch                                       | 1   | 08-10 | n/a         | 10253-40804 |
| D88                                  | Friction 1st/2nd clutch                                       | 4   | 08-10 | n/a         | 10253-35304 |
| D89                                  | Steel 1st/2nd clutch  | 4   | 08-10 | n/a         | 10253-37704 |
| D90                                  | Steel, waved 1st/2nd clutch                                   | 1   | 08-10 | n/a         | 10253-40904 |
| E91                                  | Friction 2nd/3rd/4th clutch                                   | 4   | 08-10 | n/a         | 10253-35404 |
| E92                                  | Steel 2nd/3rd/4th clutch                                      | 4   | 08-10 | n/a         | 10253-37804 |
| D93                                  | Steel, waved 2nd/3rd/4th clutch                               | 1   | 08-10 | n/a         | 10253-41004 |
| <b>PRESSURE PLATES</b>               |   |     |       |             |             |
| C96                                  | Pressure plate 1st/3rd clutch                                 | 1   | 08-10 | n/a         | 10253-41103 |
| C98                                  | Pressure plate 4th clutch                                     | 1   | 08-10 | n/a         | 10253-41603 |
| D99                                  | Pressure plate 1st/2nd clutch                                 | 1   | 08-10 | n/a         | 10253-42103 |
| E101                                 | Pressure plate 2nd/3rd/4th clutch                             | 1   | 08-10 | n/a         | 10253-42603 |
| <b>FILTERS</b>                       |   |     |       |             |             |
| K10                                  | Kit, filter 2WD   | 1   | 08-10 | AE          | 10253-44504 |
| K10                                  | Kit, filter 4WD   | 1   | 08-10 | AE          | 10253-44604 |
| G97                                  | Filter 2WD  | 1   | 08-10 | n/a         | 10253-45004 |
| G97                                  | Filter 4WD  | 1   | 08-10 | n/a         | 10253-45104 |
| G98                                  | Filter, auxiliary all   | 1   | 08-10 | AE          | 10253-45504 |
| <b>BUSHINGS</b>                      |   |     |       |             |             |
| K13                                  | Kit, bushing bushing kit                                      | 1   | 08-10 | AE          | 10253-50004 |
| <b>WASHERS/BEARINGS/RACES/SHIMS</b>  |   |     |       |             |             |
| K12                                  | Kit, thrust bearing thrust bearings                           | 1   | 08-10 | AE          | 10253-55104 |
| <b>PUMP PARTS AND PUMPS</b>          |   |     |       |             |             |
| A180                                 | Pump assembly exchange needed                                 | 1   | 08-10 | AE          | 10253-67003 |
| <b>BONDED PISTONS</b>                |   |     |       |             |             |
| C327                                 | Piston, bonded rubber 1st/3rd clutch                          | 1   | 08-10 | n/a         | 10253-96104 |
| C328                                 | Piston, bonded rubber 4th clutch                              | 1   | 08-10 | n/a         | 10253-96304 |
| D330                                 | Piston, bonded rubber 1st/2nd clutch                          | 1   | 08-10 | n/a         | 10253-96504 |
| F332                                 | Piston, bonded rubber 2nd/3rd/4th clutch                      | 1   | 08-10 | n/a         | 10253-97004 |





A340•A341E•A343E•A350•AW4•AW30-40LE  
54000/J/X/W

| ILL                      | DESCRIPTION                         |  | QTY | YEAR  | REFERENCE # | PART #    |
|--------------------------|-------------------------------------|--|-----|-------|-------------|-----------|
| <b>TECHNICAL MANUALS</b> |                                     |  |     |       |             |           |
| K53                      | Tech manual A340E Trooper/Rodeo     | dis/assembly (diagnosis/troubleshooting) | 1   | 85-10 | 83-3080LETM | 010-410   |
| K53                      | Tech manual A340H/A55 transfer case | dis/assembly (diagnosis/troubleshooting) | 1   | 85-92 | 83-34055TM  | 010-705   |
| <b>REBUILDER KITS</b>    |                                     |  |     |       |             |           |
| K5                       | Master kit w/steels                 | All pickups/4 Runner/Trooper             | 1   | 85-92 | AE          | K5400     |
| K5                       | Master kit w/steels                 | Cresida/Supra (w/o turbo)                | 1   | 85-92 | AE          | K5400A    |
| K5                       | Master kit w/steels                 | Pickup/4 Runner (with L/4)               | 1   | 93-95 | AE          | K5400B    |
| K5                       | Master kit w/steels                 | PU/4 Runner/T100 (with V/6)              | 1   | 93-95 | AE          | K5400C    |
| K5                       | Master kit w/steels                 | SC 300                                   | 1   | 92-95 | AE          | K5400C    |
| K5                       | Master kit w/steels                 | Supra w/o turbo                          | 1   | 93-98 | AE          | K5400C    |
| K5                       | Master kit w/steels                 | Previa 2WD                               | 1   | 93-97 | AE          | K5400C    |
| K5                       | Master kit w/steels                 | Montero (wth V/6 3.0)L                   | 1   | 94-95 | AE          | K5400E    |
| K5                       | Master kit w/steels                 | T100/Tacoma (with L/4)                   | 1   | 95-99 | AE          | K5400F    |
| K5                       | Master kit w/steels                 | 4 Runner (with L/4)                      | 1   | 96-04 | AE          | K5400F    |
| K5                       | Master kit w/steels                 | Montero Sport (with V/6 3.0L)            | 1   | 97-98 | AE          | K5400F    |
| K5                       | Master kit w/steels                 | SC 300                                   | 1   | 96-99 | AE          | K5400G    |
| K5                       | Master kit w/steels                 | Supra w/turbo                            | 1   | 86-92 | AE          | K5400H    |
| K5                       | Master kit w/steels                 | Previa AWD/Montero (with V/6 3.5L)       | 1   | 93-95 | AE          | K5400J    |
| K5                       | Master kit w/steels                 | T100/Tacoma (with V/6)                   | 1   | 95-99 | AE          | K5400K    |
| K5                       | Master kit w/steels                 | 4 Runner (with V/6)                      | 1   | 96-04 | AE          | K5400K    |
| K5                       | Master kit w/steels                 | Montero with V/6 3.5L                    | 1   | 96-98 | AE          | K5400K    |
| K5                       | Master kit w/steels                 | Supra w/turbo/LS 400/SC 400              | 1   | 93-98 | AE          | K5400L    |
| K5                       | Master kit w/steels                 | LS 400 SC 400/GS 300                     | 1   | 90-94 | AE          | K5400M    |
| K5                       | Master kit w/steels                 | GS 300                                   | 1   | 93-94 | AE          | K5400N    |
| K5                       | Master kit w/steels                 | GS 300                                   | 1   | 95-95 | AE          | K5400P    |
| K5                       | Master kit w/steels                 | Volvo                                    | 1   | 92-98 | AE          | K5400R    |
| K5                       | Master kit w/steels                 | Tacoma Regular Cab (A340/343E)           | 1   | 00-10 | AE          | K5400Y    |
| K5                       | Master kit w/steels                 | LX 450/LX 470/Land Cruiser (A343F)       | 1   | 95-99 | AE          | K5400W    |
| K5                       | Master kit w/steels                 | A350E (GS 300)                           | 1   | 96-97 | AE          | K5400X    |
| K5                       | Master kit w/steels                 | transfer case only                       | 1   | 85-91 | AE          | K5400T    |
| K6                       | Master kit w/o steels               | PU/Runner                                | 1   | 85-95 | AE          | K5400-LS  |
| K6                       | Master kit w/o steels               | Cresida/Supra w/o turbo                  | 1   | 85-98 | AE          | K5400-LS  |
| K6                       | Master kit w/o steels               | Trooper                                  | 1   | 88-91 | AE          | K5400-LS  |
| K6                       | Master kit w/o steels               | SC 300                                   | 1   | 92-95 | AE          | K5400-LS  |
| K6                       | Master kit w/o steels               | T100                                     | 1   | 93-95 | AE          | K5400-LS  |
| K6                       | Master kit w/o steels               | Previa 2WD                               | 1   | 93-97 | AE          | K5400-LS  |
| K6                       | Master kit w/o steels               | Montero/Sport (with V/6 3.0L)            | 1   | 94-98 | AE          | K5400D-LS |
| K6                       | Master kit w/o steels               | T100/Tacoma/4 runner                     | 1   | 96-04 | AE          | K5400D-LS |
| K6                       | Master kit w/o steels               | SC 300                                   | 1   | 96-00 | AE          | K5400D-LS |
| K6                       | Master kit w/o steels               | Supra w/turbo                            | 1   | 86-92 | AE          | K5400H-LS |
| K6                       | Master kit w/o steels               | Previa AWD                               | 1   | 93-95 | AE          | K5400H-LS |
| K6                       | Master kit w/o steels               | Montero (with V/6 3.5L)                  | 1   | 94-98 | AE          | K5400H-LS |
| K6                       | Master kit w/o steels               | T100/Tacoma/4 Runner (with V/6)          | 1   | 95-04 | AE          | K5400H-LS |
| K6                       | Master kit w/o steels               | LS 400/SC 400                            | 1   | 90-97 | AE          | K5400L-LS |
| K6                       | Master kit w/o steels               | GS300                                    | 1   | 93-95 | AE          | K5400L-LS |
| K6                       | Master kit w/o steels               | Supra w/turbo                            | 1   | 93-98 | AE          | K5400L-LS |
| K6                       | Master kit w/o steels               | GS 300                                   | 1   | 93-95 | AE          | K5400L-LS |
| K6                       | Master kit w/o steels               | Volvo                                    | 1   | 92-98 | AE          | K5400L-LS |
| K6                       | Master kit w/o steels               | LX 450/LX 470/Land Cruiser (A343F)       | 1   | 95-99 | AE          | K5400W-LS |
| K6                       | Master kit w/o steels               | GS 300 (A350E)                           | 1   | 96-97 | AE          | K5400X-LS |
| K6                       | Master kit w/o steels               | Tacoma Regular Cab (A340/343E)           | 1   | 00-10 | AE          | K5400Y-LS |
| K6                       | Master kit w/o steels               | transfer case only                       | 1   | 85-94 | AE          | K5400T-LS |
| K7                       | O/H gasket set w/seals-rings        | A340H/E                                  | 1   | 94-01 | AE          | K54900    |
| K7                       | O/H gasket set w/seals-rings        | A343F/A350E                              | 1   | 95-99 | AE          | K54900W   |

# A340•340•A341E•A343E•A350•AW30-40LE

A340•A341E•A343E•A350•AW30-40LE

| ILL                                  | DESCRIPTION                             | QTY                                      | YEAR | REFERENCE # | PART #       |         |
|--------------------------------------|---|--|------|-------------|--------------|---------|
| <b>REBUILDER KITS (CONTINUED)</b>    |   |  |      |             |              |         |
| K7                                   | O/H gasket set w/seals-rings            | A340/343E                                | 1    | 00-10       | AE           | K54900Y |
| K7                                   | O/H gasket set w/seals-rings            | transfer case only                       | 1    | 85-99       | AE           | K54900T |
| <b>GASKETS AND RUBBER COMPONENTS</b> |   |  |      |             |              |         |
| H1                                   | Gasket, transmission oil pan            | neoprene/cork                            | 1    | 85-10       |              | 13810X  |
| H1                                   | Gasket, transmission oil pan            | Duraprene®                               | 1    | 85-10       |              | 13810D  |
| A2                                   | O'ring                                  | pump to case                             | 1    | 85-10       | 90301-99033  | 1082    |
| n/i                                  | Gasket, Transfer case pan               | neoprene/cork                            | 1    | 85-91       | 35178-30010  | 13820X  |
| n/i                                  | Gasket, Transfer case pan               | Duraprene®                               | 1    | 85-91       | 35178-30010f | 13820D  |
| n/i                                  | Gasket, filter spacer                   | 4WD                                      | 1    | 85-10       | 35336-60010  | 23004   |
| n/i                                  | Gasket, filter                          | 2WD                                      | 1    | 85-10       | 35339-30070  | 23005   |
| n/i                                  | O'ring                                  | filler tube                              | 1    | 85-10       | 90301-09011  | 23009   |
| n/i                                  | O'ring                                  | A350E (filler tube)                      | 1    | 96-10       | 90301-09173  | 13103   |
| <b>METAL CLAD SEALS</b>              |   |  |      |             |              |         |
| A18                                  | Seal, metal clad                        | front                                    | 1    | 85-10       | 90311-38129  | 46200   |
| G19                                  | Seal, metal clad                        | except below (extension housing)         | 1    | 85-10       | 90311-40001  | 42201   |
| G19                                  | Seal, metal clad                        | Cressida (extension housing)             | 1    | 86-87       | 90311-38040  | 42201A  |
| G19                                  | Seal, metal clad 2.170" od (not in kit) | Lexus w/A341E/A350E (extension housing)  | 1    | 90-10       | 90311-42024  | 46201   |
| G19                                  | Seal, metal clad 2.170" od (not in kit) | Volvo (extension housing)                | 1    | 93-10       | 3549226-3    | 46201   |
| n/i                                  | Seal, metal clad (not in kit)           | A340F (adapter housing)                  | 1    | 90-94       | 90311-40007  | 54152   |
| n/i                                  | Seal, metal clad (not in kit)           | A340F (adapter housing)                  | 1    | 95-99       | 90311-48016  | 77203   |
| n/i                                  | Seal, metal clad                        | speedo driven gear (S type)              | 1    | 85-10       | 90310-09001  | 46203   |
| n/i                                  | Seal, metal clad 12x22x7mm              | manual lever shaft                       | 1/3  | 85-10       | 90311-12002  | 46202   |
| n/i                                  | Seal, metal clad                        | output flange transfer case (front/rear) | 2    | 85-94       | 90316-40001  | 54154   |
| n/i                                  | Seal, metal clad                        | chain case (front and rear except V/6)   | 2    | 85-88       | 90316-58002  | 54156   |
| n/i                                  | Seal, metal clad                        | chain case (front/rear outer V/6 11/87)  | 1    | 89-10       | 90310-58001  | 54155   |
| n/i                                  | Seal, metal clad                        | chain case (front/rear outer V/6 11/87)  | 1    | 89-10       | 90310-77001  | 54157   |
| n/i                                  | Seal, metal clad                        | adapter housing                          | 1    | 00-10       | n/a          | 54158   |
| n/i                                  | Seal, metal clad                        | A350E (output shaft to prop shaft yoke)  | 1    | 96-97       | 90311-24001  | 54159   |
| <b>SEALING RINGS</b>                 |   |  |      |             |              |         |
| K10                                  | Kit, sealing ring                       | A340H/E                                  | 1    | 85-10       | AE           | K54300  |
| K10                                  | Kit, sealing ring                       | A343F/A350E                              | 1    | 95-10       | AE           | K54300W |
| <b>CLUTCH PLATES</b>                 |   |  |      |             |              |         |
| A30                                  | Friction .083" 4.973" od 32T            | overdrive direct clutch                  | 2    | 85-10       | 35633-30040  | 54101   |
| A31                                  | Steel .079" 4.127" id 24T               | overdrive direct clutch                  | 1/2  | 85-10       | 34616-30010  | 54107   |
| A31                                  | Steel .118" 4.127" id 24T               | Lexus (overdrive direct clutch)          | 1    | 90-94       | 34616-50010  | 54112   |
| A31                                  | Steel .098" 4.127" id 24T               | Volvo (overdrive direct clutch)          | 1    | 92-98       | 3549181-0    | 54107A  |
| B32                                  | Friction .081" 6.529" od 24T            | overdrive clutch                         | 3/5  | 85-10       | 35633-50010  | 54100   |
| B33                                  | Steel .079" 5.634" id 6T                | small od overdrive clutch                | 3/4  | 85-10       | 34634-30030  | 54106   |
| B33                                  | Steel .078" 5.634" id 6T                | Volvo (large od overdrive direct clutch) | 3/4  | 92-98       | 34634-30021  | 54106A  |
| C34                                  | Friction .083" 5.178" od 40T (waved)    | direct clutch                            | 3/5  | 85-10       | 35677-50030  | 54102   |
| C35                                  | Steel .118" 4.127" id 6T                | direct clutch                            | 3/4  | 85-10       | 35647-14010  | 54108   |
| C35                                  | Steel .091" 4.127" id 6T                | direct clutch                            | 1/4  | 85-10       | 35647-30011  | 54124   |
| C35                                  | Steel .091" 4.127" id 24T               | direct clutch                            | 4    | 00-10       | 35647-22030  | 54136   |
| C35                                  | Steel .071" 4.127" id 6T                | direct clutch                            | 4    | 93-10       | 35634-32020  | 75137   |
| D36                                  | Friction .067" 4.973" od 40T            | forward clutch                           | 6    | 85-10       | 35677-14010  | 54103   |
| D36                                  | Friction .083" 4.973" od 40T            | forward clutch                           | 4/5  | 85-97       | 35677-30090  | 54103A  |
| D36                                  | Friction .075" 4.973" od 40T            | forward clutch                           | 6/7  | 90-98       | 35677-50010  | 54103B  |
| D36                                  | Friction .079" 4.973" od 40T            | forward clutch                           | 5    | 87-10       | 35677-30170  | 54103C  |
| D37                                  | Steel .079" 4.138" id 8T                | forward clutch                           | 5    | 85-10       | 35634-30100  | 54109   |
| D37                                  | Steel .071" 4.138" id 8T                | forward clutch                           | 6/7  | 85-10       | 35634-32020  | 75101   |
| D37                                  | Steel .091" 4.138" id 8T                | forward clutch                           | 4/6  | 92-10       | 35634-30110  | 54109A  |
| D38                                  | Steel, cushion plate                    | forward clutch                           | ar   | 85-10       | 35672-50010  | 54111   |
| E39                                  | Friction .081" 5.178" od 32T            | 2nd brake clutch                         | 4/5  | 85-10       | 35667-50020  | 54104   |

# A340•340•A341E•A343E•A350•AW30-40LE

A340•A341E•A343E•A350•AW30-40LE

| ILL                              | DESCRIPTION                            | QTY   | YEAR | REFERENCE # | PART #      |          |
|----------------------------------|--|---|------|-------------|-------------|----------|
| <b>CLUTCH PLATES (CONTINUED)</b> |  |   |      |             |             |          |
| E40                              | Steel .071" 4.152" id 16T              | 2nd brake clutch                            | 1    | 85-10       | 35647-30030 | 54110    |
| E40                              | Steel .098" 4.152" id 16T              | 2nd brake clutch                            | 4    | 85-10       | 35647-30020 | 54110A   |
| E41                              | Friction .067" 5.092" od 32T           | low/reverse clutch                          | 6/7  | 85-10       | 35677-30110 | 54105    |
| E42                              | Steel .071" 4.319" id 15T              | low/reverse clutch                          | 5/7  | 85-10       | 35648-30031 | 54114    |
| n/i                              | Friction .067" 5.597" od 44T           | transfer case (direct clutch)               | 5/7  | 85-91       | 35653-35020 | 54120    |
| n/i                              | Steel .071" 4.580" id 29T              | transfer case (direct clutch)               | 5/7  | 85-91       | 34656-35010 | 54122    |
| n/i                              | Steel .100" 4.580" id 29T              | transfer case (direct clutch)               | ar   | 85-91       | 34656-35020 | 54122A   |
| n/i                              | Friction .067" 6.808" od 53T           | transfer case (low clutch)                  | 4/7  | 85-91       | 35683-35020 | 54121    |
| n/i                              | Steel .071" 5.954" id 8T               | transfer case (low clutch)                  | 4/6  | 85-91       | 34686-35010 | 54123    |
| n/i                              | Steel, cushion plate                   | transfer case (low clutch)                  | 1    | 85-91       | 34687-35010 | 54115    |
| n/i                              | Friction .067" 5.597" od 44T           | transfer case (front drive)                 | 5/7  | 85-91       | 35653-35020 | 54120    |
| n/i                              | Steel .071" 4.580" id 29T              | transfer case (front drive)                 | 6/7  | 85-91       | 34656-35010 | 54122    |
| n/i                              | Steel .100" 4.580" id 29T              | transfer case (front drive)                 | ar   | 85-91       | 35656-35020 | 54122A   |
| <b>PRESSURE PLATES</b>           |  |   |      |             |             |          |
| A44                              | Pressure plate .122" 3.1mm             | overdrive direct clutch                     | sel  | 85-10       | 34615-30070 | 54127-R  |
| B45                              | Pressure plate .130" 3.3mm             | overdrive brake clutch                      | sel  | 85-10       | 34625-30090 | 54130-R  |
| B45                              | Pressure plate .138" 3.5mm             | overdrive brake clutch                      | sel  | 85-10       | 34625-30080 | 54130A-R |
| B45                              | Pressure plate .142" 3.6mm             | overdrive brake clutch                      | sel  | 85-10       | 34625-30070 | 54130B-R |
| B45                              | Pressure plate .146" 3.7mm             | overdrive brake clutch                      | sel  | 85-10       | 34625-30060 | 54130C-R |
| B45                              | Pressure plate .150" 3.8mm             | overdrive brake clutch                      | sel  | 85-10       | 34625-30050 | 54130D-R |
| B45                              | Pressure plate .154" 3.9mm             | overdrive brake clutch                      | sel  | 85-10       | 34625-30040 | 54130E-R |
| B45                              | Pressure plate .159" 4.0mm             | overdrive brake clutch                      | sel  | 85-10       | 34625-30100 | 54130F-R |
| C46                              | Pressure plate .110" 2.8mm             | direct clutch                               | sel  | 85-10       | 35675-30111 | 75716A-R |
| D47                              | Pressure plate .118" 3.0mm             | forward clutch                              | sel  | 85-10       | 35635-50030 | 75716B-R |
| E48                              | Pressure plate                         | 2nd clutch                                  | 1    | 85-10       | 35676-30020 | 54128-R  |
| E49                              | Pressure plate .158" 4.0mm             | low/reverse clutch                          | sel  | 85-10       | 35676-50060 | 54129-R  |
| E49                              | Pressure plate .166" 4.2mm             | low/reverse clutch                          | sel  | 85-10       | 34676-50050 | 54129A-R |
| E49                              | Pressure plate .174" 4.4mm             | low/reverse clutch                          | sel  | 85-10       | 35676-50040 | 54129B-R |
| n/i                              | Pressure plate                         | transfer case (direct)                      | sel  | 85-10       | 34655-35010 | 54131-R  |
| n/i                              | Pressure plate                         | transfer case (front drive)                 | sel  | 85-10       | 34655-35010 | 54125-R  |
| n/i                              | Pressure plate                         | transfer case (low spd brake apply/backing) | 2    | 85-10       | 34685-35010 | 54126-R  |
| <b>FILTERS</b>                   |  |   |      |             |             |          |
| K9                               | Kit, filter                            | A340E (2WD)(neoprene/cork)                  | 1    | 85-10       | AE          | FK54800  |
| K9                               | Kit, filter                            | A340E (2WD)(Duraprene®)                     | 1    | 85-10       | AE          | DK54800  |
| K9                               | Kit, filter                            | A340H (4WD)(neoprene/cork)                  | 1    | 85-10       | AE          | FK54800A |
| K9                               | Kit, filter                            | A340H (4WD)(Duraprene®)                     | 1    | 85-10       | AE          | DK54800A |
| K9                               | Kit, filter (A341E)(neoprene/cork)     | GS300/LS400/SC400/Supra w/turbo             | 1    | 96-10       | AE          | FK54800C |
| K9                               | Kit, filter (A341E)(Duraprene®)        | GS300/LS400/SC400/Supra w/turbo             | 1    | 96-10       | AE          | DK54800C |
| K9                               | Kit, filter A340E                      | Lexus GS300 (neoprene/cork)                 | 1    | 93-95       | AE          | FK54800G |
| K9                               | Kit, filter A340E                      | Lexus GS300 (Duraprene®)                    | 1    | 93-95       | AE          | DK54800G |
| K9                               | Kit, filter A340F (4WD)                | PU/4 Runner (neoprene/cork)                 | 1    | 96-97       | AE          | FK54800F |
| K9                               | Kit, filter A340F (4WD)                | PU/4 Runner (Duraprene®)                    | 1    | 96-97       | AE          | DK54800F |
| K9                               | Kit, filter A340F (4WD)                | T100/Tacoma (neoprene/cork)                 | 1    | 95-10       | AE          | FK54800D |
| K9                               | Kit, filter A340F (4WD)                | T100/Tacoma (Duraprene®)                    | 1    | 95-10       | AE          | DK54800D |
| K9                               | Kit, filter A343F (4WD)(neoprene/cork) | Lexus/Land Cruiser/Tacoma/4 Runner          | 1    | 95-10       | AE          | FK54800E |
| K9                               | Kit, filter A343F (4WD)(Duraprene®)    | Lexus/Land Cruiser/Tacoma/4 Runner          | 1    | 95-10       | AE          | DK54800E |
| K9                               | Kit, filter A340E/F (4WD)              | Lexus/Land Cruiser/Tundra V8 (neop/cork)    | 1    | 98-10       | AE          | FK54800H |
| K9                               | Kit, filter A340E/F (4WD)              | Lexus/Land Cruiser/Tundra V8 (Duraprene®)   | 1    | 98-10       | AE          | DK54800H |
| K9                               | Kit, filter A350E                      | Lexus GS300 (neoprene/cork)                 | 1    | 96-10       | AE          | FK54800J |
| K9                               | Kit, filter A350E                      | Lexus GS300 Duraprene®                      | 1    | 96-10       | AE          | DK54800J |
| H51                              | Filter, A340E (2WD)                    | Supra 2WD                                   | 1    | 85-10       | 35330-30011 | 54800    |
| H51                              | Filter, A340H (4WD)                    | A340E                                       | 1    | 85-10       | 35303-35010 | 54800A   |
| H51                              | Filter, A341E                          | Lexus GS 300/LS 400/SC 400/Supra w/turbo    | 1    | 96-10       | 35330-50010 | 54800C   |



# A340•340•A341E•A343E•A350•AW30-40LE

A340•A341E•A343E•A350•AW30-40LE

| ILL                          | DESCRIPTION                               |   | QTY | YEAR  | REFERENCE # | PART #   |
|------------------------------|---|---|-----|-------|-------------|----------|
| <b>FILTERS (CONTINUED)</b>   |   |   |     |       |             |          |
| H51                          | Filter, A340E                             | Lexus GS 300                            | 1   | 93-95 | 35330-30020 | 54800G   |
| H51                          | Filter, A340F (4WD)                       | PU/4 Runner                             | 1   | 96-97 | 35330-35020 | 54800F   |
| H51                          | Filter, A340F (4WD)                       | T100/Tacoma w/3/8" neck/Kia Sorento     | 1   | 95-10 | 35330-22010 | 54800D   |
| H51                          | Filter, A343 (4WD)                        | Lexus/Land Cruiser/Tacoma/4 Runner      | 1   | 95-10 | 35330-60020 | 54800E   |
| H51                          | Filter, A340E/F/A343F (4WD)               | Lexus/Land Cruiser/Tundra V8            | 1   | 98-10 | 35330-60030 | 54800H   |
| H51                          | Filter, A350E                             | Lexus GS 300                            | 1   | 96-10 | 35330-30040 | 54800J   |
| <b>BANDS</b>                 |   |   |     |       |             |          |
| C53                          | Band                                      | brake (intermediate)                    | 1   | 85-10 | 35810-30020 | 54700    |
| <b>BUSHINGS</b>              |   |   |     |       |             |          |
| K13                          | Kit, bushing                              | A340H/E                                 | 1   | 85-10 | AE          | K54901   |
| A54                          | Bushing                                   | pump body                               | 1   | 85-10 |             | 46001    |
| A55                          | Bushing 17mm 21.561mm bore                | stator support (front)                  | 1   | 85-10 |             | 46007A   |
| A56                          | Bushing                                   | stator support (rear)                   | 1   | 85-10 |             | 54002    |
| A57                          | Bushing                                   | overdrive direct drum (front)           | 1   | 85-10 |             | 54003    |
| A58                          | Bushing                                   | overdrive direct drum (rear)            | 1   | 85-10 |             | 54004    |
| B59                          | Bushing                                   | overdrive planetary                     | 1   | 85-10 |             | 54005    |
| C60                          | Bushing                                   | direct drum                             | 1   | 85-10 |             | 54006    |
| C61                          | Bushing                                   | forward drum                            | 1   | 85-10 |             | 54007    |
| D62                          | Bushing                                   | ring gear (front planetary)             | 1   | 85-10 |             | 54008    |
| D63                          | Bushing                                   | sun gear (front)                        | 1   | 85-10 |             | 54009    |
| D64                          | Bushing                                   | sun gear (rear)                         | 1   | 85-10 |             | 54010    |
| G65                          | Bushing (babbit) 38.113mm bore            | case                                    | 1   | 85-10 |             | 12502    |
| G66                          | Bushing w/38mm yoke                       | extension housing                       | 1   | 85-10 |             | 46006    |
| G66                          | Bushing w/35mm yoke (not in kit)          | extension housing                       | 1   | 85-10 |             | 46006A   |
| G66                          | Bushing w/40mm yoke (not in kit)          | extension housing                       | 1   | 85-10 |             | 54014    |
| n/i                          | Bushing (not in kit)                      | transfer case direct drum               | 1   | 85-10 |             | 54020    |
| <b>PUMP PARTS AND PUMPS</b>  |   |   |     |       |             |          |
| A98                          | Pump, assembly (w/.420" thick pump gears) | please specify                          | 1   | 85-10 | 35301-30040 | 54200A-R |
| <b>HARD PARTS</b>            |   |   |     |       |             |          |
| n/i                          | Housing, overdrive w/31T sun gear         | A343 (16T reluctor wheel)               | 1   | 95-02 | A/E         | 54941D-R |
| n/i                          | Planet, overdrive w/20 splines 8.750" oh  | A343 (2 grooves) w/4 pinion 32T gears   | 1   | 95-02 | A/E         | 54936D-R |
| n/i                          | Gear, overdrive ring w/o hub 95T          | A343 (5 1/4" diameter)                  | 1   | 95-02 | A/E         | 54940D-R |
| <b>ELECTRICAL COMPONENTS</b> |   |   |     |       |             |          |
| n/i                          | Solenoid                                  | A340E/A341E/A343E (lock-up/TCC)         | 1   | 85-05 | 52-0205     | 5A-173   |
| n/i                          | Solenoid                                  | A341/A341F/A343E/A343F (lock-up/TCC)    | 1   | 90-02 | 52-0477     | 5A-173A  |
| n/i                          | Solenoid                                  | A340E                                   | 2   | 85-05 | 85420-22080 | 5A-172   |
| n/i                          | Solenoid set                              | A340E (shift #1 and shift #2)           | 1   | 85-05 | 85420-32021 | 5A-178   |
| n/i                          | Solenoid master kit (w/mounting bracket)  | A340E (2 shift /1 LU)                   | 1   | 90-05 | 52-9002     | 25A-050  |
| n/i                          | Solenoid master kit (w/bracket)(1 piece)  | A341E/A343E (dual shift solenoids assy) | 1   | 99-02 | 52-9021     | 25A-053  |
| n/i                          | Solenoid                                  | A341E/A343E (SLN accumulator control)   | 1   | 90-10 | 52-0399     | 5A-160   |
| n/i                          | Solenoid                                  | A341E/A343E (SL lock-up/TCC control)    | 1   | 90-10 | 52-0400     | 5A-161   |
| n/i                          | Solenoid                                  | A340E/A341E/A343E (SLT/EPC)             | 1   | 98-05 | 35290-60020 | 5A-162   |
| n/i                          | Kit, solenoid (w/mounting brackets)       | A340E (2 shift/1 lock-up/1 SLT)         | 1   | 98-05 | 52-9029     | 25A-055  |
| n/i                          | Kit, solenoid                             | A341E/A343E (1 SLN/1 SL/2 shift)        | 1   | 90-10 | 52-9030     | 25A-056  |
| n/i                          | Switch, neutral start (w/wire harness)    | A340                                    | 1   | 98-05 | D97991A     | 16A-375  |
| <b>SPRAGS</b>                |   |   |     |       |             |          |
| B102                         | Sprag                                     | overdrive one way clutch                | 1   | 85-10 | 35791-30040 | 75929    |
| D121                         | Sprag w/washers                           | intermediate one way clutch             | 1   | 85-10 | 35790-30030 | 54501    |
| E126                         | Sprag w/washers                           | low one way clutch                      | 1   | 85-10 | 35792-30042 | 54503    |
| <b>NOTES</b>                 |   |   |     |       |             |          |
|                              |   |   |     |       |             |          |
|                              |   |   |     |       |             |          |
|                              |   |   |     |       |             |          |

T-1256 Parts List

The Ultimate Engine Hanger



012-128 front leg (2)



012-116 shock tower bracket (2)



012-019 shock tower adapter (2)



012-125 lower front leg bracket (2)



012-109 square poly plug (12)



012-123 front leg rubber pad (2)



012-117 j-hook handle (3)



012-122 front leg handle (2)

all parts are sold separately



012-127 2-link chain (3)



012-120 s-hook (3)



012-111 3" 1/2" thread bolt (2)



012-112 2" 1/2" thread bolt (2)



012-124 thrust bearing (3)



012-110 1/2" flat washer (6)



012-114 1/2" jam nut (2)



012-113 1/2" hex nut (2)



012-106 side cross bar (2)



012-107 cross bar (1)



012-115 bottom bracket w/nut (2)



012-118 j-hook (3)



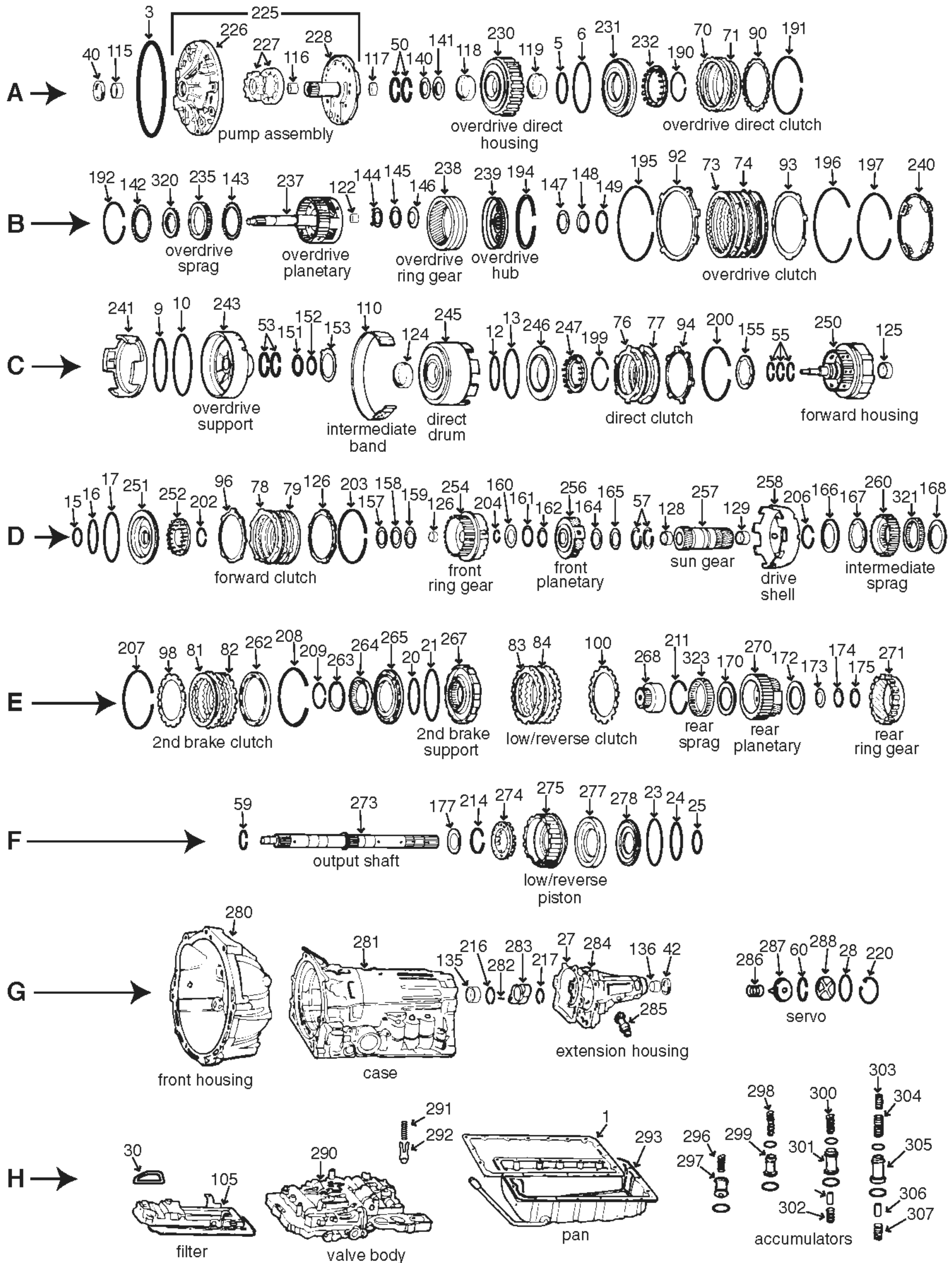
012-126 top support bracket (9)



012-121 wall hanger (1)



012-108 wall hanger peg (7)



AW4/AW30-40LE  
54000D

# AW4•AW30-40LE•A340E•340 (Jeep)

AW4•AW30-40LE•A340

| ILL                                  | DESCRIPTION                          |  | QTY | YEAR  | REFERENCE # | PART #    |
|--------------------------------------|--------------------------------------|--|-----|-------|-------------|-----------|
| <b>TECHNICAL MANUALS</b>             |                                      |  |     |       |             |           |
| K53                                  | Tech manual Jeep AW4 dis/assembly    | diagnosis/troubleshooting                | 1   | 87-01 | 83-AW-4TM   | 010-447   |
| K53                                  | Tech manual A340H/A55 transfer case  | dis/assembly (diagnosis/troubleshooting) | 1   | 87-01 | 83-34055TM  | 010-705   |
| <b>REBUILDER KITS</b>                |                                      |  |     |       |             |           |
| K5                                   | Master kit w/steels                  | 30-40LE/AW4                              | 1   | 87-01 | AE          | K5400D    |
| K6                                   | Master kit w/o steels                | 30-40LE/AW4                              | 1   | 87-01 | AE          | K5400D-LS |
| K7                                   | O/H gasket set w/seals-rings         | 30-40LE/AW4                              | 1   | 87-01 | AE          | K54900    |
| <b>GASKETS AND RUBBER COMPONENTS</b> |                                      |  |     |       |             |           |
| H1                                   | Gasket, transmission oil pan         | neoprene/cork                            | 1   | 87-01 | 35178-30010 | 13810X    |
| H1                                   | Gasket, transmission oil pan         | Duraprene®                               | 1   | 87-01 | 35178-30010 | 13810D    |
| A2                                   | O'ring                               | pump to case                             | 1   | 87-01 | 90301-99033 | 1082      |
| H30                                  | Gasket, filter                       | 2WD                                      | 1   | 87-01 | 35339-30070 | 23005     |
| n/i                                  | O'ring                               | filler tube                              | 1   | 87-01 | 90301-09011 | 23009     |
| <b>METAL CLAD SEALS</b>              |                                      |  |     |       |             |           |
| A40                                  | Seal, metal clad                     | front                                    | 1   | 87-01 | 90311-38129 | 46200     |
| G42                                  | Seal, metal clad                     | Jeep 2WD (extension housing)             | 1   | 87-10 | 83504048    | 42201A    |
| G42                                  | Seal, metal clad (not in kit)        | Jeep 4WD (adapter housing)               | 1   | 87-01 | 83504055    | 205-19622 |
| n/i                                  | Seal, metal clad                     | speedo driven gear (S type)              | 1   | 87-01 | 90310-09001 | 46203     |
| n/i                                  | Seal, metal clad 12x22x7mm           | manual lever shaft                       | 1/3 | 87-01 | 90311-12002 | 46202     |
| <b>SEALING RINGS</b>                 |                                      |  |     |       |             |           |
| K10                                  | Kit, sealing ring                    | transmission only                        | 1   | 87-01 | AE          | K54300    |
| A50                                  | Sealing ring (metal)                 | pump stator                              | 2   | 87-01 | 35617-30020 | 54301     |
| C53                                  | Sealing ring (metal)                 | overdrive support                        | 2   | 87-01 | 35617-30020 | 54301     |
| C55                                  | Sealing ring (metal)                 | forward housing                          | 3   | 87-01 | 35712-30020 | 54302     |
| D57                                  | Sealing ring (metal)                 | sun gear                                 | 1   | 87-01 | 35749-30010 | 54303     |
| F59                                  | Sealing ring (metal)                 | output shaft                             | 1   | 87-01 | 35735-30021 | 54304     |
| <b>CLUTCH PLATES</b>                 |                                      |  |     |       |             |           |
| A70                                  | Steel .079" 4.127" id 24T            | overdrive direct                         | 1/2 | 87-01 | 34616-30010 | 54107     |
| A71                                  | Friction .083" 4.973" od 32T         | overdrive direct                         | 2   | 87-01 | 35633-30040 | 54101     |
| B73                                  | Friction .081" 6.529" od 24T         | overdrive brake                          | 3/5 | 87-01 | 35633-50010 | 54100     |
| B74                                  | Steel .079" 5.634" id 6T             | overdrive brake                          | 1   | 87-01 | 34634-30030 | 54106     |
| C76                                  | Steel .118" 4.127" id 6T             | direct                                   | 3/4 | 87-01 | 35647-14010 | 54108     |
| C76                                  | Steel .091" 4.127" id 6T             | direct                                   | 1/4 | 87-01 | 35647-30011 | 54124     |
| C76                                  | Steel .091" 4.127" id 24T            | direct                                   | 4   | 87-01 | 35647-22030 | 54136     |
| C76                                  | Steel .071" 4.127" id 6T             | direct                                   | 4   | 87-01 | 35634-32020 | 75137     |
| C77                                  | Friction .083" 5.178" od 40T (waved) | direct                                   | 3/5 | 87-01 | 35677-50030 | 54102     |
| D78                                  | Steel .079" 4.138" id 8T             | forward                                  | 5   | 87-01 | 35634-30100 | 54109     |
| D78                                  | Steel .071" 4.138" id 8T             | forward                                  | 6/7 | 87-01 | 35634-32020 | 75101     |
| D78                                  | Steel .091" 4.138" id 8T             | forward                                  | 4/6 | 87-01 | 35634-30110 | 54109A    |
| D79                                  | Friction .083" 4.973" od 40T         | forward                                  | 4/5 | 87-01 | 35677-30090 | 54103A    |
| n/i                                  | Steel, cushion plate                 | forward                                  | ar  | 87-01 | 35672-50010 | 54111     |
| E81                                  | Friction .081" 5.178" od 32T         | 2nd brake                                | 4/5 | 87-01 | 35667-50020 | 54104     |
| E82                                  | Steel .071" 4.152" id 16T            | 2nd brake                                | 1   | 87-01 | 35647-30030 | 54110     |
| E82                                  | Steel .098" 4.152" id 16T            | 2nd brake                                | 4   | 87-01 | 35647-30020 | 54110A    |
| E83                                  | Steel .071" 4.319" id 15T            | low/reverse                              | 5/7 | 87-01 | 35648-30031 | 54114     |
| E84                                  | Friction .067" 5.092" od 32T         | low/reverse                              | 6/7 | 87-01 | 35677-30110 | 54105     |
| <b>PRESSURE PLATES</b>               |                                      |  |     |       |             |           |
| A90                                  | Pressure plate .122" 3.1mm           | overdrive direct clutch                  | sel | 87-01 | 34615-30070 | 54127-R   |
| B92                                  | Pressure plate .130" 3.3mm           | overdrive brake clutch (top)             | sel | 87-01 | 34625-30090 | 54130-R   |
| B92                                  | Pressure plate .138" 3.5mm           | overdrive brake clutch (top)             | sel | 87-01 | 34625-30080 | 54130A-R  |
| B92                                  | Pressure plate .142" 3.6mm           | overdrive brake clutch (top)             | sel | 87-01 | 34625-30070 | 54130B-R  |
| B92                                  | Pressure plate .146" 3.7mm           | overdrive brake clutch (top)             | sel | 87-01 | 34625-30060 | 54130C-R  |
| B92                                  | Pressure plate .150" 3.8mm           | overdrive brake clutch (top)             | sel | 87-01 | 34625-30050 | 54130D-R  |
| B92                                  | Pressure plate .154" 3.9mm           | overdrive brake clutch (top)             | sel | 87-01 | 34625-30040 | 54130E-R  |



# AW4•AW30-40LE•A340E•340 (Jeep)

AW4•AW30-40LE•A340

| ILL                                 | DESCRIPTION   | QTY | YEAR  | REFERENCE # | PART #   |
|-------------------------------------|---|-----|-------|-------------|----------|
| <b>PRESSURE PLATES (CONTINUED)</b>  |   |     |       |             |          |
| B92                                 | Pressure plate .159" 4.0mm overdrive brake clutch (top)         | sel | 87-01 | 34625-30100 | 54130F-R |
| B93                                 | Pressure plate .130" 3.3mm overdrive brake clutch (bottom)      | 1   | 87-01 | AE          | 54130-R  |
| B93                                 | Pressure plate .138" 3.5mm overdrive brake clutch (bottom)      | 1   | 87-01 | AE          | 54130A-R |
| B93                                 | Pressure plate .142" 3.6mm overdrive brake clutch (bottom)      | 1   | 87-01 | AE          | 54130B-R |
| B93                                 | Pressure plate .146" 3.7mm overdrive brake clutch (bottom)      | 1   | 87-01 | AE          | 54130C-R |
| B93                                 | Pressure plate .150" 3.8mm overdrive brake clutch (bottom)      | 1   | 87-01 | AE          | 54130D-R |
| B93                                 | Pressure plate .154" 3.9mm overdrive brake clutch (bottom)      | 1   | 87-01 | AE          | 54130E-R |
| B93                                 | Pressure plate .159" 4.0mm overdrive brake clutch (bottom)      | 1   | 87-01 | AE          | 54130F-R |
| C94                                 | Pressure plate .110" 2.8mm direct clutch                        | sel | 87-01 | 35675-30111 | 75716A-R |
| D96                                 | Pressure plate .118" 3.0mm forward clutch                       | sel | 87-01 | 35635-50030 | 75716B-R |
| E98                                 | Pressure plate 2nd clutch                                       | 1   | 87-01 | 35676-30020 | 54128-R  |
| E100                                | Pressure plate .158" 4.0mm low/reverse clutch                   | sel | 87-01 | 35676-50060 | 54129-R  |
| E100                                | Pressure plate .166" 4.2mm low/reverse clutch                   | sel | 87-01 | 34676-50050 | 54129A-R |
| E100                                | Pressure plate .174" 4.4mm low/reverse clutch                   | sel | 87-01 | 35676-50040 | 54129B-R |
| <b>FILTERS</b>                      |   |     |       |             |          |
| K9                                  | Kit, filter neoprene/cork                                       | 1   | 87-01 | AE          | FK54800B |
| K9                                  | Kit, filter Duraprene®  | 1   | 87-01 | AE          | DK54800B |
| H105                                | Filter, oil 30-40LE/AW4   | 1   | 87-01 | 83504032    | 54800B   |
| <b>BANDS</b>                        |   |     |       |             |          |
| C110                                | Band brake (intermediate)                                       | 1   | 87-01 | 35810-30020 | 54700    |
| <b>BUSHINGS</b>                     |   |     |       |             |          |
| K13                                 | Kit, bushing 12 pieces  | 1   | 87-01 | AE          | K54901   |
| A115                                | Bushing pump body   | 1   | 87-01 | n/a         | 46001    |
| A116                                | Bushing 17mm 21.561mm bore stator support (front)               | 1   | 87-01 | n/a         | 46007A   |
| A117                                | Bushing stator support (rear)                                   | 1   | 87-01 | n/a         | 54002    |
| A118                                | Bushing overdrive direct drum (front)                           | 1   | 87-01 | n/a         | 54003    |
| A119                                | Bushing overdrive direct drum (rear)                            | 1   | 87-01 | n/a         | 54004    |
| B122                                | Bushing overdrive planetary                                     | 1   | 87-01 | n/a         | 54005    |
| C124                                | Bushing direct drum   | 1   | 87-01 | n/a         | 54006    |
| C125                                | Bushing forward drum  | 1   | 87-01 | n/a         | 54007    |
| D126                                | Bushing ring gear (front planetary)                             | 1   | 87-01 | n/a         | 54008    |
| D128                                | Bushing sun gear (front)  | 1   | 87-01 | n/a         | 54009    |
| D129                                | Bushing sun gear (rear)   | 1   | 87-01 | n/a         | 54010    |
| G135                                | Bushing (babbit) 38.113mm bore case                             | 1   | 87-01 | n/a         | 12502    |
| G136                                | Bushing w/38mm yoke extension housing                           | 1   | 87-01 | n/a         | 46006    |
| G136                                | Bushing w/35mm yoke (not in kit) extension housing              | 1   | 87-01 | n/a         | 46006A   |
| G136                                | Bushing w/40mm yoke (not in kit) extension housing              | 1   | 87-01 | n/a         | 54014    |
| <b>WASHERS/BEARINGS/RACES/SHIMS</b> |   |     |       |             |          |
| K12                                 | Kit, thrust bearing 30-40LE/AW4                                 | 1   | 87-01 | n/a         | K54906   |
| K14                                 | Kit, thrust washer 30-40LE/AW4                                  | 1   | 87-01 | AE          | K54907   |
| A141                                | Race, thrust .031" 1.857" od pump stator to od housing          | 1   | 87-01 | AE          | 54401-R  |
| A141                                | Bearing, thrust pump stator to od housing                       | 1   | 87-01 | AE          | 54403-R  |
| B142                                | Washer thrust .040" 2.630" id 44T front overdrive sprag         | 1   | 87-01 | AE          | 54405-R  |
| B143                                | Washer thrust .060" 2.630" id 44T (4-lugs) rear overdrive sprag | 1   | 87-01 | AE          | 54406-R  |
| B144                                | Race, thrust 1.642" od (4 tabs) od planetary to od ring gear    | 1   | 87-01 | AE          | 54408-R  |
| B145                                | Bearing, thrust 1.845" od od planetary to od ring gear          | 1   | 87-01 | AE          | 54409-R  |
| B146                                | Race, thrust 1.878" od (4 tabs) od planetary to od ring gear    | 1   | 87-01 | AE          | 54410-R  |
| B147                                | Race, thrust 1.875" od od ring gear to support                  | 1   | 87-01 | AE          | 54412-R  |
| B148                                | Race, thrust 2.313" od od ring gear to support                  | 1   | 87-01 | AE          | 54413-R  |
| B149                                | Bearing, thrust 1.875" od od ring gear to support               | 1   | 87-01 | AE          | 54414-R  |
| B149                                | Bearing, thrust (4 tabs) od ring gear to support                | 1   | 87-01 | AE          | 54415-R  |
| B149                                | Race, thrust (4 tabs) od ring gear to support                   | 1   | 87-01 | AE          | 54416-R  |
| C151                                | Race thrust 2.000" od support to direct housing                 | 1   | 87-01 | AE          | 54418-R  |

| ILL   | DESCRIPTION  | QTY | YEAR  | REFERENCE # | PART #   |
|---|--|-----|-------|-------------|----------|
| <b>WASHERS/BEARINGS/RACES/SHIMS (CONTINUED)</b> |  |     |       |             |          |
| C152  | Washer, thrust (1 tab plastic) support to forward housing            | 1   | 87-01 | AE          | 54419-R  |
| C153  | Bearing, torrington 1.878" od support to forward housing             | 1   | 87-01 | AE          | 54420-R  |
| C155  | Washer, thrust (3 tabs plastic) direct housing to forward housing    | 1   | 87-01 | AE          | 54422-R  |
| D157  | Race, thrust 1.920" od ring gear to forward housing                  | 1   | 87-01 | AE          | 54423-R  |
| D158  | Bearing, thrust 1.845" od ring gear to forward housing               | 1   | 87-01 | AE          | 54409-R  |
| D159  | Race, thrust 1.840" od ring gear to forward housing                  | 1   | 87-01 | AE          | 54424-R  |
| D160  | Race, thrust 2.110" od ring gear to front planetary                  | 1   | 87-01 | AE          | 54426-R  |
| D161  | Bearing, thrust 1.875" od ring gear to front planetary               | 1   | 87-01 | AE          | 54414-R  |
| D162  | Race, thrust (4 tabs) ring gear to front planetary                   | 1   | 87-01 | AE          | 54416-R  |
| D164  | Race, thrust 1.868" od front planetary to sun gear                   | 1   | 87-01 | AE          | 54428-R  |
| D165  | Bearing, thrust 1.875" od front planetary to sun gear                | 1   | 87-01 | AE          | 54429-R  |
| D166  | Washer, thrust 3.125" od (3 tabs) drive shell to sprag               | 1   | 87-01 | AE          | 54431-R  |
| D167  | TW 2.875" od (4 notches plastic) 2nd brake support to sprag          | 1   | 87-01 | AE          | 54442-R  |
| D168  | Washer, thrust 3.125" od (2 tabs plastic) rear planetary to sprag    | 1   | 87-01 | AE          | 54443-R  |
| E170  | Washer, thrust 3.125" od (5 tabs) rear planetary to sprag            | 1   | 87-01 | AE          | 54444-R  |
| E172  | Washer, thrust 3.000" od (2 tabs plastic) rear planetary to ring hub | 1   | 87-01 | AE          | 54445-R  |
| E174  | Washer, thrust 3.000" od (5 tabs plastic) rear planetary to ring hub | 1   | 87-01 | AE          | 54446-R  |
| E175  | Washer, thrust 1.140" id rear planetary to ring hub                  | 1   | 87-01 | AE          | 54447-R  |
| E175  | Bearing, thrust .079" 1.183" id rear planetary to ring hub           | 1   | 87-01 | AE          | 54448-R  |
| E175  | Bearing, thrust .155" 2.128" od rear planetary to ring hub           | 1   | 87-01 | AE          | 54449-R  |
| E175  | Race, thrust 1.090" id rear planetary to ring hub                    | 1   | 87-01 | AE          | 54450-R  |
| F177  | Bearing, thrust 2.264" od rear ring gear to case                     | 1   | 87-01 | AE          | 54451-R  |
| <b>SNAP RINGS</b>                               |  |     |       |             |          |
| A190  | Snap ring overdrive direct retainer                                  | 1   | 87-01 | AE          | 54601-R  |
| A191  | Snap ring overdrive direct clutch                                    | 1   | 87-01 | AE          | 54602-R  |
| B192  | Snap ring overdrive sprag  | 1   | 87-01 | AE          | 54603-R  |
| B194  | Snap ring overdrive hub in ring gear                                 | 1   | 87-01 | AE          | 54604-R  |
| B195  | Snap ring overdrive pressure plate                                   | 1   | 87-01 | AE          | 54606-R  |
| B196  | Snap ring (2 eyelets) overdrive support to case                      | 1   | 87-01 | AE          | 54607-R  |
| B197  | Snap ring .193" 6.625" od overdrive brake retainer                   | 1   | 87-01 | AE          | 54608-R  |
| B197  | Snap ring .174" 6.625" od overdrive brake retainer                   | 1   | 87-01 | AE          | 54608A-R |
| C199  | Snap ring direct clutch retainer                                     | 1   | 87-01 | AE          | 54609-R  |
| C200  | Snap ring .5.500" od direct clutch pressure plate                    | 1   | 87-01 | AE          | 54611-R  |
| C200  | Snap ring .5.750" od direct clutch pressure plate                    | 1   | 87-01 | AE          | 54611A-R |
| D202  | Snap ring forward spring retainer                                    | 1   | 87-01 | AE          | 54613-R  |
| D203  | Snap ring forward clutch pressure plate                              | 1   | 87-01 | AE          | 54602-R  |
| D204  | Snap ring front planetary to output shaft                            | 1   | 87-01 | AE          | 54615-R  |
| D206  | Snap ring drive shell to sun gear                                    | 1   | 87-01 | AE          | 54617-R  |
| E207  | Snap ring .118" 5.875" od 2nd brake support in case                  | 1   | 87-01 | AE          | 54619-R  |
| E208  | Snap ring .062" 5.625" od 2nd brake support in case                  | 1   | 87-01 | AE          | 54620-R  |
| E209  | Snap ring 2nd clutch retainer  | 1   | 87-01 | AE          | 54621-R  |
| E211  | Snap ring rear sprag in rear planetary                               | 1   | 87-01 | AE          | 54624-R  |
| F214  | Snap ring low/reverse clutch retainer                                | 1   | 87-01 | AE          | 54630-R  |
| G216  | Snap ring governor/sensor to output shaft                            | 1   | 87-01 | AE          | 54632-R  |
| G217  | Snap ring governor/sensor to output shaft                            | 1   | 87-01 | AE          | 54632-R  |
| G220  | Snap ring servo cover to case  | 1   | 87-01 | AE          | 54635-R  |
| <b>PUMP PARTS AND PUMPS</b>                     |  |     |       |             |          |
| A225  | Pump, assembly (w/.370" thick pump gears) 30-40LE/AW4                | 1   | 87-01 | AE          | 54200-R  |
| A225  | Pump, assembly (w/.420" thick pump gears) 30-40LE/AW4                | 1   | 87-01 | AE          | 54200A-R |
| A225  | Pump, assembly (w/.460" thick pump gears) 30-40LE/AW4                | 1   | 87-01 | AE          | 54200B-R |
|   |  |     |       |             |          |
|   |  |     |       |             |          |
|   |  |     |       |             |          |

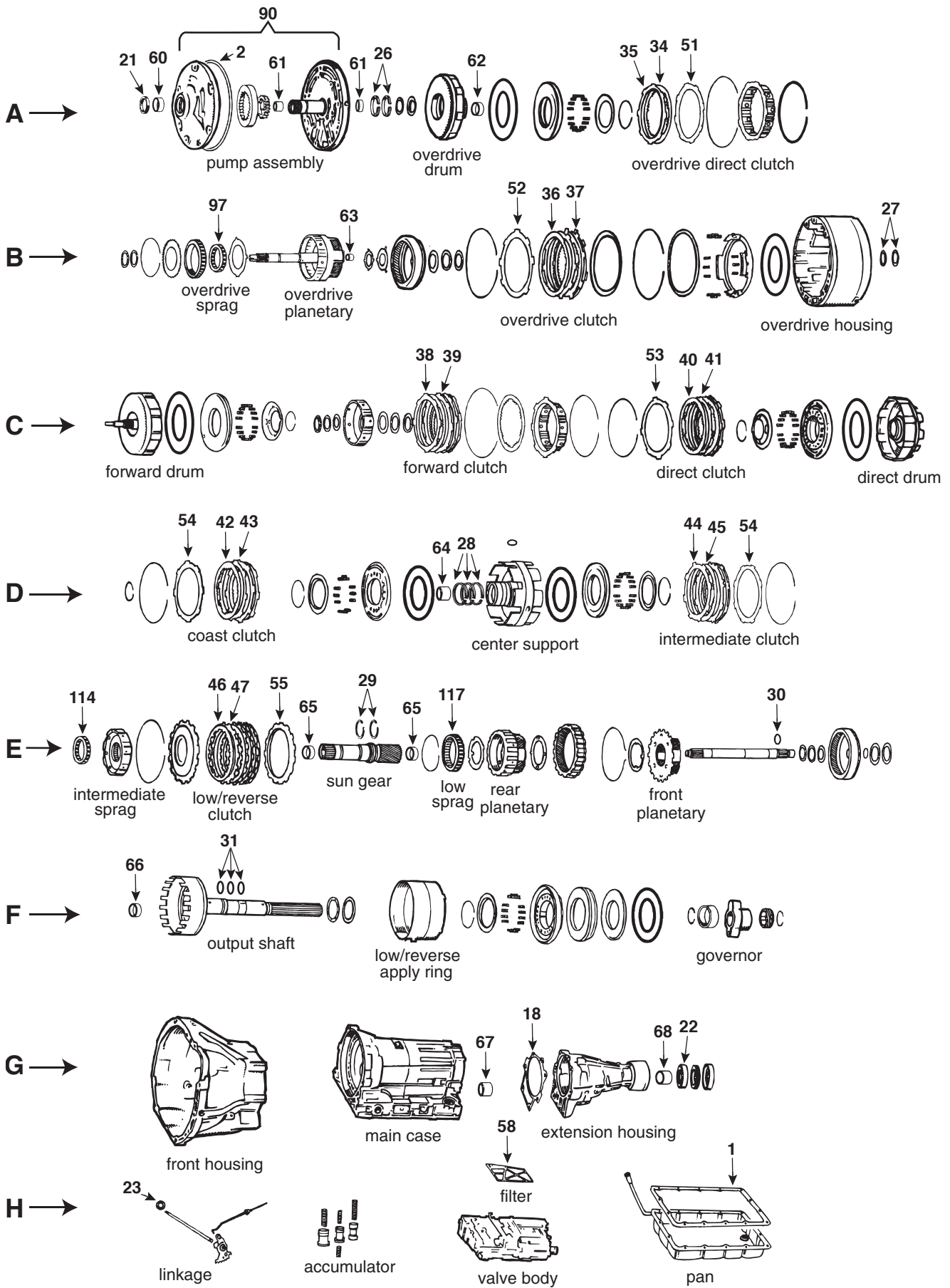
# AW4•AW30-40LE•A340E•340 (Jeep)

AW4•AW30-40LE•A340

| ILL               | DESCRIPTION                              | QTY                                      | YEAR | REFERENCE # | PART # |          |
|-------------------|--|--|------|-------------|--------|----------|
| <b>HARD PARTS</b> |  |  |      |             |        |          |
| A230              | Housing, overdrive w/33T sun gear        | 2 clutch                                 | 1    | 87-01       | AE     | 54941-R  |
| A230              | Housing, overdrive w/33T sun gear        | 1 clutch                                 | 1    | 87-01       | AE     | 54941A-R |
| A230              | Housing, overdrive w/33T sun gear        | 2 clutch 32T reluctor wheel              | 1    | 87-01       | AE     | 54941B-R |
| A230              | Housing, overdrive w/33T sun gear        | 2 clutch 16T reluctor wheel              | 1    | 87-01       | AE     | 54941C-R |
| A230              | Housing, overdrive w/31T sun gear        | 2 clutch 16T reluctor wheel              | 1    | 87-01       | AE     | 54941D-R |
| A230              | Housing, overdrive w/31T sun gear        | 2 clutch                                 | 1    | 87-01       | AE     | 54941E-R |
| A230              | Housing, overdrive w/31T sun gear        | 2 clutch 32T reluctor wheel              | 1    | 87-01       | AE     | 54941F-R |
| A231              | Piston, aluminum                         | overdrive direct clutch                  | 1    | 87-01       | AE     | 54943-R  |
| A232              | Retainer, w/springs                      | overdrive direct clutch                  | 1    | 87-01       | AE     | 54944-R  |
| B235              | Race, sprag .530" 2.830" id 44T          | overdrive sprag                          | 1    | 87-01       | AE     | 54945-R  |
| B237              | Planetary, overdrive 8.125" oh           | w/26 splines (33T sun gear)              | 1    | 87-01       | AE     | 54936-R  |
| B237              | Planetary, overdrive 8.125" oh           | w/20 splines (33T sun gear)              | 1    | 87-01       | AE     | 54936A-R |
| B237              | Planetary, overdrive 8.750" oh           | w/20 splines (33T sun gear)              | 1    | 87-01       | AE     | 54936B-R |
| B237              | Planetary, overdrive 8.125" oh           | w/26 splines (31T sun gear)              | 1    | 87-01       | AE     | 54936C-R |
| B237              | Planet, overdrive w/20 splines 8.750" oh | 2 groove w/4 32T pinions (31T sun gear)  | 1    | 87-01       | AE     | 54936D-R |
| B237              | Planetary, overdrive 8.125" oh           | w/20 splines (31T sun gear)              | 1    | 87-01       | AE     | 54936E-R |
| B238              | Gear, overdrive ring w/o hub             | 4.625" od (33T sun gear)                 | 1    | 87-01       | AE     | 54940-R  |
| B238              | Gear, overdrive ring w/o hub 95T         | 5 1/4" od 31T sun gear                   | 1    | 87-01       | AE     | 54940D-R |
| B239              | Hub, overdrive 4" od                     | thrust bearing bore 1.875" od            | 1    | 87-01       | AE     | 54942-R  |
| B239              | Hub, overdrive 4" od                     | thrust bearing bore 2.312" od            | 1    | 87-01       | AE     | 54942A-R |
| B239              | Hub, overdrive 4.812" od                 | 30-40LE/AW4                              | 1    | 87-01       | AE     | 54942B-R |
| B240              | Retainer, w/springs 6.250" od            | overdrive clutch                         | 1    | 87-01       | AE     | 54947-R  |
| B240              | Retainer, w/springs 6" od                | overdrive clutch                         | 1    | 87-01       | AE     | 54947A-R |
| C241              | Piston 1.843" oh 6.250" od               | overdrive clutch                         | 1    | 87-01       | AE     | 54948-R  |
| C241              | Piston 1.687" oh 6.250" od               | overdrive clutch                         | 1    | 87-01       | AE     | 54948A-R |
| C241              | Piston 1.847" oh 6" od                   | overdrive clutch                         | 1    | 87-01       | AE     | 54948B-R |
| C241              | Piston 1.673" oh 6" od                   | overdrive clutch                         | 1    | 87-01       | AE     | 54948C-R |
| C243              | Support, overdrive (aluminum)            | center support casting #8930             | 1    | 87-01       | AE     | 54949-R  |
| C243              | Support, overdrive (aluminum)            | center support casting #8931             | 1    | 87-01       | AE     | 54949A-R |
| C245              | Drum, direct 5" od piston 6T steels      | .750" piston to top of snap ring groove  | 1    | 87-01       | AE     | 54951-R  |
| C245              | Drum, direct 4.625" od piston 6T steels  | .750" piston to top of snap ring groove  | 1    | 87-01       | AE     | 54951A-R |
| C245              | Drum, direct 5" od piston 6T for steels  | .937" piston to top of snap ring groove  | 1    | 87-01       | AE     | 54951B-R |
| C245              | Drum, direct 4.625" od piston 6T steels  | .937" piston to top of snap ring groove  | 1    | 87-01       | AE     | 54951C-R |
| C245              | Drum, direct 5" od piston 24T for steels | 30-40LE/AW4                              | 1    | 87-01       | AE     | 54951D-R |
| C246              | Piston, direct clutch 4.625" od          | 30-40LE/AW4                              | 1    | 87-01       | AE     | 54954-R  |
| C246              | Piston, direct clutch 5" od              | 30-40LE/AW4                              | 1    | 87-01       | AE     | 54954A-R |
| C247              | Retainer, w/springs                      | direct clutch                            | 1    | 87-01       | AE     | 54955-R  |
| C250              | Housing, foward clutch (w/1 check ball)  | 1.625" piston to top of snap ring groove | 1    | 87-01       | AE     | 54956-R  |
| C250              | Housing, foward clutch (w/1 check ball)  | 1.250" piston to top of snap ring groove | 1    | 87-01       | AE     | 54956A-R |
| C250              | Housing, foward clutch (w/2 check balls) | 1.250" piston to top of snap ring groove | 1    | 87-01       | AE     | 54956B-R |
| C250              | Housing, foward clutch (w/no check ball) | 1.325" to top of snap ring groove        | 1    | 87-01       | AE     | 54956C-R |
| D251              | Piston, forward clutch .493" thick       | 30-40LE/AW4                              | 1    | 87-01       | AE     | 54958-R  |
| D251              | Piston, forward clutch .453" thick       | 30-40LE/AW4                              | 1    | 87-01       | AE     | 54958A-R |
| D252              | Retainer, w/springs                      | forward clutch                           | 1    | 87-01       | AE     | 54959-R  |
| D254              | Gear, front ring w/hub 4.645" od         | 30-40LE/AW4                              | 1    | 87-01       | AE     | 54960-R  |
| D254              | Gear, front ring w/hub 4.487" od         | .937" id bushing fits 4 gear planetary   | 1    | 87-01       | AE     | 54960A-R |
| D254              | Gear, front ring w/hub 4.487" od         | 1.625" id bushing fits 5 gear planetary  | 1    | 87-01       | AE     | 54960B-R |
| D256              | Planetary, front w/4 pinion gears        | 30-40LE/AW4                              | 1    | 87-01       | AE     | 54962-R  |
| D256              | Planetary, front w/5 pinion gears        | 30-40LE/AW4                              | 1    | 87-01       | AE     | 54962A-R |
| D257              | Gear, sun front/rear (1-piece)           | 42T front/33T rear                       | 1    | 87-01       | AE     | 54963-R  |
| D257              | Gear, sun front/rear (2-piece)           | 42T front/42T rear                       | 1    | 87-01       | AE     | 54963A-R |
| D258              | Shell, drive (8 lugs)                    | 30-40LE/AW4                              | 1    | 87-01       | AE     | 54965-R  |
| E262              | Ring, apply plate (.475" thick aluminum) | 2nd brake clutch                         | 1    | 87-01       | AE     | 54966-R  |







A40/A41/A42/AW70/A44D/AW71/A44DL/A44DE/A46DE

46000/A/D/E/F/G/J/K

# A40•A41•A42•AW70•AW71•A44D•A44DL•A44DE•A46DE

A40•41•42•AW70•71•A44D•DL•DE•A46DE

| ILL                                  | DESCRIPTION   | QTY | YEAR  | REFERENCE #   | PART #    |
|--------------------------------------|---|-----|-------|---------------|-----------|
| <b>TECHNICAL MANUALS</b>             |   |     |       |               |           |
| K53                                  | Tech manual A40 series dis/assembly diagnosis/troubleshooting | 1   | 72-06 | 83-TOY40TM    | 010-401   |
| <b>REBUILDER KITS</b>                |   |     |       |               |           |
| K5                                   | Master kit w/steels-3 speed                                   | 1   | 73-86 | AE            | K4600     |
| K5                                   | Master kit w/steels-3 speed                                   | 1   | 74-84 | AE            | K4600A    |
| K5                                   | Master kit w/steels-4 speed                                   | 1   | 77-85 | AE            | K4600D    |
| K5                                   | Master kit w/steels-4 speed                                   | 1   | 81-87 | AE            | K4600E    |
| K5                                   | Master kit w/steels-4 speed                                   | 1   | 88-94 | AE            | K4600F    |
| K5                                   | Master kit w/steels-4 speed                                   | 1   | 95-06 | AE            | K4600G    |
| K5                                   | Master kit w/steels-4 speed                                   | 1   | 82-06 | AE            | K4600J    |
| K5                                   | Master kit w/steels-4 speed                                   | 1   | 91-06 | AE            | K4600K    |
| K6                                   | Master kit w/o steels-3 speed                                 | 1   | 72-86 | AE            | K4600-LS  |
| K6                                   | Master kit w/o steels-3 speed                                 | 1   | 74-84 | AE            | K4600A-LS |
| K6                                   | Master kit w/o steels-4 speed                                 | 1   | 77-85 | AE            | K4600D-LS |
| K6                                   | Master kit w/o steels-4 speed                                 | 1   | 81-87 | AE            | K4600E-LS |
| K6                                   | Master kit w/o steels-4 speed                                 | 1   | 88-94 | AE            | K4600F-LS |
| K6                                   | Master kit w/o steels-4 speed                                 | 1   | 95-06 | AE            | K4600G-LS |
| K6                                   | Master kit w/o steels-4 speed                                 | 1   | 82-06 | AE            | K4600J-LS |
| K6                                   | Master kit w/o steels-4 speed                                 | 1   | 91-06 | AE            | K4600K-LS |
| K7                                   | O/H gasket set w/seals-rings-3 speed                          | 1   | 72-86 | AE            | K46900    |
| K7                                   | O/H gasket set w/seals-rings-3 speed                          | 1   | 74-84 | AE            | K46900A   |
| K7                                   | O/H gasket set w/seals-rings-4 speed                          | 1   | 77-06 | AE            | K46900D   |
| K7                                   | O/H gasket set w/seals-rings-4 speed                          | 1   | 82-06 | AE            | K46900F   |
| K11                                  | Gasket and seal kit-3 speed                                   | 1   | 72-86 | AE            | K46900C-1 |
| K11                                  | Gasket and seal kit-3 speed                                   | 1   | 74-84 | AE            | K46900A-1 |
| K11                                  | Gasket and seal kit-4 speed                                   | 1   | 82-06 | AE            | K46900F-1 |
| <b>GASKETS AND RUBBER COMPONENTS</b> |   |     |       |               |           |
| H1                                   | Gasket, oil pan   | 1   | 72-06 | 35168-22011   | 13400X    |
| H1                                   | Gasket, oil pan   | 1   | 72-06 | 35168-22011F  | 13400D    |
| A2                                   | D'ring  | 1   | 72-79 | 35147-22010   | 13401     |
| A2                                   | O'ring  | 1   | 79-06 | 90301-99010   | 13401A    |
| G18                                  | Gasket, extension housing                                     | 1   | 72-06 | 35182-22010   | 13402     |
| n/i                                  | Gasket, filter  | 1   | 72-06 | 045-504-5007  | 13407     |
| n/i                                  | Gasket, filter  | 1   | 77-85 | 35339-30030   | 13407A    |
| n/i                                  | Gasket, filter  | 1   | 79-06 | 35339-30050   | 13407D    |
| n/i                                  | Gasket, filter  | 1   | 83-06 | 35339-30060   | 13407C    |
| n/i                                  | Gasket, filter  | 1   | 81-06 | 35339-14010   | 13407B    |
| n/i                                  | O'ring  | 1   | 72-06 | 90301-18018   | 3547L     |
| n/i                                  | O'ring  | 2   | 72-06 | 90301-09173   | 13103     |
| n/i                                  | O'ring  | 1   | 77-06 | 90301-99006   | 13408     |
| n/i                                  | Gasket set, valve body  | 1   | 79-06 | n/a           | 13421     |
| n/i                                  | Gasket set, valve body  | 1   | 77-85 | n/a           | 13422     |
| n/i                                  | Gasket set, valve body  | 1   | 81-06 | n/a           | 13423     |
| n/i                                  | Gasket set, valve body  | 1   | 83-06 | n/a           | 13424     |
| <b>METAL CLAD SEALS</b>              |   |     |       |               |           |
| A21                                  | Seal, metal clad  | 1   | 72-06 | 90311-38020   | 46200     |
| G22                                  | Seal, metal clad  | 1   | 72-06 | 90311-38040   | 42201A    |
| G22                                  | Seal, metal clad 1.950" od (not in kit)                       | 1   | 74-93 | 235728-3      | 47201A    |
| G22                                  | Seal, metal clad 2.170" od (not in kit)                       | 1   | 94-97 | 3549226-3     | 46201     |
| G22                                  | Seal, metal clad (not in kit)                                 | 1   | 81-85 | 5-09625-009-0 | 46204     |
| G22                                  | Seal, metal clad (not in kit)                                 | 1   | 86-95 | 8-94155-673-0 | 46205     |
| G22                                  | Seal, metal clad  | 1   | 87-89 | MD951482      | 46206     |
| G22                                  | Seal, metal clad (not in kit)                                 | 1   | 98-06 | BV8B-17-355   | 46207     |
| H23                                  | Seal, metal clad 12x22x7mm                                    | 2   | 73-06 | 90311-11128   | 46202     |

# A40•A41•A42•AW70•AW71•A44D•A44DL•A44DE•A46DE

A40•A41•A42•AW70•71•A44D•DL•A44DE•A46DE

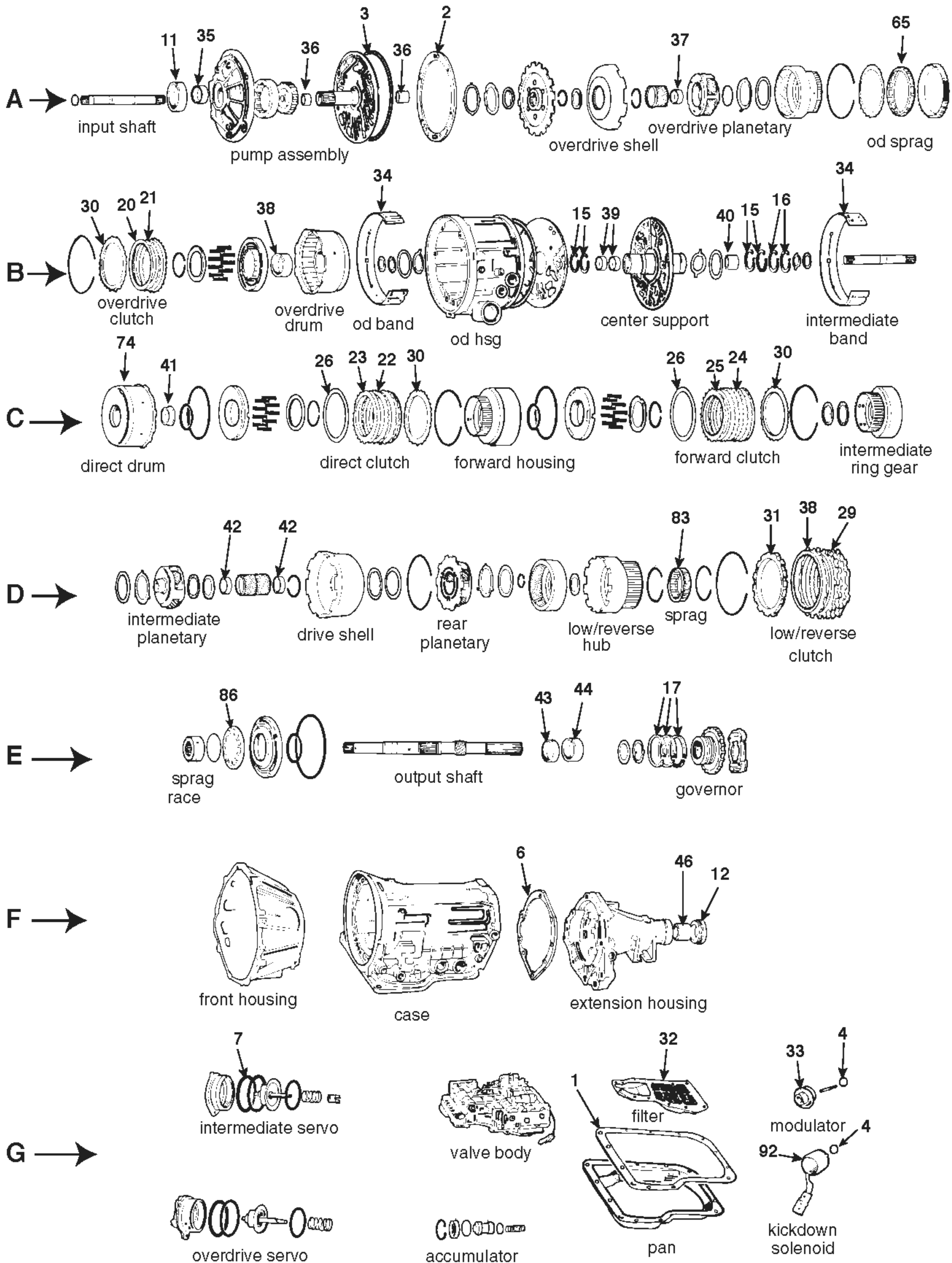
| ILL                                 | DESCRIPTION                               |  | QTY | YEAR  | REFERENCE #    | PART #  |
|-------------------------------------|---|--|-----|-------|----------------|---------|
| <b>METAL CLAD SEALS (CONTINUED)</b> |   |  |     |       |                |         |
| n/i                                 | Seal, metal clad                          | 4WD (adapter housing)                    | 1   | 87-89 | MD609235       | 46208   |
| n/i                                 | Seal, metal clad (not in kit)             | Suzuki sidekick 4WD (adapter housing)    | 1   | 87-89 | 29792-57B01    | 46209   |
| n/i                                 | Seal, metal clad                          | Toyota (speedo gear shat)                | 1   | 79-04 | 90310-09001    | 46203   |
| n/i                                 | Seal, metal clad                          | Volvo (speedo gear shaft)                | 1   | 74-97 | 380192-5       | 46210   |
| <b>SEALING RINGS</b>                |   |  |     |       |                |         |
| K10                                 | Kit, sealing ring                         | 3 speed (except below)                   | 1   | 73-86 | AE             | K46300  |
| K10                                 | Kit, sealing ring                         | BW55                                     | 1   | 74-84 | AE             | K46300A |
| K10                                 | Kit, sealing ring-combo early and late    | 4 speed                                  | 1   | 77-06 | AE             | K46300B |
| K10                                 | Kit, sealing ring                         | 4 speed                                  | 1   | 82-06 | AE             | K46300D |
| A26                                 | Ring, sealing                             | 3 speed (stator support)                 | 2   | 73-81 | 35617-22010    | 46300   |
| A26                                 | Ring, sealing                             | 4 speed (stator support)                 | 2   | 77-81 | 35617-22020    | 46301   |
| A26                                 | Ring, sealing (metal)                     | all (stator support)                     | 2   | 82-06 | 35617-16010    | 62301   |
| B27                                 | Ring, sealing                             | 4 speed (overdrive housing)              | 2   | 77-81 | 35617-22020    | 46301   |
| B27                                 | Ring, sealing (metal)                     | all (overdrive housing)                  | 2   | 81-06 | 35617-16010    | 62301   |
| D28                                 | Ring, sealing                             | 4 speed (center support)                 | 3   | 73-81 | 35617-22020    | 46301   |
| D28                                 | Ring, sealing (metal)                     | all (center support)                     | 3   | 82-06 | 35617-16010    | 62301   |
| E29                                 | Ring, sealing                             | BW55 (sun gear shaft)                    | 2   | 74-84 | 0445-016-002A  | 46304   |
| E29                                 | Ring, sealing (hook joint)                | inside rear cl retainer (sun gear shaft) | 2   | 73-06 | 35749-22010    | 2823K   |
| E29                                 | Ring, sealing                             | all A43 and A46 series (sun gear shaft)  | 2   | 81-06 | 35749-30010    | 46305   |
| E30                                 | Ring, sealing (not in kit)                | 4 speed (intermediate shaft)             | 1   | 77-06 | 35748-30010    | 46306T  |
| F31                                 | Ring, sealing                             | output shaft/governor                    | 3   | 73-06 | 35735-22010    | 46302   |
| <b>CLUTCH PLATES</b>                |   |  |     |       |                |         |
| A34                                 | Friction .091" 5.0" id 24T                | overdrive direct                         | 1/2 | 77-06 | 35677-22030    | 46100   |
| A35                                 | Steel .071" 4.0" id 8T (short)            | overdrive direct                         | 2/3 | 77-79 | 35634-22070    | 46101   |
| A35                                 | Steel .079" 4.0" id 8T (short)            | overdrive direct                         | 2/3 | 80-06 | 35634-30070    | 46101A  |
| A35                                 | Steel, dished (not in kit)                | A46DE (overdrive direct)                 | 1   | 91-06 | 34618-30010    | 46117   |
| B36                                 | Friction .091" 5.0" id 24T                | A40D/A42D/AW70 (overdrive brake)         | 2/3 | 77-06 | 35677-22020    | 46100   |
| B36                                 | Friction .091" 5.590" od 44T              | overdrive brake (except above)           | 3   | 81-83 | 35677-30010    | 46105   |
| B36                                 | Friction .067" 5.590" od 33T (thin paper) | overdrive brake (except above)           | 3   | 84-06 | 35677-30040    | 75102   |
| B37                                 | Steel .071" 4.0" id 8T (long)             | A40D/A42D/AW70                           | 2/3 | 77-06 | 35634-22090    | 46102   |
| B37                                 | Steel .079" 4.6" id 7T                    | overdrive brake (except above)           | 3   | 81-06 | 35634-30080    | 46107A  |
| B37                                 | Steel .091" 4.6" id 7T                    | overdrive brake                          | ar  | 81-06 | 35634-30010    | 46107B  |
| C38                                 | Friction .091" 5.0" id 24T                | forward (front)                          | 3/4 | 73-06 | 35677-30030    | 46100   |
| C38                                 | Friction .079" 5.0" od 24T                | A46DE/A43D (forward front)               | 4/5 | 91-06 | 35677-22060    | 46100A  |
| C39                                 | Steel .071" 4.0" id 8T (short)            | forward (front)(except below)            | 3/4 | 73-06 | 35634-22070    | 46101   |
| C39                                 | Steel .079" 4.0" id 8T (short)            | A46DE (forward front)                    | 3/4 | 80-06 | 35634-30070    | 46101A  |
| C39                                 | Steel .055" 4.0" id 8T (short)            | Prevla A46DE (forward front)             | 1   | 91-06 | 35634-30090    | 46113   |
| C39                                 | Steel .091" 4.0" id 8T (short)            | A46DE (forward front)                    | ar  | 91-06 | 35634-30120    | 46114   |
| C40                                 | Friction .091" 5.0" id 24T                | direct (rear)                            | 2/3 | 73-06 | 35677-30020/30 | 46100   |
| C41                                 | Steel .071" 4.0" id 8T (short)            | direct (rear)                            | 2/3 | 73-06 | 35634-22070    | 46101   |
| C41                                 | Steel .079" 4.0" id 8T (short)            | direct (rear)                            | ar  | 80-06 | 35634-30070    | 46101A  |
| D42                                 | Friction .091" 5.0" id 24T                | overrun brake (B1)                       | 1/3 | 73-06 | 35677-30030    | 46100   |
| D43                                 | Steel .071" 4.0" id 8T (long)             | A40D/A42D/AW70 (overrun brake B1)        | 1/3 | 73-06 | 35634-22090    | 46102   |
| D43                                 | Steel .079" 4.0" id 8T (long)             | overrun brake (B1)                       | ar  | 80-06 | 35648-30010    | 46112   |
| D44                                 | Friction .091" 5.0" id 24T                | intermediate brake (B2)                  | 2/3 | 73-06 | 35677-22050    | 46100   |
| D44                                 | Friction .079" 5.0" od 24T                | intermediate brake (B2)                  | 2/3 | 91-06 | 35677-22060    | 46100A  |
| D45                                 | Steel .071" 4.0" id 8T (long)             | intermediate brake (B2)                  | 2/4 | 73-87 | 35634-22090    | 46102   |
| D45                                 | Steel .091" 4.0" id 8T (long)             | intermediate brake (B2)                  | 3   | 88-06 | 35648-30020    | 46101C  |
| D45                                 | Steel .079" 4.0" id 8T (long)             | intermediate brake (B2)                  | ar  | 80-06 | 35648-30010    | 46112   |
| D45                                 | Steel .118" 4.0" id 8T (long)             | intermediate brake (B2)                  | ar  | 80-06 | 35648-22010    | 46108   |
| E46                                 | Friction .091" 5.0" id 16T                | low/reverse brake (B3)                   | 4/5 | 73-06 | 35633-30030    | 46103   |
| E47                                 | Steel .071" 4.0" id 15T                   | low/reverse brake (B3)                   | 4/5 | 73-06 | 35634-22080    | 46104   |

# A40•A41•A42•AW70•AW71•A44D•A44DL•A44DE•A46DE

A40•41•42•AW70•71•A44D•DL•DE•A46DE

| ILL                         | DESCRIPTION                       |  | QTY | YEAR  | REFERENCE # | PART #   |
|-----------------------------|-----------------------------------|--|-----|-------|-------------|----------|
| <b>PRESSURE PLATES</b>      |                                   |  |     |       |             |          |
| A51                         | Pressure plate .100" 8T (short)   | overdrive brake                          | 1   | 77-06 | 35615-30010 | 46717-R  |
| B52                         | Pressure plate 8T (long)          | overdrive brake                          | sel | 77-06 | 34625-30020 | 46718-R  |
| B52                         | Pressure plate 7T                 | overdrive brake                          | 1   | 81-06 | 34625-22010 | 46719-R  |
| C53                         | Pressure plate .155" 8T (short)   | short direct clutch                      | 1   | 73-06 | 35675-22140 | 46716-R  |
| D54                         | Pressure plate 8T (long)          | overrun and intermediate clutch          | 1/2 | 73-06 | 35625-22010 | 46714-R  |
| E55                         | Pressure plate 15T                | low/reverse brake                        | 1   | 73-06 | 35639-22010 | 46715-R  |
| <b>FILTERS</b>              |                                   |  |     |       |             |          |
| K9                          | Kit, filter                       | all 3 speed (neoprene/cork)              | 1   | 73-86 | AE          | FK46800  |
| K9                          | Kit, filter                       | all 3 speed (Duraprene®)                 | 1   | 73-86 | AE          | DK46800  |
| K9                          | Kit, filter                       | A40D (neoprene/cork)                     | 1   | 77-85 | AE          | FK46800A |
| K9                          | Kit, filter                       | A40D (Duraprene®)                        | 1   | 77-85 | AE          | DK46800A |
| K9                          | Kit, filter                       | A42D/A43D/A44D/AW70/AW71 (neoprene/cork) | 1   | 79-06 | AE          | FK46800D |
| K9                          | Kit, filter                       | A42D/A43D/A44D/AW70/AW71 (Duraprene®)    | 1   | 79-06 | AE          | DK46800D |
| K9                          | Kit, filter                       | all DL models (neoprene/cork)            | 1   | 81-06 | AE          | FK46800B |
| K9                          | Kit, filter                       | all DL models (Duraprene®)               | 1   | 81-06 | AE          | DK46800B |
| K9                          | Kit, filter                       | all DE models (neoprene/cork)            | 1   | 83-06 | AE          | FK46800C |
| K9                          | Kit, filter                       | all DE models (Duraprene®)               | 1   | 83-06 | AE          | DK46800C |
| H58                         | Filter                            | all 3 speed                              | 1   | 73-86 | 35303-22020 | 46800    |
| H58                         | Filter                            | A40D                                     | 1   | 77-85 | 35303-30031 | 46800A   |
| H58                         | Filter                            | A42D/A43D/A44D/AW70/AW71                 | 1   | 79-06 | 35303-30050 | 46800D   |
| H58                         | Filter                            | all DL/DF models                         | 1   | 81-06 | 35303-14010 | 46800B   |
| H58                         | Filter                            | all DE models                            | 1   | 83-06 | 35303-30060 | 46800C   |
| <b>BUSHINGS</b>             |                                   |  |     |       |             |          |
| K13                         | Kit, bushing complete             | A40/A40D (9 pieces)                      | 1   | 73-06 | AE          | K46901   |
| A60                         | Bushing                           | pump body                                | 1   | 73-06 | n/a         | 46001    |
| A61                         | Bushing 21.501mm bore 9.5mm       | stator support (front/rear)              | 2   | 73-06 | n/a         | 46007    |
| A61                         | Bushing 17mm 21.561mm bore        | stator support (front/rear) (not in kit) | 2   | 80-06 | n/a         | 46007A   |
| A62                         | Bushing 25.38mm bore (not in kit) | 40D/42/43 overdrive sun gear             | 1   | 77-06 | n/a         | 46010    |
| B63                         | Bushing 11.2mm bore (not in kit)  | A40D/42/43 overdrive input shaft         | 1   | 77-06 | n/a         | 46011    |
| D64                         | Bushing 36.386mm bore             | center support                           | 1   | 73-06 | n/a         | 46004    |
| E65                         | Bushing 21.501mm bore 9.5mm       | sun gear shaft front and rear            | 2   | 73-06 | n/a         | 46007    |
| F66                         | Bushing 18.011mm bore 9.7mm       | output shaft                             | 1   | 73-06 | n/a         | 46005    |
| G67                         | Bushing (babbitt) 38.113mm bore   | case (rear)                              | 1   | 73-06 | n/a         | 12502    |
| G68                         | Bushing w/38mm yoke               | extension housing (Toyota only)          | 1   | 73-06 | n/a         | 46006    |
| G68                         | Bushing w/35mm yoke (not in kit)  | extension housing (Toyota only)          | 1   | 73-06 | n/a         | 46006A   |
| G68                         | Bushing 1 5/16" od                | Volvo/Datsun extension housing           | 1   | 73-06 | 235878-6    | 19002X   |
| <b>PUMP PARTS AND PUMPS</b> |                                   |  |     |       |             |          |
| A90                         | Complete, pump                    | A40 3 speed                              | 1   | 73-86 | n/a         | 46424-R  |
| <b>HARD PARTS</b>           |                                   |  |     |       |             |          |
| n/i                         | Cable repair end                  | fixes bottom end of most cables          | 1   | 73-06 | AE          | 96-198   |
| <b>SPRAGS</b>               |                                   |  |     |       |             |          |
| B97                         | Sprag (18 elements)               | overdrive                                | 1   | 77-89 | 35791-30020 | 46502    |
| B97                         | Sprag (20 elements)               | overdrive                                | 1   | 90-06 | 35791-30030 | 46502A   |
| B97                         | Sprag (22 elements)               | overdrive                                | 1   | 89-06 | 35791-28010 | 46502B   |
| E114                        | Sprag (18 elements)               | intermediate                             | 1   | 73-06 | 35791-30020 | 46502    |
| E117                        | Sprag (20 elements)               | low                                      | 1   | 73-86 | 35792-20010 | 46503    |
| E117                        | Sprag (26 elements) .318"         | low (all except below)                   | 1   | 81-06 | 35792-30011 | 46503B   |
| E117                        | Sprag (26 elements) .402"         | A44/A45 series (low)                     | 1   | 84-06 | 35792-30030 | 46503C   |
| <b>NOTES</b>                |                                   |  |     |       |             |          |
|                             |                                   |  |     |       |             |          |
|                             |                                   |  |     |       |             |          |
|                             |                                   |  |     |       |             |          |
|                             |                                   |  |     |       |             |          |





L/3N71B/E/L4N71B/N4A-EL  
45000/B/C

| ILL                                  | DESCRIPTION                               | QTY | YEAR  | REFERENCE #   | PART #    |
|--------------------------------------|---|-----|-------|---------------|-----------|
| <b>TECHNICAL MANUALS</b>             |   |     |       |               |           |
| K53                                  | Tech manual N4A-EL dis/assembly           | 1   | 88-92 | 83-N4AELTM    | 010-448   |
| K53                                  | Tech manual L4N71B dis/assembly           | 1   | 83-92 | 83-L4N71BTM   | 010-417   |
| <b>REBUILDER KITS</b>                |   |     |       |               |           |
| K4                                   | Master deluxe rebuild kit                 | 1   | 71-87 | AE            | K4500-R   |
| K4                                   | Master deluxe rebuild kit                 | 1   | 77-82 | AE            | K4500A-R  |
| K4                                   | Master deluxe rebuild kit                 | 1   | 83-97 | AE            | K4500B-R  |
| K4                                   | Master deluxe rebuild kit                 | 1   | 88-92 | AE            | K4500C-R  |
| K5                                   | Master kit w/steels                       | 1   | 71-87 | AE            | K4500     |
| K5                                   | Master kit w/steels                       | 1   | 77-82 | AE            | K4500A    |
| K5                                   | Master kit w/steels                       | 1   | 83-97 | AE            | K4500B    |
| K5                                   | Master kit w/steels                       | 1   | 88-92 | AE            | K4500C    |
| K6                                   | Master kit w/o steels                     | 1   | 71-87 | AE            | K4500-LS  |
| K6                                   | Master kit w/o steels                     | 1   | 77-82 | AE            | K4500A-LS |
| K6                                   | Master kit w/o steels                     | 1   | 83-97 | AE            | K4500B-LS |
| K6                                   | Master kit w/o steels                     | 1   | 88-92 | AE            | K4500C-LS |
| K7                                   | O/H gasket set w/seals-rings              | 1   | 71-82 | AE            | K45900    |
| K7                                   | O/H gasket set w/seals-rings              | 1   | 83-97 | AE            | K45900B   |
| K7                                   | O/H gasket set w/seals-rings              | 1   | 88-92 | AE            | K45900C   |
| K11                                  | Gasket and seal kit                       | 1   | 71-89 | AE            | K45900-1  |
| K11                                  | Gasket and seal kit                       | 1   | 83-97 | AE            | K45900B-1 |
| K11                                  | Gasket and seal kit                       | 1   | 88-92 | AE            | K45900C-1 |
| <b>VALVE BODY KITS</b>               |   |     |       |               |           |
| K15                                  | Shift Kit® 1-2 slide/2-3 spin-up          | 1   | 88-90 | SK® N4AEL     | K45908C   |
| K15                                  | Shift correction spring kit               | 1   | 88-90 | K005          | 45962     |
| <b>GASKETS AND RUBBER COMPONENTS</b> |   |     |       |               |           |
| G1                                   | Gasket, oil pan (14 holes)(Duraprene®)    | 1   | 71-97 | 31397-X0102   | 13100D    |
| G1                                   | Gasket, oil pan (14 holes)(neoprene/cork) | 1   | 71-97 | 31397-X0102   | 13100X    |
| G1                                   | Gasket, oil pan (17 holes)(neoprene/cork) | 1   | 77-82 | D7DZ-7A191-A  | 13100AX   |
| G1                                   | Gasket, oil pan (17 holes)(Duraprene®)    | 1   | 77-82 | D7DZ-7A191-AF | 13100AD   |
| A2                                   | Gasket, pump                              | 1   | 71-87 | D47Z-7A136-A  | 13101     |
| A2                                   | Gasket, pump                              | 1   | 80-87 | 31387-X8600   | 13101A    |
| A2                                   | Gasket, pump                              | 1   | 83-97 | 31366-X8600   | 13102A    |
| A3                                   | D'ring                                    | 1   | 71-97 | D37Z-7A248-B  | 13102     |
| G4                                   | O'ring                                    | 2   | 71-97 | 31933-X0100   | 13822     |
| F6                                   | Gasket, extension housing                 | 1   | 71-97 | D37Z-7086-A   | 13108     |
| G7                                   | O'ring                                    | 1   | 71-87 | D7DZ-7D026-A  | 13109     |
| n/i                                  | O'ring                                    | 1   | 71-97 | E92Z-7F377-B  | 13104     |
| n/i                                  | O'ring                                    | 2   | 83-97 | 31947-X8600   | 13105     |
| n/i                                  | O'ring                                    | 1   | 81-97 | 32710-14600   | 23861     |
| <b>METAL CLAD SEALS</b>              |   |     |       |               |           |
| A11                                  | Seal, metal clad                          | 1   | 71-97 | D37Z-7A248-A  | 45200     |
| F12                                  | Seal, metal clad 50x35x11mm               | 1   | 71-87 | 31336-X0101   | 45201     |
| F12                                  | Seal, metal clad 48x35x13mm               | 1   | 74-83 | 0439-17-335A  | 45201A    |
| F12                                  | Seal, metal clad 50x38x9mm                | 1   | 83-97 | 31336-X8000   | 45201B    |
| F12                                  | Seal, metal clad 60x38x10mm (w/boot)      | 1   | 77-87 | D5AZ-7052-B   | 16695E    |
| F12                                  | Seal, metal clad 60x38x12mm               | 1   | 77-87 | 3932255       | 8850B     |
| F12                                  | Seal, metal clad 51x38x13mm               | 1   | 86-97 | M502-17-335A  | 78202     |
| n/i                                  | Seal, metal clad 62x44x10mm               | 1   | 87-97 | 31336-X6901   | 78205     |
| n/i                                  | Seal, metal clad 65x42x11mm               | 1   | 87-97 | M504-17-335   | 78208     |
| n/i                                  | Seal, metal clad 16x10x4mm                | 1   | 71-86 | 32709-14600   | 64205     |
| n/i                                  | Seal, metal clad 16x10x5.2mm              | 1   | 87-92 | 32709-58S00   | 45202A    |
| n/i                                  | Seal, metal clad 16x7x6mm                 | 1   | 80-97 | 9958-60-8166  | 50207     |

# 3N71B•L3N71B•4N71B•L4N71B•N4AEL

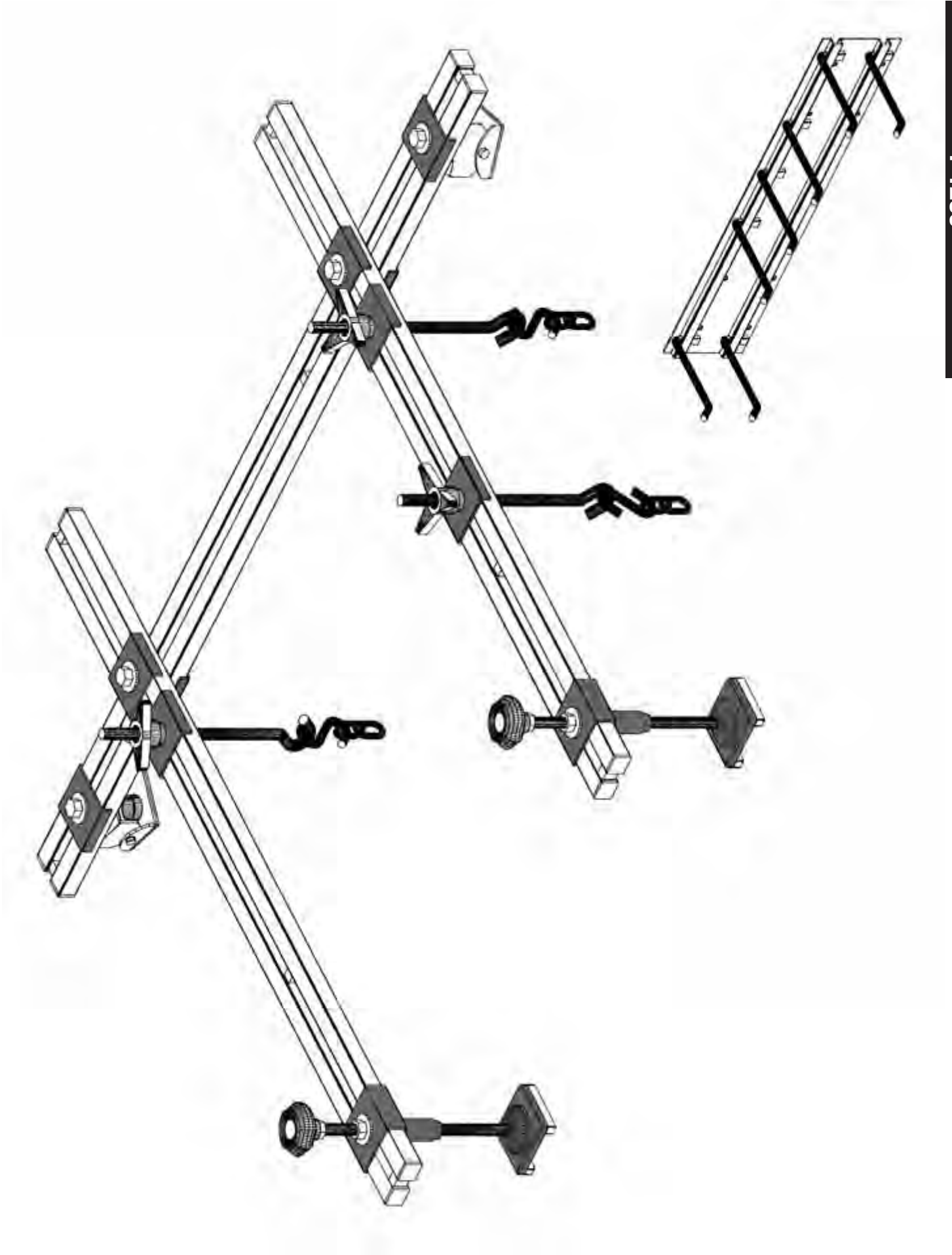
L3N71B•L4N71B•N4AEL

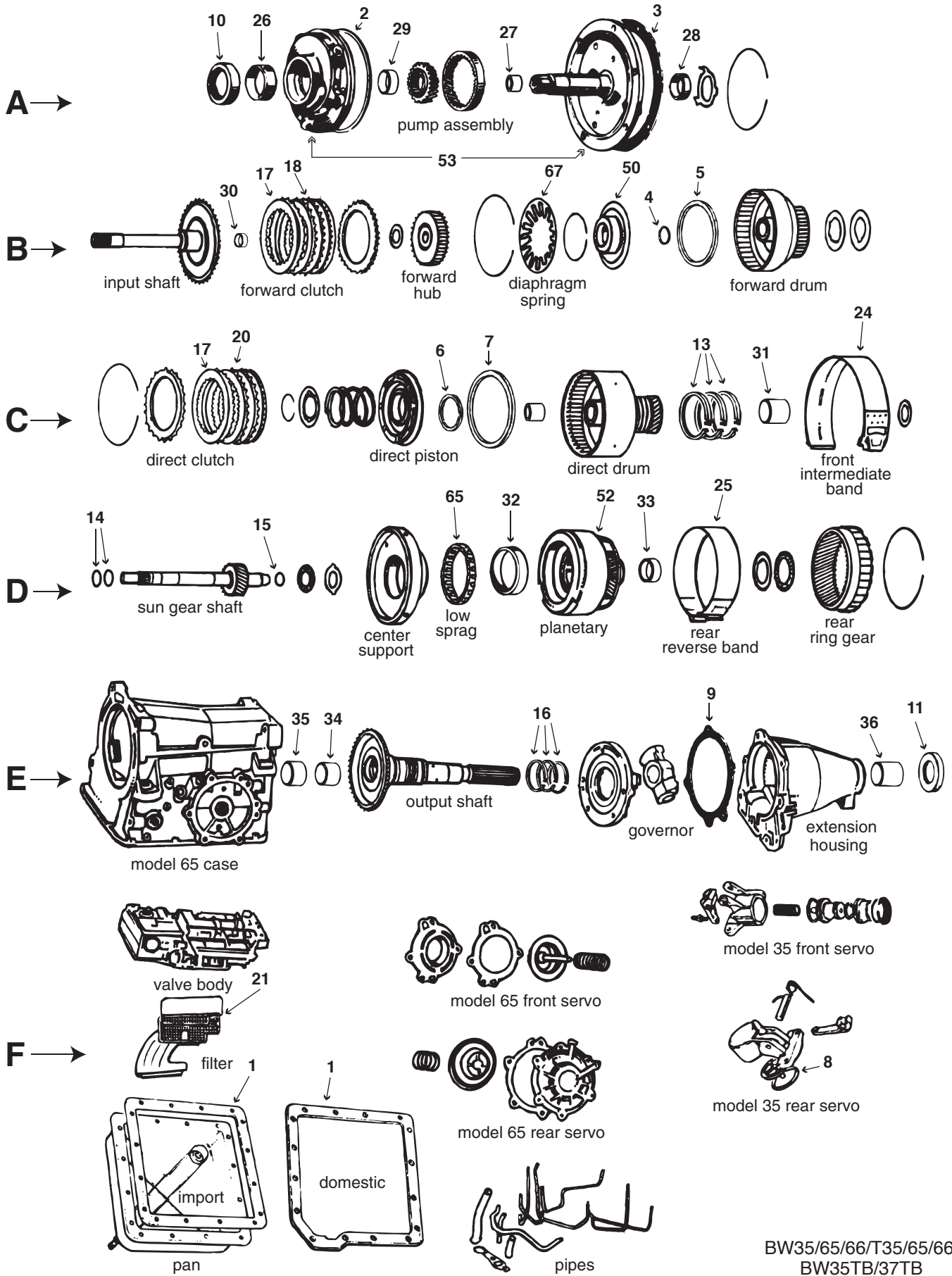
| ILL                    | DESCRIPTION                  | QTY                                       | YEAR | REFERENCE # | PART #        |          |
|------------------------|------------------------------|---|------|-------------|---------------|----------|
| <b>SEALING RINGS</b>   |                              |   |      |             |               |          |
| K10                    | Kit, sealing ring            | L/3N71B                                   | 1    | 71-87       | AE            | K45300   |
| K10                    | Kit, sealing ring            | E/L4N71B                                  | 1    | 83-97       | AE            | K45300A  |
| B15                    | Sealing ring (metal)         | direct/overdrive clutch drum              | 2/4  | 71-97       | D37Z-7D019-A  | 45300    |
| B15                    | Sealing ring (teflon)        | direct/overdrive clutch drum              | 2/4  | 71-97       | 31361-X0100   | 45300T   |
| B16                    | Sealing ring (metal)         | stator/center supt to fwd/rear clutch hsg | 2    | 71-97       | D37Z-7D020-A  | 45302    |
| B16                    | Sealing ring (teflon)        | stator/center supt to fwd/rear clutch hsg | 2    | 71-97       | 31362-X0100   | 45302T   |
| E17                    | Sealing ring (metal)         | governor support                          | 2/3  | 71-97       | D37Z-7D011-A  | 45301    |
| E17                    | Sealing ring (teflon)        | governor support                          | 2/3  | 71-97       | 31487-X8000   | 45301T   |
| n/i                    | Sealing ring                 | lube oil                                  | 1    | 83-84       | 31673-X8610   | 45303AT  |
| n/i                    | Sealing ring                 | od accum (sm w/1/4" gap for planet lube)  | 1    | 85-97       | 31673-X8682   | 45304T   |
| n/i                    | Sealing ring                 | overdrive accumulator (large)             | 1    | 83-97       | 31672-X8600   | 45303T   |
| n/i                    | Ring, lube oil               | E/L4N71B                                  | 1    | 83-97       | 31579-8090    | 45305    |
| <b>CLUTCH PLATES</b>   |                              |   |      |             |               |          |
| B20                    | Friction .061" 4.530" od 44T | overdrive clutch                          | 2/4  | 83-97       | 31532-X0102   | 45103    |
| B21                    | Steel .079" 3.625" id 28T    | overdrive clutch                          | 3/4  | 83-85       | BU55-19-499   | 45101    |
| B21                    | Steel .063" 3.625" id 28T    | overdrive clutch                          | 2    | 85-97       | F101-19-499   | 65101    |
| B21                    | Steel .098" 3.625" id 28T    | overdrive clutch                          | sel  | 85-97       | 31536-X0101OS | 65101X   |
| B21                    | Steel .032" 3.625" id 28T    | overdrive clutch                          | sel  | 71-97       | 31536-X0101US | 45101X   |
| C22                    | Friction .061" 4.530" od 44T | direct clutch                             | 3/5  | 71-97       | D372-7B164-A  | 45103    |
| C23                    | Steel .079" 3.625" id 28T    | direct clutch                             | 3/5  | 71-86       | D372-7B442-A  | 45101    |
| C23                    | Steel .063" 3.625" id 28T    | direct clutch                             | 4/6  | 87-97       | 31536-X5000   | 65101    |
| C23                    | Steel .098" 3.625" id 28T    | direct clutch                             | sel  | 71-97       | 31536-X0101OS | 65101X   |
| C23                    | Steel .032" 3.625" id 28T    | direct clutch                             | sel  | 71-97       | 31536-X0101US | 45101X   |
| C24                    | Friction .061" 4.530" od 44T | forward clutch                            | 3/6  | 71-97       | 31532-X0100   | 45103    |
| C25                    | Steel .079" 3.625" id 28T    | forward clutch                            | 3/5  | 71-86       | 31536-X0101   | 45101    |
| C25                    | Steel .063" 3.625" id 28T    | forward clutch                            | 4/6  | 71-86       | 31536-X5001   | 65101    |
| C25                    | Steel .098" 3.625" id 28T    | forward clutch                            | sel  | 87-97       | 31536-X0101OS | 65101X   |
| C25                    | Steel .032" 3.625" id 28T    | forward clutch                            | sel  | 71-97       | 31536-X0101US | 45101X   |
| C26                    | Steel, dished (not in kits)  | direct clutch                             | 1    | 71-97       | 31529-X0100   | 45104-R  |
| C26                    | Steel, dished (not in kits)  | forward clutch                            | 1    | 71-97       | 31529-X0100   | 45104-R  |
| D28                    | Friction .092" 5.117" od 51T | low/reverse clutch                        | 4/8  | 71-97       | 31662-X0102   | 45102    |
| D29                    | Steel .071" 4.212" id 13T    | low/reverse clutch                        | 4/8  | 71-97       | D37Z-7B442-B  | 45100    |
| n/i                    | Steel, dished (not in kit)   | low/reverse clutch                        | 1    | 71-97       | D37Z-7D406-A  | 45105-R  |
| <b>PRESSURE PLATES</b> |                              |   |      |             |               |          |
| B30                    | Pressure plate .189"         | overdrive clutch                          | sel  | 83-97       | 31567-X2900   | 65716-R  |
| B30                    | Pressure plate .197"         | overdrive clutch                          | sel  | 83-97       | 31567-X2902   | 65716A-R |
| B30                    | Pressure plate .205"         | overdrive clutch                          | sel  | 83-97       | 31567-X2903   | 65716B-R |
| B30                    | Pressure plate .213"         | overdrive clutch                          | sel  | 83-97       | 31567-X2905   | 65716C-R |
| B30                    | Pressure plate .327"         | overdrive clutch                          | sel  | 83-97       | 31567-X2906   | 45714-R  |
| B30                    | Pressure plate .433"         | overdrive clutch                          | sel  | 83-97       | 31567-X2907   | 45714B-R |
| C30                    | Pressure plate .189"         | direct/forward clutch                     | sel  | 71-97       | 31567-X2900   | 65716-R  |
| C30                    | Pressure plate .197"         | direct/forward clutch                     | sel  | 71-97       | 31567-X2902   | 65716A-R |
| C30                    | Pressure plate .205"         | direct/forward clutch                     | sel  | 71-97       | 31567-X2903   | 65716B-R |
| C30                    | Pressure plate .213"         | direct/forward clutch                     | sel  | 71-97       | 31567-X2905   | 65716C-R |
| C30                    | Pressure plate .327"         | direct/forward clutch                     | sel  | 71-97       | 31567-X2906   | 45714-R  |
| C30                    | Pressure plate .433"         | direct/forward clutch                     | sel  | 71-97       | 31567-X2907   | 45714B-R |
| D31                    | Pressure plate .630"         | low/reverse                               | sel  | 71-97       | 31667-X0305   | 45716-R  |
| D31                    | Pressure plate .470"         | low/reverse                               | sel  | 71-97       | 31667-X0302   | 45716A-R |
| D31                    | Pressure plate .410"         | low/reverse                               | sel  | 71-97       | 31667-X0303   | 45716B-R |
| D31                    | Pressure plate .330"         | low/reverse                               | sel  | 71-97       | 31667-X0304   | 45716C-R |
| D31                    | Pressure plate .325"         | low/reverse                               | sel  | 71-97       | 31667-X6205   | 45716D-R |
| D31                    | Pressure plate .315"         | low/reverse                               | sel  | 71-97       | 31667-X0500   | 45716E-R |
| D31                    | Pressure plate .300"         | low/reverse                               | sel  | 71-97       | 31667-X0100   | 45716F-R |

| ILL                                 | DESCRIPTION                      | QTY                                       | YEAR  | REFERENCE #  | PART #        |         |
|-------------------------------------|----------------------------------|---|-------|--------------|---------------|---------|
| <b>PRESSURE PLATES (CONTINUED)</b>  |                                  |   |       |              |               |         |
| D31                                 | Pressure plate .290" low/reverse | sel                                       | 71-97 | 31667-X2900  | 45716G-R      |         |
| <b>FILTERS</b>                      |                                  |   |       |              |               |         |
| K9                                  | Kit, filter (w/internal servo)   | 1   | 71-87 | AE           | FK45800       |         |
| K9                                  | Kit, filter (w/internal servo)   | 1   | 71-87 | AE           | DK45800       |         |
| K9                                  | Kit, filter (w/external servo)   | 1   | 77-82 | AE           | FK45800A      |         |
| K9                                  | Kit, filter (w/external servo)   | 1   | 77-82 | AE           | DK45800A      |         |
| K9                                  | Kit, filter                      | 1   | 83-97 | AE           | FK45800B      |         |
| K9                                  | Kit, filter                      | 1   | 83-97 | AE           | DK45800B      |         |
| K9                                  | Kit, filter                      | 1   | 88-92 | AE           | FK45800C      |         |
| K9                                  | Kit, filter                      | 1   | 88-92 | AE           | DK45800C      |         |
| K9                                  | Kit, filter (4wd)(Nissan/Mazda)  | 1   | 87-97 | AE           | FK45800D      |         |
| K9                                  | Kit, filter (4wd)(Nissan/Mazda)  | 1   | 87-97 | AE           | DK45800D      |         |
| G32                                 | Filter (w/internal servo)        | 1   | 71-87 | 31728-X0101  | 45800         |         |
| G32                                 | Filter (w/external servo)        | 1   | 77-82 | D7DZ-7A098-A | 45800A        |         |
| G32                                 | Filter                           | 1   | 83-97 | 31728-X8600  | 45800B        |         |
| G32                                 | Filter                           | 1   | 88-92 | BV01-19-815  | 45800C        |         |
| G32                                 | Filter (4WD)                     | 1   | 87-97 | BT40-19-815A | 45800D        |         |
| <b>MODULATORS</b>                   |                                  |   |       |              |               |         |
| G33                                 | Modulator, vacuum                | 1   | 71-87 | D7DZ-7A377-B | 45820A        |         |
| G33                                 | Modulator, vacuum (w/turbo)      | screw in                                  | 1     | 79-87        | 31931-X0105   | 45820D  |
| G33                                 | Modulator, vacuum                | push in w/bracket                         | 1     | 88-97        | BV04-19-823-A | 45820E  |
| <b>BANDS</b>                        |                                  |   |       |              |               |         |
| B34                                 | Band, flex                       | overdrive (replaces hard type)            | 1     | 71-97        | D37Z-7D034-A  | 45700A  |
| B34                                 | Band, flex                       | intermediate                              | 1     | 83-97        | D37Z-7D034-A  | 45700A  |
| <b>BUSHINGS</b>                     |                                  |   |       |              |               |         |
| K13                                 | Kit, bushing                     | L/3N71B                                   | 1     | 71-87        | AE            | K45901  |
| K13                                 | Kit, bushing                     | E/L4N71B/N4A-EL                           | 1     | 83-97        | AE            | K45901A |
| A35                                 | Bushing                          | L/3N71B/E/L4N71B/N4A-EL (pump body)       | 1     | 71-97        | 31343-X0100   | 45005   |
| A36                                 | Bushing .76" id                  | L/3N71B (stator support front and rear)   | 1/2   | 71-97        | 31353-X0101   | 45007   |
| A36                                 | Bushing                          | E/L4N71B/N4A-EL (stator support front)    | 1     | 83-97        | 31532-X6100   | 45000   |
| n/i                                 | Bushing                          | E/L4N71B/N4A-EL (stator support middle)   | 1     | 83-97        | 31353-X8600   | 45001   |
| A36                                 | Bushing                          | E/L4N71B/N4A-EL (stator support rear)     | 1     | 83-97        | 31354-X6100   | 45004   |
| A37                                 | Bushing 1.35" od                 | E/L4N71B/N4A-EL (overdrive sun gear)      | 2     | 83-97        | 31592-X8600   | 45003   |
| A37                                 | Bushing 1.26" od                 | E/L4N71B/N4A-EL (overdrive sun gear)      | 1     | 83-97        | 31592-X9000   | 45010   |
| B38                                 | Bushing                          | E/L4N71B/N4A-EL (overdrive drum)          | 1     | 83-97        | 31503-X8601   | 45002   |
| B39                                 | Bushing 1.36" id                 | E/L4N71B/N4A-EL (center support front)    | 1     | 83-97        | 31388-X8070   | 45011   |
| B39                                 | Bushing .76" id                  | E/L4N71B/N4A-EL (center support middle)   | 1     | 83-97        | 31353-X0101   | 45007   |
| B40                                 | Bushing .76" id                  | E/L4N71B/N4A-EL (center support rear)     | 1     | 83-97        | 31353-X0101   | 45007   |
| C41                                 | Bushing                          | direct clutch drum                        | 1     | 71-97        | 31375-X0101   | 45006   |
| D42                                 | Bushing                          | L/3N71B (sun gear front and rear wide)    | 2     | 71-87        | 31462-X0101   | 45009   |
| D42                                 | Bushing                          | E/L4N71B/N4A-EL (sun gear front/rear nar) | 2     | 83-97        | 31462-X6100   | 45013   |
| E43                                 | Bushing                          | L/3N71B/E/L4N71B/N4A-EL (case front nar)  | 1     | 71-97        | 31375-X0101   | 45012   |
| E44                                 | Bushing                          | L/3N71B/E/L4N71B/N4A-EL (case rear wide)  | 1     | 71-97        | 31373-X0101   | 45008   |
| F46                                 | Bushing (babbit)                 | L/3N71B (extension hsg w/external servo)  | 1     | 71-87        | B3TZ-7A034-A  | 6014    |
| F46                                 | Bushing                          | L/3N71B (extension hsg w/internal servo)  | 1     | 71-87        | 31332-X0100   | 45014   |
| F46                                 | Bushing                          | E/L4N71B/N4A-EL (extension housing)       | 1     | 83-97        | 31332-X8000   | 78008   |
| <b>WASHERS/BEARINGS/RACES/SHIMS</b> |                                  |   |       |              |               |         |
| n/i                                 | Washer, thrust .065"             | stator/center support to direct drum      | 1     | 71-97        | D37Z-7D014-G  | 45400B  |
| n/i                                 | Washer, thrust .077"             | stator/center support to direct drum      | 1     | 71-97        | D37Z-7D014-A  | 45400C  |
| n/i                                 | Washer, thrust .085"             | stator/center support to direct drum      | 1     | 71-97        | D37Z-7D014-B  | 45400D  |
| n/i                                 | Washer, thrust .093"             | stator/center support to direct drum      | 1     | 71-97        | D37Z-7D014-C  | 45400E  |
| n/i                                 | Washer, thrust .097"             | stator/center support to direct drum      | 1     | 71-97        | D37Z-7D014-D  | 45400F  |









BW35/65/66/T35/65/66  
 BW35TB/37TB  
 19000/47000/58000

| ILL                                  | DESCRIPTION                               | QTY  | YEAR | REFERENCE # | PART #        |           |
|--------------------------------------|---|--|------|-------------|---------------|-----------|
| <b>REBUILDER KITS</b>                |   |  |      |             |               |           |
| K4                                   | Master deluxe rebuild kit (w/o rear seal) | BW35/T35/type 2 USA                        | 1    | 62-71       | AE            | K1900B-R  |
| K4                                   | Master deluxe rebuild kit (w/o rear seal) | BW35/T35/type 1 non USA                    | 1    | 63-76       | AE            | K1900X-R  |
| K4                                   | Master deluxe rebuild kit                 | BMW T65/66                                 | 1    | 73-76       | AE            | K4700-R   |
| K4                                   | Master deluxe rebuild kit                 | Jaguar T65/66                              | 1    | 79-88       | AE            | K4700A-R  |
| K5                                   | Master kit w/steels (w/o rear seal)       | BW35/T35/type 2 USA                        | 1    | 62-71       | AE            | K1900B    |
| K5                                   | Master kit w/steels (w/o rear seal)       | BW35/T35/type 1 non USA                    | 1    | 63-76       | AE            | K1900X    |
| K5                                   | Master kit w/steels                       | BMW T65/66                                 | 1    | 73-76       | AE            | K4700     |
| K5                                   | Master kit w/steels                       | Jaguar T65/66                              | 1    | 79-88       | AE            | K4700A    |
| K5                                   | Master kit w/steels                       | Saab BW35TB(type 5)                        | 1    | 68-80       | AE            | K5800     |
| K5                                   | Master kit w/steels                       | Saab 900/9000 BW37TB                       | 1    | 81-93       | AE            | K5800A    |
| K6                                   | Master kit w/o steels (w/o rear seal)     | BW35/T35/type 2 USA                        | 1    | 62-71       | AE            | K1900B-LS |
| K6                                   | Master kit w/o steels (w/o rear seal)     | BW35/T35/type 1 non USA                    | 1    | 63-76       | AE            | K1900X-LS |
| K6                                   | Master kit w/o steels                     | BMW T65/66                                 | 1    | 71-76       | AE            | K4700-LS  |
| K6                                   | Master kit w/o steels                     | Jaguar T65/66                              | 1    | 73-88       | AE            | K4700A-LS |
| K6                                   | Master kit w/o steels                     | Saab BW35TB (type 5)                       | 1    | 68-80       | AE            | K5800-LS  |
| K6                                   | Master kit w/o steels                     | Saab 900/9000 BW37TB                       | 1    | 81-93       | AE            | K5800A-LS |
| K7                                   | O/H gasket set w/seals-rings              | BW35/T35/type 2 USA                        | 1    | 62-71       | AE            | K19900B   |
| K7                                   | O/H gasket set w/seals-rings              | BW35/T35/type 1 non USA (w/o rear seal)    | 1    | 63-76       | AE            | K19900X   |
| K7                                   | O/H gasket set w/seals-rings              | BMW T65/6                                  | 1    | 71-86       | AE            | K47900    |
| K7                                   | O/H gasket set w/seals-rings              | Jaguar T65/66                              | 1    | 73-88       | AE            | K47900A   |
| K7                                   | O/H gasket set w/seals-rings              | Saab BW35TB/type 5                         | 1    | 68-80       | AE            | K58900    |
| K7                                   | O/H gasket set w/seals-rings              | Saab 900/9000 BW37TB                       | 1    | 81-93       | AE            | K58900A   |
| K11                                  | Gasket and seal kit                       | BW35/T35/type 2 USA                        | 1    | 62-71       | AE            | K19900A-1 |
| K11                                  | Gasket and seal kit                       | BW35/T35/type 1 non USA                    | 1    | 63-76       | AE            | K19900-1X |
| K11                                  | Gasket and seal kit                       | BMW/Jaguar T65/66                          | 1    | 71-88       | AE            | K47900-1  |
| <b>GASKETS AND RUBBER COMPONENTS</b> |   |  |      |             |               |           |
| F1                                   | Gasket, oil pan                           | BW35/T35/type 2 USA (neoprene/cork)        | 1    | 62-71       | 3164825       | 3744LX    |
| F1                                   | Gasket, oil pan                           | BW35/T35/type 2 USA (Duraprene®)           | 1    | 62-71       | 3164825       | 3744D     |
| F1                                   | Gasket, oil pan                           | BW35/T35/type 1 non USA (neoprene/cork)    | 1    | 63-76       | 211E7A191     | 3740LX    |
| F1                                   | Gasket, oil pan                           | BW35/T35/type 1 non USA (Duraprene®)       | 1    | 63-76       | D1RY-7A191-A  | 3740D     |
| F1                                   | Gasket, oil pan                           | T65/66 (neoprene/cork)                     | 1    | 73-88       | 04650-45008V  | 3745LX    |
| F1                                   | Gasket, oil pan                           | T65/66 (Duraprene®)                        | 1    | 73-88       | 04650-45008V  | 3745D     |
| A2                                   | Seal, lathe cut                           | BW35/T35/type 1/2/T65/66 (front pump body) | 1    | 62-88       | 3165004       | 3822L     |
| A3                                   | Gasket, front pump                        | BW35/T35/type 1/2                          | 1    | 62-76       | 3164869       | 3823L     |
| A3                                   | Gasket, front pump                        | Jaguar/BMW T65/66                          | 1    | 73-93       | 046-504-5007Y | 3824L     |
| B4                                   | Seal, lathe cut                           | exc 70-71 type 2 (frt cl piston inner)     | 1    | 62-88       | 3165013       | 3826L     |
| B5                                   | Seal, lathe cut                           | BW35/T35/type 1/2 (frt cl piston outer)    | 1    | 62-88       | 3165012       | 3825L     |
| C6                                   | O'ring                                    | exc 70-71 type 2 (rear cl piston inner)    | 1    | 62-88       | 3165050       | 3831L     |
| C6                                   | O'ring                                    | BW35/T35/type 2 (rear cl piston inner)     | 1    | 70-71       | 3198561       | 13296     |
| C7                                   | Seal, lathe cut                           | BW35/T35/type 1/2 (rear cl piston outer)   | 1    | 62-88       | 3165009       | 3829L     |
| F8                                   | O'ring                                    | BW35/T35/type 1/2 (rear servo piston)      | 1    | 62-93       | 3165014       | 3821L     |
| E9                                   | Gasket, extension housing                 | 7/16" holes                                | 1    | 62-71       | 3170362       | 13930     |
| E9                                   | Gasket, extension housing                 | 5/16" holes                                | 1    | 71-93       | 3164899       | 13930A    |
| n/i                                  | O'ring                                    | TV cable                                   | 1    | 62-66       | 3163632       | 3566      |
| n/i                                  | O'ring                                    | manual lever shaft                         | 1    | 62-69       | 3187389       | 3499L     |
| <b>METAL CLAD SEALS</b>              |   |  |      |             |               |           |
| A10                                  | Seal, metal clad                          | Jaguar BW35/type 1/2/T65/66 (front)        | 1    | 62-71       | 3183886       | 19605     |
| A10                                  | Seal, metal clad                          | BW65/66/T65/66 (front narrow)              | 1    | 71-93       | 04650-44001   | 47200     |
| E11                                  | Seal, metal clad (w/flange w/o boot)      | extension housing (w/inclosed drive line)  | 1    | 63-65       | 3155168       | 4743C     |
| E11                                  | Seal, metal clad                          | extension housing (Volvo)                  | 1    | 63-75       | D2RY-70502-B  | 19677     |
| E11                                  | Seal, metal clad 60x38x12mm               | Studebaker extension housing (model 01)    | 1    | 62-88       | 1251450       | 8850B     |
| E11                                  | Seal, metal clad 1.950" od (not in kit)   | Opel/Holden/Vauxhal/Jag extension hsg      | 1    | 63-88       | 235728-3      | 47201A    |
| E11                                  | Seal, metal clad                          | BMW BW65/66/T65/66 (extension housing)     | 1    | 73-76       | 046-504-4002H | 47201     |

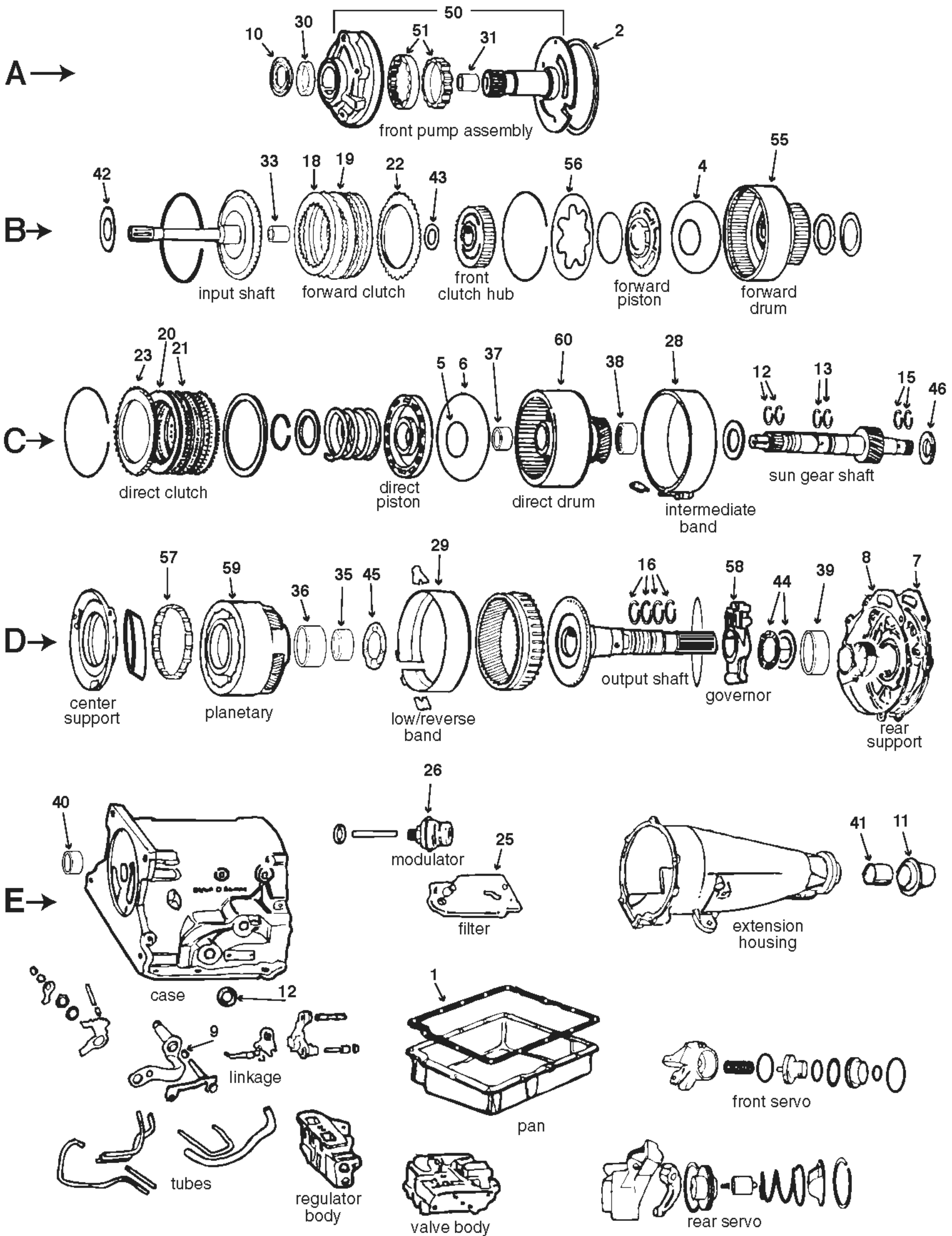


# BW35•T35•BW35TB•BW37TB•BW65•BW66

BW35•T35•BW35TB•37TB•BW65•66

| ILL                                 | DESCRIPTION                              | QTY  | YEAR | REFERENCE # | PART #    |         |
|-------------------------------------|--|--|------|-------------|-----------|---------|
| <b>METAL CLAD SEALS (CONTINUED)</b> |  |  |      |             |           |         |
| n/i                                 | Seal, metal clad                         | BW65/66/T65/66 (manual lever shaft)        | 1    | 62-88       | 3154112   | 19675   |
| <b>SEALING RINGS</b>                |  |  |      |             |           |         |
| K10                                 | Kit, sealing ring                        | BW35/65/66/T35/65/66                       | 1    | 62-88       | AE        | K19903B |
| C13                                 | Ring, sealing                            | rear clutch drum                           | 3    | 62-69       | 3164858   | 19215   |
| D14                                 | Ring, sealing                            | forward clutch (front sun gear) (small)    | 2    | 69-88       | 3165007   | 19216   |
| D14                                 | Ring, sealing                            | forward clutch (front sun gear) (large)    | 2    | 69-88       | 3186586   | 6235    |
| D15                                 | Ring, sealing                            | rear sun gear                              | 1    | 62-65       | 3165008   | 19217   |
| D15                                 | Ring, sealing (teflon)                   | rear sun gear                              | 1    | 66-88       | 3176130   | 19217A  |
| E16                                 | Ring, sealing                            | output shaft                               | 3    | 62-88       | 3165806   | 19504   |
| <b>CLUTCH PLATES</b>                |  |  |      |             |           |         |
| B17                                 | Friction .061" 4.248" od 36T             | forward clutch (front)                     | 4/5  | 62-88       | 3198571   | 19206A  |
| C17                                 | Friction .061" 4.248" od 36T             | direct clutch (rear)                       | 4/5  | 62-88       | 3198571   | 19206A  |
| B18                                 | Steel .068" 3.134" id 40T                | forward clutch (front)                     | 3/4  | 62-88       | 3164873   | 19205   |
| B18                                 | Steel .090" 3.134" id 40T (oversized)    | forward clutch (front)                     | ar   | 62-88       | 31648730S | 19222X  |
| B18                                 | Steel .053" 3.134" id 40T (undersized)   | forward clutch (front)                     | ar   | 62-88       | 3164873US | 19205X  |
| C20                                 | Steel, dished .068" 3.125" id 40T        | direct clutch (rear)                       | 4/5  | 62-88       | 3164863   | 19222   |
| C20                                 | Steel .090" 3.134" id 40T (oversized)    | direct clutch (rear)                       | ar   | 62-88       | 31648730S | 19222X  |
| C20                                 | Steel .053" 3.134" id 40T (undersized)   | direct clutch (rear)                       | ar   | 62-88       | 3164873US | 19205X  |
| <b>FILTERS</b>                      |  |  |      |             |           |         |
| K9                                  | Kit, filter (w/o shroud)                 | BW35/T35/type 2 USA (neoprene/cork)        | 1    | 62-66       | AE        | FK19755 |
| K9                                  | Kit, filter (w/o shroud)                 | BW35/T35/type 2 USA (Duraprene®)           | 1    | 62-66       | AE        | DK19755 |
| K9                                  | Kit, filter (w/shroud)(pistol grip type) | BW35/T35 USA (neoprene/cork)               | 1    | 67-71       | AE        | FK19757 |
| K9                                  | Kit, filter (w/shroud)(pistol grip type) | BW35/T35 USA (Duraprene®)                  | 1    | 67-71       | AE        | DK19757 |
| K9                                  | Kit, filter (pistol grip type)           | BW65/66/T65/66 (neoprene/cork)             | 1    | 71-88       | AE        | FK47800 |
| K9                                  | Kit, filter (pistol grip type)           | BW65/66/T65/66 (Duraprene®)                | 1    | 71-88       | AE        | DK47800 |
| F21                                 | Filter screen (w/o shroud)               | BW35/T35/type 1/2 (front)                  | 1    | 62-66       | 3179973   | 19755   |
| F21                                 | Filter screen (w/shroud)                 | BW35/T35 (pistol grip type)(front)         | 1    | 67-71       | 3188896   | 19757   |
| n/i                                 | Filter screen (w/o shroud)               | BW35/T35 (rear)                            | 1    | 62-66       | 3164950   | 19756   |
| n/i                                 | Filter screen (w/shroud)                 | BW35/T35 (rear)                            | 1    | 62-66       | n/a       | 19756A  |
| <b>MODULATORS</b>                   |  |  |      |             |           |         |
| n/i                                 | Mod type 2 adj screw in (brown)          | AMC BW35/T35                               | 1    | 61-71       | 4485870   | 19510A  |
| <b>BANDS</b>                        |  |  |      |             |           |         |
| C24                                 | Band, flex type (1 17/32" wide)          | front                                      | 1    | 62-88       | 3193718   | 19313F  |
| C24                                 | Band, solid (1 3/16" wide)               | front                                      | 1    | 73-86       | 3188603   | 19313C  |
| D25                                 | Band, solid                              | will fit both front/rear                   | 1    | 62-88       | 3187096   | 19313D  |
| <b>BUSHINGS</b>                     |  |  |      |             |           |         |
| K13                                 | Kit, bushing                             | BW35/T35/type 1 non USA and type 2 USA     | 1    | 62-88       | AE        | K19902  |
| A26                                 | Bushing                                  | BW35/T35/type 1/2 front pump body          | 1    | 62-88       | 3205306   | 19003   |
| A27                                 | Bushing                                  | stator support (22 and 23 splines)(front)  | 1    | 62-88       | 3205309   | 19011   |
| A27                                 | Bushing                                  | stator support (26 splines)(front)         | 1    | 69-88       | 19011A    | 19011A  |
| A28                                 | Bushing                                  | BW35/T35/type 1/2 (stator support)(rear)   | 1    | 62-88       | 3205307   | 19009   |
| A29                                 | Bushing                                  | BW35/T35/type 1/2 (front pump drive gear)  | 1    | 62-88       | 3205308   | 19006   |
| B30                                 | Bushing                                  | BW35/T35/type 1/2 (input shaft)            | 1    | 62-88       | 3205301   | 19005   |
| C31                                 | Bushing                                  | BW35/T35/type 1/2 (sun gear to rr cl drum) | 1    | 62-88       | 3205303   | 19010   |
| C32                                 | Bushing                                  | BW35/T35/type 1/2 (planetary support)      | 1    | 62-88       | 3205304   | 19008   |
| E34                                 | Bushing                                  | BW35/T35/type 1/2 (output shaft)           | 1    | 62-88       | 3205305   | 19012   |
| E35                                 | Bushing                                  | BW35/T35/type 1/2 (case)                   | 1    | 62-88       | 3203639   | 19001   |
| E36                                 | Bushing 1.795" od .875" wide             | extension housing (w/closed drive line)    | 1    | 62-65       | 3202124   | 19002A  |
| E36                                 | Bushing (babbitt)                        | BW35/T35/type 2 (hsg w/open dr line)       | 1    | 62-88       | 3203640   | 6014    |
| E36                                 | Bushing 1 5/16" od                       | Volvo/Datsun (extension housing)           | 1    | 63-75       | 235878-6  | 19002X  |
|                                     |  |  |      |             |           |         |
|                                     |  |  |      |             |           |         |
|                                     |  |  |      |             |           |         |





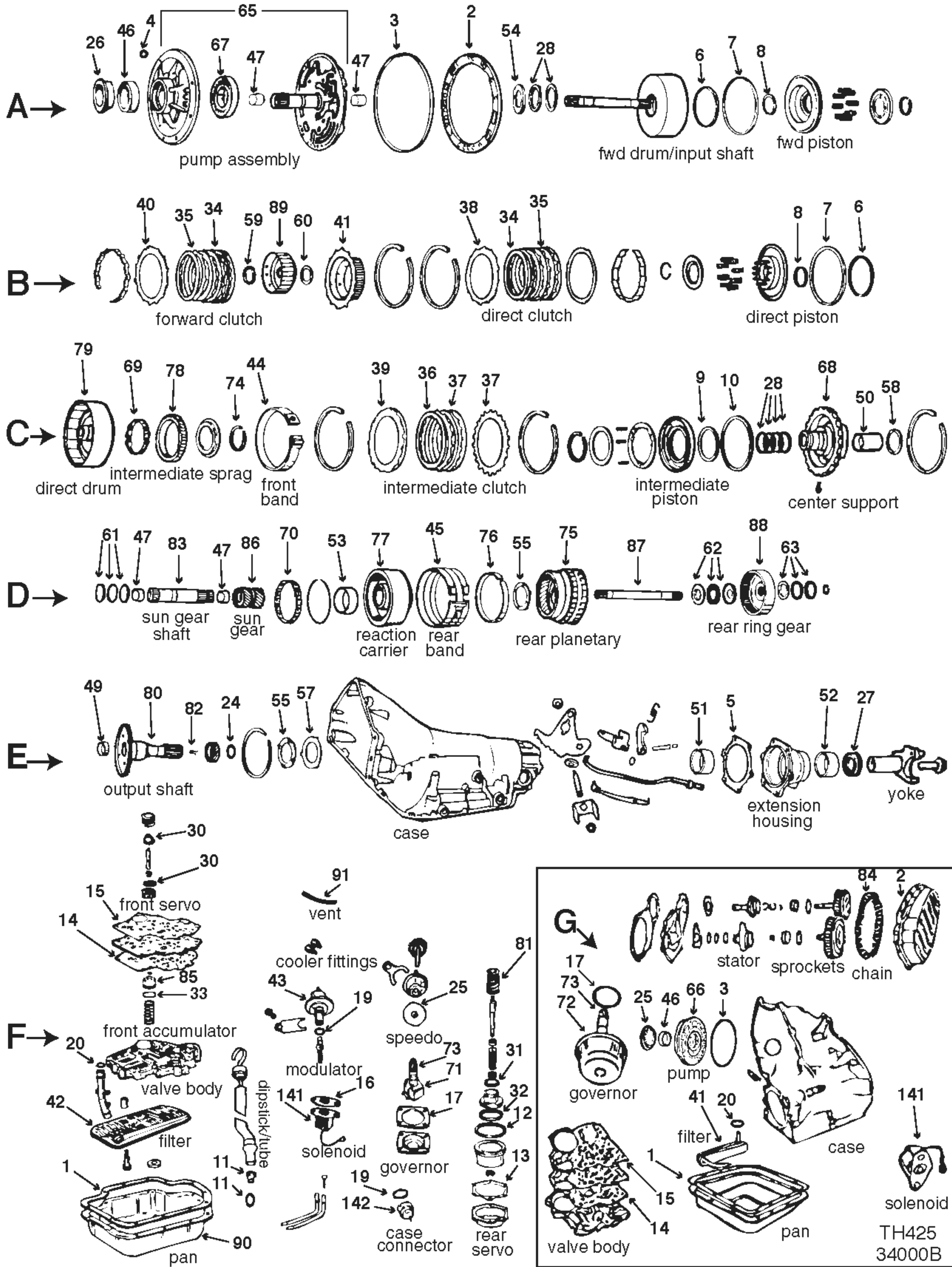
FMX/CW/BW8/BW12/R12  
600M/N/V/W

| ILL                                  | DESCRIPTION                          | QTY | YEAR  | REFERENCE #   | PART #   |
|--------------------------------------|--------------------------------------|-----|-------|---------------|----------|
| <b>REBUILDER KITS</b>                |                                      |     |       |               |          |
| K4                                   | Master deluxe rebuild kit            | 1   | 68-81 | AE            | K600M-R  |
| K5                                   | Master kit w/steels                  | 1   | 55-67 | AE            | K600W    |
| K5                                   | Master kit w/steels                  | 1   | 51-67 | AE            | K600V    |
| K5                                   | Master kit w/steels                  | 1   | 67-72 | AE            | K600R    |
| K5                                   | Master kit w/steels                  | 1   | 67-74 | AE            | K600N    |
| K5                                   | Master kit w/steels                  | 1   | 68-81 | AE            | K600M    |
| K6                                   | Master kit w/o steels                | 1   | 55-67 | AE            | K600W-LS |
| K6                                   | Master kit w/o steels                | 1   | 51-67 | AE            | K600V-LS |
| K6                                   | Master kit w/o steels                | 1   | 67-72 | AE            | K600R-LS |
| K6                                   | Master kit w/o steels                | 1   | 67-74 | AE            | K600N-LS |
| K6                                   | Master kit w/o steels                | 1   | 68-81 | AE            | K600M-LS |
| K7                                   | O/H gasket set w/seals-rings         | 1   | 55-67 | AE            | K6900W   |
| K7                                   | O/H gasket set w/seals-rings         | 1   | 51-67 | AE            | K6900V   |
| K7                                   | O/H gasket set w/seals-rings         | 1   | 67-74 | AE            | K6900N   |
| K7                                   | O/H gasket set w/seals-rings         | 1   | 68-81 | AE            | K6900M   |
| K8                                   | Kit, external seal                   | 1   | 68-81 | AE            | K6900M-2 |
| K11                                  | Gasket and seal kit                  | 1   | 51-67 | AE            | K6900V-1 |
| K11                                  | Gasket and seal kit                  | 1   | 55-67 | AE            | K6900U-1 |
| K11                                  | Gasket and seal kit                  | 1   | 67-74 | AE            | K6900N-1 |
| K11                                  | Gasket and seal kit                  | 1   | 68-81 | AE            | K6900M-1 |
| <b>VALVE BODY KITS</b>               |                                      |     |       |               |          |
| K15                                  | Shift Kit®                           | 1   | 67-72 | SK® 3-67      | K6253C   |
| K15                                  | Shift Kit®                           | 1   | 73-81 | SK® 3-73      | K6253D   |
| K15                                  | Reprogramming Kit™                   | 1   | 68-72 | 37-2          | 37-1     |
| K15                                  | Reprogramming Kit™                   | 1   | 73-81 | 33-2          | 33-1     |
| <b>GASKETS AND RUBBER COMPONENTS</b> |                                      |     |       |               |          |
| E1                                   | Gasket, oil pan                      | 1   | 51-81 | B5AZ-7A191-B  | 3565LX   |
| E1                                   | Gasket, oil pan                      | 1   | 51-81 | B5AZ-7A191-B  | 3565D    |
| E1                                   | Gasket, oil pan                      | 1   | 55-72 | B5SZ-7A191-B  | 3610LX   |
| E1                                   | Gasket, oil pan                      | 1   | 55-72 | B5SZ-7A191-B  | 3610D    |
| E1                                   | Gasket, oil pan                      | 1   | 61-65 | C1VP-7A191-B  | 3741LX   |
| A2                                   | Seal, lathe cut                      | 1   | 51-81 | B1AZ-7A136-A  | 3666     |
| B4                                   | Seal, lathe cut                      | 1   | 68-81 | D1AZ-7A548-A  | 13312    |
| C5                                   | Lip seal                             | 1   | 68-81 | C8AZ-7E212-A  | 13286    |
| C6                                   | Lip seal                             | 1   | 68-81 | C8AZ-7C051-A  | 13285    |
| D7                                   | Gasket                               | 1   | 56-66 | 3150992       | 13297    |
| D7                                   | Gasket                               | 1   | 67-71 | 3186571       | 13298    |
| D7                                   | Gasket                               | 1   | 68-81 | D2AZ-7086-A   | 13283A   |
| D8                                   | Gasket                               | 1   | 68-81 | C8AZ-7A222-A  | 13284    |
| E9                                   | O'ring                               | 1   | 68-81 | 386078-S      | 3499L    |
| n/i                                  | O'ring                               | 1   | 68-81 | 87036-S94     | 3410L    |
| <b>METAL CLAD SEALS</b>              |                                      |     |       |               |          |
| A10                                  | Seal, metal clad (w/o flange)        | 1   | 68-81 | C2AZ-7A248-A  | 16601B   |
| A10                                  | Seal, metal clad                     | 1   | 51-74 | 3151007       | 6550C    |
| E11                                  | Seal, metal clad 60x38x10mm (w/boot) | 1   | 51-67 | D5AZ-7052-B   | 16695E   |
| E11                                  | Seal, metal clad 60x38x12mm          | 1   | 51-68 | D5AZ-7052-BNF | 8850B    |
| E11                                  | Seal, metal clad (w/flange w/o boot) | 1   | 55-68 | D5AZ-7052-ANB | 4743C    |
| E11                                  | Seal, metal clad (w/boot)            | 1   | 56-81 | D5AZ-7052-A   | 16695C   |
| E11                                  | Seal, metal clad                     | 1   | 61-65 | C6VY-7052-A   | 6557G    |
| E11                                  | Seal, metal clad                     | 1   | 65-67 | B3TZ-7A011-A  | 6557M    |
| E12                                  | Seal, metal clad                     | 1   | 51-81 | C7AZ-7B498-A  | 6507A    |



| ILL                    | DESCRIPTION   | QTY | YEAR  | REFERENCE #  | PART #   |
|------------------------|---|-----|-------|--------------|----------|
| <b>SEALING RINGS</b>   |   |     |       |              |          |
| K10                    | Kit, sealing ring (metal) FMX   | 1   | 68-81 | AE           | K6909C   |
| K10                    | Kit, sealing ring (metal) small case                                    | 1   | 51-71 | AE           | K6909    |
| K10                    | Kit, sealing ring (metal) MX/medium case                                | 1   | 55-68 | AE           | K6909A   |
| K10                    | Kit, sealing ring (metal) large case                                    | 1   | 58-65 | AE           | K6909B   |
| K10                    | Kit, sealing ring (metal) R12/CW  | 1   | 67-71 | AE           | K6909C   |
| C12                    | Ring, sealing FMX/small (forward clutch to sun gear/frt)                | 2   | 51-81 | IP-77542-A   | 6230     |
| C12                    | Ring, sealing medium (forward clutch to sun gear/front)                 | 2   | 55-71 | B5SZ-77542-A | 6230A    |
| C13                    | Ring, sealing FMX/small (direct clutch to sun gear/mid)                 | 2   | 51-81 | C0AZ-7C169-A | 6231     |
| C13                    | Ring, sealing medium (direct clutch to sun gear/middle)                 | 2   | 55-71 | B5SZ-7C169-A | 7516     |
| C15                    | Ring, sealing FMX/BW 8-12/SX/CW/R12 (rear/sun gear)                     | 2   | 51-81 | IP-77543-B   | 6235     |
| D16                    | Ring, sealing (metal) FMX (output shaft)                                | 4   | 68-81 | C6AZ-7D019-B | 36401    |
| D16                    | Ring, sealing (metal) small/medium (output shaft)                       | 4   | 51-67 | IP-77883-A   | 6245     |
| <b>CLUTCH PLATES</b>   |   |     |       |              |          |
| B18                    | Friction .060" 5.250" od 45T (grooved) forward clutch (front housing)   | 4/5 | 51-81 | C9AZ-7B164-A | 6204G    |
| B18                    | Friction .062" 5.250" od 45T forward clutch (front housing)             | 4/5 | 56-71 | B5AZ-7B164-B | 6204M    |
| B18                    | Friction .078" 5.250" od 45T (waffle) forward clutch (front housing)    | ar  | 67-81 | C9AZ-7B164-D | 6204P    |
| B19                    | Steel .068" 3.903" id 54T (flat) forward clutch (front housing)         | 3/4 | 51-81 | C8AZ-7B442-A | 6205     |
| B19                    | Steel .090" 3.903" id 54T (oversized) front/rear clutch                 | ar  | 68-81 | C2AZ-7B442-A | 6222B    |
| C20                    | Friction .062" 5.250" od 45T direct clutch (rear drum)                  | 4/5 | 56-71 | B5AZ-7B164-B | 6204M    |
| C20                    | Friction .095" 5.250" od 45T direct clutch (rear drum)                  | 5   | 56-66 | C2AZ-7B164-A | 6221G    |
| C20                    | Friction .079" 5.250" od 45T direct clutch (rear drum)                  | ar  | 68-81 | C8AZ-7B164-G | 6221B    |
| C21                    | Steel .065" 3.903" id 50T (dished) direct clutch (rear drum)            | 5   | 51-67 | B1AZ-7B442-A | 6222     |
| C21                    | Steel .068" 3.903" id 54T (flat) direct clutch (rear drum)              | 4/5 | 68-81 | C8AZ-7B442-A | 6205     |
| <b>PRESSURE PLATES</b> |   |     |       |              |          |
| B22                    | Pressure plate .254" (beveled) FMX/MX front/forward clutch              | 1   | 68-81 | C1AP-7B066-A | 6307-R   |
| C23                    | Pressure plate .313" rear/direct clutch                                 | 1   | 68-81 | B8SZ-7B437-A | 6309-R   |
| <b>FILTERS</b>         |   |     |       |              |          |
| K9                     | Kit, filter (felt) FMX (neoprene/cork)                                  | 1   | 68-81 | AE           | FK6582F  |
| K9                     | Kit, filter (felt) FMX (Duraprene®)                                     | 1   | 68-81 | AE           | DK6582F  |
| K9                     | Kit, filter (brass) FMX (neoprene/cork)                                 | 1   | 68-81 | AE           | FK6582D  |
| K9                     | Kit, filter (brass) FMX (neoprene/cork)                                 | 1   | 68-81 | AE           | DK6582D  |
| K9                     | Kit, filter (brass) MX/medium case (neoprene/cork)                      | 1   | 55-67 | AE           | FK6582G  |
| K9                     | Kit, filter (brass) MX/medium case (Duraprene®)                         | 1   | 55-67 | AE           | DK6582G  |
| K9                     | Kit, filter (brass) SX/small case (neoprene/cork)                       | 1   | 51-67 | AE           | FK6582C  |
| K9                     | Kit, filter (brass) SX/small case (Duraprene®)                          | 1   | 51-67 | AE           | DK6582C  |
| K9                     | Kit, filter (small flat brass) R12/CW (neoprene/cork)                   | 1   | 67-71 | AE           | FK6582H  |
| K9                     | Kit, filter (small flat brass) R12/CW (Duraprene®)                      | 1   | 67-71 | AE           | DK6582H  |
| E25                    | Filter, screen (felt) FMX (1 suction hole)                              | 1   | 68-81 | D8AZ-7A098-A | 6582F    |
| E25                    | Filter, screen (brass) FMX (1 suction hole)                             | 1   | 68-81 | D0AZ-7A098-A | 6582D    |
| E25                    | Filter, screen (brass) MX/medium case (2 suction holes)                 | 1   | 55-67 | B9MP-7A098-B | 6582G    |
| E25                    | Filter, screen (brass) SX/small case (2 suction holes)                  | 1   | 51-67 | B9AP-7A098-B | 6582C    |
| E25                    | Filter, screen (flat brass) AMX/BW8/BW12/CW                             | 1   | 67-71 | 3186706      | 6582H    |
| n/i                    | Screen, filter FMX (governor)   | 1   | 68-81 | D1AZ-7E242-A | 53712    |
| <b>MODULATORS</b>      |   |     |       |              |          |
| E26                    | Modulator, vacuum-screw in-SAD adjustable (blue)                        | 1   | 68-81 | C1AZ-7A377-B | 16525D   |
| E26                    | Modulator, vacuum-screw in-DAD adjustable (orange)                      | 1   | 73-81 | D322-7A377-A | 16525F   |
| E26                    | Modulator, vacuum-screw in-SAD adjustable (light green)                 | 1   | 75-81 | D5AZ-7A377-C | 16525G   |
| <b>BANDS</b>           |   |     |       |              |          |
| C28                    | Band, flex type FMX (front/center lug)                                  | 1   | 73-82 | D7AZ-7A162-A | 6313X    |
| C28                    | Band, rigid (thin paper lining) front (center lug)                      | 1   | 68-73 | D2AZ-7A162-A | 6313R-RL |
| C28                    | Band, rigid 1 15/16" (thin paper lining) front (offset lug)(small case) | 1   | 67-71 | C7AZ-7A162-A | 6313N-RL |
| C28                    | Band, rigid (thick lining) front (center lug)(medium case)              | 1   | 55-66 | C2AZ-7A162-A | 6313C-RL |
| C28                    | Band, rigid 1 15/16" (thick lining) front (offset lug)(small case)      | 1   | 55-66 | C2AZ-7A162-B | 6313E-RL |

| ILL                                 | DESCRIPTION                           |  | QTY | YEAR  | REFERENCE #  | PART #   |
|-------------------------------------|---------------------------------------|--|-----|-------|--------------|----------|
| <b>BANDS (CONTINUED)</b>            |                                       |  |     |       |              |          |
| C28                                 | Band, rigid 1 5/8" wide               | front (offset lug)(small case)           | 1   | 51-55 | B6AZ-7A162-A | 6313D-RL |
| D29                                 | Band, rigid                           | rear (all)                               | 1   | 55-81 | B5SZ-7A163-B | 6362A-RL |
| <b>BUSHINGS</b>                     |                                       |  |     |       |              |          |
| K13                                 | Kit, bushing                          | FMX                                      | 1   | 68-81 | AE           | K6901    |
| A30                                 | Bushing (babbit)                      | FMX (front pump)                         | 1   | 68-81 | C6AZ-7B258-A | 36002A   |
| A30                                 | Bushing (bronze)                      | FMX (front pump)                         | 1   | 68-81 | C6AZ-7B258-A | 36002    |
| A30                                 | Bushing                               | small/medium/large case (front pump)     | 1   | 51-71 | C1AZ-7B258-A | 6010     |
| A31                                 | Bushing (not in kit)                  | FMX (stator support/pump cover)          | 1   | 68-81 | C8AZ-7B261-A | 6017D    |
| B33                                 | Bushing                               | FMX/small case (input shaft)             | 1   | 68-81 | B1AZ-7120-A  | 6008     |
| D35                                 | Bushing 1" id x 7/8"                  | FMX/small case (planetary inner)         | 1   | 68-81 | B1AZ-7B257-B | 6004     |
| D36                                 | Bushing 1 1/2" x 3/4" (not in kit)    | FMX/small case (planetary outer)         | 1   | 68-81 | B5AZ-7B256-A | 6019     |
| C38                                 | Bushing                               | FMX/small case (direct clutch/rear drum) | 1   | 68-81 | B1AZ-7B262-2 | 6003     |
| D39                                 | Bushing (babbit w/oil groove wide)    | FMX/small case (rear pump body)          | 1   | 68-81 | B5AZ-7B260-A | 6015     |
| E40                                 | Bushing                               | FMX/small case (case)                    | 1   | 68-81 | B5A-7025-A   | 6007     |
| E41                                 | Bushing (babbit)                      | small case (extension housing)           | 1   | 51-67 | B3TZ-7A034-A | 6014     |
| E41                                 | Bushing (not in kit)                  | large case (extension housing)           | 1   | 61-65 | C1VY-7A034-A | 6023B    |
| E41                                 | Bushing                               | BW12 (extension housing)                 | 1   | 67-81 | 3207936      | 12501A   |
| E41                                 | Bushing, extension housing            | FMX/medium case (extension housing)      | 1   | 68-81 | B5AZ-7A034-A | 6023     |
| <b>WASHERS/BEARINGS/RACES/SHIMS</b> |                                       |  |     |       |              |          |
| C37                                 | Bearing, caged (not in kit)           | direct clutch/rear drum (FMX/small case) | 1   | 68-81 | C8AZ-7D480-A | 6002     |
| B42                                 | Thrust washer 1 3/8" id x 2 25/32" od | input shaft                              | 1   | 68-81 | D3AZ-7019-A  | 6201B    |
| B43                                 | Thrust washer (fiber)                 | front clutch hub                         | 1   | 68-81 | B5S-775-77-B | 6203A    |
| D44                                 | Race                                  | output shaft (rear)                      | 1   | 68-81 | n/a          | 6238     |
| D44                                 | Bearing, thrust (1-3 piece)           | output shaft                             | 1   | 78-81 | D8AZ-7B368-A | 6239X    |
| D45                                 | Thrust washer .062"                   | output shaft                             | sel | 68-81 | C5AZ-7A385-E | 6237H    |
| D45                                 | Thrust washer .068"                   | output shaft                             | sel | 68-81 | C5AZ-7A385-F | 6237I    |
| D45                                 | Thrust washer .075"                   | output shaft                             | sel | 68-81 | C5AZ-7A385-G | 6237J    |
| D45                                 | Thrust washer .082"                   | output shaft                             | sel | 68-81 | C5AZ-7A385-H | 6237K    |
| C46                                 | Bearing, thrust (1-3 piece)           | sun gear                                 | 1   | 68-81 | D3AZ-7C096-A | 6259X    |
| <b>PUMP PARTS AND PUMPS</b>         |                                       |  |     |       |              |          |
| A50                                 | Pump, front assembly 17 spline shaft  | small/medium case                        | 1   | 51-59 | AE           | 6551A-R  |
| A50                                 | Pump, front assembly 29 spline shaft  | small/medium case                        | 1   | 59-67 | AE           | 6551D-R  |
| A50                                 | Pump, front assembly                  | FMX                                      | 1   | 68-81 | AE           | 6551L-R  |
| A51                                 | Gear set                              | FMX                                      | 1   | 68-81 | AE           | K36201   |
| <b>HARD PARTS</b>                   |                                       |  |     |       |              |          |
| B55                                 | Drum, front/forward                   | FMX                                      | 1   | 61-73 | D2AZ-7A360-C | 6211R-R  |
| B56                                 | Spring, diaphragm .073"               | FMX (front/forward clutch)               | 1   | 68-81 | C1AP-7B070-A | 6208C    |
| D58                                 | Governor assembly                     | FMX                                      | 1   | 68-81 | D3AZ-7C053-A | 6242C-R  |
| D59                                 | Planetary assembly                    | FMX                                      | 1   | 68-81 | C3AZ-7A398-C | 6236L-R  |
| D59                                 | Planetary assembly                    | AMX-BW8-BW12                             | 1   | 67-72 | AE           | 6236C-R  |
| C60                                 | Drum, rear/direct                     | FMX                                      | 1   | 68-79 | C9AZ-7A626-A | 6229L-R  |
| n/i                                 | Spring (silver)                       | FMX (helps with hanging governor valve)  | 1   | 68-81 | D2AZ-7C063-A | 6242CS   |
| <b>SPRAGS</b>                       |                                       |  |     |       |              |          |
| D57                                 | Sprag (roller type)                   |  | 1   | 68-81 | C3AZ-7A089-A | 34402A   |
| <b>NOTES</b>                        |                                       |  |     |       |              |          |
|                                     |                                       |  |     |       |              |          |
|                                     |                                       |  |     |       |              |          |
|                                     |                                       |  |     |       |              |          |
|                                     |                                       |  |     |       |              |          |
|                                     |                                       |  |     |       |              |          |
|                                     |                                       |  |     |       |              |          |
|                                     |                                       |  |     |       |              |          |
|                                     |                                       |  |     |       |              |          |
|                                     |                                       |  |     |       |              |          |



TH400/3L80/375/475  
34000D

| ILL                                  | DESCRIPTION   | QTY | YEAR  | REFERENCE # | PART #     |
|--------------------------------------|---|-----|-------|-------------|------------|
| <b>TECHNICAL MANUALS</b>             |   |     |       |             |            |
| K53                                  | Tech manual TH400 3L80 dis/assembly diagnosis/troubleshooting                 | 1   | 64-93 | 83-400TM    | 010-307    |
| <b>REBUILDER KITS</b>                |   |     |       |             |            |
| K4                                   | Master deluxe rebuild kit TH400   | 1   | 65-93 | AE          | K3400D-R   |
| K4                                   | Master deluxe rebuild kit TH425   | 1   | 66-78 | AE          | K3400B-R   |
| K4                                   | Master deluxe rebuild kit TH400 (high performance)                            | 1   | 64-93 | AE          | H3400D-R   |
| K4                                   | Master deluxe rebuild kit TH400 (w/waffle clutches)                           | 1   | 65-93 | AE          | K3400W-R   |
| K5                                   | Master kit w/steels TH400   | 1   | 65-93 | AE          | K3400D     |
| K5                                   | Master kit w/steels w/short ring kit TH400                                    | 1   | 65-93 | AE          | K3400DS    |
| K5                                   | Master kit w/steels TH425   | 1   | 66-78 | AE          | K3400B     |
| K5                                   | Master kit w/steels TH400 (w/waffle clutches)                                 | 1   | 65-93 | AE          | K3400W     |
| K6                                   | Master kit w/o steels TH400   | 1   | 65-93 | AE          | K3400D-LS  |
| K6                                   | Master kit w/o steels w/short ring kit TH400                                  | 1   | 65-93 | AE          | K3400DS-LS |
| K6                                   | Master kit w/o steels TH425   | 1   | 66-78 | AE          | K3400B-LS  |
| K6                                   | Master kit w/o steels TH400 (w/waffle clutches)                               | 1   | 65-93 | AE          | K3400W-LS  |
| K7                                   | O/H gasket set w/seals-rings TH400  | 1   | 65-93 | AE          | K34900D    |
| K7                                   | O/H gasket set w/seals-rings TH400 (w/short ring kit)                         | 1   | 65-93 | AE          | K34900DS   |
| K7                                   | O/H gasket set w/seals-rings TH425  | 1   | 66-78 | AE          | K34900B    |
| K8                                   | External seal kit TH400   | 1   | 65-93 | AE          | K34900-2   |
| K11                                  | Gasket and seal kit TH400   | 1   | 65-93 | AE          | K34900D-1  |
| K11                                  | Gasket and seal kit TH425   | 1   | 66-78 | AE          | K34900B-1  |
| <b>VALVE BODY KITS</b>               |   |     |       |             |            |
| K15                                  | Shift Kit®, corrects soft shifts 3rd clutch burn up                           | 1   | 65-93 | SK® 400     | K34908     |
| K15                                  | Shift Kit®, corrects soft shifts TH425 all/TH400 64 only (3rd cl burn up)     | 1   | 66-78 | SK® 425     | K34908A    |
| K15                                  | Reverse cushion kit corrects harsh reverse                                    | 1   | 65-93 | 400RK™      | K34908B    |
| K15                                  | Reprogramming Kit™ Stick Shift converts to manual                             | 1   | 65-93 | 400-3       | 400-3      |
| K15                                  | Reprogramming Kit™ Tow or Go® competition combo                               | 1   | 65-93 | 400-1 and 2 | 400-2      |
| K15                                  | Reprogramming Kit™ ProRace heavy duty TH400                                   | 1   | 65-93 | 400-PRO     | 400-PRO    |
| K15                                  | Shift point package TH400 (governor calibration)                              | 1   | 64-93 | K018        | 34964      |
| K15                                  | Shift correction pkg soft late shifts/2-3 harsh rev/HD SR prevent case damage | 1   | 65-93 | K400        | S34908     |
| K15                                  | Kit, valve body soft shifts 3rd clutch burn up (5 kits in 1)                  | 1   | 65-93 | TL-400-5    | TL-400-5   |
| K15                                  | Shift Improver Kit HD/street and strip performance                            | 1   | 65-87 | 20260       | 114-20260  |
| K15                                  | Shift Improver Kit HD/street and strip performance                            | 1   | 88-93 | 20261       | 114-20261  |
| K15                                  | Transpak™ heavy duty-ProRace TH400 (full manual control)                      | 1   | 65-87 | 20228       | 114-20228  |
| K15                                  | Manual pak TH400 (full manual control)  | 1   | 68-87 | 20219       | 114-20219  |
| <b>GASKETS AND RUBBER COMPONENTS</b> |   |     |       |             |            |
| F1                                   | Gasket, oil pan TH400 (neoprene/cork)   | 1   | 64-93 | 8655625     | 3893LX     |
| F1                                   | Gasket, oil pan TH400 (Duraprene®)  | 1   | 64-93 | 8655625     | 3893D      |
| G1                                   | Gasket, oil pan TH425 (neoprene/cork)   | 1   | 68-78 | 8626932     | 13270X     |
| G1                                   | Gasket, oil pan TH425 (Duraprene®)  | 1   | 68-78 | 8626932     | 13270D     |
| A2                                   | Gasket TH400 (pump stator to case)  | 1   | 64-93 | 8623978     | 3994L      |
| G2                                   | Gasket TH425 (sprocket cover)(neoprene/cork)                                  | 1   | 68-78 | 8625031     | 13269X     |
| A3                                   | Seal, lathe cut TH400 (pump body to case)                                     | 1   | 64-93 | 6261413     | 3877L      |
| G3                                   | Seal, lathe cut TH425 (pump body to case)                                     | 1   | 68-78 | 8625007     | 13273      |
| A4                                   | Washer, coated TH400 (pump bolts)   | 6/8 | 64-87 | 8626281     | 13268A     |
| A4                                   | O'ring TH400 (pump bolts)   | 8   | 88-93 | 8654341     | 13268B     |
| E5                                   | Gasket TH400 (extension housing)  | 1   | 65-93 | 8624709     | 13271      |
| E5                                   | Gasket TH425 (final drive)  | 1   | 68-78 | 389948      | 13303      |
| A6                                   | Seal, beveled TH400 (forward clutch center)                                   | 1   | 77-81 | 8627690     | 13322      |
| AB6                                  | Lip seal TH400 (direct clutch center)   | 2   | 65-93 | 8623121     | 3284L      |
| AB7                                  | Lip seal TH400 (forward and direct clutch outer)                              | 2   | 64-93 | 8623101     | 3643L      |
| AB8                                  | Lip seal TH400 (forward and direct clutch inner)                              | 2   | 64-93 | 8623102     | 3956L      |
| C9                                   | Lip seal TH400 (intermediate clutch inner)                                    | 1   | 64-93 | 8627627     | 3963L      |
| C10                                  | Lip seal TH400 (intermediate clutch outer)                                    | 1   | 64-93 | 8623143     | 3962L      |



# TH400•400•3L80•TH375•TH425

TH400•3L80•375•425

| ILL  | DESCRIPTION   | QTY | YEAR  | REFERENCE #  | PART #    |
|--|---|-----|-------|--------------|-----------|
| <b>GASKETS AND RUBBER COMPONENTS (CONTINUED)</b> |   |     |       |              |           |
| F11  | O'ring TH400 (filler tube to case)                                    | 1   | 64-78 | 6264902      | 3291L     |
| F11  | Multi lip seal (boot) TH400 (filler tube to case)                     | 1   | 79-93 | 1259475      | 13925     |
| F12  | Seal, lathe cut TH400 (reverse servo piston)                          | 1   | 64-93 | 8623430      | 3921L     |
| F13  | Gasket TH400 (rear servo cover)                                       | 1   | 64-93 | 8623174      | 3916L     |
| G14  | Gasket TH425 (spacer to valve body lower)                             | 1   | 68-78 | 8625205      | 13276     |
| F14  | Gasket TH400 (spacer to valve body)                                   | 1   | 65-93 | 8670392      | 3992L     |
| F15  | Gasket TH400 (spacer to case)   | 1   | 65-87 | 8670393      | 3993L     |
| F15  | Gasket TH400 (spacer to case)   | 1   | 87-93 | 8670458      | 3993AL    |
| G15  | Gasket TH425 (spacer to case upper)                                   | 1   | 66-78 | 8625203      | 13275     |
| F16  | Gasket TH400 (solenoid valve metal)                                   | 1   | 64-93 | 8623741      | 3913L     |
| F17  | Gasket TH400 (governor cover)   | 1   | 64-93 | 8670381      | 3914L     |
| G17  | Seal, lathe cut TH425 (governor cover)                                | 1   | 68-78 | 381580-S94   | 13304     |
| F19  | O'ring case connector and modulator to case                           | 2   | 64-93 | 8619568      | 3410L     |
| FG20   | O'ring TH400 (oil filter to intake tube)                              | 1   | 64-93 | 1363951      | 3547L     |
| E24  | O'ring TH400 (output shaft)   | 1   | 64-93 | 8616504      | 3267L     |
| F25  | O'ring TH425 (speedo sleeve)  | 1   | 66-78 | 8622076      | 3718L     |
| F25  | O'ring TH400 (speedo sleeve)  | 1   | 64-93 | 1359319      | 3126L     |
| n/i  | Hose, vacuum (90°) TH400 (modulator hose)                             | 1   | 64-93 | C1AZ-7B087-E | 13566     |
| n/i  | O'ring TH400 (selector shaft-manual shaft)                            | 1   | 64-67 | 8621767      | 3302L     |
| n/i  | Cup, plug TH400 (park pawl)   | 1   | 64-93 | 8620318      | 13970     |
| n/i  | Lip seal w/spring TH400 (speedo)                                      | 1   | 64-93 | 25519078     | 3991L     |
| n/i  | Lip seal w/o spring TH400 (speedo)                                    | 1   | 64-93 | 3869910      | 3991LS    |
| <b>METAL CLAD SEALS</b>                          |   |     |       |              |           |
| A26  | Seal, metal clad TH400 (front)  | 1   | 64-93 | 8670283      | 38151A    |
| E27  | Seal, metal clad (w/flange w/o boot) TH400 (extension housing)        | 1   | 64-77 | 8655031      | 4743C     |
| E27  | Seal, metal clad (w/flange) extension housing 32spl output shaft      | 1   | 65-93 | 8626009      | 34743D    |
| E27  | Seal, metal clad 60x38x12mm TH375 (extension housing)                 | 1   | 72-76 | 3871649      | 8850B     |
| E27  | Seal, metal clad (w/flange) TH475 (extension housing with brake drum) | 1   | 88-93 | 8655032      | 205-21111 |
| n/i  | Seal, metal clad TH400 (manual lever shaft)                           | 1   | 64-93 | 8623056      | 38511     |
| <b>SEALING RINGS</b>                             |   |     |       |              |           |
| K10  | Kit, sealing ring (10 rings, metal) TH400/TH425                       | 1   | 64-93 | AE           | K34901A   |
| K10  | Kit, sealing ring (10 rings, teflon) TH400                            | 1   | 64-93 | AE           | K34901T   |
| K10  | Kit, sealing ring (6 rings, metal) TH400/TH425                        | 1   | 64-93 | AE           | K34406    |
| AC28   | Ring, sealing (metal) TH400 (pump stator and center support)          | 6   | 64-88 | 8626356      | 34406     |
| AC28   | Ring, sealing (teflon) TH400 (pump stator and center support)         | 6   | 64-93 | 8623148      | 34406T    |
| F30  | Ring, sealing (teflon) TH400 (front servo piston)                     | 1   | 64-93 | 8623653      | 34711T    |
| F30  | Ring, sealing front servo (cast iron)                                 | 1   | 64-93 | 8623131      | 34310     |
| F30  | Ring, sealing (cast iron) TH400 (front servo piston)                  | 1   | 64-93 | 8623653      | 34711     |
| F31  | Ring, sealing (teflon) TH400 (accumulator piston inner)               | 1   | 64-93 | 8625773      | 34710AT   |
| F31  | Ring, sealing (cast iron) TH400 (accumulator piston inner)            | 1   | 64-93 | 8625773      | 34710A    |
| F32  | Ring, sealing TH400 (accumulator piston outer)                        | 1   | 65-70 | 8623672      | 34710B    |
| F32  | Ring, sealing (teflon) TH400 (accumulator piston outer)               | 1   | 71-93 | 8627153      | 34712T    |
| F32  | Ring, sealing TH400 (cast replaces teflon)                            | 1   | 71-93 | 8627153      | 34712S    |
| F33  | Ring, sealing (cast iron) TH400 (accumulator piston)                  | 1   | 64-93 | 8623653      | 34711     |
| F33  | Ring, sealing (teflon) TH400 (accumulator piston)                     | 1   | 64-93 | 8623653      | 34711T    |
| n/i  | Ring, sealing TH400 (turbine shaft w/variable pitch)                  | 1   | 66-67 | 8623296      | 34120     |
| <b>CLUTCH PLATES</b>                             |   |     |       |              |           |
| B34  | Friction .080" 5.901" od 42T forward/direct clutch (smooth)           | 10  | 64-90 | 8655619      | 34304     |
| B34  | Friction .080" 5.901" od 42T forward/direct clutch (tan grooved)      | 10  | 64-90 | 8624198      | 34304A    |
| B34  | Friction .080" 5.901" od 42T forward/direct clutch (green waffle)     | 10  | 64-90 | 8625300      | 34304W    |
| B34  | Friction .080" 5.901" od 42T forward/direct clutch (high performance) | 10  | 64-90 | 8623483HP    | 34304H    |
| B34  | Friction .061" 5.901" od 42T forward/direct clutch (Red Eagle)        | ar  | 64-93 | n/a          | 34304X    |
| B35  | Steel .077" 4.585" id 12T forward clutch                              | 4   | 65-90 | 8623849      | 34305A    |

| ILL                              | DESCRIPTION   | QTY | YEAR  | REFERENCE # | PART #   |
|----------------------------------|---|-----|-------|-------------|----------|
| <b>CLUTCH PLATES (CONTINUED)</b> |   |     |       |             |          |
| B35                              | Steel .077" 4.585" id 12T (Kolene®) forward clutch                  | 4   | 65-90 | 8623849     | 34305AK  |
| B35                              | Steel .090" 4.585" id 12T forward clutch                            | 4/8 | 67-93 | 8625197     | 34305C   |
| B35                              | Steel .090" 4.585" id 12T (Kolene®) direct clutch                   | 4/8 | 67-93 | 8628197     | 34305CK  |
| B35                              | Steel .060" .090" 4.585" id 12T forward/direct clutch               | ar  | 64-93 | n/a         | 34305    |
| C36                              | Friction .080" 6.557" od 47T intermediate clutch (tan smooth-wavey) | 3   | 64-90 | 8655620     | 34404    |
| C36                              | Friction .080" 6.557" od 47T intermediate clutch (green waffle)     | 3   | 64-90 | 8623151     | 34404A   |
| C36                              | Friction .080" 6.561" od 47T intermediate clutch (high performance) | 3   | 64-93 | 8623151HP   | 34404H   |
| C37                              | Steel .070" 5.000" id 21T (waved) intermediate clutch (cushion)     | ar  | 66-93 | 8624199     | 34420    |
| C37                              | Steel .100" 5.000" id 21T intermediate clutch                       | 3   | 64-90 | 8655621     | 34405    |
| C37                              | Steel .100" 5.000" id 21T (Kolene®) intermediate clutch             | 3   | 64-93 | 8623150     | 34405K   |
| C37                              | Steel .063" 5.000" id 21T intermediate clutch (undersized)          | ar  | 64-93 | 8623150US   | 34405X   |
| B40                              | Steel, waved .060" forward/irect clutch (cushion)                   | 1/2 | 65-90 | 8623851     | 34305B   |
| B40                              | Steel, dished .055" forward/direct clutch (cushion)                 | 2   | 64-93 | 8625196     | 34305D   |
| <b>PRESSURE PLATES</b>           |   |     |       |             |          |
| B38                              | Pressure plate direct clutch  | 1   | 64-93 | 8661575     | 34421-R  |
| C39                              | Pressure plate .435" intermediate clutch                            | 1   | 64-93 | 8623152     | 34422-R  |
| B41                              | Pressure plate forward clutch (also direct clutch hub)              | 1   | 64-93 | 8661837     | 34416-R  |
| <b>FILTERS</b>                   |   |     |       |             |          |
| K9                               | Kit, filter (1st type w/tube) TH400 (Duraprene®)                    | 1   | 64-67 | 6438346     | DK34661  |
| K9                               | Kit, filter (2nd type dacron flat) TH400 (Duraprene®)               | 1   | 67-93 | AE          | DK34661A |
| K9                               | Kit, filter (2nd type brass flat) TH400 (Duraprene®)                | 1   | 67-93 | AE          | DK34661S |
| K9                               | Kit, filter TH425 (Duraprene®)                                      | 1   | 66-78 | AE          | DK34661B |
| K9                               | Kit, filter (1st type w/tube) TH400 (neoprene/cork)                 | 1   | 64-67 | 6438346     | FK34661  |
| K9                               | Kit, filter (2nd type dacron flat) TH400 (neoprene/cork)            | 1   | 67-93 | AE          | FK34661A |
| K9                               | Kit, filter (2nd type brass flat) TH400 (neoprene/cork)             | 1   | 67-93 | AE          | FK34661S |
| K9                               | Kit, filter TH425 (neoprene/cork)                                   | 1   | 66-78 | AE          | FK34661B |
| F42                              | Filter (1st type w/tube) TH400                                      | 1   | 64-67 | 5579822     | 34661    |
| F42                              | Filter (2nd type dacron flat) TH400                                 | 1   | 67-93 | 8637741     | 34661A   |
| F42                              | Filter (2nd type brass flat) TH400                                  | 1   | 67-93 | AE          | 34661S   |
| G41                              | Filter, w/tube TH425  | 1   | 66-78 | 6438336     | 34661B   |
| n/i                              | Screen, filter TH400 (governor)                                     | 1   | 64-93 | 8627509     | 34713    |
| <b>MODULATORS</b>                |   |     |       |             |          |
| E43                              | Modulator, single red stripe adj 12-19.5 eda 1.7 sq inch dia        | 1   | 64-72 | 3035519     | 38820S   |
| E43                              | Modulator, dual red stripe TH400                                    | 1   | 64-93 | 8683187     | 38820E   |
| E43                              | Modulator, black/red stripe adj 12-19.5 eda 2.4 sq inch dia         | 1   | 73-93 | 3035518     | 35820F   |
| <b>BANDS</b>                     |   |     |       |             |          |
| C44                              | Band 1" wide TH400 (front)  | 1   | 64-93 | 8629531     | 34325    |
| C44                              | Band (heavy duty) TH400 (front)                                     | 1   | 64-93 | 8629531HD   | 34325HD  |
| D45                              | Band (double wrap) TH400 (rear)                                     | 1   | 64-93 | 24200468    | 34510    |
| D45                              | Band (double wrap) TH400 (rear)                                     | 1   | 64-93 | 8623155     | 34510-R  |
| <b>BUSHINGS</b>                  |   |     |       |             |          |
| K13                              | Bushing kit including 34005B extension bushing                      | 1   | 66-76 | AE          | K34903   |
| A46                              | Bushing (babbit) TH400 (pump body)                                  | 1   | 64-93 | 8623940     | 8005     |
| AD47                             | Bushing (not in kit) TH400 (stator)                                 | 2+2 | 64-93 | 8623944     | 34002    |
| E49                              | Bushing (wide) TH400 (output shaft)                                 | 1   | 64-74 | 8623943     | 34004    |
| E49                              | Bushing TH400 (output shaft)  | 1   | 74-93 | 8624988     | 34004A   |
| C50                              | Bushing TH400 (center support)                                      | 1   | 64-93 | 8623942     | 34003    |
| E51                              | Bushing TH400 (case)  | 1   | 64-93 | 8623941     | 34006    |
| E52                              | Bushing 1.795" od .875" wide Cadillac (extension housing)           | 2   | 65-67 | 8618167     | 19002A   |
| E52                              | Bushing 1.995" od 1.5" w (large) TH400 (extension housing)          | 1   | 65-76 | 8623966     | 34005A   |
| E52                              | Bushing 1.995" od 1.0" w (large) TH400 (extension housing)          | 1/2 | 66-93 | 8626901     | 34005B   |
| E52                              | Bushing (babbit) 1.626" od TH375 (extension housing)                | 1   | 72-76 | 6260048     | 8008A    |
| D53                              | Bushing TH400 (planetary/carrier)                                   | 1   | 64-93 | 8623192     | 34008    |

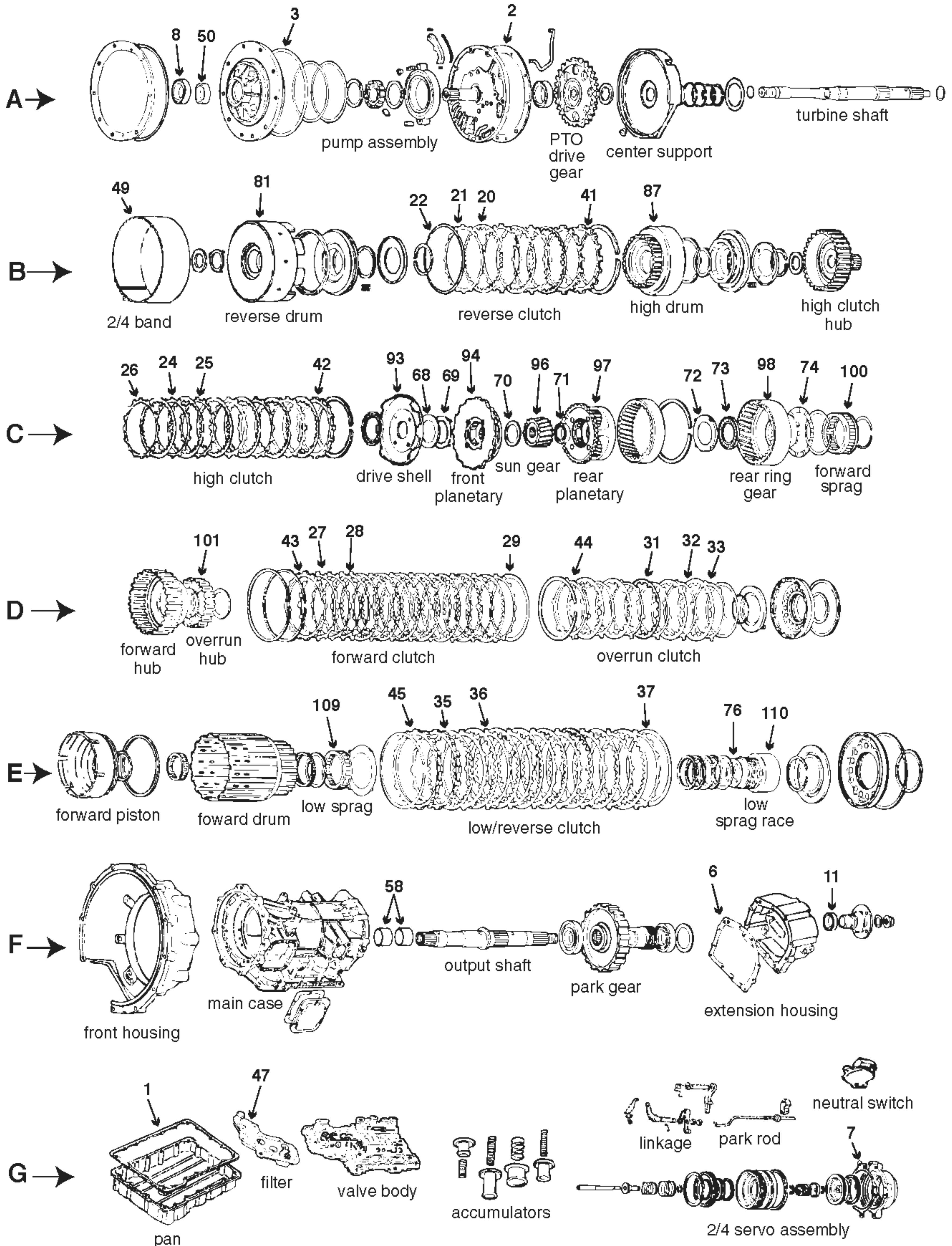
# TH400•400•3L80•TH375•TH425

TH400•3L80•375•425

| ILL                                 | DESCRIPTION                             | QTY | YEAR  | REFERENCE # | PART #   |
|-------------------------------------|---|-----|-------|-------------|----------|
| <b>BUSHINGS (CONTINUED)</b>         |   |     |       |             |          |
| n/i                                 | Bushing (not in kit)                    | 1   | 64-93 | 30104A      | 30104A   |
| <b>WASHERS/BEARINGS/RACES/SHIMS</b> |   |     |       |             |          |
| K12                                 | Kit, thrust bearing                     | 1   | 64-93 | AE          | K34907A  |
| K15                                 | Kit, rear case bearing                  | 1   | 65-93 | TL-400-BK   | TL400-BK |
| K14                                 | Kit, thrust washer                      | 1   | 64-93 | AE          | K34907   |
| A54                                 | Washer, thrust (metal) .062" yellow     | sel | 64-93 | 8623300     | 34208    |
| A54                                 | Washer, thrust (metal) .073" blue       | sel | 64-93 | 8623301     | 34208A   |
| A54                                 | Washer, thrust (metal) .084" red        | sel | 64-93 | 8623302     | 34208B   |
| A54                                 | Washer, thrust (metal) .095" brown      | sel | 64-93 | 8623303     | 34208C   |
| A54                                 | Washer, thrust (metal) .106" green      | sel | 64-93 | 8623304     | 34208D   |
| A54                                 | Washer, thrust (metal) .117" black      | sel | 64-93 | 8623305     | 34208E   |
| A54                                 | Washer, thrust (metal) .128" purple     | sel | 64-93 | 8623306     | 34208F   |
| E55                                 | Washer, thrust (metal) .060" (4 tabs)   | 2   | 64-93 | 8626372     | 32406    |
| E55                                 | Washer, thrust (plastic) .060" (4 tabs) | 2   | 64-93 | 8626372     | 32406A   |
| E57                                 | Washer, thrust (metal) .075"-.078"      | sel | 64-93 | 8625401     | 34601    |
| E57                                 | Washer, thrust (metal) .082"-.086"      | sel | 64-93 | 8625402     | 34601A   |
| E57                                 | Washer, thrust (metal) .090"-.094"      | sel | 64-93 | 8625403     | 34601B   |
| E57                                 | Washer, thrust (metal) .098"-.102"      | sel | 64-93 | 8625404     | 34601C   |
| E57                                 | Washer, thrust (metal) .106"-.110"      | sel | 64-93 | 8625405     | 34601D   |
| E57                                 | Washer, thrust (metal) .114"-.118"      | sel | 64-93 | 8625406     | 34601E   |
| E57                                 | Washer, thrust (case saver)             | 1   | 64-93 | 34270T      | 34601X   |
| C58                                 | Washer, thrust (metal)                  | 1   | 64-93 | 8623211     | 34401    |
| B59                                 | Washer, thrust (metal)                  | 1   | 64-93 | 8624196     | 34339    |
| B60                                 | Thrust washer (metal)                   | 1   | 64-93 | 8624781     | 34301    |
| D61                                 | Bearing, thrust (3 piece)               | 1   | 64-93 | 8623920     | 34920    |
| D62                                 | Bearing, thrust (3 piece)               | 1   | 64-93 | 8623921     | 34921    |
| D63                                 | Bearing, thrust (3 piece)               | 1   | 64-93 | 8623922     | 34922    |
| <b>PUMP PARTS AND PUMPS</b>         |   |     |       |             |          |
| A65                                 | Pump, assembly (variable pitch)         | 1   | 65-67 | AE          | 34200-R  |
| A65                                 | Pump, assembly (non variable pitch)     | 1   | 65-90 | AE          | 34200B-R |
| A65                                 | Pump, assembly                          | 1   | 71-93 | AE          | 34200C-R |
| H66                                 | Pump, body w/gears                      | 1   | 66-78 | AE          | 32200D-R |
| A67                                 | Gear set, pump .725"                    | 1   | 64-93 | AE          | K35201   |
| A67                                 | Gear set, pump .727"                    | 1   | 64-93 | AE          | K35201B  |
| <b>HARD PARTS</b>                   |   |     |       |             |          |
| C68                                 | Support, center                         | 1   | 64-66 | n/a         | 34846-R  |
| C68                                 | Support, center                         | 1   | 67-89 | 8625990     | 34846A-R |
| C68                                 | Support, center                         | 1   | 90-93 | 8680914     | 34846B-R |
| F71                                 | Governor assembly (2nd type)            | 1   | 64-93 | 8623852     | 34410    |
| F71                                 | Governor assembly (2nd type)            | 1   | 64-93 | 8623852     | 34410-R  |
| G72                                 | Governor assembly                       | 1   | 66-78 | 8626853     | 34410A-R |
| F73                                 | Kit, governor gear                      | 1   | 64-93 | 8623924     | K34411   |
| H73                                 | Kit, governor gear                      | 1   | 64-93 | 8624939     | K34411A  |
| C74                                 | Snap ring (spiral)                      | 1   | 64-93 | n/a         | 34418SR  |
| D75                                 | Planetary, output carrier assembly      | 1   | 64-93 | 8625957     | 34880-R  |
| D75                                 | Planetary, output carrier assembly      | 1   | 66-93 | 8681948     | 34880B-R |
| D76                                 | Silencer, ring (plastic)                | 1   | 64-93 | 8626112     | 34999    |
| D77                                 | Planetary, reaction carrier assembly    | 1   | 64-67 | 8624971     | 34875-R  |
| D77                                 | Carrier, reaction                       | 1   | 68-93 | 8675627     | 34875A-R |
| D77                                 | Carrier, reaction (straight cut)        | 1   | 66-93 | 24205552    | 34875B-R |
| C78                                 | Race, outer                             | 1   | 64-93 | 8629487     | 34839-R  |
| C79                                 | Housing, direct clutch                  | 1   | 70-93 | 24208745    | 34838-R  |
| C79                                 | Housing, direct clutch (smooth cam)     | 1   | 68-93 | 8627435     | 34836-R  |

| ILL                           | DESCRIPTION   | QTY | YEAR  | REFERENCE # | PART #   |
|-------------------------------|---|-----|-------|-------------|----------|
| <b>HARD PARTS (CONTINUED)</b> |   |     |       |             |          |
| E80                           | Shaft, output 4WD Jeep Wagoneer TH400 (12-1/4" course spline)         | 1   | 73-93 | 8624900     | 34935E-R |
| E80                           | Shaft, output 4WD Chevy (6 1/4")                                      | 1   | 74-79 | 8679978     | 34655-R  |
| E80                           | Shaft, output w/bolt on yoke (9 1/4")                                 | 1   | 79-93 | 8679974     | 34935B-R |
| E80                           | Shaft, output 4WD Chevy (7 1/4")                                      | 1   | 77-93 | 88679991    | 34935C-R |
| E80                           | Shaft, output 4WD conversion 6 1/4" for 700-R4 to TH400               | 1   | 74-79 | n/a         | 34655C-R |
| F81                           | Spring, rear accumulator (yellow)                                     | 1   | 67-82 | 8625426     | 34706B   |
| F81                           | Spring, rear accumulator (blue)                                       | 1   | 67-93 | 8624256     | 34706    |
| F81                           | Spring, rear accumulator (plain)                                      | 1   | 65-93 | 8623667     | 34706A   |
| E82                           | Clip, speedo drive gear   | 1   | 67-93 | 8626089     | 34226    |
| D83                           | Shaft, sun gear   | 1   | 64-78 | 8623177     | 34872-R  |
| D83                           | Shaft, sun gear   | 1   | 79-93 | 8679955     | 34872A-R |
| G84                           | Chain, drive  | 1   | 66-78 | HV-001      | 34417    |
| F85                           | Piston, front accumulator TH400 (aluminum)                            | 1   | 65-93 | 8626883     | 34707    |
| D86                           | Gear, sun   | 1   | 64-78 | n/a         | 34873-R  |
| D86                           | Gear, sun   | 1   | 79-93 | 8626807     | 34873A-R |
| D86                           | Gear, sun (straight cut)  | 1   | 66-93 | 8627130     | 34873B-R |
| D87                           | Mainshaft   | 1   | 64-93 | 8681951     | 34871-R  |
| D88                           | Gear, rear ring   | 1   | 64-93 | 8683770     | 34874-R  |
| D88                           | Gear, rear ring (straight cut)  | 1   | 64-96 | 8683771     | 34874B-R |
| B89                           | Hub (cast)  | 1   | 65-93 | 8677091     | 34870A-R |
| F90                           | Pan, deep   | 1   | 65-93 | 8655020     | 8655020  |
| F91                           | Vent tube (plastic)   | 1   | 65-93 | 8633408     | 96-189   |
| n/i                           | Filler tube repair  | 1   | 64-93 | M99100A     | 96-140A  |
| n/i                           | Bolt, deep pan  | 1   | 68-93 | 8633208     | 8633208  |
| n/i                           | Spacer, deep pan  | 1   | 68-93 | 8629523     | 8629523  |
| n/i                           | Tube, deep pan pick-up  | 1   | 68-93 | 8629526     | 8629526  |
| n/i                           | VB spacer plate   | 1   | 87-93 | 8655887     | 8655887  |
| n/i                           | Piston, 5-clutch w/o ball (aluminum) .650"-.690" thickness            | 1   | 64-93 | AE          | 34515-R  |
| n/i                           | Piston, 5-clutch w/ball (aluminum) .650"-.690" thickness              | 1   | 64-93 | AE          | 34517-R  |
| n/i                           | Piston, intermediate clutch (aluminum)                                | 1   | 64-93 | AE          | 34519-R  |
| <b>ELECTRICAL COMPONENTS</b>  |   |     |       |             |          |
| F141                          | Solenoid, detent (short wire) TH400 (mounts on valve body)            | 1   | 64-93 | 8629935     | 5A-100   |
| F142                          | Connector, case (1 prong)   | 1   | 64-64 | 2977975     | 5A-101   |
| F142                          | Connector, case (2 prongs)  | 1   | 65-67 | 2984091     | 5A-101A  |
| F142                          | Connector, case (1 prong)   | 1   | 68-69 | 8629503     | 5A-101B  |
| F142                          | Connector, w/insulation 1970-72                                       | 1   | 70-82 | 8629502     | 5A-102   |
| n/i                           | Solenoid TH400/425 (stator control mounts on pump)                    | 1   | 65-67 | 1993690     | 5A-99    |
| n/i                           | Sensor, vehicle speed   | 1   | 88-93 | 8655291     | 05-105   |
| <b>SPRAGS</b>                 |   |     |       |             |          |
| C69                           | Sprag (cage type)(heavy duty 34 elements) TH400 (intermediate clutch) | 1   | 64-93 | 425-400-18  | 34418X   |
| C69                           | Sprag (roller type) TH400 (intermediate clutch)                       | 1   | 71-93 | 8625814     | 34419    |
| D70                           | Sprag (roller type) TH400 (low clutch)                                | 1   | 66-93 | 8623842     | 34402A   |
| <b>SPEEDO GEARS</b>           |   |     |       |             |          |
| n/i                           | Gear, speedo 15T (metal) gray   | 1   | 64-90 | 8629548     | 02-226   |
| n/i                           | Gear, speedo 17T (metal) red  | 1   | 64-90 | 8629548     | 02-228   |
| n/i                           | Gear, speedo 18T (metal) light blue                                   | 1   | 64-90 | 8629549     | 02-230   |
| n/i                           | Gear, speedo 19T (metal) yellow                                       | 1   | 64-90 | 8629550     | 02-232   |
| n/i                           | Gear, speedo 21T (metal) black  | 1   | 64-90 | 8679937     | 02-234   |
| n/i                           | Gear, speedo 20T (plastic) green                                      | 1   | 80-90 | n/a         | 02-236   |
| n/i                           | Gear, speedo 16T (metal) orange                                       | 1   | 64-90 | n/a         | 02-238   |
| n/i                           | Housing, speedo 36-39T large diameter (2-1/16" aluminum)              | 1   | 64-90 | 1362294     | 04-196   |
| n/i                           | Housing, speedo 40-45T large diameter (2-1/16" aluminum)              | 1   | 64-90 | 1362293     | 04-198   |





JR403E/RG4R01A/RMK  
33000

| ILL                                  | DESCRIPTION   | QTY | YEAR  | REFERENCE #  | PART #   |
|--------------------------------------|---|-----|-------|--------------|----------|
| <b>TECHNICAL MANUALS</b>             |   |     |       |              |          |
| K53                                  | Tech manual JR403E dis/assembly diagnosis/troubleshooting | 1   | 88-98 | 83-JR403ETM  | 010-443  |
| <b>REBUILDER KITS</b>                |   |     |       |              |          |
| K5                                   | Master kit w/steels RG4R01A/JR403E                        | 1   | 88-98 | AE           | K3300    |
| K6                                   | Master kit w/o steels RG4R01A/JR403E                      | 1   | 88-98 | AE           | K3300-LS |
| K7                                   | O/H gasket set w/seals-rings RG4R01A/JR403E               | 1   | 88-98 | AE           | K33900   |
| <b>VALVE BODY KITS</b>               |   |     |       |              |          |
| K15                                  | Shift Kit® planet/clutch and band burn up                 | 1   | 88-98 | SK® RE4R01A  | K78908   |
| K15                                  | Shift Correction Package JR403E                           | 1   | 88-98 | KJR403E      | S33908   |
| <b>GASKETS AND RUBBER COMPONENTS</b> |   |     |       |              |          |
| G1                                   | Gasket, oil pan neoprene/cork                             | 1   | 88-98 | 31397-51X00  | 13138X   |
| G1                                   | Gasket, oil pan Duraprene®                                | 1   | 88-98 | 31397-51X00F | 13138D   |
| A2                                   | Gasket, pump to case RG4R01A/JR403E                       | 1   | 88-98 | 94483318     | 23087    |
| A3                                   | O'ring pump to case                                       | 1   | 88-98 | 31526-41X01  | 23061    |
| F6                                   | Gasket, extension housing RG4R01A/JR403E                  | 1   | 88-98 | 94483334     | 23088    |
| G7                                   | Gasket, servo cover RG4R01A/JR403E                        | 1   | 88-98 | 31623-51X00  | 23078    |
| n/i                                  | O'ring filter to valve body                               | 1   | 88-98 | 31526-41X07  | 23062    |
| n/i                                  | O'ring case connector                                     | 1   | 88-98 | 31526-41X04  | 23082    |
| n/i                                  | O'ring output speed sensor                                | 1   | 88-98 | 31526-41X05  | 23083    |
| n/i                                  | Gasket RG4R01A/JR403E                                     | 1   | 88-98 | 31716-41X01  | 23494    |
| n/i                                  | Gasket RG4R01A/JR403E                                     | 1   | 88-98 | 31717-51X00  | 23495    |
| n/i                                  | Seal center support to case                               | 4   | 88-98 | 94483324     | 23467    |
| <b>METAL CLAD SEALS</b>              |   |     |       |              |          |
| A8                                   | Seal, metal clad front                                    | 1   | 88-98 | 94483289     | 68200    |
| F11                                  | Seal, metal clad Isuzu (extension housing)                | 1   | 88-98 | 94483329     | 33200    |
| F11                                  | Seal, metal clad Nissan (extension housing)               | 1   | 88-98 | 32136-02T00  | 33201    |
| n/i                                  | Seal, metal clad manual lever shaft                       | 1   | 88-98 | 94483246     | 78210    |
| <b>SEALING RINGS</b>                 |   |     |       |              |          |
| K10                                  | Kit, sealing ring RG4R01A/JR403E                          | 1   | 88-98 | AE           | K73300   |
| <b>CLUTCH PLATES</b>                 |   |     |       |              |          |
| B20                                  | Friction .075" 6.12" od 64T reverse clutch                | 3   | 88-98 | 94483445     | 73106    |
| B21                                  | Steel .079" 5.2" id 40T reverse clutch                    | 3   | 88-98 | 94483440     | 73107    |
| B21                                  | Steel .110" 5.2" id 40T reverse clutch                    | ar  | 88-98 | 31536-51X06  | 73107A   |
| B22                                  | Steel, dished reverse clutch (cushion)                    | 1   | 88-98 | 31535-51X05  | 73126-R  |
| C24                                  | Friction .062" 6.12" od 64T high clutch                   | 6   | 88-98 | 94483419     | 73104    |
| C25                                  | Steel .118" 5.2" id 40T (not in kit) high clutch          | 6   | 88-92 | 94483418     | 73107B   |
| C25                                  | Steel .079" 5.2" id 40T high clutch                       | 7   | 92-98 | 94483440     | 73107    |
| C26                                  | Steel, dished high clutch (cushion)                       | 1   | 88-98 | 31535-51X05  | 73126-R  |
| D27                                  | Friction .079" 6.6" od 50T forward clutch                 | 7/8 | 88-98 | 94483388     | 73101    |
| D28                                  | Steel .079" 6.1" id 36T forward clutch                    | 14  | 88-98 | 94483387     | 73100    |
| D29                                  | Steel, dished forward clutch (cushion)                    | 1   | 88-98 | 31535-51X01  | 73122-R  |
| D31                                  | Friction .079" 6.1" od 20T overrun clutch                 | 5   | 88-98 | 94483399     | 73103A   |
| D32                                  | Steel .079" 5.36" id 6T overrun clutch                    | 5   | 88-98 | 94483398     | 73113    |
| D33                                  | Steel, dished (not in kit) overrun clutch (cushion)       | 1   | 88-98 | 31535-51X02  | 73123-R  |
| E35                                  | Friction .064" 6.12" od 33T low/reverse clutch            | 8   | 88-98 | 94483263     | 73108    |
| E36                                  | Steel .079" 5.48" od 11T low/reverse clutch               | 8   | 88-98 | 94483262     | 73114    |
| E37                                  | Steel, dished low/reverse clutch (cushion)                | 1   | 88-98 | 31535-51X04  | 73124-R  |
| <b>PRESSURE PLATES</b>               |   |     |       |              |          |
| B41                                  | Pressure plate reverse clutch                             | sel | 88-98 | 31537-51X00  | 73717-R  |
| C42                                  | Pressure plate high clutch                                | sel | 88-98 | 31537-51X00  | 73717-R  |
| D43                                  | Pressure plate forward clutch                             | sel | 88-98 | 31537-51X05  | 73714-R  |
| D44                                  | Pressure plate overrun clutch                             | sel | 88-98 | 31537-51X11  | 73715-R  |
| E45                                  | Pressure plate low/reverse clutch                         | sel | 88-98 | 31667-51X00  | 73716-R  |



# SPEEDOMETER PROBLEMS

## Speedometer slow (on dash) head

- (1) Increase teeth on drive gear
- (2) Decrease teeth on driven gear

## Speedometer fast (on dash) head

- (1) Decrease teeth on drive gear
- (2) Increase teeth on driven gear

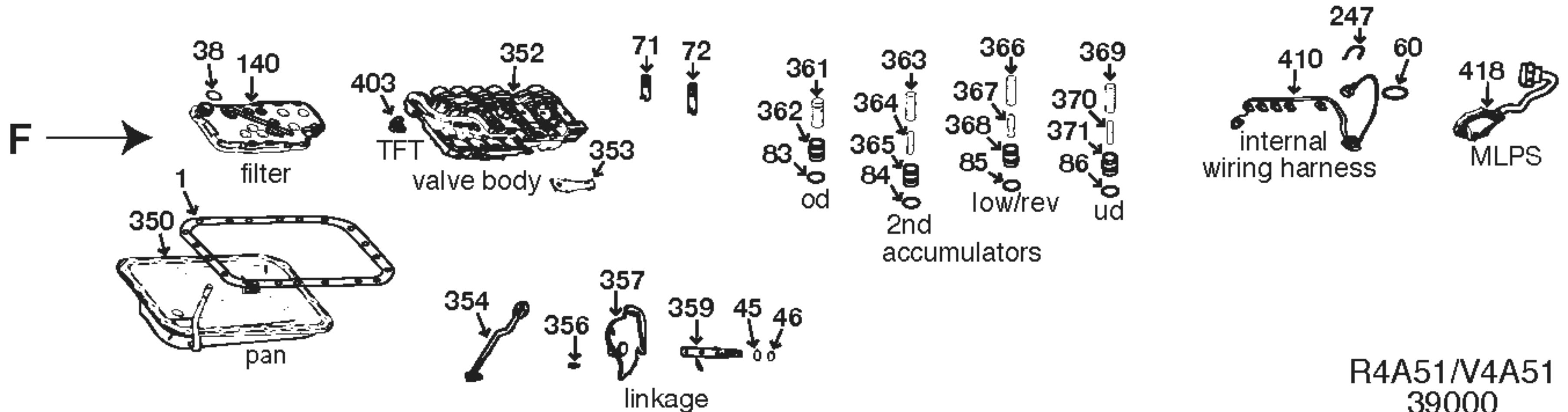
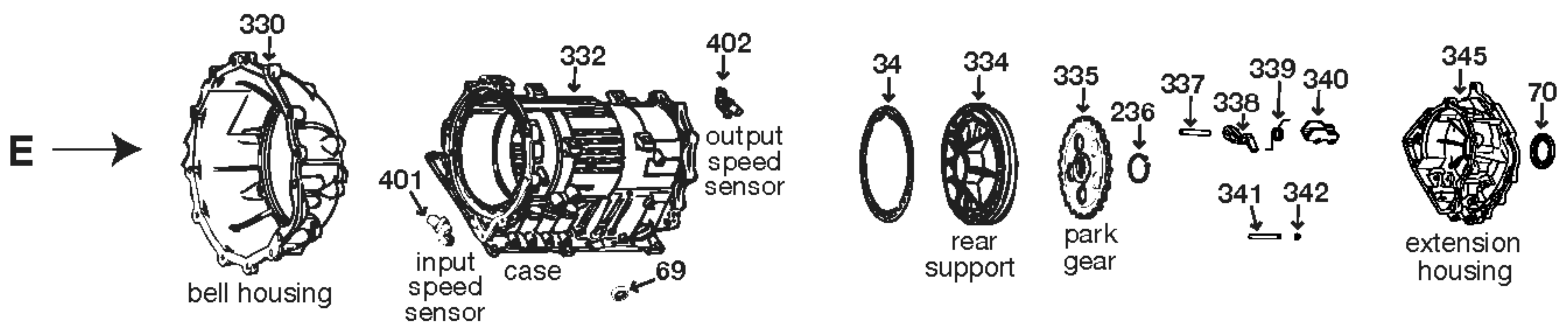
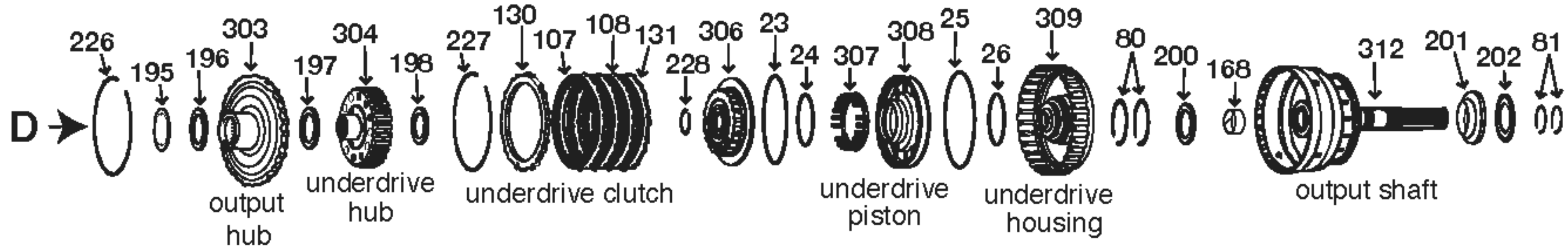
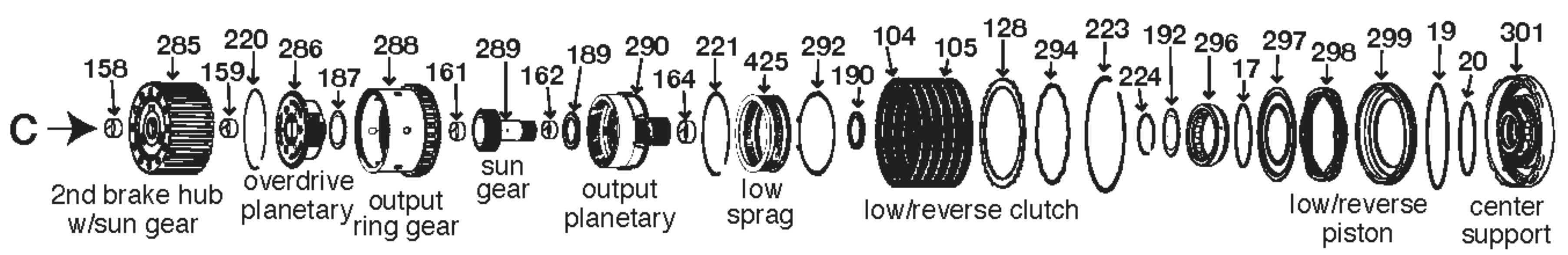
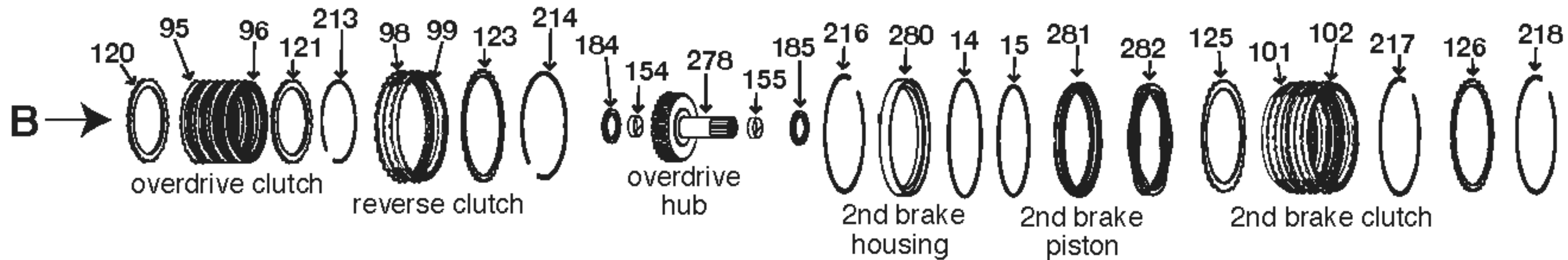
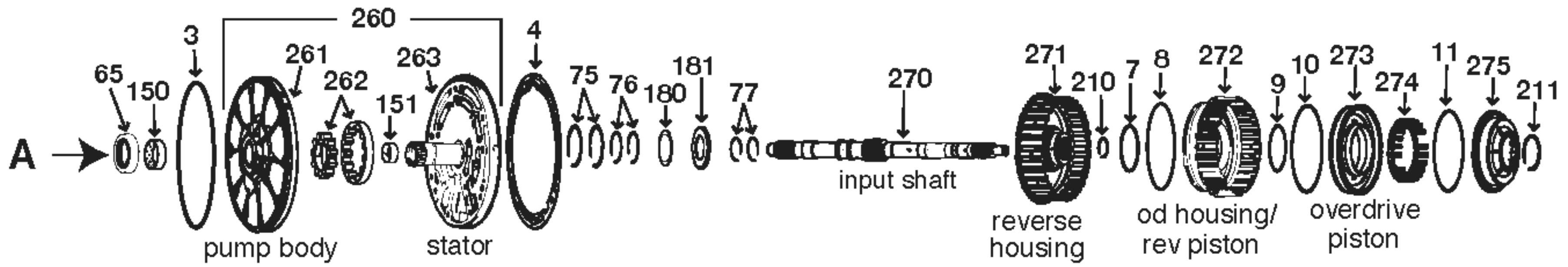
Usually, there is a 3 to 5 mph change in each tooth.

The drive gear is on the output shaft on most RWD vehicles.  
The driven gear is usually in the extension housing.

Most GM vehicles have both replaceable drive and driven gears.  
Most Ford and Chrysler vehicles have their drive gears cut into output shafts (which do come in different tooth counts). Only driven gears can be replaced without removal of output shafts. This applies to most Ford and Chrysler RWD automatics and standards.

Most Conventional 4x4's are driven at the transfer case.





R4A51/V4A51  
39000

| ILL                                  | DESCRIPTION                          |                            | QTY | YEAR  | REFERENCE #    | PART #   |
|--------------------------------------|--------------------------------------|----------------------------|-----|-------|----------------|----------|
| <b>TECHNICAL MANUALS</b>             |                                      |                            |     |       |                |          |
| K53                                  | Tech manual V4A51/R4A51 dis/assembly | diagnosis/troubleshooting  | 1   | 99-04 | R/V4A51/V5A51  | 010-459  |
| <b>REBUILDER KITS</b>                |                                      |                            |     |       |                |          |
| K5                                   | Master kit w/steels                  | R/V4A51                    | 1   | 99-04 | AE             | K3900    |
| K6                                   | Master kit w/o steels                | R/V4A51                    | 1   | 99-04 | AE             | K3900-LS |
| K7                                   | O/H gasket set w/seals-rings         | R/V4A51/R/V5A51            | 1   | 99-04 | AE             | K39900   |
| <b>VALVE BODY KITS</b>               |                                      |                            |     |       |                |          |
| K15                                  | Kit, valve body repair               | V4A51/R4A51                | 1   | 99-04 | n/a            | K39908   |
| <b>GASKETS AND RUBBER COMPONENTS</b> |                                      |                            |     |       |                |          |
| F1                                   | Gasket, oil pan                      | Duraprene®                 | 1   | 99-04 | B11349         | 13013D   |
| A3                                   | O'ring                               | pump to case               | 1   | 99-04 | MR176814       | 1026     |
| A4                                   | Gasket                               | pump to case               | 1   | 99-04 | MR195630       | 3906L    |
| n/i                                  | Gasket                               | valve body (upper)         | 1   | 99-04 | MR430313       | 3907L    |
| n/i                                  | Gasket                               | valve body (lower)         | 1   | 99-04 | MR430314       | 3908L    |
| n/i                                  | Gasket                               | valve body plate           | 1   | 99-04 | MR276853       | 3909L    |
| n/i                                  | O'ring                               | speedo driven gear         | 1   | 99-04 | MD701788       | 13104    |
| n/i                                  | O'ring                               | speedo housing             | 1   | 99-04 | MD520403       | 1028     |
| n/i                                  | O'ring                               | filler tube                | 1   | 99-04 | MD707200       | 13103    |
| n/i                                  | O'ring                               | manual lever shaft (inner) | 1   | 99-04 | MD707200       | 13103    |
| n/i                                  | O'ring                               | manual lever shaft (outer) | 1   | 99-04 | MD726966       | 1031     |
| n/i                                  | O'ring                               | case connector             | 1   | 99-04 | MD622022       | 1020     |
| n/i                                  | O'ring                               | input/output speed sensor  | 2   | 99-04 | MD622021       | 1021     |
| n/i                                  | O'ring                               | oil filter                 | 1   | 99-04 | MD622023       | 1018     |
| <b>METAL CLAD SEALS</b>              |                                      |                            |     |       |                |          |
| A65                                  | Seal, metal clad                     | pump                       | 1   | 99-04 | MD707575       | 63200    |
| E70                                  | Seal, metal clad                     | extension housing (2WD)    | 1   | 99-04 | MR446308       | 46206    |
| E70                                  | Seal, metal clad                     | adapter housing (4WD)      | 1   | 99-04 | MR350599       | 46208    |
| <b>SEALING RINGS</b>                 |                                      |                            |     |       |                |          |
| K10                                  | Kit, sealing ring                    | V4A51/R4A51                | 1   | 99-04 | AE             | K39300   |
| A75                                  | Ring, sealing 64.5mm                 | pump (large)               | 2   | 99-04 | MD760147       | 39301    |
| A76                                  | Ring, sealing 53.5mm                 | pump (small)               | 2   | 99-04 | MD760146       | 39302    |
| A77                                  | Ring, sealing (teflon) 26mm          | input shaft                | 2   | 99-04 | MD722551       | 63313T   |
| D80                                  | Ring, sealing                        | output shaft (front)       | 2   | 99-04 | MR246865       | 39307    |
| D81                                  | Ring, sealing (metal) 35.3mm         | output shaft (rear)        | 2   | 99-04 | MD707520       | 63301    |
| F83                                  | Ring, sealing                        | accumulator                | 4   | 99-04 | MR336747       | 39305    |
| n/i                                  | Ring, sealing                        | dampening valve            | 1   | 99-04 | MD757761       | 39309    |
| <b>CLUTCH PLATES</b>                 |                                      |                            |     |       |                |          |
| B95                                  | Steel .099" 4.850" id 20T            | overdrive clutch           | 3   | 99-04 | APC-124709     | 63127    |
| B96                                  | Friction .067" 5.810" od 30T (waved) | overdrive clutch           | 4   | 99-04 | APC-124708     | 63121    |
| B98                                  | Steel .071" 6.031" id 20T            | reverse clutch             | 2   | 99-04 | APC-124705     | 63125    |
| B99                                  | Friction .067" 6.535" od 30T         | reverse clutch             | 2   | 99-04 | APC-124704     | 63111    |
| B101                                 | Steel .153" 6.031" id 16T            | 2nd brake clutch           | 3   | 99-04 | APC-124703-390 | 63137    |
| B102                                 | Friction .067" 7.030" od 30T         | 2nd brake clutch           | 4   | 99-04 | APC-124702     | 63113    |
| C104                                 | Friction .067" 7.030" od 30T         | low/reverse clutch         | 6   | 99-04 | APC-124706     | 63115    |
| C105                                 | Steel .039" 6.294" id 16T            | low/reverse clutch         | 5   | 99-04 | APC-124707     | 63132    |
| D107                                 | Friction .067" 5.827" od 30T (waved) | underdrive clutch          | 4   | 99-04 | APC-124700     | 63119    |
| D108                                 | Steel .071" 4.850" id 20T            | underdrive clutch          | 4   | 99-04 | APC-124701     | 63122    |
| <b>PRESSURE PLATES</b>               |                                      |                            |     |       |                |          |
| B120                                 | Pressure plate (apply)               | overdrive clutch           | 1   | 99-04 | AE             | 39717A-R |
| B121                                 | Pressure plate .236" 6" id 30T       | overdrive clutch (backing) | 1   | 99-04 | AE             | 39717-R  |
| B123                                 | Pressure plate                       | reverse clutch             | 1   | 99-04 | AE             | 39716-R  |
| B125                                 | Pressure plate .063" 5.900" id 16T   | 2nd brake clutch (apply)   | sel | 99-04 | MR336390       | 39718-R  |
| B125                                 | Pressure plate .071" 5.900" id 16T   | 2nd brake clutch (apply)   | sel | 99-04 | MR336391       | 39718A-R |
| B125                                 | Pressure plate .078" 5.900" id 16T   | 2nd brake clutch (apply)   | sel | 99-04 | MR336392       | 39718B-R |

# R4A51•V4A51

R4A51•V4A51

| ILL                                 | DESCRIPTION  | QTY | YEAR  | REFERENCE # | PART #   |
|-------------------------------------|--|-----|-------|-------------|----------|
| <b>PRESSURE PLATES (CONTINUED)</b>  |  |     |       |             |          |
| B125                                | Pressure plate .087" 5.900" id 16T<br>2nd brake clutch (apply)               | sel | 99-04 | MR336393    | 39718C-R |
| B125                                | Pressure plate .094" 5.900" id 16T<br>2nd brake clutch (apply)               | sel | 99-04 | MR336394    | 39718D-R |
| B125                                | Pressure plate .102" 5.900" id 16T<br>2nd brake clutch (apply)               | sel | 99-04 | MR336395    | 39718E-R |
| B125                                | Pressure plate .110" 5.900" id 16T<br>2nd brake clutch (apply)               | sel | 99-04 | MR336396    | 39718F-R |
| B125                                | Pressure plate .118" 5.900" id 16T<br>2nd brake clutch (apply)               | sel | 99-04 | MR336397    | 39718G-R |
| B126                                | Pressure plate .233" 5.900" id 16T<br>2nd brake/low reverse clutch (backing) | 1   | 99-04 | MR246249    | 39715-R  |
| B128                                | Pressure plate (apply)<br>low/reverse clutch                                 | sel | 99-04 | MD759568    | 39720-R  |
| D130                                | Pressure plate .157"<br>underdrive clutch (backing)                          | 1   | 99-04 | APC-124760  | 39721-R  |
| D131                                | Pressure plate (apply)<br>underdrive clutch                                  | 1   | 99-04 | AE          | 39714-R  |
| <b>FILTERS</b>                      |  |     |       |             |          |
| K9                                  | Kit, filter (shallow pan)<br>V4A51/R4A51                                     | 1   | 99-04 | AE          | DK39800  |
| K9                                  | Kit, filter (deep pan)<br>V4A51/R4A51  | 1   | 99-04 | AE          | DK39800A |
| F140                                | Filter (shallow pan)<br>V4A51/R4A51  | 1   | 99-04 | MR357710    | 39800    |
| F140                                | Filter (deep pan)<br>V4A51/R4A51   | 1   | 99-04 | MR528836    | 39800A   |
| <b>BUSHINGS</b>                     |  |     |       |             |          |
| K13                                 | Kit, bushing<br>V4A51/R4A51  | 1   | 99-04 | AE          | K39901   |
| A150                                | Bushing<br>pump body   | 1   | 99-04 | n/a         | 63001    |
| A151                                | Bushing<br>pump support (front)  | 1   | 99-04 | n/a         | 39002    |
| B154                                | Bushing<br>overdrive clutch hub (front)                                      | 1   | 99-04 | n/a         | 39004    |
| B155                                | Bushing<br>overdrive clutch hub (rear)                                       | 1   | 99-04 | n/a         | 39004    |
| C158                                | Bushing<br>2nd brake clutch hub (front)                                      | 1   | 99-04 | n/a         | 39005    |
| C159                                | Bushing<br>2nd brake clutch hub (rear)                                       | 1   | 99-04 | n/a         | 39005    |
| C161                                | Bushing<br>underdrive sun gear (front)                                       | 1   | 99-04 | n/a         | 39006    |
| C162                                | Bushing<br>underdrive sun gear (rear)  | 1   | 99-04 | n/a         | 39006    |
| C164                                | Bushing<br>output planetary (rear)   | 1   | 99-04 | n/a         | 39008    |
| D168                                | Bushing<br>output shaft (front)  | 1   | 99-04 | n/a         | 39010    |
| n/i                                 | Bushing<br>case (rear)   | 1   | 99-04 | n/a         | 39015    |
| <b>WASHERS/BEARINGS/RACES/SHIMS</b> |  |     |       |             |          |
| K12                                 | Kit, thrust bearing<br>V4A51/R4A51   | 1   | 99-04 | AE          | K39906   |
| A180                                | Race, thrust<br>pump support to bearing                                      | 1   | 99-04 | n/a         | 39401    |
| A181                                | Bearing, thrust<br>pump support to reverse housing                           | 1   | 99-04 | n/a         | 39402    |
| B184                                | Bearing, thrust<br>overdrive clutch hub to reverse housing                   | 1   | 99-04 | n/a         | 39405    |
| B185                                | Bearing, thrust<br>overdrive clutch hub to 2nd brake hub                     | 1   | 99-04 | n/a         | 39407    |
| C187                                | Bearing, thrust<br>overdrive planetary to sun gear                           | 1   | 99-04 | n/a         | 39409    |
| C189                                | Bearing, thrust<br>sun gear to output planetary                              | 1   | 99-04 | n/a         | 39410    |
| C190                                | Bearing, thrust<br>output planetary to output hub                            | 1   | 99-04 | n/a         | 39411    |
| C192                                | Bearing, thrust<br>inner sprag race  | 1   | 99-05 | n/a         | 39412    |
| C195                                | Race, thrust<br>center support to bearing                                    | 1   | 99-04 | n/a         | 39413    |
| D196                                | Bearing, thrust<br>center support to output hub                              | 1   | 99-04 | n/a         | 39414    |
| D197                                | Bearing, thrust<br>underdrive hub to output hub                              | 1   | 99-04 | n/a         | 39415    |
| D198                                | Bearing, thrust<br>underdrive hub to underdrive housing                      | 1   | 99-04 | n/a         | 39416    |
| D200                                | Bearing, thrust<br>underdrive housing to output shaft                        | 1   | 99-04 | n/a         | 39420    |
| D201                                | Race, thrust<br>output planetary to bearing                                  | 1   | 99-04 | n/a         | 39422    |
| D202                                | Bearing, thrust<br>output shaft to case                                      | 1   | 99-04 | n/a         | 39423    |
| <b>SNAP RINGS</b>                   |  |     |       |             |          |
| A210                                | Snap ring<br>reverse housing to input shaft                                  | 1   | 99-04 | AE          | 39606-R  |
| A211                                | Snap ring<br>overdrive clutch retainer                                       | 1   | 99-04 | AE          | 39603-R  |
| B213                                | Snap ring<br>overdrive clutch pressure plate                                 | 1   | 99-04 | AE          | 39605-R  |
| B214                                | Snap ring<br>reverse clutch pressure plate                                   | 1   | 99-04 | AE          | 39607-R  |
| B216                                | Snap ring<br>2nd brake housing   | 1   | 99-04 | AE          | 39609-R  |
| B217                                | Snap ring<br>2nd clutch stop   | 1   | 99-04 | AE          | 39611-R  |
| B218                                | Snap ring<br>2nd clutch pressure plate                                       | 1   | 99-04 | AE          | 39612-R  |
| C220                                | Snap ring<br>overdrive planetary to ring gear                                | 1   | 99-04 | AE          | 39615-R  |

| ILL                           | DESCRIPTION  | QTY | YEAR  | REFERENCE #   | PART #   |
|-------------------------------|--|-----|-------|---------------|----------|
| <b>SNAP RINGS (CONTINUED)</b> |  |     |       |               |          |
| C292                          | Snap ring low sprag to ring gear                               | 1   | 99-04 | AE            | 39617-R  |
| C223                          | Snap ring low/reverse clutch pressure plate                    | 1   | 99-04 | AE            | 39618-R  |
| C224                          | Snap ring low/reverse retainer                                 | 1   | 99-04 | AE            | 39620-R  |
| D226                          | Snap ring center support                                       | 1   | 99-04 | AE            | 39622-R  |
| D227                          | Snap ring underdrive pressure plate                            | 1   | 99-04 | AE            | 39623-R  |
| D228                          | Snap ring underdrive clutch retainer                           | 1   | 99-04 | AE            | 39625-R  |
| E236                          | Snap ring park gear on output shaft                            | 1   | 99-04 | AE            | 39632-R  |
| <b>PUMP PARTS AND PUMPS</b>   |  |     |       |               |          |
| A260                          | Pump, complete pump body has bushing                           | 1   | 99-04 | MR246336      | 39200-R  |
| A260                          | Pump, complete pump body is bushing surface                    | 1   | 99-04 | AE            | 39200A-R |
| A261                          | Body, pump (aluminum) pump body has bushing                    | 1   | 99-04 | casting #664  | 39300-R  |
| A261                          | Body, pump (aluminum) pump body is bushing surface             | 1   | 99-04 | casting #337B | 39300A-R |
| A262                          | Gears, pump V4A51/R4A51  | 1   | 99-04 | n/a           | K39201   |
| A263                          | Support, pump V4A51/R4A51                                      | 1   | 99-04 | AE            | 39400-R  |
| <b>HARD PARTS</b>             |  |     |       |               |          |
| A270                          | Shaft, input (14.675" length) V4A51/R4A51                      | 1   | 99-04 | AE            | 39920-R  |
| A271                          | Housing, reverse clutch V4A51/R4A51                            | 1   | 99-04 | AE            | 39921-R  |
| A272                          | Piston, reverse clutch/overdrive housing V4A51/R4A51           | 1   | 99-04 | AE            | 39923-R  |
| A273                          | Piston, overdrive clutch overdrive clutch                      | 1   | 99-04 | AE            | 39924-R  |
| A274                          | Retainer, w/springs overdrive clutch                           | 1   | 99-04 | AE            | 39925-R  |
| A275                          | Piston, balance (retainer) overdrive clutch                    | 1   | 99-04 | AE            | 39926-R  |
| B278                          | Hub, overdrive clutch V4A51/R4A51                              | 1   | 99-04 | AE            | 39927-R  |
| B280                          | Housing, 2nd brake clutch piston V4A51/R4A51                   | 1   | 99-04 | AE            | 39929-R  |
| B281                          | Piston, 2nd brake clutch V4A51/R4A51                           | 1   | 99-04 | AE            | 39930-R  |
| B282                          | Spring, spiral (2nd brake clutch) V4A51/R4A51                  | 1   | 99-04 | AE            | 39931-R  |
| C285                          | Hub, 2nd brake clutch w/sun gear V4A51/R4A51                   | 1   | 99-04 | AE            | 39932-R  |
| C286                          | Planetary, overdrive (3-21T gears) V4A51/R4A51 (no-groove)     | 1   | 99-04 | AE            | 39933-R  |
| C288                          | Gear, output planetary ring (70T) outer sprag race (no-groove) | 1   | 99-04 | AE            | 39935-R  |
| C289                          | Gear, output planetary sun (38T) V4A51/R4A51 (no-groove)       | 1   | 99-04 | AE            | 39936-R  |
| C290                          | Planetary, output (4-17T gears) V4A51/R4A51 (3-grooves)        | 1   | 99-04 | AE            | 39937-R  |
| C292                          | Retainer, low sprag V4A51/R4A51                                | 1   | 99-04 | AE            | 39940-R  |
| C294                          | Spacer, low/reverse clutch (cushion) V4A51/R4A51               | 1   | 99-04 | AE            | 39941-R  |
| C296                          | Race, inner sprag V4A51/R4A51                                  | 1   | 99-04 | AE            | 39942-R  |
| C297                          | Retainer, low/reverse clutch V4A51/R4A51                       | 1   | 99-04 | AE            | 39943-R  |
| C298                          | Spring, spiral (low/reverse clutch) V4A51/R4A51                | 1   | 99-04 | AE            | 39944-R  |
| C299                          | Piston, low/reverse clutch V4A51/R4A51                         | 1   | 99-04 | AE            | 39945-R  |
| C301                          | Support, center V4A51/R4A51                                    | 1   | 99-04 | AE            | 39946-R  |
| D303                          | Hub, output V4A51/R4A51  | 1   | 99-04 | AE            | 39947-R  |
| D304                          | Hub, underdrive clutch V4A51/R4A51                             | 1   | 99-04 | AE            | 39949-R  |
| D306                          | Retainer, underdrive clutch (balance) V4A51/R4A51              | 1   | 99-04 | AE            | 39950-R  |
| D307                          | Retainer, w/springs (underdrive clutch) V4A51/R4A51            | 1   | 99-04 | AE            | 39951-R  |
| D308                          | Piston, underdrive clutch V4A51/R4A51                          | 1   | 99-04 | AE            | 39952-R  |
| D309                          | Housing, underdrive clutch V4A51/R4A51                         | 1   | 99-04 | AE            | 39953-R  |
| D312                          | Shaft, output (2WD) V4A51/R4A51                                | 1   | 99-04 | AE            | 39954-R  |
| D312                          | Shaft, output (4WD) V4A51/R4A51                                | 1   | 99-04 | AE            | 39954A-R |
| E330                          | Housing, front (top holes 3.500" apart) starter at 4/8:00      | 1   | 99-04 | 500911        | 39970-R  |
| E332                          | Case, main V4A51/R4A51   | 1   | 99-04 | R4A51/V5A51   | 39972-R  |
| E334                          | Support, rear (w/bushing) V4A51/R4A51                          | 1   | 99-04 | AE            | 39974-R  |
| E335                          | Gear, park V4A51/R4A51   | 1   | 99-04 | AE            | 39975-R  |
| E337                          | Pin, park pawl V4A51/R4A51                                     | 1   | 99-04 | AE            | 39977-R  |
| E338                          | Pawl, park V4A51/R4A51   | 1   | 99-04 | AE            | 39978-R  |
| E339                          | Spring, park pawl V4A51/R4A51                                  | 1   | 99-04 | AE            | 39979-R  |
| E340                          | Guide, park rod V4A51/R4A51                                    | 1   | 99-04 | AE            | 39980-R  |





DECIMAL & MILLIMETER EQUIVALENTS

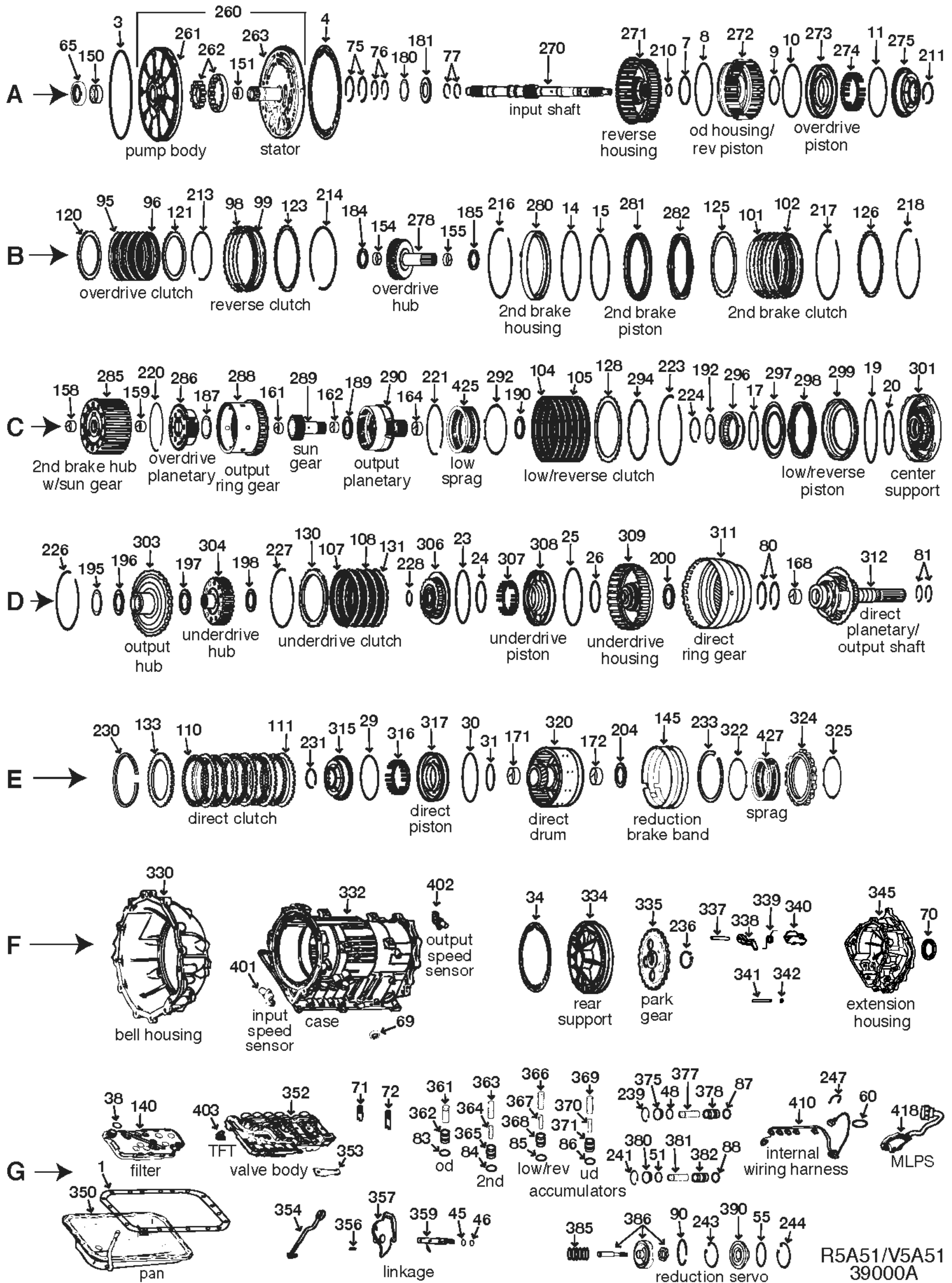
| FRACTION   | DECIMAL      | MILLIMETER    | FRACTION   | DECIMAL      | MILLIMETER    |
|------------|--------------|---------------|------------|--------------|---------------|
| 1/64       | 0.015625     | 0.397         | 33/64      | .515625      | 13.097        |
| 1/32       | .03125       | 0.794         | 17/32      | .53125       | 13.494        |
| 3/64       | .046875      | 1.191         | 25/64      | .546875      | 13.891        |
| 1/16       | .0625        | 1.588         | 9/16       | .5625        | 14.288        |
| 5/64       | .078125      | 1.984         | 37/64      | .578125      | 14.684        |
| 3/32       | .09375       | 2.381         | 19/32      | .59375       | 15.081        |
| 7/64       | .109375      | 2.778         | 39/64      | .609375      | 15.478        |
| <b>1/8</b> | <b>.1250</b> | <b>3.175</b>  | <b>5/8</b> | <b>.6250</b> | <b>15.875</b> |
| 9/64       | .140625      | 3.572         | 41/64      | .640625      | 16.272        |
| 5/32       | .15625       | 3.969         | 21/32      | .65625       | 16.669        |
| 11/64      | .171875      | 4.366         | 43/64      | .671875      | 17.066        |
| 3/16       | .1875        | 4.763         | 11/16      | .6875        | 17.463        |
| 13/64      | .203125      | 5.159         | 45/64      | .703125      | 17.859        |
| 7/32       | .21875       | 5.556         | 23/32      | .71875       | 18.256        |
| 15/64      | .234375      | 5.593         | 47/64      | .734375      | 18.653        |
| <b>1/4</b> | <b>.2500</b> | <b>6.350</b>  | <b>3/4</b> | <b>.7500</b> | <b>19.050</b> |
| 17/64      | .265625      | 6.747         | 49/64      | .765625      | 19.447        |
| 9/32       | .28125       | 7.144         | 25/32      | .78125       | 19.844        |
| 19/64      | .296875      | 7.541         | 51/64      | .796875      | 20.241        |
| 5/16       | .3125        | 7.938         | 13/16      | .8125        | 20.638        |
| 21/64      | .328125      | 8.334         | 53/64      | .828125      | 21.034        |
| 11/32      | .34375       | 8.731         | 27/32      | .84375       | 21.431        |
| 23/64      | .359375      | 9.128         | 55/64      | .859375      | 21.828        |
| <b>3/8</b> | <b>.3750</b> | <b>9.525</b>  | <b>7/8</b> | <b>.8750</b> | <b>22.225</b> |
| 25/64      | .390625      | 9.922         | 57/64      | .890625      | 22.622        |
| 13/32      | .40625       | 10.319        | 29/32      | .90625       | 23.019        |
| 27/64      | .421875      | 10.716        | 59/64      | .921875      | 23.416        |
| 7/16       | .4375        | 11.113        | 15/16      | .9375        | 23.813        |
| 29/64      | .453125      | 11.509        | 61/64      | .953125      | 24.209        |
| 15/32      | .46875       | 11.906        | 31/32      | .96875       | 24.606        |
| 31/64      | .484375      | 12.303        | 63/64      | .984375      | 25.003        |
| <b>1/2</b> | <b>.5000</b> | <b>12.700</b> | <b>1</b>   | <b>1.000</b> | <b>25.400</b> |

MILLIMETER TO DECIMAL EQUIVALENCES

| MM | INCHES | MM | INCHES | MM | INCHES | MM | INCHES | MM  | INCHES |
|----|--------|----|--------|----|--------|----|--------|-----|--------|
| .1 | .0039  | 11 | .4331  | 30 | 1.1811 | 49 | 1.9291 | 68  | 2.6772 |
| .2 | .0079  | 12 | .4724  | 31 | 1.2205 | 50 | 1.9685 | 69  | 2.7165 |
| .3 | .0118  | 13 | .5118  | 32 | 1.2598 | 51 | 2.0079 | 70  | 2.7559 |
| .4 | .0157  | 14 | .5512  | 33 | 1.2992 | 52 | 2.0472 | 71  | 2.7953 |
| .5 | .0197  | 15 | .5906  | 34 | 1.3386 | 53 | 2.0866 | 72  | 2.8346 |
| .6 | .0236  | 16 | .6299  | 35 | 1.3780 | 54 | 2.1260 | 73  | 2.8740 |
| .7 | .0276  | 17 | .6693  | 36 | 1.4173 | 55 | 2.1654 | 74  | 2.9134 |
| .8 | .0315  | 18 | .7087  | 37 | 1.4567 | 56 | 2.2047 | 75  | 2.9528 |
| .9 | .0354  | 19 | .7480  | 38 | 1.4961 | 57 | 2.2441 | 76  | 2.9921 |
| 1  | .0394  | 20 | .7874  | 39 | 1.5354 | 58 | 2.2835 | 77  | 3.0315 |
| 2  | .0787  | 21 | .8268  | 40 | 1.5748 | 59 | 2.3228 | 78  | 3.0709 |
| 3  | .1181  | 22 | .8661  | 41 | 1.6142 | 60 | 2.3622 | 79  | 3.1102 |
| 4  | .1575  | 23 | .9055  | 42 | 1.6535 | 61 | 2.4016 | 80  | 3.1496 |
| 5  | .1969  | 24 | .9449  | 43 | 1.6929 | 62 | 2.4409 | 81  | 3.1890 |
| 6  | .2362  | 25 | .9843  | 44 | 1.7323 | 63 | 2.4803 | 82  | 3.2283 |
| 7  | .2756  | 26 | 1.0236 | 45 | 1.7717 | 64 | 2.5197 | 83  | 3.2677 |
| 8  | .3150  | 27 | 1.0630 | 46 | 1.8110 | 65 | 2.5591 | 84  | 3.3071 |
| 9  | .3543  | 28 | 1.1024 | 47 | 1.8504 | 66 | 2.5984 | 85  | 3.3465 |
| 10 | .3937  | 29 | 1.1417 | 48 | 1.8898 | 67 | 2.6378 | 86  | 3.3858 |
|    |        |    |        |    |        |    |        | 87  | 3.4252 |
|    |        |    |        |    |        |    |        | 88  | 3.4646 |
|    |        |    |        |    |        |    |        | 89  | 3.5039 |
|    |        |    |        |    |        |    |        | 90  | 3.5433 |
|    |        |    |        |    |        |    |        | 91  | 3.5827 |
|    |        |    |        |    |        |    |        | 92  | 3.6220 |
|    |        |    |        |    |        |    |        | 93  | 3.6614 |
|    |        |    |        |    |        |    |        | 94  | 3.7008 |
|    |        |    |        |    |        |    |        | 95  | 3.7402 |
|    |        |    |        |    |        |    |        | 96  | 3.7795 |
|    |        |    |        |    |        |    |        | 97  | 3.8189 |
|    |        |    |        |    |        |    |        | 98  | 3.8583 |
|    |        |    |        |    |        |    |        | 99  | 3.8976 |
|    |        |    |        |    |        |    |        | 100 | 3.9370 |

COPYRIGHT © 2011 AUTRY ENTERPRISES LTD.





R5A51/V5A51  
39000A

| ILL                                  | DESCRIPTION                          |                            | QTY | YEAR  | REFERENCE #    | PART #    |
|--------------------------------------|--------------------------------------|----------------------------|-----|-------|----------------|-----------|
| <b>TECHNICAL MANUALS</b>             |                                      |                            |     |       |                |           |
| K53                                  | Tech manual V4A51/R4A51 dis/assembly | diagnosis/troubleshooting  | 1   | 01-06 | R/V4A51/V5A51  | 010-459   |
| <b>REBUILDER KITS</b>                |                                      |                            |     |       |                |           |
| K5                                   | Master kit w/steels                  | V5A51/R5A51                | 1   | 01-06 | AE             | K3900A    |
| K6                                   | Master kit w/o steels                | V5A51/R5A51                | 1   | 01-06 | AE             | K3900A-LS |
| K7                                   | O/H gasket set w/seals-rings         | V5A51/R5A51                | 1   | 01-06 | AE             | K39900    |
| <b>VALVE BODY KITS</b>               |                                      |                            |     |       |                |           |
| K15                                  | Kit, valve body repair               | V5A51/R5A51                | 1   | 01-06 | n/a            | K39908    |
| <b>GASKETS AND RUBBER COMPONENTS</b> |                                      |                            |     |       |                |           |
| G1                                   | Gasket, oil pan                      | Duraprene®                 | 1   | 01-06 | B11349         | 13013D    |
| A3                                   | O'ring                               | pump to case               | 1   | 01-06 | MR176814       | 1026      |
| A4                                   | Gasket                               | pump to case               | 1   | 01-06 | MR195630       | 3906L     |
| n/i                                  | Gasket                               | valve body (upper)         | 1   | 01-06 | MR430313       | 3907L     |
| n/i                                  | Gasket                               | valve body (lower)         | 1   | 01-06 | MR430314       | 3908L     |
| n/i                                  | Gasket                               | valve body plate           | 1   | 01-06 | MR276853       | 3909L     |
| n/i                                  | O'ring                               | speedo drive gear          | 1   | 01-06 | MD701788       | 13104     |
| n/i                                  | O'ring                               | speedo housing             | 1   | 01-06 | MD520403       | 1028      |
| n/i                                  | O'ring                               | filler tube                | 1   | 01-06 | MD707200       | 13103     |
| n/i                                  | O'ring                               | manual lever shaft (inner) | 1   | 01-06 | MD707200       | 13103     |
| n/i                                  | O'ring                               | manual lever shaft (outer) | 1   | 01-06 | MD726966       | 1031      |
| n/i                                  | O'ring                               | case connector             | 1   | 01-06 | MD622022       | 1020      |
| n/i                                  | O'ring                               | input/output speed sensor  | 2   | 01-06 | MD622021       | 1021      |
| n/i                                  | O'ring                               | oil filter                 | 1   | 01-06 | MD622023       | 1018      |
| <b>METAL CLAD SEALS</b>              |                                      |                            |     |       |                |           |
| A65                                  | Seal, metal clad                     | pump                       | 1   | 01-06 | MD707575       | 63200     |
| F70                                  | Seal, metal clad                     | extension housing (2WD)    | 1   | 01-06 | MR446308       | 46206     |
| F70                                  | Seal, metal clad                     | adapter housing (4WD)      | 1   | 01-06 | MR350599       | 46208     |
| <b>SEALING RINGS</b>                 |                                      |                            |     |       |                |           |
| K10                                  | Kit, sealing ring                    | V5A51/R5A51                | 1   | 01-06 | 3441           | K39300    |
| A75                                  | Ring, sealing 64.5mm                 | pump (large)               | 2   | 01-06 | MD76017        | 39301     |
| A76                                  | Ring, sealing 53.5mm                 | pump (small)               | 2   | 01-06 | MD760146       | 39302     |
| A77                                  | Ring, sealing (teflon) 26mm          | input shaft                | 2   | 01-06 | MD722551       | 63313T    |
| D80                                  | Ring, sealing                        | output shaft (front)       | 2   | 01-06 | MR246865       | 39307     |
| D81                                  | Ring, sealing (metal) 35.3mm         | output shaft (rear)        | 1   | 01-06 | MD707520       | 63301     |
| G83                                  | Ring, sealing                        | accumulator                | 6   | 01-06 | MR336747       | 39305     |
| G90                                  | Ring, sealing                        | servo                      | 1   | 01-06 | MD758998       | 39304     |
| n/i                                  | Ring, sealing                        | dampening valve            | 1   | 01-06 | MD757761       | 39309     |
| n/i                                  | Ring, sealing                        | direct clutch              | 2   | 01-06 | MR232183       | 39303     |
| <b>CLUTCH PLATES</b>                 |                                      |                            |     |       |                |           |
| B95                                  | Steel .099" 4.850" id 20T            | overdrive clutch           | 3   | 01-06 | APC-124709     | 63127     |
| B96                                  | Friction .067" 5.810" od 30T (waved) | overdrive clutch           | 4   | 01-06 | APC-124708     | 63121     |
| B98                                  | Steel .071" 6.031" id 20T            | reverse clutch             | 2   | 01-06 | APC-124705     | 63125     |
| B99                                  | Friction .067" 6.535" od 30T         | reverse clutch             | 2   | 01-06 | APC124704      | 63111     |
| B101                                 | Steel .153" 6.031" id 16T            | 2nd brake clutch           | 4   | 01-06 | APC-124703-390 | 63137     |
| B102                                 | Friction .067" 7.030" od 30T         | 2nd brake clutch           | 4   | 01-06 | APC-124702     | 63113     |
| C104                                 | Friction .067" 7.030" od 30T         | low/reverse clutch         | 5   | 01-06 | APC124706      | 63115     |
| C105                                 | Steel .039" 6.294" id 16T            | low/reverse clutch         | 4   | 01-06 | APC124707      | 63132     |
| D107                                 | Friction .067" 5.827" od 30T (waved) | underdrive clutch          | 4   | 01-06 | APC-124700     | 63119     |
| D108                                 | Steel .071" 4.850" id 20T            | underdrive clutch          | 4   | 01-06 | APC-124701     | 63122     |
| E110                                 | Friction .067" 4.900" od 30T         | direct clutch              | 3/5 | 01-06 | APC-124710-170 | 63117     |
| E111                                 | Steel .099" 3.470" id 20T            | direct clutch              | 3/4 | 01-06 | APC-124711-250 | 63136     |
| n/i                                  | Steel, waved .069" 3.470" id 20T     | direct clutch              | AR  | 01-06 | APC-124711-400 | 63139-R   |



# R5A51•V5A51

R5A51•V5A51

| ILL                                 | DESCRIPTION   | QTY | YEAR  | REFERENCE # | PART #   |
|-------------------------------------|---|-----|-------|-------------|----------|
| <b>PRESSURE PLATES</b>              |   |     |       |             |          |
| B120                                | Pressure plate (apply) overdrive clutch                         | 1   | 01-06 | AE          | 39717A-R |
| B121                                | Pressure plate .236" 6" id 30T overdrive clutch                 | 1   | 01-06 | AE          | 39717-R  |
| B123                                | Pressure plate reverse clutch                                   | 1   | 01-06 | AE          | 39716-R  |
| B125                                | Pressure plate .063" 5.900" id 16T 2nd brake clutch (apply)     | sel | 01-06 | MR336390    | 39718-R  |
| B125                                | Pressure plate .071" 5.900" id 16T 2nd brake clutch (apply)     | sel | 01-06 | MR336391    | 39718A-R |
| B125                                | Pressure plate .078" 5.900" id 16T 2nd brake clutch (apply)     | sel | 01-06 | MR336392    | 39718B-R |
| B125                                | Pressure plate .087" 5.900" id 16T 2nd brake clutch (apply)     | sel | 01-06 | MR336393    | 39718C-R |
| B125                                | Pressure plate .094" 5.900" id 16T 2nd brake clutch (apply)     | sel | 01-06 | MR336394    | 39718D-R |
| B125                                | Pressure plate .102" 5.900" id 16T 2nd brake clutch (apply)     | sel | 01-06 | MR336395    | 39718E-R |
| B125                                | Pressure plate .110" 5.900" id 16T 2nd brake clutch (apply)     | sel | 01-06 | MR336396    | 39718F-R |
| B125                                | Pressure plate .118" 5.900" id 16T 2nd brake clutch (apply)     | sel | 01-06 | MR336397    | 39718G-R |
| B126                                | Pressure plate .233" 5.900" id 16T 2nd brake/low reverse clutch | 1   | 01-06 | MR246249    | 39715-R  |
| B128                                | Pressure plate (apply) low/reverse clutch                       | 1   | 01-06 | MD759568    | 39720-R  |
| D130                                | Pressure plate .157" underdrive clutch                          | 1   | 01-06 | AE          | 39721-R  |
| D131                                | Pressure plate (apply) underdrive clutch                        | 1   | 01-06 | AE          | 39714-R  |
| E133                                | Pressure plate direct clutch                                    | 1   | 01-06 | AE          | 39722-R  |
| <b>FILTERS</b>                      |   |     |       |             |          |
| K9                                  | Kit, filter (shallow pan) V5A51/R5A51                           | 1   | 01-06 | AE          | DK39800  |
| K9                                  | Kit, filter (deep pan) V5A51/R5A51                              | 1   | 01-06 | AE          | DK39800A |
| G140                                | Filter (shallow pan) V5A51/R5A51                                | 1   | 01-06 | MR357710    | 39800    |
| G140                                | Filter (deep pan) V5A51/R5A51                                   | 1   | 01-06 | MR528836    | 39800A   |
| <b>BANDS</b>                        |   |     |       |             |          |
| E145                                | Band, double wrap reduction brake                               | 1   | 01-06 | MD-762016   | 39700    |
| <b>BUSHINGS</b>                     |   |     |       |             |          |
| K12                                 | Kit, bushing V5A51/R5A51  | 1   | 01-06 | AE          | K39901A  |
| A150                                | Bushing pump body   | 1   | 01-06 | n/a         | 63001    |
| A151                                | Bushing pump support (front)                                    | 1   | 01-06 | n/a         | 39002    |
| B154                                | Bushing overdrive clutch hub (front)                            | 1   | 01-06 | n/a         | 39004    |
| B155                                | Bushing overdrive clutch hub (rear)                             | 1   | 01-06 | n/a         | 39004    |
| C158                                | Bushing 2nd brake clutch hub (front)                            | 1   | 01-06 | n/a         | 39005    |
| C159                                | Bushing 2nd brake clutch hub (rear)                             | 1   | 01-06 | n/a         | 39005    |
| C161                                | Bushing underdrive sun gear (front)                             | 1   | 01-06 | n/a         | 39006    |
| C162                                | Bushing underdrive sun gear (rear)                              | 1   | 01-06 | n/a         | 39006    |
| C164                                | Bushing output planetary (rear)                                 | 1   | 01-06 | n/a         | 39008    |
| D168                                | Bushing output shaft (front)                                    | 1   | 01-06 | n/a         | 39010    |
| E171                                | Bushing direct clutch drum (front)                              | 1   | 01-06 | n/a         | 39014    |
| E172                                | Bushing direct clutch drum (rear)                               | 1   | 01-06 | n/a         | 39014    |
| n/i                                 | Bushing case (rear)   | 1   | 01-06 | n/a         | 39015    |
| <b>WASHERS/BEARINGS/RACES/SHIMS</b> |   |     |       |             |          |
| K13                                 | Kit, thrust bearing V5A51/R5A51                                 | 1   | 01-06 | AE          | K39906A  |
| A180                                | Race, thrust pump support to bearing                            | 1   | 01-06 | n/a         | 39401    |
| A181                                | Bearing, thrust pump support to reverse housing                 | 1   | 01-06 | n/a         | 39402    |
| B184                                | Bearing, thrust overdrive clutch hub to reverse housing         | 1   | 01-06 | n/a         | 39405    |
| B185                                | Bearing, thrust overdrive clutch hub to 2nd brake hub           | 1   | 01-06 | n/a         | 39407    |
| C187                                | Bearing, thrust overdrive planetary to sun gear                 | 1   | 01-06 | n/a         | 39409    |
| C189                                | Bearing, thrust sun gear to output planetary                    | 1   | 01-06 | n/a         | 39410    |
| C190                                | Bearing, thrust output planetary to output hub                  | 1   | 01-06 | n/a         | 39411    |
| C192                                | Bearing, thrust inner sprag race                                | 1   | 01-06 | n/a         | 39412    |
| D195                                | Race, thrust center support to bearing                          | 1   | 01-06 | n/a         | 39413    |
| D196                                | Bearing, thrust center support to output hub                    | 1   | 01-06 | n/a         | 39414    |
| D197                                | Bearing, thrust underdrive hub to output hub                    | 1   | 01-06 | n/a         | 39415    |
| D198                                | Bearing, thrust underdrive hub to underdrive housing            | 1   | 01-06 | n/a         | 39416    |
| D200                                | Bearing, thrust underdrive housing to output shaft              | 1   | 01-06 | n/a         | 39420    |

| ILL   | DESCRIPTION                              | QTY | YEAR  | REFERENCE #   | PART #   |
|---|--|-----|-------|---------------|----------|
| <b>WASHERS/BEARINGS/RACES/SHIMS (CONTINUED)</b> |  |     |       |               |          |
| E204  | Bearing, thrust                          | 1   | 01-06 | na            | 39425    |
| <b>SNAP RINGS</b>                               |  |     |       |               |          |
| A210  | Snap ring                                | 1   | 01-06 | AE            | 39606-R  |
| A211  | Snap ring                                | 1   | 01-06 | AE            | 39603-R  |
| B213  | Snap ring                                | 1   | 01-06 | AE            | 39605-R  |
| B214  | Snap ring                                | 1   | 01-06 | AE            | 39607-R  |
| B216  | Snap ring                                | 1   | 01-06 | AE            | 39609-R  |
| B217  | Snap ring                                | 1   | 01-06 | AE            | 39611-R  |
| B218  | Snap ring                                | 1   | 01-06 | AE            | 39612-R  |
| C220  | Snap ring                                | 1   | 01-06 | AE            | 39615-R  |
| C221  | Snap ring                                | 1   | 01-06 | AE            | 39617-R  |
| C223  | Snap ring                                | 1   | 01-09 | AE            | 39618-R  |
| C224  | Snap ring                                | 1   | 01-06 | AE            | 39620-R  |
| D226  | Snap ring                                | 1   | 01-06 | AE            | 39622-R  |
| D227  | Snap ring                                | 1   | 01-06 | AE            | 39623-R  |
| D228  | Snap ring                                | 1   | 01-06 | AE            | 39625-R  |
| E230  | Snap ring                                | 1   | 01-06 | AE            | 39627-R  |
| E231  | Snap ring                                | 1   | 01-06 | AE            | 39629-R  |
| E233  | Snap ring                                | 1   | 01-06 | AE            | 39630-R  |
| C236  | Snap ring                                | 1   | 01-06 | AE            | 39632-R  |
| <b>PUMP PARTS AND PUMPS</b>                     |  |     |       |               |          |
| A260  | Pump, complete                           | 1   | 01-06 | MR246336      | 39200-R  |
| A260  | Pump, complete                           | 1   | 01-06 | AE            | 39200A-R |
| A261  | Body, pump (aluminum)                    | 1   | 01-06 | casting #664  | 39300-R  |
| A261  | Body, pump (aluminum)                    | 1   | 01-06 | casting #337B | 39300A-R |
| A262  | Gears, pump                              | 1   | 01-06 | n/a           | K39201   |
| A263  | Support, pump                            | 1   | 01-06 | AE            | 39400-R  |
| <b>HARD PARTS</b>                               |  |     |       |               |          |
| A270  | Shaft, input (14.675" length)            | 1   | 01-06 | AE            | 39920-R  |
| A271  | Housing, reverse clutch                  | 1   | 01-06 | AE            | 39921-R  |
| A272  | Piston, reverse clutch/overdrive housing | 1   | 01-06 | AE            | 39923-R  |
| A273  | Piston, overdrive clutch                 | 1   | 01-06 | AE            | 39924-R  |
| A274  | Retainer, w/springs                      | 1   | 01-06 | AE            | 39925-R  |
| A275  | Piston, balance (retainer)               | 1   | 01-06 | AE            | 39926-R  |
| B278  | Hub, overdrive clutch                    | 1   | 01-06 | AE            | 39927-R  |
| B280  | Housing, 2nd brake clutch piston         | 1   | 01-06 | AE            | 39929-R  |
| B281  | Piston, 2nd brake clutch                 | 1   | 01-06 | AE            | 39930-R  |
| B282  | Spring, spiral (2nd brake clutch)        | 1   | 01-06 | AE            | 39931-R  |
| C285  | Hub, 2nd brake clutch w/sun gear         | 1   | 01-06 | AE            | 39932-R  |
| C286  | Planetary, overdrive (3-21T gears)       | 1   | 01-06 | AE            | 39933-R  |
| C288  | Gear, output planetary ring (70T)        | 1   | 01-06 | AE            | 39935-R  |
| C289  | Gear, output planetary sun (42T)         | 1   | 01-06 | AE            | 39936A-R |
| C290  | Planetary, output (4-15T gears)          | 1   | 01-06 | AE            | 39937A-R |
| C292  | Retainer, low sprag                      | 1   | 01-06 | AE            | 39940-R  |
| C294  | Spacer, low/reverse clutch (cushion)     | 1   | 01-06 | AE            | 39941-R  |
| C296  | Race, inner sprag                        | 1   | 01-06 | AE            | 39942-R  |
| C297  | Retainer, low/reverse clutch             | 1   | 01-06 | AE            | 39943-R  |
| C298  | Spring, spiral (low/reverse clutch)      | 1   | 01-06 | AE            | 39944-R  |
| C299  | Piston, low/reverse clutch               | 1   | 01-06 | AE            | 39945-R  |
| C301  | Support, center                          | 1   | 01-06 | AE            | 39946-R  |
| D303  | Hub, output                              | 1   | 01-06 | AE            | 39947-R  |
| D304  | Hub, underdrive clutch                   | 1   | 01-06 | AE            | 39949-R  |
| D306  | Retainer, underdrive clutch (balance)    | 1   | 01-06 | AE            | 39950-R  |





## Automatic Transmission Parts Replacement Catalog

### Limited Warranty

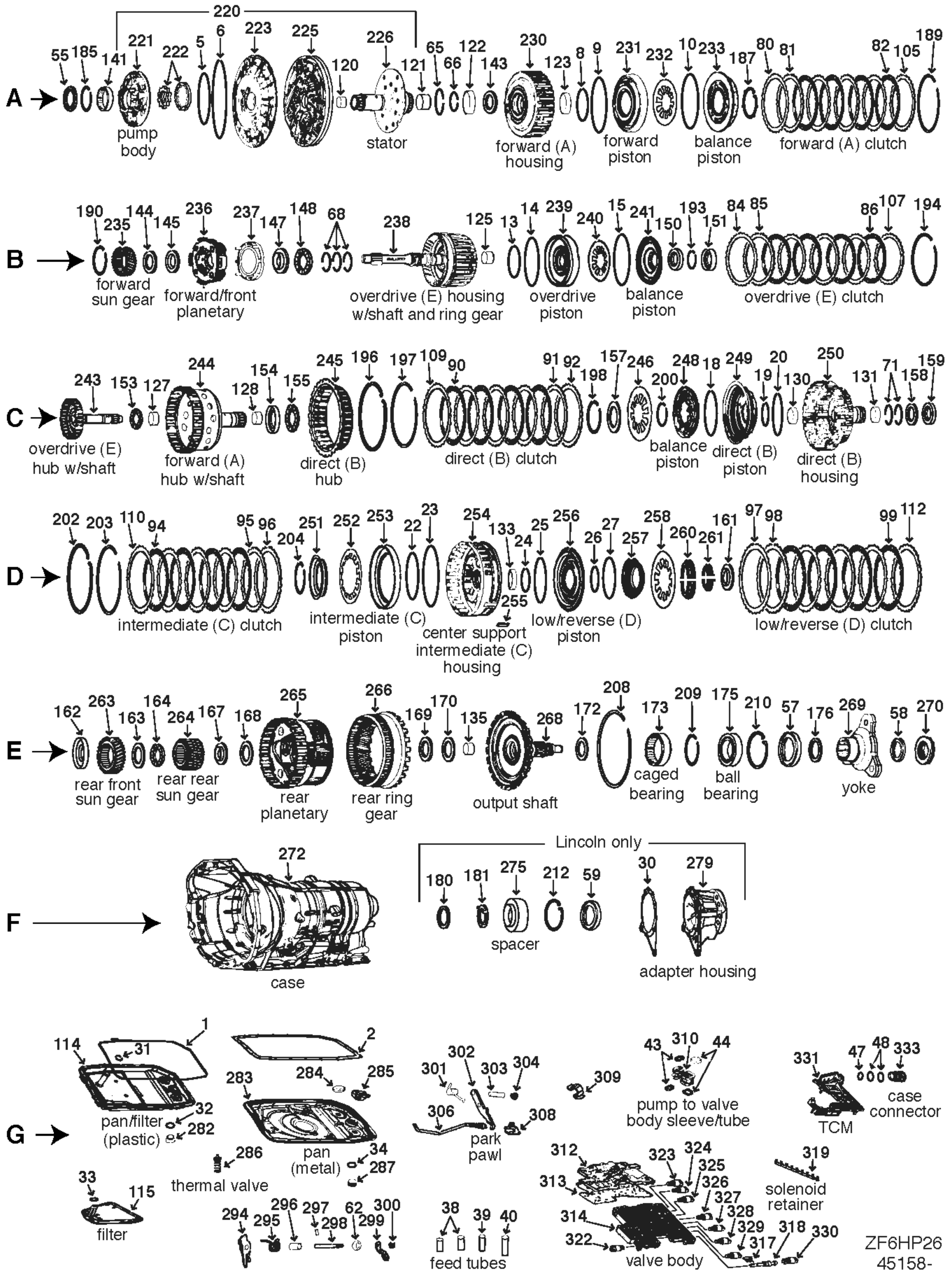
All products supplied are guaranteed to be free from manufacturing defects for 1 year or 12,000 miles, whichever comes first. Any and all parts claimed to be defective must be returned freight prepaid for inspection. Warranty is limited to the replacement of parts only. We will not honor claims for labor or other damages that may occur.

This warranty does not apply to any product that has been misused, altered in any way, or subjected to excessive operating conditions beyond the manufacturer's control, specifications, or instructions. All returns must have prior company approval and authorization.

### Important Notice

While the utmost care has been used in compiling reliable information in this catalog, we cannot assume any responsibility for errors, omissions, the inaccuracy of data or misapplications supplied to us. All parts shown within are intended for replacement purposes only. The use of original equipment manufacturer's part number and terminology is solely for the purpose of clarification and to help simplify selection for the proper replacement part.





| ILL                                  | DESCRIPTION                             |                                    | QTY | YEAR  | REFERENCE #    | PART #      |
|--------------------------------------|---|------------------------------------|-----|-------|----------------|-------------|
| <b>TECHNICAL MANUALS</b>             |   |                                    |     |       |                |             |
| K53                                  | Tech manual 6R60/ZF6HP26 dis/assembly   | diagnosis & troubleshooting        | 1   | 02-11 | ZF6HP26TM      | 010-232     |
| <b>REBUILDER KITS</b>                |   |                                    |     |       |                |             |
| K5                                   | Master kit w/steels                     | w/o bonded separator plate         | 1   | 02-11 | AE             | 45158-11104 |
| K6                                   | Master kit w/o steels                   | w/o bonded separator plate         | 1   | 02-11 | AE             | 45158-12104 |
| K7                                   | O/H gasket set w/seals-rings            | w/o bonded separator plate         | 1   | 02-11 | FDB-2496       | 45158-13104 |
| <b>VALVE BODY KITS</b>               |   |                                    |     |       |                |             |
| K15                                  | Kit, valve body repair                  | ZF6HP26                            | 1   | 04-11 | n/a            | 15158-17009 |
| K15                                  | Kit, valve body repair                  | ZF6HP26                            | 1   | 04-11 | n/a            | 15158-17005 |
| <b>GASKETS AND RUBBER COMPONENTS</b> |   |                                    |     |       |                |             |
| G1                                   | Gasket, oil pan                         | molded rubber for plastic pan      | 1   | 01-10 | 0501-323-155   | 45158-20104 |
| G2                                   | Gasket, oil pan (w/molded rubber edge)  | ZF6HP26                            | 1   | 02-11 | FDB-B33324     | 15158-20104 |
| A5                                   | O'ring                                  | pump body                          | 1   | 02-11 | MGW-86154      | 15158-21004 |
| A6                                   | O'ring                                  | pump plate                         | 1   | 02-11 | 6L2Z-7A248-CA  | 15158-21204 |
| G38                                  | Seal, rubber tube 1.000" length         | intermediate housing to valve body | 2   | 02-11 | n/a            | 15158-23504 |
| G39                                  | Seal, rubber tube 1.212" length         | intermediate housing to valve body | 1   | 02-11 | n/a            | 15158-23604 |
| G40                                  | Seal, rubber tube 1.565" length         | intermediate housing to valve body | 1   | 02-11 | n/a            | 15158-23704 |
| G43                                  | Seal, rubber (small)                    | VB to sleeve/tube (plastic) to ump | 2   | 02-11 | FDB-B33328     | 15158-23804 |
| G44                                  | Seal, rubber (large)                    | VB to sleeve/tube (plastic) to ump | 2   | 02-11 | FDB-B33327     | 15158-23904 |
| G47                                  | O'ring                                  | electrical connector to valve body | 1   | 02-11 | n/a            | 15158-24104 |
| G48                                  | O'ring                                  | electrical connector to case       | 2   | 02-11 | FDB-B16216     | 15158-24204 |
| n/i                                  | Washer, pump bolt (rubber inner)        | ZF6HP26A                           | 14  | 02-11 | n/a            | 15158-21104 |
| <b>METAL CLAD SEALS</b>              |   |                                    |     |       |                |             |
| A55                                  | Seal, metal clad                        | front                              | 1   | 02-11 | 6L2Z-7A248-AA  | 15158-30004 |
| E57                                  | Seal, metal clad                        | extension housing (2WD)            | 1   | 02-08 | 6L2Z-7052-AA   | 15158-30104 |
| E57                                  | Seal, metal clad                        | extension housing (2WD)            | 1   | 08-11 | 9L3Z-7052-A    | 15158-30114 |
| E58                                  | Seal, rubber                            | yoke (2WD)                         | 1   | 02-11 | 6L2Z-7052-A    | 15158-30804 |
| G62                                  | Seal, metal clad                        | shift shaft                        | 1   | 02-11 | 6L2Z-7B498-AA  | 15158-30604 |
| <b>SEALING RINGS</b>                 |   |                                    |     |       |                |             |
| K10                                  | Kit, sealing ring                       | ZF6HP26                            | 1   | 02-11 | FDB-3501       | 15158-31504 |
| A65                                  | Ring, sealing (metal)                   | pump stator                        | 1   | 02-11 | 6L2Z-7D019-AA  | 15158-32004 |
| A66                                  | Ring, sealing (metal)                   | pump stator                        | 1   | 02-11 | 6L2Z-7L323-AA  | 15158-32304 |
| B68                                  | Ring, sealing (plastic)                 | turbine shaft (overdrive housing)  | 3   | 02-11 | n/a            | 15158-33204 |
| B68                                  | Ring, sealing (teflon)                  | turbine shaft (overdrive housing)  | 2   | 02-11 | 6L2Z-7G091-DA  | 15158-33304 |
| C71                                  | Ring, sealing (teflon)                  | direct clutch housing              | 2   | 02-11 | 6L2Z-7D020-CA  | 15158-33504 |
| <b>CLUTCH PLATES</b>                 |   |                                    |     |       |                |             |
| A80                                  | Steel .035" 6.450" id 30T (waved plate) | (A) forward clutch                 | 1   | 02-11 | n/a            | 15158-37704 |
| A81                                  | Steel .118" 6.450" id 30T               | (A) forward clutch                 | 4/5 | 02-11 | 1068-377-020   | 15158-37504 |
| A81                                  | Steel .105" 6.450" id 30T               | (A) forward clutch                 | sel | 02-11 | 1068-377-023   | 15158-38304 |
| A81                                  | Steel .130" 6.450" id 30T               | (A) forward clutch                 | sel | 02-11 | 1068-377-024   | 15158-38404 |
| A81                                  | Steel .142" 6.450" id 30T               | (A) forward clutch                 | sel | 02-11 | 1068-377-025   | 15158-38504 |
| A82                                  | Friction .063" 7.370" od 30T            | (A) forward clutch                 | 4/5 | 02-11 | 1068-277-004   | 15158-35204 |
| B84                                  | Steel .030" 4.200" id 24T (waved plate) | (E) overdrive clutch               | 1   | 02-11 | n/a            | 15158-37804 |
| B85                                  | Steel .118" 4.200" id 24T               | (E) overdrive clutch               | 6/7 | 02-11 | 1068-371-030   | 15158-38004 |
| B85                                  | Steel .095" 4.200" id 24T               | (E) overdrive clutch (some models) | 6/7 | 02-11 | APC-183703-240 | 15158-38104 |
| B86                                  | Friction .063" 5.150" od 30T            | (E) overdrive clutch               | 6   | 02-11 | n/a            | 15158-35604 |
| B86                                  | Friction .079" 5.150" od 30T            | (E) overdrive clutch               | sel | 02-11 | APC-183702-200 | 15158-35704 |
| C90                                  | Friction .087" 7.370" od 30T            | (B) direct clutch                  | 4/5 | 02-11 | 1068-277-002   | 15158-35304 |
| C91                                  | Steel .082" 6.450" id 30T               | (B) direct clutch                  | 4/5 | 01-11 | 1068-377-019   | 15158-37604 |
| C92                                  | Steel .035" 6.450" id 30T (waved plate) | (B) direct clutch                  | 1   | 02-11 | n/a            | 15158-37704 |
| D94                                  | Friction .087" 7.370" od 30T            | (C) intermediate clutch            | 4/5 | 02-11 | 1068-277-002   | 15158-35304 |
| D95                                  | Steel .118" 6.450" id 30T               | (C) intermediate clutch            | 4/5 | 02-11 | 1068-377-020   | 15158-37504 |
| D96                                  | Steel .035" 6.450" id 30T (waved plate) | (C) intermediate clutch            | 1   | 02-11 | n/a            | 15158-37704 |
| D97                                  | Steel .040" 6.450" id 30T (waved plate) | (D) low/reverse clutch             | 1   | 02-11 | n/a            | 15158-37904 |

# ZF6HP26

ZF6HP26

| ILL                                 | DESCRIPTION  | QTY | YEAR  | REFERENCE #  | PART #      |
|-------------------------------------|--|-----|-------|--------------|-------------|
| <b>CLUTCH PLATES (CONTINUED)</b>    |  |     |       |              |             |
| D98                                 | Steel .082" 6.450" id 30T (D) low/reverse clutch                         | 6/7 | 02-11 | 1068-377-019 | 15158-37604 |
| D98                                 | Steel .095" 6.450" id 30T (D) low/reverse clutch                         | sel | 02-11 | 1068-377-022 | 15158-38204 |
| D99                                 | Friction .063" 7.370" od 30T (D) low/reverse clutch                      | 6/7 | 02-11 | 1068-277-004 | 15158-35204 |
| <b>PRESSURE PLATES</b>              |  |     |       |              |             |
| A105                                | Pressure plate .105" 6.450" id 30T (A) forward clutch                    | 1   | 02-11 | AE           | 15158-41103 |
| B107                                | Pressure plate .118" 4.200" id 24T/24 tabs (E) overdrive clutch          | 1   | 02-11 | AE           | 15158-41603 |
| C109                                | Pressure plate .152" 6.450" 30T/30 tabs (B) direct clutch                | 1   | 02-11 | AE           | 15158-42003 |
| D110                                | Pressure plate 30T (C) intermediate clutch                               | 1   | 02-11 | AE           | 15158-42203 |
| D112                                | Pressure plate .142" 6.450" 30T (D) low reverse clutch                   | 1   | 02-11 | AE           | 15158-43003 |
| D112                                | Pressure plate .130" 6.450" 30T (D) low reverse clutch                   | sel | 02-11 | AE           | 15158-42303 |
| D112                                | Pressure plate .095" 6.450" 30T (D) low reverse clutch                   | sel | 02-11 | AE           | 15158-42503 |
| <b>FILTERS</b>                      |  |     |       |              |             |
| G114                                | Filter, oil screen/pan assembly plastic pan w/filter made in it          | 1   | 97-04 | 0501-216-243 | 45158-45004 |
| G115                                | Filter (6 sided not equal) ZF6HP26                                       | 1   | 01-10 | 0501-213-359 | 15158-45104 |
| <b>BUSHINGS</b>                     |  |     |       |              |             |
| K12                                 | Kit, bushing ZF6HP26   | 1   | 02-11 | n/a          | 15158-50004 |
| A120                                | Bushing stator (front)   | 1   | 02-11 | n/a          | 15158-50704 |
| A121                                | Bushing stator (rear)  | 1   | 02-11 | n/a          | 15158-50804 |
| A122                                | Bushing forward housing (front)  | 1   | 02-11 | n/a          | 15158-50904 |
| A123                                | Bushing forward housing (rear)   | 1   | 02-11 | n/a          | 15158-51204 |
| B125                                | Bushing overdrive housing (rear)   | 1   | 02-11 | n/a          | 15158-51404 |
| C127                                | Bushing forward hub (front)  | 1   | 02-11 | n/a          | 15158-51604 |
| C128                                | Bushing forward hub (rear)   | 1   | 02-11 | n/a          | 15158-51604 |
| C130                                | Bushing direct housing (front)   | 1   | 02-11 | n/a          | 15158-52204 |
| C131                                | Bushing direct housing (rear)  | 1   | 02-11 | n/a          | 15158-52204 |
| D133                                | Bushing intermediate clutch housing (center)                             | 1   | 02-11 | n/a          | 15158-52304 |
| E135                                | Bushing output shaft (front)   | 1   | 02-11 | n/a          | 15158-52504 |
| <b>WASHERS/BEARINGS/RACES/SHIMS</b> |  |     |       |              |             |
| K12                                 | Kit, thrust bearing ZF6HP26  | 1   | 02-11 | n/a          | 15158-55104 |
| A141                                | Bearing, caged pump body   | 1   | 02-11 | n/a          | 15158-56104 |
| A143                                | Spacer, shim .133" 1.596" id 1.928" od pump stator to front sun gear     | sel | 02-11 | n/a          | 15158-56204 |
| B144                                | Bearing, thrust .161" 1.381" id 2.037" od sun gear to race               | 1   | 02-11 | n/a          | 15158-56504 |
| B145                                | Race, thrust .038" 1.303" id 1.905" od bearing to forward planetary      | 1   | 02-11 | n/a          | 15158-56604 |
| B147                                | Race, thrust .030" 1.367" id 1.904" od forward planetary to bearing      | 1   | 02-11 | n/a          | 15158-57004 |
| B148                                | Bearing, thrust .161" 1.381" id 2.037" od race to overdrive housing      | 1   | 02-11 | n/a          | 15158-56504 |
| B150                                | Washer (retainer) .043" 1.38" id 1.702" od od bal piston to snap ring    | 1   | 02-11 | n/a          | 15158-57504 |
| B151                                | Bearing, thrust .185" .834" id 1.504" od overdrive housing to od hub     | 1   | 02-11 | n/a          | 15158-57804 |
| C153                                | Bearing, thrust .161" 1.381" id 2.037" od overdrive hub to forward hub   | 1   | 02-11 | n/a          | 15158-56504 |
| C154                                | Race .038" 1.441" id 2.209" od forward hub to bearing                    | 1   | 02-11 | n/a          | 15158-58304 |
| C155                                | Bearing, thrust .155" 1.384" id 2.254" od race to direct housing         | 1   | 02-11 | n/a          | 15158-58504 |
| C157                                | Washer (retainer) .080" 1.97" id 2.34" od snap ring to diaphragm spring  | 1   | 02-11 | n/a          | 15158-58804 |
| C158                                | Bearing, thrust .135" 1.930" id 2.628" od direct housing to race         | 1   | 02-11 | n/a          | 15158-59004 |
| C159                                | Race .032" 2.073" id 2.622" od bearing to intermediate housing           | 1   | 02-11 | n/a          | 15158-59204 |
| D161                                | Bearing, thrust .136" 1.860" id 2.670" od intermediate housing to race   | 1   | 02-11 | n/a          | 15158-59604 |
| D162                                | Race .042" 2.003" id 2.819" od bearing to sun gear                       | 1   | 02-11 | n/a          | 15158-59704 |
| E163                                | Race .125" 1.380" id 1.970" od rear (front) sun gear to bearing          | 1   | 02-11 | n/a          | 15158-60104 |
| E164                                | Bearing, thrust .0154" 1.342" id 2.046" od race to rear sun gear         | 1   | 02-11 | n/a          | 15158-60504 |
| E167                                | Bearing, thrust .0154" 1.342" id 2.046" od race to rear sun gear         | 1   | 02-11 | n/a          | 15158-60504 |
| E168                                | Race .038" 1.333" id 1.902" od bearing to rear planetary                 | 1   | 02-11 | n/a          | 15158-60604 |
| E169                                | Bearing, thrust .155" 1.579" id 2.187" od rear planetary to output shaft | 1   | 02-11 | n/a          | 15158-60904 |
| E170                                | Race .038" 1.701" id 2.321" od rear planetary to output shaft            | 1   | 02-11 | n/a          | 15158-61004 |
| E172                                | Washer, spacer .071" 1.549" id 2.160" od output shaft yoke (2WD)         | 1   | 02-11 | sel          | 15158-61204 |
| E173                                | Bearing, caged in rear of case   | 1   | 02-11 | F-233285-1   | 15158-61504 |

| ILL   | DESCRIPTION                                | QTY  | YEAR | REFERENCE # | PART #       |             |
|---|--|--|------|-------------|--------------|-------------|
| <b>WASHERS/BEARINGS/RACES/SHIMS (CONTINUED)</b> |  |  |      |             |              |             |
| F180  | Washer, spacer .071" 1.549" id 2.160" od   | output shaft to bearing                    | 1    | 02-11       | sel          | 15158-61204 |
| F181  | Bearing, thrust .197" 1.565" id 2.315" od  | output shaft to sleeve                     | 1    | 02-11       | n/a          | 15158-62004 |
| <b>SNAP RINGS</b>                               |  |  |      |             |              |             |
| A187  | Snap ring .056" 3.0" od 4 tabs (true-arc)  | fwd balance piston to diaphragm spring     | 1    | 02-11       | AE           | 15158-62303 |
| A189  | Snap ring .155" 7.783" od                  | forward clutch pressure plate              | 1    | 02-11       | AE           | 15158-62503 |
| B190  | Snap ring .038" 2.900" (waved)             | forward hsg to forward/front planetary     | 1    | 02-11       | AE           | 15158-62903 |
| B193  | Snap ring .095" 1.633" od                  | od balance piston retainer to od hsg       | 1    | 02-11       | AE           | 15158-63303 |
| B194  | Snap ring .083" 5.584" od                  | overdrive clutch pressure plate            | 1    | 02-11       | AE           | 15158-63603 |
| C196  | Snap ring .099" 7.750" od                  | direct hub to forward housing              | 1    | 02-11       | AE           | 15158-63803 |
| C197  | Snap ring .138" 7.750" od                  | direct clutch pressure plate               | 1    | 02-11       | AE           | 15158-64203 |
| C198  | Snap ring .056" 2.250" od                  | inside direct balance piston               | 1    | 02-11       | AE           | 15158-64603 |
| C200  | Snap ring .096" 2.130" od                  | direct balance piston to diaphragm spring  | 1    | 02-11       | AE           | 15158-64803 |
| D202  | Snap ring .181" (beveled both sides)       | 8.500" od (intermediate housing to case)   | 1    | 02-11       | AE           | 15158-65103 |
| D203  | Snap ring .123" 7.750" od                  | intermediate clutch pressure plate         | 1    | 02-11       | AE           | 15158-65403 |
| D204  | Snap ring .075" 3.700" od                  | intermediate clutch retainer               | 1    | 02-11       | AE           | 15158-65703 |
| E208  | Snap ring .076" 7.250" od                  | output shaft to rear ring gear             | 1    | 02-11       | AE           | 15158-66003 |
| E209  | Snap ring                                  | caged bearing to ball bearing (2WD)        | 1    | 02-11       | AE           | 15158-66203 |
| E210  | Snap ring .096" (beveled both sides)       | 3.0662" od (ball bearing to case 2WD)      | 1    | 02-11       | AE           | 15158-66503 |
| F212  | Snap ring .096" (beveled both sides)       | 3.0662" od (spacer to case 4WD)            | 1    | 02-11       | AE           | 15158-66503 |
| <b>PUMP PARTS AND PUMPS</b>                     |  |  |      |             |              |             |
| A220  | Pump, assembly (w/o front bushing)         | 1.000" id rear bushing                     | 1    | 02-11       | AE           | 15158-67003 |
| A220  | Pump, assembly (w/o front bushing)         | 1.180" id rear bushing                     | 1    | 02-11       | AE           | 15158-67103 |
| A220  | Plate, pump                                | 1.180" id rear bushing                     | 1    | 02-11       | AE           | 15158-70203 |
| A221  | Pump body w/gears                          | vent hole 1.190" od                        | 1    | 02-11       | AE           | 15158-67503 |
| A221  | Pump body w/gears                          | vent hole .265" od                         | 1    | 02-11       | AE           | 15158-67603 |
| A222  | Gears, pump .550" thickness 3.767" od      | 17T inner gear 21T outer gear              | 1    | 02-11       | n/a          | 15158-68104 |
| A223  | Plate, pump                                | pump body sits in                          | 1    | 02-11       | AE           | 15158-70003 |
| A223  | Plate, pump                                | pump body sits in                          | 1    | 02-11       | AE           | 15158-70103 |
| A223  | Plate, pump                                | pump body sits in                          | 1    | 02-11       | AE           | 15158-70203 |
| A225  | Plate, pump channel                        | between pump plate and stator support      | 1    | 02-11       | AE           | 15158-70503 |
| A225  | Plate, pump channel                        | between pump plate and stator support      | 1    | 02-11       | AE           | 15158-70603 |
| A226  | Support, pump stator (w/o front bushing)   | 1.000" id rear bushing                     | 1    | 02-11       | AE           | 15158-68403 |
| A226  | Support, pump stator (w/o front bushing)   | 1.180" id rear bushing                     | 1    | 02-11       | AE           | 15158-68503 |
| A226  | Support, pump stator (w/front bushing)     | 1.180" id rear bushing                     | 1    | 02-11       | AE           | 15158-68603 |
| <b>HARD PARTS</b>                               |  |  |      |             |              |             |
| A230  | Housing, forward clutch                    | casting #1068-102-358/0247686-1            | 1    | 02-11       | AE           | 15158-72203 |
| A231  | Piston, forward clutch 1.485" oh           | casting #1068-470-044                      | 1    | 02-11       | AE           | 15158-72503 |
| A231  | Piston, forward clutch                     | ZF6HP26                                    | 1    | 02-11       | AE           | 15158-72603 |
| A232  | Spring, diaphragm .082" 10 fingers         | forward clutch (5.633" od)                 | 1    | 02-11       | AE           | 15158-72803 |
| A233  | Piston, forward balance                    | 3 drive slots for 3 pinion planetary       | 1    | 02-11       | AE           | 15158-73003 |
| A233  | Piston, forward clutch (balance)           | 4 drive slots for 4 pinion planetary       | 1    | 02-11       | AE           | 15158-73203 |
| B235  | Gear, sun forward 2.567" od 37T            | 1 id groove                                | 1    | 02-11       | AE           | 15158-73503 |
| B236  | Planetary, forward front 3 pinion gears    | 3 sets 6T drive teeth                      | 1    | 02-11       | AE           | 15158-73703 |
| G236  | Planet, forward front 4 pinion gears 16T   | 4 sets 6T drive teeth                      | 1    | 02-11       | Ae           | 15158-73903 |
| B237  | Slinger, oil dam                           | 4 tabs 4 oil tubes                         | 1    | 02-11       | 1070-332-063 | 15158-74103 |
| B238  | Housing, od (w/turbine shaft ring gear)    | bushing surface by splines 2 sealing rings | 1    | 02-11       | AE           | 15158-74503 |
| B238  | Housing, od (w/turbine shaft ring gear)    | no bushing surface on shaft 3 seal rings   | 1    | 02-11       | AE           | 15158-74603 |
| B239  | Piston, overdrive clutch 1.340" oh         | casting #1068-471-037                      | 1    | 02-11       | AE           | 15158-75003 |
| B240  | Spring, diaphragm .079" 10 fingers         | overdrive clutch (4.489" od)               | 1    | 02-11       | AE           | 15158-75203 |
| B241  | Piston, overdrive balance                  | ZF6HP26                                    | 1    | 02-11       | AE           | 15158-75403 |
| C243  | Hub, overdrive w/shaft                     | ZF6HP26                                    | 1    | 02-11       | AE           | 15158-75603 |
| C243  | Hub, overdrive w/shaft .925" od 29 splines | ZF6HP26                                    | 1    | 02-11       | AE           | 15158-75703 |
| C244  | Hub, forward clutch w/shaft 1.306" od      | 41 splines                                 | 1    | 02-11       | AE           | 15158-75903 |

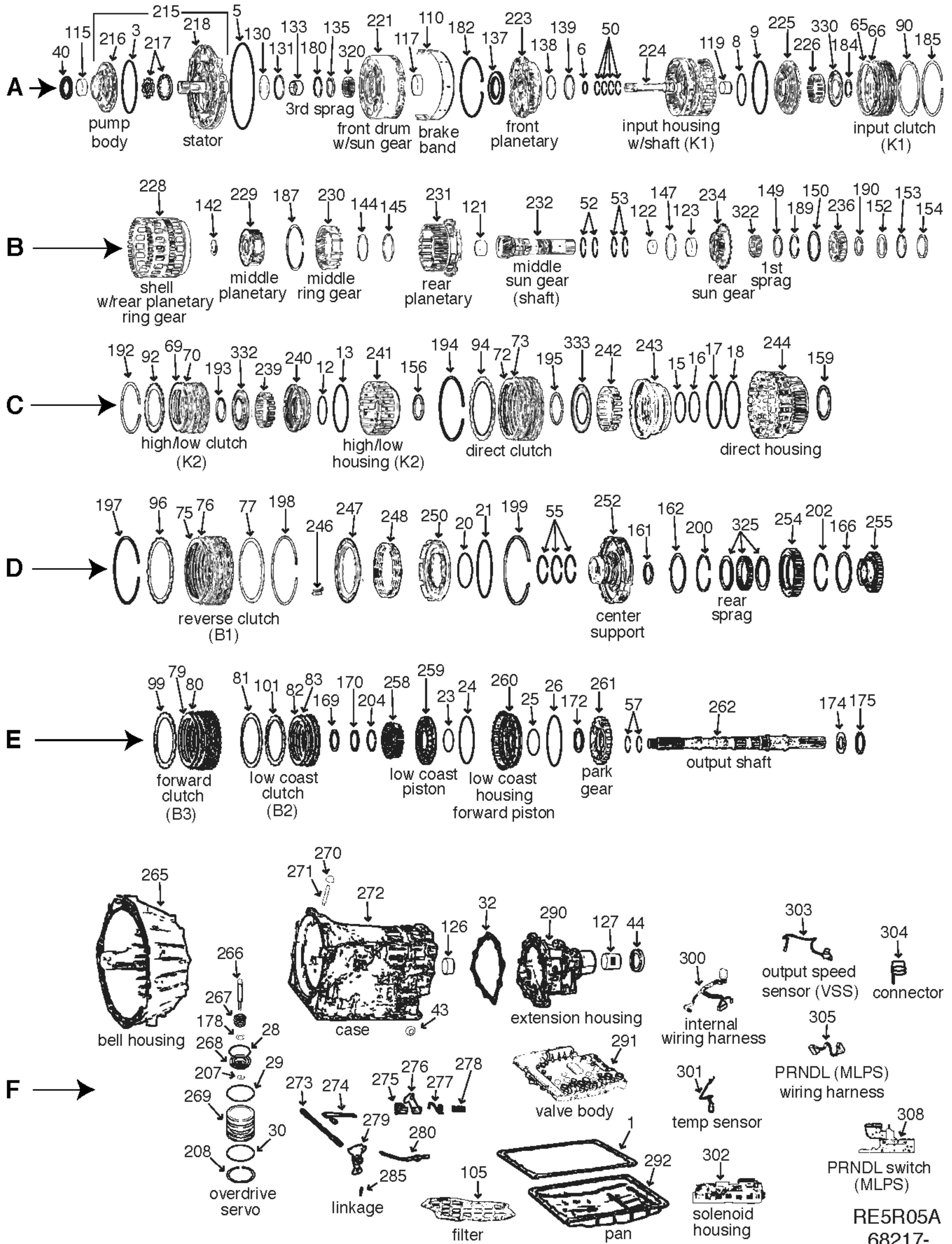


# ZF6HP26

ZF6HP26

| ILL                           | DESCRIPTION                             | QTY                                    | YEAR | REFERENCE # | PART #       |             |
|-------------------------------|---|--|------|-------------|--------------|-------------|
| <b>HARD PARTS (CONTINUED)</b> |   |  |      |             |              |             |
| C245                          | Hub, direct clutch                      | ZF6HP26                                | 1    | 02-11       | AE           | 15158-76103 |
| C246                          | Spring, diaphragm .079" 10 fingers      | 4.865" od                              | 1    | 02-11       | AE           | 15158-76503 |
| C248                          | Piston, balance direct clutch           | casting #1068-472-035                  | 1    | 02-11       | AE           | 15158-76703 |
| C249                          | Piston, direct clutch                   | aluminum w/steel retainer (pressed on) | 1    | 02-11       | AE           | 15158-76903 |
| C250                          | Housing, direct clutch 1.773" od        | 56 splines                             | 1    | 02-11       | AE           | 15158-77203 |
| D251                          | Retainer, intermediate clutch           | ZF6HP26                                | 1    | 02-11       | AE           | 15158-77503 |
| C252                          | Spring, diaphragm .082" 6.948" od       | 12 fingers                             | 1    | 02-11       | AE           | 15158-77803 |
| D253                          | Piston, intermediate clutch .737" oh    | casting #1068-475-014                  | 1    | 02-11       | AE           | 15158-78003 |
| D253                          | Piston, intermediate clutch             | ZF6HP26                                | 1    | 02-11       | AE           | 15158-78203 |
| D254                          | Housing, intermediate clutch            | casting #1068-475-014                  | 1    | 02-11       | AE           | 15158-78503 |
| D254                          | Housing, intermediate clutch            | ZF6HP26                                | 1    | 02-11       | AE           | 15158-78703 |
| D256                          | Piston, low/reverse clutch              | E stamped on it                        | 1    | 02-11       | AE           | 15158-79003 |
| D256                          | Piston, low/reverse clutch              | ZF6HP26                                | 1    | 02-11       | AE           | 15158-79203 |
| D257                          | Piston, balance low/reverse clutch      | casting #1068-473-020                  | 1    | 02-11       | AE           | 15158-79503 |
| D258                          | Spring, diaphragm .063" 12 fingers      | 5.694" od (low/reverse clutch)         | 1    | 02-11       | AE           | 15158-79603 |
| D260                          | Retainer, 2 piece (split type)          | low/reverse (large)                    | 1    | 02-11       | AE           | 15158-79803 |
| D261                          | Retainer, 2 piece (split type w/2 tabs) | low/reverse (small)                    | 1    | 02-11       | AE           | 15158-79903 |
| E263                          | Gear, rear front sun gear 2.877" od 38T | 3 id grooves                           | 1    | 02-11       | AE           | 15158-80103 |
| E264                          | Gear, rear rear sun gear 2.373" od 31T  | bevel to rear                          | 1    | 02-11       | AE           | 15158-80503 |
| E265                          | Planetary, rear 23T on split pinions    | 24T on short pinion gears              | 1    | 02-11       | AE           | 15158-81003 |
| E266                          | Gear, output ring 85T                   | with 40T exciter                       | 1    | 02-11       | AE           | 15158-81503 |
| E268                          | Shaft, output (w/park gear 2WD)         | bolt-on yoke                           | 1    | 02-11       | AE           | 15158-82003 |
| E268                          | Shaft, output direct mount              | w/park gear (AWD)                      | 1    | 02-11       | AE           | 15158-82303 |
| E268                          | Shaft, output direct mount 8.750" oh    | w/park gear 4WD                        | 1    | 02-11       | AE           | 15158-82503 |
| E269                          | Yoke, drive                             | 3 bolt u-joint 2WD                     | 1    | 02-11       | AE           | 15158-82603 |
| E269                          | Yoke, drive                             | 4 bolt u-joint 2WD                     | 1    | 02-11       | AE           | 15158-82703 |
| F275                          | Spacer, aluminum                        | 4WD/AWD                                | 1    | 02-11       | AE           | 15158-82803 |
| G283                          | Pan metal                               | ZF6HP26                                | 1    | 02-11       | AE           | 15158-82904 |
| G288                          | Roll, detent spring                     | ZF6HP26                                | 1    | 02-11       | AE           | 15158-83003 |
| G289                          | Cone, rooster                           | ZF6HP26                                | 1    | 02-11       | AE           | 15158-83103 |
| G290                          | Spacer                                  | manual lever shaft                     | 1    | 02-11       | AE           | 15158-83203 |
| G291                          | Pin, roll                               | rooster cone lock                      | 1    | 02-11       | AE           | 15158-83304 |
| G292                          | Shaft, manual lever                     | ZF6HP26                                | 1    | 02-11       | AE           | 15158-83404 |
| G301                          | Spring, park return                     | ZF6HP26                                | 1    | 02-11       | AE           | 15158-83903 |
| G302                          | Pawl, park                              | ZF6HP26                                | 1    | 02-11       | AE           | 15158-84003 |
| G303                          | Pin, park shaft                         | ZF6HP26                                | 1    | 02-11       | AE           | 15158-84103 |
| G304                          | Bolt, park pin                          | ZF6HP26                                | 1    | 02-11       | AE           | 15158-84203 |
| G306                          | Rod, park                               | ZF6HP26                                | 1    | 02-11       | AE           | 15158-84303 |
| G308                          | Bracket, park rod guide                 | ZF6HP26                                | 1    | 02-11       | AE           | 15158-84403 |
| G310                          | Housing seals (plastic)                 | ZF6HP26 (pump to valve body)           | 1    | 02-11       | AE           | 15158-84503 |
| G313                          | Plate, valve body (bonded)              | ZF6HP26                                | 1    | 06-07       | 6L2Z-7Z490-A | 15158-28804 |
| G313                          | Plate, valve body (bonded)              | # on plate (1068-327-180)              | 1    | 01-10       | 1068-227-052 | 45158-28904 |
| G313                          | Plate, valve body (bonded)              | # on plate (1068-327-141)              | 1    | 01-10       | 1068-227-035 | 45158-29004 |
| G313                          | Plate, valve body (bonded)              | # on plate (1068-327-179)              | 1    | 01-10       | 1068-227-051 | 45158-29104 |
| G313                          | Plate, valve body (bonded)              | # on plate (1068-327-163)              | 1    | 01-10       | 1068-227-047 | 45158-29204 |
| G313                          | Plate, valve body (bonded)              | # on plate (1068-327-189)              | 1    | 01-10       | 1068-227-053 | 45158-29304 |
| G314                          | Valve body w/solenoids                  | ZF6HP26                                | 1    | 02-11       | AE           | 45158-84603 |
|                               |   |  |      |             |              |             |
|                               |   |  |      |             |              |             |
|                               |   |  |      |             |              |             |
|                               |   |  |      |             |              |             |
|                               |   |  |      |             |              |             |
|                               |   |  |      |             |              |             |
|                               |   |  |      |             |              |             |





RE5R05A  
68217-

| ILL                                  | DESCRIPTION                              | QTY | YEAR  | REFERENCE #    | PART #      |
|--------------------------------------|--|-----|-------|----------------|-------------|
| <b>TECHNICAL MANUALS</b>             |  |     |       |                |             |
| K53                                  | Tech manual RE5R05A dis/assembly         | 1   | 02-11 | 83-RE5R05A     | 010-431     |
| K53                                  | Technicians diagnostic guide RE5R05A     | 1   | 02-11 | RE5-Tech-Guide | 010-432     |
| <b>REBUILDER KITS</b>                |  |     |       |                |             |
| K5                                   | Master kit w/steels w/pistons            | 1   | 02-11 | AE             | 68217-11004 |
| K5                                   | Master kit w/steels w/o pistons          | 1   | 02-11 | AE             | 68217-11104 |
| K5                                   | Master kit w/steels w/pistons            | 1   | 02-11 | AE             | 82217-11004 |
| K5                                   | Master kit w/steels w/o pistons          | 1   | 02-11 | AE             | 82217-11104 |
| K5                                   | Master kit w/steels w/pistons            | 1   | 04-11 | AE             | 72217-11004 |
| K5                                   | Master kit w/steels w/o pistons          | 1   | 04-11 | AE             | 72217-11104 |
| K6                                   | Master kit w/o steels w/pistons          | 1   | 02-11 | AE             | 68217-12004 |
| K6                                   | Master kit w/o steels w/o pistons        | 1   | 02-11 | AE             | 68217-12104 |
| K6                                   | Master kit w/o steels w/pistons          | 1   | 02-11 | AE             | 82217-12004 |
| K6                                   | Master kit w/o steels w/o pistons        | 1   | 02-11 | AE             | 82217-12104 |
| K6                                   | Master kit w/o steels w/pistons          | 1   | 04-11 | AE             | 72217-12004 |
| K6                                   | Master kit w/o steels w/o pistons        | 1   | 04-11 | AE             | 72217-12104 |
| K7                                   | O/H gasket set w/seals-rings w/pistons   | 1   | 02-11 | AE             | 68217-13004 |
| K7                                   | O/H gasket set w/seals-rings w/o pistons | 1   | 02-11 | FDB-2461       | 68217-13104 |
| K43                                  | Kit, bonded piston                       | 1   | 02-11 | AE             | 68217-99504 |
| <b>VALVE BODY KITS</b>               |  |     |       |                |             |
| K15                                  | Kit, valve body repair                   | 1   | 02-11 | n/a            | 68217-17009 |
| K15                                  | Kit, valve body repair                   | 1   | 02-11 | n/a            | 68217-17005 |
| K15                                  | Reprogramming Kit™                       | 1   | 02-11 | RE5R05A-HD2    | RE5R05A-HD2 |
| <b>GASKETS AND RUBBER COMPONENTS</b> |  |     |       |                |             |
| F1                                   | Gasket, oil pan                          | 1   | 02-11 | B11547         | 68217-19004 |
| F1                                   | Gasket, oil pan                          | 1   | 05-09 | B11549         | 72217-19004 |
| A5                                   | O'ring                                   | 1   | 02-11 | 31526-90X00    | 1026        |
| A6                                   | O'ring (2 green stripes)                 | 1   | 02-11 | 31526-90X05    | 23020A      |
| F29                                  | O'ring                                   | 1   | 02-11 | FDB-B15131     | 68217-23404 |
| F29                                  | O'ring                                   | 2   | 02-11 | 31526-90X06    | 23053       |
| F30                                  | O'ring                                   | 1   | 02-11 | 31526-90X07    | 23056       |
| F32                                  | Gasket, extension housing                | 1   | 02-11 | 31338-90X00    | 68217-29404 |
| n/i                                  | O'ring                                   | 1   | 02-11 | 31084-20300    | 68217-23804 |
| n/i                                  | Gasket, valve body                       | 1   | 02-11 | FDB-B36252     | 68217-28204 |
| n/i                                  | Gasket, valve body                       | 1   | 02-11 | FDB-B36253     | 68217-28304 |
| n/i                                  | O'ring                                   | 1   | 02-11 | 31397-90X01    | 68217-29104 |
| <b>METAL CLAD SEALS</b>              |  |     |       |                |             |
| A40                                  | Seal, metal clad                         | 1   | 02-11 | 31344-21Z00    | 68200       |
| F43                                  | Seal, metal clad 12x22x7mm               | 1   | 02-11 | 31375-31X01    | 46202       |
| F44                                  | Seal, metal clad 62x44x10mm              | 1   | 02-11 | 31366-X6901    | 78205       |
| F44                                  | Seal, metal clad                         | 1   | 05-11 | 31375-90X0A    | 68217-30604 |
| <b>SEALING RINGS</b>                 |  |     |       |                |             |
| K10                                  | Kit, sealing ring                        | 1   | 02-11 | FDB-3487       | 68217-31504 |
| A50                                  | Sealing ring (plastic)                   | 4   | 02-11 | 31525-90X00    | 68217-33304 |
| B52                                  | Sealing ring (plastic)                   | 2   | 02-11 | 31525-90X09    | 68217-33504 |
| B53                                  | Sealing ring (plastic)                   | 2   | 02-11 | 31525-90X03    | 68217-33604 |
| D55                                  | Sealing ring (plastic)                   | 3   | 02-11 | 31525-90X07    | 68217-33804 |
| E57                                  | Sealing ring (teflon)                    | 2   | 02-11 | 31525-90X08    | 68217-34004 |
| <b>CLUTCH PLATES</b>                 |  |     |       |                |             |
| A65                                  | Steel .079" 5.624" id 24T                | 6/7 | 02-11 | 31536-90X00    | 68217-37604 |
| A66                                  | Friction .069" 6.349" od 60T             | 6/7 | 02-11 | 31532-90X00    | 68217-35204 |
| C69                                  | Friction .063" 4.900" 30T                | 4/5 | 02-11 | 31532-90X02    | 68217-35404 |
| C70                                  | Steel .094" 3.700" id 24T                | 4/5 | 02-11 | 31536-90X02    | 68217-37804 |
| C70                                  | Steel .094" (larger od)                  | sel | 02-11 | 31536-95X00    | 68217-37904 |



# RE5R05A•A5SR2•JR507E

RE5R05A•A5SR2•JR507E

| ILL                                 | DESCRIPTION   | QTY | YEAR  | REFERENCE #  | PART #      |
|-------------------------------------|---|-----|-------|--------------|-------------|
| <b>CLUTCH PLATES (CONTINUED)</b>    |   |     |       |              |             |
| C70                                 | Steel .094" 3.741" id 24T high/low clutch (K2)                        | 5   | 02-11 | 174703A-240  | 68217-38004 |
| C72                                 | Friction .071" 6.200" od 24T direct clutch                            | 5   | 02-11 | 31532-90X01  | 68217-35604 |
| C73                                 | Steel .094" 5.500" id 24T direct clutch                               | 5/6 | 02-11 | 31536-95X01  | 68217-38204 |
| C73                                 | Steel .102" 5.500" id 24T direct clutch                               | sel | 02-11 | 31636-90X01  | 68217-38404 |
| D75                                 | Friction .070" 6.600" od 50T Pickups/SUV's (reverse brake clutch)(B1) | 6   | 02-11 | 31662-90X00  | 68217-35804 |
| D75                                 | Friction .064" 6.596" od 40T reverse brake clutch (B1)                | 7   | 02-11 | 174704A-162  | 68217-35904 |
| D75                                 | Friction .071" 6.596" od 40T Kia Sorento (reverse brake clutch)(B1)   | 5   | 02-11 | 45626-4C000  | 72217-35204 |
| D76                                 | Steel .079" 5.900" id 18T Pickups/SUV's (reverse brake clutch)(B1)    | 6   | 02-11 | 31666-90X00  | 68217-38604 |
| D76                                 | Steel .063" 5.930" id 18T reverse brake clutch (B1)                   | 7   | 02-11 | 31356-AA-310 | 68217-38704 |
| D76                                 | Steel .079" 5.930" id 18T Kia Sorento (reverse brake clutch)(B1)      | 5   | 02-11 | 45626-4C000  | 72217-37604 |
| E79                                 | Friction .061" 5.700" od 39T forward clutch (B3)                      | 5/6 | 02-11 | 31662-90X01  | 68217-36204 |
| E80                                 | Steel .079" 4.900" id 18T forward clutch (B3)                         | 5   | 02-11 | 31666-90X01  | 68217-39004 |
| E80                                 | Steel .063" 4.900" id 16T forward clutch (B3)                         | sel | 02-11 | 31666-95X00  | 68217-39204 |
| E80                                 | Steel .062" 4.893" id 19T Pickups/SUV's (forward clutch)(B3)          | sel | 02-11 | 174709A-157  | 68217-39304 |
| E82                                 | Friction .063" 5.200" od 30T low/coast (B2)                           | 3/4 | 02-11 | 31662-90X02  | 68217-37004 |
| E83                                 | Steel .079" 4.400" id 18T low/coast (B2)                              | 4   | 02-11 | 31666-90X02  | 68217-40304 |
| E83                                 | Steel .071" 4.400" id 15T low/coast (B2)                              | sel | 02-11 | 31565-95X01  | 68217-40104 |
| E83                                 | Steel .063" 4.400" id 16T low/coast (B2)                              | sel | 02-11 | 31666-95X02  | 68217-40204 |
| E83                                 | Steel .062" 4.441" id 16T Pickups/SUV's (low/coast)(B2)               | 1   | 02-11 | 174707A-157  | 68217-40404 |
| E83                                 | Steel .070" 4.441" id 15T Pickups/SUV's (low/coast)(B2)               | 3   | 02-11 | 174707B-178  | 68217-40504 |
| <b>PRESSURE PLATES</b>              |   |     |       |              |             |
| A90                                 | Pressure plate input clutch   | 1   | 02-11 | AE           | 68217-41203 |
| C92                                 | Pressure plate high/low clutch  | 1   | 02-11 | AE           | 68217-41603 |
| C94                                 | Pressure plate direct clutch  | 1   | 02-11 | AE           | 68217-42003 |
| D96                                 | Pressure plate reverse clutch   | 1   | 02-11 | AE           | 68217-42503 |
| E99                                 | Pressure plate forward clutch   | 1   | 02-11 | AE           | 68217-42703 |
| E101                                | Pressure plate low coast clutch                                       | 1   | 02-11 | AE           | 68217-43003 |
| <b>FILTERS</b>                      |   |     |       |              |             |
| F105                                | filter RE5R05A  | 1   | 02-11 | 31728-97X00  | 68217-45104 |
| <b>BANDS</b>                        |   |     |       |              |             |
| A110                                | Band, flex brake  | 1   | 02-11 | 31630-90X00  | 68217-47604 |
| <b>BUSHINGS</b>                     |   |     |       |              |             |
| A115                                | Bushing 2.130" od pump body   | 1   | 02-11 | n/a          | 68001       |
| A117                                | Bushing front drum (rear)   | 1   | 02-11 | n/a          | 68217-50904 |
| A119                                | Bushing input housing (rear)  | 1   | 02-11 | n/a          | 68217-51004 |
| B121                                | Bushing middle sun gear shaft (front)                                 | 1   | 02-11 | n/a          | 68217-51304 |
| B122                                | Bushing middle sun gear shaft (rear)                                  | 1   | 02-11 | n/a          | 68217-51404 |
| B123                                | Bushing rear sun gear   | 1   | 02-11 | n/a          | 68217-51504 |
| F126                                | Bushing case  | 1   | 02-11 | n/a          | 68217-52004 |
| F127                                | Bushing extension housing   | 1   | 02-11 | n/a          | 68217-52304 |
| <b>WASHERS/BEARINGS/RACES/SHIMS</b> |   |     |       |              |             |
| A130                                | Race, thrust pump stator to front drum                                | 1   | 02-11 | n/a          | 68217-56204 |
| A131                                | Bearing, thrust pump stator to front drum                             | 1   | 02-11 | n/a          | 68217-56304 |
| A133                                | Bearing, caged pump stator (rear)                                     | 1   | 02-11 | n/a          | 68217-56504 |
| A135                                | Washer, thrust (brass) sprag end cap                                  | 1   | 02-11 | n/a          | 68217-56704 |
| A137                                | Bearing, thrust front planetary to drum                               | 1   | 02-11 | n/a          | 68217-56904 |
| A138                                | Race, thrust planetary to input housing                               | 1   | 02-11 | n/a          | 68217-57004 |
| A139                                | Bearing, thrust planetary to input housing                            | 1   | 02-11 | n/a          | 68217-57104 |
| B142                                | Bearing, thrust middle planetary to input housing                     | 1   | 02-11 | n/a          | 68217-57304 |
| B144                                | Race, thrust rear planetary to middle planetary                       | 1   | 02-11 | n/a          | 68217-57504 |
| B145                                | Bearing, thrust rear planetary to middle planetary                    | 1   | 02-11 | n/a          | 68217-57604 |
| B147                                | Bearing, thrust rear sun gear to planetary                            | 1   | 02-11 | n/a          | 68217-57704 |
| B149                                | Washer, thrust (brass) sprag end cap                                  | 1   | 02-11 | n/a          | 68217-57804 |

| ILL   | DESCRIPTION                   | QTY | YEAR  | REFERENCE # | PART #      |
|---|-------------------------------|-----|-------|-------------|-------------|
| <b>WASHERS/BEARINGS/RACES/SHIMS (CONTINUED)</b> |                               |     |       |             |             |
| B150  | Bearing, thrust               | 1   | 02-11 | n/a         | 68217-58004 |
| B152  | Race, thrust                  | 1   | 02-11 | n/a         | 68217-58204 |
| B153  | Bearing, thrust               | 1   | 02-11 | n/a         | 68217-58304 |
| B154  | Race, thrust                  | 1   | 02-11 | n/a         | 68217-58404 |
| C156  | Bearing, thrust               | 1   | 02-11 | n/a         | 68217-58704 |
| C159  | Bearing, thrust               | 1   | 02-11 | n/a         | 68217-59004 |
| D161  | Bearing, thrust               | 1   | 02-11 | n/a         | 68217-59304 |
| D162  | Washer, thrust                | 1   | 02-11 | n/a         | 68217-59404 |
| D166  | Washer, thrust                | 1   | 02-11 | n/a         | 68217-59604 |
| E169  | Bearing, thrust               | 1   | 02-11 | n/a         | 68217-59304 |
| E170  | Race, thrust                  | 1   | 02-11 | n/a         | 68217-59904 |
| E172  | Bearing, thrust               | 1   | 02-11 | n/a         | 68217-60104 |
| E174  | Race, thrust                  | 1   | 02-11 | n/a         | 68217-60304 |
| E175  | Bearing, thrust               | 1   | 02-11 | n/a         | 68217-59304 |
| <b>SNAP RINGS</b>                               |                               |     |       |             |             |
| A180  | Snap ring                     | 1   | 02-11 | AE          | 68217-62103 |
| A182  | Snap ring                     | 1   | 02-11 | AE          | 68217-62203 |
| A184  | Snap ring                     | 1   | 02-11 | AE          | 68217-62503 |
| A185  | Snap ring                     | 1   | 02-11 | AE          | 68217-62603 |
| B187  | Snap ring                     | 1   | 02-11 | AE          | 68217-62803 |
| B189  | Snap ring                     | 1   | 02-11 | AE          | 68217-63003 |
| B190  | Snap ring                     | 1   | 02-11 | AE          | 68217-63103 |
| C192  | Snap ring                     | 1   | 02-11 | AE          | 68217-63503 |
| C193  | Snap ring                     | 1   | 02-11 | AE          | 68217-63603 |
| C194  | Snap ring                     | 1   | 02-11 | AE          | 68217-63703 |
| C195  | Snap ring                     | 1   | 02-11 | AE          | 68217-64003 |
| D197  | Snap ring                     | 1   | 02-11 | AE          | 68217-64303 |
| D198  | Snap ring                     | 1   | 02-11 | AE          | 68217-64503 |
| D199  | Snap ring                     | 1   | 02-11 | AE          | 68217-64703 |
| D200  | Snap ring                     | 1   | 02-11 | AE          | 68217-65003 |
| D202  | Snap ring                     | 1   | 02-11 | AE          | 68217-65003 |
| E204  | Snap ring                     | 1   | 02-11 | AE          | 68217-65103 |
| F208  | Snap ring                     | 1   | 02-11 | AE          | 68217-66503 |
| <b>PUMP PARTS AND PUMPS</b>                     |                               |     |       |             |             |
| A215  | Pump assembly                 | 1   | 02-11 | AE          | 68217-67003 |
| A216  | Body, pump w/gears            | 1   | 02-11 | AE          | 68217-67503 |
| A217  | Gears, pump (inner/outer)     | 1   | 02-11 | n/a         | 68217-68104 |
| A218  | Support, pump w/shaft         | 1   | 02-11 | AE          | 68217-68503 |
| <b>HARD PARTS</b>                               |                               |     |       |             |             |
| A221  | Drum, front w/sun gear        | 1   | 02-11 | AE          | 68217-72203 |
| A223  | Planetary, front              | 1   | 02-11 | AE          | 68217-72503 |
| A224  | Housing, input clutch w/shaft | 1   | 02-11 | AE          | 68217-72803 |
| A225  | Piston, input clutch          | 1   | 02-11 | AE          | 68217-73103 |
| A226  | Retainer, w/springs           | 1   | 02-11 | AE          | 68217-73203 |
| B228  | Shell, w/ring gear            | 1   | 02-11 | AE          | 68217-73503 |
| B229  | Planetary, middle             | 1   | 02-11 | AE          | 68217-73803 |
| B230  | Gear, middle ring             | 1   | 02-11 | AE          | 68217-74003 |
| B231  | Planetary, rear               | 1   | 02-11 | AE          | 68217-74203 |
| B232  | Gear, middle sun              | 1   | 02-11 | AE          | 68217-74503 |
| B234  | Gear, rear sun                | 1   | 02-11 | AE          | 68217-74703 |
| B236  | Hub, high/low clutch          | 1   | 02-11 | AE          | 68217-74903 |
| C239  | Retainer, w/springs           | 1   | 02-11 | AE          | 68217-75103 |
| C240  | Piston, high/low clutch       | 1   | 02-11 | AE          | 68217-75203 |

# RE5R05A•A5SR2•JR507E

RE5R05A•A5SR2•JR507E

| ILL                           | DESCRIPTION                   | QTY | YEAR  | REFERENCE # | PART #      |
|-------------------------------|-------------------------------|-----|-------|-------------|-------------|
| <b>HARD PARTS (CONTINUED)</b> |                               |     |       |             |             |
| C241                          | Housing, high/low clutch      | 1   | 02-11 | AE          | 68217-75303 |
| C242                          | Retainer, w/springs           | 1   | 02-11 | AE          | 68217-75503 |
| C243                          | Piston, direct clutch         | 1   | 02-11 | AE          | 68217-75603 |
| C244                          | Housing, direct clutch        | 1   | 02-11 | AE          | 68217-75703 |
| D246                          | Spring, anti rattle           | 1   | 02-11 | AE          | 68217-76103 |
| D247                          | Retainer, reverse clutch      | 1   | 02-11 | AE          | 68217-76203 |
| D248                          | Spring, reverse clutch return | 1   | 02-11 | AE          | 68217-76304 |
| D250                          | Piston, reverse clutch        | 1   | 02-11 | AE          | 68217-76403 |
| D252                          | Support, center               | 1   | 02-11 | AE          | 68217-76503 |
| D254                          | Race, rear outer sprag        | 1   | 02-11 | AE          | 68217-76803 |
| D255                          | Hub, forward clutch           | 1   | 02-11 | AE          | 68217-76903 |
| E258                          | Retainer, w/springs           | 1   | 02-11 | AE          | 68217-77203 |
| E259                          | Piston, low coast clutch      | 1   | 02-11 | AE          | 68217-77303 |
| E260                          | Housing, low coast clutch     | 1   | 02-11 | AE          | 68217-77503 |
| E261                          | Gear, park                    | 1   | 02-11 | AE          | 68217-77803 |
| E262                          | Shaft, output (2WD)           | 1   | 02-11 | AE          | 68217-78003 |
| E262                          | Shaft, output (4WD)           | 1   | 02-11 | AE          | 68217-78103 |
| F265                          | Housing, front (bell housing) | 1   | 02-11 | AE          | 68217-78503 |
| F268                          | Piston, servo (w/pin/spring)  | 1   | 02-11 | AE          | 68217-78803 |
| F272                          | Housing, main case            | 1   | 02-11 | AE          | 68217-79003 |
| F273                          | Shaft, shift                  | 1   | 02-11 | AE          | 68217-80103 |
| F274                          | Spring, roller detent         | 1   | 02-11 | AE          | 68217-80203 |
| F235                          | Guide, park rod               | 1   | 02-11 | AE          | 68217-80304 |
| F276                          | Pawl, park                    | 1   | 02-11 | AE          | 68217-80403 |
| F277                          | Spring, park pawl             | 1   | 02-11 | AE          | 68217-80503 |
| F278                          | Pin, park pawl                | 1   | 02-11 | AE          | 68217-80603 |
| F279                          | Cone, rooster                 | 1   | 02-11 | AE          | 68217-80703 |
| F280                          | Rod, park                     | 1   | 02-11 | AE          | 68217-80803 |
| F285                          | Pin, roll (shift shaft)       | 1   | 02-11 | AE          | 68217-81003 |
| F290                          | Housing, extension (2WD)      | 1   | 02-11 | AE          | 68217-81503 |
| F290                          | Housing, extension (4WD)      | 1   | 02-11 | AE          | 68217-81603 |
| F291                          | Valve body w/solenoids        | 1   | 02-11 | AE          | 68217-82003 |
| F292                          | Pan, bottom                   | 1   | 02-11 | AE          | 68217-82503 |
| <b>ELECTRICAL COMPONENTS</b>  |                               |     |       |             |             |
| F300                          | Harness, internal wiring      | 1   | 02-11 | n/a         | 68217-85504 |
| F301                          | Sensor, temperature           | 1   | 02-11 | n/a         | 68217-86004 |
| F302                          | Housing, solenoid             | 1   | 02-11 | n/a         | 68217-86304 |
| F303                          | Sensor, output speed          | 1   | 02-11 | n/a         | 68217-86504 |
| F304                          | Connector, case               | 1   | 02-11 | n/a         | 68217-86804 |
| F305                          | Harness, internal wiring      | 1   | 02-11 | n/a         | 68217-87004 |
| F308                          | Switch, MLPS (neutral start)  | 1   | 02-11 | n/a         | 68217-87504 |
| n/i                           | Solenoid                      | 1   | 02-11 | n/a         | 68217-87904 |
| n/i                           | Solenoid                      | 1   | 02-11 | n/a         | 68217-87904 |
| n/i                           | Solenoid                      | 1   | 02-11 | n/a         | 68217-87904 |
| n/i                           | Solenoid                      | 1   | 02-11 | n/a         | 68217-88104 |
| n/i                           | Solenoid                      | 1   | 02-11 | n/a         | 68217-88104 |
| n/i                           | Solenoid                      | 1   | 02-11 | n/a         | 68217-88104 |
| n/i                           | Solenoid                      | 1   | 02-11 | n/a         | 68217-88404 |
|                               |                               |     |       |             |             |
|                               |                               |     |       |             |             |
|                               |                               |     |       |             |             |
|                               |                               |     |       |             |             |





# NEW PART NO 50185

## BorgWarner PART NO. 50185

OEM Heavy Duty Replacement  
Governor Pressure Solenoid fits  
Dodge/Jeep 42/44/46/47/48 RE transmissions



*BorgWarner carries a full line of OEM quality clutch plates, transmission bands, one-way clutches, and electronic transmission solenoids that are 100% guaranteed to fit your rebuilds.*

### We're stable under pressure.

BorgWarner's new Governor Pressure Solenoid will not flood out at increased line pressures and can be used in modified and high performance transmissions as well as stock units. It delivers all the benefit of much more expensive aftermarket solenoid adapter kits for just the price of a solenoid, and with better reliability and no extra parts to change out.

The extra size gives you more **magnet force, more spool valve force, 15% more flow capacity than the OE brand**, all of which adds up to a wide safety margin of stable pressure to ensure reliable shifting under all conditions.

Call your authorized distributor today and ask for genuine OEM quality solenoids from the global leader in automatic transmission technology...BorgWarner Inc.



*The BorgWarner Indianapolis 500 Trophy is a registered trademark of BorgWarner Inc.*





# Check out this rebuilding tool.

It's convenient, informative and free!

New!  
Online  
Catalog



## Technical Inserts

Inside TransTec® kits you'll find technical literature with illustrations that simplify rebuilding transmissions.



## Technical Bulletins

Written by transmission professionals for transmission professionals to clear up confusion and simplify rebuilding complex transmissions.

## Online Transmission Catalog Now Available!

Check out the online version of the TransTec® transmission catalog. You'll find the latest kits and components with daily updates.



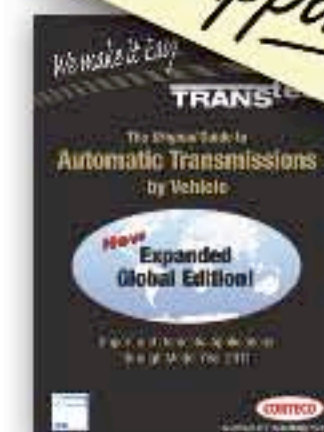
# www.TransTec.com

Visit [www.TransTec.com](http://www.TransTec.com) and you'll find feature-rich resources like our new Online Transmission Catalog with the latest kits and components, technical information organized by transmission, a Transmission-by-Vehicle Guide, New Product Announcements, Technical Bulletins and more. The days of searching through piles of papers and manuals are a thing of the past.

Simply click on the type of reference material you want and view them on screen or download them for printing.

So take a close look at [www.TransTec.com](http://www.TransTec.com) and see what we have to offer. You'll find this convenient, informative tool is indispensable.

Includes  
Global  
Applications



## Transmission Guide

This convenient reference, now available on-line, makes it easy to determine which automatic transmission is in a specific domestic or import vehicle.



## New Product Announcements

advise of the latest developments in rebuilding.

# TRANstec®

We make it Easy.



T: 419.499.2502 • F: 419.499.2804 • [www.TransTec.com](http://www.TransTec.com) • Milan, OH 44846



A Division of Freudenberg-NOK