

Orange Book

AM General

Oldsmobile

Buick

Opel

Cadillac

Pontiac

Chevrolet/Pickups

Saturn

GEO

Trucks & Buses

GMC

Miscellaneous

Isuzu



Transmission Fluid Protection & Conversion Products



MULTI-VEHICLE PROTECTANT/SUPPLEMENT PT#6900

- Smart Blend TITANIUM takes the guess work out of converting ATFs because it works in all Transmission types except Ford Type F and CVT applications.
- Prevents and instantly stops torque converter shudder
- Ensures and maintains proper shifts
- Dramatically reduces wear on internal components
- Prevents overheating, foaming and oxidation
- Extends frictional stability and fluid change intervals

FULLY FORMULATED CVT FLUID PT#3100

- Suitable for use in ALL Continuously Variable Transmission (CVT) applications
- Optimized for excellent metal to metal friction performance
- Provides advanced wear protection, anti-shudder performance and oxidation stability
- Excellent low temperature fluidity for proper operation in cold weather conditions



ATF PROTECTANT PT#4001

- Prevents & Instantly Eliminates Torque Converter Lock-Up Shudder
- Prevents Overheating and Oxidation
- Keeps Valves & Governors Free
- Protects and Coats Gears & Pumps
- Extends Fluid Life

Also Available in a 2-Step Clean & Protect Kit PT#43005



HIGHLY FRICTION MODIFIED (HFM) SUPPLEMENT PT#6001

- Eliminates the Need for Multiple OEM Fluids
- Big Profit Increase, Saves Money \$\$\$
- Prevents Overheating & Fluid Oxidation
- Keeps Valves & Governors Free
- Softens Hard Shifting & Extends Fluid Life
- Prevents Torque Converter Lock Up Shudder



FLUID FLUSH PT#4200

- Safely Removes Light Varnish and Other Deposits
- Prepares Transmission for New Fluid
- Cleans All Internal Transmission Components
- Contains No Alcohol or Damaging Chemicals (Totally Safe)

M-V SUPPLEMENT PT#6500

- Converts Dexron III®/Mercon® Automatic Transmission Fluid (ATF) into a Mercon V® Type Fluid.
- Saves Time & Money, Eliminates the Need to Stock Mercon V® Fluid.
- Prevents Torque Converter Lock-Up Shudder.
- Improves Low Temperature Shifting.
- Extends Frictional Stability and Life of the Fluid.



D-VI SUPPLEMENT PT#6700

- Converts Dexron III®/Mercon® Automatic Transmission Fluid (ATF) into a Highly Stable Fluid such as DEXRON VI®.
- Saves Time & Money, Only Need to Stock Dexron III®/Mercon® Fluid
- STOPS Torque Converter Shudder Instantly
- Extends Frictional Stability and Fluid Life.
- Creates Longer Service Intervals.
- Softens Hard Shifts.



SHUDDER ELIMINATOR PT#3800

- Instantly Eliminates Torque Converter Shudder
- Restores Key Friction Modifiers Lost Due to Heat and Excessive Mileage

CONTENT INDEX

| TRANSMISSION | TYPE | | SERIES | PAGE |
|--|------------|---------|---------------------|------|
| TH125•C•3T40 | 3 SPD | FWD | 51000 | 2 |
| 4T40E•4T45E | 4 SPD | FWD | 59000 | 10 |
| TH325•TH325-4L | 4 SPD | FWD | 32000D/E | 16 |
| TH440-T4•4T60•E•4T65E | 4 SPD | FWD/AWD | 66000/B | 22 |
| 4T80E | 4 SPD | FWD | 37000 | 34 |
| 6T40E•6T45E | 6 SPD | FWD/AWD | 10264- | 40 |
| 6T70E•6T75E | 6 SPD | FWD/AWD | 10153- | 44 |
| 2MT70•2-MODE | EVT | FWD | 90266- | 50 |
| TAAT | 4 SPD | FWD | 95000 | 52 |
| VT25-E | CVT | FWD/AWD | 90232- | 56 |
| MDRA•MJ7-8 | 5 SPD | FWD/AWD | 25173- | 60 |
| APXA•APX4•MPXA•MPWA•MPOA•AOYA•BOYA• BAXA•MAXA•MP1A•M6HA•MPJA •MDWA•PX4B | 4 SPD | FWD | 50000N/R | 62 |
| B7XA•MPZA•B7TA•B7YA | 4 SPD | FWD | 50000B/BA/Q | 66 |
| AW50-40•AW50-42LE | 4 SPD | FWD/AWD | 97248- | 70 |
| AW55-50SN•AF33-5•AF23-5• RE5F22A•AW235 | 5 SPD | FWD/AWD | 97249- | 76 |
| AW60-40LE•41SN•AF13•17-AS17-4 | 4 SPD | FWD | 93234- | 80 |
| AF40•TF-80SC•AF40-6 | 6 SPD | FWD/AWD | 10251- | 86 |
| MX17 | 3 SPD | FWD | 75000M | 90 |
| A130•A131L•A132L | 3 SPD | FWD | 75000B | 94 |
| A240•A241E•242E•A243E•A244E | 4 SPD | FWD/4x4 | 75000A | 98 |
| A245E•A246E•A247E | 4 SPD | FWD | 75000F | 102 |
| U250E | 5 SPD | FWD/AWD | 95244- | 106 |
| U340E•U341E•F•MU5 | 4 SPD | FWD/AWD | 95237- | 112 |
| AW80•81-40LE•U440•41E•TF80•81-40LE | 4 SPD | FWD | 10156- | 118 |
| F3A | 3 SPD | FWD | 65000 | 122 |
| JF403E•LJ4A-EL | 4 SPD | FWD | 81000/A | 126 |
| BW35•T35•BW35TB•37TB•BW65•66 | 3 SPD | RWD | 19000/47000/58000 | 130 |
| TH180•C•4L30-E | 4 SPD | RWD/4x4 | 41000/E | 134 |
| TH200•C | 3 SPD | RWD | 32000 | 140 |
| TH200-4R | 4 SPD | RWD | 32000M | 146 |
| Aluminum Powerglide | 2 SPD | RWD | 28000 | 152 |
| TH300•ST300 | 2 SPD | RWD | 38000 | 156 |
| TH350•C•TH250•C | 3 SPD | RWD/4x4 | 35000 | 160 |
| TH400•3L80•375•425 | 3 SPD | RWD/4x4 | 34000D/B | 168 |
| TH700-R4•4L60•E•65E•70E•75E | 4 SPD | RWD/4x4 | 61000/E | 174 |
| 4L80E•4L85E | 4 SPD | RWD/4x4 | 34000E | 188 |
| 4L40E•5L40E•50E | 5 SPD | RWD/AWD | 60000 | 196 |
| 6L45E•6L50E | 6 SPD | RWD/AWD | 10155- | 202 |
| 6L80E | 6 SPD | RWD/4x4 | 10150- | 206 |
| 6L90E | 6 SPD | RWD/4WD | 10151- | 212 |
| 2ML70•2-MODE•AHS-T | EVT/4FIXED | 2WD/4WD | 10253- | 214 |
| AT540•AT545 | 4 SPD | RWD | 11000 | 216 |
| Allison 1000•2000•2400 | 5/6/7 SPD | RWD/4x4 | 70000 | 220 |
| A40•41•42•AW70•71•A44D•DL•DE•A46DE | 3/4 SPD | RWD/4x4 | 46000/A/D/E/F/G/J/K | 226 |
| A340•A341E•A343E•A350•AW30-40LE | 4 SPD | RWD/4x4 | 54000/J/X/W | 230 |
| JR403E•RG4R01A | 4 SPD | RWD | 33000 | 236 |
| 450-43LE•450-43LE | 4 SPD | RWD/4x4 | 77000C | 240 |
| JR405E•RC4A-EL | 5 SPD | RWD | 88000 | 246 |
| AS68RC•DG3-Aisin | 6 SPD | 2WD/4WD | 20262- | 250 |
| Doug Nash overdrive (MK2) | 2 SPD | O.D. | 30000 | 254 |
| NOTES | | | | |
| | | | | |
| | | | | |
| | | | | |

VEHICLE TO TRANSMISSION INDEX

INDEX

| MODEL NAME | ENGINE | YEAR | TRANSMISSION | PAGE |
|--------------------|-----------------------|-------|-----------------------------|------|
| AM GENERAL | | | | |
| Hummer (1) | various | 91-93 | TH400•3L80•375•425 | 168 |
| Hummer (2) (H2SUT) | V/8 6.0L | 04-07 | TH700-R4•4L60•E•65E•70E•75E | 174 |
| Hummer (2) (H2SUT) | V/8 6.2L | 08-09 | 6L80E | 206 |
| Hummer (H1) | V/8 (gas) 6.5L diesel | 93-05 | 4L80E•4L85E | 188 |
| Hummer (H1) | V/8 6.6L diesel | 06-07 | Allison 1000•2000•2400 | 220 |
| Hummer (H3) | L/5 3.5L | 06-09 | TH700-R4•4L60•E•65E•70E•75E | 174 |
| BUICK | | | | |
| All w/2 speed | various | 64-69 | TH300•ST300 | 156 |
| Apollo | various | 73-80 | TH350•C•TH250•C | 160 |
| Century | various | 73-77 | TH400•3L80•375•425 | 168 |
| Century | various | 74-81 | TH350•C•TH250•C | 160 |
| Century | various | 78-81 | TH200•C | 140 |
| Century | L/4 2.2L | 82-96 | TH125•C•3T40 | 2 |
| Century | various | 84-92 | TH440-T4•4T60•E•4T65E | 22 |
| Century | V/6 3.1L | 92-99 | TH440-T4•4T60•E•4T65E | 22 |
| Century | V/6 3.1L | 99-05 | TH440-T4•4T60•E•4T65E | 22 |
| Century | V/6 3.1L | 05-06 | 4T40E•4T45E | 10 |
| Electra | various | 74-81 | TH400•3L80•375•425 | 168 |
| Electra | various | 74-76 | TH400•3L80•375•425 | 168 |
| Electra | various | 76-83 | TH350•C•TH250•C | 160 |
| Electra | various | 77-85 | TH200•C | 140 |
| Electra | various | 80-83 | TH350•C•TH250•C | 160 |
| Electra | various | 81-89 | TH200-4R | 146 |
| Electra | various | 85-90 | TH440-T4•4T60•E•4T65E | 22 |
| Enclave | V/6 3.6L | 07-10 | 6T70E•6T75E | 44 |
| Estate Wagon | various | 81-90 | TH200-4R | 146 |
| LaCrosse/Allure | V/6 3.6L/3.8L | 05-09 | TH440-T4•4T60•E•4T65E | 22 |
| LaCrosse/Allure | L/4 2.4L | 10-10 | 6T40E•6T45E | 40 |
| LaCrosse/Allure | V/6 3.0L/3.6L | 10-10 | 6T70E•6T75E | 44 |
| LeSabre | various | 74-81 | TH400•3L80•375•425 | 168 |
| LeSabre | various | 74-76 | TH400•3L80•375•425 | 168 |
| LeSabre | various | 76-83 | TH350•C•TH250•C | 160 |
| LeSabre | various | 77-79 | TH200•C | 140 |
| LeSabre | various | 81-89 | TH200-4R | 146 |
| LeSabre | various | 86-91 | TH440-T4•4T60•E•4T65E | 22 |
| LeSabre | various | 92-97 | TH440-T4•4T60•E•4T65E | 22 |
| LeSabre | various | 98-04 | TH440-T4•4T60•E•4T65E | 22 |
| LeSabre | V/6 3.8L | 04-05 | 4T40E•4T45E | 10 |
| Lucerne | V/8 4.6L | 06-10 | 4T80E | 34 |
| Lucerne | V/6 3.8L | 06-09 | TH440-T4•4T60•E•4T65E | 22 |
| Park Avenue | various | 80-83 | TH350•C•TH250•C | 160 |
| Park Avenue | various | 80-83 | TH350•C•TH250•C | 160 |
| Park Avenue | V/6 3.8L | 91-96 | TH440-T4•4T60•E•4T65E | 22 |
| Park Avenue | V/6 3.8L/3.8L SC | 97-05 | TH440-T4•4T60•E•4T65E | 22 |
| Rainier | L/6 4.2L V/8 5.3L | 04-07 | TH700-R4•4L60•E•65E•70E•75E | 174 |
| Reatta | various | 88-90 | TH440-T4•4T60•E•4T65E | 22 |
| Reatta | various | 91-92 | TH440-T4•4T60•E•4T65E | 22 |
| Regal | various | 64-69 | TH300•ST300 | 156 |
| Regal | various | 69-83 | TH350•C•TH250•C | 160 |
| Regal | various | 69-81 | TH400•3L80•375•425 | 168 |
| Regal | various | 81-87 | TH200•C | 140 |
| Regal | various | 83-87 | TH200-4R | 146 |
| Regal | various | 88-92 | TH440-T4•4T60•E•4T65E | 22 |

VEHICLE TO TRANSMISSION INDEX

INDEX

| MODEL NAME | ENGINE | YEAR | TRANSMISSION | PAGE |
|------------------|------------------------|-------|-----------------------------|------|
| Regal | V/6 3.1L/3.8L | 93-97 | TH440-T4•4T60•E•4T65E | 22 |
| Regal | V/6 3.8L/3.8L SC | 97-05 | TH440-T4•4T60•E•4T65E | 22 |
| Rendezvous | V/6 3.4L/3.5L/3.6L | 02-07 | TH440-T4•4T60•E•4T65E | 22 |
| Riviera | various | 64-76 | TH400•3L80•375•425 | 168 |
| Riviera | various | 71-78 | TH400•3L80•375•425 | 168 |
| Riviera | various | 77-78 | TH200•C | 140 |
| Riviera | various | 77-78 | TH350•C•TH250•C | 160 |
| Riviera | various | 79-81 | TH325•TH325-4L | 16 |
| Riviera | various | 82-85 | TH325•TH325-4L | 16 |
| Riviera | various | 86-90 | TH440-T4•4T60•E•4T65E | 22 |
| Riviera | V/6 3.8L | 91-96 | TH440-T4•4T60•E•4T65E | 22 |
| Riviera | V/6 3.8L | 97-99 | TH440-T4•4T60•E•4T65E | 22 |
| Roadmaster/Wagon | V/8 5.7L | 91-93 | TH700-R4•4L60•E•65E•70E•75E | 174 |
| Skyhawk | various | 75-80 | TH350•C•TH250•C | 160 |
| Skyhawk | various | 76-80 | TH200•C | 140 |
| Skyhawk | L/4 2.4L | 82-89 | TH125•C•3T40 | 2 |
| Skylark | various | 64-69 | TH300•ST300 | 156 |
| Skylark | various | 69-79 | TH350•C•TH250•C | 160 |
| Skylark | L/4 2.3L | 80-81 | TH125•C•3T40 | 2 |
| Skylark | L/4 2.3L | 82-95 | TH125•C•3T40 | 2 |
| Skylark | L/4 2.3L/2.4L V/6 3.1L | 94-98 | TH440-T4•4T60•E•4T65E | 22 |
| Skylark | L/4 2.4L | 97-97 | 4T40E•4T45E | 10 |
| Somerset | various | 85-89 | TH125•C•3T40 | 2 |
| Special | various | 65-69 | TH300•ST300 | 156 |
| Special | various | 67-72 | TH400•3L80•375•425 | 168 |
| Special | various | 69-72 | TH350•C•TH250•C | 160 |
| Terraza | V/6 3.5L | 05-07 | TH440-T4•4T60•E•4T65E | 22 |
| CADILLAC | | | | |
| Allante | n/a | 87-90 | TH440-T4•4T60•E•4T65E | 22 |
| Allante | n/a | 91-92 | TH440-T4•4T60•E•4T65E | 22 |
| Allante | n/a | 93-93 | 4T80E | 34 |
| Brougham | V/8 4.9L/5.7L | 91-96 | TH700-R4•4L60•E•65E•70E•75E | 174 |
| Catera | V/6 3.0L | 97-01 | TH180•C•4L30-E | 134 |
| Cimmaron | various | 82-88 | TH125•C•3T40 | 2 |
| Concours/DeVille | V/8 4.6L | 94-05 | 4T80E | 34 |
| CTS/CTS-V | V/6 2.8L/3.2L/3.6L | 03-07 | 4L40E•5L40E•50E | 196 |
| CTS/CTS-V | V/6 3.0L | 10-11 | 6L45E•6L50E | 202 |
| CTS/CTS-V | V/6 3.6L | 10-11 | 6L45E•6L50E | 202 |
| DeVille | various | 73-84 | TH400•3L80•375•425 | 168 |
| DeVille | various | 80-81 | TH200•C | 140 |
| DeVille | various | 80-82 | TH350•C•TH250•C | 160 |
| DeVille | various | 81-85 | TH200-4R | 146 |
| DeVille | various | 85-90 | TH440-T4•4T60•E•4T65E | 22 |
| DeVille | V/8 4.9L | 91-95 | TH440-T4•4T60•E•4T65E | 22 |
| DeVille | V/8 4.9L | 96-05 | 4T80E | 34 |
| DTS | V/8 4.6L | 06-10 | 4T80E | 34 |
| Eldorado | various | 67-78 | TH400•3L80•375•425 | 168 |
| Eldorado | various | 79-81 | TH325•TH325-4L | 16 |
| Eldorado | various | 82-85 | TH325•TH325-4L | 16 |
| Eldorado | various | 85-90 | TH440-T4•4T60•E•4T65E | 22 |
| Eldorado | V/8 4.9L | 91-93 | TH440-T4•4T60•E•4T65E | 22 |
| Eldorado | V/8 4.6L | 95-03 | 4T80E | 34 |
| Escalade Hybrid | V/8 6.0L | 09-10 | 2ML70•2-MODE•AHS-T | 214 |
| Escalade/ESV/EXT | V/8 5.3L/5.7L/6.0L | 99-06 | TH700-R4•4L60•E•65E•70E•75E | 174 |

VEHICLE TO TRANSMISSION INDEX

INDEX

| MODEL NAME | ENGINE | YEAR | TRANSMISSION | PAGE |
|--------------------------|-------------------|-------|-------------------------------------|------|
| Escalade/ESV/EXT | V/8 6.2L | 07-10 | 6L80E | 206 |
| Fleetwood | various | 74-84 | TH400•3L80•375•425 | 168 |
| Fleetwood | various | 80-81 | TH200•C | 140 |
| Fleetwood | various | 80-82 | TH350•C•TH250•C | 160 |
| Fleetwood | various | 81-90 | TH200-4R | 146 |
| Fleetwood | various | 85-90 | TH440-T4•4T60•E•4T65E | 22 |
| Fleetwood | various | 91-93 | TH440-T4•4T60•E•4T65E | 22 |
| Fleetwood | various | 93-96 | TH700-R4•4L60•E•65E•70E•75E | 174 |
| Fleetwood | various | 97-01 | 4T80E | 34 |
| Livery/Hearse/Limo | V/8 4.6L | 97-01 | 4T80E | 34 |
| Seville | various | 80-81 | TH325•TH325-4L | 16 |
| Seville | various | 82-85 | TH325•TH325-4L | 16 |
| Seville | various | 86-90 | TH440-T4•4T60•E•4T65E | 22 |
| Seville | V/8 4.9L | 91-94 | TH440-T4•4T60•E•4T65E | 22 |
| Seville | V/8 4.6L | 93-04 | 4T80E | 34 |
| SRX | V/6 3.0L | 08-10 | 6T70E•6T75E | 44 |
| SRX | V/6 2.8L | 09-11 | AF40•TF-80SC•AF40-6 | 86 |
| STS-V/XLR-V | V/8 4.4L | 06-08 | 6L80E | 206 |
| STS-V/XLR-V | V/8 4.6L V/6 3.6L | 06-11 | 6L45E•6L50E | 202 |
| STS-V/XLR-V | V/8 4.4L | 07-10 | 6L90E | 212 |
| STS/SRX/XLR | V/6 3.6L V/8 4.6L | 04-07 | 4L40E•5L40E•50E | 196 |
| STS/SRX/XLR | V/8 4.6L | 07-11 | 6L45E•6L50E | 202 |
| CHEVROLET/PICKUPS | | | | |
| Astro Van | various | 85-93 | TH700-R4•4L60•E•65E•70E•75E | 174 |
| Astro Van | various | 93-05 | TH700-R4•4L60•E•65E•70E•75E | 174 |
| Avalanche | V/8 8.1L | 02-06 | 4L80E•4L85E | 188 |
| Avalanche | V/8 5.3L | 02-09 | TH700-R4•4L60•E•65E•70E•75E | 174 |
| Avalanche | V/8 8.1L | 02-06 | 4L80E•4L85E | 188 |
| Avalanche | V/8 6.0L | 07-08 | TH700-R4•4L60•E•65E•70E•75E | 174 |
| Avalanche | V/8 5.3L | 09-10 | 6L80E | 206 |
| Aveo | L/4 1.6L | 04-10 | AW80•81-40LE•UJ440•41E•TF80•81-40LE | 118 |
| Beretta | L/4 2.2L | 87-96 | TH125•C•3T40 | 2 |
| Beretta | V/6 3.1L | 94-96 | TH440-T4•4T60•E•4T65E | 22 |
| Blazer (full size) | various | 69-86 | TH350•C•TH250•C | 160 |
| Blazer (full size) | various | 74-90 | TH400•3L80•375•425 | 168 |
| Blazer (full size) | various | 82-92 | TH700-R4•4L60•E•65E•70E•75E | 174 |
| Blazer (full size) | various | 93-05 | TH700-R4•4L60•E•65E•70E•75E | 174 |
| Blazer (full size) | various | 94-05 | 4L80E•4L85E | 188 |
| C2500-3500 | various | 01-03 | 4L80E•4L85E | 188 |
| Camaro | various | 67-74 | TH400•3L80•375•425 | 168 |
| Camaro | various | 68-81 | TH350•C•TH250•C | 160 |
| Camaro | various | 76-84 | TH200•C | 140 |
| Camaro | various | 83-93 | TH700-R4•4L60•E•65E•70E•75E | 174 |
| Camaro | V/6 3.4L/3.8L | 94-02 | TH700-R4•4L60•E•65E•70E•75E | 174 |
| Camaro | V/8 5.0L/5.7L | 94-02 | TH700-R4•4L60•E•65E•70E•75E | 174 |
| Camaro | V/6 3.6L | 10-11 | 6L45E•6L50E | 202 |
| Camaro SS | V/8 6.2L | 10-10 | 6L80E | 206 |
| Caprice/Wagon | various | 74-76 | TH400•3L80•375•425 | 168 |
| Caprice/Wagon | various | 74-84 | TH350•C•TH250•C | 160 |
| Caprice/Wagon | various | 76-87 | TH200•C | 140 |
| Caprice/Wagon | various | 81-89 | TH200-4R | 146 |
| Caprice/Wagon | various | 82-93 | TH700-R4•4L60•E•65E•70E•75E | 174 |
| Caprice/Wagon | various | 93-96 | TH700-R4•4L60•E•65E•70E•75E | 174 |
| Cavalier | L/4 2.2L V/6 3.1L | 82-05 | TH125•C•3T40 | 2 |

VEHICLE TO TRANSMISSION INDEX

| MODEL NAME | ENGINE | YEAR | TRANSMISSION | PAGE |
|-------------------|--------------------------|-------|--|------|
| Cavalier | L/4 2.2L/2.3L/2.4L | 95-06 | 4T40E•4T45E | 10 |
| Celebrity | various | 82-90 | TH125•C•3T40 | 2 |
| Celebrity | various | 84-90 | TH440-T4•4T60•E•4T65E | 22 |
| Chevelle | various | 65-72 | Aluminum Powerglide | 152 |
| Chevelle | various | 67-75 | TH400•3L80•375•425 | 168 |
| Chevelle | various | 68-81 | TH350•C•TH250•C | 160 |
| Chevelle | various | 73-75 | TH350•C•TH250•C | 160 |
| Chevelle | various | 77-81 | TH200•C | 140 |
| Chevelle | various | 80-81 | TH350•C•TH250•C | 160 |
| Chevette | various | 76-84 | TH200•C | 140 |
| Chevette | various | 77-87 | TH180•C•4L30-E | 134 |
| Citation | various | 80-85 | TH125•C•3T40 | 2 |
| Cobalt | L/4 2.0L/2.2L | 05-10 | 4T40E•4T45E | 10 |
| Colorado | L/4 2.8L L/5 3.5L | 03-10 | TH700-R4•4L60•E•65E•70E•75E | 174 |
| Corsica | L/4 2.2L | 87-96 | TH125•C•3T40 | 2 |
| Corsica | V/6 3.1L | 94-96 | TH440-T4•4T60•E•4T65E | 22 |
| Corvette | various | 65-67 | Aluminum Powerglide | 152 |
| Corvette | various | 68-77 | TH400•3L80•375•425 | 168 |
| Corvette | various | 76-81 | TH350•C•TH250•C | 160 |
| Corvette | V/8 5.7L | 82-92 | TH700-R4•4L60•E•65E•70E•75E | 174 |
| Corvette | V/8 5.7L | 84-87 | Doug Nash overdrive (MK2) | 254 |
| Corvette | V/8 5.7L | 93-05 | TH700-R4•4L60•E•65E•70E•75E | 174 |
| Corvette | V/8 6.0L | 06-08 | 6L80E | 206 |
| Corvette | V/8 6.2L | 08-10 | 6L80E | 206 |
| El Camino | various | 68-87 | TH350•C•TH250•C | 160 |
| El Camino | various | 76-87 | TH200•C | 140 |
| El Camino | various | 84-87 | TH200-4R | 146 |
| Equinox | V/6 3.4L | 05-09 | AW55-50SN•AF33-5•AF23-5• RE5F22A•AW235 | 76 |
| Equinox | L/4 2.4L | 08-10 | 6T40E•6T45E | 40 |
| Equinox | V/6 3.0L | 08-10 | 6T70E•6T75E | 44 |
| Express 1500 | V/6 4.3L | 96-10 | TH700-R4•4L60•E•65E•70E•75E | 174 |
| Express 1500 | V/8 4.8L/5.3L/5.7L | 96-09 | TH700-R4•4L60•E•65E•70E•75E | 174 |
| Express 2500-3500 | V/8 4.8L/5.3L/5.7L | 96-07 | 4L80E•4L85E | 188 |
| Express 2500-3500 | V/8 6.0L/7.4L | 96-09 | 4L80E•4L85E | 188 |
| Express 3500 | V/8 8.1L | 02-02 | 4L80E•4L85E | 188 |
| Express 3500 | V/8 4.8L/6.0L | 10-10 | 6L90E | 212 |
| Express 3500 | V/8 6.6L diesel | 10-10 | 6L90E | 212 |
| HHR/HHR SS | L/4 2.0L/2.2L/2.4L | 06-10 | 4T40E•4T45E | 10 |
| Impala | various | 62-72 | Aluminum Powerglide | 152 |
| Impala | various | 74-81 | TH350•C•TH250•C | 160 |
| Impala | various | 78-79 | TH200•C | 140 |
| Impala | V/8 5.7L | 94-96 | TH700-R4•4L60•E•65E•70E•75E | 174 |
| Impala | V/6 3.4L/3.8L (SC) | 00-06 | TH440-T4•4T60•E•4T65E | 22 |
| Impala | V/6 3.5L/3.9L V/8 5.3L | 06-09 | TH440-T4•4T60•E•4T65E | 22 |
| Kodiak | V/8 6.6L diesel V/8 8.1L | 07-09 | Allison 1000•2000•2400 | 220 |
| Lumina (car) | various | 90-93 | TH125•C•3T40 | 2 |
| Lumina (car) | various | 90-92 | TH440-T4•4T60•E•4T65E | 22 |
| Lumina (car) | V/6 3.1L/3.4L | 93-99 | TH440-T4•4T60•E•4T65E | 22 |
| Lumina (car) | V/6 3.1L/3.8L (SC) | 98-06 | TH440-T4•4T60•E•4T65E | 22 |
| Lumina (van) APV | V/6 3.1L | 90-95 | TH125•C•3T40 | 2 |
| Lumina (van) APV | V/6 3.1L/3.4L/3.8L | 92-96 | TH440-T4•4T60•E•4T65E | 22 |
| Luv Truck | various | 76-81 | TH200•C | 140 |
| Malibu | various | 74-84 | TH350•C•TH250•C | 160 |
| Malibu | various | 76-83 | TH200•C | 140 |

INDEX

VEHICLE TO TRANSMISSION INDEX

INDEX

| MODEL NAME | ENGINE | YEAR | TRANSMISSION | PAGE |
|---------------------|-----------------------------|-------|------------------------------|------|
| Malibu | various | 81-81 | TH200-4R | 146 |
| Malibu | V/6 3.1L | 97-97 | TH440-T4•4T60•E•4T65E | 22 |
| Malibu | L/4 2.4L V/6 3.1L | 97-04 | 4T40E•4T45E | 10 |
| Malibu | V/6 3.9L | 06-08 | TH440-T4•4T60•E•4T65E | 22 |
| Malibu | L/4 2.4L | 08-10 | 6T40E•6T45E | 40 |
| Malibu | V/6 3.6L | 08-10 | 6T70E•6T75E | 44 |
| Malibu 1LT | L/4 2.4L V/6 3.5L | 09-10 | 4T40E•4T45E | 10 |
| Malibu Maxx | L/4 2.2L V/6 3.5L | 04-08 | 4T40E•4T45E | 10 |
| Metro | L/3 1.0L L/4 1.3L | 98-01 | MX17 | 90 |
| Monte Carlo | various | 73-75 | TH350•C•TH250•C | 160 |
| Monte Carlo | various | 74-84 | TH350•C•TH250•C | 160 |
| Monte Carlo | various | 76-87 | TH200•C | 140 |
| Monte Carlo | various | 80-81 | TH350•C•TH250•C | 160 |
| Monte Carlo | various | 84-88 | TH200-4R | 146 |
| Monte Carlo | V/6 3.1L/3.4L | 95-99 | TH440-T4•4T60•E•4T65E | 22 |
| Monte Carlo | V/6 3.4L/3.8L | 97-05 | TH440-T4•4T60•E•4T65E | 22 |
| Monte Carlo | V/6 3.8L (SC) | 97-05 | TH440-T4•4T60•E•4T65E | 22 |
| Monte Carlo | V/6 3.5L/3.9L V/8 5.3L | 06-07 | TH440-T4•4T60•E•4T65E | 22 |
| Monza | various | 75-77 | TH350•C•TH250•C | 160 |
| Monza | various | 76-80 | TH200•C | 140 |
| Monza | various | 78-80 | TH350•C•TH250•C | 160 |
| Nova | various | 62-72 | Aluminum Powerglide | 152 |
| Nova | various | 68-70 | TH400•3L80•375•425 | 168 |
| Nova | various | 68-79 | TH350•C•TH250•C | 160 |
| Nova | various | 74-75 | TH350•C•TH250•C | 160 |
| Nova | various | 76-77 | TH200•C | 140 |
| Nova (import) | L/4 1.6L | 85-88 | A130•A131L•A132L | 94 |
| Prizm | L/4 1.6L/1.8L | 89-90 | A130•A131L•A132L | 94 |
| Prizm | L/4 1.6L/1.8L | 98-02 | A130•A131L•A132L | 94 |
| Prizm | L/4 1.6L/1.8L | 98-02 | A245E•A246E•A247E | 102 |
| S10/S15 Blazer | V/6 2.8L/4.3L | 82-92 | TH700-R4•4L60•E•65E•70E•75E | 174 |
| S10/S15 Blazer | various | 83-84 | TH200•C | 140 |
| S10/S15 Blazer | V/6 4.3L | 90-97 | BW35•T35•BW35TB•37TB•BW65•66 | 130 |
| S10/S15 Blazer | V/6 2.8L/4.3L | 93-95 | TH700-R4•4L60•E•65E•70E•75E | 174 |
| S10/S15 Truck | various | 82-84 | TH200•C | 140 |
| S10/S15 Truck | V/6 2.8L/4.3L | 82-93 | TH700-R4•4L60•E•65E•70E•75E | 174 |
| S10/S15 Truck | L/4 2.2L/2.5L V/6 2.8L/4.3L | 93-04 | TH700-R4•4L60•E•65E•70E•75E | 174 |
| Silverado 1500 | V/8 5.0L/5.7L/6.0L/6.5L | 95-06 | 4L80E•4L85E | 188 |
| Silverado 1500 | V/8 7.4L/8.1L | 95-06 | 4L80E•4L85E | 188 |
| Silverado 1500 | V/8 6.6L diesel | 95-06 | 4L80E•4L85E | 188 |
| Silverado 1500 | V/6 4.3L | 99-10 | TH700-R4•4L60•E•65E•70E•75E | 174 |
| Silverado 1500 | V/8 4.8L/5.3L/6.0L | 99-08 | TH700-R4•4L60•E•65E•70E•75E | 174 |
| Silverado 1500 | V/8 5.3L/6.0L | 09-10 | 6L80E | 206 |
| Silverado 1500 SS | V/8 6.0L | 05-07 | TH700-R4•4L60•E•65E•70E•75E | 174 |
| Silverado 2500-3500 | V/8 8.1L | 00-10 | Allison 1000•2000•2400 | 220 |
| Silverado 2500-3500 | V/8 6.0L/6.6L diesel | 00-10 | Allison 1000•2000•2400 | 220 |
| Silverado HD | V/8 6.0L | 07-10 | 6L90E | 212 |
| Spectrum (import) | L/4 1.6L | 85-89 | F3A | 122 |
| Sprint | L/3 1.0L L/4 1.3L | 85-88 | MX17 | 90 |
| SSR | V/8 5.3L/6.0L | 04-06 | TH700-R4•4L60•E•65E•70E•75E | 174 |
| Storm | L/4 1.6L | 90-93 | F3A | 122 |
| Storm | L/4 1.6L/ 1.8L | 90-93 | JF403E•LJ4A-EL | 126 |
| Suburban | various | 66-90 | TH400•3L80•375•425 | 168 |
| Suburban | various | 69-86 | TH350•C•TH250•C | 160 |

VEHICLE TO TRANSMISSION INDEX

| MODEL NAME | ENGINE | YEAR | TRANSMISSION | PAGE |
|------------------------------------|--|-------|------------------------------------|------|
| Suburban | various | 82-92 | TH700-R4•4L60•E•65E•70E•75E | 174 |
| Suburban | various | 91-04 | 4L80E•4L85E | 188 |
| Suburban | various | 93-99 | TH700-R4•4L60•E•65E•70E•75E | 174 |
| Suburban 1500 | various | 69-86 | TH350•C•TH250•C | 160 |
| Suburban 1500 | various | 74-90 | TH400•3L80•375•425 | 168 |
| Suburban 1500 | various | 82-92 | TH700-R4•4L60•E•65E•70E•75E | 174 |
| Suburban 1500 | V/8 4.8L/5.0L/5.3L/5.7L | 93-08 | TH700-R4•4L60•E•65E•70E•75E | 174 |
| Suburban 1500 | V/8 6.5L diesel | 95-06 | 4L80E•4L85E | 188 |
| Suburban 1500 | V/8 7.4L/8.1L | 95-06 | 4L80E•4L85E | 188 |
| Suburban 1500 | V/8 5.3L | 08-10 | 6L80E | 206 |
| Suburban 2500 | V/8 6.0L | 08-10 | 6L90E | 212 |
| Tahoe | V/8 4.8L/5.0L/5.3L/5.7L | 92-09 | TH700-R4•4L60•E•65E•70E•75E | 174 |
| Tahoe | V/8 5.7L/6.0L | 95-06 | 4L80E•4L85E | 188 |
| Tahoe | V/8 7.4L/8.1L | 95-06 | 4L80E•4L85E | 188 |
| Tahoe | V/8 6.5L diesel | 95-06 | 4L80E•4L85E | 188 |
| Tahoe | V/8 5.3L | 09-10 | 6L80E | 206 |
| Tahoe Hybrid | V/8 6.0L (w/VVT) | 08-10 | 2ML70•2-MODE•AHS-T | 214 |
| Tahoe XFE | V/8 5.3L | 09-10 | 6L80E | 206 |
| Taverse | V/6 3.6L | 08-10 | 6T70E•6T75E | 44 |
| Tracker | L/4 1.6L/2.0L/2.4L | 96-04 | A40•41•42•AW70•71•A44D•DL•DE•A46DE | 226 |
| Tracker | V/6 2.5L | 96-04 | A40•41•42•AW70•71•A44D•DL•DE•A46DE | 226 |
| Tracker | L/4 1.6L | 98-98 | TH180•C•4L30-E | 134 |
| Trail Blazer | L/6 4.2L | 02-09 | TH700-R4•4L60•E•65E•70E•75E | 174 |
| Trail Blazer SS | V/8 6.0L | 06-08 | TH700-R4•4L60•E•65E•70E•75E | 174 |
| Trail Blazer SS | V/8 6.0L | 09-09 | TH700-R4•4L60•E•65E•70E•75E | 174 |
| Truck (C/K series) | various | 62-72 | Aluminum Powerglide | 152 |
| Truck (C/K series) | various | 65-90 | TH400•3L80•375•425 | 168 |
| Truck (C/K series) | various | 69-86 | TH350•C•TH250•C | 160 |
| Truck (C/K series) | various | 82-92 | TH700-R4•4L60•E•65E•70E•75E | 174 |
| Truck (C/K series) | various | 91-93 | 4L80E•4L85E | 188 |
| Truck (C/K series) | various | 93-02 | TH700-R4•4L60•E•65E•70E•75E | 174 |
| Truck, "Tiltmaster" (Jatco Trans.) | various | 88-98 | JR403E•RG4R01A | 236 |
| Uplander | V/6 3.5L | 05-08 | TH440-T4•4T60•E•4T65E | 22 |
| Van (full size) | various | 69-86 | TH350•C•TH250•C | 160 |
| Van (full size) | various | 74-90 | TH400•3L80•375•425 | 168 |
| Van 1500 | V/6 4.8L V/8 5.3L | 04-08 | TH700-R4•4L60•E•65E•70E•75E | 174 |
| Van 1500-2500 | V/6 4.3L V/8 5.0L/5.3L/5.7 L | 95-03 | TH700-R4•4L60•E•65E•70E•75E | 174 |
| Van 2500 | V/6 4.3L V/8 4.8L/5.7L/6.0L/8.1L/6.5L diesel | 96-03 | 4L80E•4L85E | 188 |
| Van 2500 | V/6 4.3L V/8 4.8L/5.3L | 04-07 | TH700-R4•4L60•E•65E•70E•75E | 174 |
| Van 2500 | V/8 6.0L | 04-09 | 4L80E•4L85E | 188 |
| Van 2500 | V/8 6.6L diesel | 06-09 | 4L80E•4L85E | 188 |
| Van 3500 | V/8 4.8L/5.7L/6.0L /7.4L/ 8.1L/6.5L diesel | 95-03 | 4L80E•4L85E | 188 |
| Van 3500 | V/6 4.3L V/8 5.7L | 95-99 | TH700-R4•4L60•E•65E•70E•75E | 174 |
| Van 3500 | V/8 4.8L/6.0L | 04-07 | 4L80E•4L85E | 188 |
| Van 3500 | V/8 6.6L diesel | 06-09 | 4L80E•4L85E | 188 |
| Vega | various | 71-72 | Aluminum Powerglide | 152 |
| Vega | various | 72-73 | TH350•C•TH250•C | 160 |
| Vega | various | 73-77 | TH350•C•TH250•C | 160 |
| Vega | various | 76-77 | TH200•C | 140 |
| Venture (Van) | V/6 3.4L | 97-98 | TH440-T4•4T60•E•4T65E | 22 |
| Venture (Van) | V/6 3.4L | 99-05 | TH440-T4•4T60•E•4T65E | 22 |
| | | | | |
| | | | | |
| | | | | |

INDEX

VEHICLE TO TRANSMISSION INDEX

INDEX

| MODEL NAME | ENGINE | YEAR | TRANSMISSION | PAGE |
|--------------------|-----------------------------|-------|------------------------------------|------|
| GEO | | | | |
| Metro | L/3 1.0L L/4 1.3L | 89-97 | MX17 | 90 |
| Prizm | L/4 1.6L | 89-97 | A130•A131L•A132L | 94 |
| Prizm | L/4 1.6L | 89-92 | A240•A241E•242E•A243E•A244E | 98 |
| Prizm | L/4 1.6L/1.8L | 93-97 | A245E•A246E•A247E | 102 |
| Storm | L/4 1.6L/1.8L | 90-93 | F3A | 122 |
| Storm | L/4 1.6L/1.8L | 90-93 | JF403E•LJ4A-EL | 126 |
| Tracker | L/4 1.6L | 89-97 | TH180•C•4L30-E | 134 |
| Tracker | L/4 1.6L/2.0L | 96-97 | A40•41•42•AW70•71•A44D•DL•DE•A46DE | 226 |
| GMC | | | | |
| Acadia | V/6 3.6L | 07-10 | 6T70E•6T75E | 44 |
| Caballero | various | 78-87 | TH200•C | 140 |
| Caballero | various | 78-86 | TH350•C•TH250•C | 160 |
| Caballero | various | 80-84 | TH350•C•TH250•C | 160 |
| Caballero | various | 84-87 | TH200-4R | 146 |
| Canyon | L/4 2.8L/2.9L L/5 3.5L/3.7L | 04-10 | TH700-R4•4L60•E•65E•70E•75E | 174 |
| Cyclone | V/6 4.3L | 91-92 | TH700-R4•4L60•E•65E•70E•75E | 174 |
| Envoy | V/6 4.3L L/6 4.2L V/8 5.3L | 98-09 | TH700-R4•4L60•E•65E•70E•75E | 174 |
| Jimmy | various | 92-01 | TH700-R4•4L60•E•65E•70E•75E | 174 |
| Jimmy Full Size | various | 70-86 | TH350•C•TH250•C | 160 |
| Jimmy Full Size | various | 74-87 | TH400•3L80•375•425 | 168 |
| Jimmy Full Size | various | 82-92 | TH700-R4•4L60•E•65E•70E•75E | 174 |
| S15/Sonoma | various | 82-87 | TH200•C | 140 |
| S15/Sonoma | V/6 2.8L/4.3L | 83-92 | TH700-R4•4L60•E•65E•70E•75E | 174 |
| S15/Sonoma | V/6 4.3L | 93-04 | TH700-R4•4L60•E•65E•70E•75E | 174 |
| Safari Van | various | 85-92 | TH700-R4•4L60•E•65E•70E•75E | 174 |
| Safari Van | V/6 4.3L | 93-05 | TH700-R4•4L60•E•65E•70E•75E | 174 |
| Savana | various | 96-10 | TH700-R4•4L60•E•65E•70E•75E | 174 |
| Savana 3500 | V/8 4.8L/6.0L | 10-10 | 6L90E | 212 |
| Savana 3500 | V/8 6.6L diesel | 10-10 | 6L90E | 212 |
| Sierra 1500 | V/6 4.3L V/8 5.3L | 04-10 | TH700-R4•4L60•E•65E•70E•75E | 174 |
| Sierra 1500 | V/8 6.0L | 07-08 | TH700-R4•4L60•E•65E•70E•75E | 174 |
| Sierra 1500 | V/8 5.3L/6.0L | 09-10 | 6L80E | 206 |
| Sierra 2500-3500 | V/8 6.0L | 04-04 | 4L80E•4L85E | 188 |
| Sierra 2500-3500 | V/8 6.6L diesel V/8 8.1L | 04-10 | Allison 1000•2000•2400 | 220 |
| Sierra Denali | V/8 6.0L | 03-07 | TH700-R4•4L60•E•65E•70E•75E | 174 |
| Sierra Denali | V/8 6.2L | 07-10 | 6L80E | 206 |
| Sierra HD | V/8 6.0L | 07-10 | 6L90E | 212 |
| Sierra XFE | V/8 5.3L | 09-10 | 6L80E | 206 |
| Sprint | various | 74-77 | TH350•C•TH250•C | 160 |
| Sprint | various | 74-77 | TH400•3L80•375•425 | 168 |
| Sprint | various | 77-77 | TH200•C | 140 |
| Terrain | V/6 3.0L | 08-08 | 6T70E•6T75E | 44 |
| Terrain | V/6 3.6L | 10-10 | 6T40E•6T45E | 40 |
| Truck (C/K series) | various | 66-90 | TH400•3L80•375•425 | 168 |
| Truck (C/K series) | various | 69-86 | TH350•C•TH250•C | 160 |
| Truck (C/K series) | various | 82-92 | TH700-R4•4L60•E•65E•70E•75E | 174 |
| Truck (C/K series) | various | 91-03 | 4L80E•4L85E | 188 |
| Truck (C/K series) | V/6 4.3L V/8 5.3L/5.7L | 93-03 | TH700-R4•4L60•E•65E•70E•75E | 174 |
| Typhoon | V/6 4.3L | 92-93 | TH700-R4•4L60•E•65E•70E•75E | 174 |
| Van | various | 65-70 | Aluminum Powerglide | 152 |
| Van | various | 70-86 | TH350•C•TH250•C | 160 |
| Van | various | 74-90 | TH400•3L80•375•425 | 168 |
| Van | various | 82-92 | TH700-R4•4L60•E•65E•70E•75E | 174 |

VEHICLE TO TRANSMISSION INDEX

INDEX

| MODEL NAME | ENGINE | YEAR | TRANSMISSION | PAGE |
|----------------|-----------------------------|-------|---|------|
| Van | various | 91-05 | 4L80E•4L85E | 188 |
| Van | various | 93-08 | TH700-R4•4L60•E•65E•70E•75E | 174 |
| Yukon | various | 92-92 | TH700-R4•4L60•E•65E•70E•75E | 174 |
| Yukon | various | 93-09 | TH700-R4•4L60•E•65E•70E•75E | 174 |
| Yukon | various | 94-06 | 4L80E•4L85E | 188 |
| Yukon | V/8 5.3L | 09-10 | 6L80E | 206 |
| Yukon 1500 | V/8 6.0L | 06-07 | TH700-R4•4L60•E•65E•70E•75E | 174 |
| Yukon 2500 | V/8 6.0L | 04-07 | 4L80E•4L85E | 188 |
| Yukon 2500 | V/8 8.1L | 04-06 | 4L80E•4L85E | 188 |
| Yukon Denali | V/8 6.0L | 04-06 | TH700-R4•4L60•E•65E•70E•75E | 174 |
| Yukon Denali | V/8 6.2L | 07-10 | 6L80E | 206 |
| Yukon Hybrid | V/8 6.0L (w/VVT) | 08-10 | 2ML70•2-MODE•AHS-T | 214 |
| Yukon XFE | V/8 5.3L | 09-09 | 6L80E | 206 |
| Yukon XL | V/8 6.0L | 09-10 | 6L80E | 206 |
| Yukon XL HD | V/8 6.0L | 08-10 | 6L90E | 212 |
| ISUZU | | | | |
| Amigo | L/6 2.6L | 92-94 | A40•41•42•AW70•71•A44D•DL•DE•A46DE | 226 |
| Amigo | V/6 3.2L | 99-00 | TH180•C•4L30-E | 134 |
| Ascendor | L/6 4.2L V/8 5.3L | 03-08 | TH700-R4•4L60•E•65E•70E•75E | 174 |
| Axiom | V/6 3.5L | 02-04 | TH180•C•4L30-E | 134 |
| D-Max | L/4 3.0L Diesel | 02-11 | JR405E•RC4A-EL | 246 |
| Hombre | L/4 2.2L V/6 4.3L | 97-00 | TH700-R4•4L60•E•65E•70E•75E | 174 |
| I Series | L/4 2.8L/2.9L L/5 3.5L/3.7L | 06-08 | TH700-R4•4L60•E•65E•70E•75E | 174 |
| I-Mark | L/4 1.8L | 81-85 | A40•41•42•AW70•71•A44D•DL•DE•A46DE | 226 |
| I-Mark | L/4 1.5L | 85-89 | F3A | 122 |
| Impulse | L/4 2.0L w/o Turbo | 83-87 | A40•41•42•AW70•71•A44D•DL•DE•A46DE | 226 |
| Impulse | L/42.0L w/Turbo | 86-87 | A40•41•42•AW70•71•A44D•DL•DE•A46DE | 226 |
| Impulse | L/4 2.0L/2.3L | 88-89 | A40•41•42•AW70•71•A44D•DL•DE•A46DE | 226 |
| Impulse | L/4 1.8L | 90-92 | JF403E•LJ4A-EL | 126 |
| NPR | various | 08-10 | AS68RC•DG3-Aisin | 250 |
| Oasis | 2.2L/2.3L L/4 | 96-99 | APXA•APX4•MPXA•MPWA•MPOA•AOYA•BOYA•BAXA•MAXA•MP1A•M6HA•M PJA•MDWA•PX4B | 62 |
| Oasis | V/6 3.5L | 99-05 | B7XA•MPZA•B7TA•B7YA | 66 |
| Pick-Up | various | 81-82 | TH200•C | 140 |
| Pick-Up | L/4 2.0L/2.3L | 83-87 | A40•41•42•AW70•71•A44D•DL•DE•A46DE | 226 |
| Pick-Up | V/6 3.1L | 88-95 | A40•41•42•AW70•71•A44D•DL•DE•A46DE | 226 |
| Pick-Up | V/6 3.1L | 88-89 | A340•A341E•A343E•A350•AW30-40LE | 230 |
| Rodeo | L/4 2.6L V/6 3.2L | 91-02 | TH180•C•4L30-E | 134 |
| Rodeo | L/4 2.2L | 03-03 | TH180•C•4L30-E | 134 |
| Rodeo | V/6 3.2L/3.5L | 03-04 | A340•A341E•A343E•A350•AW30-40LE | 230 |
| Stylus | L/4 1.6L | 91-93 | F3A | 122 |
| Trooper | L/4 2.6L V/6 2.8L | 88-91 | A340•A341E•A343E•A350•AW30-40LE | 230 |
| Trooper | V/6 3.2L/3.5L | 90-02 | TH180•C•4L30-E | 134 |
| Truck NPR, W4 | L/4 3.9L diesel | 87-98 | JR403E•RG4R01A | 236 |
| Truck NPR, W4 | V/8 5.7L/6.0L | 91-05 | 4L80E•4L85E | 188 |
| Truck NPR, W4 | L/4 4.75L L/5 5.2L diesel | 98-05 | 450-43LE•450-43LE | 240 |
| Various Models | various | 65-74 | BW35•T35•BW35TB•37TB•BW65•66 | 130 |
| Various Models | various | 83-06 | TH125•C•3T40 | 2 |
| Various Models | L/4 3.9L diesel | 87-98 | JF403E•LJ4A-EL | 126 |
| Vehicross | V/6 3.5L | 99-01 | TH180•C•4L30-E | 134 |
| W4 | V/8 5.7L | 87-04 | 4L80E•4L85E | 188 |
| W5 | L/6 5.3L | 88-99 | AT540•AT545 | 216 |
| | | | | |
| | | | | |

VEHICLE TO TRANSMISSION INDEX

INDEX

| MODEL NAME | ENGINE | YEAR | TRANSMISSION | PAGE |
|-------------------|--------------------|-------|-----------------------------|------|
| OLDSMOBILE | | | | |
| 88 | V/6 3.8L | 89-92 | TH440-T4*4T60*E*4T65E | 22 |
| 88 | V/6 3.8L | 92-97 | TH440-T4*4T60*E*4T65E | 22 |
| 88 | V/6 3.8L/3.8L (SC) | 97-99 | TH440-T4*4T60*E*4T65E | 22 |
| 98 | various | 72-76 | TH400*3L80*375*425 | 168 |
| 98 | various | 74-80 | TH400*3L80*375*425 | 168 |
| 98 | various | 77-81 | TH200*C | 140 |
| 98 | various | 77-82 | TH350*C*TH250*C | 160 |
| 98 | various | 80-83 | TH350*C*TH250*C | 160 |
| 98 | various | 81-84 | TH200-4R | 146 |
| 98 | various | 85-91 | TH440-T4*4T60*E*4T65E | 22 |
| 98 | various | 91-96 | TH440-T4*4T60*E*4T65E | 22 |
| Achieva | L/4 2.3L | 92-96 | TH125*C*3T40 | 2 |
| Achieva | L/4 2.3L/2.4L/3.1L | 94-98 | TH440-T4*4T60*E*4T65E | 22 |
| Alero | L/4 2.2L/2.4L | 99-04 | 4T40E*4T45E | 10 |
| Alero | V/6 3.4L | 99-04 | 4T40E*4T45E | 10 |
| Aurora | V/8 4.0L | 95-03 | 4T80E | 34 |
| Aurora | V/6 3.5L | 01-02 | TH440-T4*4T60*E*4T65E | 22 |
| Bravada | V/6 4.3L | 91-92 | TH700-R4*4L60*E*65E*70E*75E | 174 |
| Bravada | L/6 4.2L V/6 4.3L | 95-04 | TH700-R4*4L60*E*65E*70E*75E | 174 |
| Calais | L/4 2.2L | 85-87 | TH125*C*3T40 | 2 |
| Ciera | L/4 2.5L V/6 2.8L | 96-96 | TH125*C*3T40 | 2 |
| Ciera | V/6 3.1L | 96-96 | TH440-T4*4T60*E*4T65E | 22 |
| Custom Cruiser | various | 74-80 | TH400*3L80*375*425 | 168 |
| Custom Cruiser | various | 77-84 | TH350*C*TH250*C | 160 |
| Custom Cruiser | various | 77-84 | TH200*C | 140 |
| Custom Cruiser | various | 81-90 | TH200-4R | 146 |
| Custom Cruiser | various | 91-92 | TH700-R4*4L60*E*65E*70E*75E | 174 |
| Cutlass | various | 73-73 | TH400*3L80*375*425 | 168 |
| Cutlass | various | 73-77 | TH400*3L80*375*425 | 168 |
| Cutlass | various | 73-84 | TH350*C*TH250*C | 160 |
| Cutlass | various | 78-87 | TH200*C | 140 |
| Cutlass | various | 83-88 | TH200-4R | 146 |
| Cutlass | various | 90-92 | TH440-T4*4T60*E*4T65E | 22 |
| Cutlass | various | 92-99 | TH440-T4*4T60*E*4T65E | 22 |
| Cutlass | V/6 3.1L | 97-99 | 4T40E*4T45E | 10 |
| Cutlass Calais | L/4 2.2L | 88-91 | TH125*C*3T40 | 2 |
| Cutlass Ciera | L/4 2.0L | 82-95 | TH125*C*3T40 | 2 |
| Cutlass Ciera | various | 84-93 | TH440-T4*4T60*E*4T65E | 22 |
| Cutlass Ciera | V/6 3.1L | 94-95 | TH440-T4*4T60*E*4T65E | 22 |
| Cutlass Cruiser | L/4 2.2L | 84-94 | TH125*C*3T40 | 2 |
| Cutlass Cruiser | various | 84-93 | TH440-T4*4T60*E*4T65E | 22 |
| Cutlass Cruiser | V/6 3.1L | 93-95 | TH440-T4*4T60*E*4T65E | 22 |
| Cutlass Supreme | various | 88-93 | TH440-T4*4T60*E*4T65E | 22 |
| Cutlass Supreme | various | 90-93 | TH125*C*3T40 | 2 |
| Cutlass Supreme | V/6 3.1L/3.4L | 92-97 | TH440-T4*4T60*E*4T65E | 22 |
| Delta 88 | various | 74-80 | TH400*3L80*375*425 | 168 |
| Delta 88 | various | 77-84 | TH350*C*TH250*C | 160 |
| Delta 88 | various | 77-85 | TH200*C | 140 |
| Delta 88 | various | 81-85 | TH200-4R | 146 |
| Delta 88 | various | 86-88 | TH440-T4*4T60*E*4T65E | 22 |
| Firenza | L/4 2.2L | 82-88 | TH125*C*3T40 | 2 |
| Intrigue | V/6 3.5L/3.8L | 98-02 | TH440-T4*4T60*E*4T65E | 22 |
| LSS | various | 96-97 | TH440-T4*4T60*E*4T65E | 22 |

VEHICLE TO TRANSMISSION INDEX

| MODEL NAME | ENGINE | YEAR | TRANSMISSION | PAGE |
|------------------------|---------------------|-------|------------------------------------|------|
| LSS | various | 97-99 | TH440-T4•4T60•E•4T65E | 22 |
| Omega | various | 73-79 | TH350•C•TH250•C | 160 |
| Omega | various | 76-77 | TH200•C | 140 |
| Omega | various | 80-84 | TH125•C•3T40 | 2 |
| Regency | V/6 3.8L | 97-98 | TH440-T4•4T60•E•4T65E | 22 |
| Silhouette | V/6 3.1L | 90-95 | TH125•C•3T40 | 2 |
| Silhouette | V/6 3.4L/3.8L | 92-98 | TH440-T4•4T60•E•4T65E | 22 |
| Silhouette | V/6 3.4L | 99-04 | TH440-T4•4T60•E•4T65E | 22 |
| Starfire | various | 75-80 | TH350•C•TH250•C | 160 |
| Starfire | various | 76-77 | TH350•C•TH250•C | 160 |
| Starfire | various | 76-80 | TH200•C | 140 |
| Toronado | 425 CID | 66-78 | TH400•3L80•375•425 | 168 |
| Toronado | various | 79-81 | TH325•TH325-4L | 16 |
| Toronado | various | 82-85 | TH325•TH325-4L | 16 |
| Toronado | various | 85-90 | TH440-T4•4T60•E•4T65E | 22 |
| Toronado | various | 91-92 | TH440-T4•4T60•E•4T65E | 22 |
| OPEL | | | | |
| 1900 Ascona | n/a | 69-82 | TH180•C•4L30-E | 134 |
| Ascona | n/a | 80-06 | TH125•C•3T40 | 2 |
| Commodore | 2.2L/2.5L/2.8L | 67-83 | TH180•C•4L30-E | 134 |
| Frontera | n/a | 96-04 | TH180•C•4L30-E | 134 |
| Kadette | L/4 2.1L | 67-73 | TH180•C•4L30-E | 134 |
| Kadette | various | 76-79 | TH200•C | 140 |
| Kadette 1300/1600 | n/a | 81-93 | TH125•C•3T40 | 2 |
| Manta/Manta1800/diesel | 1.9L/2.0L | 75-82 | TH180•C•4L30-E | 134 |
| Monteray | various | 92-00 | TH180•C•4L30-E | 134 |
| Monza | 3.0L | 78-84 | TH180•C•4L30-E | 134 |
| Olympia | n/a | 78-84 | TH180•C•4L30-E | 134 |
| Omega-A | 2.0L/2.4L/2.6L/3.0L | 87-93 | TH180•C•4L30-E | 134 |
| Omega-B | 2.2L/2.6L/3.2L | 94-05 | TH180•C•4L30-E | 134 |
| Rekord | various | 67-86 | TH180•C•4L30-E | 134 |
| Senator | 2.0L/2.2L/2.8L/3.0L | 78-84 | TH180•C•4L30-E | 134 |
| Senator-B | 2.6L/3.0L | 88-94 | TH180•C•4L30-E | 134 |
| Senator/Monza/GSA | n/a | 84-90 | A40•41•42•AW70•71•A44D•DL•DE•A46DE | 226 |
| Vectra | n/a | 92-05 | AW50-40•AW50-42LE | 70 |
| PONTIAC | | | | |
| 604 | L/4 2.7L/2.8L | 77-79 | TH180•C•4L30-E | 134 |
| PONTIAC | | | | |
| 2000 | various | 83-84 | TH125•C•3T40 | 2 |
| 6000 | various | 82-91 | TH125•C•3T40 | 2 |
| 6000 | various | 85-91 | TH440-T4•4T60•E•4T65E | 22 |
| Aztec | V/6 3.4L | 01-05 | TH440-T4•4T60•E•4T65E | 22 |
| Bonneville | various | 69-83 | TH350•C•TH250•C | 160 |
| Bonneville | various | 74-77 | TH400•3L80•375•425 | 168 |
| Bonneville | various | 77-86 | TH200•C | 140 |
| Bonneville | various | 81-86 | TH200-4R | 146 |
| Bonneville | various | 84-86 | TH700-R4•4L60•E•65E•70E•75E | 174 |
| Bonneville | various | 87-91 | TH440-T4•4T60•E•4T65E | 22 |
| Bonneville | V/6 3.8L | 92-97 | TH440-T4•4T60•E•4T65E | 22 |
| Bonneville | V/6 3.8L/3.8L (SC) | 97-05 | TH440-T4•4T60•E•4T65E | 22 |
| Bonneville | V/8 4.6L | 04-05 | 4T80E | 34 |
| Catalina | various | 69-81 | TH350•C•TH250•C | 160 |
| Catalina | various | 74-77 | TH400•3L80•375•425 | 168 |
| Catalina | various | 77-81 | TH200•C | 140 |

VEHICLE TO TRANSMISSION INDEX

INDEX

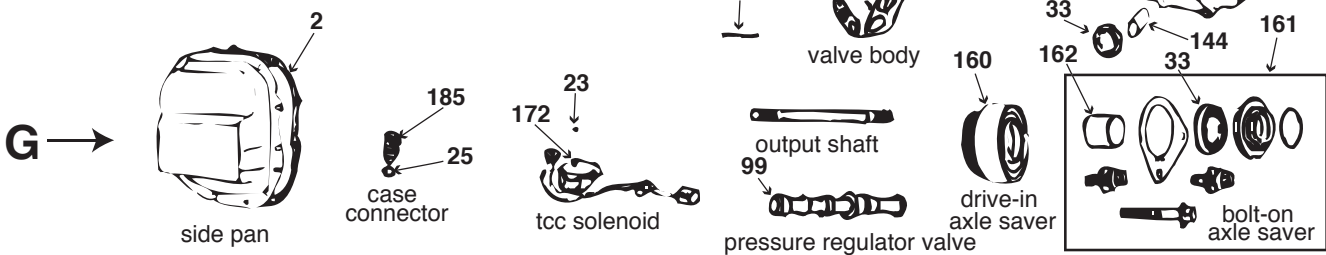
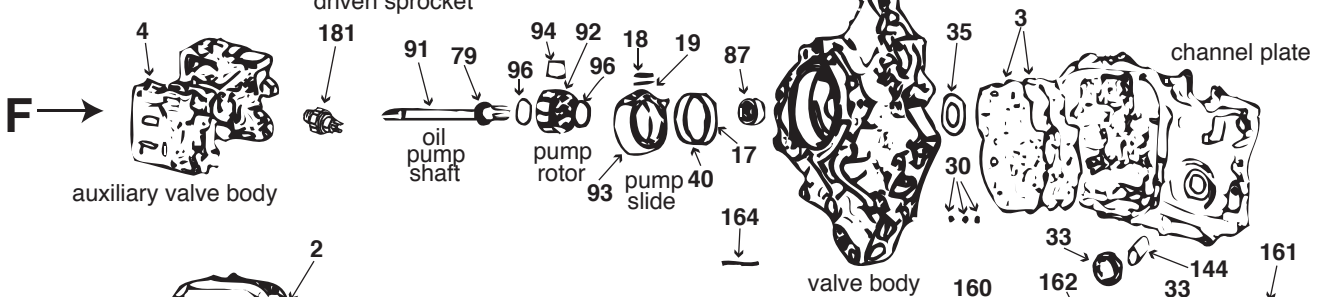
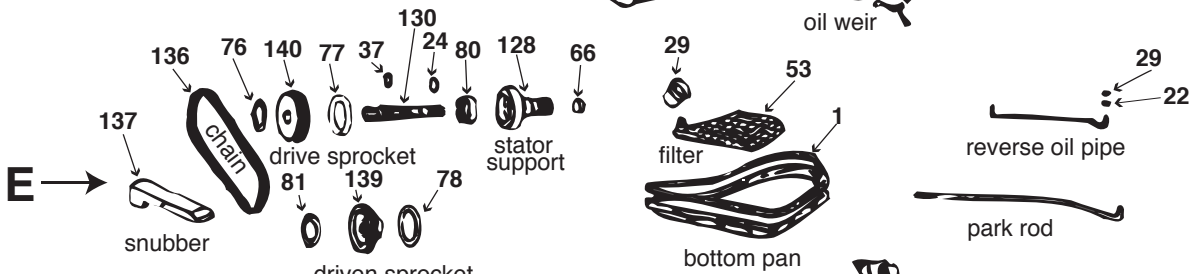
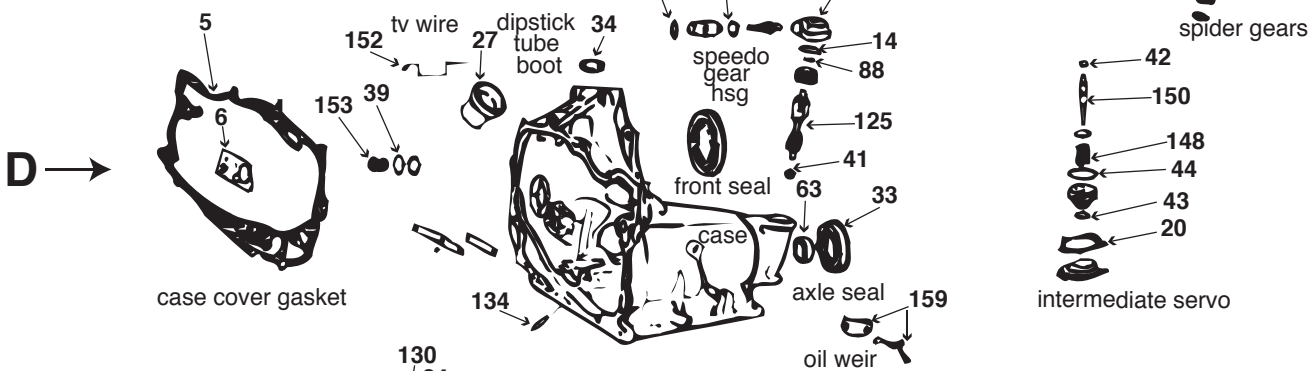
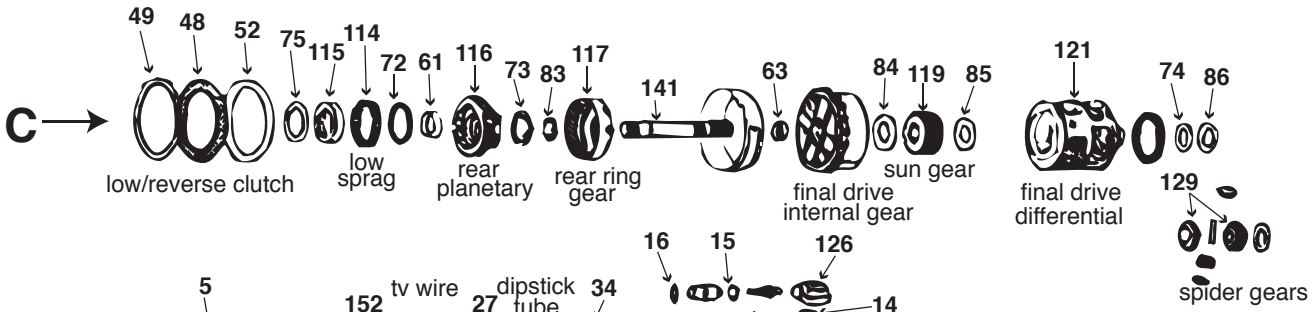
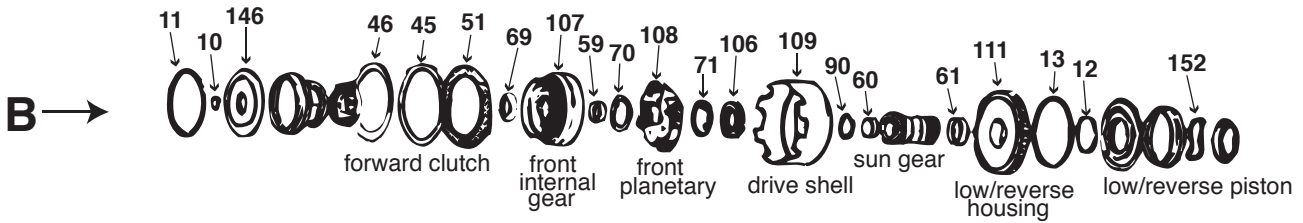
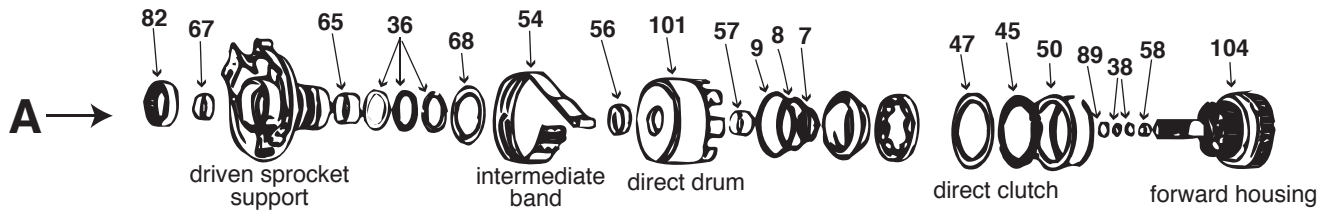
| MODEL NAME | ENGINE | YEAR | TRANSMISSION | PAGE |
|----------------|-------------------------|-------|-----------------------------|------|
| Catalina | various | 81-81 | TH200-4R | 146 |
| Fiero | various | 84-88 | TH125•C•3T40 | 2 |
| Firebird | various | 67-76 | TH400•3L80•375•425 | 168 |
| Firebird | various | 69-81 | TH350•C•TH250•C | 160 |
| Firebird | various | 77-83 | TH200•C | 140 |
| Firebird | various | 83-93 | TH700-R4•4L60•E•65E•70E•75E | 174 |
| Firebird | V/6 3.4L/3.8L V/8 5.7L | 93-02 | TH700-R4•4L60•E•65E•70E•75E | 174 |
| G5 | L/4 2.2L/2.4L | 07-08 | 4T40E•4T45E | 10 |
| G6 | L/4 2.4L V/6 3.5L | 05-08 | 4T40E•4T45E | 10 |
| G6 | V/6 3.9L | 06-09 | TH440-T4•4T60•E•4T65E | 22 |
| G6 | V/6 3.6L | 07-09 | 6T70E•6T75E | 44 |
| G6 | L/4 2.4L | 09-09 | 6T40E•6T45E | 40 |
| G8 GT | V/8 6.0L | 08-09 | 6L80E | 206 |
| G8 GXP | V/6 3.6L | 08-09 | 4L40E•5L40E•50E | 196 |
| G8 GXP | V/8 6.2L | 09-09 | 6L80E | 206 |
| Grand Am | various | 85-95 | TH125•C•3T40 | 2 |
| Grand Am | L/4 2.4L V/6 3.1L | 94-98 | TH440-T4•4T60•E•4T65E | 22 |
| Grand Am | L/4 2.2L/2.4L | 99-06 | 4T40E•4T45E | 10 |
| Grand Am | V/6 3.4L | 99-05 | 4T40E•4T45E | 10 |
| Grand Prix | various | 69-77 | TH400•3L80•375•425 | 168 |
| Grand Prix | various | 76-83 | TH350•C•TH250•C | 160 |
| Grand Prix | various | 77-87 | TH200•C | 140 |
| Grand Prix | various | 80-84 | TH350•C•TH250•C | 160 |
| Grand Prix | various | 84-87 | TH200-4R | 146 |
| Grand Prix | various | 84-86 | TH700-R4•4L60•E•65E•70E•75E | 174 |
| Grand Prix | various | 88-92 | TH440-T4•4T60•E•4T65E | 22 |
| Grand Prix | various | 89-93 | TH125•C•3T40 | 2 |
| Grand Prix | V/6 3.1L/3.4L/3.8L | 91-99 | TH440-T4•4T60•E•4T65E | 22 |
| Grand Prix | V/6 3.1L/3.8L/3.8L (SC) | 97-08 | TH440-T4•4T60•E•4T65E | 22 |
| GTO | 389/421 CID | 64-68 | TH400•3L80•375•425 | 168 |
| GTO | V/8 5.7L | 04-04 | TH700-R4•4L60•E•65E•70E•75E | 174 |
| GTO | V/8 6.0L | 05-06 | TH700-R4•4L60•E•65E•70E•75E | 174 |
| J2000 (import) | various | 82-88 | TH125•C•3T40 | 2 |
| LeMans | various | 72-81 | TH350•C•TH250•C | 160 |
| LeMans | various | 72-77 | TH400•3L80•375•425 | 168 |
| LeMans | various | 78-81 | TH200•C | 140 |
| LeMans | various | 88-93 | TH125•C•3T40 | 2 |
| Montana/SV6 | V/6 3.4L/3.5L/3.9L | 99-08 | TH440-T4•4T60•E•4T65E | 22 |
| Parisienne | various | 83-86 | TH200•C | 140 |
| Parisienne | various | 83-84 | TH350•C•TH250•C | 160 |
| Parisienne | various | 84-86 | TH200-4R | 146 |
| Parisienne | various | 84-88 | TH700-R4•4L60•E•65E•70E•75E | 174 |
| Phoenix | various | 77-79 | TH200•C | 140 |
| Phoenix | various | 77-79 | TH350•C•TH250•C | 160 |
| Phoenix | various | 80-84 | TH125•C•3T40 | 2 |
| Pursuit | L/4 2.2L/2.4L | 06-06 | 4T40E•4T45E | 10 |
| Safari | various | 87-89 | TH200-4R | 146 |
| Safari | various | 88-89 | TH700-R4•4L60•E•65E•70E•75E | 174 |
| Solstice | L/4 2.0L/2.4L | 06-09 | 4L40E•5L40E•50E | 196 |
| Sunbird | various | 76-77 | TH350•C•TH250•C | 160 |
| Sunbird | various | 76-80 | TH200•C | 140 |
| Sunbird | various | 76-80 | TH350•C•TH250•C | 160 |
| Sunbird | various | 85-94 | TH125•C•3T40 | 2 |
| Sunfire | L/4 2.2L | 95-01 | TH125•C•3T40 | 2 |

VEHICLE TO TRANSMISSION INDEX

| MODEL NAME | ENGINE | YEAR | TRANSMISSION | PAGE |
|---------------------------|--------------------|-------|--|------|
| Sunfire | L/4 2.2L/2.3L/2.4L | 95-05 | 4T40E•4T45E | 10 |
| T1000 | various | 81-87 | TH180•C•4L30-E | 134 |
| T1000 | various | 83-83 | TH200•C | 140 |
| Tempest | various | 64-69 | TH300•ST300 | 156 |
| Tempest | various | 67-71 | TH400•3L80•375•425 | 168 |
| Tempest | various | 69-71 | TH350•C•TH250•C | 160 |
| Torrent | V/6 3.4L | 06-09 | AW55-50SN•AF33-5•AF23-5• RE5F22A•AW235 | 76 |
| Torrent | V/6 3.6L | 09-09 | 6T70E•6T75E | 44 |
| TransSport | various | 90-95 | TH125•C•3T40 | 2 |
| TransSport | V/6 3.4L/3.8L | 92-98 | TH440-T4•4T60•E•4T65E | 22 |
| Ventura | various | 71-77 | TH350•C•TH250•C | 160 |
| Ventura | various | 76-77 | TH200•C | 140 |
| Vibe | L/4 1.8L | 03-07 | U340E•U341E•F•MU5 | 112 |
| Vibe | L/4 1.8L | 03-08 | A245E•A246E•A247E | 102 |
| Vibe | L/4 1.8L/2.4L | 08-09 | U250E | 106 |
| SATURN | | | | |
| Astra | L/4 1.8L | 08-09 | AW60-40LE•41SN•AF13•17-AS17-4 | 80 |
| Aura Hybrid | L/4 2.4L | 07-08 | 4T40E•4T45E | 10 |
| Aura XE | V/6 3.5L | 07-08 | 4T40E•4T45E | 10 |
| Aura XR | V/6 3.6L | 07-09 | 6T70E•6T75E | 44 |
| Ion | L/4 2.2L/2.4L | 05-07 | 4T40E•4T45E | 10 |
| Ion Quad Coupe | L/4 2.2L | 03-04 | VT25-E | 56 |
| Ion Sedan | L/4 2.2L | 03-04 | AW55-50SN•AF33-5•AF23-5• RE5F22A•AW235 | 76 |
| L Series | L/4 2.2L | 00-06 | 4T40E•4T45E | 10 |
| L Series | V/6 3.0L | 00-05 | 4T40E•4T45E | 10 |
| Outlook | V/6 3.6L | 07-09 | 6T70E•6T75E | 44 |
| Relay | V/6 3.5L/3.9L | 05-07 | TH440-T4•4T60•E•4T65E | 22 |
| S Series | L/4 1.9L | 91-02 | TAAT | 52 |
| Sky | L/4 2.0L/2.4L | 07-09 | 4L40E•5L40E•50E | 196 |
| Sky Redline | L/4 2.0L/2.4L | 07-09 | 4L40E•5L40E•50E | 196 |
| Vue | L/4 2.2L | 02-05 | VT25-E | 56 |
| Vue | V/6 3.0L | 02-03 | AW55-50SN•AF33-5•AF23-5• RE5F22A•AW235 | 76 |
| Vue | V/6 3.5L | 04-07 | MDRA•MJ7-8 | 60 |
| Vue | L/4 2.2L | 05-08 | 4T40E•4T45E | 10 |
| Vue | V/6 3.5L/3.6L | 09-09 | 6T70E•6T75E | 44 |
| Vue Hybrid | L/4 2.4L | 07-08 | 4T40E•4T45E | 10 |
| Vue Hybrid | V/6 3.6L | 09-10 | 2MT70•2-MODE | 50 |
| TRUCKS & BUSES | | | | |
| 1 1/2 to 2 Ton | various | 70-90 | AT540•AT545 | 216 |
| 1 1/2 to 2 Ton | various | 92-10 | Allison 1000•2000•2400 | 220 |
| NOTES | | | | |
| | | | | |
| | | | | |
| | | | | |
| | | | | |
| | | | | |
| | | | | |
| | | | | |
| | | | | |
| | | | | |
| | | | | |
| | | | | |
| | | | | |
| | | | | |
| | | | | |
| | | | | |
| | | | | |
| | | | | |
| | | | | |
| | | | | |

Miscellaneous

| ADVERTISERS | PRODUCTS | PAGE |
|--------------------|----------------------------------|-------------|
| Life Products | oil and oil additives | front cover |
| Transtec | gaskets/seals/rings | rear cover |
| Rostra | electrical products | 9 |
| Alto | frictions/steels | 49 |
| ATSG | repair manuals | 55 |
| Muscle | oil additives | 59 |
| LubeGard | oil and oil additives | 65 |
| Superior | valve body repair | 69 |
| Teckpak | speciality products | 75 |
| Transgo | valve body repair | 85 |
| Toledo | electrical and hard parts | 93 |
| GFX | hard parts and electrical | 97 |
| Filtran | rings/filters/grease | 101 |
| Sonnax | valve body repair and hard parts | 105 |
| Dacco | converters and hard parts | 111 |
| Loctite | sealants | 117 |
| Line Card | A & Reds | 129 |
| A & Reds | transfer case gaskets | 139 |
| Conversion | engines | 155 |
| A & Reds | number system | 159 |
| A & Reds | paint | 195 |
| A & Reds | engine hanger parts | 219 |
| A & Reds | engine hanger | 235 |
| A & Reds | speedo problems | 239 |
| A & Reds | decimal chart | 245 |
| A & Reds | disclaimer | 255 |
| BorgWarner | electrical and frictions | 256 |
| | | |
| | | |
| | | |
| | | |



TH125 51000

| ILL | DESCRIPTION | QTY | YEAR | REFERENCE # | PART # |
|--------------------------------------|----------------------------------|-----|-------|-------------|-----------|
| TECHNICAL MANUALS | | | | | |
| K53 | Tech manual TH125/C dis/assembly | 1 | 80-06 | 83-125TM | 010-301 |
| K53 | Update handbook TH125/C parts | 1 | 82-89 | 83-125TM-U1 | 010-310 |
| REBUILDER KITS | | | | | |
| K4 | Master deluxe rebuild kit | 1 | 80-84 | AE | K5100-R |
| K4 | Master deluxe rebuild kit | 1 | 84-91 | AE | K5100A-R |
| K4 | Master deluxe rebuild kit | 1 | 92-06 | AE | K5100B-R |
| K5 | Master kit w/steels | 1 | 80-84 | AE | K5100 |
| K5 | Master kit w/steels | 1 | 84-91 | AE | K5100A |
| K5 | Master kit w/steels | 1 | 92-06 | AE | K5100B |
| K6 | Master kit w/o steels | 1 | 80-84 | AE | K5100-LS |
| K6 | Master kit w/o steels | 1 | 84-91 | AE | K5100A-LS |
| K6 | Master kit w/o steels | 1 | 92-06 | AE | K5100B-LS |
| K7 | O/H gasket set w/seals-rings | 1 | 80-85 | AE | K51900 |
| K7 | O/H gasket set w/seals-rings | 1 | 86-06 | AE | K51900A |
| K8 | External seal kit | 1 | 80-06 | AE | K51900-2 |
| K11 | Gasket and seal kit | 1 | 80-85 | AE | K51900-1 |
| K11 | Gasket and seal kit | 1 | 86-06 | AE | K51900A-1 |
| VALVE BODY KITS | | | | | |
| K15 | Shift Kit® | 1 | 80-06 | SK® 125 | K51908 |
| K15 | Shift Correction Package | 1 | 80-06 | K125 | S51908 |
| GASKETS AND RUBBER COMPONENTS | | | | | |
| E1 | Gasket, oil pan | 1 | 80-06 | 8643572 | 13990X |
| E1 | Gasket, oil pan | 1 | 80-06 | 8660038 | 13990D |
| G2 | Gasket, side cover | 1 | 80-06 | 8643573 | 13991X |
| G2 | Gasket, side cover | 1 | 80-06 | 8660039 | 13991D |
| F3 | Gasket, valve body | 2 | 80-06 | 8652065 | 13750 |
| F4 | Gasket, valve body | 1 | 82-84 | 8653947 | 13765 |
| F4 | Gasket, valve body | 1 | 84-86 | 8643863 | 13765A |
| F4 | Gasket, valve body | 1 | 88-06 | 86644847 | 13765B |
| F4 | Gasket, valve body | 1 | 87-06 | 8666380 | 13765C |
| D5 | Gasket, channel plate | 1 | 80-06 | 8631756 | 13751 |
| D6 | Gasket, channel plate | 1 | 80-06 | 8660775 | 13752 |
| A7 | Lip seal | 1 | 80-06 | 8631403 | 13753 |
| A8 | Lip seal | 1 | 80-06 | 8631014 | 13754 |
| A9 | Lip seal | 1 | 80-06 | 8631592 | 13755 |
| B10 | Lip seal | 1 | 80-06 | 8631986 | 13756 |
| B11 | Lip seal | 1 | 80-85 | 8631013 | 13757 |
| B11 | Lip seal | 1 | 86-06 | 8631986 | 13757A |
| B12 | Lip seal | 1 | 80-86 | 8631074 | 13758 |
| B12 | Lip seal | 1 | 87-06 | 8643548 | 13758A |
| B13 | Lip seal | 1 | 80-06 | 8631547 | 13759 |
| D14 | O'ring | 1 | 80-06 | 8660545 | 13760 |
| D15 | O'ring | 1 | 80-06 | 25501478 | 3718L |
| D16 | Lip seal w/o spring | 1 | 80-06 | 1240382 | 3991LS |
| D16 | Lip seal w/spring | 1 | 80-06 | 1240382HD | 3991L |
| F17 | O'ring | 1 | 80-06 | 8631504 | 13761 |
| F18 | Seal (rubber) | 1 | 80-06 | 8631283 | 13762 |
| F19 | Seal (teflon) | 1 | 80-06 | 8631877 | 13768 |
| D20 | Gasket, servo cover | 1 | 80-06 | 8631698 | 13763 |
| E21 | Multi lip seal | 1 | 80-06 | 8652898 | 13771 |
| E22 | O'ring | 1 | 80-06 | 8631331 | 13764 |
| G23 | O'ring | 1 | 82-06 | 8630052 | 13918 |
| E24 | O'ring (teflon coated/green) | 1 | 82-06 | 8662686 | 13766 |

TH125•125•TH125C•3T40

TH125•C•3T40

| ILL | DESCRIPTION | QTY | YEAR | REFERENCE # | PART # |
|--|--|------|-------|-------------|---------|
| GASKETS AND RUBBER COMPONENTS (CONTINUED) | | | | | |
| D27 | Multi lip seal (boot) oil filler tube to case | 1 | 80-06 | 1259475 | 13925 |
| E29 | Seal, metal clad low/reverse housing to case | 1 | 80-06 | 8628209 | 13969 |
| F30 | Ball, check (1/4" steel) 1/4" steel | 6 | 80-06 | 8631975 | 13924S |
| D43 | Lip seal intermediate servo (inner) | 1 | 86-06 | 8652444 | 13719 |
| D43 | Lip seal intermediate servo (inner) | 1 | 86-06 | 8652445 | 13719A |
| D43 | Lip seal intermediate servo (inner) | 1 | 86-06 | 8652443 | 13719B |
| D44 | Lip seal intermediate servo (outer) | 1 | 86-06 | 8652446 | 13720 |
| n/i | Multi lip seal (boot) TV cable | 1 | 80-06 | 25518260 | 13581 |
| n/i | Washer, coated front pump bolt (inside bell housing) | 2 | 80-81 | 862681 | 13268A |
| n/i | Kit, speed sensor contains O'ring and gasket | 1 | 85-06 | 4845 | 24010 |
| METAL CLAD SEALS | | | | | |
| D32 | Seal, metal clad front | 1 | 80-06 | 8685515 | 51200A |
| DF33 | Seal, metal clad right and left axle | 2 | 80-06 | 8666007 | 51201 |
| G33 | Seal, metal clad for right axle stabilizer oem bolt on type | 1 | 80-06 | 8643935 | 51201C |
| G33 | Seal, metal clad 1.950" od (not in kit) for axle stabilizer drive in type (51731S) | 1 | 80-06 | 235728-3 | 47201A |
| G33 | Seal, metal clad for axle stabilizer drive in type-Teckpak | 1 | 80-06 | TC-1.375 | 51204 |
| D34 | Seal, metal clad .761x.400x.291" manual lever shaft | 1 | 80-83 | 8637590 | 51202 |
| D34 | Seal, metal clad manual lever shaft | 1 | 84-06 | 8644709 | 51202A |
| F35 | Seal, metal clad oil pump shaft 1st design | 1 | 80-84 | 8637569 | 51203 |
| SEALING RINGS | | | | | |
| K10 | Kit, sealing ring teflon | 1 | 80-06 | AE | K51903T |
| K10 | Kit, sealing ring teflon and metal | 1 | 80-06 | AE | K51903A |
| A36 | Ring, sealing (teflon) driven sprocket support | 3 | 80-06 | 8652535 | 51300T |
| A36 | Ring, sealing (metal) driven sprocket support | 3 | 80-06 | 8652535 | 51300 |
| E37 | Ring, sealing (teflon) turbine shaft (3 in early 1980) | 1/3 | 80-81 | 8631211 | 51301T |
| E37 | Ring, sealing (teflon) solid turbine shaft (rear) | 2 | 81-06 | 8643058 | 51307T |
| E37 | Ring, sealing (teflon) solid turbine shaft (front) | 1 | 82-06 | 8637170 | 51310T |
| A38 | Ring, sealing (teflon) input shaft | 2 | 80-06 | 8631048 | 51302T |
| A38 | Ring, sealing (metal) input shaft | 2 | 80-06 | 8631048 | 51302 |
| D39 | Ring, sealing (teflon) 1-2 accumulator piston | 1 | 80-88 | 8631895 | 51303T |
| D39 | Ring, sealing (metal) 1-2 accumulator piston | 1 | 80-88 | 8631895 | 51303 |
| D39 | Seal, lathe cut 1-2 accumulator piston | 1 | 88-06 | 8665807 | 13722 |
| F40 | Ring, sealing (teflon) pump slide to aux valve body | 1 | 80-06 | 8631417 | 51305T |
| D41 | Ring, sealing (teflon) governor shaft | 1 | 80-06 | 8632588 | 32315T |
| D42 | Ring, sealing (teflon) intermediate band apply pin | 1 | 80-06 | 8631105 | 51306T |
| D43 | Ring, sealing (teflon) intermediate servo piston (inner) | 1 | 80-81 | 8631468 | 51304T |
| D43 | Ring, sealing (teflon) intermediate servo piston (inner) | 1 | 82-85 | 8631469 | 51312T |
| D43 | Ring, sealing (teflon) intermediate servo piston (inner) | 1 | 82-85 | 8631470 | 51309T |
| D44 | Ring, sealing (teflon) intermediate servo piston (outer) | 1 | 80-85 | 8631473 | 32309T |
| CLUTCH PLATES | | | | | |
| AB45 | Friction .080" 4.64" od 32T forward/direct clutch | 8 | 80-84 | 8652409 | 51103 |
| AB45 | Friction .069" 4.64" od 32T forward/direct clutch | 8/10 | 84-06 | 8643741 | 51103A |
| B46 | Steel, waved .050" 3.520" id 26T forward clutch (cushion) | 1/2 | 80-06 | 8665319 | 51105 |
| B46 | Steel .080" 3.520" id 26T forward clutch | 3/4 | 80-91 | 8683084 | 51100 |
| B46 | Steel .050" 3.520" id 26T forward clutch | 4 | 92-06 | 8631379 | 66100 |
| A47 | Steel .090" 3.520" id 24T direct clutch | 4 | 80-06 | 8631026 | 51104 |
| A47 | Steel .100" 3.520" id 24T direct clutch oversize | ar | 80-06 | 8631026O | 51104X |
| C48 | Friction .080" 5.37" od 40T low/reverse clutch | 5 | 80-84 | 8652029 | 51506 |
| C48 | Friction .090" 5.37" od 40T low/reverse clutch | 5 | 84-06 | 8666667 | 51506A |
| C48 | Friction .090" 5.37" od 40T low/reverse clutch | 5 | 92-06 | 8666661 | 51506B |
| C49 | Steel .080" 4.38" id 11T low/reverse clutch | 5 | 80-84 | 8631079 | 51101 |
| C49 | Steel .088" 4.38" id 11T low/reverse clutch | 5 | 84-06 | 8652027 | 51101B |
| C49 | Steel, waved .078" 4.38" id 11T low/reverse clutch (cushion) | 1/2 | 80-06 | 8664141 | 51101A |

| ILL | DESCRIPTION | QTY | YEAR | REFERENCE # | PART # |
|-------------------------------------|--|-----|-------|-------------|----------|
| PRESSURE PLATES | | | | | |
| A50 | Pressure plate 4.74-4.84mm step type direct clutch | 1 | 85-06 | 8652562 | 51714D-R |
| A50 | Pressure plate .192" 4.89-4.99mm direct clutch | 1 | 80-84 | 8658146 | 51714-R |
| B51 | Pressure plate 4.59-4.69mm forward clutch | sel | 80-86 | 8637882 | 51714C-R |
| B51 | Pressure plate 5.29-5.39mm forward clutch | sel | 80-86 | 8637881 | 51714B-R |
| B51 | Pressure plate 5.98-6.08mm forward clutch | sel | 80-86 | 8637883 | 51714A-R |
| B51 | Pressure plate .126"-.132" code D/9 forward clutch | sel | 87-06 | 88664163 | 51714E-R |
| B51 | Pressure plate .154"-.148" code C/8 forward clutch | sel | 87-06 | 8664162 | 51714F-R |
| B51 | Pressure plate .175"-.170" code B/7 forward clutch | sel | 87-06 | 8664157 | 51714G-R |
| B51 | Pressure plate .197"-.191" code A/6 forward clutch | sel | 87-06 | 8664156 | 51714H-R |
| C52 | Pressure plate .278" 7.05mm low/reverse | 1 | 80-96 | 8631091 | 51716-R |
| FILTERS | | | | | |
| K9 | Kit, filter neoprene/cork | 1 | 80-06 | AE | FK51710 |
| K9 | Kit, filter Duraprene® | 1 | 80-06 | AE | DK51710 |
| E53 | Filter TH125/C | 1 | 80-06 | 8652910 | 51710 |
| n/i | Screen, filter lock-up/TCC (located in aux valve body) | 1 | 87-06 | 8664811 | 51712 |
| BANDS | | | | | |
| A54 | Band 1.74" wide intermediate brake | 1 | 82-06 | 8637623 | 51700G |
| A54 | Band 1.74" wide (high energy) intermediate brake | 1 | 94-06 | 8685538 | 51700H |
| n/i | Plug, band anchor TH125/C | 1 | 80-06 | 8637640 | 51640 |
| BUSHINGS | | | | | |
| K13 | Kit, bushing TH125 | 1 | 80-81 | AE | K51901 |
| K13 | Kit, bushing TH125C | 1 | 82-06 | AE | K51901A |
| A56 | Bushing direct drum (front) | 1 | 80-06 | 8631902 | 51006 |
| A57 | Bushing direct drum (rear) | 1 | 80-06 | 8631901 | 51007 |
| A58 | Bushing (bronze) forward housing (front) | 1 | 80-06 | 8631903 | 51008 |
| B59 | Bushing front internal gear (ring gear) | 1 | 80-06 | 8631904 | 51009 |
| B60 | Bushing sun gear (rear planetary) | 1 | 80-06 | 8631906 | 51010 |
| BC61 | Bushing low/reverse housing and rear planetary | 2 | 80-06 | 8631905 | 51011 |
| CD63 | Bushing final drive internal gear and case | 2 | 80-06 | 8631119 | 51013 |
| A65 | Bushing driven sprocket support | 1 | 80-06 | 8631900 | 51004 |
| E66 | Bushing (bronze) drive sprocket support | 1 | 80-06 | 8628915 | 32006 |
| A67 | Sleeve, repair driven sprocket support | 1 | 80-06 | 75872 | 51643 |
| n/i | Bushing converter hub (w/o lock-up) | 1 | 80-81 | 8637904 | 51005 |
| n/i | Bushing converter hub (w/lock-up) | 1 | 82-06 | 8637905 | 51005A |
| WASHERS/BEARINGS/RACES/SHIMS | | | | | |
| K12 | Kit, thrust bearing TH125/C | 1 | 80-06 | AE | K51906 |
| K14 | Kit, thrust washer w/o selectives and bearings | 1 | 80-06 | AE | K51907 |
| K14 | Kit, thrust washer front planetary (must disassemble) | 1 | 80-06 | AE | K51441 |
| K14 | Kit, thrust washer rear planetary (must disassemble) | 1 | 80-06 | AE | K51442 |
| K14 | Kit, thrust washer differential carrier to case (selectives) | 1 | 80-06 | AE | K51417 |
| K14 | Kit, thrust washer differential carrier (small pin) | 1 | 80-82 | AE | K51440 |
| K14 | Kit, thrust washer differential carrier (large pin) | 1 | 82-06 | AE | K51440A |
| K14 | Kit, thrust washer reverse housing to low race (selectives) | 1 | 80-06 | AE | K51403 |
| A68 | Thrust washer support to direct drum | 1 | 80-06 | 8631029 | 51429 |
| B69 | Thrust washer (plastic) 1.220" id input shaft (1st design) | 1 | 80-87 | 8631747 | 51473 |
| B69 | Thrust washer 1.220" id (not in kit) input shaft (2nd design)(bronze) | 1 | 80-87 | 8652759 | 51473B |
| B69 | Thrust washer 1.270" id (not in kit) input shaft (3rd design)(bronze dimple) | 1 | 88-06 | 8664762 | 51473A |
| B70 | Thrust washer front planetary to front internal gear | 1 | 80-06 | 8631063 | 51463 |
| B71 | Thrust washer front planetary to front sun gear | 1 | 80-06 | 8631062 | 51462 |
| C72 | Thrust washer low roller clutch race to rear planetary | 1 | 80-06 | 8631227 | 51427 |
| C73 | Thrust washer (metal) rear planetary to rear ring gear | 1 | 80-06 | 8628188 | 32409 |
| C74 | Thrust washer .055"-.059" 1.40-1.50mm (#0) differential carrier to bearing | sel | 80-06 | 8631420 | 51417 |
| C74 | Thrust washer .059"-.063" 1.50-1.60mm (#1) differential carrier to bearing | sel | 80-06 | 8631421 | 51417G |

TH125•125•TH125C•3T40

TH125•C•3T40

| ILL | DESCRIPTION | QTY | YEAR | REFERENCE # | PART # |
|---|--|-----|-------|-------------|---------|
| WASHERS/BEARINGS/RACES/SHIMS (CONTINUED) | | | | | |
| C74 | Washer .063"-.067" 1.60-1.70mm (#2) differential carrier to bearing | sel | 80-06 | 8631422 | 51417A |
| C74 | Washer .067"-.071" 1.70-1.80mm (#3) differential carrier to bearing | sel | 80-06 | 8631423 | 51417B |
| C74 | Washer .071"-.075" 1.80-1.90mm (#4) differential carrier to bearing | sel | 80-06 | 8631424 | 51417C |
| C74 | Washer .075"-.079" 1.90-2.00mm (#5) differential carrier to bearing | sel | 80-06 | 8631425 | 51417D |
| C74 | Washer .079"-.083" 2.00-2.10mm (#6) differential carrier to bearing | sel | 80-06 | 8631426 | 51417E |
| C74 | Washer .083"-.087" 2.10-2.20mm (#7) differential carrier to bearing | sel | 80-06 | 8631427 | 51417F |
| C74 | Thrust washer .087"-.091" 2.20-2.30mm (#8) differential carrier to bearing | sel | 80-06 | 8631428 | 51417H |
| C74 | Thrust washer .091"-.093" 2.30-2.40mm (#9) differential carrier to bearing | sel | 80-06 | 8631429 | 51417J |
| C75 | Thrust washer .039"-.043" 1.00-1.10mm (#1) low/reverse housing to race | sel | 80-06 | 8631241 | 51403 |
| C75 | Thrust washer .056"-.060" 1.42-1.52mm (#2) low/reverse housing to race | sel | 80-06 | 8631242 | 51403A |
| C75 | Thrust washer .072"-.076" 1.84-1.94mm (#3) low/reverse housing to race | sel | 80-06 | 8631243 | 51403B |
| C75 | Thrust washer .089"-.093" 2.26-2.36mm (#4) low/reverse housing to race | sel | 80-06 | 8631244 | 51403C |
| C75 | Thrust washer .105"-.109" 2.68-2.78mm (#5) low/reverse housing to race | sel | 80-06 | 8631245 | 51403D |
| C75 | Thrust washer .122"-.126" 3.10-3.20mm (#6) low/reverse housing to race | sel | 80-06 | 8631246 | 51403E |
| D76 | Thrust washer channel plate to drive sprocket | 1 | 80-06 | 8652868 | 51412 |
| E77 | Thrust washer (4 tabs) drive sprocket to support | 1 | 80-98 | 8652841 | 51413 |
| E78 | Thrust washer (plastic) red (not in kit) driven sprocket to support | 1 | 80-80 | 8631981 | 51437 |
| E78 | Thrust washer (plastic) black (not in kit) driven sprocket to support (2nd design) | 1 | 80-81 | 8631738 | 51438 |
| E78 | Thrust washer driven sprocket to support (lock-up) | 1 | 82-06 | 8637227 | 51439 |
| F79 | Spacer press on pump shaft | 1 | 80-84 | 75475 | 51414 |
| E80 | Bearing, caged (needle) drive sprocket support | 1 | 80-06 | 24205179 | 51486 |
| E81 | Bearing, thrust final drive to extension housing | 1 | 80-06 | 9436851 | 35400C |
| A82 | Bearing, caged (needle) driven sprocket support | 1 | 80-06 | 8631190 | 51490 |
| C83 | Bearing, thrust rear planetary to rear ring gear | 1 | 80-06 | 8628962 | 32409A |
| C84 | Bearing, thrust internal gear to sun gear | 1 | 80-06 | 8631116 | 51416 |
| C85 | Bearing, thrust sun gear to differential housing | 1 | 80-06 | 8628962 | 32409A |
| C85 | Bearing, thrust 2.125" od sun gear to differential housing | 1 | 82-06 | 8632504 | 51454 |
| C86 | Bearing, thrust differential housing (final drive) to case | 1 | 80-06 | 8631362 | 51461 |
| F87 | Bearing, caged pump shaft (1st design) | 1 | 80-84 | 8631277 | 51477 |
| F87 | Bearing, caged w/seal pump shaft | 1 | 85-06 | 8666375 | 51477A |
| D88 | Bearing, thrust speedo gear to governor cover | 1 | 81-06 | 8635900 | 51466A |
| D88 | Thrust washer speedo gear to governor cover | 1 | 80-81 | 8631766 | 51466 |
| SNAP RINGS | | | | | |
| A89 | Snap ring .072"-.076" 1.83-1.93mm white driven sprocket to forward drum | sel | 80-06 | 8631258 | 51415 |
| A89 | Snap ring .080"-.084" 2.03-2.13mm blue driven sprocket to forward drum | sel | 80-06 | 8631259 | 51415A |
| A89 | Snap ring .088"-.092" 2.23-2.33mm red driven sprocket to forward drum | sel | 80-06 | 8631260 | 51415B |
| A89 | Snap ring .096"-.100" 2.43-2.53mm yellow driven sprocket to forward drum | sel | 80-06 | 8631261 | 51415C |
| A89 | Snap ring .104"-.108" 2.63-2.73mm green driven sprocket to forward drum | sel | 80-06 | 8631262 | 51415D |
| B90 | Snap ring .089"-.093" 2.27-2.37mm input drum to sun gear | sel | 80-06 | 8631602 | 51418 |
| B90 | Snap ring .088"-.100" 2.24-2.54mm input drum to sun gear | sel | 80-06 | 8631603 | 51418A |
| B90 | Snap ring .103"-.107" 2.61-2.71mm input drum to sun gear | sel | 80-06 | 8631604 | 51418B |
| B90 | Snap ring .109"-.113" 2.78-2.88mm input drum to sun gear | sel | 80-06 | 8631605 | 51418C |
| B90 | Snap ring .116"-.120" 2.95-3.05mm input drum to sun gear | sel | 80-06 | 8631606 | 51418D |
| B90 | Snap ring .123"-.127" 3.12-3.22mm input drum to sun gear | sel | 80-06 | 8631607 | 51418E |
| B90 | Snap ring .130"-.133" 3.29-3.39mm input drum to sun gear | sel | 80-06 | 8631608 | 51418F |
| B90 | Snap ring .136"-.140" 3.46-3.56mm input drum to sun gear | sel | 80-06 | 8631609 | 51418G |
| n/i | Snap ring output shaft (round) | 1 | 82-06 | 7829495 | 51495 |
| PUMP PARTS AND PUMPS | | | | | |
| K43 | Set, rotor, slide and vanes 15 spline | 1 | 80-06 | 8665922 | K51800A |
| F91 | Shaft, pump (15 splines) 7.5" w/spacer use w/rotor | 1 | 80-81 | 8643768 | 51969B |
| F91 | Shaft, pump (20 splines) 7.5" w/spacer | 1 | 80-81 | 8643768 | 51969 |
| F91 | Shaft, pump (15 splines) 8.5" w/spacer heat treated | 1 | 83-85 | 8653527 | 51969A |
| F91 | Shaft, pump (15 splines) 8.5" w/thin waved spacer | 1 | 85-06 | 8652125 | 51969C |

| ILL | DESCRIPTION | QTY | YEAR | REFERENCE # | PART # |
|---|---|-----|-------|-------------|----------|
| PUMP PARTS AND PUMPS (CONTINUED) | | | | | |
| F92 | Rotor, pump (20 splines) | 1 | 80-81 | 8631497 | 51802 |
| F92 | Rotor, pump (15 splines) | 1 | 82-06 | 8637180 | 51802A |
| F93 | Slide, pump | 1 | 80-06 | 8637802 | 51803 |
| F94 | Vane, pump | 7 | 80-06 | 8631280 | 32800 |
| F96 | Ring, pump vane (solid) | 2 | 80-06 | 8631908 | 51308 |
| HARD PARTS | | | | | |
| G99 | Valve, pressure regulator | 1 | 80-06 | 8637546 | 61964 |
| A101 | Drum, direct clutch | 1 | 80-88 | 8653983 | 51928A-R |
| A101 | Drum, direct clutch | 1 | 89-06 | 8653971 | 51928B-R |
| A104 | Housing, forward clutch | 1 | 80-87 | 8653977 | 51926A-R |
| A104 | Housing, forward clutch | 1 | 88-06 | 8664982 | 51926B-R |
| B106 | Gear, sun | 1 | 80-06 | 8652644 | 51961-R |
| B107 | Gear, front internal | 1 | 80-06 | 8686410 | 51949-R |
| B108 | Planetary | 1 | 80-06 | 8631681 | 51981-R |
| B109 | Shell, drive | 1 | 80-81 | 8637415 | 51929-R |
| B109 | Shell, drive | 1 | 82-06 | 8652435 | 51929A-R |
| B111 | Housing, low/reverse clutch | 1 | 80-83 | 8653915 | 51944-R |
| B111 | Housing, low/reverse clutch | 1 | 84-06 | 8660814 | 51944A-R |
| C115 | Race, inner | 1 | 80-06 | 8631093 | 51993-R |
| C116 | Planetary | 1 | 80-06 | 8683633 | 51982-R |
| C117 | Gear, rear ring | 1 | 80-06 | 8631097 | 51997-R |
| C119 | Gear, sun (38T) | 1 | 80-06 | 8631155 | 51955-R |
| C119 | Gear, sun (34T) | 1 | 83-06 | 8644114 | 51955A-R |
| C119 | Gear, sun (30T) | 1 | 81-06 | 8644237 | 51955B-R |
| C121 | Differential, w/silver pin (38T) | 1 | 80-06 | 8653941 | 51972-R |
| C121 | Differential, w/silver pin (34T) | 1 | 83-06 | 8643963 | 51972A-R |
| C121 | Differential, w/silver pin (30T) | 1 | 81-06 | 8643990 | 51972B-R |
| C121 | Differential, w/black pin (specify ratio) | 1 | 89-06 | SPECIFY | 66972-R |
| D125 | Governor assembly | 1 | 80-06 | SPECIFY | 51910-R |
| D126 | Cover, governor | 1 | 80-81 | 8637953 | 51936-R |
| D126 | Cover, governor | 1 | 82-06 | 8632985 | 51936A-R |
| D126 | Cover, governor | 1 | 82-06 | 8652919 | 51936B-R |
| E128 | Stator | 1 | 80-81 | 8637415 | 51927-R |
| E128 | Stator | 1 | 82-06 | 24205183 | 51927A-R |
| C129 | Gear, side differential set | 1 | 80-06 | 8637919 | 51919-R |
| E130 | Shaft, turbine | 1 | 80-81 | 8631207 | 51907-R |
| E130 | Shaft, turbine | 1 | 82-06 | 8652382 | 51907A-R |
| D134 | Plug | 1 | 80-06 | 8611710 | 51934 |
| E136 | Chain, drive (3/4") (HV-019) | 1 | 80-83 | 8643337 | 51973 |
| E136 | Chain, drive (7/8") (round pins) | 1 | 84-06 | 8660099 | 51973A |
| E137 | Snubber | 1 | 80-06 | 75822 | 51974 |
| E139 | Sprocket, driven (33T) | 1 | 80-83 | 8643445 | 51750-R |
| E139 | Sprocket, driven (32T) | 1 | 82-83 | 8643444 | 51752-R |
| E139 | Sprocket, driven (35T) | 1 | 80-83 | 8643446 | 51751-R |
| E139 | Sprocket, driven (37T) | 1 | 82-83 | 8643447 | 51753-R |
| E139 | Sprocket, driven (32T) | 1 | 84-84 | 8643221 | 51752A-R |
| E139 | Sprocket, driven (33T) | 1 | 84-95 | 8643209 | 51750A-R |
| E139 | Sprocket, driven (35T) | 1 | 84-95 | 8643223 | 51751A-R |
| E139 | Sprocket, driven (37T) | 1 | 84-06 | 8643224 | 51753A-R |
| E140 | Sprocket, drive (33T) | 1 | 82-83 | 8631197 | 51918B-R |
| E140 | Sprocket, drive (35T) | 1 | 81-93 | 8637118 | 51918-R |
| E140 | Sprocket, drive (37T) | 1 | 81-83 | 8631918 | 51918A-R |
| E140 | Sprocket, drive (38T) | 1 | 82-83 | 8637172 | 51918C-R |

TH125•125•TH125C•3T40

TH125•C•3T40

| ILL | DESCRIPTION | QTY | YEAR | REFERENCE # | PART # |
|-------------------------------|--|-----|-------|-------------|----------|
| HARD PARTS (CONTINUED) | | | | | |
| E140 | Sprocket, drive (33T) wide | 1 | 84-95 | 8643209 | 51918D-R |
| E140 | Sprocket, drive (35T) wide | 1 | 84-95 | 8643210 | 51918E-R |
| E140 | Sprocket, drive (37T) wide | 1 | 84-95 | 8643211 | 51918F-R |
| E140 | Sprocket, drive (38T) wide | 1 | 84-06 | 8643212 | 51918G-R |
| C141 | Shaft, sun gear | 1 | 80-06 | 8652388 | 51998-R |
| G144 | Sleeve, repair | 1 | 80-06 | M12702 | 51641 |
| B146 | Piston | 1 | 80-86 | 8637973 | 51932-R |
| B146 | Piston | 1 | 87-06 | 8664168 | 51932A-R |
| D148 | Spring, cushion | 1 | 80-06 | 8652057 | 51706 |
| D150 | Pin, band apply (w/no grooves long) | sel | 80-06 | 8631923 | 51708 |
| D150 | Pin, band apply (1 groove medium) | sel | 80-06 | 8631924 | 51708A |
| D150 | Pin, band apply (2 groove short) | sel | 80-06 | 8631925 | 51708B |
| B152 | Spring, waved | 1 | 80-92 | 8628222 | 32551-R |
| B152 | Spring, diaphragm | 1 | 93-06 | 8683616 | 51551-R |
| D152 | Link, throttle lever | 1 | 80-06 | 8631685 | 51985-R |
| D153 | Spring | 1 | 80-85 | 8631168 | 51704 |
| D153 | Spring | 1 | 85-06 | 8652501 | 51704A |
| E159 | Weir, oil and clip kit | 1 | 80-06 | 8637837 | K51836 |
| G160 | Stabilizer, right axle | 1 | 80-06 | 75125LRB | 51731B |
| G162 | Sleeve, replacement | 1 | 80-06 | 12701A-S | 51730 |
| G164 | Pin, throttle valve boost | 1 | 80-06 | M12712 | 51966 |
| n/i | Cable, detent | 1 | 80-06 | 84125LB | 63-399 |
| n/i | Valve and spring | 1 | 80-06 | M12709A | 51964A |
| n/i | Kit, update-includes weir/band plug/TV pin | 1 | 80-83 | 8643940 | K51940 |
| n/i | Kit, valve and spring | 1 | 80-06 | M12711 | K51965 |
| n/i | Spring, lockup | 1 | 82-06 | 8637888 | 51935 |
| n/i | Grommet, shift linkage | 1 | 80-06 | 1605083 | 96-125B |
| ELECTRICAL COMPONENTS | | | | | |
| F181 | Switch, pressure 44 PSI | 1 | 82-85 | 8643367 | 15A-246 |
| F181 | Switch, pressure 50 PSI | 1 | 82-85 | 8643369 | 15A-250 |
| F181 | Switch, pressure 54 PSI | 1 | 82-85 | 8643362 | 15A-254 |
| F181 | Switch, pressure 34 PSI | 1 | 82-85 | 8643364 | 15A-234 |
| G172 | Solenoid and harness assembly | 1 | 82-06 | 88689901 | 5A-126 |
| G172 | Solenoid and harness assembly | 1 | 85-85 | 8652376 | 5A-127 |
| G172 | Solenoid, lock-up/TCC (universal) | 1 | 82-06 | 52-0210 | 5A-146 |
| F185 | Connector, electrical (3 terminal square) | 1 | 82-06 | 12015026 | 25A-103 |
| F185 | Connector, electrical (4 terminal square) | 1 | 82-06 | 12015027 | 25A-104 |
| F185 | Connector, electrical (4 prongs round) | 1 | 88-89 | 24202567 | 25A-105 |
| n/i | Switch, pressure (3 prongs) | 1 | 88-06 | 8664388 | 15A-136 |
| n/i | Switch, pressure (2 terminals) | 1 | 82-06 | 8643710 | 15A-111 |
| n/i | Switch, pressure (1 terminal n.o.) | 1 | 88-06 | 8643273 | 15A-118 |
| n/i | Switch, pressure (1 prong n.c.) | 1 | 89-06 | 8665355 | 15A-105 |
| n/i | Switch, pressure (1 prong n.c. w/bracket) | 1 | 90-06 | 8666603 | 15A-106 |
| SPRAGS | | | | | |
| C114 | Roller clutch | 1 | 80-06 | 7471003 | 51503 |
| C114 | Roller clutch | 1 | 80-06 | 8631133 | 51503-R |
| NOTES | | | | | |
| | | | | | |
| | | | | | |
| | | | | | |
| | | | | | |
| | | | | | |



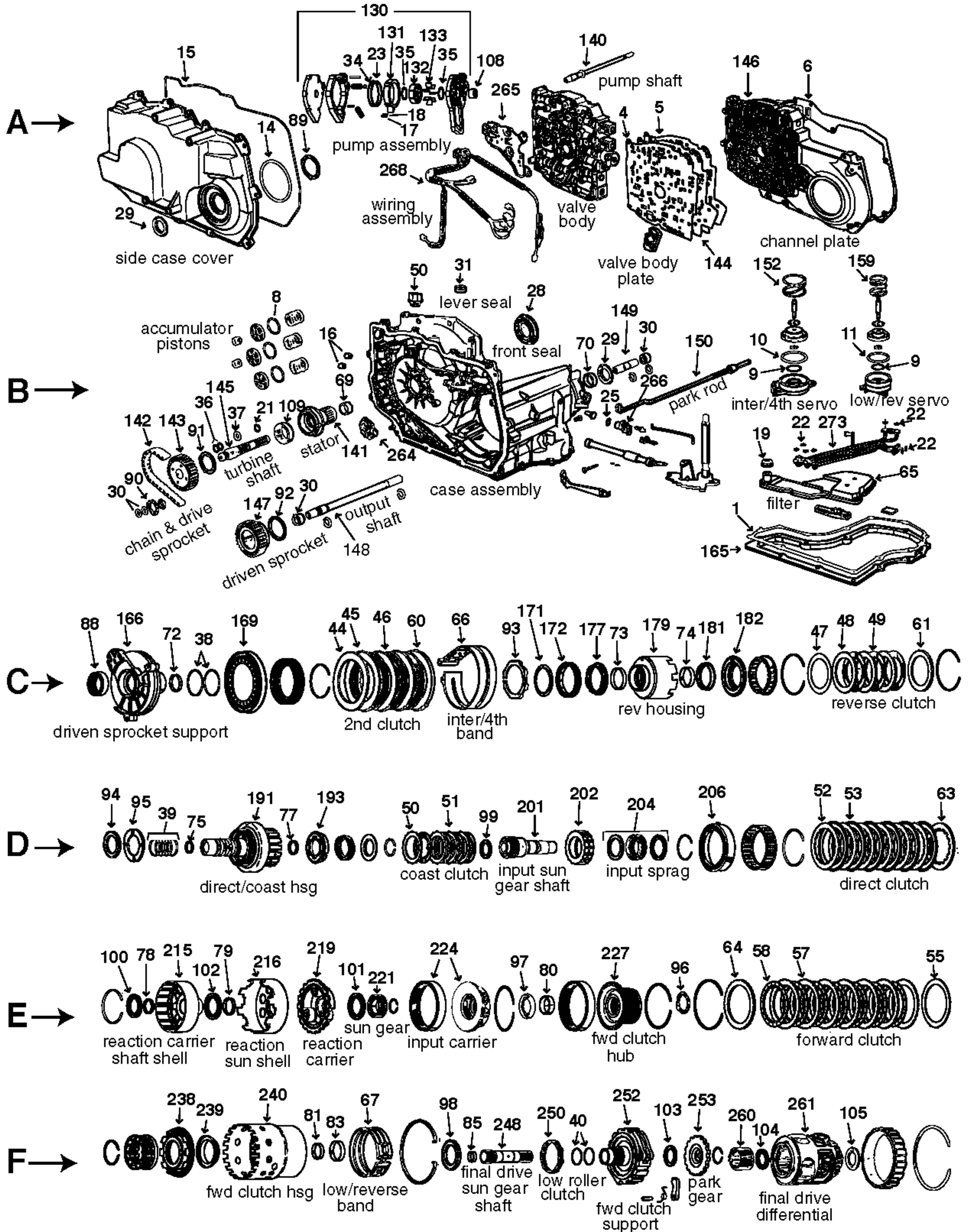
Our Enhanced AW 55-50 Solenoids provide better performance and can save you money.

They're just the beginning of a whole new generation of solenoids that will change the industry.

Rostra Performance Class
ENHANCED LINEAR SOLENOIDS

Over 200 electronic parts covering
 more than 500 different
 vehicle applications

Rostra



4T40E
59000

| ILL | DESCRIPTION | | QTY | YEAR | REFERENCE # | PART # |
|--------------------------------------|-----------------------------------|------------------------------------|-----|-------|-------------|-----------|
| TECHNICAL MANUALS | | | | | | |
| K53 | Tech manual 4T40E dis/assembly | diagnosis/troubleshooting | 1 | 96-08 | 83-4T40ETM | 010-318 |
| REBUILDER KITS | | | | | | |
| K4 | Master deluxe rebuild kit | w/pistons | 1 | 95-96 | AE | K5900-R |
| K4 | Master deluxe rebuild kit | w/pistons | 1 | 97-10 | AE | K5900A-R |
| K4 | Master deluxe rebuild kit | 4T40E/4T45E w/o pistons | 1 | 95-96 | AE | K5900B-R |
| K4 | Master deluxe rebuild kit | 4T40E/4T45E w/o pistons | 1 | 97-10 | AE | K5900C-R |
| K5 | Master kit w/steels | w/pistons | 1 | 95-96 | AE | K5900 |
| K5 | Master kit w/steels | w/pistons | 1 | 97-10 | AE | K5900A |
| K5 | Master kit w/steels | 4T40E/4T45E w/o pistons | 1 | 95-96 | AE | K5900B |
| K5 | Master kit w/steels | 4T40E/4T45E w/o pistons | 1 | 97-10 | AE | K5900C |
| K6 | Master kit w/o steels | w/pistons | 1 | 95-10 | AE | K5900-LS |
| K6 | Master kit w/o steels | 4T40E/4T45E w/o pistons | 1 | 95-10 | AE | K5900B-LS |
| K6 | Master kit w/o steels | 4T40E/4T45E w/o pistons | 1 | 97-10 | AE | K5900C-LS |
| K7 | O/H gasket set w/seals-rings | w/pistons | 1 | 95-10 | AE | K59900 |
| K7 | O/H gasket set w/seals-rings | w/o pistons | 1 | 95-10 | AE | K59900B |
| VALVE BODY KITS | | | | | | |
| K15 | Shift Kit® | 4T40E/4T45E | 1 | 95-08 | n/a | K59908 |
| GASKETS AND RUBBER COMPONENTS | | | | | | |
| B1 | Gasket, oil pan | elasomeric | 1 | 95-10 | 24203590 | 13080R |
| A4 | Gasket, valve body | valve body to spacer plate | 1 | 95-03 | 2430595 | 23515 |
| A4 | Gasket, valve body (white stripe) | valve body to spacer plate | 1 | 04-05 | 24216019 | 23515A |
| A4 | Gasket, valve body | valve body to spacer plate | 1 | 06-10 | n/a | 23515B |
| A5 | Gasket, valve body | spacer plate to channel plate | 1 | 95-03 | 24204141 | 23516 |
| A5 | Gasket, valve body (white stripe) | spacer plate to channel plate | 1 | 04-05 | 24216017 | 23516A |
| A5 | Gasket, valve body | valve body to channel plate | 1 | 06-10 | n/a | 23516B |
| A6 | Gasket, channel plate | channel plate to case | 1 | 95-10 | 24201096 | 23517 |
| B8 | Seal, lathe cut | 1-2/2-3/3-4 accumulator | 3 | 95-10 | 24200739 | 23518 |
| B9 | Seal, lathe cut | 2-4 servo | 1 | 95-10 | 8678473 | 23519 |
| B9 | Seal, lathe cut | low/reverse servo | 1 | 95-10 | 8684394 | 23523 |
| B10 | Lip seal | 2-4 servo | 1 | 95-10 | 8684673 | 23524 |
| B11 | Lip seal | low/reverse servo | 1 | 95-10 | 8684674 | 23525 |
| A14 | Seal, molded rubber | side cover (inner) | 1 | 95-10 | 8685154 | 23527 |
| A15 | Seal, molded rubber | side cover (outer) | 1 | 95-10 | 24200478 | 23528 |
| B16 | Seal | cooler line to case | 2 | 95-10 | 24200326 | 23529 |
| A17 | Seal (teflon) | pump slide (rectangle teflon) | 1 | 95-10 | 8631877 | 13768 |
| A18 | Seal (rubber) | pump slide (round peg rubber) | 1 | 95-10 | 8631283 | 13762 |
| B19 | Seal | filter | 1 | 95-10 | 8684467 | 23532 |
| B21 | O'ring (teflon coated/green) | turbine shaft | 1 | 95-10 | 8677453 | 13766 |
| B22 | O'ring | lube tube rack assembly | 8 | 95-10 | n/a | 13767 |
| A23 | O'ring | pump slide | 1 | 95-10 | 8631504 | 13761 |
| A25 | O'ring | output speed sensor | 1 | 95-10 | n/a | 23116 |
| n/i | O'ring | fill cap | 1 | 95-10 | n/a | 23017 |
| n/i | Seal | harness connector | 1 | 95-10 | n/a | 23526 |
| METAL CLAD SEALS | | | | | | |
| B28 | Seal, metal clad | front | 1 | 95-10 | 8685515 | 51200A |
| AB29 | Seal, metal clad | left and right axle | 2 | 95-10 | 24201936 | 59201 |
| B30 | Seal, metal clad | left and right axle (inner sleeve) | 2 | 95-10 | 8684482 | 59204 |
| B31 | Seal, metal clad | manual lever shaft | 1 | 95-10 | 8644709 | 51202A |
| SEALING RINGS | | | | | | |
| K10 | Kit, sealing ring | complete | 1 | 95-10 | AE | K59903 |
| A34 | Ring, sealing (teflon) | pump slide | 1 | 95-10 | 8631417 | 51305T |
| B36 | Ring, sealing (teflon) solid | turbine shaft (rear) | 2 | 95-96 | 8643058 | 51307T |
| B36 | Ring, sealing (teflon) solid | turbine shaft (rear) | 2 | 97-10 | 24207710 | 59307T |

4T40E•4T45E

4T40E•4T45E

| ILL | DESCRIPTION | | QTY | YEAR | REFERENCE # | PART # |
|----------------------------------|---|---|-----|-------|-------------|----------|
| SEALING RINGS (CONTINUED) | | | | | | |
| B37 | Ring, sealing (teflon) solid | turbine shaft (front) | 1 | 95-10 | 8637170 | 51310T |
| C38 | Ring, sealing (teflon) | driven sprocket support | 2 | 95-10 | 24201613 | 59300T |
| D39 | Ring, sealing (teflon) | direct/coast housing shaft | 4 | 95-10 | 8684272 | 59301T |
| F40 | Ring, sealing (teflon) | forward clutch support | 2 | 95-10 | 24204223 | 59302T |
| CLUTCH PLATES | | | | | | |
| C44 | Steel, waved 8T | 2nd clutch (cushion) | 1 | 95-10 | 24200298 | 59105A |
| C45 | Steel .089" 4.793" id 8T | 2nd clutch | 3 | 95-10 | 24200790 | 59105 |
| C46 | Friction .070" 6.578" od 36T | 2nd clutch | 3 | 95-10 | 8684322 | 59104 |
| C47 | Steel, waved .043" 3.995" id 8T/12T | reverse clutch (cushion) | 1 | 95-10 | 24243005 | 59107A |
| C48 | Steel .088" 3.995" id 30T | reverse clutch | 3 | 95-96 | 24200757 | 59107 |
| C48 | Steel .088" 3.995" id 30T | reverse clutch (new design w/4 holes) | 3 | 97-10 | 24207081 | 59109 |
| C49 | Friction .070" 5.305" od 48T | reverse clutch | 3 | 95-10 | 8684266 | 59106 |
| D50 | Steel .069" 2.44" id 12T | coast clutch | 4 | 95-10 | 8685874 | 59111 |
| D51 | Friction .070" 3.275" od 20T | coast clutch | 4 | 95-10 | 8684282 | 59108 |
| D52 | Steel .074" 4.96" od 16T (internal T) | direct clutch | 6 | 95-10 | 8685879 | 59103 |
| D53 | Friction .070" 3.927" id 36T | direct clutch (external teeth) | 6 | 95-10 | 8684415 | 59102 |
| D53 | Friction .070" 3.927" id 36T (external T) | direct clutch (metallic specks) | 6 | 08-10 | n/a | 59102A |
| E55 | Steel, waved .039" 4.075" id 8T | forward clutch (cushion) | 1 | 95-10 | 24200467 | 59101A |
| E57 | Steel .069" .071" id 8T | forward clutch | 7 | 95-10 | 8684445 | 59101 |
| D58 | Friction .070" 5.000" od 30T | forward clutch | 7 | 95-10 | 8684444 | 59100 |
| PRESSURE PLATES | | | | | | |
| C60 | Pressure plate .433" | 2nd clutch | sel | 95-10 | 8684324 | 59119-R |
| C60 | Pressure plate .381" | 2nd clutch | sel | 95-10 | 24209271 | 59119A-R |
| C61 | Pressure plate .199" | reverse clutch | sel | 95-10 | 24200756 | 59118-R |
| C61 | Pressure plate .177" | reverse clutch | sel | 95-10 | 24200950 | 59118A-R |
| C61 | Pressure plate .222" | reverse clutch | sel | 95-10 | 24200951 | 59118B-R |
| D63 | Pressure plate .205" (internal teeth) | direct clutch | 1 | 95-10 | 8685875 | 59116-R |
| E64 | Pressure plate .120" 4.07" id. 30T | forward clutch | 1 | 95-10 | 24200595 | 59115-R |
| FILTERS | | | | | | |
| K9 | Kit, filter | elasomeric | 1 | 95-10 | AE | FK59710 |
| B65 | Filter | 4T40E/45E | 1 | 95-10 | 8685185 | 59710 |
| n/i | Screen, filter (plastic)(sm rectangle) | lock-up/TCC solenoid (in seperator plate) | 1 | 95-10 | 24209144 | 61718 |
| n/i | Screen, filter | actuator feed (in valve body) | 1 | 95-10 | 8685022 | 59711 |
| BANDS | | | | | | |
| C66 | Band | intermediate/4th | 1 | 95-10 | 8684403 | 59700 |
| C67 | Band, double wrap | low/reverse | 1 | 95-10 | 8651614 | 66721 |
| C67 | Band, double wrap (high energy) | low/reverse | 1 | 01-10 | 20202815 | 66722 |
| BUSHINGS | | | | | | |
| K13 | Kit, bushing | 4T40E/45E | 1 | 95-10 | AE | K59901 |
| B69 | Bushing (bronze) | drive sprocket support | 1 | 95-10 | 8628915 | 32006 |
| B70 | Bushing | case | 1 | 95-10 | 8631119 | 51013 |
| C72 | Bushing | driven sprocket support | 1 | 95-10 | 8684330 | 59003 |
| C73 | Bushing | reverse clutch (front) | 1 | 95-10 | 8684269 | 59004 |
| C74 | Bushing | reverse clutch (rear) | 1 | 95-10 | 8684268 | 59005 |
| D75 | Bushing (bronze) | direct/coast housing (rear) | 1 | 95-10 | 8631238 | 51008 |
| D77 | Bushing | direct/coast housing (front) | 1 | 95-10 | 8684518 | 59007 |
| E78 | Bushing | reaction carrier shaft shell | 1 | 95-10 | 8684589 | 59008 |
| E79 | Bushing | reaction sun shell (gear) | 1 | 95-10 | 8684586 | 59009 |
| E80 | Bushing | forward clutch hub | 1 | 95-10 | 8684320 | 59010 |
| F81 | Bushing | forward clutch housing (front) | 1 | 95-10 | 8684390 | 59011 |
| F83 | Bushing | forward clutch housing (rear) | 1 | 95-10 | 8684389 | 59012 |
| F85 | Bushing | final drive sun gear shaft | 1 | 95-10 | n/a | 59014 |
| n/i | Bushing | converter hub | 1 | 95-10 | 8637801 | 51005A |

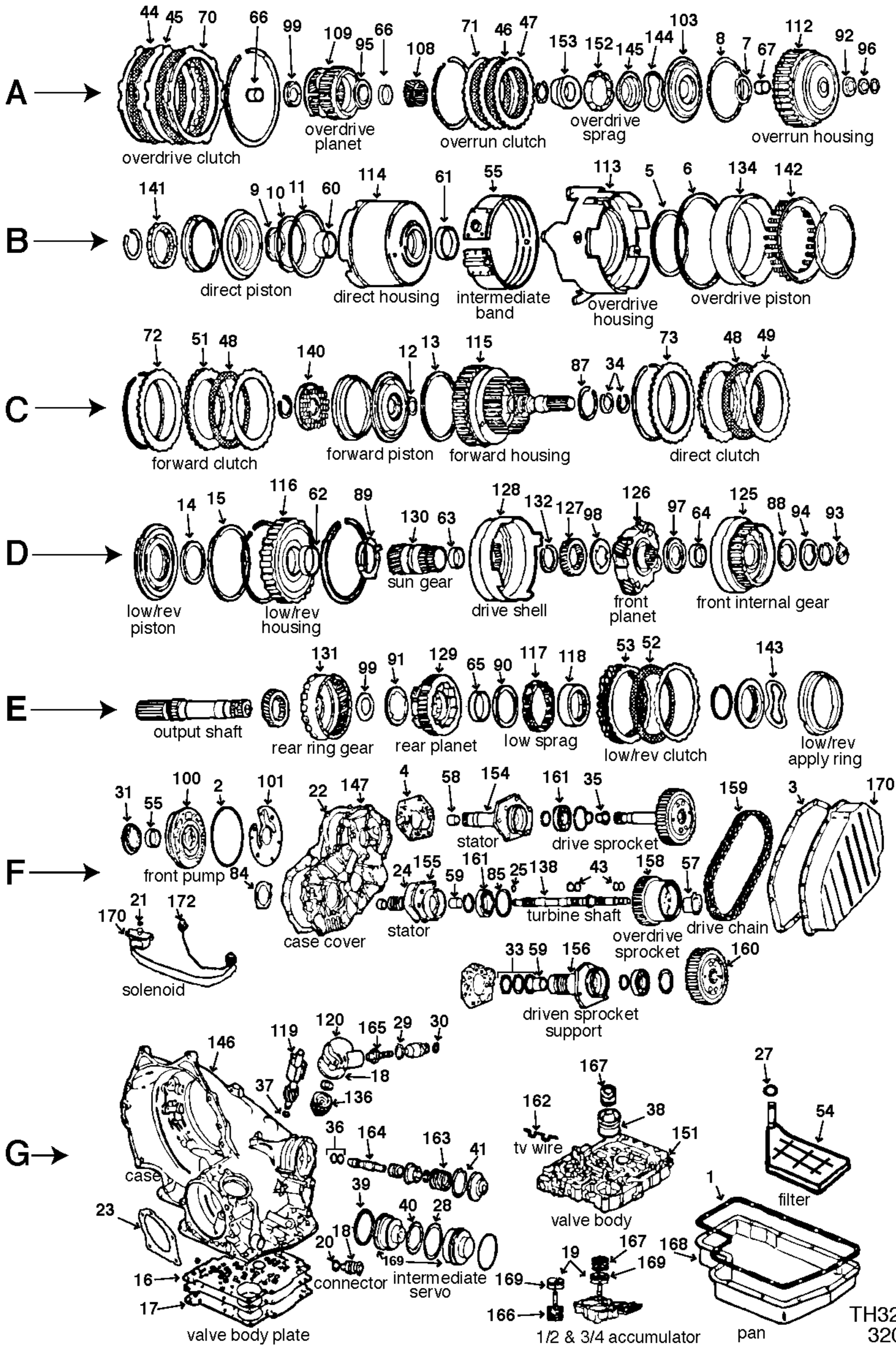
| ILL | DESCRIPTION | QTY | YEAR | REFERENCE # | PART # | |
|-------------------------------------|--|--|------|-------------|----------|----------|
| WASHERS/BEARINGS/RACES/SHIMS | | | | | | |
| K12 | Kit, thrust bearing | 4T40E/45E | 1 | 95-10 | AE | K59906 |
| K14 | Kit, thrust washer | 4T40E/45E | 1 | 95-10 | AE | K59907 |
| C88 | Bearing, caged (needle) | driven sprocket support | 1 | 95-10 | 8631190 | 51490 |
| A89 | Thrust washer | side cover to driven sprocket | 1 | 95-10 | 8684379 | 59404 |
| B90 | Thrust washer | drive sprocket to channel plate | 1 | 95-10 | 8652868 | 51412 |
| B91 | Thrust washer (4 tabs) | drive sprocket to stator | 1 | 95-10 | 8652841 | 51413 |
| B92 | Thrust washer | driven sprocket to sprocket support | 1 | 95-10 | 8637227 | 51439 |
| C93 | Thrust washer | support to reverse input clutch | 1 | 95-10 | 8684259 | 59406 |
| D94 | Bearing, thrust | driven sprocket to direct/coast housing | 1 | 95-10 | 8644206 | 66509 |
| D95 | Thrust washer .061" (brown) | reverse housing to direct/coast housing | sel | 95-10 | n/a | 59407 |
| D95 | Thrust washer .072" (gray) | reverse housing to direct/coast housing | sel | 95-10 | n/a | 59407A |
| D95 | Thrust washer .084" (natural) | reverse housing to direct/coast housing | sel | 95-10 | n/a | 59407B |
| D95 | Thrust washer .096" (black) | reverse housing to direct/coast housing | sel | 95-10 | n/a | 59407C |
| D95 | Thrust washer .107" (orange) | reverse housing to direct/coast housing | sel | 95-10 | n/a | 59407D |
| D95 | Thrust washer .119" (violet) | reverse housing to direct/coast housing | sel | 95-10 | n/a | 59407E |
| D95 | Thrust washer .131" (yellow) | reverse housing to direct/coast housing | sel | 95-10 | n/a | 59407F |
| D95 | Thrust washer .142" (red) | reverse housing to direct/coast housing | sel | 95-10 | n/a | 59407G |
| D95 | Thrust washer .154" (green) | reverse housing to direct/coast housing | sel | 95-10 | n/a | 59407H |
| E96 | Thrust washer | forward clutch hub to forward housing | 1 | 95-10 | 8685039 | 59408 |
| E97 | Bearing, thrust | input carrier to forward hub | 1 | 95-10 | 8644206 | 66509 |
| F98 | Bearing, thrust | forward clutch support to forward housing | 1 | 95-10 | n/a | 59410 |
| D99 | Bearing, thrust | direct/coast housing to input sun gear | 1 | 95-10 | n/a | 59409 |
| E100 | Bearing, thrust | input s/g shaft to reaction carrier shaft | 1 | 95-10 | n/a | 59413 |
| E101 | Bearing, thrust | input sun gear to reaction carrier | 1 | 95-10 | n/a | 59414 |
| E102 | Bearing, thrust | reaction shaft shell to reaction sun shell | 1 | 95-10 | n/a | 59416 |
| F103 | Bearing, thrust | forward clutch support to park gear | 1 | 95-10 | n/a | 59415 |
| F104 | Bearing, thrust 2.125" od | s/g to differential (final drive assy) | 1 | 95-10 | 8632504 | 51454 |
| F105 | Bearing, thrust | differential (final drive) to case | 1 | 95-10 | 8631362 | 51461 |
| A108 | Bearing, needle w/seal assy | pump shaft | 1 | 95-10 | 33000-01 | 59477 |
| B109 | Bearing, caged (needle) | drive sprocket support (stator) | 1 | 95-10 | 24205179 | 51486 |
| SNAP RINGS | | | | | | |
| n/i | Snap ring | output shaft (round) | 1 | 95-10 | 7829495 | 51495 |
| PUMP PARTS AND PUMPS | | | | | | |
| A35 | Ring, pump vane (solid) | cast iron (solid) | 2 | 95-10 | 8665807 | 51308 |
| A130 | Pump assembly | 4T40E/45E | 1 | 95-10 | 24208987 | 59200-R |
| A131 | Slide, pump | 4T40E/45E | 1 | 95-10 | 8637802 | 51803 |
| A132 | Rotor, pump (15 splines) | 4T40E/45E | 1 | 95-10 | 8637180 | 51802A |
| A133 | Vane, pump | 4T40E/45E | 7 | 95-10 | 8631280 | 32800 |
| A140 | Shaft, pump | 4T40E/45E | 1 | 95-10 | 8684255 | 59969 |
| HARD PARTS | | | | | | |
| B141 | Stator | drive sprocket support w/bearing | 1 | 95-10 | 8685660 | 59927-R |
| B142 | Chain, drive | 3/4" wide | 1 | 95-03 | HV-039 | 59973 |
| B142 | Chain, drive (7/8")(rocker joint type) | 7/8" wide (V/6) | 1 | 99-10 | HV-058 | 59973A |
| B142 | Chain, drive | 5/8" wide (ZX design) | 1 | 02-10 | HV-079 | 59973B |
| B143 | Sprocket, drive 3/4" 32T | 4T40E/45E | 1 | 95-03 | 24204709 | 59916-R |
| B143 | Sprocket, drive 3/4" 33T | 4T40E/45E | 1 | 95-03 | 24204710 | 59916A-R |
| B143 | Sprocket, drive 3/4" 35T | 4T40E/45E | 1 | 95-03 | 24204711 | 59916B-R |
| B143 | Sprocket, drive 7/8" 32T | 4T40E/45E | 1 | 97-10 | 24217580 | 59916C-R |
| B143 | Sprocket, drive 7/8" 35T | 4T40E/45E | 1 | 97-10 | 24210128 | 59916D-R |
| B143 | Sprocket, drive 5/8" 35T | 4T40E/45E | 1 | 03-10 | n/a | 59916E-R |
| B143 | Sprocket, drive 5/8" 33T | 4T40E/45E | 1 | 03-10 | n/a | 59916F-R |
| A144 | Valve body spacer plate | 4T40E/45E | 1 | 95-98 | 24207145 | 59750 |
| A144 | Valve body spacer plate | 4T40E/45E | 1 | 95-03 | 24221953 | 59750A |

4T40E•4T45E

4T40E•4T45E

| ILL | DESCRIPTION | QTY | YEAR | REFERENCE # | PART # | |
|-------------------------------|---|--------------------------------------|------|-------------|----------|----------|
| HARD PARTS (CONTINUED) | | | | | | |
| A144 | Valve body spacer plate | 4T40E/45E | 1 | 95-05 | 24216018 | 59750B |
| A144 | Valve body spacer plate | 4T40E/45E | 1 | 96-97 | 24205050 | 59751 |
| A144 | Valve body spacer plate | 4T40E/45E | 1 | 02-03 | 24216018 | 59751A |
| A144 | Valve body spacer plate | 4T40E/45E | 1 | 05-10 | 24216112 | 59751B |
| B145 | Shaft, turbine | 4T40E/45E | 1 | 95-10 | 8652382 | 51907A-R |
| B147 | Sprocket, driven 3/4" 38T | 4T40E/45E | 1 | 95-03 | 24204714 | 59918-R |
| B147 | Sprocket, driven 3/4" 37T | 4T40E/45E | 1 | 95-03 | 24204713 | 59918A-R |
| B147 | Sprocket, driven 3/4" 35T | 4T40E/45E | 1 | 95-03 | 24204712 | 59918B-R |
| B147 | Sprocket, driven 7/8" 38T | 4T40E/45E | 1 | 97-10 | 24217586 | 59918C-R |
| B147 | Sprocket, driven 7/8" 35T | 4T40E/45E | 1 | 97-10 | 24210130 | 59918D-R |
| B147 | Sprocket, driven 5/8" 35T | 4T40E/45E | 1 | 03-10 | n/a | 59918E-R |
| B147 | Sprocket, driven 5/8" 37T | 4T40E/45E | 1 | 03-10 | n/a | 59918F-R |
| B148 | Shaft, output | long | 1 | 95-10 | 24200733 | 59714-R |
| B149 | Shaft, output | short (stub shaft) | 1 | 95-10 | 24200734 | 59715-R |
| B150 | Rod, park | actuator | 1 | 95-10 | 24202424 | 59720-R |
| B152 | Spring | intermediate/4th servo | 1 | 95-10 | 9684350 | 59704-R |
| B159 | Spring | low/reverse servo | 1 | 95-10 | 8684393 | 59703-R |
| B165 | Pan, oil | bottom | 1 | 95-10 | 8685184 | 8685184 |
| C166 | Support, driven sprocket | casting # 8684348 | 1 | 95-03 | 24200283 | 59930-R |
| C166 | Support, driven sprocket | casting # 24207153 | 1 | 95-10 | 24207143 | 59930A-R |
| C171 | Retainer | 2nd roller clutch (sprag) | 1 | 95-10 | 24207224 | 59906 |
| C172 | Race (outer) | 2nd roller clutch (sprag) | 1 | 95-10 | 8684671 | 59949-R |
| C179 | Housing, reverse | drum | 1 | 97-10 | 24207223 | 59931-R |
| D191 | Housing, direct/coast | input shaft/direct/coast/assembly | 1 | 97-10 | 24207726 | 59932-R |
| D201 | Shaft, input sun gear | w/inner race (sold as assembly) | 1 | 95-10 | 24203613 | 59933-R |
| D202 | Race, input sprag | outer | 1 | 95-10 | 24200497 | 59934-R |
| E215 | Shell, reaction carrier shaft | 4T40E/45E | 1 | 95-10 | 24202271 | 59935-R |
| E216 | Shell, reaction sun | 4T40E/45E | 1 | 95-10 | 24218026 | 59936-R |
| E219 | Carrier, reaction | planetary (front) | 1 | 95-10 | 24208584 | 59937-R |
| E221 | Gear, input sun | 4T40E/45E | 1 | 95-10 | 8684581 | 59938-R |
| E224 | Carrier, input | w/ring gear (planetary rear) | 1 | 95-10 | 24228792 | 59940-R |
| E227 | Hub, forward clutch | input carrier flange | 1 | 95-10 | 24202221 | 59730-R |
| F240 | Housing, forward clutch | drum | 1 | 95-10 | 24208640 | 59941-R |
| F248 | Shaft, sun gear | 4T40E/45E | 1 | 95-10 | 24201609 | 59942-R |
| F252 | Support, forward clutch | 16 roller clutch | 1 | 95-98 | 24204222 | 59943-R |
| F252 | Support, forward clutch | 17 roller clutch | 1 | 98-10 | 24212711 | 59943A-R |
| F253 | Gear, park | 4T40E/45E | 1 | 95-10 | 24204708 | 59731-R |
| F260 | Gear, sun (reverse cut 38T) | final drive (teeth go right to left) | 1 | 95-10 | 8684311 | 66855A-R |
| F260 | Gear, sun (reverse cut 34T) | final drive (teeth go right to left) | 1 | 97-10 | 8685560 | 66855B-R |
| F261 | Differential, 20T pinion (38T sun gear) | final drive (reverse cut) | 1 | 95-10 | n/a | 66972A-R |
| F261 | Differential, 22T pinion (34T sun gear) | final drive (reverse cut) | 1 | 97-10 | n/a | 66972B-R |
| note | Differential, pinion | teeth go left to right | | | n/a | |
| B273 | Tube, lube rack assembly | 4T40E/45E | 1 | 95-10 | 24202349 | 59760 |
| B273 | Tube, lube rack assembly | 4T40E/45E | 1 | 95-10 | 24202349 | 59760-R |
| n/i | Piston, servo | low/reverse (casting #24201884) | 1 | 95-10 | 24203772 | 59718-R |
| n/i | Piston, servo | 4th (casting #24201879) | 1 | 95-10 | 24203766 | 59719-R |
| n/i | Lever, manual | rooster comb w/shaft assembly | 1 | 95-10 | 24203588 | 59721-R |
| n/i | Spring, return | 2nd clutch | 1 | 95-10 | 8684327 | 59723-R |
| n/i | Spring, return | reverse clutch | 1 | 95-10 | 24200758 | 59724-R |
| n/i | Spring, return | coast clutch | 1 | 97-10 | 24205043 | 59727-R |
| n/i | Spring, return | direct clutch | 1 | 95-10 | 8684510 | 59728-R |
| n/i | Spring, return | forward clutch | 1 | 95-10 | 24208652 | 59729-R |
| n/i | Gear, ring | final drive | 1 | 95-10 | n/a | 59732-R |

| ILL | DESCRIPTION | | QTY | YEAR | REFERENCE # | PART # |
|-------------------------------|-------------------------------|--|-----|-------|-------------|----------|
| HARD PARTS (CONTINUED) | | | | | | |
| n/i | Gear, differential kit | black diff shaft w/spider and side gears | 1 | 95-10 | n/a | 59919-R |
| n/i | Spring | 1/2 accumulator | 1 | 95-10 | 8685241 | 59706-R |
| n/i | Spring | 2/3 accumulator | 1 | 95-10 | 24203557 | 59707-R |
| n/i | Spring | 3/4 accumulator | 1 | 95-10 | 8685240 | 59708 |
| n/i | Sleeve, repair | channel plate | 1 | 95-10 | AE | 59641 |
| n/i | Pressure regulator repair kit | 4T40E | 1 | 95-10 | 4T40E-PRT | K59964 |
| n/i | Pressure regulator refill kit | 4T40E | 1 | 95-10 | 4T40E-PR5 | K59965 |
| ELECTRICAL COMPONENTS | | | | | | |
| B264 | Sensor, speed | turbine/input (TSS/ISS) square bracket | 1 | 95-10 | 24218077 | 15A-017 |
| B264 | Sensor, speed | turbine/input (TSS/ISS) round bracket | 1 | 97-10 | 10456546 | 15A-018 |
| A265 | Switch | pressure manifold | 1 | 95-03 | 24222079 | 15A-015 |
| A265 | Switch | pressure manifold | 1 | 04-10 | 24217544 | 15A-015A |
| B266 | Sensor, speed | vehicle/output (VSS) | 1 | 95-10 | 24207507 | 15A-016 |
| A268 | Harness, internal wiring | 4T40E/45E | 1 | 95-10 | n/a | 16A-161 |
| n/i | Switch, neutral safety | range switch (MLPS) | 1 | 97-03 | 12450161 | 15A-013 |
| n/i | Switch, neutral safety | range switch (MLPS) | 1 | 95-95 | n/a | 15A-013A |
| n/i | Switch, neutral safety | range switch (MLPS) | 1 | 96-96 | n/a | 15A-013B |
| n/i | Switch, neutral safety | range switch (MLPS) | 1 | 04-10 | D2259C | 15A-013C |
| n/i | Solenoid | shift 1-2/2-3 (A/B) | 2 | 95-10 | 24207236 | 5A-420 |
| n/i | Solenoid | electronic pressure control (EPC) | 1 | 95-03 | 10478146 | 5A-419 |
| n/i | Solenoid | electronic pressure control (EPC) | 1 | 03-10 | 24225825 | 5A-419A |
| n/i | Solenoid (PWM) | lock-up/TCC control | 1 | 95-10 | 24227792 | 5A-393 |
| n/i | Harness, wiring repair (VSS) | speed sensor (external) | 1 | 95-10 | 12101899 | 16A-159 |
| n/i | Harness, wiring repair (ECM) | electronic control module (ECM) | 1 | 95-10 | 350-0063 | 16A-140 |
| SPRAGS | | | | | | |
| C177 | Roller clutch | 2nd clutch | 1 | 95-10 | 930695 | 59502 |
| D204 | Sprag | input clutch | 1 | 95-10 | 24203617 | 59725 |
| F250 | Roller clutch (black) | low (16 rollers) | 1 | 95-98 | 930694 | 59726 |
| F250 | Roller clutch (gray) | low (17 rollers) | 1 | 99-10 | 24215825 | 59726A |
| BONDED PISTONS | | | | | | |
| C169 | Piston, bonded rubber | 2nd clutch | 1 | 95-10 | 24205042 | 59530 |
| C181 | Seal, bonded rubber | reverse clutch (center) | 1 | 95-10 | 24205041 | 59532 |
| C182 | Piston, bonded rubber | reverse clutch (outer) | 1 | 95-10 | 24205040 | 59531 |
| D193 | Piston, bonded rubber | coast clutch | 1 | 95-10 | 24205043 | 59534 |
| D206 | Piston, bonded rubber | direct clutch | 1 | 95-10 | 24205044 | 59533 |
| F238 | Piston, bonded rubber | forward clutch | 1 | 95-10 | 24208641 | 59535 |
| F239 | Seal, bonded rubber | forward clutch (center) | 1 | 95-10 | 24208642 | 59536 |
| NOTES | | | | | | |
| | | | | | | |
| | | | | | | |
| | | | | | | |
| | | | | | | |
| | | | | | | |
| | | | | | | |
| | | | | | | |
| | | | | | | |
| | | | | | | |
| | | | | | | |
| | | | | | | |
| | | | | | | |
| | | | | | | |
| | | | | | | |
| | | | | | | |
| | | | | | | |
| | | | | | | |
| | | | | | | |
| | | | | | | |
| | | | | | | |
| | | | | | | |



TH325/325-4L
32000D/E

| ILL | DESCRIPTION | QTY | YEAR | REFERENCE # | PART # |
|--------------------------------------|---|-----|-------|-------------|-----------|
| TECHNICAL MANUALS | | | | | |
| K53 | Tech manual TH325/4L dis/assembly diagnosis/troubleshooting | 1 | 79-85 | 83-825LTM | 010-305 |
| REBUILDER KITS | | | | | |
| K4 | Master deluxe rebuild kit TH325 | 1 | 79-81 | AE | K3200D-R |
| K4 | Master deluxe rebuild kit TH325-4L (w/o servo lip seals) | 1 | 82-85 | AE | K3200E-R |
| K5 | Master kit w/steels TH325 | 1 | 79-81 | AE | K3200D |
| K5 | Master kit w/steels TH325-4L (w/o servo lip seals) | 1 | 82-85 | AE | K3200E |
| K6 | Master kit w/o steels TH325 | 1 | 79-81 | AE | K3200D-LS |
| K6 | Master kit w/o steels TH325-4L (w/o servo lip seals) | 1 | 82-85 | AE | K3200E-LS |
| K7 | O/H gasket set w/seals-rings TH325 | 1 | 79-81 | AE | K32900D |
| K7 | O/H gasket set w/seals-rings TH325-4L (w/o servo lip seals) | 1 | 82-85 | AE | K32900E |
| K11 | Gasket and seal kit TH325 | 1 | 79-81 | AE | K32900D-1 |
| K11 | Gasket and seal kit TH325-4L (w/o servo lip seals) | 1 | 82-85 | AE | K32900E-1 |
| n/i | Kit, lip seal TH325-4L (intermediate servo) | 1 | 84-85 | AE | K32900-3 |
| VALVE BODY KITS | | | | | |
| K15 | Shift Kit® TH325 corrects 3/2 cut loose/soft shifts | 1 | 79-81 | SK® 325 | K32908D |
| K15 | Shift Kit® TH325-4L correct 3/2 cut loose/soft shift | 1 | 82-85 | SK® 325-4L | K32908E |
| GASKETS AND RUBBER COMPONENTS | | | | | |
| G1 | Gasket, oil pan TH325/4L (neoprene/cork) | 1 | 79-85 | 8635884 | 13900AX |
| G1 | Gasket, oil pan TH325/4L (Duraprene®) | 1 | 79-85 | 8635884 | 13900AD |
| F2 | Seal, lathe cut TH325/4L (pump body to case) | 1 | 79-85 | 8625007 | 13273 |
| F3 | Gasket, side cover TH325 (neoprene/cork) | 1 | 79-81 | 8632032 | 13983X |
| F3 | Gasket, side cover TH325 (Duraprene®) | 1 | 79-81 | 8632032 | 13983D |
| F3 | Gasket, side cover TH325-4L (neoprene/cork) | 1 | 82-85 | 8635154 | 13983AX |
| F3 | Gasket, side cover TH325-4L (Duraprene®) | 1 | 82-85 | 8639726 | 13983AD |
| F4 | Gasket, sprocket support TH325 | 1 | 79-81 | 8632018 | 13350 |
| B5 | Lip seal TH325-4L (4th clutch inner) | 1 | 82-85 | 8635562 | 13972 |
| B6 | Lip seal TH325-4L (4th clutch outer) | 1 | 82-85 | 8634025 | 13973 |
| A7 | Lip seal TH325-4L (overrun clutch inner) | 1 | 82-85 | 8634054 | 13974 |
| A8 | Lip seal TH325-4L (overrun clutch outer) | 1 | 82-85 | 8634053 | 13975 |
| B9 | Lip seal TH325/4L (direct clutch piston inner) | 1 | 79-85 | 8628079 | 13963 |
| B10 | Lip seal TH325/4L (direct clutch piston center) | 1 | 79-85 | 8630295 | 13959 |
| BC11 | Lip seal TH325/4L (direct/fwd clutch piston outer) | 2 | 79-85 | 8628078 | 13961 |
| C12 | Lip seal TH325/4L (forward clutch piston inner) | 1 | 79-85 | 8630102 | 13962 |
| D14 | Lip seal TH325/4L (low/reverse clutch piston inner) | 1 | 79-85 | 8628246 | 13960 |
| D15 | Lip seal TH325/4L (low/reverse clutch piston outer) | 1 | 79-85 | 8628364 | 13964 |
| G16 | Gasket, valve body TH325 (spacer plate upper) | 1 | 79-81 | 8632831 | 13984 |
| G16 | Gasket, valve body TH325-4L (spacer plate upper) | 1 | 82-85 | 8659032 | 13985 |
| G17 | Gasket, valve body TH325 (spacer plate lower) | 1 | 79-81 | 8632832 | 13984A |
| G17 | Gasket, valve body TH325-4L (spacer plate lower) | 1 | 82-85 | 8639857 | 13985A |
| G18 | O'ring TH325/4L (governor cover) | 1 | 79-85 | 8660545 | 13760 |
| G19 | Seal, lathe cut (beveled) TH325-4L (1-2/3-4 accumulator piston) | 2 | 82-85 | 8635568 | 13965 |
| G20 | O'ring TH325-4L (case connector) | 1 | 82-85 | 6264903 | 3410L |
| F21 | O'ring TH325-4L (lock-up/TCC solenoid) | 1 | 82-85 | 8630052 | 13918 |
| F22 | Gasket, case cover TH325 | 1 | 79-81 | 8632019 | 13353 |
| F22 | Gasket, case cover TH325-4L | 1 | 82-85 | 8635013 | 13353A |
| G23 | Gasket, final drive TH325-4L (case) | 1 | 79-85 | 1627494 | 13354 |
| F24 | Gasket, driven sprocket support TH325 | 1 | 79-81 | 8632013 | 13351 |
| F24 | Gasket, driven sprocket support TH325-4L | 1 | 82-85 | 8635039 | 13352 |
| F25 | O'ring TH325-4L (input shaft) | 1 | 82-85 | 8630049 | 13917 |
| G27 | O'ring TH325/4L (filter intake tube) | 1 | 79-85 | 1363951 | 3547L |
| G28 | O'ring TH325/4L (intermediate servo cover) | 1 | 79-85 | 8628136 | 13920 |
| G29 | O'ring TH325/4L | 1 | 79-85 | 8622076 | 3718L |
| n/i | Lip seal w/o spring TH325/4L (w/o spring) | 1 | 79-85 | 1240382 | 3991LS |

TH325•325•TH325-4L

TH325•TH325-4L

| ILL | DESCRIPTION | QTY | YEAR | REFERENCE # | PART # | |
|--|---------------------------------------|--|------|-------------|-----------|----------|
| GASKETS AND RUBBER COMPONENTS (CONTINUED) | | | | | | |
| n/i | Lip seal w/spring | TH325/4L (with spring) | ar | 79-85 | 1240382HD | 3991L |
| n/i | Multi lip seal (boot) | TH325/4L (TV cable) | 1 | 79-85 | 25518260 | 13581 |
| n/i | Seal, metal clad | TH325/4L (reverse housing to case) | 1 | 79-85 | 8631577 | 13969 |
| n/i | Multi lip seal (boot) | TH325/4L (filler tube boot) | 1 | 79-85 | 1259475 | 13925 |
| n/i | Gasket, accumulator housing | TH325-4L | 1 | 82-85 | 8635093 | 13986 |
| n/i | O'ring | TH325-4L (4th clutch housing to cover) | 1 | 82-85 | 8622029 | 3499L |
| METAL CLAD SEALS | | | | | | |
| F31 | Seal, metal clad | TH325 (front) | 1 | 79-81 | 8670283 | 38151A |
| F31 | Seal, metal clad | TH325-4L (front) | 1 | 82-85 | 8657116 | 61151A |
| n/i | Seal, metal clad | TH325/4L (manual lever shaft) | 1 | 79-85 | 8623056 | 38511 |
| n/i | Seal, metal clad | TH325/4L (speedo housing) | 1 | 79-85 | 2558260 | 38511X |
| SEALING RINGS | | | | | | |
| K10 | Kit, sealing ring | TH325 (metal and teflon) | 1 | 79-81 | AE | K32903F |
| K10 | Kit, sealing ring | TH325-4L | 1 | 82-85 | AE | K32903E |
| K28 | Kit, lip seal | TH325-4L (intermediate servo) | 1 | 84-85 | AE | K32900-3 |
| F33 | Ring, sealing (teflon) | TH325/4L (pump cover) | 3 | 79-85 | 8628055 | 32300T |
| C34 | Ring, sealing (teflon) 1.063" od | TH325/4L (turbine shaft) | 1/2 | 79-85 | 8628090 | 32301T |
| F35 | Ring, sealing (metal) 1.135" od | TH325 (turbine shaft) | 1 | 79-81 | 8627565 | 32314 |
| F35 | Ring, sealing (teflon) | TH325-4L (support to sprocket) | 1 | 82-85 | 8635046 | 32330T |
| G36 | Ring, sealing | TH325/4L (intermediate band apply pin) | 2 | 79-85 | 8630120 | 32323T |
| G37 | Ring, sealing (teflon) | TH325/4L (governor) | 1 | 79-85 | 8632588 | 32315T |
| G38 | Ring, sealing (teflon) 1.998" od | TH325 (1-2 and 3-4 accumulator) | 1/2 | 79-82 | 8634161 | 32302T |
| G39 | Ring, sealing (teflon) | TH325/4L (intermediate servo outer) | 1 | 79-83 | 8628123 | 32303T |
| G40 | Ring, sealing (teflon) 2.360" od | TH325/4L (intermediate servo inner) | 1 | 79-83 | 8628697 | 32306T |
| G40 | Ring, sealing (teflon) 2.504" od | TH325/4L (intermediate servo inner) | 1 | 79-83 | 8630080 | 32307T |
| G41 | Ring, sealing (teflon) 2.360" od | TH325/4L (inter servo inner piston) (diesel) | 1 | 79-85 | 8628697 | 32306T |
| G41 | Ring, sealing (teflon) 2.140" od | TH325/4L (intermediate servo inner piston) | 1 | 79-85 | 8632149 | 32312T |
| F43 | Ring, sealing (teflon) .959"-.969" od | TH325-4L (turbine shaft center)(scarf cut) | 1 | 82-85 | 8635043 | 32316T |
| F43 | Ring, sealing (teflon) .829"-.839" od | TH325-4L (turbine shaft front)(solid) | 1 | 82-85 | 8635497 | 32317T |
| F43 | Ring, sealing (teflon) .743"-.753" od | TH325-4L (turbine shaft rear)(scarf cut) | 2 | 82-85 | 8635042 | 32318T |
| CLUTCH PLATES | | | | | | |
| A44 | Friction .080" 6.890" od 36T | TH325-4L (4th clutch)(overdrive large) | 2 | 82-85 | 8634691 | 32107 |
| A45 | Steel .080" 5.845" id 6T | TH325-4L (4th clutch)(overdrive) | 3 | 81-85 | 8634026 | 32109 |
| A46 | Friction .088" 5.090" od 40T | TH325-4L (overrun clutch) | 2 | 82-85 | 8657031 | 32108 |
| A47 | Steel .083" 3.954" id 36T | TH325/4L (overrun clutch) | 2 | 81-85 | 8634050 | 32110 |
| C48 | Friction .078" 5.225" od 30T | TH325/4L (forward/direct clutch) | 9/11 | 79-85 | 8648350 | 32103 |
| C49 | Steel .090" 4.342" id 30T | TH325/4L (direct clutch) | 5/6 | 79-85 | 8628484 | 32104 |
| C49 | Steel .100" 4.342" id 30T | TH325/4L (direct clutch oversize) | ar | 79-85 | 8628484OS | 32104X |
| C51 | Steel .078" 4.342" id 30T | TH325/4L (forward clutch) | 5/6 | 79-85 | 8628486 | 32100 |
| n/i | Steel, waved .062" 4.342" id 30T | TH325/4L (forward clutch cushion) | 1 | 79-85 | 8628085 | 32105 |
| E52 | Friction .075" 5.525" od 44T | TH325/4L (low/reverse clutch) | 6 | 79-85 | 8628804 | 32102A |
| E53 | Steel .078" 4.691" id 44T | TH325/4L (low/reverse clutch) | 5/6 | 79-85 | 8628224 | 32101 |
| E53 | Steel .088" 4.691" id 44T | TH325/4L (low/reverse clutch oversize) | ar | 79-85 | 86282240S | 32101X |
| E53 | Steel, waved .078" 4.691" id 44T | TH325/4L (low/reverse clutch cushion) | ar | 79-85 | 8633371 | 32101A |
| PRESSURE PLATES | | | | | | |
| A70 | Pressure plate .198" 5.02mm | TH325-4L (4th clutch) | 1 | 82-85 | 8634866 | 32714C-R |
| A71 | Pressure plate .198" 5.02mm | TH325-4L (overrun clutch) | 1 | 82-85 | 8634864 | 32714B-R |
| A72 | Pressure plate .250" 6.25mm | TH325/4L (forward/direct clutch) | 1 | 79-85 | 8628088 | 32714-R |
| A73 | Pressure plate .180" 4.55mm | TH325/4L (direct clutch) | 1 | 79-85 | 8678925 | 32714A-R |
| FILTERS | | | | | | |
| K9 | Kit, filter | TH325 (Duraprene®) | 1 | 79-81 | AE | DK32710F |
| K9 | Kit, filter | TH325 (neoprene/cork) | 1 | 79-81 | AE | FK32710F |
| K9 | Kit, filter | TH325-4L (Duraprene®) | 1 | 82-85 | AE | DK32710E |

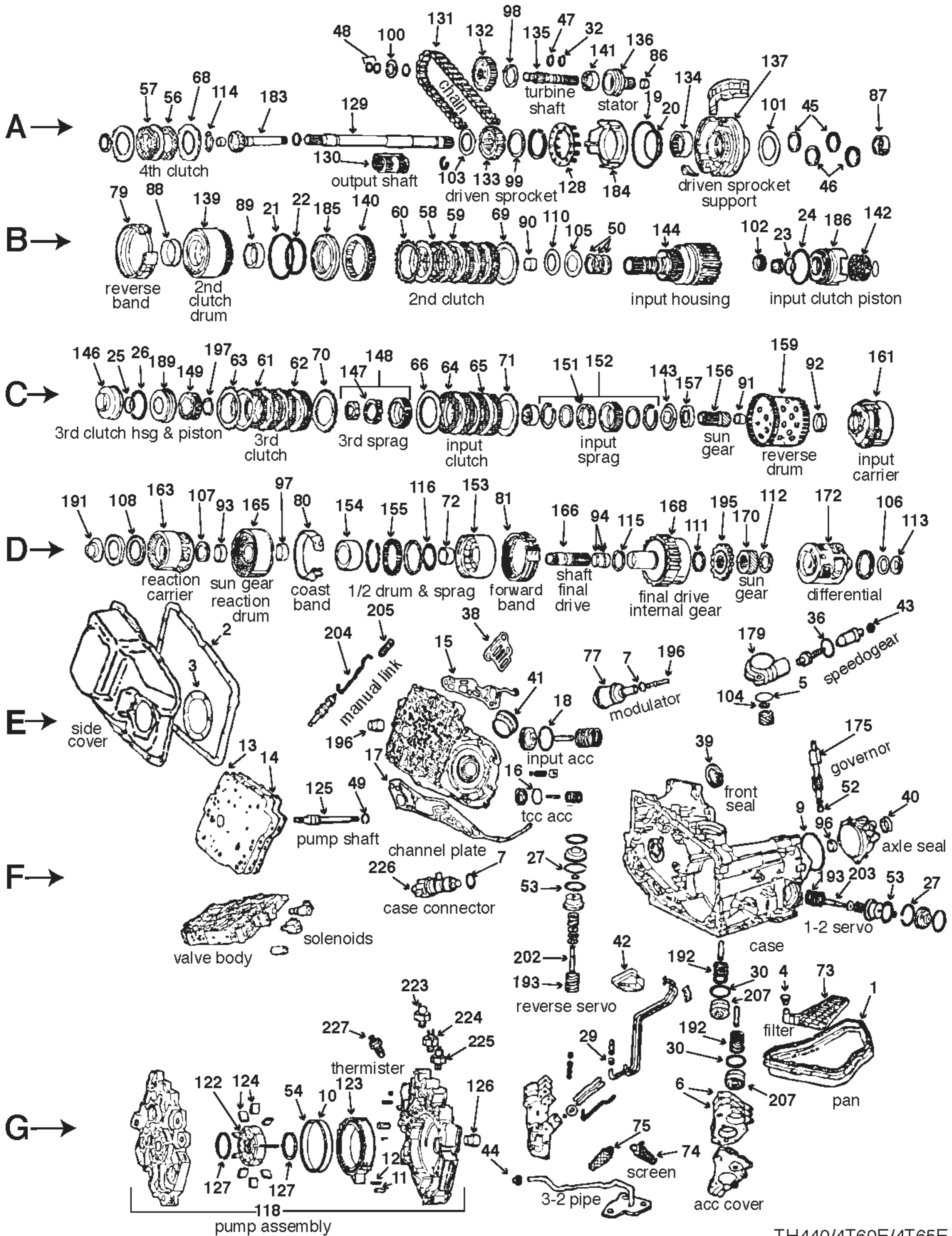
| ILL | DESCRIPTION | QTY | YEAR | REFERENCE # | PART # |
|-------------------------------------|--|-----|-------|-------------|----------|
| FILTERS (CONTINUED) | | | | | |
| K9 | Kit, filter TH325-4L (neoprene/cork) | 1 | 82-85 | AE | FK32710E |
| G54 | Filter TH325 | 1 | 79-81 | 8632997 | 32710F |
| G54 | Filter TH325-4L | 1 | 82-85 | 8635166 | 32710E |
| n/i | Screen, filter governor | 1 | 82-85 | 8635111 | 32712 |
| BANDS | | | | | |
| B55 | Band, flex TH325/4L (intermediate) | 1 | 79-85 | 8628098 | 32700F |
| BUSHINGS | | | | | |
| K13 | Kit, bushing TH325 (complete) | 1 | 79-81 | AE | K32901D |
| K13 | Kit, bushing TH325-4L (complete) | 1 | 82-85 | AE | K32901E |
| F56 | Bushing (babbit) TH325 (pump body) | 1 | 79-81 | 8623940 | 8005 |
| F56 | Bushing (babbit) TH325-4L (pump body) | 1 | 82-85 | 8649963 | 32005 |
| F57 | Bushing (not in kit) TH325-4L (drive sprocket) | 1 | 82-85 | | 32022 |
| F58 | Bushing (not in kit) TH325 (drive sprocket support/stator) | 1 | 79-81 | 8623944 | 34002 |
| F58 | Bushing (bronze) TH325-4L (drive sprocket support/stator) | 1 | 82-85 | 8628915 | 32006 |
| F59 | Bushing TH325/4L (driven sprocket support rear) | 1 | 79-85 | 8628916 | 32003 |
| B60 | Bushing TH325/4L (direct clutch drum front) | 1 | 79-85 | 8628918 | 32000 |
| B61 | Bushing 1.886" od 47.64mm TH325/4L (direct clutch drum rear) | 1 | 79-85 | 8628917 | 32001 |
| D62 | Bushing TH325/4L (reverse clutch housing) | 1 | 79-85 | 8628929 | 32008 |
| D63 | Bushing TH325/4L (rear sun gear) | 1 | 79-85 | 8628928 | 32007 |
| D64 | Bushing TH325/4L (front internal gear long) | 1 | 79-85 | 8630990 | 32002A |
| E65 | Bushing TH325/4L (rear carrier/planetary) | 1 | 79-85 | 8628947 | 32004 |
| A66 | Bushing TH325-4L (overdrive carrier/planetary) | 1 | 82-85 | 8631905 | 51011 |
| A67 | Bushing TH325-4L (overrun clutch housing) | 1 | 82-85 | 8634908 | 32014 |
| WASHERS/BEARINGS/RACES/SHIMS | | | | | |
| K12 | Kit, thrust bearing TH325 | 1 | 79-81 | BEARING KIT | K32906 |
| K14 | Kit, thrust washer TH325/4L (w/o selectives no bearings) | 1 | 79-85 | WASHER KIT | K32907D |
| K14 | Kit, planetary carrier washer TH325/4L (front 1 each selective) | 1 | 79-85 | WASHER KIT | K32907A |
| K14 | Kit, planetary carrier washer TH325/4L (rear 1 each selective) | 1 | 79-85 | WASHER KIT | K32907B |
| F84 | Thrust washer TH325/4L (case cover to direct drum) | 1 | 79-85 | 8632020 | 32420A |
| C87 | Thrust washer TH325/4L (direct drum to forward drum) | 1 | 79-85 | 8632504 | 32402A |
| D88 | Thrust washer TH325/4L (front internal gear to support) | 1 | 79-85 | 8628765 | 32403 |
| D89 | Washer, thrust (plastic) .060" (4 tabs) TH325/4L (input hsg to reverse clutch hsg) | 1 | 79-85 | 8228766 | 32406A |
| E90 | Thrust washer (plastic) TH325/4L (rear carrier/planet to low race) | 1 | 79-85 | 8628182 | 32408 |
| E91 | Thrust washer (metal) TH325/4L (rear carrier/planet to rear r/g) | 1 | 79-85 | 8628188 | 32409 |
| A92 | Bearing, thrust TH325-4L (overrun clutch hsg to washer) | 1 | 82-85 | 8635058 | 32426 |
| D93 | TW (plastic) .068" (white #1) TH325/4L (output shaft to forward drum) | sel | 79-85 | 8639291 | 32400 |
| D93 | TW (plastic) .073" (neutral #2) TH325/4L (output shaft to forward drum) | sel | 79-85 | 8639292 | 32400A |
| D93 | TW (plastic) .078" (black #3) TH325/4L (output shaft to forward drum) | sel | 79-85 | 8639293 | 32400B |
| D93 | TW (plastic) .083" (green #4) TH325/4L (output shaft to forward drum) | sel | 79-85 | 8639294 | 32400C |
| D93 | TW (plastic) .088" (red #5) TH325/4L (output shaft to forward drum) | sel | 79-85 | 8639295 | 32400D |
| D93 | TW (plastic) .093" (purple #6) TH325/4L (output shaft to forward drum) | sel | 79-85 | 8639296 | 32400E |
| D93 | TW (plastic) .098" (brown #7) TH325/4L (output shaft to forward drum) | sel | 79-85 | 8639297 | 32400F |
| D93 | TW (plastic) .103" (orange #8) TH325/4L (output shaft to forward drum) | sel | 79-85 | 8639298 | 32400G |
| D93 | TW (plastic) .108" (yellow #9) TH325/4L (output shaft to forward drum) | sel | 79-85 | 8639299 | 32400H |
| D93 | TW (plastic) .113" (lt blue #10) TH325/4L (output shaft to forward drum) | sel | 79-85 | 8639300 | 32400J |
| D93 | TW (plastic) .118" (lt tan #11) TH325/4L (output shaft to forward drum) | sel | 79-85 | 8639301 | 32400K |
| D93 | TW (plastic) .123" (tan #12) TH325/4L (output shaft to forward drum) | sel | 79-85 | 8639302 | 32400L |
| D93 | TW (plastic) .128" (rose #13) TH325/4L (output shaft to forward drum) | sel | 79-85 | 8639303 | 32400M |
| D93 | TW (plastic) .133" (lt green #14) TH325/4L (output shaft to forward drum) | sel | 79-85 | 8639304 | 32400N |
| D93 | TW (plastic) .138" (smoke #15) TH325/4L (output shaft to forward drum) | sel | 79-85 | 8639305 | 32400P |
| D94 | TW (metal) .117" (orange #1) TH325/4L (frt int gear washer to sun gear) | sel | 79-85 | 8628161 | 32212 |
| A95 | Bearing, thrust TH325-4L (overdrive planetary to sun gear) | 1 | 82-85 | 8634035 | 32425B |
| A96 | Thrust washer (steel) .065" (gray #1) TH325-4L (bearing to snap ring) | sel | 82-85 | 8635225 | 32500 |

TH325•325•TH325-4L

TH325•TH325-4L

| ILL | DESCRIPTION | QTY | YEAR | REFERENCE # | PART # | |
|---|--|---|------|-------------|---------|----------|
| WASHERS/BEARINGS/RACES/SHIMS (CONTINUED) | | | | | | |
| A96 | Thrust washer (stl) .073" (dark green #2) | TH325-4L (bearing to snap ring) | sel | 82-85 | 8635226 | 32500A |
| A96 | Thrust washer (steel) .079" (pink #3) | TH325-4L (bearing to snap ring) | sel | 82-85 | 8635227 | 32500B |
| A96 | Thrust washer (steel) .086" (brown #4) | TH325-4L (bearing to snap ring) | sel | 82-85 | 8635228 | 32500C |
| A96 | Thrust washer (steel) .093" (lt. blue #5) | TH325-4L (bearing to snap ring) | sel | 82-85 | 8635229 | 32500D |
| A96 | Thrust washer (steel) .100" (white #6) | TH325-4L (bearing to snap ring) | sel | 82-85 | 8635230 | 32500E |
| A96 | Thrust washer (steel) .107" (yellow #7) | TH325-4L (bearing to snap ring) | sel | 82-85 | 8635231 | 32500F |
| A96 | Thrust washer (steel) .114" (lt. green #8) | TH325-4L (bearing to snap ring) | sel | 82-85 | 8635232 | 32500G |
| A96 | Thrust washer (steel) .121" (orange #9) | TH325-4L (bearing to snap ring) | sel | 82-85 | 8635233 | 32500H |
| A96 | Thrust washer (steel) .128" (violet #10) | TH325-4L (bearing to snap ring) | sel | 82-85 | 8635234 | 32500J |
| A96 | Thrust washer (steel) .135" (red #11) | TH325-4L (bearing to snap ring) | sel | 82-85 | 8635235 | 32500K |
| A96 | Thrust washer (stl) .142" (dark blue #12) | TH325-4L (bearing to snap ring) | sel | 82-85 | 8635236 | 32500L |
| D97 | Bearing, thrust | TH325/4L (firt planetary to internal r/g) | 1 | 79-85 | 8628202 | 32404 |
| D98 | Bearing, thrust | TH325/4L (firt planetary to sun gear assy) | 1 | 79-85 | 8633875 | 32405 |
| E99 | Bearing, thrust | TH325/4L (rear ring gear to rear planetary) | 1 | 79-85 | 8628962 | 32409A |
| A99 | Bearing, thrust | TH325-4L (od planetary to od sprocket) | 1 | 82-85 | 8634035 | 32425B |
| n/i | Bearing, thrust | TH325/4L (speedo gear to governor cover) | 1 | 79-85 | 8635490 | 51466A |
| SNAP RINGS | | | | | | |
| D132 | Snap ring | TH325/4L (input drum to sun gear) | 1 | 79-85 | 8623105 | 32733-R |
| B146 | Snap ring | TH325-4L (4th clutch) | 1 | 82-85 | 8634023 | 32564-R |
| PUMP PARTS AND PUMPS | | | | | | |
| F100 | Pump, body w/gears | TH325 | 1 | 79-81 | 8625330 | 32200D-R |
| F100 | Pump, body w/gears | TH325-4L | 1 | 82-85 | 8635022 | 32200E-R |
| F101 | Plate, pump | TH325 | 1 | 79-81 | 8655935 | 32204 |
| n/i | Gear set, pump .727" | TH325 | 1 | 79-81 | AE | K35201B |
| n/i | Gear set, pump .778" | TH325-4L | 1 | 82-85 | AE | K32201C |
| HARD PARTS | | | | | | |
| A103 | Piston | TH325-4L (overdrive clutch) | 1 | 82-85 | 8634110 | 32724M-R |
| A108 | Gear, overdrive sun | TH325-4L | 1 | 82-85 | 8635033 | 32933-R |
| A109 | Planetary, carrier assembly | TH325-4L (overdrive) | 1 | 82-85 | 8635036 | 32936-R |
| A112 | Housing, overrun clutch | TH325-4L | 1 | 82-85 | 8635941 | 32941-R |
| B113 | Housing, 4th clutch | TH325-4L | 1 | 82-85 | 8635735 | 32911-R |
| B114 | Housing, direct clutch | TH325-4L | 1 | 79-85 | 8655936 | 32726A-R |
| C115 | Housing, forward clutch | TH325/4L | 1 | 79-85 | 8632918 | 32725D-R |
| D116 | Housing, low/reverse | TH325/4L | 1 | 79-85 | 8628212 | 32727-R |
| E118 | Race, inner | TH325/4L | 1 | 79-85 | 8628184 | 32430-R |
| G119 | Governor, assembly | TH325/4L | 1 | 79-85 | 8635481 | 32410F-R |
| G120 | Cover, governor | TH325/4L | 1 | 79-85 | 8643984 | 51936-R |
| D125 | Gear, front internal | TH325/4L | 1 | 79-85 | 8655931 | 32748D-R |
| D126 | Planetary, carrier assembly | TH325/4L (front) | 1 | 79-85 | 8632038 | 32747D-R |
| D127 | Gear, sun | TH325/4L (front) | 1 | 79-85 | 8632040 | 32728C-R |
| D128 | Shell, drive | TH325/4L | 1 | 79-85 | 8628203 | 32729 |
| D128 | Shell, drive | TH325/4L | 1 | 79-85 | 8628203 | 32729-R |
| E129 | Planetary, carrier assembly | TH325/4L (rear) | 1 | 79-85 | 8632044 | 32948-R |
| D130 | Gear, sun | TH325/4L (rear) | 1 | 79-85 | 8632041 | 32728D-R |
| E131 | Gear, rear ring | TH325/4L | 1 | 79-85 | 8632048 | 32949-R |
| B134 | Piston | TH325-4L (4th clutch) | 1 | 82-85 | 8628459 | 32928A-R |
| F138 | Shaft, turbine | TH325-4L (input) | 1 | 82-85 | 8635020 | 32907-R |
| C140 | Retainer, w/springs | TH325/4L (forward clutch) | 1 | 79-85 | 8628492 | 32751A-R |
| B141 | Guide, for retainer w/springs | TH325/4L (direct clutch) | 1 | 79-85 | 8630096 | 32751-R |
| B142 | Retainer, w/springs | TH325-4L (4th clutch) | 1 | 82-85 | 8635244 | 32751C-R |
| E143 | Spring, waved | TH325/4L (low/reverse clutch release) | 1 | 79-85 | 8628222 | 32551-R |
| A144 | Spring, waved | TH325-4L (overrun clutch release) | 1 | 82-85 | 8634116 | 32551A-R |
| A145 | Retainer, spring | TH325-4L (overrun clutch) | 1 | 82-85 | 8634061 | 32961-R |

| ILL | DESCRIPTION | QTY | YEAR | REFERENCE # | PART # |
|-------------------------------|--|-----|-------|-------------|----------|
| HARD PARTS (CONTINUED) | | | | | |
| F147 | Cover, case TH325 | 1 | 79-81 | 8632987 | 32945-R |
| F147 | Cover, case TH325-4L | 1 | 82-85 | 8635963 | 32945A-R |
| A153 | Cam, overdrive roller clutch TH325-4L (inner race) | 1 | 82-85 | 8635076 | 32976-R |
| F154 | Support, drive sprocket TH325 (stator) | 1 | 79-81 | 8632011 | 32994-R |
| F155 | Support, drive sprocket TH325-4L (stator) | 1 | 82-85 | 8635040 | 32994A-R |
| F156 | Support, drive sprocket TH325/4L | 1 | 79-85 | 8632015 | 32995-R |
| F158 | Sprocket, drive TH325-4L (overdrive) | 1 | 82-85 | 8635087 | 32996A-R |
| F159 | Chain, drive 1 3/4" wide TH325 | 1 | 79-81 | HV-010 | 32973 |
| F159 | Chain, drive 1 1/4" wide TH325-4L | 1 | 82-85 | HV-016 | 32973A |
| F160 | Sprocket, driven TH325-4L | 1 | 82-85 | 8635089 | 32997A-R |
| F161 | Bearing, ball .671" 1.377" id 2.837" od TH325/4L | 1/2 | 79-85 | 908320 | 6207N |
| F161 | Bearing, drive sprocket TH325/4L | 1 | 82-85 | 12338307 | 32922 |
| G162 | Link, throttle lever TH325/4L | 1 | 79-85 | 8657304 | 51985-R |
| G163 | Spring TH325/4L (intermediate servo) | 1 | 79-85 | 8628109 | 32709-R |
| G164 | Pin, band apply (no groove longest) TH325/4L | 1 | 79-85 | 8632976 | 32708 |
| G164 | Pin, band apply (1 groove) TH325/4L | 1 | 79-85 | 8632973 | 32708A |
| G164 | Pin, band apply (2 grooves) TH325/4L | 1 | 79-85 | 8632974 | 32708B |
| G164 | Pin, band apply (3 grooves) TH325/4L | 1 | 79-85 | 8632975 | 32708C |
| G164 | Pin, servo extendo TH325/4L | 1 | 79-85 | 65786E | 32708E |
| G166 | Spring TH325-4L (3-4 accumulator) | 1 | 82-85 | 8635277 | 32706C |
| G167 | Piston, (w/seal)(lg pin) TH325-4L (1-2/3-4 accumulator) | 1 | 82-85 | 8635909 | K61985 |
| G167 | Spring TH325-4L (1-2 accumulator) | 1 | 82-85 | 8635148 | 32706B |
| G168 | Pan, oil TH325/4L | 1 | 79-85 | 8635849 | 32954-R |
| F170 | Pan, side cover TH325-4L | 1 | 82-85 | 8635839 | 32975-R |
| n/i | Clip TH325 (speedo drive gear) | 1 | 79-81 | 8632589 | 32226B |
| n/i | Clip TH325/4L (speedo drive gear) | 1 | 79-85 | 8632059 | 32226C |
| n/i | Pin, throttle valve boost TH325/4L (solid) | 1 | 79-85 | M12712 | 51966 |
| n/i | Filler tube repair TH325/4L | 1 | 79-85 | M99100A | 96-140A |
| n/i | Clip TH325 (manual valve) | 1 | 79-81 | 8632003 | 96-167 |
| n/i | Cable, detent TH325/4L (universal) | 1 | 79-85 | K65940U | 63-399 |
| n/i | Grommet TH325/4L (shift linkage) | 1 | 79-85 | 22503153 | 96-125A |
| n/i | Ball, check (1/4" steel) TH325/4L | 4 | 79-85 | 6261179S | 13924S |
| n/i | Cup, plug TH325/4L (park pawl) | 1 | 79-85 | 8620318 | 13970 |
| ELECTRICAL COMPONENTS | | | | | |
| F170 | Solenoid, PT, 1G2, W/P, W/GR TH325-4L (lock-up/TCC 5.7L) | 1 | 82-85 | 8635921 | 5A-110 |
| F170 | Solenoid, PT, EG, W/4, W/P TH325-4L (lock-up/TCC 4.1L) | 1 | 82-85 | 8635920 | 5A-109 |
| F170 | Solenoid, V/6 250"/V8 305", PT, EG TH325-4L (lock-up/TCC) | 1 | 82-85 | 8635922 | 5A-111 |
| F170 | Solenoid, lock-up/TCC (universal) TH325-4L (lock-up/TCC) | 1 | 82-85 | 52-0210 | 5A-146 |
| F170 | Solenoid TH325-4L (lock-up/TCC) | 1 | 84-85 | 8635966 | 5A-112 |
| G18 | Connector, electrical (3 terminal square) TH325-4L (case) | 1 | 82-85 | 12015026 | 25A-103 |
| F172 | Switch, pressure (1 terminal) TH325-4L (4th) | 1 | 82-85 | 8634475 | 15A-112 |
| n/i | Switch, pressure TH325-4L (governor goes in valve body) | 1 | 82-85 | 8635516 | 15A-113 |
| SPRAGS | | | | | |
| E117 | Sprag, roller clutch TH325/4L (low/reverse) | 1 | 79-85 | 8628183 | 32502 |
| A152 | Roller clutch TH325-4L (overdrive) | 1 | 82-85 | 8635037 | 32963 |
| A152 | Roller clutch TH325-4L (overdrive) | 1 | 82-85 | 8635037 | 32963-R |
| NOTES | | | | | |
| | | | | | |
| | | | | | |
| | | | | | |
| | | | | | |
| | | | | | |



4T65E has no modulator

TH440/4T60E/4T65E
66000/A/B

| ILL | DESCRIPTION | QTY | YEAR | REFERENCE # | PART # |
|--------------------------|--|-----|-------|----------------|-----------|
| TECHNICAL MANUALS | | | | | |
| K53 | Tech manual TH440-T4/4T60 dis/assembly diagnosis/troubleshooting | 1 | 83-93 | 83-440TTM | 010-308 |
| K53 | Tech manual 4T60-E dis/assembly diagnosis/troubleshooting | 1 | 91-00 | 83-4T60ETM | 010-313 |
| K53 | Update handbook changes, parts interchangeability and part # TH440-T4 | 1 | 83-89 | 83-440TTM-U1 | 010-312 |
| K53 | Update handbook changes, parts interchangeability and part # TH440-T4 | 1 | 90-92 | 83-440TTM-U2 | 010-315 |
| K53 | Tech manual 4T65-E dis/assembly diagnosis/troubleshooting | 1 | 97-06 | 83-4T65ETM | 010-324 |
| K53 | Tech manual update handbook 4T65E changes/interchangeability | 1 | 97-06 | 4T65E-update | 010-321 |
| REBUILDER KITS | | | | | |
| K4 | Master deluxe rebuild kit TH440-T4/4T60 | 1 | 83-86 | AE | K6600-R |
| K4 | Master deluxe rebuild kit TH440-T4/4T60 | 1 | 83-93 | AE | K6600A-R |
| K4 | Master deluxe rebuild kit 4T60-E | 1 | 91-93 | AE | K6600E-R |
| K4 | Master deluxe rebuild kit 4T65-E | 1 | 97-00 | AE | K6600B-R |
| K4 | Master deluxe rebuild kit 4T60-E | 1 | 94-00 | AE | K6600C-R |
| K4 | Master deluxe rebuild kit 4T65-E | 1 | 01-02 | AE | K6600D-R |
| K4 | Master deluxe rebuild kit 4T65-E | 1 | 03-09 | AE | K6600F-R |
| K5 | Master kit w/steels TH440-T4/4T60 | 1 | 83-86 | AE | K6600 |
| K5 | Master kit w/steels TH440-T4/4T60 | 1 | 83-93 | AE | K6600A |
| K5 | Master kit w/steels 4T60-E | 1 | 91-93 | AE | K6600E |
| K5 | Master kit w/steels 4T65-E | 1 | 97-00 | AE | K6600B |
| K5 | Master kit w/steels 4T60-E | 1 | 94-00 | AE | K6600C |
| K5 | Master kit w/steels 4T65-E | 1 | 01-02 | AE | K6600D |
| K5 | Master kit w/steels w/o manual shift 4T65-E | 1 | 03-09 | AE | K6600F |
| K5 | Master kit w/steels w/manual shift 4T65-E | 1 | 04-09 | AE | K6600G |
| K5 | Master kit w/steels Volvo | 1 | 99-02 | AE | K6600H |
| K6 | Master kit w/o steels TH440-T4/4T60 | 1 | 83-86 | AE | K6600-LS |
| K6 | Master kit w/o steels TH440-T4/4T60 | 1 | 86-93 | AE | K6600A-LS |
| K6 | Master kit w/o steels 4T60-E | 1 | 91-93 | AE | K6600E-LS |
| K6 | Master kit w/o steels 4T65-E | 1 | 97-00 | AE | K6600B-LS |
| K6 | Master kit w/o steels 4T60-E | 1 | 94-00 | AE | K6600C-LS |
| K6 | Master kit w/o steels 4T65-E | 1 | 01-02 | AE | K6600D-LS |
| K6 | Master kit w/o steels w/o manual shift 4T65-E | 1 | 03-09 | AE | K6600F-LS |
| K6 | Master kit w/o steels w/manual shift 4T65-E | 1 | 04-09 | AE | K6600G-LS |
| K6 | Master kit w/o steels Volvo | 1 | 99-02 | AE | K6600H-LS |
| K7 | O/H gasket set w/seals-rings TH440-T4/4T60 | 1 | 83-93 | AE | K66900 |
| K7 | O/H gasket set w/seals-rings 4T60-E | 1 | 91-00 | AE | K66900A |
| K7 | O/H gasket set w/seals-rings 4T65-E | 1 | 97-09 | AE | K66900B |
| K7 | O/H gasket set w/seals-rings Volvo | 1 | 99-02 | AE | K66900H |
| K8 | External seal kit TH440-T4/4T60 | 1 | 83-93 | AE | K66900-2 |
| K11 | Gasket and seal kit TH440-T4/4T60 | 1 | 83-93 | AE | K66900-1 |
| K11 | Gasket and seal kit 4T60-E | 1 | 91-00 | AE | K66900A-1 |
| K11 | Gasket and seal kit 4T65-E | 1 | 97-09 | AE | K66900B-1 |
| VALVE BODY KITS | | | | | |
| K15 | Shift Kit® 3 pack TH440 (fix 3-VB/servo/drum/accm/cl parts) | 1 | 83-93 | SK® 440-3 | K66908 |
| K15 | Shift Kit®-Jr (fix sticking TV) TH440 (2nd clutch fail up shifts/LU/PR) | 1 | 83-93 | SK® 440-Jr | K66908A |
| K15 | Reverse cushion kit TH440 (correct slide bang rev) | 1 | 83-93 | 440RK | K66908B |
| K15 | Lube and end play kit TH440 (reduces 3rd roller burn up) | 1 | 83-93 | SK® 440LK | K66908C |
| K15 | Shift Kit® reduce codes P01811/0741 4T65E (no 4th/low press) | 1 | 97-04 | SK® 4T65E | K66908D |
| K15 | Shift Kit®-Jr (fixes converter shudder) 4T60E (worn valve body) | 1 | 91-00 | SK® 4T60E-Jr | K66908E |
| K15 | Converter Shudder Kit® (corrects/reduces) 4T60E (light throttle lock-up shudder) | 1 | 91-00 | SK® 4T60E-LUK™ | K66908S |
| K15 | Shift correction pkg (TCC shudder) TH440 (soft 1-2/burned 2nd and 3rd clutch) | 1 | 83-93 | K440-T4 | S66908A |
| K15 | Shift correction pkg (low line press) 4T65E (exces TCC slip/slide bang fwd eng) | 1 | 97-05 | K4T65E | S66908D |
| | | | | | |
| | | | | | |
| | | | | | |

440•TH440-T4•4T60•4T60E•4T65E

TH440-T4•4T60•E•4T65E

| ILL | DESCRIPTION | QTY | YEAR | REFERENCE # | PART # | |
|--------------------------------------|-----------------------------------|---|------|-------------|----------|---------|
| GASKETS AND RUBBER COMPONENTS | | | | | | |
| F1 | Gasket, oil pan | TH440 (neoprene/cork) | 1 | 83-92 | 8656396 | 13966X |
| F1 | Gasket, oil pan | TH440 (Duraprene®) | 1 | 83-92 | 8668028 | 13966D |
| F1 | Gasket, oil pan | 4T60E/65E (neoprene/cork) | 1 | 91-09 | 8676250 | 13997X |
| F1 | Gasket, oil pan | 4T60E/65E (Duraprene®) | 1 | 91-09 | 8676250 | 13997D |
| F1 | Gasket, oil pan | 4T60E/65E (8mm elasomeric) | 1 | 91-98 | 8676250 | 13997R |
| F1 | Gasket, oil pan | 4T60E/65E (6mm elasomeric) | 1 | 98-09 | 24206182 | 13997AR |
| E2 | Gasket, side cover | TH440/4T60E (outer neoprene/cork) | 1 | 83-00 | 8656397 | 13450 |
| E2 | Gasket, side cover | TH440/4T60E (outer Duraprene®) | 1 | 83-00 | 8656397 | 13450D |
| E2 | Gasket, side cover | 4T60E (outer molded rubber) | 1 | 94-97 | 8683803 | 13450R |
| E2 | Gasket, side cover | 4T65E (outer molded rubber) | 1 | 97-09 | 24204795 | 13450AR |
| E3 | Gasket, side cover | TH440/4T60E (inner neoprene/cork) | 1 | 83-93 | 8656398 | 13451 |
| E3 | Seal, lathe cut | 4T60E (side cover inner) | 1 | 94-00 | 24200061 | 3292L |
| E3 | Seal, lathe cut | 4T65E (side cover inner) | 1 | 97-09 | 24205119 | 3293L |
| F4 | Multi-lip seal | TH440/4T60E/65E (press in case) | 1 | 83-09 | 8656613 | 13987 |
| E5 | O'ring | TH440 (governor cover) | 1 | 83-91 | 8660545 | 13760 |
| G6 | Gasket, accumulator cover | TH440 | 2 | 83-91 | 8658073 | 13452 |
| G6 | Gasket, accumulator cover w/plate | 4T60E | 1 | 91-00 | 8682085 | 13452A |
| G6 | Gasket, accumulator cover w/plate | 4T65E | 1 | 97-09 | 24205621 | 13452B |
| F7 | O'ring | (modulator/electrical connector) | 1/2 | 83-00 | 10054241 | 3410L |
| F7 | O'ring | 4T60E (electrical connector) | 1 | 91-00 | 8651621 | 23074 |
| E9 | Seal, lathe cut | 4T60E/65E (case to extension housing) | 1 | 91-09 | 8651419 | 24091 |
| G10 | O'ring | pump slide | 1 | 83-09 | 8656760 | 13789 |
| G11 | Seal (rubber) | pump slide (round rubber) | 1 | 83-09 | 8631283 | 13762 |
| G12 | Seal (teflon) | pump slide (rectangle teflon) | 1 | 83-09 | 8631877 | 13768 |
| E13 | Kit, gasketsvalve body | F7 | 1 | 87-92 | 8668401 | 13780 |
| E13 | Gasket, valve body | spacer plate to valve body (stamped 712) | 1 | 83-85 | 8656712 | 13797 |
| E13 | Gasket, valve body | spacer plate to VB (stamped 813/848/882) | 1 | 85-91 | 8656813 | 13797A |
| E13 | Gasket, valve body | 4T60E (spacer plate to valve body) | 1 | 91-92 | 8678762 | 13797B |
| E13 | Gasket, valve body | 4T60E (spacer plate to valve body) | 1 | 93-00 | 8682281 | 13797C |
| E13 | Gasket, valve body (exc. Volvo) | 4T65E (spacer plate to valve body) | 1 | 97-09 | 24206575 | 13797D |
| E13 | Kit, gaskets valve body | Volvo | 1 | 99-02 | AE | K13796 |
| E14 | Gasket, valve body | spacer plate to channel plate stamped 713 | 1 | 83-85 | 8656713 | 13796 |
| E14 | Gasket, valve body | spacer plate to channel plate stamped 848 | 1 | 85-91 | 8662848 | 13796A |
| E14 | Gasket, valve body | 4T60E (spacer plate to channel plate) | 1 | 91-92 | 8688761 | 13796B |
| E14 | Gasket, valve body | 4T60E (spacer plate to channel plate) | 1 | 93-00 | 8682280 | 13796C |
| E14 | Gasket, valve body (exc. Volvo) | 4T65E (spacer plate to channel plate) | 1 | 97-06 | 24204500 | 13796D |
| E15 | Gasket, channel plate | TH440 (upper) | 1 | 83-85 | 8656037 | 13806 |
| E15 | Gasket, channel plate | 4T60E (upper) | 1 | 85-00 | 8668064 | 13806A |
| E15 | Gasket, channel plate | 4T65E (upper) | 1 | 97-09 | 24204503 | 13806B |
| E16 | Seal, lathe cut | TH440 (TCC accumulator) | 1 | 83-85 | 8649429 | 23046 |
| E16 | Seal, lathe cut | TH440/4T60E/65E (TCC accumulator) | 1 | 85-09 | 8658086 | 23050 |
| E17 | Gasket, channel plate | TH440 (lower) | 1 | 83-91 | 8649830 | 13805 |
| E17 | Gasket, channel plate | 4T60E (lower) | 1 | 91-00 | 8651615 | 13805A |
| E17 | Gasket, channel plate | 4T65E (lower) | 1 | 97-09 | 24212897 | 13805B |
| E18 | Seal, lathe cut (teflon) | input clutch accm (2nd design) | 1 | 84-09 | 8649773 | 66392T |
| A19 | Lip seal | TH440/4T60E/65E (4th clutch piston outer) | 1 | 83-09 | 8644061 | 23156 |
| A19 | Lip seal | F7 (4th clutch piston outer Allante only) | 1 | 87-92 | 8661013 | 23156A |
| A20 | Lip seal | TH440 (4th clutch piston inner) | 1 | 83-09 | 8644066 | 23155 |
| B21 | Lip seal | TH440 (2nd clutch piston outer) | 1 | 83-91 | 8656472 | 23154 |
| B22 | Lip seal | TH440 (2nd clutch piston inner viton) | 1 | 83-91 | 8668074 | 23153 |
| B23 | Lip seal | input clutch piston inner long | 1 | 83-09 | 8651443 | 23151 |
| C24 | Lip seal | input clutch piston outer | 1 | 83-09 | 8649837 | 23157 |
| C25 | Lip seal | TH440 (3rd clutch inner) | 1 | 83-91 | 8662673 | 13791 |

| ILL | DESCRIPTION | QTY | YEAR | REFERENCE # | PART # |
|--|--|-----|-------|-------------|---------|
| GASKETS AND RUBBER COMPONENTS (CONTINUED) | | | | | |
| C26 | Lip seal TH440 (3rd clutch outer) | 1 | 83-06 | 8644156 | 13799 |
| F27 | O'ring TH440 (reverse and 1-2 servo cover) | 2 | 83-91 | 8658111 | 13803 |
| F27 | O'ring 4T60E (reverse servo cover) | 1 | 91-00 | 8658111 | 13803 |
| F27 | O'ring 4T60E (forward servo cover) | 1 | 91-00 | 8651567 | 13803A |
| F27 | O'ring 4T65E (reverse servo cover) | 1 | 97-09 | 24203073 | 13803B |
| G29 | Seal TH440 (1-2 servo pipes) | 2 | 83-93 | 8656568 | 23463 |
| F30 | Seal, lathe cut (beveled) 1-2/3-4/2-3 accumulator piston | 2 | 83-09 | 8678473 | 13965 |
| A32 | O'ring (teflon coated/green) TH440/4T60E/65E (turbine shaft) | 1 | 84-09 | 8662686 | 13766 |
| E36 | O'ring TH440 (speedo gear housing) | 1 | 83-91 | 8622076 | 3718L |
| G37 | Lip seal reverse servo piston 2nd design | 1 | 83-09 | 8658162 | 23163 |
| E38 | Gasket, modulator port TH440 (center) | 1 | 83-85 | 8656002 | 13807 |
| F42 | Gasket, governor tube retainer TH440 (to case) | 1 | 83-91 | 8656385 | 13798 |
| E43 | Lip seal w/o spring TH440 (speedometer housing inner) | 1 | 83-91 | 1240382 | 3991LS |
| E43 | Lip seal w/spring TH440 (speedometer housing inner) | 1 | 83-91 | 25519078 | 3991L |
| A46 | Ring, expander (rubber) TH440/4T60E (2nd clutch) | 2 | 87-98 | 8662329 | 13792 |
| n/i | Ball, check (1/4" steel) TH440/4T60E/65E | 13 | 83-09 | 147485 | 13924S |
| n/i | Seal 1-2 servo tubes to valve body | 2 | 83-09 | 8656567 | 23462 |
| n/i | Seal, lathe cut TH440/4T60E (lube oil tube) | 1 | 83-09 | 8649379 | 13802 |
| n/i | Multi lip seal (boot) TH440/4T60E/65E (oil filler tube) | 1 | 83-09 | 1259475 | 13925 |
| n/i | O'ring TH440/4T60E (actuator guide) | 1 | 83-09 | 8646372 | 23018 |
| n/i | O'ring converter clutch orifice screen | 1 | 83-09 | 8658109 | 13795 |
| n/i | O'ring input clutch to 3rd clutch | 1 | 83-09 | 14462374 | 23053 |
| n/i | Gasket, release cover plate TH440 (to valve body) | 1 | 84-85 | 8656083 | 23216 |
| n/i | Multi lip seal (boot) TH440 (throttle valve cable) | 1 | 84-91 | 25518260 | 13581 |
| n/i | Gasket, release cover plate and 3-2 tube TH440 (plate and tube assy to valve body) | 1 | 86-91 | 8662841 | 23266 |
| n/i | Seal, lathe cut 4T60E/65E (3-4 accm piston) | 1 | 91-09 | 8678886 | 13965A |
| n/i | Kit, speed sensor TH440 (contains O'ring and gasket) | 1 | 83-91 | 4845 | 24010 |
| n/i | Lip seal 4T60E (reverse servo piston 2nd design) | 2 | 91-09 | 8658162 | 23163 |
| n/i | Seal, lathe cut (thin) 4T60E (2-1 manual servo cover to case) | 1 | 91-95 | 8651648 | 24088 |
| n/i | Seal, lathe cut (thick) 4T60E/65E (2-1 manual servo cover to case) | 1 | 95-09 | 24204386 | 24088A |
| n/i | Lip seal 4T60E/65E (2-1 manual servo piston) | 1 | 91-09 | 8651549 | 24090 |
| n/i | O'ring 4T60E/65E (2-1 manual servo body) | 1 | 91-09 | 8651541 | 24089 |
| n/i | Seal, lathe cut 4T65E (forward servo cover) | 1 | 97-09 | 24204374 | 23554 |
| n/i | O'ring 4T65E (3-4 accm hsg to channel plate) | 1 | 97-09 | 24204380 | 13716 |
| n/i | O'ring 4T65E (PWM solenoid inner) | 1 | 97-09 | 24204409 | 13710 |
| n/i | O'ring 4T65E (press control solenoid inner) | 1 | 97-09 | 8634188 | 23071 |
| n/i | O'ring 4T65E (press control solenoid outer) | 1 | 97-09 | 8642581 | 23015 |
| n/i | O'ring 4T65E (shift control solenoid) | 2 | 97-09 | 8634188 | 23071 |
| n/i | O'ring 4T65E (TCC regulator apply solenoid) | 1 | 97-09 | 8684877 | 23066 |
| n/i | Seal 4T65E (press switch manifold large) | 3 | 97-09 | n/a | 23464 |
| n/i | Seal 4T65E (press switch manifold small) | 3 | 97-09 | n/a | 23465 |
| METAL CLAD SEALS | | | | | |
| E39 | Seal, metal clad TH440/4T60E/65E (front) | 1 | 83-09 | 8664812 | 51200A |
| E39 | Seal, metal clad (not in kit)(yellow) 4T65E (front RPO M15 only) | 1 | 97-09 | 24204772 | 66200 |
| E40 | Seal, metal clad TH440/4T60E/65E (right axle) | 1 | 83-09 | 8666007 | 51201 |
| E40 | Seal, metal clad for axle stabilizer drive in type-Teckpak | 1 | 83-09 | TC-1.375 | 51204 |
| E41 | Seal, metal clad TH440/4T60E (left axle) | 1 | 83-97 | 8646637 | 66220 |
| E41 | Seal, metal clad 4T65E (left axle) | 1 | 97-09 | 24204330 | 66222 |
| G44 | Seal, metal clad TH440/4T60E (3-2 maneuver tube) | 1 | 87-91 | 8662391 | 66221 |
| n/i | Seal, metal clad TH440/4T60E/65E (manual lever shaft) | 1 | 83-09 | 8644709 | 51202A |
| SEALING RINGS | | | | | |
| K10 | Kit, sealing ring-w/o quad seals TH440/4T60E | 1 | 83-00 | AE | K66300T |
| K10 | Kit, 2nd clutch hub quad seal ring TH440/4T60E | 1 | 87-06 | AE | K66301 |

440•TH440-T4•4T60•4T60E•4T65E

TH440-T4•4T60•E•4T65E

| ILL | DESCRIPTION | QTY | YEAR | REFERENCE # | PART # |
|----------------------------------|--|-----|-------|-------------|----------|
| SEALING RINGS (CONTINUED) | | | | | |
| A45 | Ring, sealing (metal) 4T60 (driven support to 2nd clutch hub) | 2 | 83-86 | 8658098 | 66320 |
| A45 | Ring, sealing (vespel step joint tabs) 4T60/E (driven support to 2nd clutch hub) | 2 | 87-00 | 8662330 | 66320AT |
| A45 | Ring, sealing (plastic) 4T60E/65E (driven sprocket support) | 2 | 98-09 | 24209498 | 66320P |
| A47 | Ring, sealing (teflon) solid TH440/4T60E/65E (front) | 1 | 83-09 | 8637170 | 51310T |
| A48 | Ring, sealing (teflon) solid TH440/4T60E/65E (rear) | 2 | 83-09 | 8643058 | 51307T |
| E49 | Ring, sealing (teflon) TH440/4T60E (pump shaft) | 1 | 83-09 | 8631211 | 51301T |
| B50 | Ring, sealing (teflon) TH440/4T60E/65E (input housing shaft) | 3 | 83-09 | 8656342 | 66321T |
| E52 | Ring, sealing (teflon) TH440 (governor shaft) | 1 | 83-91 | 8632588 | 32315T |
| F53 | Ring, sealing (teflon) TH440 (1-2 servo piston) | 1 | 83-92 | 8658160 | 66326T |
| G54 | Ring, sealing 86.40mm x 2.210mm (solid) TH440/4T60E/65E (pump slide to cover) | sel | 83-09 | 8644922 | 66325 |
| CLUTCH PLATES | | | | | |
| A56 | Friction .080" 5.312" od 18T 4th clutch use w/1st design short piston | 1 | 83-84 | 8658209 | 66104 |
| A56 | Friction .090" 5.312" od 18T TH440 (4th clutch) | 1 | 84-92 | 18017245 | 66104A |
| A56 | Friction .070" F7 (4th clutch) | 2 | 87-92 | 8661005 | 66104B |
| A56 | Friction .069" 5.312" od 32T 4T65E (4th clutch) | 2 | 97-09 | 24218248 | 66104C |
| A56 | Friction .060" 32T 1 sided internal teeth Volvo 4T65E (4th clutch) | 2 | 99-02 | 24218251 | 66104D |
| A56 | Friction .060" 3T 1 sided external teeth Volvo 4T65E (4th clutch) | 2 | 99-02 | 24218250 | 66104E |
| A56 | Friction .060" 3.581" id 3T 1 sided ext T 4T65E (4th clutch w/manual shift) | 2 | 04-09 | 24224890 | 66104F |
| A56 | Kit, bent tooth 4th clutch repair TH440 | 1 | 83-93 | 62758 | K66104 |
| A56 | Kit, bent tooth 4th clutch repair F7 4T60E (1987-93 1990-92) | 1 | 87-93 | 62758A | K66104A |
| A56 | Kit, bent tooth 4th clutch repair 4T60E | 1 | 93-99 | 62758B | K66104B |
| A57 | Steel .080" 3.471" id 5T except F7 (4th clutch) | 2 | 83-97 | 8650767 | 66204 |
| A57 | Steel .083" 3.513" id 3T 4T60E/65E (4th clutch) | 2 | 97-09 | 24208014 | 66204C |
| A57 | Steel .074" 3.471" id 5T F7/4T60E (4th clutch) | 2 | 87-92 | 8661006 | 66204F |
| A57 | Steel .084" 3.513" id 3T 4T65E (w/manual shift) | 2 | 04-09 | 24224888 | 66204D |
| A57 | Steel .083" 3.502" id 5T w/manual shift (top plate) | 1 | 06-09 | 24224892 | 66204E |
| B58 | Friction .070" (grooved) TH440/4T60E (2nd clutch) | 5/6 | 83-00 | 8662912 | 66102A |
| B58 | Friction .070" 4T65E (2nd clutch) | 6 | 97-09 | 24205361 | 66102C |
| B58 | Friction .060" (commercial) TH440/4T60E/65E (2nd clutch) | 6/7 | 83-09 | 8656629 | 66102X |
| B58 | Kit, 2nd clutch (commercial) 7 special frictions/steels and press plate | 1 | 83-97 | 62756 | K66102X |
| B59 | Steel .090" (Kolene®) TH440 (2nd clutch) | 5 | 83-86 | 8662309 | 66202A |
| B59 | Steel .077" (Kolene®) TH440/4T60E (2nd clutch) | 6 | 87-99 | | 66202D |
| B59 | Steel .067" (commercial) TH440/4T60E (2nd clutch) | ar | 83-99 | 8662309 | 66202X |
| B59 | Steel .068" 4T65E (2nd clutch) | 5 | 97-09 | 24204104 | 66202C |
| B60 | Steel, waved .044" TH440/4T60E (2nd clutch)(cushion) | 1 | 84-99 | 8658463 | 66202B |
| B60 | Steel, waved .065" 4T65E (2nd clutch)(cushion) | 1 | 97-09 | 24202950 | 66202E |
| B60 | Steel .090" (oversize) 4T65E (2nd clutch) | ar | 97-09 | 24204104 | 66202F |
| C61 | Friction .089" 2 sided TH440 (3rd clutch) | 4 | 83-88 | 8662911 | 66103 |
| C61 | Friction .083" 1 sided internal teeth TH440 (3rd clutch) | 4 | 85-88 | 8658042 | 66103A |
| C61 | Friction .079" 1 sided internal teeth 4T60E/65E (3rd clutch) | 5 | 89-00 | 18017205 | 66103C |
| C61 | Friction .082" 1 sided internal teeth 4T65E (3rd clutch) | 5 | 01-09 | 24216287 | 66103E |
| C62 | Friction .083" 1 sided external teeth TH440 (3rd clutch) | 4 | 83-88 | 8658043 | 66103B |
| C62 | Friction .079" 1 sided external teeth 4T60E/65E (3rd clutch) | 5 | 89-00 | 8668361 | 66103D |
| C62 | Friction .078" 1 sided external teeth 4T65E (3rd clutch) | 5 | 01-09 | 24216288 | 66103F |
| C62 | Kit, 3rd clutch Z-pak 4T65E | 1 | 97-09 | RZP-003 | K66103Z |
| C63 | Steel, waved .030" TH440/4T60E (3rd clutch)(cushion) | 1 | 84-97 | 8656645 | 66203B |
| C63 | Steel, waved .050" 4T65E (3rd clutch)(cushion) | 1 | 98-09 | n/a | 66203C-R |
| C63 | Steel .090" TH440/4T60E (3rd clutch) | 4/1 | 83-94 | 8656313 | 66203 |
| C64 | Friction .090" TH440 (forward input clutch) | 4 | 83-94 | 8662850 | 66106 |
| C64 | Friction .065" 32T 4T60E/65E (forward input clutch) | 4 | 94-02 | 24202333 | 66106A |
| C64 | Friction, waved 30T 4T65E (forward input clutch) | 4 | 03-09 | 24216502 | 66106B |
| C65 | Steel .080" 3.520" id 26T TH440 (forward input clutch) | 3/4 | 83-90 | 8631379 | 51100 |
| C65 | Steel .050" 3.520" id 26T 4T60E (forward input clutch) | 3 | 91-94 | 8651446 | 66100 |

| ILL | DESCRIPTION | QTY | YEAR | REFERENCE # | PART # | |
|----------------------------------|---|---|------|-------------|-----------|----------|
| CLUTCH PLATES (CONTINUED) | | | | | | |
| C65 | Steel, waved .050" 3.520" id 26T | 4T60E/65E (forward input clutch)(cushion) | 1 | 90-09 | 8675257 | 51105 |
| n/i | Kit, clutch clearance | 4T65E (2nd/3rd and forward clutch) | 1 | 97-09 | APC-62759 | K66103X |
| PRESSURE PLATES | | | | | | |
| C66 | Pressure plate .126"-.132" code D/9 | forward input (apply) | 1 | 83-09 | 8682801 | 51714E-R |
| A68 | Pressure plate .205" (w/step) | 4th clutch (apply)(exc F7/4T60E) | 1 | 83-88 | 8649831 | 66210-R |
| A68 | Pressure plate .160" | F7/4T60E (4th clutch apply) | 1 | 87-92 | 8661004 | 66210F |
| A68 | Pressure plate .160" | F7/4T60E (4th clutch apply) | 1 | 87-92 | 8661004 | 66210F-R |
| A68 | Pressure plate .133" | 4th clutch (apply)(backing) | 2/3 | 93-00 | 8680771 | 66210G |
| A68 | Pressure plate .126" | 4T65E (4th clutch apply) | 1 | 97-09 | 24208014 | 66210H |
| A68 | Pressure plate .118" | 4T65E (4th clutch apply) | 1 | 04-09 | 24224893 | 66210M |
| B69 | Pressure plate .158" (up) | TH440 (2nd clutch backing) | 1 | 83-86 | 8662957 | 66210A-R |
| B69 | Pressure plate w/snap ring groove | TH440 (2nd clutch backing) | 1 | 87-89 | 8662010 | 66210E-R |
| B69 | Pressure plate .390" | TH440/F7/4T60E (2nd clutch) | 1 | 89-00 | 8668566 | 66210B-R |
| B69 | Pressure plate | 4T65E (2nd clutch backing) | 1 | 97-09 | 24204105 | 66210J-R |
| B69 | Pressure plate | 4T65E (2nd clutch apply) | 1 | 97-09 | 24204103 | 66210K-R |
| B69 | Pressure plate .135" | 4T60E (2nd clutch apply) | 1 | 91-00 | 8680367 | 66210L-R |
| C70 | Pressure plate | TH440 (3rd clutch) | 1 | 83-86 | 8656315 | 66210C |
| C70 | Pressure plate .157" | TH440/4T60E/65E (3rd clutch) | 1 | 87-09 | 8658313 | 66210D-R |
| C71 | Pressure plate .192" 4.89-4.99mm | forward input clutch (backing) | 1 | 83-09 | 8658146 | 51714-R |
| FILTERS | | | | | | |
| K9 | Kit, filter | TH440 (Duraprene®) | 1 | 83-92 | AE | DK66710 |
| K9 | Kit, filter-late filter w/MCS | TH440 (neoprene and cork) | 1 | 83-92 | AE | FK66710 |
| K9 | Kit, filter-late filter w/MCS | 4T60E/65E (neoprene and cork) | 1 | 91-09 | AE | FK66710A |
| K9 | Kit, filter-late filter w/MCS | 4T60E/65E (Duraprene®) | 1 | 91-09 | AE | DK66710A |
| K9 | Kit, filter-late filter w/MCS | 4T60E/65E (8mm elasomeric) | 1 | 91-98 | AE | EK66710A |
| K9 | Kit, filter-late filter w/MCS | 4T60E/65E (6mm elasomeric) | 1 | 98-09 | AE | EK66710B |
| F73 | Filter | TH440 | 1 | 83-92 | 8662853 | 66710 |
| F73 | Filter | 4T60E/65E | 1 | 91-09 | 8651651 | 66710A |
| G74 | Screen, filter | TH440/4T60E/65E (oil pressure in pump) | 1 | 84-09 | 8656752 | 66712 |
| G75 | Screen, filter | TH440 (governor) | 1 | 83-90 | 8627509 | 34713 |
| n/i | Screen, filter | 4T60E/65E (lock-up/TCC solenoid) | 1 | 91-09 | 8658060 | 66714 |
| n/i | Screen, filter | 4T60E/65E (shift solenoid) | 2/3 | 91-09 | 8651658 | 66714A |
| n/i | Screen, filter | 4T60E/65E (2-1 man servo exhaust) | 1 | 91-09 | 8651754 | 66713 |
| n/i | Screen, filter | TH440 (3rd exhaust) | 1 | 83-93 | 8658208 | 66711 |
| MODULATORS | | | | | | |
| E77 | Mod, adj 12-19.5 EDA w/black/red stripe | TH440 (diesel) | 1 | 91-00 | 8649099 | 66820A |
| E77 | Mod, adj w/dual red stripe | TH440/4T60E (universal) | 1 | 83-09 | 3057721 | 66820 |
| BANDS | | | | | | |
| B79 | Band, double wrap | TH440 (reverse/front) | 1 | 83-91 | 8675986 | 66720 |
| B79 | Band, double wrap | 4T60E/65E (reverse/front) | 1 | 91-00 | 8651653 | 66720A |
| B79 | Band, double wrap (high energy) | 4T60E/65E (reverse/front) | 1 | 01-09 | 24213362 | 66720B |
| D80 | Band, single wrap | 4T60E/65E (2-1/coast center) | 1 | 91-00 | 8651643 | 66700A |
| D80 | Band, single wrap (high energy) | 4T60E/65E (2-1/coast center) | 1 | 01-09 | 24202815 | 66700B |
| D81 | Band, double wrap | TH440 (1-2/rear) | 1 | 83-91 | 8675987 | 66700 |
| D81 | Band, double wrap | 4T60E/65E (forward/rear) | 1 | 91-00 | 8651614 | 66721 |
| D81 | Band, double wrap (high energy) | 4T60E/65E (forward/rear) | 1 | 01-09 | 24213361 | 66722 |
| BUSHINGS | | | | | | |
| K13 | Kit, bushing | TH440 | 1 | 83-93 | AE | K66901 |
| K13 | Kit, bushing | 4T60E/65E | 1 | 91-09 | AE | K66901A |
| D72 | Bushing | 4T60E (1/2 support/drum) | 1 | 91-95 | 8651447 | 66016A |
| D72 | Bushing | 4T60E/65E (1/2 support/drum/2nd design) | 1 | 96-09 | 5606004 | 66016C |
| A86 | Bushing (bronze) | drive sprocket support/stator | 1 | 83-09 | 8628915 | 32006 |
| A87 | Bushing | TH440/4T60E/65E (driven sprocket support) | 1 | 83-09 | 8656357 | 66010 |

440•TH440-T4•4T60•4T60E•4T65E

TH440-T4•4T60•E•4T65E

| ILL | DESCRIPTION | QTY | YEAR | REFERENCE # | PART # |
|-------------------------------------|--|-----|-------|--|--------------------|
| BUSHINGS (CONTINUED) | | | | | |
| B88 | Bushing 8.0mm x 75.5mm od | 1 | 83-09 | TH440/4T60E/65E (2nd clutch housing front) | 8644098 66011 |
| B89 | Bushing 11.0mm x 70.0mm od | 1 | 83-09 | TH440/4T60E/65E (2nd clutch housing rear) | 8644099 66012 |
| B90 | Bushing 11/16" w x 1.5" od | 1 | 83-00 | 4T60E (input housing smooth) | 8649661 66013 |
| B90 | Bushing w/4 grooves (not in kit) | 1 | 97-09 | 4T65E (input housing) | n/a 66013A |
| C91 | Bushing (not in kit) | 1 | 83-84 | TH440 (input sun gear 1st design) | 8644518 66014 |
| C92 | Bushing | 1 | 85-92 | TH440/4T60E (input carrier/planetary) | 8658803 66015 |
| D93 | Bushing | 1 | 83-93 | TH440/4T60E (reaction sun gear front) | 8644203 66016 |
| D93 | Bushing | 1 | 91-09 | 4T60E (reaction sun gear front) | 8651447 66016A |
| D97 | Bushing | 1 | 91-09 | 4T60E/4T65E (reaction sun gear rear) | 8651448 66016B |
| D94 | Bushing | 2 | 83-09 | final drive internal gear | 8649537 66017 |
| F96 | Bushing | 1 | 83-09 | TH440/4T60E (case/extension housing) | 8631119 51013 |
| n/i | Bushing | 1 | 83-09 | TH440/4T60E/65E (converter hub inside) | 8637905 51005A |
| WASHERS/BEARINGS/RACES/SHIMS | | | | | |
| K12 | Kit, thrust bearing | 1 | 83-00 | TH440/4T60E | AE K66906 |
| K14 | Kit, washer (super charged not included) | 1 | 83-09 | differential carrier to bearing selectives | AE K66400B |
| K14 | Kit, thrust washer | 1 | 83-90 | TH440 (small pin) | AE K51440 |
| K14 | Kit, thrust washer | 1 | 86-09 | TH440/4T60E/65E (large pin) | AE K51440A |
| K14 | Kit, washer | 1 | 83-09 | input clutch hub selectives | AE K66400A |
| K14 | Kit, thrust washer | 1 | 83-00 | TH440/4T60E (w/o selectives) | AE K66400 |
| K14 | Kit, thrust washer | 1 | 97-09 | 4T65E (w/o selectives) | AE K66400E |
| A98 | Thrust washer (4 tabs) | 1 | 83-98 | drive sprocket to sprocket support | 8652841 51413 |
| A98 | Thrust washer | 1 | 97-00 | 4T65E (drive sprocket to sprocket support) | 24205121 66416 |
| A98 | Thrust washer | 1 | 00-09 | 4T65E (drive sprocket to sprocket support) | 24213762 66416A |
| A99 | Thrust washer | 1 | 83-00 | driven sprocket to sprocket support | 8644684 66410 |
| A99 | Thrust washer | 1 | 97-09 | driven sprocket to sprocket support | 24204840 66410A |
| A100 | Thrust washer .072" thick | 1 | 83-00 | drive sprocket to channel plate | 8649260 66411 |
| A100 | Thrust washer .046" thick | 1 | 97-09 | 4T65E (drive sprocket to channel plate) | 24204328 66411A |
| A101 | Thrust washer | 1 | 83-00 | driven support to 2nd clutch drum | 8644069 66412 |
| A101 | Thrust washer | 1 | 97-09 | 4T65E (driven support to 2nd clutch drum) | 24204434 66412A |
| B102 | Thrust washer | 1 | 83-86 | TH440 (input drum to sprag race) | 8662370 66413 |
| B102 | Bearing, thrust | 1 | 86-09 | TH440/4T60E/65E (input drum to sprag race) | 8668422 66510 |
| A103 | Thrust washer | 1 | 83-00 | 4th clutch hub to driven sprocket | 8644664 66414 |
| A103 | Thrust washer | 1 | 97-09 | 4T65E (4th clutch hub to driven sprocket) | 24204839 66414A |
| E104 | Bearing, thrust | 1 | 83-92 | TH440 (speedo gear to cover) | 8635490 51466A |
| B105 | Washer .116" 2.95mm (orange-green) | sel | 83-09 | TH440/4T60E/65E (bearing to input housing) | 24204843 66415A |
| B105 | Washer .122" 3.10mm (orange-black) | sel | 83-09 | TH440/4T60E/65E (bearing to input housing) | 24204844 66415B |
| B105 | Washer .128" 3.25mm (orange) | sel | 83-09 | TH440/4T60E/65E (bearing to input housing) | 24204845 66415C |
| B105 | Washer .134" 3.40mm (white) | sel | 83-09 | TH440/4T60E/65E (bearing to input housing) | 24204846 66415D |
| B105 | Washer .140" 3.55mm (blue) | sel | 83-09 | TH440/4T60E/65E (bearing to input housing) | 24204847 66415E |
| B105 | Washer .146" 3.70mm (pink) | sel | 83-09 | TH440/4T60E/65E (bearing to input housing) | 24204848 66415F |
| B105 | Washer .152" 3.85mm (brown) | sel | 83-09 | TH440/4T60E/65E (bearing to input housing) | 24204849 66415G |
| B105 | Washer .158" 4.00mm (green) | sel | 83-09 | TH440/4T60E/65E (bearing to input housing) | 24204850 66415H |
| B105 | Washer .163" 4.15mm (black) | sel | 83-09 | TH440/4T60E/65E (bearing to input housing) | 24204851 66415J |
| B105 | Washer .169" 4.30mm (purple) | sel | 83-09 | TH440/4T60E/65E (bearing to input housing) | 24204852 66415K |
| B105 | Washer .175" 4.45mm (purple-white) | sel | 83-09 | TH440/4T60E/65E (bearing to input housing) | 8658173 66415L |
| B105 | Washer .181" 4.60mm (purple-blue) | sel | 83-09 | TH440/4T60E/65E (bearing to input housing) | 8658174 66415M |
| B105 | Washer .187" 4.75mm (purple-pink) | sel | 83-09 | TH440/4T60E/65E (bearing to input housing) | 8658175 66415N |
| B105 | Washer .193" 4.90mm (purple-brown) | sel | 83-09 | TH440/4T60E/65E (bearing to input housing) | 8658176 66415P |
| B105 | Washer .199" 5.05mm (purple-green) | sel | 83-09 | TH440/4T60E/65E (bearing to input housing) | 8658177 66415R |
| D106 | Washer .067"-.071" 1.70-1.80mm (#3) | sel | 83-09 | differential carrier to bearing | 8631423 51417B |
| D106 | Washer .071"-.075" 1.80-1.90mm (#4) | sel | 83-09 | differential carrier to bearing | 8631424 51417C |
| D106 | Washer .063"-.067" 1.60-1.70mm (#2) | sel | 83-09 | differential carrier to bearing | 8631422 51417A |
| D106 | Washer .075"-.079" 1.90-2.00mm (#5) | sel | 83-09 | differential carrier to bearing | 8631425 51417D |

| ILL | DESCRIPTION | QTY | YEAR | REFERENCE # | PART # | |
|---|---|---|------|-------------|----------|----------|
| WASHERS/BEARINGS/RACES/SHIMS (CONTINUED) | | | | | | |
| D106 | Washer .079"-.083" 2.00-2.10mm (#6) | differential carrier to bearing | sel | 83-09 | 8631426 | 51417E |
| D106 | Washer .083"-.087" 2.10-2.20mm (#7) | differential carrier to bearing | sel | 83-09 | 8631427 | 51417F |
| D106 | Washer (fits bearing style extension hsg) | differential carrier to bearing | sel | 96-09 | n/a | 66417 |
| D107 | Bearing, thrust | reaction carrier to sun gear drum | 1 | 83-09 | 8649353 | 66501 |
| D108 | Bearing, thrust | input carrier to reaction carrier | 1 | 83-09 | 8646504 | 66502 |
| B110 | Bearing, thrust | sprocket support to washer | 1 | 83-09 | 8649704 | 66503 |
| D111 | Bearing, thrust | internal gear to parking gear | 1 | 83-95 | 8644240 | 66506 |
| D111 | Bearing, thrust | 4T60E/65E (internal gear to parking gear) | 1 | 96-09 | 24202794 | 66506A |
| D112 | Bearing, thrust 2.125" od | final drive sun gear to differential hsg | 1 | 83-97 | 8646254 | 51454 |
| D112 | Bearing, thrust 2.350" od | final dr sun gear to diff w/supercharged | 1 | 97-03 | 24202396 | 66512 |
| D112 | Bearing, thrust 2.150" od | final drive sun gear to diff housing | 1 | 00-05 | 24211390 | 66514 |
| D113 | Bearing, thrust | differential washer to case/ext hsg | 1 | 83-09 | 8631362 | 51461 |
| D113 | Bearing, thrust | differential (bearing style ext hsg) | 1 | 96-09 | 8644206 | 66509 |
| A114 | Bearing, thrust | TH440/4T60E (4th clutch to channel plate) | 1 | 83-00 | 8656393 | 66508 |
| A114 | Thrust washer | 4T60E/65E (4th clutch to channel plate) | 1 | 97-09 | 24207063 | 66418 |
| D115 | Bearing, thrust | reaction sun gear to final dr inter gear | 1 | 83-93 | 8644206 | 66509 |
| D115 | Thrust washer | reaction sun gear to final dr inter gear | 1 | 93-09 | 24200584 | 66419 |
| D116 | Bearing, thrust | 4T60E (1/2 inner race to 1/2 drum) | 1 | 91-95 | 8648389 | 66511 |
| D116 | Bearing, thrust | 4T60E/65E (1/2 inner race to sungear drum) | 1 | 96-09 | 7471026 | 66511A |
| A130 | Bearing, needle (split type long) | TH440 (output shaft to input sun gear) | 1 | 84-89 | 8649505 | 66521 |
| A130 | Bearing, needle (split type short) | output shaft to input sun gear | 1 | 90-00 | 8675032 | 66522 |
| G126 | Bearing, needle w/seal | TH440/4T60E (pump shaft) | 1 | 83-00 | 8644516 | 66520 |
| n/i | Bearing, caged | 4T65E (channel plate to axle) | 1 | 97-09 | 24203440 | 66525 |
| n/i | Bearing, caged | 4T60E/65E (super charged extension hsg) | 1 | 96-09 | n/a | 66524 |
| n/i | Thrust washer (5 tabs) | 4T65E (AWD only-park gear to diff sun gear) | sel | 97-09 | AE | 66421 |
| SNAP RINGS | | | | | | |
| n/i | Snap ring | TH440/4T60E (2nd clutch pressure plate) | 1 | 89-00 | 8668567 | 66552 |
| PUMP PARTS AND PUMPS | | | | | | |
| K20 | Kit, vane and ring pump 9 vanes - 2 rings | fits #3 and #4 rotor | 1 | 83-00 | 8644662 | K66801A |
| K43 | Kit, rotor and pump slide vane-matched | TH440/4T60E | 1 | 83-09 | AE | K66800A |
| G118 | Pump assembly | 1st design cast # | 1 | 83-85 | 8644990 | 66990-R |
| G118 | Pump assembly | TH440 (2 switch) | 1 | 84-86 | 8646939 | 66990B-R |
| G122 | Rotor, pump .7071-7078 (#3) | TH440/4T60E | 1 | 83-00 | 8656268 | 66802 |
| G123 | Slide, pump .7071"-7078" (#3) | TH440/4T60E | 1 | 83-00 | 8656273 | 66803 |
| G124 | Vane, selective .7064"-7071" | TH440 (fits #1-2 rotor) | 9 | 83-85 | 8644661 | 66800 |
| G124 | Vane, selective .7071"-7078" | 4T60E (fits #3-4 rotor) | 9/11 | 83-09 | 8644662 | 66800A |
| G124 | Vane, selective .7078"-7085" | 4T60E (fits #5 rotor) | 9 | 97-09 | 8644663 | 66800B |
| F125 | Shaft, pump | TH440/4T60E | 1 | 83-00 | 8656624 | 66981 |
| F125 | Shaft, pump | TH440/4T60E | 1 | 83-00 | 8656624 | 66981-R |
| F125 | Shaft, pump | 4T65E | 1 | 97-07 | 24209284 | 66981A |
| F125 | Shaft, pump | 4T65E | 1 | 97-09 | 24209053 | 66981A-R |
| G127 | Ring, vane pump (solid) | TH440/4T60E/65E | 2 | 83-09 | 8644333 | 66324 |
| HARD PARTS | | | | | | |
| A128 | Retainer, w/springs | TH440/4T60E (4th piston return) | 1 | 83-00 | 8661081 | 66931-R |
| A128 | Retainer, w/springs | 4T65E (4th piston return) | 1 | 97-09 | 24203091 | 66931C-R |
| A129 | Shaft, output | TH440 (long bearing type) | 1 | 83-90 | 8658408 | 66906-R |
| A129 | Shaft, output | TH440/4T60E (short bearing type) | 1 | 90-00 | 8668990 | 66906C-R |
| A131 | Chain, drive (7/8")(round pins) | TH440/4T60E | 1 | 83-93 | HV-018 | 51973A |
| A131 | Chain, drive (7/8")(rocker joint type) | 4T60E (replaces all 93-00) | 1 | 93-00 | HV-058 | 59973A |
| A131 | Chain, drive Gemini® design S (2 per box) | 4T65E (has 2 blue guide links) | 1 | 97-09 | HV-093 | 66973B |
| A132 | Sprocket, drive 37T | TH440/4T60E | 1 | 83-93 | 8644679 | 66977A-R |
| A132 | Sprocket, drive 35T | TH440/4T60E | 1 | 83-93 | 8644677 | 66977-R |
| A132 | Sprocket, drive 33T | TH440/4T60E | 1 | 84-93 | 8651568 | 66911-R |

440•TH440-T4•4T60•4T60E•4T65E

TH440-T4•4T60•E•4T65E

| ILL | DESCRIPTION | QTY | YEAR | REFERENCE # | PART # | |
|-------------------------------|--|---|------|-------------|----------|----------|
| HARD PARTS (CONTINUED) | | | | | | |
| A132 | Sprocket, drive 37T | 4T60E | 1 | 93-00 | 8682597 | 66912-R |
| A132 | Sprocket, drive 35T | 4T60E | 1 | 94-98 | 8682598 | 66913-R |
| A132 | Sprocket, drive 33T | 4T60E | 1 | 93-00 | 8682599 | 66914-R |
| A132 | Sprocket, drive 35T (2nd design) | 4T65E (use TW 66416A) | 1 | 97-09 | 24216063 | 66977B |
| A132 | Sprocket, drive 37T (2nd design) | 4T65E (use TW 66416A) | 1 | 97-09 | 24216064 | 66977C |
| A132 | Sprocket, drive 33T (2nd design) | 4T65E (use TW 66416A) | 1 | 97-09 | 24216065 | 66977D |
| A133 | Sprocket, driven 35T | TH440/4T60E | 1 | 83-93 | 8668111 | 66920-R |
| A133 | Sprocket, driven 33T | TH440/4T60E | 1 | 83-93 | 8675035 | 66920A-R |
| A133 | Sprocket, driven 37T | TH440/4T60E | 1 | 83-93 | 8678146 | 66915-R |
| A133 | Sprocket, driven 33T | 4T60E | 1 | 94-00 | 8682600 | 66916-R |
| A133 | Sprocket, driven 35T | 4T60E | 1 | 94-00 | 8682601 | 66918-R |
| A133 | Sprocket, driven 37T | 4T60E | 1 | 94-00 | 8682602 | 66919-R |
| A133 | Sprocket, driven 35T | 4T65E | 1 | 97-09 | 24206269 | 66920B |
| A133 | Sprocket, driven 33T | 4T65E | 1 | 97-09 | 24206271 | 66920C |
| A133 | Sprocket, driven 37T | 4T65E | 1 | 97-09 | 24206270 | 66920D |
| A134 | Bearing, needle | TH440/4T60E/65E (driven sprocket support) | 1 | 83-09 | 8644054 | 66954 |
| A135 | Shaft, turbine | TH440/4T60E | 1 | 83-00 | 24202468 | 51907A-R |
| A135 | Shaft, turbine | 4T65E | 1 | 97-09 | 24208853 | 66907 |
| A135 | Shaft, turbine | 4T65E | 1 | 97-09 | 24208853 | 66907-R |
| A136 | Stator | TH440/4T60E (drive sprocket support) | 1 | 83-00 | 8644036 | 51927A-R |
| A136 | Stator | 4T65E (drive sprocket support) | 1 | 97-09 | 24211875 | 66928 |
| A136 | Stator | 4T65E (drive sprocket support) | 1 | 97-09 | 24211875 | 66928-R |
| A137 | Support, driven sprocket (1st design) | TH440 (metal rings) | 1 | 83-85 | 8658097 | 66949-R |
| A137 | Support, driven sprocket (w/vespel rings) | TH440 (bottom lube hole open) | 1 | 86-93 | 8668385 | 66949A-R |
| A137 | Support, driven sprocket (w/vespel rings) | 4T60E (4 tab TW)(bottom lube plugged) | 1 | 91-00 | 8682611 | 66949B-R |
| A137 | Support, driven sprocket (specify rings) | 4T65E (3 tab TW)(with and w/o expanders) | 1 | 97-09 | 24206327 | 66949C-R |
| B139 | Drum, 2nd clutch (5 clutch) | TH440 | 1 | 83-86 | 8668958 | 66926-R |
| B139 | Drum, 2nd clutch (6 clutch) | TH440 (takes steel piston) | 1 | 87-90 | 8661912 | 66926A-R |
| B139 | Drum, 2nd clutch (6 clutch) | TH440/4T60E (takes bonded piston) | 1 | 91-00 | 8651919 | 66926B-R |
| B139 | Drum, 2nd clutch (6 clutch) | 4T65E (square cut teeth specify) | 1 | 97-09 | 24207421 | 66926C-R |
| B139 | Drum, 2nd clutch (6 clutch) | 4T65E (square cut teeth) | 1 | 97-09 | 24207421 | 66926C |
| B140 | Retainer, w/springs (.810") | TH440 (5 clutch 2nd clutch drum) | 1 | 83-86 | 8644109 | 66921-R |
| B140 | Retainer, w/springs (.760") | TH440 (6 clutch 2nd clutch drum) | 1 | 87-90 | 8678494 | 66921A-R |
| B140 | Retainer, w/springs (.820") | 4T60E (2nd clutch drum) | 1 | 91-00 | 8675319 | 66921B-R |
| B140 | Retainer, w/springs (1.450") | 4T65E (2nd clutch drum) | 1 | 97-09 | 24206170 | 66921C-R |
| A141 | Bearing, caged (needle) | stator to drive sprocket support | 1 | 83-09 | 24203905 | 51486 |
| B142 | Retainer, w/springs (w/cutout for capsule) | TH440/4T60E (input piston) | 1 | 83-00 | 8644151 | 66923-R |
| B142 | Retainer, w/springs | 4T65E (input piston) | 1 | 97-09 | n/a | 66923C-R |
| C143 | Retainer, input sprag | TH440 (1st design) | 1 | 83-86 | 8644044 | 66925-R |
| C143 | Retainer, input sprag | TH440/4T60E (2nd design) | 1 | 86-93 | 8658796 | 66925A-R |
| B144 | Input housing | TH440 (thrust washer type) | 1 | 83-89 | 8662970 | 66927-R |
| B144 | Input housing | TH440/4T60E (bearing type) | 1 | 90-93 | 8651924 | 66927A-R |
| B144 | Input housing (w/needle bearing inside) | 4T60E (bearing type) | 1 | 94-00 | 8651937 | 66927B-R |
| B144 | Input housing (w/needle bearing inside) | 4T65E | 1 | 97-09 | 24211855 | 66927C-R |
| C146 | Housing, 3rd clutch piston | TH440 | 1 | 83-88 | 8656310 | 66950-R |
| C146 | Housing, 3rd clutch piston | TH440/4T60E (takes bonded piston) | 1 | 89-00 | 8668359 | 66950A-R |
| C146 | Housing, 3rd clutch piston | 4T65E | 1 | 97-09 | 24205864 | 66950C-R |
| C149 | Retainer w/springs | TH440/4T60E (3rd clutch piston) | 1 | 83-00 | 8668071 | 66924 |
| C149 | Retainer w/springs (w/cutout for capsule) | 4T65E (3rd clutch piston) | 1 | 97-09 | n/a | 66924C-R |
| D153 | Drum, assembly 1-2 | 4T60E (16 roller clutch) | 1 | 91-95 | 7471030 | 66961A-R |
| D153 | Drum, assembly 1-2 | 4T60E/4T65E (14 roller clutch) | 1 | 96-09 | 7471029 | 66961B-R |
| D154 | 1-2 inner race | 4T60E | 1 | 91-95 | 7471031 | 66530-R |
| C156 | Sun gear, input | TH440/4T60E (3rd design) | 1 | 93-09 | 24208023 | D66904 |

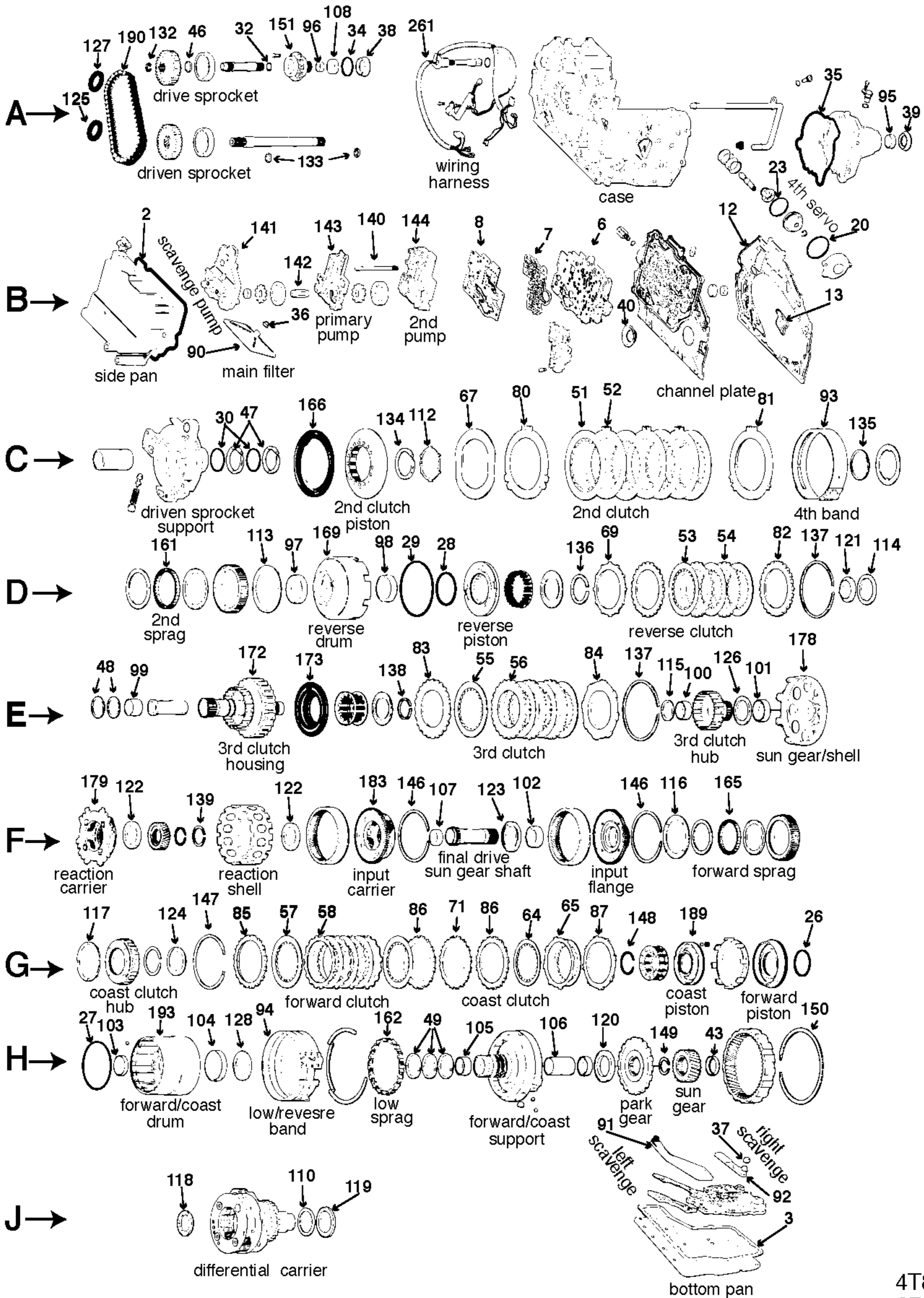
| ILL | DESCRIPTION | QTY | YEAR | REFERENCE # | PART # |
|-------------------------------|--|-----|-------|-------------|----------|
| HARD PARTS (CONTINUED) | | | | | |
| C156 | Sun gear, input | 1 | 93-09 | 24208023 | 66904 |
| C156 | Sun gear, input | 1 | 83-93 | 8668703 | 66904-R |
| C157 | Spacer .495" | 1 | 83-86 | 8649545 | 66945-R |
| C157 | Spacer .350" | 1 | 86-93 | 8658797 | 66945A-R |
| C157 | Spacer .335" | 1 | 94-09 | 8682442 | 66945B-R |
| C159 | Drum, reverse (shell) | 1 | 83-00 | 8656612 | 66978 |
| C159 | Drum, reverse (shell) | 1 | 83-00 | 8656612 | 66978-R |
| C159 | Drum, reverse (shell) | 1 | 97-98 | 24208193 | 66978B-R |
| C159 | Drum, reverse (shell) | 1 | 98-09 | 24209481 | 66978C-R |
| C161 | Carrier, input (tall lip 1st design) | 1 | 83-86 | 8646500 | 66905-R |
| C161 | Carrier, input (short lip 2nd design) | 1 | 86-92 | 24203693 | 66905A-R |
| C161 | Carrier, input (no lip 3rd design) | 1 | 93-00 | 24205129 | 66905B-R |
| C161 | Carrier, input (12 teeth on carrier) | 1 | 97-09 | 24204430 | 66905C-R |
| D163 | Carrier, reaction | 1 | 83-09 | 8661084 | 66955-R |
| D165 | Reaction sun gear w/drum | 1 | 84-93 | 8676144 | 66960-R |
| D165 | Reaction sun gear w/drum | 1 | 91-95 | 8651450 | 66960A-R |
| D165 | Reaction sun gear w/drum | 1 | 96-09 | 24201902 | 66960B-R |
| D166 | Shaft, sun gear (final drive) | 1 | 83-93 | 8675987 | 66943-R |
| D166 | Shaft, sun gear (final drive) | 1 | 91-09 | 24202283 | 66943A-R |
| D168 | Gear, final drive internal | 1 | 83-91 | 8656372 | 66935-R |
| D168 | Gear, final drive internal 4T60E | 1 | 91-95 | 24200788 | 66935A-R |
| D168 | Gear, final drive internal 4T60E | 1 | 95-96 | 24200426 | 66935B-R |
| D168 | Gear, final drive internal | 1 | 96-09 | n/a | 66935C-R |
| D168 | Gear, final drive internal 4T60E | 1 | 91-95 | n/a | 66935D-R |
| D170 | Gear, sun (38T) | 1 | 83-94 | 8644113 | 51955-R |
| D170 | Gear, sun (34T) | 1 | 83-94 | 8644114 | 51955A-R |
| D170 | Gear, sun (30T) | 1 | 83-94 | 8644237 | 51955B-R |
| D170 | Gear, sun (fine pitch-rev cut 42T) | 1 | 95-96 | n/a | 66855-R |
| D170 | Gear, sun (reverse cut 38T) | 1 | 95-96 | n/a | 66855A-R |
| D170 | Gear, sun (reverse cut 34T) | 1 | 95-96 | n/a | 66855B-R |
| D170 | Gear, sun (fine pitch 42T) | 1 | 96-09 | n/a | 66855C-R |
| D170 | Gear, sun (fine pitch 38T) | 1 | 96-09 | n/a | 66855D-R |
| D170 | Gear, sun (fine pitch 34T) | 1 | 96-09 | n/a | 66855E-R |
| D172 | Differential, w/silver pin (38T) | 1 | 83-94 | 8644996 | 51972-R |
| D172 | Differential, w/silver pin (34T) | 1 | 83-94 | 8644997 | 51972A-R |
| D172 | Differential, w/silver pin (30T) | 1 | 83-94 | 8644994 | 51972B-R |
| D172 | Differential, w/black pin (specify ratio) | 1 | 95-96 | n/a | 66972-R |
| D172 | Differential, 20T pinion (38T sun gear) | 1 | 95-96 | n/a | 66972A-R |
| D172 | Differential, 22T pinion (34T sun gear) | 1 | 95-95 | n/a | 66972B-R |
| D172 | Differential, 18T pinion (42T) | 1 | 96-09 | n/a | 66972C-R |
| D172 | Differential, 20T pinion (38T) | 1 | 96-09 | n/a | 66972D-R |
| D172 | Differential, 22T pinion (34T) | 1 | 96-09 | n/a | 66972E-R |
| D172 | Differential, 22T pinion 34T | 1 | 91-99 | n/a | 66972F-R |
| D172 | Differential, 22T pinion (34T) | 1 | 99-02 | n/a | 66972G-R |
| note | Specify reluctor tooth count on diff. | | | n/a | |
| note | Ratios interchange when done as a complete | | | n/a | |
| E175 | Governor assembly | 1 | 83-92 | specify | 51910-R |
| E179 | Cover, governor | 1 | 83-92 | 8644924 | 66976-R |
| A183 | Hub, 4th clutch w/shaft | 1 | 83-92 | 8676613 | 66956-R |
| A183 | Hub, 4th clutch w/shaft w/race and bearing | 1 | 91-95 | 24201094 | 66956A |
| A183 | Hub, 4th clutch w/shaft w/race and bearing | 1 | 91-95 | 24201094 | 66956A-R |
| A183 | Hub, 4th clutch w/shaft w/race w/o bearing | 1 | 95-00 | 24202037 | 66956B |
| A183 | Hub, 4th clutch w/shaft w/race w/o bearing | 1 | 95-00 | 24202037 | 66956B-R |

440•TH440-T4•4T60•4T60E•4T65E

TH440-T4•4T60•E•4T65E

| ILL | DESCRIPTION | QTY | YEAR | REFERENCE # | PART # | |
|-------------------------------|---|--|------|-------------|-----------|----------|
| HARD PARTS (CONTINUED) | | | | | | |
| A183 | Hub, 4th clutch w/shaft | 4T65E | 1 | 97-09 | 24205603 | D66956C |
| A183 | Hub, 4th clutch w/shaft | 4T65E | 1 | 97-09 | 24205603 | 66956C |
| A183 | Hub, 4th clutch w/shaft | 4T65E | 1 | 97-09 | 24205603 | 66956C-R |
| A184 | Piston 1.939" tall | 4T60E (4th clutch 5/21/84 2nd design) | 1 | 84-00 | 8658388 | 66946-R |
| A184 | Piston | 4T65E (4th clutch) | 1 | 97-09 | 24208623 | 66946C-R |
| B185 | Piston | TH440 (2nd clutch) | 1 | 83-90 | 8656740 | 66929-R |
| B186 | Piston | TH440 (input clutch) | 1 | 83-89 | 8658439 | 66934-R |
| B186 | Piston | 4T60E/4T65E (input clutch) | 1 | 90-09 | 27203479 | 66934A |
| B186 | Piston | 4T60E/4T65E (input clutch) | 1 | 90-09 | 24203479 | 66934A-R |
| D191 | Dam, lube plastic | TH440/4T60E | 1 | 86-09 | 8658368 | 66910 |
| F192 | Spring | 4T60E (3-4 accumulator) | 1 | 83-93 | 8659092 | 66709 |
| F193 | Spring | reverse/1-2 servo return | 1 | 83-09 | 8685167 | 66707 |
| F194 | Spring | 1-2 accumulator | 1 | 83-00 | 8668123 | 66706 |
| F194 | Spring, green/white | TH440/4T60E (1-2 accumulator) | 1 | 83-00 | 8668487 | 66706A |
| F194 | Spring, red | TH440/4T60E (1-2 accumulator) | 1 | 83-09 | 8649691 | 66706B |
| D195 | Gear, park | TH440/4T60E/65E | 1 | 83-09 | 8658416 | 66968-R |
| E196 | Sleeve 1 1/2" x 1 1/4" od (not in kit) | TH440/4T60E (channel plate) | 1 | 83-00 | AE | 66641 |
| E196 | Sleeve | 4T65E (channel plate) | 1 | 97-09 | AE | 66641B |
| F202 | Pin, apply (2 grooves) | TH440/4T60E (reverse band) | 1 | 83-93 | 8656547 | 66708B |
| G203 | Pin, apply | TH440/4T60E (1/2 band wide) | 1 | 83-93 | 8656542 | 66708 |
| G203 | Pin, apply (2 grooves) | TH440/4T60E (1/2 band) | 1 | 83-93 | 8656540 | 66708A |
| G203 | Pin, servo extendo | TH440/4T60E (1/2 and reverse band) | 1 | 83-93 | 84572E | 66708E |
| E204 | Link, manual valve (wire) | TH440 (3rd design) | 1 | 83-91 | 8649659 | 66957-R |
| E205 | Spring manual valve (rod end) | TH440/4T60E (2nd design) | 1 | 85-00 | 8656787 | 66959A-R |
| G207 | Piston, accumulator | TH440 (1/2 and 3/4) | 1/2 | 83-93 | 8951927 | 66982 |
| G207 | Piston kit, accumulator | 4T60E (1/2 and 2/3) | 1/2 | 91-00 | 8651933 | 66983 |
| G207 | Piston, accumulator | 4T65E (1/2 and 2/3) | 1/2 | 97-09 | 24206857 | 66984 |
| G207 | Piston, accumulator | 4T65E (4th) | 1 | 97-09 | 4T65-4ACM | 66985 |
| n/i | Chain and gear kit Gemini® design | 4T65E (35/35) | 1 | 97-09 | TGK65B | K66920B |
| n/i | Chain and gear kit Gemini® design | 4T65E (37/33) | 1 | 97-09 | TGK65C | K66920C |
| n/i | Chain and gear kit Gemini® design | 4T65E (33/37) | 1 | 97-09 | TGK65A | K66920D |
| n/i | Gear, side differential set | TH440 (w/pin and washers)(final drive) | 1 | 83-89 | 8646919 | 51919-R |
| n/i | Gear, final drive pinion | TH440 (w/ 1" black pin) | 1 | 89-00 | 8662924 | 51919A-R |
| n/i | Clip, 3-2 line | TH440 (for 2 piece valve) | 1 | 83-93 | 8656678 | 66965 |
| n/i | Clip, manual valve (rod end) | TH440 (1st design) | 1 | 83-84 | 8649544 | 66959-R |
| n/i | Cable, detent | TH440 (universal-fits most GM) | 1 | 83-00 | K65940U | 63-399 |
| n/i | Plunger and spring assembly | TH440 (actuator guide) | 1 | 83-90 | 8656689 | 66953-R |
| n/i | Plunger, throttle valve (.357" dia) | TH440 (heat treated steel) | 1 | 83-93 | M44711 | 66970 |
| n/i | Plunger, throttle valve (.396" dia) | TH440 (heat treated steel) | 1 | 83-93 | M44712 | 66971 |
| n/i | Sleeve | TH440 (input housing) | 1 | 83-90 | 8644139 | 66022 |
| n/i | Stabilizer, right axle | TH440/4T60E/65E | 1 | 83-09 | 75125LRB | 51731B |
| n/i | Stabilizer, left axle | TH440/4T60E | 1 | 83-00 | 84125LRB | 66731B |
| n/i | Stop, 1-2 band (anchor pin) | TH440/4T60E | 1 | 83-00 | 8649302 | 66725 |
| n/i | Reluctor wheel 25T | 4T65E | 1 | 97-09 | 24212217 | 66922 |
| n/i | Reluctor wheel 25T | 4T65E | 1 | 97-09 | 24212217 | 66922-R |
| n/i | Valve body spacer plate w/TSR valve | w/bonded gaskets | 1 | 06-07 | 24243403 | 24244403 |
| ELECTRICAL COMPONENTS | | | | | | |
| G223 | Switch, pressure (1 flat terminal) | TH440 (4th) | 1 | 83-93 | 8658040 | 15A-131 |
| G224 | Switch, pressure (2 flat terminals) | TH440 (3rd) | 1 | 83-93 | 8658039 | 15A-132 |
| G225 | Switch, pressure (1 terminal) | TH440 (2nd) | 1/2 | 85-93 | 8683502 | 15A-112 |
| F226 | Connector, electrical (4 terminal square) | TH440 (case) | 1 | 83-93 | 8662395 | 25A-104 |
| F226 | Connector, electrical (4 prongs round) | TH440 (case) | 1 | 85-93 | 24202567 | 25A-105 |
| F226 | Connector, electrical (5 prongs round) | TH440 (case) | 1 | 85-93 | 8649507 | 25A-105A |

| ILL | DESCRIPTION | QTY | YEAR | REFERENCE # | PART # | |
|--|--|---|------|-------------|----------|-----------|
| ELECTRICAL COMPONENTS (CONTINUED) | | | | | | |
| F226 | Connector, elect (7 prongs round gray) | 4T60E (case) | 1 | 91-00 | 8651620 | 25A-107 |
| F226 | Connector, electrical (7 prongs round) | 4T60E (case) | 1 | 91-00 | n/a | 25A-107A |
| G227 | Thermister, 1 prong (switch) | Cadillac w/viscous converter clutch | 1 | 83-92 | 8658389 | 15A-137 |
| n/i | Solenoid | TH440 (lock-up/TCC) | 1 | 83-93 | 8656372 | 5A-142 |
| n/i | Solenoid, lock-up/TCC (universal) | TH440 | 1 | 84-93 | 52-0210 | 5A-146 |
| n/i | Solenoid (PWM) | 4T60E (lock-up/TCC) | 1 | 91-00 | 8683535 | 5A-394 |
| n/i | Solenoid | 4T60E (shift A and B/TCC) | 3 | 91-00 | 24202614 | 5A-143 |
| n/i | Kit, solenoid | 4T60E | 1 | 91-00 | MS-4T60E | 25A-015 |
| n/i | Switch, manifold pressure | 4T65E | 1 | 97-02 | 24223197 | 16A-130 |
| n/i | Switch, pressure | 4T65E (transmission fluid/TFP) | 1 | 02-09 | 24216426 | 16A-131 |
| n/i | Switch, internal mode | 4T65E (MLPS/neutral safety) | 1 | 99-09 | 24236104 | 16A-132 |
| n/i | Solenoid (PWM) | 4T65E (lock-up/TCC) | 1 | 97-09 | 24212974 | 5A-418 |
| n/i | Solenoid | 4T65E (pressure control)(EPC) | 1 | 97-02 | 10478146 | 5A-419 |
| n/i | Solenoid | 4T65E (pressure control)(EPC) | 1 | 02-09 | 24225825 | 5A-419A |
| n/i | Solenoid | 4T65E shift 1-2/3-4/2-3) | 2 | 97-09 | 24219819 | 5A-420 |
| n/i | Sensor, speed | 4T65E (input) | 1 | 97-09 | 10456509 | 16A-200 |
| n/i | Sensor, temperature | 4T60E/4T65E (fluid) | 1 | 91-09 | 12129691 | 16A-201 |
| n/i | Sensor, speed (w/short connector) | 4T60E/4T65E (output)(vehicle) | 1 | 91-00 | 10456034 | 16A-202 |
| n/i | Sensor, speed (w/long connector) | 4T60E/4T65E (output)(vehicle) | 1 | 99-09 | 24232088 | 16A-202A |
| n/i | Sensor, speed (Volvo only) | 4T65E (input) | 1 | 99-02 | n/a | 16A-205 |
| n/i | Sensor, speed (Volvo only) | 4T65E (output)(vehicle) | 1 | 99-02 | n/a | 16A-206 |
| n/i | Harness, internal wire | 4T60E (w/PWM) | 1 | 91-93 | 350-0040 | 16A-114 |
| n/i | Harness, internal wire | 4T60E (w/o PWM) | 1 | 91-93 | 350-0041 | 16A-115 |
| n/i | Harness, internal wire | 4T60E | 1 | 94-00 | 350-0036 | 16A-116 |
| n/i | Harness, internal wire (universal) | 4T65E (14/17/19 pin connectors) | 1 | 97-09 | 24230348 | 16A-135 |
| n/i | Harness, internal wire (1 prong manifold) | 4T65E (w/internal mode) | 1 | 02-09 | 24229643 | 16A-136 |
| n/i | Harness, internal wire (4 prongs manifold) | 4T65E (w/internal mode) | 1 | 99-02 | 24221901 | 16A-138 |
| n/i | Harness, external wire | 4T60E | 1 | 91-93 | 350-0037 | 16A-118 |
| n/i | Harness, external wire | 4T60E | 1 | 94-00 | 350-0038 | 16A-119 |
| n/i | Harness, wiring repair (VSS) | external speed sensor | 1 | 97-09 | 350-0056 | 16A-159 |
| n/i | Harness, wiring repair (ECM) | electronic control module (ECM) | 1 | 91-05 | 350-0063 | 16A-140 |
| SWITCH KITS | | | | | | |
| K46 | Switch kit® | TH440-T4 to TH125 | 1 | 83-92 | 4-125B | 4-125B |
| SPRAGS | | | | | | |
| C147 | Roller clutch | TH440/4T60E (3rd) | 1 | 83-93 | 8662876 | 66939 |
| C148 | Roller clutch assembly | TH440 (3rd)(1st design) | 1 | 83-86 | 8646539 | K66939-R |
| C148 | Roller clutch assembly | TH440/4T60E (3rd)(2nd design) | 1 | 86-93 | 24202241 | K66939A-R |
| C148 | Sprag elements (w/o races) | 4T60E/4T65E (input/3rd clutch 1piece) | 1 | 93-95 | 8665220 | K66940B |
| C148 | Sprag assembly (w/races) | 4T60E/4T65E (input/3rd clutch) | 1 | 93-09 | 8665220 | K66940B-R |
| C148 | Sprag assembly (diode) | 4T65E (3rd) | 1 | 03-09 | 24216817 | K66939C |
| C151 | Sprag .305" | TH440 (low input clutch narrow) | 1 | 83-86 | 8658501 | 66933 |
| C151 | Sprag .400" | TH440/4T60E (low input clutch wide) | 1 | 86-92 | 8662031 | 66933A |
| C152 | Sprag assembly | TH440 (low input clutch 1st design) | 1 | 83-86 | 8677016 | K66940-R |
| C152 | Sprag assembly | TH440/4T60E (low input clutch 2nd design) | 1 | 86-92 | 8677016 | K66940A-R |
| C152 | Sprag assembly | 4T60E/4T65E (low input clutch) | 1 | 96-09 | 24204036 | K66940C |
| C152 | Sprag assembly (diode) | 4T65E (low input clutch) | 1 | 03-09 | 24216816 | K66940D |
| D155 | Roller clutch | 4T60E (1-2) | 1 | 91-95 | 7471020 | 35503 |
| D155 | Roller clutch | 4T60E/4T65E (1-2) | 1 | 96-09 | 7471007 | 66962 |
| BONDED PISTONS | | | | | | |
| B185 | Piston, bonded rubber | TH440/4T60E (2nd clutch) | 1 | 91-00 | 8678494 | 66929A |
| B185 | Piston, bonded rubber | 4T65E (2nd clutch) | 1 | 97-09 | 24208336 | 66929C |
| C189 | Piston, bonded rubber | TH440/4T60E (3rd clutch) | 1 | 89-00 | 8682736 | 66917 |
| C189 | Piston, bonded rubber | 4T65E (3rd clutch) | 1 | 97-09 | 24205378 | 66917C |



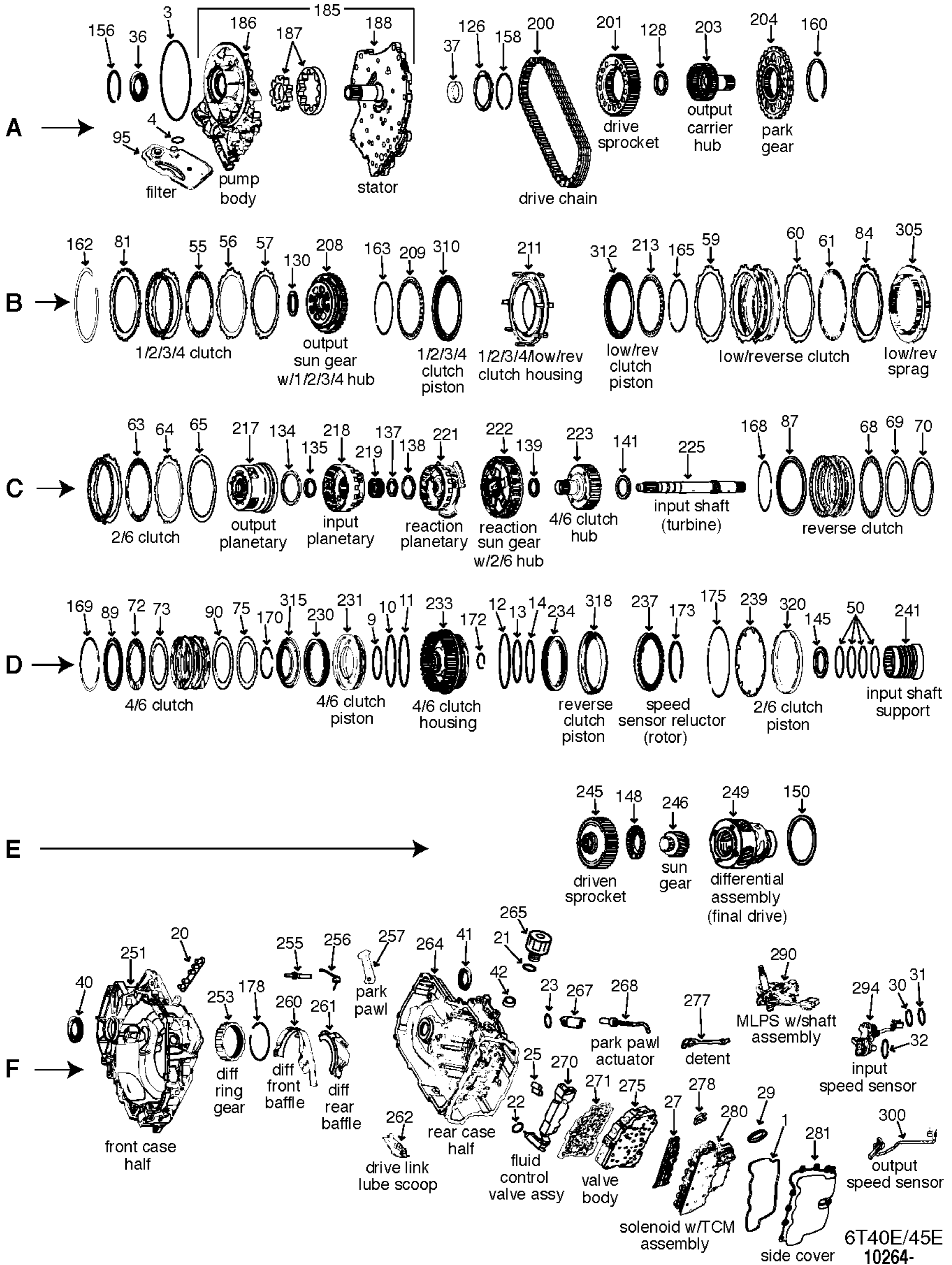
4T80E
37000

| ILL | DESCRIPTION | QTY | YEAR | REFERENCE # | PART # |
|--------------------------------------|--------------------------------|-----|-------|-------------|-----------|
| TECHNICAL MANUALS | | | | | |
| K53 | Tech manual 4T80E dis/assembly | 1 | 93-09 | 83-4T80ETM | 010-317 |
| REBUILDER KITS | | | | | |
| K4 | Master deluxe rebuild kit | 1 | 93-94 | AE | K3700-R |
| K4 | Master deluxe rebuild kit | 1 | 95-10 | AE | K3700A-R |
| K5 | Master kit w/steels | 1 | 93-94 | AE | K3700 |
| K5 | Master kit w/steels | 1 | 95-10 | AE | K3700A |
| K6 | Master kit w/o steels | 1 | 93-94 | AE | K3700-LS |
| K6 | Master kit w/o steels | 1 | 95-10 | AE | K3700A-LS |
| K7 | O/H gasket set w/seals-rings | 1 | 93-10 | AE | K37900 |
| K11 | O/H gasket set w/seals-rings | 1 | 93-10 | AE | K37900B |
| GASKETS AND RUBBER COMPONENTS | | | | | |
| B2 | Seal, molded rubber | 1 | 93-10 | 8679392 | 23564 |
| J3 | Gasket, oil pan | 1 | 93-10 | 8681197 | 14002X |
| B6 | Gasket, valve body | 1 | 93-10 | 8683788 | 23540 |
| B7 | Gasket, valve body | 1 | 93-10 | 8684829 | 23541 |
| B8 | Gasket | 1 | 93-10 | 8678609 | 23543 |
| B12 | Gasket | 1 | 93-10 | 8683148 | 23546 |
| B13 | Gasket | 1 | 93-94 | 8683149 | 23547 |
| B13 | Gasket | 1 | 95-10 | 24201535 | 23548 |
| B20 | Seal, lathe cut | 1 | 93-10 | 8679290 | 23554 |
| B23 | Lip seal | 1 | 93-10 | 8679289 | 23557 |
| G26 | Lip seal | 1 | 93-99 | 8677853 | 23567 |
| G26 | Seal, lathe cut | 1 | 00-10 | 24214003 | 23571 |
| H27 | Lip seal | 1 | 93-10 | 8677804 | 23568 |
| D28 | Lip seal | 1 | 93-10 | 8679008 | 23569 |
| D29 | Lip seal | 1 | 93-10 | 8679007 | 23570 |
| C30 | Ring, expander (rubber) | 2 | 93-10 | 8678234 | 13793 |
| A32 | O'ring | 1 | 93-10 | 8679879 | 23020 |
| A35 | Seal, molded rubber | 1 | 93-10 | 8679017 | 23563 |
| A34 | Seal, lathe cut | 1 | 93-10 | 8681100 | 23556 |
| B36 | Seal | 1 | 93-10 | 8678599 | 23565 |
| J37 | Seal | 2 | 93-10 | 8680504 | 23566 |
| n/i | Gasket, bonded (no id) | 1 | 93-93 | 24200435 | 23542 |
| n/i | Gasket, bonded (id #1193) | 1 | 94-94 | 24201193 | 23544 |
| n/i | Gasket, bonded (id #3957/5347) | 1 | 94-02 | 24213957 | 23539 |
| n/i | Gasket, bonded (id #5286) | 1 | 03-10 | 24225286 | 23538 |
| n/i | Gasket | 1 | 93-10 | 24200439 | 23545 |
| n/i | Seal, lathe cut | 1 | 93-10 | 8679070 | 23549 |
| n/i | Seal, lathe cut | 1 | 93-10 | 8679088 | 23550 |
| n/i | Seal, lathe cut | 1 | 93-10 | 8679543 | 23551 |
| n/i | Seal, lathe cut | 1 | 93-10 | 8679084 | 23552 |
| n/i | Seal, lathe cut | 1 | 93-10 | 8679086 | 23553 |
| n/i | Seal, lathe cut | 1 | 93-10 | 24200747 | 23555 |
| n/i | Lip seal | 1 | 93-10 | 8679271 | 23558 |
| n/i | O'ring | 1 | 93-10 | | 23559 |
| n/i | O'ring | 1 | 93-10 | 8680235 | 1078 |
| n/i | O'ring .970" | 1 | 93-10 | | 1025 |
| METAL CLAD SEALS | | | | | |
| A38 | Seal, metal clad | 1 | 93-10 | 8677749 | 37151 |
| A39 | Seal, metal clad | 1 | 93-10 | 8677554 | 37201 |
| B40 | Seal, metal clad | 1 | 93-10 | 8679679 | 37203 |
| H43 | Seal, metal clad | 1 | 93-10 | 8678353 | 37206 |
| n/i | Seal, metal clad | 1 | 93-10 | 8644709 | 51202A |

| ILL | DESCRIPTION | | QTY | YEAR | REFERENCE # | PART # |
|-------------------------------------|--|--------------------------------------|-----|-------|-------------|----------|
| METAL CLAD SEALS (CONTINUED) | | | | | | |
| n/i | Seal, metal clad | drive sprocket (channel plate)(big) | 1 | 93-10 | 24201992 | 37204 |
| n/i | Seal, metal clad | turbine shaft (channel plate)(small) | 1 | 93-10 | 24201991 | 37205 |
| SEALING RINGS | | | | | | |
| K10 | Kit, sealing ring | 4T80E | 1 | 93-10 | AE | K37903T |
| A46 | Ring, sealing (teflon) | turbine shaft (rear) | 1 | 93-10 | 8679881 | 37303T |
| C47 | Ring, sealing (vespel stepped joint) | 2nd clutch support | 2 | 93-10 | 8678235 | 37302T |
| E48 | Ring, sealing (teflon) | 3rd clutch housing | 2 | 93-10 | 8656342 | 66321T |
| H49 | Ring, sealing (teflon) | forward/coast clutch support | 3 | 93-10 | 8679587 | 37300T |
| CLUTCH PLATES | | | | | | |
| C51 | Friction .080" 6.410" od 54T | 2nd clutch | 3 | 93-94 | 8681371 | 37103 |
| C51 | Friction .070" 6.410" od 54T | 2nd clutch | 4 | 95-10 | 24201546 | 37103A |
| C52 | Steel .090" 5.560" id 5T | 2nd clutch | 2 | 93-94 | 8677609 | 37102 |
| C52 | Steel .080" 5.560" id 5T | 2nd clutch | 3 | 95-10 | 8684721 | 37102A |
| D53 | Friction .080" 5.940" od 26T | reverse clutch | 3 | 93-10 | 24223150 | 37105 |
| D54 | Steel .090" 4.691" id 22T | reverse clutch | 3 | 93-10 | 8677616 | 37106 |
| D55 | Friction .080" 5.940" od 26T | 3rd clutch | 4 | 93-10 | 8684832 | 37107 |
| D56 | Steel .090" 3.985" id 22T | 3rd clutch | 3 | 93-10 | 8677612 | 37108 |
| G57 | Friction .080" 6.420" od 53T (not in kit) | forward clutch | 5 | 93-97 | 8677811 | 37101 |
| G57 | Friction .080" 6.420" od 53T (high energy) | forward clutch | 5 | 93-10 | 24223145 | 37101A |
| G58 | Steel .077" 16T | forward clutch | 4 | 93-10 | 8679584 | 37100 |
| G64 | Friction .080" 6.260" od 51T | coast clutch | 2 | 93-94 | 8677829 | 37109 |
| G64 | Friction .081" 6.260" od 53T (high energy) | coast clutch | 2 | 95-10 | 24224013 | 37109B |
| G65 | Steel .121" 5.190" id 8T | coast clutch | 1 | 93-10 | 8677808 | 37110 |
| C67 | Steel, waved .050" | 2nd clutch (cushion) | 1 | 93-94 | 8684718 | 37104 |
| C67 | Steel, waved .045" | 2nd clutch (cushion) | 1 | 95-10 | 24201542 | 37104A |
| D69 | Steel, beveled .070" 12T | reverse clutch (cushion) | 1 | 93-10 | 24200288 | 37424-R |
| G71 | Steel, beveled .065" 16T | forward clutch (cushion) | 1 | 93-10 | 8684654 | 37429-R |
| PRESSURE PLATES | | | | | | |
| C80 | Pressure plate .208" 5.0mm | 2nd clutch (apply) | 1 | 93-94 | 8684718 | 37420-R |
| C80 | Pressure plate .178" 4.5mm | 2nd clutch (apply) | 1 | 95-10 | 24201543 | 37421-R |
| C81 | Pressure plate .238" 6.0mm | 2nd clutch (backing) | 1 | 93-94 | 8684720 | 37422-R |
| C81 | Pressure plate .268" 6.7mm | 2nd clutch (backing) | 1 | 95-10 | 24201544 | 37423-R |
| D82 | Pressure plate .173" 4.4mm | reverse clutch (backing) | sel | 93-99 | 8680118 | 37425-R |
| D82 | Pressure plate .198" 5.0mm | reverse clutch (backing) | sel | 93-99 | 8680119 | 37425A-R |
| D82 | Pressure plate .216" 5.2mm | reverse clutch (backing) | sel | 93-99 | 8680120 | 37425B-R |
| D82 | Pressure plate (stamped C) | reverse clutch (backing 2nd design) | sel | 99-10 | 24212649 | 37425C-R |
| D82 | Pressure plate (stamped D) | reverse clutch (backing 2nd design) | sel | 99-10 | 24212650 | 37425D-R |
| D82 | Pressure plate (stamped E) | reverse clutch (backing 2nd design) | sel | 99-10 | 24212651 | 37425E-R |
| E83 | Pressure plate .140" 3.5mm | 3rd clutch (apply) | 1 | 93-10 | 8677613 | 37426-R |
| E84 | Pressure plate .312" 7.8mm | 3rd clutch (backing) | 1 | 93-10 | 8078722 | 37427-R |
| G85 | Pressure plate .287" 7.2mm | forward (backing) | sel | 93-10 | 8684655 | 37428-R |
| G85 | Pressure plate .300" 7.5mm | forward (backing) | sel | 93-10 | 8684656 | 37428A-R |
| G85 | Pressure plate .312" 7.8mm | forward (backing) | sel | 93-10 | 8684657 | 37428B-R |
| G85 | Pressure plate .321" 8.0mm | forward (backing) | sel | 93-10 | 8684658 | 37428C-R |
| G85 | Pressure plate .332" 8.3mm | forward (backing) | sel | 93-10 | 8684659 | 37428D-R |
| G85 | Pressure plate .340" 8.5mm | forward (backing) | sel | 93-10 | 8684660 | 37428E-R |
| G85 | Pressure plate .352" 8.8mm | forward (backing) | sel | 93-10 | 8684661 | 37428F-R |
| G85 | Pressure plate .360" 9.0mm | forward (backing) | sel | 93-99 | 8684662 | 37428G-R |
| G85 | Pressure plate .373" 9.3mm | forward (backing) | sel | 93-99 | 8684663 | 37428H-R |
| G86 | Pressure plate .120" 3.0mm | forward (apply) and coast (backing) | 2 | 93-10 | 8684653 | 37431-R |
| G87 | Pressure plate .158" 3.9mm | coast (apply) | 1 | 93-10 | 8679837 | 37438-R |
| | | | | | | |
| | | | | | | |

| ILL | DESCRIPTION | QTY | YEAR | REFERENCE # | PART # |
|-------------------------------------|---|-----|-------|-------------|--------|
| FILTERS | | | | | |
| B90 | Filter main sump | 1 | 93-10 | 8681416 | 37710 |
| J91 | Filter left side scavenger | 1 | 93-10 | 8680700 | 37713 |
| J92 | Filter right side scavenger | 1 | 93-10 | 867916 | 37714 |
| n/i | Screen, filter lock-up/TCC pressure control solenoid | 1 | 93-10 | 8680389 | 37711 |
| n/i | Screen, filter force motor (EPC) | 1 | 93-10 | 8661715 | 34715 |
| BANDS | | | | | |
| C93 | Band 4th (overdrive) | 1 | 93-10 | 8684246 | 37700 |
| H94 | Band low/reverse | 1 | 93-10 | 24204502 | 37701 |
| BUSHINGS | | | | | |
| K13 | Kit, bushing 4T80E | 1 | 93-10 | AE | K37901 |
| A95 | Bushing extension housing | 1 | 93-10 | n/a | 37008 |
| A96 | Bushing drive sprocket supt (stator small) | 1 | 93-10 | n/a | 37001 |
| D97 | Bushing reverse housing (large) | 1 | 93-10 | n/a | 37004 |
| D98 | Bushing reverse housing (small) | 1 | 93-10 | n/a | 37003 |
| E99 | Bushing 3rd clutch housing (input shaft) | 1 | 93-10 | n/a | 37002 |
| E100 | Bushing 3rd clutch hub | 1 | 93-10 | n/a | 37007 |
| E101 | Bushing reaction sun gear (shell) | 1 | 93-10 | n/a | 37006 |
| F102 | Bushing input flange (hub) | 1 | 93-10 | n/a | 37013 |
| H103 | Bushing forward/coast housing (small) | 1 | 93-10 | n/a | 37009 |
| H104 | Bushing forward/coast housing (large) | 1 | 93-10 | n/a | 37010 |
| H105 | Bushing forward/coast support (front) | 1 | 93-10 | n/a | 37011 |
| H106 | Bushing forward/coast support (rear) | 1 | 93-10 | n/a | 37012 |
| F107 | Bushing final drive sungear shaft | 1 | 93-10 | n/a | 37014 |
| A108 | Bushing drive sprocket supt (stator large) | 1 | 93-10 | n/a | 37005 |
| WASHERS/BEARINGS/RACES/SHIMS | | | | | |
| K12 | Kit, thrust bearing 4T80E | 1 | 93-10 | AE | K37906 |
| K14 | Kit, thrust washer 4T80E | 1 | 93-10 | AE | K37907 |
| J110 | Trust washer differential carrier to bearing | sel | 93-10 | 8680359 | 37403 |
| C112 | Trust washer driven sprocket support to reverse drum | 1 | 93-10 | 8679618 | 37410 |
| D113 | Trust washer 2nd clutch outer race to reverse drum | 1 | 93-10 | 8678725 | 37411 |
| D114 | Trust washer reverse drum to 3rd clutch housing | sel | 93-10 | 8680350 | 37412 |
| E115 | Trust washer 3rd housing to 3rd clutch hub | 1 | 93-10 | 8678721 | 37413 |
| F116 | Trust washer 4.880" od input flange to outer sprag race | 1 | 93-10 | n/a | 37414 |
| G117 | Trust washer 4.735" od outer sprag race to coast clutch hub | 1 | 93-10 | n/a | 37415 |
| J118 | Bearing, thrust sun gear to diff carrier (final drive) | 1 | 93-10 | 8682110 | 37441 |
| J119 | Bearing, thrust thrust washer to extension housing | 2 | 93-10 | 9436851 | 35400C |
| H120 | Bearing, thrust forward/coast support to park gear | 1 | 93-10 | 8646504 | 37434 |
| D121 | Bearing, thrust driven sprocket support to 3rd clutch hsg | 1 | 93-10 | 8677886 | 37435 |
| F122 | Bearing, thrust reaction carrier to input sun gear | 2 | 93-10 | 9436851 | 35400C |
| F123 | Bearing, thrust input carrier to input flange | 1 | 93-10 | 8678189 | 37437 |
| G124 | Bearing, thrust input flange to forward/coast drum | 1 | 93-10 | n/a | 37448 |
| A125 | Bearing, thrust driven sprocket to channel plate | 1 | 93-96 | 24203059 | 37433 |
| A125 | Bearing, thrust driven sprocket to channel plate | 1 | 97-10 | 8636118 | 37433A |
| E126 | Bearing, thrust sun gear (shell) to 3rd clutch hub | 1 | 93-10 | 8677884 | 37439 |
| A127 | Bearing, thrust drive sprocket to channel plate | 1 | 93-10 | 9436851 | 35400C |
| H128 | Bearing, thrust fwd/coast drum to fwd/coast support | 1 | 93-10 | 8678211 | 37436 |
| n/i | Thrust washer diff right (rear) side gear w/shaft | 1 | 93-10 | n/a | 37416 |
| n/i | Thrust washer diff left (front) side gear w/o shaft | 1 | 93-10 | 08682110 | 37417 |
| n/i | Thrust washer pump driven shaft to scavenge pump body | 1 | 93-10 | n/a | 37430 |
| | | | | | |
| | | | | | |
| | | | | | |
| | | | | | |

| ILL | DESCRIPTION | QTY | YEAR | REFERENCE # | PART # |
|------------------------------|--|-----|-------|-------------|------------|
| SNAP RINGS | | | | | |
| A132 | Snap ring turbine shaft | 1 | 93-10 | 8685114 | 37600-R |
| A133 | Snap ring output shaft | 2 | 93-10 | 8685521 | 37601-R |
| C134 | Snap ring 2nd clutch piston spring retainer | 1 | 93-10 | 8678230 | 37602-R |
| C135 | Snap ring 2nd sprag retainer | 1 | 93-10 | 8678726 | 37603-R |
| D136 | Snap ring reverse clutch piston spring retainer | 1 | 93-10 | 8678731 | 37604-R |
| DE137 | Snap ring rev and 3rd clutch pressure plate | 2 | 93-10 | 8683742 | 37605-R |
| E138 | Snap ring 3rd clutch piston spring retainer | 1 | 93-10 | 8678777 | 37606-R |
| F139 | Snap ring input carrier sun gear | 1 | 93-10 | 8678181 | 37607-R |
| F146 | Snap ring input carrier/input flange to ring gear | 2 | 93-10 | 8677619 | 37608-R |
| G147 | Snap ring forward clutch pressure plate | 1 | 93-10 | 8678880 | 37609-R |
| G148 | Snap ring fwd/coast clutch piston spring retainer | 1 | 93-10 | 8678877 | 37610-R |
| H149 | Snap ring park gear | 1 | 93-10 | 8678188 | 37611-R |
| H150 | Snap ring diff ring gear (final drive) | 1 | 93-10 | 8681080 | 37612-R |
| PUMP PARTS AND PUMPS | | | | | |
| B140 | Shaft, drive pump (long) | 1 | 93-10 | 8679883 | 37969 |
| B141 | Pump body scavenge | 1 | 93-10 | 8684303 | 37201-R |
| B142 | Shaft, driven pump (short) | 1 | 93-10 | 24203363 | 37970-R |
| B143 | Pump body primary | 1 | 93-10 | 8684949 | 37200-R |
| B144 | Pump body secondary | 1 | 93-10 | 8684950 | 37202-R |
| HARD PARTS | | | | | |
| A151 | Stator drive sprocket support | 1 | 93-10 | 8681071 | 37735-R |
| D169 | Drum, 3 clutch reverse clutch | 1 | 93-98 | 8684006 | 37726-R |
| D169 | Drum, 2 clutch reverse clutch | 1 | 98-10 | 24212654 | 37726A-R |
| E172 | Housing, 3rd clutch w/shaft | 1 | 93-10 | 8682114 | 37729-R |
| E178 | Shell, sun gear 4T80E | 1 | 93-10 | 8678083 | 37728-R |
| F179 | Carrier, reaction (front) | 1 | 93-10 | 8681884 | 37730-R |
| F183 | Carrier, input (rear) | 1 | 93-10 | 8681887 | 37747-R |
| A190 | Chain, drive (1"wide) | 1 | 93-10 | HV-038 | 37973 |
| H193 | Drum, forward/coast clutch 4T80E | 1 | 93-10 | 8682878 | 37727-R |
| n/i | Link manual valve wire | 1 | 93-10 | 24219495 | 37935 |
| n/i | Clip manual link retaining | 1 | 93-10 | 24209439 | 37959 |
| n/i | Spring 1-2 accumulator | 1 | 93-10 | 8682001 | 37708 |
| n/i | Spring 2-3 accumulator | 1 | 93-10 | 8684827 | 37704 |
| n/i | Spring 3-4 accumulator | 1 | 93-10 | 8683290 | 37706 |
| n/i | Spring forward accumulator | 1 | 93-10 | 8684670 | 37707 |
| n/i | Spring reverse accumulator | 1 | 93-10 | 8682129 | 37705 |
| n/i | Spring reverse accumulator (cushion) | 1 | 93-10 | 8683289 | 37703 |
| n/i | Bearing, ball (type) | 1 | 93-10 | 8677841 | 37486 |
| ELECTRICAL COMPONENTS | | | | | |
| A261 | Harness, wiring (dual) | 1 | 93-93 | 12143262 | 16A-203 |
| A261 | Harness, wiring (single) | 1 | 94-96 | 24230350 | 16A-203A |
| A261 | Harness, wiring (single) | 1 | 96-00 | 24230351 | 16A-203B |
| A261 | Harness, wiring w/internal mode switch (pins) | 1 | 00-03 | 24219013 | 16A-141 |
| A261 | Harness, wiring w/internal mode switch (pins) | 1 | 04-05 | 24229667 | 16A-142 |
| A261 | Harness, wiring w/internal mode switch (pins) | 1 | 06-10 | n/a | 16A-142A |
| n/i | Sensor, oil temperature 4T80E | 1 | 93-10 | 8678854 | 15A-220 |
| n/i | Sensor, speed vehicle/output (VSS) | 1 | 93-10 | 24204319 | 15A-221 |
| n/i | Sensor, speed input (1st design 14" long) | 1 | 93-96 | 24209654 | 15A-222 |
| n/i | Sensor, speed input (2nd design 9.5" long) | 1 | 96-10 | 2420791 | 15A-222A |
| n/i | Solenoid electronic pressure control (EPC) | 1 | 93-03 | 8683187 | 5A-400 |
| n/i | Solenoid (white connector) electronic pressure control (EPC)(holley) | 1 | 04-10 | 24225320 | 5A-400B |
| n/i | Kit, repair EPC solenoid (w/reamer) w/reamer | 1 | 93-03 | 4L6-SOL-KIT | 5A-400-RKR |
| n/i | Refill, repair kit-EPC solenoid qty 4 | ar | 93-03 | 4L6-SOL-4 | 5A-400-RK |



| ILL | DESCRIPTION | | QTY | YEAR | REFERENCE # | PART # |
|--------------------------------------|--------------------------------|---------------------------------------|-----|-------|-------------|-------------|
| TECHNICAL MANUALS | | | | | | |
| K53 | Tech manual 6T40E dis/assembly | diagnosis/troubleshooting | 1 | 08-10 | n/a | 010-335 |
| REBUILDER KITS | | | | | | |
| K5 | Master kit w/steels | w/pistons | 1 | 08-10 | AE | 10264-11004 |
| K5 | Master kit w/steels | w/o pistons | 1 | 08-10 | AE | 10264-11104 |
| K6 | Master kit w/o steels | w/pistons | 1 | 08-10 | AE | 10264-12004 |
| K6 | Master kit w/o steels | w/o pistons | 1 | 08-10 | AE | 10264-12104 |
| K7 | O/H gasket set w/seals-rings | w/pistons | 1 | 08-10 | AE | 10264-13004 |
| K7 | O/H gasket set w/seals-rings | w/o pistons | 1 | 08-10 | AE | 10264-13104 |
| GASKETS AND RUBBER COMPONENTS | | | | | | |
| F1 | Gasket, oil pan | molded rubber | 1 | 08-10 | n/a | 10264-20004 |
| METAL CLAD SEALS | | | | | | |
| A36 | Seal, metal clad | front | 1 | 08-10 | n/a | 10264-30004 |
| F40 | Seal, metal clad | right axle | 1 | 08-10 | n/a | 10264-30104 |
| F41 | Seal, metal clad | left axle | 1 | 08-10 | n/a | 10264-30204 |
| F42 | Seal, metal clad | manual lever shaft | 1 | 08-10 | n/a | 10264-30503 |
| SEALING RINGS | | | | | | |
| K10 | Kit, sealing ring | 6T40E/6T45E | 1 | 08-10 | AE | 10264-31504 |
| CLUTCH PLATES | | | | | | |
| B55 | Friction | 1st/2nd/3rd/4th clutch | var | 08-10 | n/a | 10264-35104 |
| B56 | Steel | 1st/2nd/3rd/4th clutch | var | 08-10 | n/a | 10264-37504 |
| B57 | Steel, waved | 1st/2nd/3rd/4th clutch | 1 | 08-10 | n/a | 10264-40104 |
| B59 | Steel, waved | low/reverse clutch | 1 | 08-10 | n/a | 10264-40204 |
| B60 | Steel | low/reverse clutch | var | 08-10 | n/a | 10264-37604 |
| B61 | Friction | low/reverse clutch | var | 08-10 | n/a | 10264-35204 |
| C63 | Friction | 2nd/6th clutch | var | 08-10 | n/a | 10264-35304 |
| C64 | Steel | 2nd/6th clutch | var | 08-10 | n/a | 10264-37704 |
| C65 | Steel, waved | 2nd/6th clutch | 1 | 08-10 | n/a | 10264-41903 |
| C68 | Friction | reverse clutch | var | 08-10 | n/a | 10264-35403 |
| C69 | Steel | reverse clutch | var | 08-10 | n/a | 10264-37804 |
| C70 | Steel, waved | reverse clutch | 1 | 08-10 | n/a | 10264-40404 |
| D72 | Friction | 4th/6th clutch | var | 08-10 | n/a | 10264-35504 |
| D73 | Steel | 4th/6th clutch | var | 08-10 | n/a | 10264-37904 |
| D75 | Steel, waved | 4th/6th clutch | 1 | 08-10 | n/a | 10264-40504 |
| PRESSURE PLATES | | | | | | |
| B81 | Pressure plate | 1st/2nd/3rd/4th clutch | 1 | 08-10 | AE | 10264-41103 |
| B84 | Pressure plate | low/reverse clutch (apply) | 1 | 08-10 | AE | 10264-41503 |
| C87 | Pressure plate | reverse clutch | 1 | 08-10 | AE | 10264-42203 |
| D89 | Pressure plate | 4th/6th clutch | 1 | 08-10 | AE | 10264-42503 |
| D90 | Pressure plate | 4th/6th clutch (apply) | 1 | 08-10 | AE | 10264-42903 |
| FILTERS | | | | | | |
| A95 | Filter | 6T40E/6T45E | 1 | 08-10 | n/a | 10264-45004 |
| BUSHINGS | | | | | | |
| K13 | Kit, bushing | 6T40E/6T45E | 1 | 08-10 | AE | 10264-50004 |
| WASHERS/BEARINGS/RACES/SHIMS | | | | | | |
| K12 | Kit, thrust bearing | 6T40E/6T45E | 1 | 08-10 | AE | 10264-55104 |
| A126 | Thrust washer | output hub to pump stator | 1 | 08-10 | n/a | 10264-56104 |
| A128 | Bearing, thrust | output hub to pump stator | 1 | 08-10 | n/a | 10264-56304 |
| B130 | Bearing, thrust | output sun gear to output hub | 1 | 08-10 | n/a | 10264-56504 |
| C134 | Bearing, thrust | output planetary to input planetary | 1 | 08-10 | n/a | 10264-56804 |
| C135 | Bearing, thrust | output planetary to input planetary | 1 | 08-10 | n/a | 10264-57004 |
| C137 | Bearing, thrust | sun gear to reaction planetary | 1 | 08-10 | n/a | 10264-57404 |
| C138 | Bearing, thrust | input planetary to reaction planetary | 1 | 08-10 | n/a | 10264-57604 |
| C139 | Bearing, thrust | reaction sun gear to hub | 1 | 08-10 | n/a | 10264-55404 |

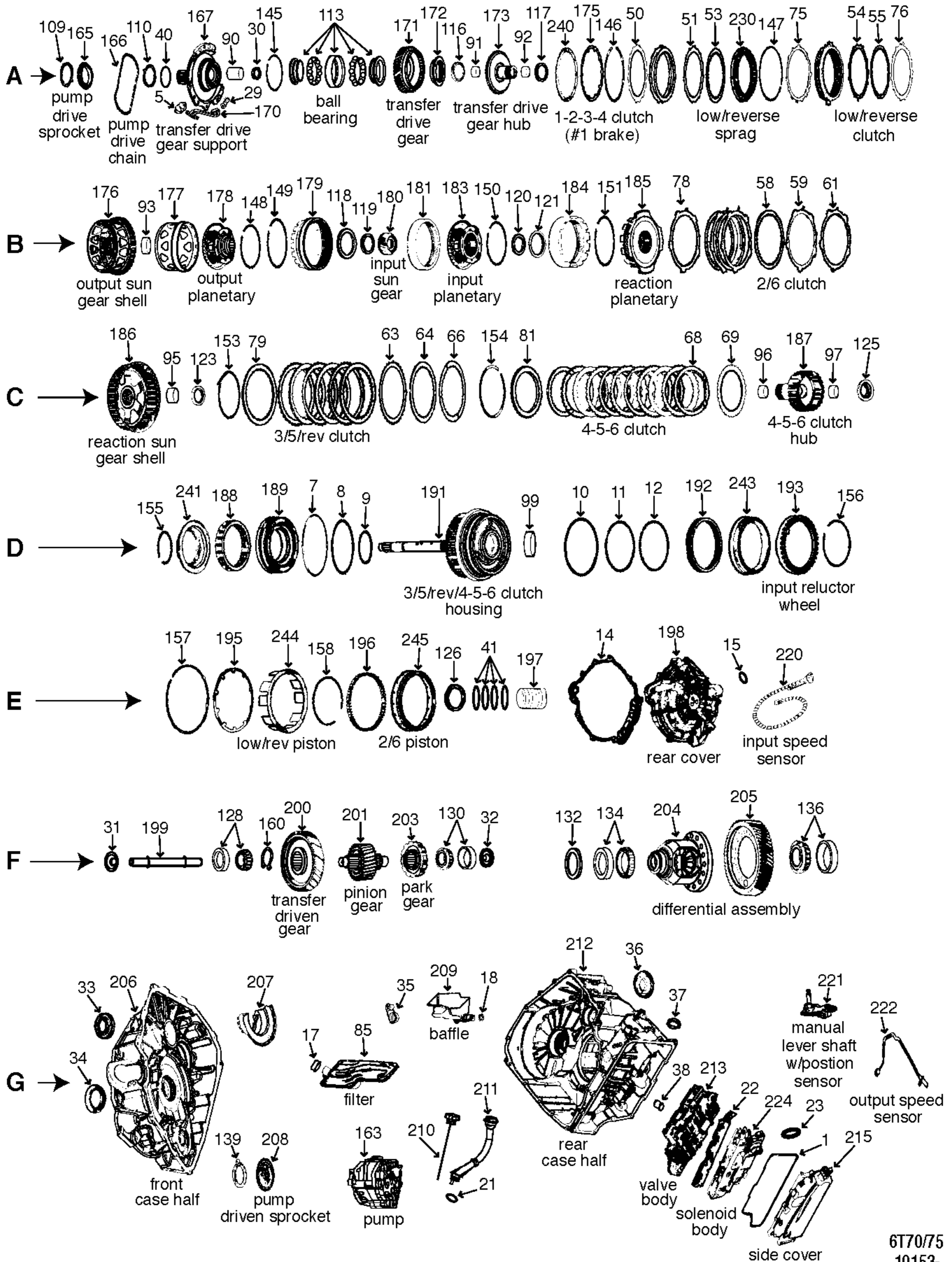
6T40E•6T45E

6T40E•6T45E

| ILL | DESCRIPTION | QTY | YEAR | REFERENCE # | PART # | |
|---|---------------------------------------|----------------------------------|------|-------------|--------|-------------|
| WASHERS/BEARINGS/RACES/SHIMS (CONTINUED) | | | | | | |
| C141 | Bearing, thrust | 4th/6th clutch hub | 1 | 08-10 | n/a | 10264-58004 |
| D145 | Bearing, thrust | 4th/6th housing to input support | 1 | 08-10 | n/a | 10264-55704 |
| E148 | Bearing, thrust | sun gear to driven sprocket | 1 | 08-10 | n/a | 10264-59004 |
| E150 | Bearing, thrust | differential to case housing | 1 | 08-10 | n/a | 10264-59504 |
| SNAP RINGS | | | | | | |
| A125 | Snap ring | front seal retainer | 1 | 08-10 | AE | 10264-62103 |
| A126 | Snap ring | drive sprocket | 1 | 08-10 | AE | 10264-62403 |
| A160 | Snap ring | park gear | 1 | 08-10 | AE | 10264-63003 |
| B162 | Snap ring | 1st/2nd/3rd/4th pressure plate | 1 | 08-10 | AE | 10264-63503 |
| B163 | Snap ring | 1st/2nd/3rd/4th diaphragm | 1 | 08-10 | AE | 10264-63903 |
| B165 | Snap ring | low/reverse diaphragm | 1 | 08-10 | AE | 10264-64303 |
| C168 | Snap ring | reverse pressure plate | 1 | 08-10 | AE | 10264-64603 |
| D169 | Snap ring | 4th/6th pressure plate | 1 | 08-10 | AE | 10264-64803 |
| C170 | Snap ring | 4th/6th retainer | 1 | 08-10 | AE | 10264-64903 |
| D172 | Snap ring | 4th/6th housing | 1 | 08-10 | AE | 10264-65303 |
| D173 | Snap ring | speed reluctor | 1 | 08-10 | AE | 10264-65603 |
| F178 | Snap ring | differential ring gear | 1 | 08-10 | AE | 10264-65803 |
| PUMP PARTS AND PUMPS | | | | | | |
| A185 | Pump assembly | need exchange | 1 | 08-10 | AE | 10264-67003 |
| A186 | Body, pump w/gears | need exchange | 1 | 08-10 | AE | 10264-70203 |
| A187 | Gears, pump | 6T40E/6T45E | 1 | 08-10 | n/a | 10264-70104 |
| A188 | Support, pump | need exchange | 1 | 08-10 | AE | 10264-70303 |
| HARD PARTS | | | | | | |
| A200 | Chain, drive | 6T40E/6T45E | 1 | 08-10 | n/a | 10264-72304 |
| A201 | Sprocket, drive | 6T40E/6T45E | 1 | 08-10 | AE | 10264-72503 |
| A203 | Hub, output carrier | 6T40E/6T45E | 1 | 08-10 | AE | 10264-72803 |
| A204 | Gear, park | 6T40E/6T45E | 1 | 08-10 | AE | 10264-73004 |
| B208 | Gear, sun output | with 1st/2nd/3rd/4th hub | 1 | 08-10 | AE | 10264-73303 |
| B209 | Spring, diaphragm | 1st/2nd/3rd/4th return | 1 | 08-10 | AE | 10264-73503 |
| B211 | Housing, 1st/2nd/3rd/4th | low/reverse | 1 | 08-10 | AE | 10264-73803 |
| B213 | Spring, diaphragm | low/reverse return | 1 | 08-10 | AE | 10264-74003 |
| C217 | Planetary, output carrier | 6T40E/6T45E | 1 | 08-10 | AE | 10264-74303 |
| C218 | Planetary, input carrier | 6T40E/6T45E | 1 | 08-10 | AE | 10264-75203 |
| C219 | Gear, sun | 6T40E/6T45E | 1 | 08-10 | AE | 10264-75503 |
| C221 | Planetary, reaction carrier | 6T40E/6T45E | 1 | 08-10 | AE | 10264-75903 |
| C222 | Hub, reaction sun gear | with 2nd/6th hub | 1 | 08-10 | AE | 10264-76303 |
| C223 | Hub, 4th/6th clutch | 6T40E/6T45E | 1 | 08-10 | AE | 10264-76503 |
| C225 | Shaft, input turbine | 6T40E/6T45E | 1 | 08-10 | AE | 10264-76803 |
| D230 | Retainer, w/springs | 4th/6th clutch return | 1 | 08-10 | AE | 10264-77003 |
| D231 | Piston, 4th/6th clutch | 6T40E/6T45E | 1 | 08-10 | AE | 10264-77203 |
| D233 | Housing, 4th/6th clutch | 6T40E/6T45E | 1 | 08-10 | AE | 10264-77803 |
| D234 | Retainer, w/springs | reverse clutch return | 1 | 08-10 | AE | 10264-78003 |
| D237 | Piston, reverse clutch | 6T40E/6T45E | 1 | 08-10 | AE | 10264-78203 |
| D234 | Spring, diaphragm | 2nd/6th clutch return | 1 | 08-10 | AE | 10264-78403 |
| D241 | Hub, input shaft support | spring, diaphragm | 1 | 08-10 | AE | 10264-78703 |
| E245 | Sprocket, driven | 6T40E/6T45E | 1 | 08-10 | AE | 10264-79003 |
| E246 | Gear, sun (final drive) | 6T40E/6T45E | 1 | 08-10 | AE | 10264-79203 |
| E249 | Differential, assembly (final drive) | 6T40E/6T45E | 1 | 08-10 | AE | 10264-79503 |
| F253 | Gear, differential ring (final drive) | 6T40E/6T45E | 1 | 08-10 | AE | 10264-79803 |
| F255 | Pin, park pawl | 6T40E/6T45E | 1 | 08-10 | AE | 10264-80103 |
| F256 | Spring, park pawl | 6T40E/6T45E | 1 | 08-10 | AE | 10264-80203 |
| F257 | Pawl, park | 6T40E/6T45E | 1 | 08-10 | AE | 10264-80303 |
| F260 | Baffle, front differential | 6T40E/6T45E | 1 | 08-10 | AE | 10264-80603 |

| ILL | DESCRIPTION | | QTY | YEAR | REFERENCE # | PART # |
|-------------------------------|------------------------------|----------------------------|-----|-------|-------------|-------------|
| HARD PARTS (CONTINUED) | | | | | | |
| F261 | Baffle, rear differential | 6T40E/6T45E | 1 | 08-10 | AE | 10264-80703 |
| F262 | Scoop, drive link lube | 6T40E/6T45E | 1 | 08-10 | AE | 10264-80803 |
| F265 | Vent, case (fill cap) | 6T40E/6T45E | 1 | 08-10 | n/a | 10264-81004 |
| F267 | Guide, actuator | 6T40E/6T45E | 1 | 08-10 | AE | 10264-81103 |
| F268 | Actuator, park (rod) | 6T40E/6T45E | 1 | 08-10 | AE | 10264-81203 |
| F270 | Valve, fluid control | 6T40E/6T45E | 1 | 08-10 | AE | 10264-81503 |
| F277 | Spring, detent | 6T40E/6T45E | 1 | 08-10 | AE | 10264-81803 |
| ELECTRICAL COMPONENTS | | | | | | |
| F280 | Solenoid, with TCM assembly | 6T40E/6T45E | 1 | 08-10 | n/a | 10264-85104 |
| F290 | Switch, MLPS (neutral start) | 6T40E/6T45E | 1 | 08-10 | n/a | 10264-85203 |
| F294 | Sensor | 6T40E/6T45E (input speed) | 1 | 08-10 | n/a | 10264-85303 |
| F300 | Sensor | 6T40E/6T45E (output speed) | 1 | 08-10 | n/a | 10264-85403 |
| SPRAGS | | | | | | |
| B305 | Sprag | 6T40E/6T45E (low/reverse) | 1 | 08-10 | n/a | 10264-94104 |
| B305 | Sprag | 6T40E/6T45E (low/reverse) | 1 | 08-10 | AE | 10264-94103 |
| BONDED PISTONS | | | | | | |
| B310 | Piston, bonded rubber | 1st/2nd/3rd/4th clutch | 1 | 08-10 | n/a | 10264-96204 |
| B312 | Piston, bonded rubber | low/reverse clutch | 1 | 08-10 | n/a | 10264-96404 |
| D315 | Piston, bonded rubber | 4th/6th clutch | 1 | 08-10 | n/a | 10264-96604 |
| D318 | Piston, bonded rubber | reverse clutch | 1 | 08-10 | n/a | 10264-96904 |
| D320 | Piston, bonded rubber | 2nd/6th clutch | 1 | 08-10 | n/a | 10264-97504 |
| NOTES | | | | | | |
| | | | | | | |
| | | | | | | |
| | | | | | | |
| | | | | | | |
| | | | | | | |
| | | | | | | |
| | | | | | | |
| | | | | | | |
| | | | | | | |
| | | | | | | |
| | | | | | | |
| | | | | | | |
| | | | | | | |
| | | | | | | |
| | | | | | | |
| | | | | | | |
| | | | | | | |
| | | | | | | |
| | | | | | | |
| | | | | | | |
| | | | | | | |
| | | | | | | |
| | | | | | | |
| | | | | | | |
| | | | | | | |
| | | | | | | |
| | | | | | | |
| | | | | | | |
| | | | | | | |
| | | | | | | |
| | | | | | | |
| | | | | | | |
| | | | | | | |
| | | | | | | |
| | | | | | | |
| | | | | | | |
| | | | | | | |
| | | | | | | |
| | | | | | | |
| | | | | | | |
| | | | | | | |
| | | | | | | |
| | | | | | | |

6T40E•6T45E



6T70/75
10153-

| ILL | DESCRIPTION | QTY | YEAR | REFERENCE # | PART # |
|--------------------------------------|--|-----|-------|-------------|-------------|
| TECHNICAL MANUALS | | | | | |
| K53 | Tech manual 6T75/6F55 dis/assembly diagnosis/troubleshooting | 1 | 07-10 | n/a | 010-329 |
| REBUILDER KITS | | | | | |
| K5 | Master kit w/steels w/pistons | 1 | 07-10 | AE | 10153-11004 |
| K5 | Master kit w/steels w/o pistons | 1 | 07-10 | AE | 10153-11104 |
| K6 | Master kit w/o steels w/pistons | 1 | 07-10 | AE | 10153-12004 |
| K6 | Master kit w/o steels w/o pistons | 1 | 07-10 | AE | 10153-12104 |
| K7 | O/H gasket set w/seal-rings w/pistons | 1 | 07-10 | DP2521 | 10153-13004 |
| K7 | O/H gasket set w/seal-rings w/o pistons | 1 | 07-10 | DP2520 | 10153-13104 |
| n/i | Kit, valve body gaskets 6T0/6T75 | 1 | 07-10 | 4826 | 10153-16004 |
| GASKETS AND RUBBER COMPONENTS | | | | | |
| G1 | Gasket, side cover (molded rubber) 6T70E/6T75E/MY9 FWD/ MH6 AWD | 1 | 07-10 | B33373 | 10153-20004 |
| A5 | Gasket, bonded rubber pipe rack to support | 1 | 07-10 | n/a | 15153-28004 |
| D7 | D'ring (orange strip) outer 3/5/reverse piston | 1 | 07-10 | n/a | 15153-21504 |
| D8 | D'ring outer 3/5/reverse piston | 1 | 07-10 | n/a | 15153-21604 |
| D9 | D'ring inner 3/5/reverse piston | 1 | 07-10 | n/a | 15153-21704 |
| D10 | D'ring outer 4/5/6 clutch housing | 1 | 07-10 | n/a | 15153-21804 |
| D11 | D'ring outer 4/5/6 clutch housing | 1 | 07-10 | n/a | 15153-21904 |
| D12 | D'ring (orange strip) outer 4/5/6 clutch housing | 1 | 07-10 | n/a | 15153-22004 |
| E14 | Gasket, end housing (molded rubber) 6T70E/6T75E | 1 | 07-10 | n/a | 15153-28204 |
| E15 | O'ring input speed sensor | 1 | 07-10 | n/a | 15153-22504 |
| G18 | O'ring oil baffle | 1 | 07-10 | n/a | 15153-22904 |
| G17 | Seal, boot oil filter | 1 | 07-10 | n/a | 15153-22804 |
| G21 | O'ring filler tube | 1 | 07-10 | n/a | 10153-23004 |
| G22 | Gasket, solenoid body (plastic w/screens) 6T70E/6T75E | 1 | 07-10 | n/a | 15153-23804 |
| G23 | Seal, solenoid body 6T70E/6T75E | 1 | 07-10 | n/a | 15153-23104 |
| n/i | Seal, round rubber pump slide | 1 | 07-10 | n/a | 15153-23904 |
| n/i | Seal, flat plastic pump slide | 1 | 07-10 | n/a | 15153-24004 |
| n/i | O'ring pump slide | 1 | 07-10 | n/a | 15153-24104 |
| METAL CLAD SEALS | | | | | |
| A29 | Seal, metal clad tube rack to support (bonded rubber) | 1 | 07-10 | n/a | 10153-30704 |
| A30 | Seal, metal clad turbine shaft | 1 | 07-10 | n/a | 10153-30404 |
| F31 | Seal, metal clad lube tube goes under bearing cup | 1 | 07-10 | n/a | 15153-30504 |
| F32 | Seal, metal clad lube tube goes under bearing cup | 1 | 07-10 | n/a | 15153-30504 |
| G33 | Seal, metal clad right axle | 1 | 07-10 | 24234257 | 10153-30304 |
| G34 | Seal, metal clad front seal | 1 | 07-10 | 24223980 | 10153-30104 |
| G35 | Seal, metal clad pump to case (bonded rubber) | 1 | 07-10 | n/a | 10153-30804 |
| G36 | Seal, metal clad left axle | 1 | 07-10 | 24234254 | 10153-30604 |
| G37 | Seal, metal clad manual lever shaft | 1 | 07-10 | 8654709 | 51202A |
| G38 | Seal, metal clad valve body to case (bonded rubber) | 1 | 07-10 | n/a | 10153-30904 |
| SEALING RINGS | | | | | |
| K10 | Kit, sealing ring sealing rings | 1 | 07-10 | AE | 15153-31504 |
| A40 | Sealing ring (teflon solid) transfer drive support | 1 | 07-10 | n/a | 15153-33204 |
| E41 | Sealing ring (teflon solid) 3/5/reverse/4/5/6 clutch housing | 1 | 07-10 | n/a | 15153-33404 |
| CLUTCH PLATES | | | | | |
| A50 | Steel, waved .064" 6.900" id 12T 1st/2nd/3rd/4th clutch | 1 | 07-10 | n/a | 15153-40604 |
| A51 | Steel .083" 6.900" id 12T 1st/2nd/3rd/4th clutch | 2 | 07-10 | 196709-216 | 15153-37504 |
| A53 | Friction .064" 8.200" od 36T 1st/2nd/3rd/4th clutch | 2 | 07-10 | 196708-160 | 15153-35104 |
| A54 | Steel .067" 7.750" id 10T low/reverse clutch | 3 | 07-10 | 196707-173 | 15153-37604 |
| A55 | Friction .067" 8.663" od 48T low/reverse clutch | 4 | 07-10 | 196706-157 | 15153-35204 |
| B58 | Friction .062" 8.234" od 36T 2nd/6th clutch | 3 | 07-10 | 196700-152 | 15153-35304 |
| B59 | Steel .117" 7.194" id 5T 2nd/6th clutch | 3 | 07-10 | 196701-290 | 15153-37704 |
| B61 | Steel, waved .042" 7.300" 5T 2nd/6th clutch | 1 | 07-10 | n/a | 15153-40804 |
| C63 | Friction .062" 5.628" id 36T (external T) 3rd/5th/reverse clutch | 4 | 07-10 | 196704-157 | 15153-35404 |

6T70E•6T75E

6T70E•6T75E

| ILL | DESCRIPTION | QTY | YEAR | REFERENCE # | PART # |
|-------------------------------------|---|-----|-------|-------------|-------------|
| CLUTCH PLATES (CONTINUED) | | | | | |
| C64 | Steel .115" 6.588" od 36T (internal T) 3rd/5th/reverse clutch | 4 | 07-10 | 196705-292 | 15153-37804 |
| C66 | Steel, waved .029" 6.588" od 36T (inter T) 3rd/5th/reverse clutch | 1 | 07-10 | n/a | 15153-40904 |
| C68 | Friction .062" 4.759" od 24T 4th/5th/6th clutch | 6 | 07-10 | 196702-157 | 15153-35504 |
| C69 | Steel .068" 3.929" id 36T 4th/5th/6th clutch | 6 | 07-10 | 1967703-173 | 15153-37904 |
| PRESSURE PLATES | | | | | |
| A75 | PP .316" 7.750" id 10T (stepped) low/reverse clutch | 1 | 07-10 | AE | 15153-41103 |
| A76 | Pressure plate .155" 7.750" id 10T low/reverse clutch (apply) | 1 | 07-10 | AE | 15153-41603 |
| B78 | Pressure plate .253" 7.250" id 5T 2nd/6th clutch | 1 | 07-10 | AE | 15153-42103 |
| C79 | PP .254" 6.558" od 36T (internal step) 3rd/5th/reverse clutch | 1 | 07-10 | AE | 15153-43003 |
| C81 | PP .259" 3.919" id 36T (stepped) 4th/5th/6th clutch | 1 | 07-10 | AE | 15153-42503 |
| FILTERS | | | | | |
| n/i | Filter 6T70E/6T75E | 1 | 07-10 | 24238773 | 10153-45004 |
| E157 | Snap ring .057" 10.050" od low/reverse retainer | 1 | 07-10 | n/a | 15153-64603 |
| BUSHINGS | | | | | |
| K13 | Kit, bushing bushing kit | 1 | 07-10 | AE | 15153-50004 |
| A90 | Bushing, babbitt turbine shaft to transfer support | 1 | 07-10 | n/a | 15153-50804 |
| A91 | Bushing, babbitt front transfer drive hub | 1 | 07-10 | n/a | 15153-51004 |
| A92 | Bushing, teflon coated rear transfer drive hub | 1 | 07-10 | n/a | 15153-51104 |
| B93 | Bushing, babbitt output sun gear shell | 1 | 07-10 | n/a | 15153-51504 |
| B95 | Bushing, babbitt reaction sun gear shell | 1 | 07-10 | n/a | 15153-51804 |
| C96 | Bushing, teflon coated front 4/5/6th clutch hub | 1 | 07-10 | n/a | 15153-52004 |
| D99 | Bushing, babbitt 3/5/reverse/4/5/6 clutch | 1 | 07-10 | n/a | 15153-52504 |
| WASHERS/BEARINGS/RACES/SHIMS | | | | | |
| K12 | Kit, thrust bearing thrust bearing kit | 1 | 07-10 | AE | 15153-55104 |
| A109 | Washer .064" 2.481" od 1 tab (plastic) case half to drive gear | 1 | 07-10 | n/a | 15153-56104 |
| A110 | Washer .094" 2.477" od 3 tabs (plastic) pump drive to drive support | 1 | 07-10 | n/a | 15153-56204 |
| A113 | Bearing, ball type transfer gear | 1 | 07-10 | n/a | 15153-56504 |
| A116 | TB .127" 2.033" od (inner lip) transfer hub to transfer drive hub | 1 | 07-10 | n/a | 15153-56704 |
| A117 | TB .127" 2.033" od (inner lip) transfer hub to output sun gear/shell | 1 | 07-10 | n/a | 15153-56704 |
| B118 | Bearing, thrust .182" 3.342" od output shaft planetary to input planetary | 1 | 07-10 | n/a | 15153-56804 |
| B119 | TB .117" 2.197" od (outer flange) input sun gear to output planetary | 1 | 07-10 | n/a | 15153-56904 |
| B120 | TB .173" 2.310" od (inner flange) input sun gear to reaction planetary | 1 | 07-10 | n/a | 15153-57004 |
| B121 | TB .112" 2.900" od (inner lip) input planetary to reaction planetary | 1 | 07-10 | n/a | 15153-57104 |
| B123 | TB .130" 2.036" od (inner lip) 4/5/6 clutch hub to reaction sun shell | 1 | 07-10 | n/a | 15153-57504 |
| C125 | TB .130" 2.028" od (inner lip) 4/5/6 clutch hub to clutch housing | 1 | 07-10 | n/a | 15153-57604 |
| E126 | TB .142" 2.868" od (3 outer tabs) 3/5/reverse/4/5/6 housing to case | 1 | 07-10 | n/a | 15153-57904 |
| F128 | Bearing, cup/cone pinion gear | 1 | 07-10 | 322/321 | 15153-58504 |
| F130 | Bearing, cup/cone pinion gear | 1 | 07-10 | 322/321 | 15153-58504 |
| F134 | Bearing, cup/cone front differential | 1 | 07-10 | NP26679 | 15153-58604 |
| F136 | Bearing, cup/cone rear differential | 1 | 07-10 | n/a | 15153-58704 |
| G139 | Washer .118" 2.231" od (1 long tab) pump driven gear to case | 1 | 07-10 | n/a | 15153-59204 |
| n/i | Shim .025" 3.541" od rear differential bearing | 1 | 07-10 | n/a | 15153-59004 |
| SNAP RINGS | | | | | |
| A145 | Snap ring .085" 6.050" od (w/taper) bearing to transfer drive gear (taper up) | 1 | 07-10 | n/a | 15153-62103 |
| A146 | Snap ring .057" 7.750" od 1/2/3/4 retainer | 1 | 07-10 | n/a | 15153-62303 |
| A147 | Snap ring .118" 9.434" od low/reverse sprag to case | 1 | 07-10 | n/a | 15153-62403 |
| B148 | Snap ring .069" 5.783" od output planetary to shell | 1 | 07-10 | n/a | 15153-62503 |
| B149 | Snap ring .079" 6.450" od ring gear to shell | 1 | 07-10 | n/a | 15153-62703 |
| B150 | Snap ring .069" 5.303" od ring gear to input planetary | 1 | 07-10 | n/a | 15153-63003 |
| B151 | Snap ring .079" 5.570" od ring gear to reaction planetary | 1 | 07-10 | n/a | 15153-63403 |
| C153 | Snap ring .060" 5.449" od clutch housing to pressure plate | 1 | 07-10 | n/a | 15153-63603 |
| C154 | Snap ring .059" 5.201" od 4/5/6 pressure plate | 1 | 07-10 | n/a | 15153-63803 |
| D155 | Snap ring .059" 2.665" od 4/5/6 spring retainer | 1 | 07-10 | n/a | 15153-64003 |

| ILL | DESCRIPTION | QTY | YEAR | REFERENCE # | PART # |
|-------------------------------|--|-----|-------|-------------|-------------|
| SNAP RINGS (CONTINUED) | | | | | |
| D156 | Snap ring .059" 5.027" od reluctor housing | 1 | 07-10 | n/a | 15153-64203 |
| E157 | Snap ring .057" 10.050" od low/reverse retainer | 1 | 07-10 | n/a | 15153-64603 |
| E158 | Snap ring .059" 6.402" od 2/6 retainer | 1 | 07-10 | n/a | 15153-64903 |
| F160 | Snap ring .062" 1.562" id (tru-ark type) transfer gear to pinion shaft | 1 | 07-10 | n/a | 15153-65203 |
| PUMP PARTS AND PUMPS | | | | | |
| G163 | Pump assembly casting #070240909 | 1 | 07-10 | AE | 15153-67003 |
| n/i | Seal, round rubber slide to housing | 1 | 07-10 | n/a | 15153-23904 |
| n/i | Seal, flat plastic slide to housing | 1 | 07-10 | n/a | 15153-24004 |
| n/i | Ring, pump vanes separator 6T70E/6T75E | 2 | 07-10 | n/a | 15153-32004 |
| n/i | Sealing ring (solid cast iron) slide to housing | 1 | 07-10 | n/a | 15153-32204 |
| n/i | Vanes, pump 6T70E/6T75E | 7 | 07-10 | n/a | 15153-70104 |
| n/i | Slide, pump 6T70E/6T75E | 1 | 07-10 | n/a | 15153-70304 |
| n/i | Rotor, pump 6T70E/6T75E | 1 | 07-10 | n/a | 15153-70504 |
| n/i | Shaft, pump 6T70E/6T75E | 1 | 07-10 | n/a | 15153-70704 |
| n/i | Bushing, oil pump shaft (teflon coated) 6T70E/6T75E | 1 | 07-10 | n/a | 15153-53004 |
| n/i | Washer, spacer oil pump shaft to bearing | 1 | 07-10 | n/a | 15153-60404 |
| n/i | Bearing, caged type w/seal oil pump shaft | 1 | 07-10 | n/a | 15153-60704 |
| HARD PARTS | | | | | |
| A165 | Gear, pump drive 37T 6T70E/6T75E | 1 | 07-10 | n/a | 15153-72103 |
| A166 | Chain, pump drive .204" width 42 links 6T70E/6T75E | 1 | 07-10 | n/a | 15153-72504 |
| A167 | Support, transfer drive gear 6T70E/6T75E | 1 | 07-10 | n/a | 15153-72803 |
| A170 | Rack, tube 6T70E/6T75E | 1 | 07-10 | n/a | 15153-73103 |
| A171 | Gear, transfer drive 69T casting #06346 TC02A 032714 | 1 | 07-10 | n/a | 15153-73303 |
| A172 | Nut, spanner type bearing to drive support | 1 | 07-10 | n/a | 15153-73503 |
| A173 | Hub, transfer drive gear 6T70E/6T75E | 1 | 07-10 | n/a | 15153-73703 |
| A175 | Spring, return (diaphragm type) 1/2/3/4 clutch | 1 | 07-10 | n/a | 15153-74003 |
| B176 | Gear, output sun w/shell clutch hub for 1/2/3/4 clutch brake | 1 | 07-10 | n/a | 15153-74203 |
| B177 | Hub, drive shell drive for output planetary/input ring gear | 1 | 07-10 | n/a | 15153-74503 |
| B178 | Planetary, output 5 pinion gears 29T 54 drive lugs 46 splines | 1 | 07-10 | n/a | 15153-74703 |
| B179 | Gear, ring output planetary 98T 18 drive lugs | 1 | 07-10 | n/a | 15153-75003 |
| B180 | Gear, sun input planetary 41T 32 splines (groove looks up) | 1 | 07-10 | n/a | 15153-75203 |
| B181 | Gear, ring input planetary 99T 6T70E/6T75E | 1 | 07-10 | n/a | 15153-75403 |
| B183 | Planetary, input 4 pinion gears 24T 99 drive teeth | 1 | 07-10 | n/a | 15153-75703 |
| B184 | Gear, ring reaction planetary 12 drive lugs | 1 | 07-10 | n/a | 15153-75903 |
| B185 | Planetary, reaction 3 pinion gears 32T 12 connecting lugs 3 set of 8 drive lugs | 1 | 07-10 | n/a | 15153-76303 |
| C186 | Gear, sun reaction w/shell 34T 2/6 clutch hub | 1 | 07-10 | n/a | 15153-76503 |
| C187 | Hub, 4/5/6 clutch hub 3.19" oh 24 clutch teeth 45 splines | 1 | 07-10 | n/a | 15153-76703 |
| D188 | Retainer, w/springs 4/5/6 clutch | 1 | 07-10 | n/a | 15153-76903 |
| D189 | Piston, 4/5/6 clutch (aluminum) 4/5/6 clutch | 1 | 07-10 | n/a | 15153-77103 |
| D191 | Housing, 3/5/reverse w/shaft 12.770 oh 4/5/6 clutch | 1 | 07-10 | n/a | 15153-77503 |
| D192 | Retainer, w/springs 4/5/6 clutch | 1 | 07-10 | n/a | 15153-77703 |
| D193 | Housing, 4/5/6 clutch input reluctor wheel 36T | 1 | 07-10 | n/a | 15153-77903 |
| E195 | Spring, return (diaphragm type) low/reverse clutch | 1 | 07-10 | n/a | 15153-78103 |
| E196 | Spring, retainer 2/6 clutch | 1 | 07-10 | n/a | 15153-78303 |
| E197 | Hub, housing support oil delivery sleeve | 1 | 07-10 | n/a | 15153-78503 |
| E198 | Housing, end low/reverse piston housing | 1 | 07-10 | 24236696 | 15153-78903 |
| F199 | Tube, lube 6.993" length 6T70E/6T75E | 1 | 07-10 | n/a | 15153-79003 |
| F200 | Gear, transfer driven 68T 34 splines 6T70E/6T75E | 1 | 07-10 | n/a | 15153-79103 |
| F201 | Gear, pinion w/shaft 6T70E/6T75E | 1 | 07-10 | n/a | 10153-79303 |
| F203 | Gear, park 12 lugs 34 splines | 1 | 07-10 | n/a | 15153-79603 |
| F204 | Differential assembly w/spider gears 2WD | 1 | 07-10 | n/a | 10153-80003 |
| F204 | Differential assembly w/spider gears (AWD) 4WD | 1 | 07-10 | n/a | 10153-80103 |
| F205 | Gear, ring differential 6T70E/6T75E | 1 | 07-10 | n/a | 10153-80503 |

6T70E•6T75E

6T70E•6T75E

| ILL | DESCRIPTION | QTY | YEAR | REFERENCE # | PART # | |
|-------------------------------|--|--|------|-------------|----------|-------------|
| HARD PARTS (CONTINUED) | | | | | | |
| G206 | Housing, front case half | 6T70E/6T75E | 1 | 07-10 | n/a | 10153-80703 |
| G207 | Baffle, differential | 6T70E/6T75E | 1 | 07-10 | n/a | 15153-80903 |
| G208 | Sprocket, pump driven 37T | 6T70E/6T75E | 1 | 07-10 | n/a | 15153-81003 |
| G209 | Baffle, oil | 6T70E/6T75E | 1 | 07-10 | n/a | 15153-81203 |
| G212 | Housing, main case half | 6T70E/6T75E | 1 | 07-10 | n/a | 10153-81503 |
| G215 | Pan, side (plastic) | 6T70E/6T75E | 1 | 07-10 | n/a | 15153-82403 |
| n/i | Bracket, park rod guide | 6T70E/6T75E | 1 | 07-10 | n/a | 15153-82503 |
| n/i | Spring, detent w/roller | 6T70E/6T75E | 1 | 07-10 | n/a | 15153-82603 |
| n/i | Rod, park | 6T70E/6T75E | 1 | 07-10 | n/a | 15153-82703 |
| n/i | Lever, shift | 6T70E/6T75E | 1 | 07-10 | n/a | 10153-82803 |
| n/i | Bracket, park rod | 6T70E/6T75E | 1 | 07-10 | n/a | 15153-82903 |
| n/i | Pin, park rod bracket | 6T70E/6T75E | 2 | 07-10 | n/a | 15153-83003 |
| n.i | Pawl, park | 6T70E/6T75E | 1 | 07-10 | n/a | 15153-83103 |
| n/i | Spring, park pawl | 6T70E/6T75E | 1 | 07-10 | n/a | 15153-83203 |
| n/i | Pin, park pawl | 6T70E/6T75E | 1 | 07-10 | n/a | 15153-83303 |
| n/i | Plate, upper valve body (bonded gaskets) | 6T70E/6T75E | 1 | 07-10 | n/a | 10153-83503 |
| n/i | Plate, lower valve body (bonded gaskets) | 6T70E/6T75E | 1 | 07-10 | n/a | 10153-83803 |
| ELECTRICAL COMPONENTS | | | | | | |
| E220 | Sensor, input speed | 6T70E/6T75E | 1 | 07-10 | n/a | 10153-85004 |
| G221 | Switch, MSLP (shift shaft) | 6T70E/6T75E | 1 | 07-10 | n/a | 10153-85104 |
| G222 | Sensor, output speed | 6T70E/6T75E | 1 | 07-10 | n/a | 10153-85304 |
| G224 | Solenoids, assembly | 6T70E/6T75E | 1 | 07-10 | n/a | 10153-85504 |
| SPRAGS | | | | | | |
| A230 | Sprag (pressure plate) | low/rev (also 1st/2nd/3rd/4th press plate) | 1 | 07-10 | AE | 15153-94003 |
| BONDED PISTONS | | | | | | |
| A240 | Piston, bonded rubber | 1st/2nd/3rd/4th clutch | 1 | 07-10 | n/a | 15153-96104 |
| D241 | Piston, bonded rubber | 4th/5th/6th clutch retainer | 1 | 07-10 | n/a | 15153-96404 |
| D243 | Piston, balance bonded rubber | 3rd/5th/reverse clutch | 1 | 07-10 | n/a | 15153-96604 |
| E244 | Piston, bonded rubber | low/reverse clutch | 1 | 07-10 | 24223884 | 15153-96804 |
| E245 | Piston, bonded rubber | 2nd/6th clutch | 1 | 07-10 | 24223887 | 15153-97104 |
| NOTES | | | | | | |
| | | | | | | |
| | | | | | | |
| | | | | | | |
| | | | | | | |
| | | | | | | |
| | | | | | | |
| | | | | | | |
| | | | | | | |
| | | | | | | |
| | | | | | | |
| | | | | | | |
| | | | | | | |
| | | | | | | |
| | | | | | | |
| | | | | | | |
| | | | | | | |
| | | | | | | |
| | | | | | | |
| | | | | | | |
| | | | | | | |
| | | | | | | |
| | | | | | | |
| | | | | | | |
| | | | | | | |
| | | | | | | |
| | | | | | | |
| | | | | | | |
| | | | | | | |
| | | | | | | |
| | | | | | | |
| | | | | | | |
| | | | | | | |
| | | | | | | |
| | | | | | | |
| | | | | | | |
| | | | | | | |

| MAKE | MODEL | YEAR |
|------|-------|---------|
| GM | 6L80E | 2006-On |

DESCRIPTION & NOTES...

Now Available!

6L80E

PowerPacks®

| OEI® Original Equipment Improvements | |
|--------------------------------------|--|
| Alto # | Description |
| 195756 | 4-5-6 Clutch Hi-Performance PowerPack® |
| 195757 | 3-5 Reverse Clutch Hi-Performance PowerPack® |

- Extended Durability
- Superior Coefficient of Friction
- Elevated Heat Management

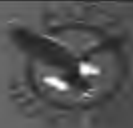


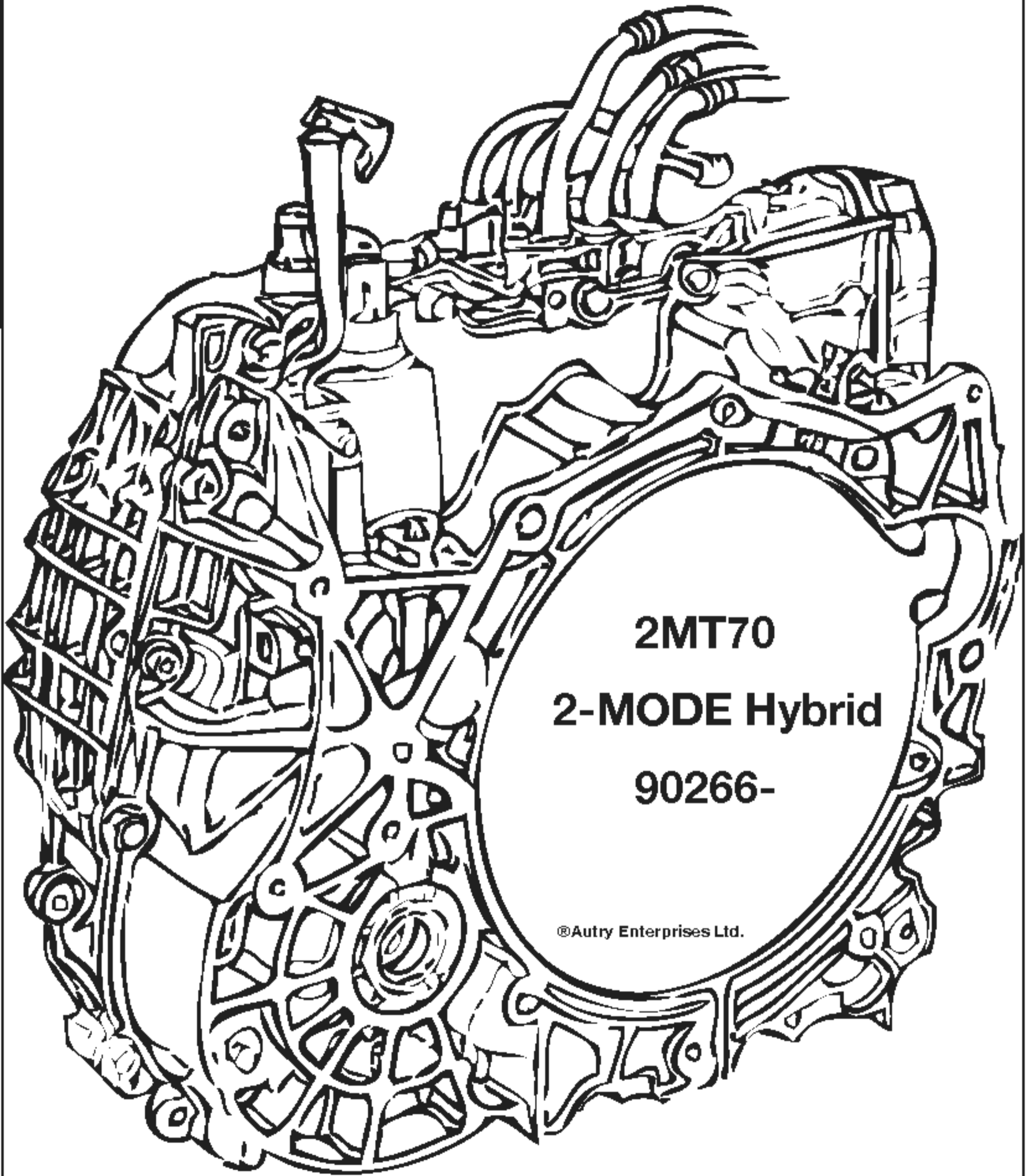
Call your A & REDS Representative for price and availability.

SHIFT ...YOUR THINKING

Clutches and Gears for Automatic Transmissions

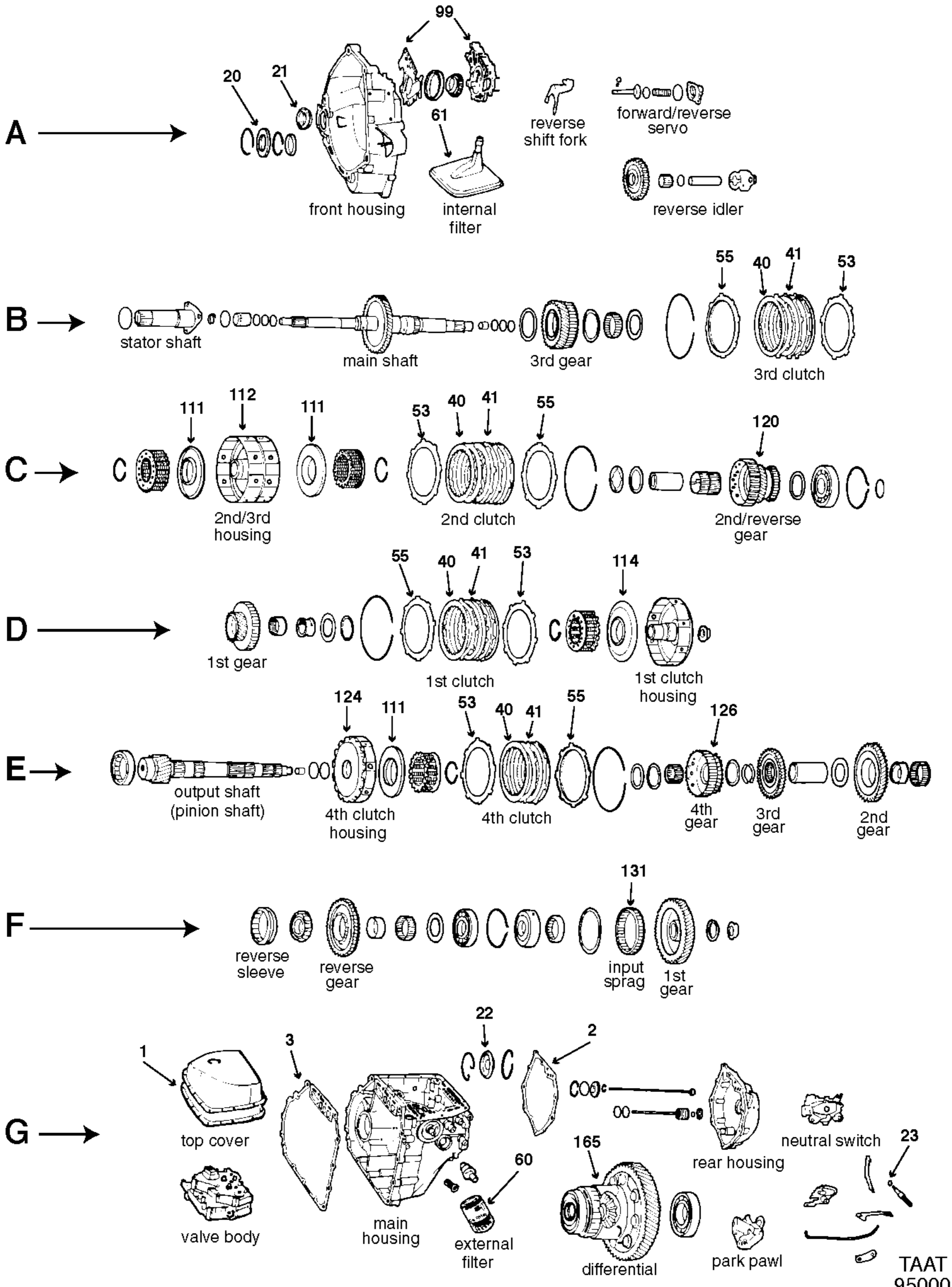
10007023





| ILL | DESCRIPTION | | | QTY | YEAR | REFERENCE # | PART # |
|-----------------------|------------------------------|---------------------|---|-------|------|-------------|--------|
| REBUILDER KITS | | | | | | | |
| K5 | Master kit w/steels | 2MT70 2 Mode Hybrid | 1 | 09-10 | AE | 90266-11104 | |
| K6 | Master kit w/o steels | 2MT70 2 Mode Hybrid | 1 | 09-10 | AE | 90266-12104 | |
| K7 | O/H gasket set w/seals-rings | 2MT70 2 Mode Hybrid | 1 | 09-10 | AE | 90266-13104 | |
| NOTES | | | | | | | |
| | | | | | | | |
| | | | | | | | |
| | | | | | | | |
| | | | | | | | |
| | | | | | | | |
| | | | | | | | |
| | | | | | | | |
| | | | | | | | |
| | | | | | | | |
| | | | | | | | |
| | | | | | | | |
| | | | | | | | |
| | | | | | | | |
| | | | | | | | |
| | | | | | | | |
| | | | | | | | |
| | | | | | | | |
| | | | | | | | |
| | | | | | | | |
| | | | | | | | |
| | | | | | | | |
| | | | | | | | |
| | | | | | | | |
| | | | | | | | |
| | | | | | | | |
| | | | | | | | |
| | | | | | | | |
| | | | | | | | |
| | | | | | | | |
| | | | | | | | |
| | | | | | | | |
| | | | | | | | |
| | | | | | | | |
| | | | | | | | |
| | | | | | | | |
| | | | | | | | |
| | | | | | | | |
| | | | | | | | |
| | | | | | | | |
| | | | | | | | |
| | | | | | | | |
| | | | | | | | |
| | | | | | | | |
| | | | | | | | |
| | | | | | | | |
| | | | | | | | |
| | | | | | | | |
| | | | | | | | |
| | | | | | | | |
| | | | | | | | |

2MT70•2-MODE



TAAT 95000

| ILL | DESCRIPTION | | QTY | YEAR | REFERENCE # | PART # |
|--------------------------------------|-----------------------------------|---|-----|-------|-------------|---------|
| TECHNICAL MANUALS | | | | | | |
| K53 | Tech manual TAAT dis/assembly | diagnosis/troubleshooting | 1 | 91-02 | TAAT | 010-463 |
| REBUILDER KITS | | | | | | |
| K5 | Master kit w/steels | TAAT | 1 | 91-02 | AE | K9500 |
| K7 | O/H gasket set w/seals-rings | w/pistons | 1 | 91-02 | AE | K95900 |
| K7 | O/H gasket set w/seals-rings | w/o pistons | 1 | 91-02 | AE | K95900A |
| GASKETS AND RUBBER COMPONENTS | | | | | | |
| G1 | Gasket | top cover (valve body cover) | 1 | 91-96 | 21001683 | 13017X |
| G1 | Gasket (molded rubber) | top cover (valve body cover) | 1 | 97-02 | 21003202 | 13017R |
| G2 | Gasket | main housing to rear housing | 1 | 91-02 | 21001684 | 13019 |
| G3 | Gasket | front housing to main housing | 1 | 91-02 | 21002265 | 13020 |
| n/i | Gasket, valve body | upper and lower | 2 | 91-92 | 21002527 | 13872 |
| n/i | Gasket, valve body | upper and lower | 2 | 92-96 | 21002390 | 13873 |
| n/i | Gasket, valve body | upper and lower | 2 | 97-02 | 21003530 | 13874 |
| n/i | O'ring | converter hub | 1 | 91-02 | 21001665 | 23040 |
| n/i | O'ring | filler tube | 1 | 91-02 | 21002508 | 3290L |
| n/i | O'ring | turbine shaft | 1 | 91-02 | 21001996 | 23019 |
| n/i | O'ring | pump to case | 1 | 91-02 | 21002502 | 23016 |
| n/i | Seal | solenoid connector to valve body cover | 1 | 91-02 | | 23466 |
| METAL CLAD SEALS | | | | | | |
| A20 | Seal, metal clad | pump | 1 | 91-02 | 21002741 | 95151 |
| A21 | Seal, metal clad | right axle (converter side) | 1 | 91-02 | 21002669 | 95152 |
| G22 | Seal, metal clad | left axle (case side) | 1 | 91-02 | 21002670 | 95153 |
| G23 | Seal, metal clad | manual lever shaft | 1 | 91-93 | 21002778 | 95154 |
| G23 | Seal, metal clad | manual lever shaft | 1 | 94-02 | 21002853 | 95156 |
| n/i | Seal, metal clad | output shaft | 1 | 91-02 | 21001662 | 95155 |
| SEALING RINGS | | | | | | |
| K10 | Kit, sealing ring - complete | TAAT | 1 | 91-02 | AE | K95903 |
| CLUTCH PLATES | | | | | | |
| B40 | Friction .061" 4.486" od 36T | 3rd clutch (1 sided internal teeth) | 4 | 91-02 | 21002870 | 95103 |
| B41 | Friction .061" 3.490" id 8T | 3rd clutch (1 sided external teeth) | 3 | 91-02 | 21002871 | 95100 |
| C40 | Friction .061" 4.486" od 36T | 2nd clutch (1 sided internal teeth) | 5 | 91-02 | 21002870 | 95103 |
| C41 | Friction .061" 3.490" id 8T | 2nd clutch (1 sided external teeth) | 4 | 91-02 | 21002871 | 95100 |
| D40 | Friction .061" 4.486" od 36T | 1st clutch (1 sided internal teeth) | 3 | 91-02 | 21002870 | 95103 |
| D41 | Friction .061" 3.490" id 8T | 1st clutch (1 sided external teeth) | 2 | 91-02 | 21002871 | 95100 |
| E40 | Friction .061" 4.486" od 36T | 4th clutch (1 sided internal teeth) | 3 | 91-02 | 21002870 | 95103 |
| E41 | Friction .061" 3.490" id 8T | 4th clutch (1 sided external teeth) | 2 | 91-02 | 21002871 | 95100 |
| n/i | Plate, cushion | 1st/4th clutch | ar | 91-02 | AE | 95105-R |
| PRESSURE PLATES | | | | | | |
| B53 | Pressure plate .130" 3.490" id 8T | 3rd clutch apply (1 sided external teeth) | 1 | 91-02 | 21002567 | 95714 |
| B55 | Pressure plate | 3rd clutch (stepped backing) | 1 | 91-02 | 21001597 | 95715-R |
| C53 | Pressure plate .130" 3.490" id 8T | 2nd clutch apply (1 sided external teeth) | 1 | 91-02 | 21003173 | 95714 |
| C55 | Pressure plate | 2nd clutch (stepped backing) | 1 | 91-02 | 21001597 | 95715-R |
| D53 | Pressure plate .130" 3.490" id 8T | 1st clutch apply (1 sided external teeth) | 1 | 91-02 | 21002581 | 95714 |
| D55 | Pressure plate | 1st clutch (stepped backing) | 1 | 91-02 | 21001597 | 95715-R |
| E53 | Pressure plate .130" 3.490" id 8T | 4th clutch apply (1 sided external teeth) | 1 | 91-02 | 21002567 | 95714 |
| E55 | Pressure plate | 4th clutch (stepped backing) | 1 | 91-02 | 21001597 | 95715-R |
| FILTERS | | | | | | |
| G60 | Filter, spin on | external | 1 | 91-02 | 21002303 | 95711 |
| A61 | Filter, internal | disassembly required | 1 | 91-02 | 21002346 | 95710 |
| n/i | Screen, solenoid - large | TAAT | 1 | 91-02 | 21002096 | 95713 |
| n/i | Screen, solenoid - small | TAAT | 1 | 91-02 | 21002151 | 95712 |
| | | | | | | |
| | | | | | | |

TAAT

Your Most Valuable Tool to Fix TRANSMISSIONS

ATSG



Thousands of transmission shops and general repair facilities worldwide count on the experienced staff and resources at ATSG to help them get the job done right and on time. All of ATSG's certified technicians have years of hands-on experience and are available to answer your tech problems on both foreign and domestic automatic transmissions.

In addition to our Technical Hotline, ATSG offers the latest Books, Software, Bulletins, Seminars and Technical Courses to the Automatic Transmission Professional.

So, stop turning away transmission repair work! ATSG is here to help you solve all your automatic transmission repair problems.

Call us today at (800) 245-7722

or visit us online at
www.atsg.biz

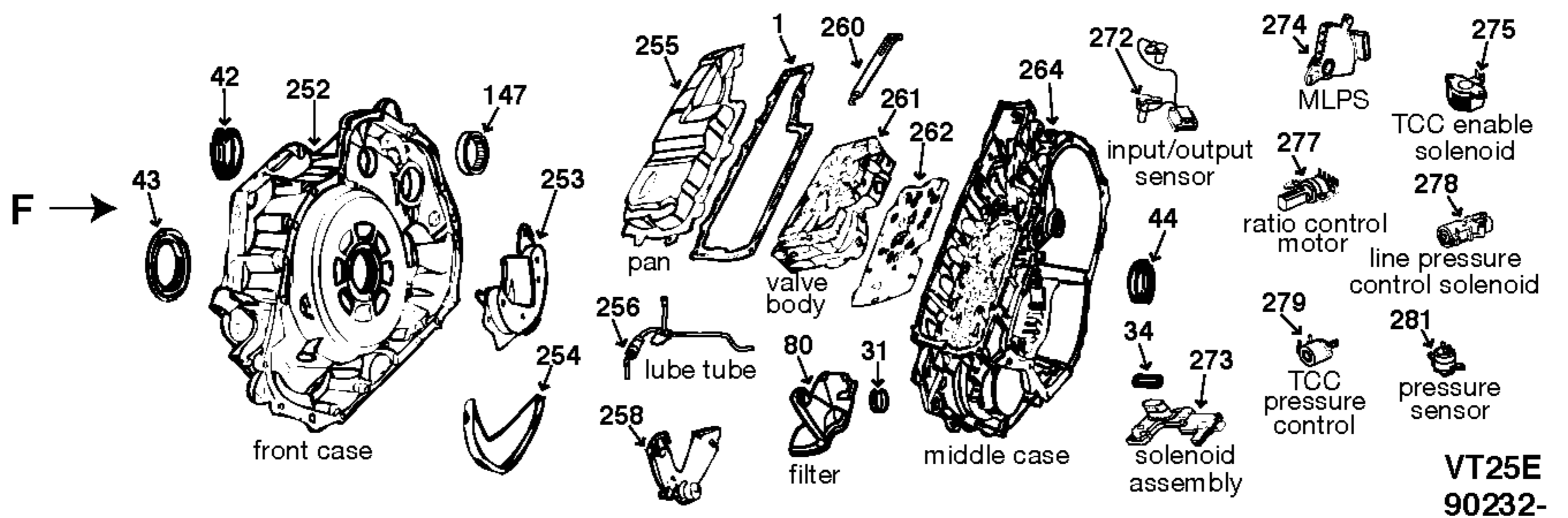
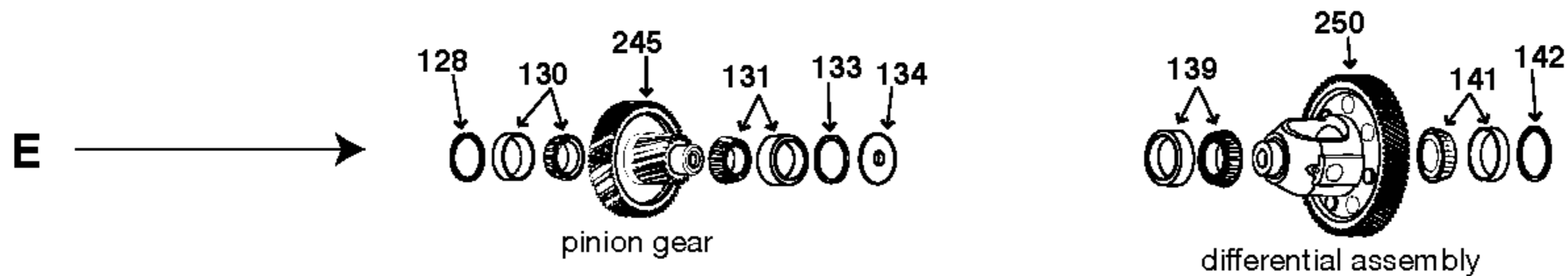
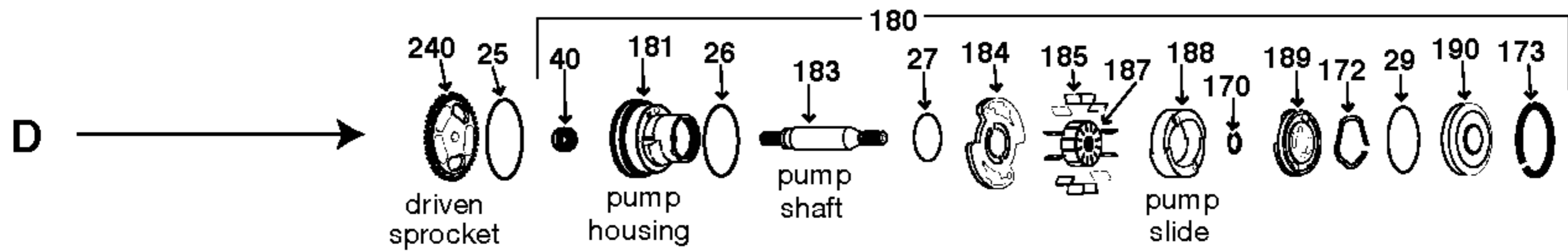
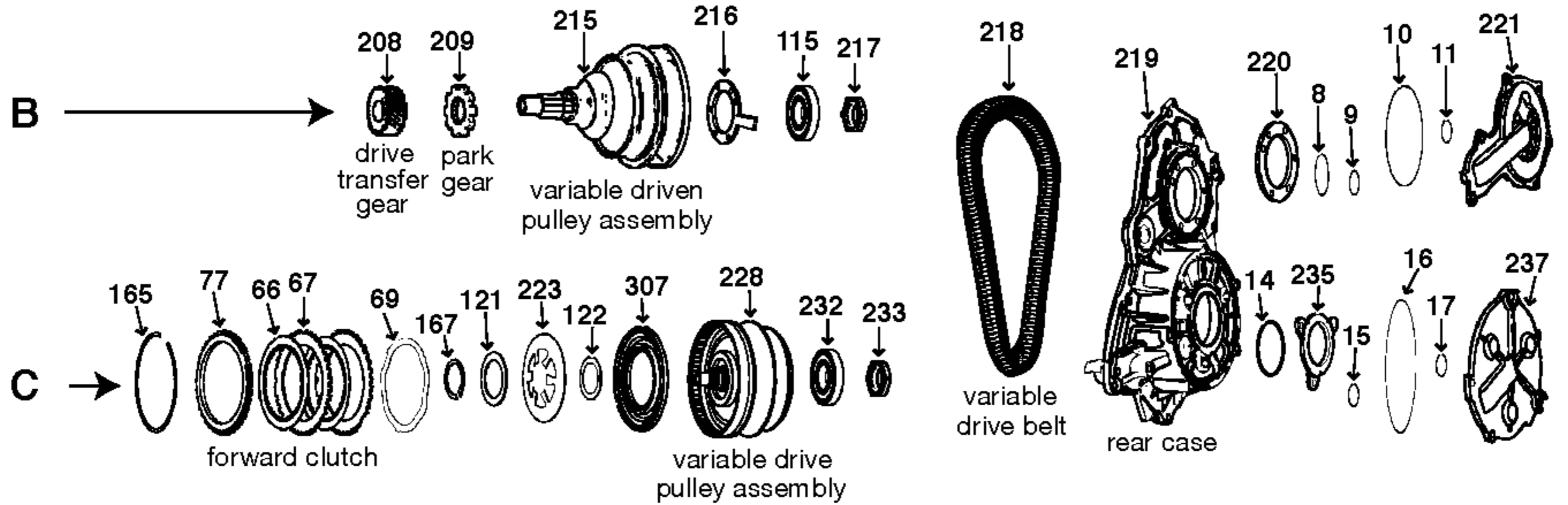
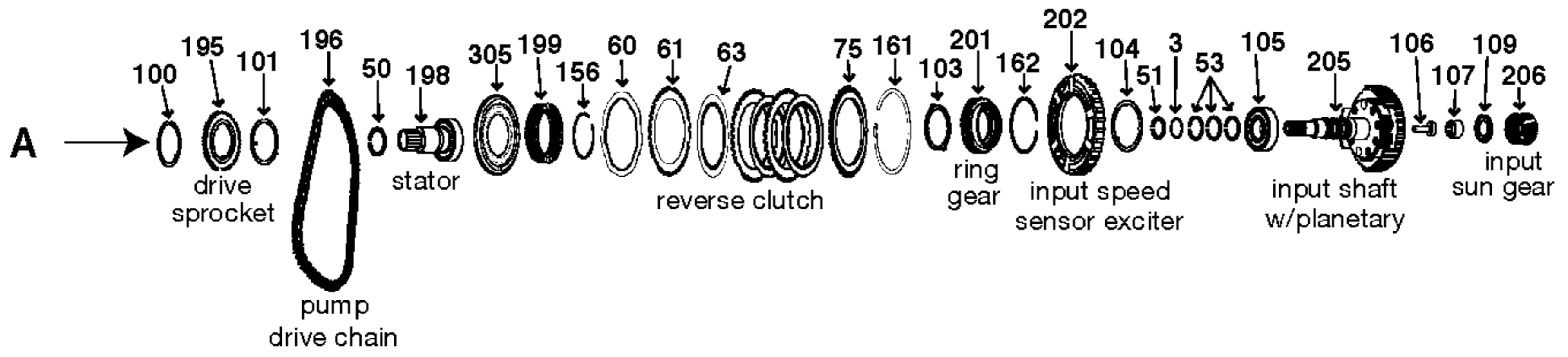
Try our pay per call option.

Become a Member Today & Take Advantage of...

- Our huge library which exceeds any single shop's library.
- Our "Superior Technical Hotline" which outranks the rest.
- 10 knowledgeable technicians which are there to assist you with any problems.
- The savings we provide by solving your transmission problems. One answered question can surpass the value of your subscription fee.



Expert Help is Just a Phone Call Away.



VT25E
90232-

| ILL | DESCRIPTION | | QTY | YEAR | REFERENCE # | PART # |
|--------------------------------------|---|---------------------------|-----|-------|--------------|-------------|
| TECHNICAL MANUALS | | | | | | |
| K53 | Tech manual VT25-E dis/assembly | diagnosis/troubleshooting | 1 | 02-05 | n/a | 010-331 |
| REBUILDER KITS | | | | | | |
| K5 | Master kit w/steels | w/pistons | 1 | 02-05 | KP9500A | 90232-11004 |
| K5 | Master kit w/steels | w/o pistons | 1 | 02-05 | KP9500AX | 90232-11104 |
| K6 | Master kit w/o steels | w/pistons | 1 | 02-05 | KP9500A-W/O | 90232-12004 |
| K6 | Master kit w/o steels | w/o pistons | 1 | 02-05 | KP9500AX-W/O | 90232-12104 |
| K7 | O/H gasket set w/seals-rings | w/pistons | 1 | 02-05 | KP95900A | 90232-13004 |
| K7 | O/H gasket set w/seals-rings | w/o pistons | 1 | 02-05 | KP95900AX | 90232-13104 |
| GASKETS AND RUBBER COMPONENTS | | | | | | |
| F1 | Gasket, pan (valve body cover) | molded rubber | 1 | 02-05 | 24220201 | 90232-20004 |
| METAL CLAD SEALS | | | | | | |
| F42 | Seal, metal clad | front | 1 | 02-05 | 24211127 | 90232-30004 |
| F43 | Seal, metal clad | right axle | 1 | 02-05 | 24211013 | 90232-30005 |
| F44 | Seal, metal clad | left axle | 1 | 02-05 | 24211013 | 90232-30005 |
| n/i | Seal, metal clad | output transfer unit | 1 | 02-05 | 24235475 | 90232-30006 |
| SEALING RINGS | | | | | | |
| K10 | Kit, sealing ring | sealing rings | 1 | 02-05 | K95901A | 90232-31504 |
| CLUTCH PLATES | | | | | | |
| A60 | Steel, waved | reverse clutch | 1 | 02-05 | n/a | 90232-40803 |
| A61 | Friction .059" 5.055" od 32T (external T) | reverse clutch (1 sided) | 3 | 02-05 | 24214073 | 90232-35403 |
| A63 | Friction .059" 6.140" od 36T (internal T) | reverse clutch (1 sided) | 3 | 02-05 | 24214072 | 90232-35304 |
| C66 | Friction .059" 6.142" od 36T (internal T) | forward clutch (1 sided) | 3 | 02-05 | 24214069 | 90232-35104 |
| C67 | Friction .059" 5.055" od 36T (external T) | forward clutch (1 sided) | 3 | 02-05 | 24214070 | 90232-35204 |
| C69 | Steel, waved | forward clutch | 1 | 02-05 | n/a | 90232-40703 |
| PRESSURE PLATES | | | | | | |
| A75 | Pressure plate | reverse clutch | 1 | 02-05 | AE | 90232-41403 |
| C77 | Pressure plate | input (forward) clutch | 1 | 02-05 | AE | 90232-41103 |
| FILTERS | | | | | | |
| F80 | Filter | VT25-E | 1 | 02-05 | 24226576 | 90232-45004 |
| PUMP PARTS AND PUMPS | | | | | | |
| D180 | Pump, assembly | pump | 1 | 02-05 | AE | 90232-67003 |
| HARD PARTS | | | | | | |
| A195 | Sprocket, pump drive | VT25-E/VTi | 1 | 02-05 | AE | 90232-77103 |
| A196 | Chain, pump drive | VT25-E/VTi | 1 | 02-05 | AE | 90232-77003 |
| A199 | Spring, return | reverse clutch | 1 | 02-05 | AE | 90232-78903 |
| B215 | Pully, driven assembly | variable | 1 | 02-05 | AE | 90232-75003 |
| B218 | Belt, variable drive | VT25-E/VTi | 1 | 02-05 | AE | 90232-75203 |
| C223 | Spring, diaphragm type | forward clutch | 1 | 02-05 | AE | 90232-74503 |
| C228 | Pully, drive assembly | variable | 1 | 02-05 | AE | 90232-76503 |
| D240 | Sprocket, pump driven | VT25-E/VTi | 1 | 02-05 | AE | 90232-77403 |
| E250 | Differential assembly | carrier | 1 | 02-05 | AE | 90232-83003 |
| | | | | | | |
| | | | | | | |
| | | | | | | |
| | | | | | | |
| | | | | | | |
| | | | | | | |
| | | | | | | |
| | | | | | | |
| | | | | | | |

VT25-E



*Add Some Muscle
to Your
Rebuilds ...*

**Muscle MT-10...
"The Original" Metal Treatment™**

- ✓ Lowers Operating Temperatures
- ✓ Frees Valve Body for Optimum Performance
- ✓ Eliminates Governor Hang-Ups Caused by Contamination & Surface Spiking
- ✓ Keeps Oil Passages, Orifices & Ball Checks Clean & Fully Operational
- ✓ Extends the life of the Transmission by Eliminating Premature Failure with Improved Lubrication
- ✓ Reduces Metal Particle Fallout & Debris Caused by Friction & Wear
- ✓ Removes Varnish Buildup
- ✓ Nearly Eliminates Lock-Up Chatter in the Torque Converter
- ✓ Insures Proper Shifts

**Muscle Products Corp.
"The Strength in Lubrication"®**

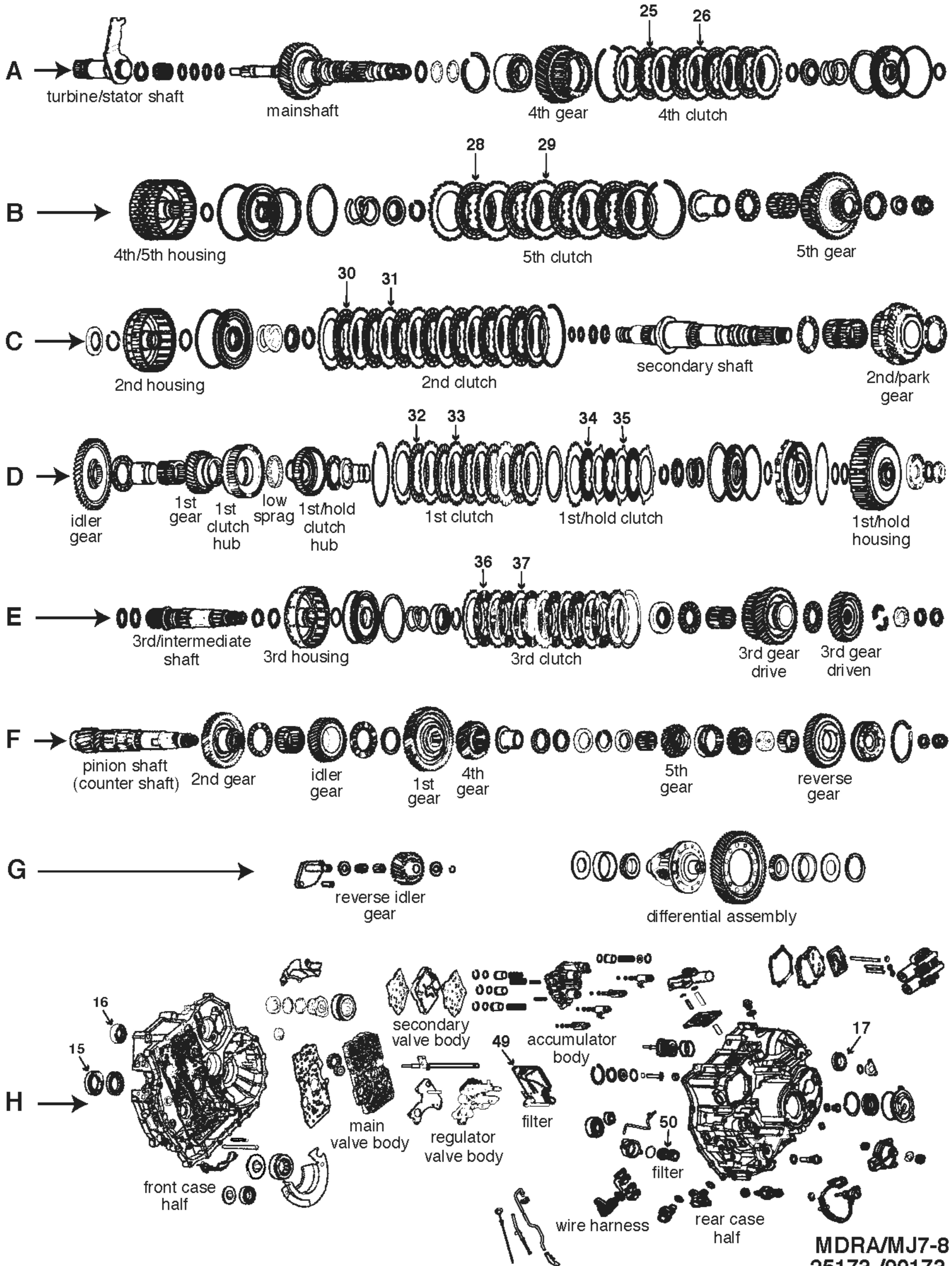
752 Kilgore Road
Jackson Center, PA 16133 U.S.A.
Phone: 800-227-7049
814-786-0166
Fax: 814-786-7321
Web Site: www.mpclubricants.com
Email: sales@mpclubricants.com



**Serving
transmission
specialists
since 1986**



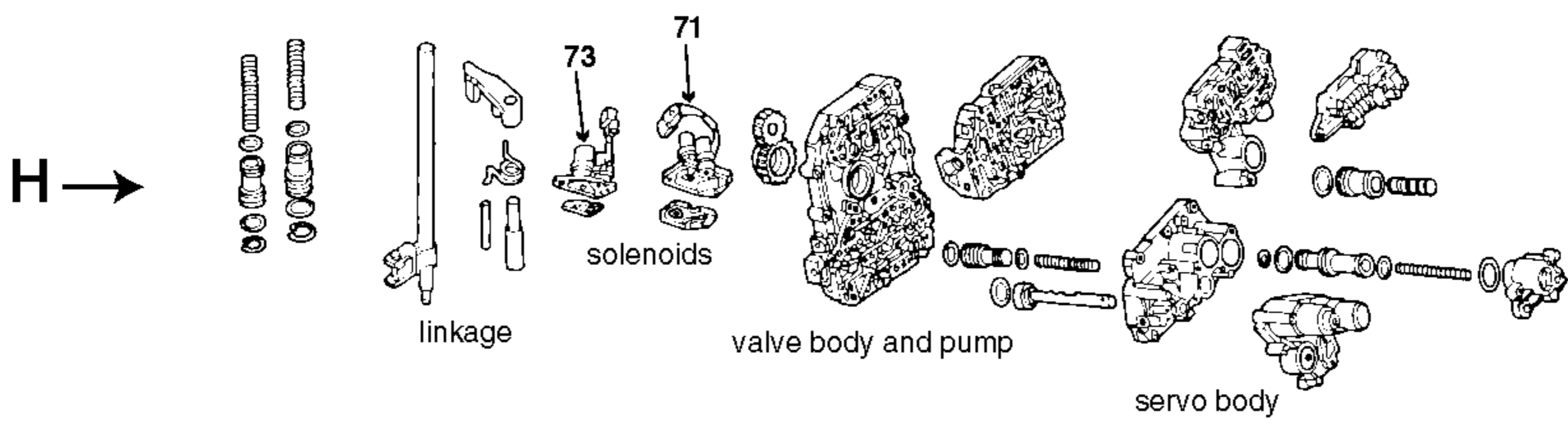
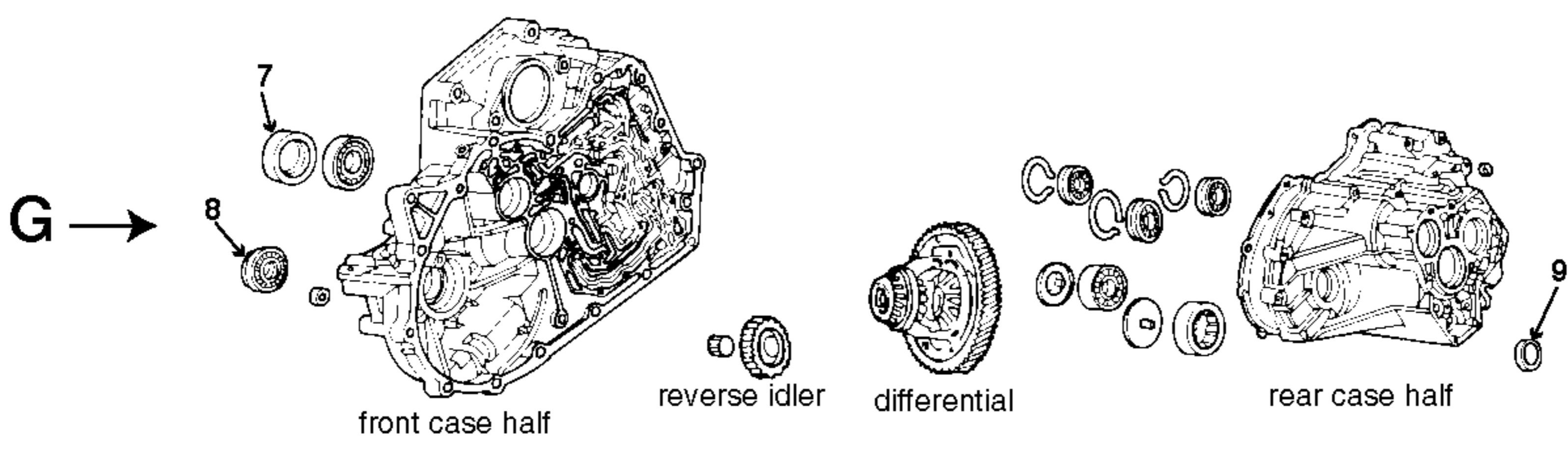
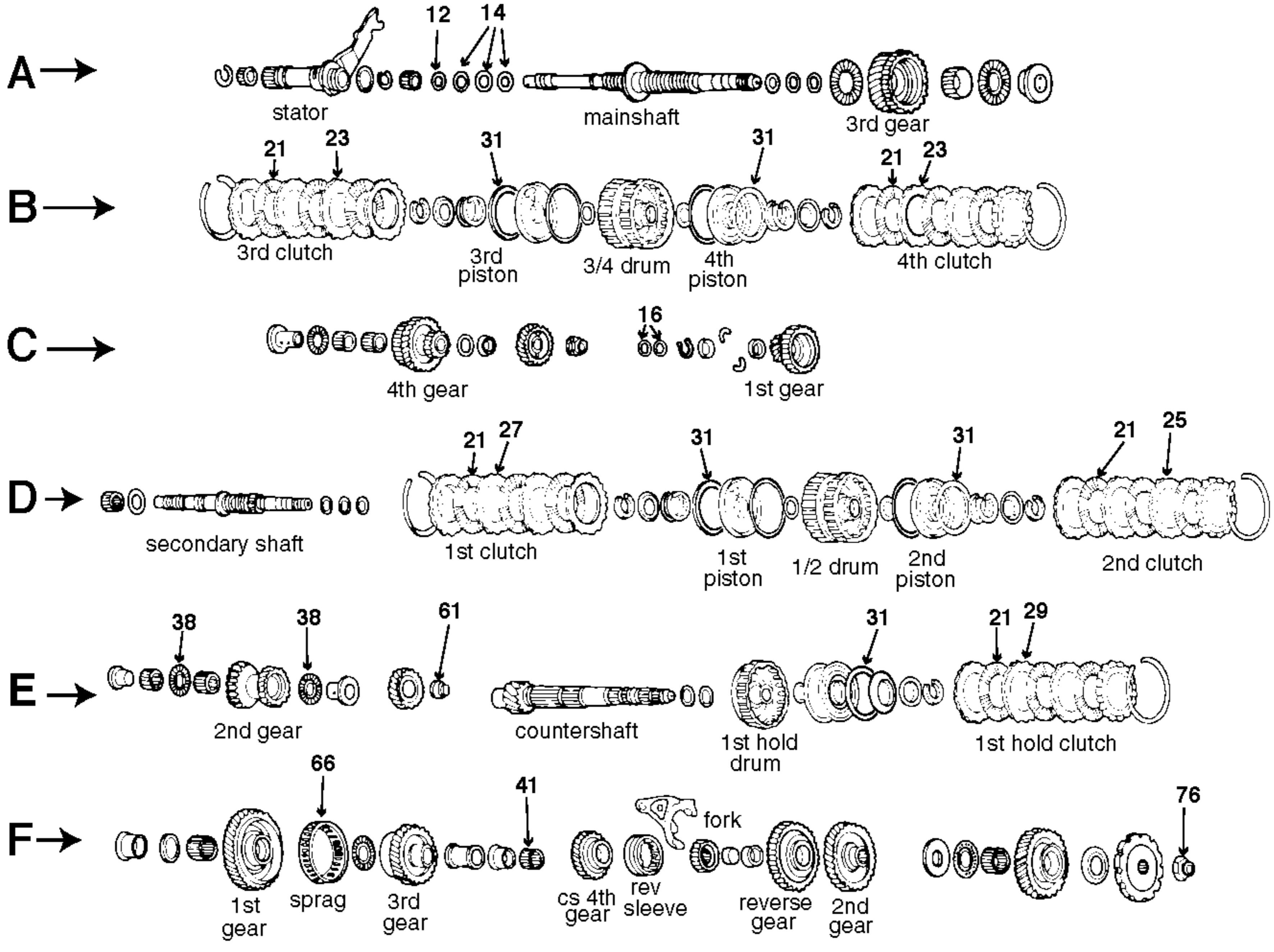
*...The Key to
Reducing Costly
Come Backs*



MDRA/MJ7-8
25173-/90173-

| ILL | DESCRIPTION | | QTY | YEAR | REFERENCE # | PART # |
|-------------------------|--------------------------------------|------------------|-----|-------|---------------|-------------|
| REBUILDER KITS | | | | | | |
| K5 | Master kit w/steels | MDRA | 1 | 04-07 | 172901 | 25166-11104 |
| K6 | Master kit w/o steels | MDRA | 1 | 04-07 | 172901-LS | 25165-12104 |
| K7 | O/H gasket set w/seals-rings | MDRA | 1 | 04-07 | 2438 | 25166-13104 |
| METAL CLAD SEALS | | | | | | |
| H15 | Seal, metal clad 46x70x8mm | front | 1 | 04-07 | B29604 | 50201B |
| H16 | Seal, metal clad 35x54x8mm | right axle | 1 | 04-07 | 91207-P7Z-003 | 50228 |
| H17 | Seal, metal clad 40x56x9mm | left axle | 1 | 04-07 | 91205-P0X-005 | 50210 |
| CLUTCH PLATES | | | | | | |
| A25 | Friction .076" 5.120" od 44T | 4th clutch | 4 | 04-07 | 22645-RDK-003 | 25166-35204 |
| A26 | Steel .079" 3.680" id 24T | 4th clutch | 4 | 04-07 | 172709-200 | 25166-37704 |
| B28 | Friction .076" 5.120" od 44T | 5th clutch | 4 | 04-07 | 22645-RDK-003 | 25166-35204 |
| B29 | Steel .079" 3.680" id 24T | 5th clutch | 4 | 04-07 | 172709-200 | 25166-37704 |
| C30 | Friction .076" 4.700" od 28T | 2nd clutch | 7 | 04-07 | 22545-RDX-013 | 25166-35104 |
| C31 | Steel .071" 3.390" id 24T | 2nd clutch | 7 | 04-07 | 146701-160 | 25166-37504 |
| D32 | Friction .076" 5.190" od 49T | 1st clutch (low) | 5 | 04-07 | 22544-PW-003 | 50141 |
| D33 | Steel .063" 4.070" id 24T | 1st clutch (low) | 5 | 04-07 | 146701-160 | 25171-37504 |
| D34 | Friction .076" 4.728" od 44T | low/hold clutch | 3 | 04-07 | 22544-PX7-701 | 50105 |
| D35 | Steel .071" 3.677" id 6T | low/hold clutch | 3 | 04-07 | 146703-180 | 25171-37704 |
| E36 | Friction .076" 5.300" od 42T | 3rd clutch | 5 | 04-07 | 22544-RDK-003 | 25166-35404 |
| E37 | Steel .079" 3.464" id 20T | 3rd clutch | 4 | 04-07 | 172707-200 | 25166-37604 |
| FILTERS | | | | | | |
| H49 | Filter, oil screen | MDRA | 1 | 04-07 | 25420-RDK-013 | 25166-45004 |
| H50 | Filter, cooler line (cartridge type) | | 1 | 04-07 | 25450-P4V-013 | 50711 |
| NOTES | | | | | | |
| | | | | | | |
| | | | | | | |
| | | | | | | |
| | | | | | | |
| | | | | | | |
| | | | | | | |
| | | | | | | |
| | | | | | | |
| | | | | | | |
| | | | | | | |
| | | | | | | |
| | | | | | | |
| | | | | | | |
| | | | | | | |
| | | | | | | |
| | | | | | | |
| | | | | | | |
| | | | | | | |
| | | | | | | |
| | | | | | | |
| | | | | | | |
| | | | | | | |
| | | | | | | |
| | | | | | | |
| | | | | | | |
| | | | | | | |
| | | | | | | |
| | | | | | | |
| | | | | | | |
| | | | | | | |
| | | | | | | |
| | | | | | | |
| | | | | | | |

APXA•APX4•MPXA•MPWA•MPOA•AOYA•BOYA•BAXA•MAXA•MP1A•M6HA•MPJA•MDWA•PX4B



PX4B/MPXA/AOYA/APXA/APX4/MPOA/BOYA/MAXA/BAXA/MPJA/MDWAMP1A
50000N/R

| ILL | DESCRIPTION | | QTY | YEAR | REFERENCE # | PART # |
|--------------------------|---------------------------------------|---------------------------------------|-----|-------|-----------------|-----------|
| TECHNICAL MANUALS | | | | | | |
| K53 | Tech manual PX4B 3-shaft dis/assembly | diagnosis/troubleshooting | 1 | 90-92 | 83-HDA3SFTTM | 010-454 |
| K53 | Tech manual M6HA/BAXA dis/assembly | diagnosis/troubleshooting | 1 | 97-02 | 83-M6HA/BAXA-TM | 010-458 |
| REBUILDER KITS | | | | | | |
| K5 | Master kit w/steels | APXA-BOYA | 1 | 90-97 | AE | K5000N |
| K5 | Master kit w/steels | BAXA/MAXA/M6HA/MDWA | 1 | 97-02 | AE | K5000R |
| K6 | Master kit w/o steels | APXA-BOYA | 1 | 90-97 | AE | K5000N-LS |
| K6 | Master kit w/o steels | BAXA/MAXA/M6HA/MDWA | 1 | 97-02 | AE | K5000R-LS |
| K7 | O/H gasket set w/seals-rings | APXA-BOYA | 1 | 90-97 | AE | K50900N |
| K7 | O/H gasket set w/seals-rings | BAXA/MAXA/M6HA/MDWA | 1 | 97-02 | AE | K50900R |
| METAL CLAD SEALS | | | | | | |
| G7 | Seal, metal clad 35x68x5mm | converter housing front seal | 1 | 90-02 | 91207-POX-003 | 50201 |
| G8 | Seal, metal clad 40x56x9mm | axle bell housing | 1 | 90-02 | 91206-PG2-005 | 50210 |
| G8 | Seal, metal clad 35x56x8mm | M6HA/MPJA/MDWA (axle bell housing) | 1 | 95-98 | 91205-PX5-005 | 50211 |
| G9 | Seal, metal clad 40x66x8mm | all axle case | 1 | 90-02 | 91206-PK4-003 | 50215 |
| n/i | Seal, metal clad 12x22x7mm | manual lever seal | 1 | 90-02 | 91209-612-003 | 46202 |
| n/i | Seal, metal clad 9x18x7mm | throttle valve shaft | 1 | 90-02 | 91201-PA9-005 | 50204 |
| SEALING RINGS | | | | | | |
| K10 | Kit, sealing ring-metal | all | 1 | 90-97 | AE | K50300E |
| K10 | Kit, sealing ring-teflon | all | 1 | 97-02 | AE | K50300J |
| A12 | Ring, sealing-small-metal 29mm | mainshaft (all except below) | 1 | 90-97 | 22814-PK4-003 | 50300E |
| A12 | Ring, sealing-large-teflon 32mm | M6HA/MDWA (mainshaft) | 1 | 97-01 | 22814-POX-003 | 50310 |
| A12 | Ring, sealing-small-teflon 29mm | BAXA/MAXA (mainshaft) | 1 | 97-02 | 22815-PAX-005 | 50306 |
| A14 | Ring, sealing-large-metal 35mm | all mainshaft | 3 | 90-96 | 22814-PF4-003 | 50300D |
| A14 | Ring, sealing-large-teflon 35mm | MPOA/AOYA/MPJA (mainshaft) | 3 | 97-97 | 22814-P4P-003 | 50307 |
| A14 | Ring, sealing-large-teflon 32mm | all mainshaft | 3 | 97-02 | 22814-POX-003 | 50310 |
| C16 | Ring, sealing large-metal 32mm | all secondary shaft | 2 | 90-96 | 22814-PA9-023 | 50300C |
| C16 | Ring, sealing-large-teflon 32mm | MPOA/AOYA/MPJA (secondary shaft) | 2 | 97-97 | 22814-POX-003 | 50310 |
| C16 | Ring, sealing-plastic 35mm | all secondary shaft | 2 | 97-02 | 22816-P6H-003 | 50312 |
| CLUTCH PLATES | | | | | | |
| B21 | Friction .076" 4.728" od 44T | APXA-BOYA (3rd clutch) | 4 | 90-97 | 22544-PX4-013 | 50105 |
| B21 | Friction .076" 4.728" od 44T | BAXA/MAXA/M6HA/MDWA (3rd clutch) | 4 | 97-02 | 22544-PX4-013 | 50105 |
| B22 | Steel .091" 3.664" id 24T | APXA-BOYA (3rd clutch) | 4 | 90-97 | 22653-PX4-003 | 50114 |
| B22 | Steel .102" 3.664" id 24T | BAXA/MAXA/M6HA/MDWA (3rd clutch) | 4 | 97-02 | 22644-PX4-013 | 50112 |
| B23 | Friction .076" 4.728" od 44T | APXA-BOYA (4th clutch) | 3 | 90-97 | 22544-PX4-013 | 50105 |
| B23 | Friction .076" 4.728" od 44T | BAXA/MAXA/M6HA/MDWA (4th clutch) | 4 | 97-02 | 22544-PX4-013 | 50105 |
| B24 | Steel .091" 3.664" id 24T | APXA-BOYA (4th clutch) | 3 | 90-97 | 22653-PX4-003 | 50114 |
| B24 | Steel .091" 3.664" id 24T | BAXA/MAXA/M6HA/MDWA (4th clutch) | 4 | 97-02 | 22653-PX4-003 | 50114 |
| D25 | Friction .076" 4.728" od 44T | APXA-BOYA (1st clutch) | 3 | 90-97 | 22544-PX4-013 | 50105 |
| D25 | Friction .075" 4.570" od 44T | BAXA/MAXA/M6HA/MDWA (1st clutch) | 6 | 97-02 | 22545-P6H-003 | 50139 |
| D26 | Steel .079" 3.664" id 24T | APXA-BOYA (1st clutch) | 3 | 90-97 | 22543-PX4-003 | 50110 |
| D26 | Steel .079" 3.585" id 24T | BAXA/MAXA/M6HA/MDWA (1st clutch) | 6 | 97-02 | 22523-P6H-003 | 50144 |
| D27 | Friction .076" 4.728" od 44T | APXA-BOYA (2nd clutch) | 4 | 90-97 | 22544-PX4-013 | 50105 |
| D27 | Friction .075" 4.570" od 44T | BAXA/MAXA/M6HA/MDWA (2nd clutch) | 6 | 97-02 | 22545-P6H-003 | 50139 |
| D28 | Steel .102" 3.664" id 24T | Exc Prelude W/H23 engine (2nd clutch) | 4 | 90-96 | 22644-PX4-013 | 50112 |
| D28 | Steel .063" 3.585" id 24T | M6HA (2nd clutch) | 6 | 97-02 | 22543-P6H-003 | 50142 |
| D28 | Steel .063" 3.664" id 24T | BAXA/MAXA/MDWA (2nd clutch) | 6 | 97-02 | 22543-P6H-901 | 50142A |
| E21 | Friction .076" 4.728" od 44T | 1st hold clutch | 3 | 97-02 | 22544-PX4-013 | 50105 |
| E29 | Steel .079" 3.664" id 24T | 1st hold clutch | 3 | 90-94 | 22543-PX4-003 | 50110 |
| E29 | Steel .063" 3.664" id 24T | 1st hold clutch | 4 | 95-97 | 22543-POX-003 | 50140 |
| n/i | Steel .070" 3.664" id 24T us) | all | ar | 90-97 | 078701A | 50110U |
| n/i | Steel .083" id 24T (os) | all | ar | 90-97 | 078701-210 | 50110X |
| n/i | Wave spring 1st/2nd/3rd/4th/low hold | replaces Belleville spring w/120 mm | 1/4 | 90-96 | 058701A | 50152 |

APXA•APX4•MPXA•MPWA•MPOA•AOYA•BOYA•BAXA•MAXA•MP1A•M6HA•MPJA•MDWA•PX4B

APXA•APX4•MPXA•MPWA•MPOA•AOYA•BOYA•BAXA•MAXA•MP1A•M6HA•MPJA•MDWA•PX4B

| ILL | DESCRIPTION | | QTY | YEAR | REFERENCE # | PART # |
|-------------------------------------|---|--|-----|-------|---------------|---------|
| FILTERS | | | | | | |
| n/i | Filter, oil screen (disassembly required) | Accord (PX4B,APXA,APX4) | 1 | 90-91 | 25420-PX4-023 | 50800N |
| n/i | Filter, oil screen (disassembly required) | APX4/MPXA/MPWA/MPOA/AOYA/MP1A/MPJA | 1 | 92-97 | 25420-PX4-701 | 50800Q |
| n/i | Filter, oil screen (disassembly required) | BAXA/MAXA/M6HA/MDWA | 1 | 97-02 | 25420-P6H-000 | 50800L |
| BUSHINGS | | | | | | |
| K13 | Kit, bushing | counter and mainshaft | 1 | 90-96 | AE | K50901B |
| K13 | Kit, bushing | BAXA/MAXA/M6HA (counter and mainshaft) | 1 | 97-02 | AE | K50901C |
| WASHERS/BEARINGS/RACES/SHIMS | | | | | | |
| E38 | Bearing, thrust 56x36x2.5mm | Accord secondary shaft to 2nd gear | 2 | 90-91 | 91023-PG4-013 | 50501A |
| F41 | Bearing, caged 38x32x24mm | MPWA/XA/1A/JA (countershaft 4th gear) | 1 | 92-96 | 91028-PF4-A01 | 50502 |
| HARD PARTS | | | | | | |
| E61 | Nut | secondary shaft | 1 | 92-97 | 90203-PX4-010 | 50338 |
| F76 | Nut | countershaft | 1 | 90-97 | 90203-PX4-010 | 50338 |
| ELECTRICAL COMPONENTS | | | | | | |
| H71 | Solenoid, shift | except below | 1 | 90-97 | 28200-PX4-003 | 5A-732 |
| H73 | Solenoid, lock-up | and shift | 1 | 90-99 | 28300-PX4-014 | 5A-734 |
| n/i | Solenoid, shift (linear) black connector | BAXA/MAXA/M6HA/MDWA/MPJA | 1 | 97-02 | 28400-P6H-003 | 5A-738 |
| n/i | Solenoid, shift (linear) brown connector | BAXA/MAXA/M6HA/MDWA/MPJA | 1 | 97-02 | 28500-P6H-003 | 5A-739 |
| n/i | Solenoid, linear | pressure control solenoid | 1 | 97-02 | 28250-P6H-024 | 5A-731 |
| n/i | Switch, pressure (green connector) | 38 PSI (threaded/stepped) | 1 | 97-01 | 28600-PH6-003 | 15A-160 |
| n/i | Switch, pressure (black connector) | 33 PSI (threaded/stepped) | 1 | 98-04 | 28600-P7Z-003 | 15A-161 |
| n/i | Switch, pressure (beige connector) | 27 PSI (threaded stepped) | 1 | 98-02 | 28600-P7W-003 | 15A-162 |
| SPRAGS | | | | | | |
| F66 | Sprag, assembly one way clutch | MPOA/AOYA | 1 | 94-97 | 23423-POY-004 | 50513 |
| F66 | Sprag, assembly one way clutch | MPOA/AOYA | 1 | 90-97 | 23423-PX4-003 | 50514 |
| NOTES | | | | | | |
| | | | | | | |
| | | | | | | |
| | | | | | | |
| | | | | | | |
| | | | | | | |
| | | | | | | |
| | | | | | | |
| | | | | | | |
| | | | | | | |
| | | | | | | |
| | | | | | | |
| | | | | | | |
| | | | | | | |
| | | | | | | |
| | | | | | | |
| | | | | | | |
| | | | | | | |
| | | | | | | |
| | | | | | | |
| | | | | | | |
| | | | | | | |
| | | | | | | |
| | | | | | | |
| | | | | | | |
| | | | | | | |
| | | | | | | |
| | | | | | | |
| | | | | | | |
| | | | | | | |
| | | | | | | |
| | | | | | | |
| | | | | | | |
| | | | | | | |
| | | | | | | |
| | | | | | | |
| | | | | | | |

More Professionals Choose Kooler Kleen.

"... Kooler Kleen works instantly and better than anything we have tried."

- Ken's Performance Auto

"We send Kooler Kleen out with every transmission, and recommend it to our customers to thoroughly clean the cooler lines before assembly."

- Nevada Transmissions

"We ask other garages to use Kooler Kleen on their transmission installations, especially when they buy a rebuild transmission from us!"

- Festival City Transmission

"I always use Kooler Kleen for flushing coolers and I recommend it highly. It cleans great, nothing works better."

- Tri-city Transmission

"Dr. Tranny has saved us from having to rebuild transmissions the second time after just being rebuilt!"

- Cottman Transmission

- Prevents contamination of a new or rebuilt unit

- Removes grease, dirt, sludge, grime and metal shavings

- No water/soapy residue to contaminate new automatic transmission fluid

- No ozone depleting chemicals or CFC's

- No chlorinated solvents

- Formulated to not harm seals or degrade new automatic transmission fluid

- Prevents costly comebacks!



Used, Endorsed, Designated and Approved by Multiple OEM's

The ONLY REAL



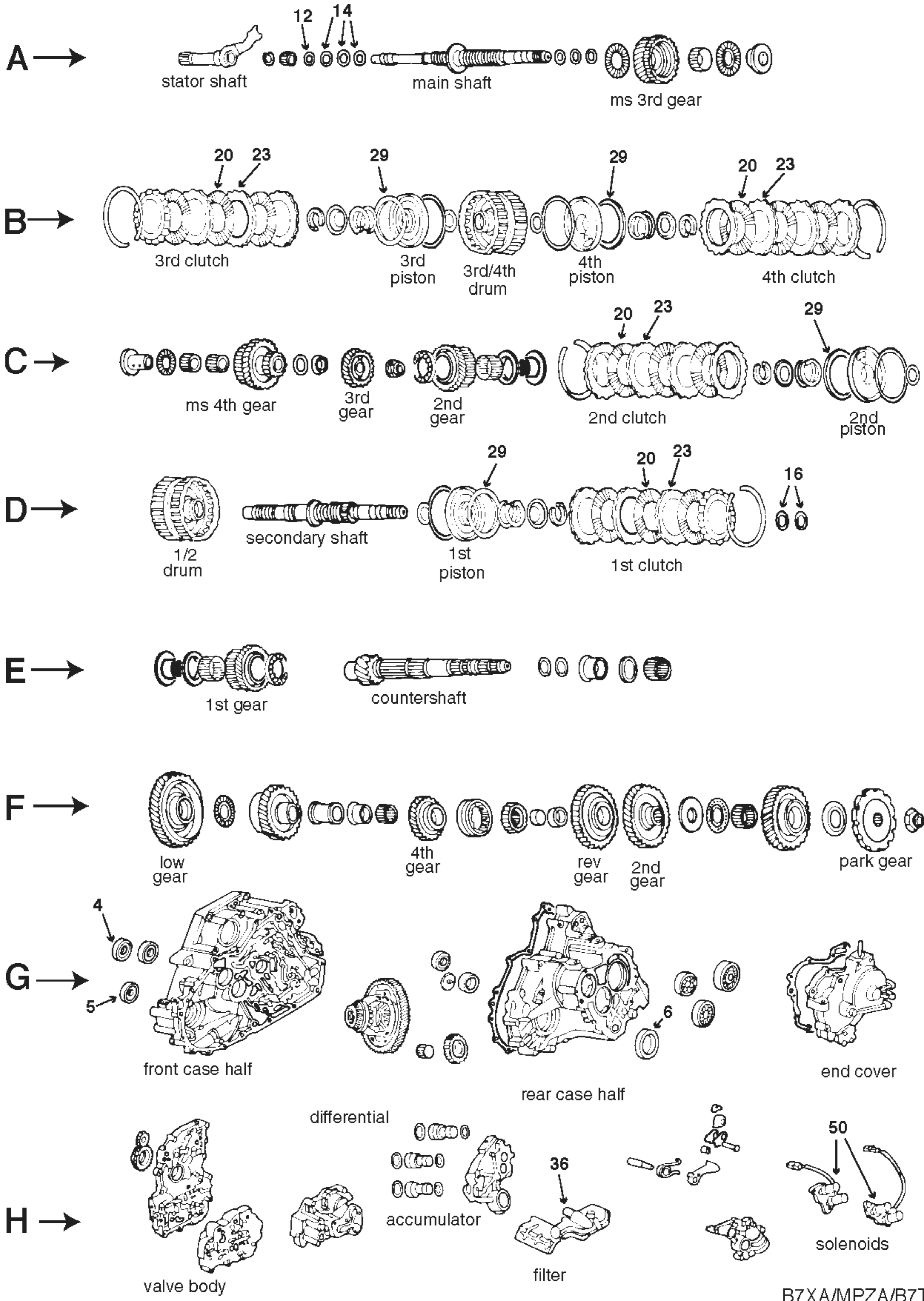
OE Approved Flush Cleaner

P/N 19001 with standard 5/8" tip pictured. (Universal tip also available P/N 19100)

Visit www.lubegard.com Technicians Corner for more FREE resources



INTERNATIONAL LUBRICANTS, INC.
 7930 Occidental South • Seattle, WA 98108 • PO Box 24743 • Seattle, WA 98124
 206-762-5343 • 800-333-LUBE (5823) • Fax: 206-762-7989 • www.Lubegard.com



B7XA/MPZA/B7TA/B7YA
50000B/BA/Q

| ILL | DESCRIPTION | QTY | YEAR | REFERENCE # | PART # |
|-------------------------|---|-----|-------|---------------|------------|
| REBUILDER KITS | | | | | |
| K5 | Master kit w/steels MPZA | 1 | 95-97 | AE | K5000B |
| K5 | Master kit w/steels B7XA | 1 | 98-02 | AE | K5000BA |
| K5 | Master kit w/steels B7TA/B7YA | 1 | 99-05 | AE | K5000Q |
| K6 | Master kit w/o steels MPZA | 1 | 95-97 | AE | K5000B-LS |
| K6 | Master kit w/o steels B7XA | 1 | 98-02 | AE | K5000BA-LS |
| K6 | Master kit w/o steels B7TA/B7YA | 1 | 99-05 | AE | K5000Q-LS |
| K7 | O/H gasket set w/seals-rings MPZA/B7XA/B7TA/B7YA/B7VA | 1 | 95-05 | AE | K50900B |
| METAL CLAD SEALS | | | | | |
| G4 | Seal, metal clad 44x68x8mm converter (front seal) | 1 | 95-05 | 91207-PG4-005 | 50201A |
| G5 | Seal, metal clad 35x54x8mm bell housing axle | 1 | 95-05 | 91207-PH8-005 | 50228 |
| G6 | Seal, metal clad 40x56x9mm case axle | 1 | 95-05 | 91206-PG2-005 | 50210 |
| n/i | Seal, metal clad 12x22x7mm manual lever (shift shaft) | 1 | 95-05 | 91209-612-003 | 46202 |
| n/i | Seal, metal clad 9x18x7mm throttle valve shaft (TV shaft) | 1 | 95-05 | 91201-PA9-003 | 50204 |
| SEALING RINGS | | | | | |
| K10 | Kit, sealing ring-metal all | 1 | 95-02 | AE | K50300E |
| K10 | Kit, sealing ring-teflon all | 1 | 98-02 | AE | K50300J |
| A12 | Ring, sealing-small-metal 29mm mainshaft | 1 | 95-02 | 22814-PK4-003 | 50300E |
| A12 | Ring, sealing-small-teflon 29mm mainshaft | 1 | 98-02 | 22815-PAX-005 | 50306 |
| A14 | Ring, sealing large-metal 32mm mainshaft | 3 | 95-02 | 22814-PA9-023 | 50300C |
| A14 | Ring, sealing-large-teflon 32mm mainshaft | 3 | 98-02 | 22814-PAX-005 | 50310 |
| D16 | Ring, sealing-large-metal 35mm secondary shaft | 2 | 95-02 | 22814-PF4-003 | 50300D |
| D16 | Ring, sealing-plastic 35mm secondary shaft | 2 | 98-02 | 22816-P6H-003 | 50312 |
| CLUTCH PLATES | | | | | |
| B20 | Friction .076" 4.728" od 44T MPZA (3rd clutch) | 4 | 95-97 | 22245-POZ-003 | 50105 |
| B20 | Friction .076" 4.728" od 44T B7XA (3rd clutch) | 4 | 98-02 | 22544-P7Z-003 | 50105 |
| B20 | Friction .077" 5.043" od 44T B7TA/B7YA (3rd clutch) | 4 | 99-05 | 22644-P7T-003 | 50135 |
| B23 | Steel .079" 3.664" id 24T MPZA (3rd clutch) | 4 | 95-97 | 22543-PX4-003 | 50110 |
| B23 | Steel .091" 3.664" id 24T B7XA (3rd clutch) | 4 | 98-02 | 22656-P7Z-003 | 50114 |
| B23 | Steel .091" 3.664" id 20T B7TA/B7YA (3rd clutch) | 4 | 99-05 | 22656-P7T-003 | 50136 |
| B24 | Friction .076" 4.728" od 44T MPZA (4th clutch) | 4 | 95-97 | 22245-POZ-003 | 50105 |
| B24 | Friction .076" 4.728" od 44T B7XA (4th clutch) | 4 | 98-02 | 22245-POZ-003 | 50105 |
| B24 | Friction .077" 5.043" od 44T B7TA/B7YA (4th clutch) | 4 | 99-05 | 22644-P7T-003 | 50135 |
| B25 | Steel .079" 3.664" id 24T MPZA (4th clutch) | 4 | 95-97 | 22653-P7Z-003 | 50110 |
| B25 | Steel .079" 3.664" id 24T B7XA (4th clutch) | 4 | 98-02 | 22653-P7Z-003 | 50110 |
| B23 | Steel .078" 3.664" id 20T (narrow teeth) B7TA/B7YA (4th clutch) | 4 | 99-05 | 22653-P7T-003 | 50138 |
| C26 | Friction .076" 4.728" od 44T MPZA (2nd clutch) | 5 | 95-97 | 22245-POZ-003 | 50105 |
| C26 | Friction .076" 4.728" od 44T B7XA (2nd clutch) | 6 | 98-02 | 22245-POZ-003 | 50105 |
| C26 | Friction .077" 4.846" od 44T B7TA/B7YA (2nd clutch) | 6 | 99-05 | 22544-P7T-003 | 50131 |
| C27 | Steel .079" 3.664" id 24T MPZA (2nd clutch) | 5 | 95-97 | 22653-P7Z-003 | 50110 |
| C27 | Steel .079" 3.664" id 24T B7XA (2nd clutch) | 6 | 98-02 | 22653-P7Z-003 | 50110 |
| C27 | Steel .078" 3.664" id 20T (wide teeth) B7TA/B7YA (2nd clutch) | 6 | 99-05 | 22543-P7T-003 | 50134 |
| D28 | Friction .076" 5.190" od 49T MPZA (1st clutch) | 4 | 95-97 | 22544-POZ-003 | 50141 |
| D28 | Friction .076" 4.728" od 44T B7XA (1st clutch) | 4 | 98-02 | 22245-POZ-003 | 50105 |
| D28 | Friction .077" 4.846" od 44T B7TA/B7YA (1st clutch) | 6 | 99-05 | 22544-P7T-003 | 50131 |
| D29 | Steel .079" 4.058" id 18T MPZA (1st clutch) | 4 | 95-97 | 22543-POZ-003 | 50132 |
| D29 | Steel .071" 4.058" 18T (undersize) MPZA (1st clutch) | ar | 95-97 | 116703-180 | 50132U |
| D29 | Steel .083" 4.058" 18T (oversize) MPZA (1st clutch) | ar | 95-97 | 116703-220 | 50132X |
| D29 | Steel .079" 3.664" id 24T B7XA (1st clutch) | 4 | 98-02 | 22653-P7Z-003 | 50110 |
| D29 | Steel .078" 3.664" id 20T (wide teeth) B7YA/B7TA (1st clutch) | 6 | 99-05 | 22543-P7T-003 | 50134 |
| n/i | Friction .076" 4.570" od 44T MPZA (low hold clutch) | 3 | 95-97 | 22674-POZ-003 | 50146 |
| n/i | Steel .079" 3.664" id 6T MPZA (low hold clutch) | 2 | 95-97 | 22683-POZ-003 | 50148 |
| n/i | Steel .063" 3.664" id 6T MPZA (low hold clutch) | ar | 95-97 | 22681-POZ-003 | 50156 |
| n/i | Steel .087" 3.664" id 6T MPZA (low hold clutch) | ar | 95-97 | 22684-POZ-003 | 50160 |

THE DODGE DIESEL TRIO

Combine Superior's New 48RE Kit, Low Reverse & Intermediate Super Servos to achieve the Total Fix for late model Dodge Diesel Truck Applications



The New SUPERIOR 48 RE Kit

Continuing in a proud tradition is our new 48RE Kit. This latest shift correction package is designed for popular Dodge truck applications. The 48RE Kit works on '05 & up Diesel units with Throttle Valve Actuators, addresses the 740 Code and many other common performance concerns.

The 48RE Shift Correction Package helps the following problems:

- Code 740
- Inadequate Line Pressure
- Premature Clutch Failure
- No-Stick Throttle Valve
- Rapid Fill Manual Valve
- Boost Valve Plate & Clip
- Slow Engagements
- Premature Band Failure

eliminate



The New Superior 618/48RE Low Reverse Super Servo

- Stabilizes piston so it will not flip or break in the bore
- Constructed of 6061-T6 billet aluminum for strength
- Steel servo pin included



Superior 727/518/618/48RE Intermediate Super Servo

- 11% more holding power
- More positive 2-3 shift
- Perfect for heavy duty and Performance Applications
- Firmer 1-2 shift

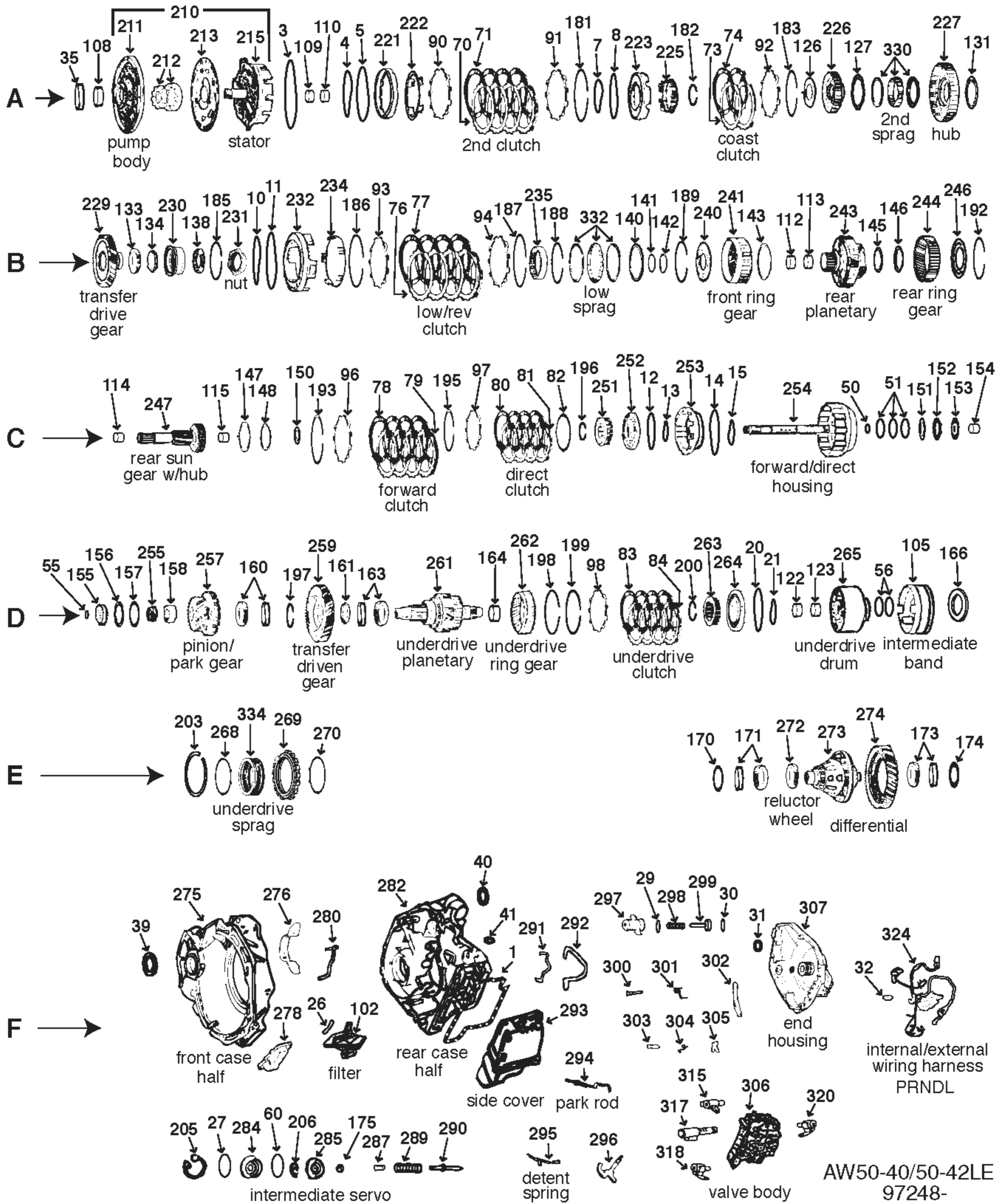


SUPERIOR
TRANSMISSION PARTS, INC.
THE SIMPLE SOLUTION



800-451-3115

www.superiortransmission.com



AW50-40/50-42LE
97248-

| ILL | DESCRIPTION | QTY | YEAR | REFERENCE # | PART # |
|--------------------------------------|--|-----|-------|-------------|-------------|
| TECHNICAL MANUALS | | | | | |
| K53 | Tech manual AW50-40/50-42LE dis/assembly diagnosis/troubleshooting | 1 | 92-07 | AW5042LE | 010-472 |
| REBUILDER KITS | | | | | |
| K4 | Master deluxe rebuild kit AW50-40/50-42LE | 1 | 89-97 | AE | 97248-10104 |
| K4 | Master deluxe rebuild kit AW50-40/50-42LE | 1 | 97-98 | AE | 97248-10114 |
| K4 | Master deluxe rebuild kit AW50-40/50-42LE | 1 | 98-07 | AE | 97248-10124 |
| K5 | Master kit w/steels AW50-40/50-42LE | 1 | 89-97 | AE | 97248-11104 |
| K5 | Master kit w/steels AW50-40/50-42LE | 1 | 97-98 | AE | 97248-11114 |
| K5 | Master kit w/steels AW50-40/50-42LE | 1 | 98-07 | AE | 97248-11124 |
| K6 | Master kit w/o steels AW50-40/50-42LE | 1 | 89-97 | AE | 97248-12104 |
| K6 | Master kit w/o steels AW50-40/50-42LE | 1 | 97-98 | AE | 97248-12114 |
| K6 | Master kit w/o steels AW50-40/50-42LE | 1 | 98-07 | AE | 97248-12124 |
| K7 | O/H gasket set w/seals-rings AW50-40/50-42LE | 1 | 89-07 | 2319 | 97248-13104 |
| VALVE BODY KITS | | | | | |
| K15 | Shift Kit® AW50-40/50-42LE | 1 | 92-07 | n/a | 97248-17009 |
| K15 | Shift Correction Package AW50-40/50-42LE | 1 | 92-07 | n/a | 97248-17005 |
| GASKETS AND RUBBER COMPONENTS | | | | | |
| F1 | Gasket, side pan Duraprene® AW50-40/50-42LE | 1 | 89-07 | FDB-B11385 | 97248-19104 |
| A3 | O'ring pump to case | 1 | 89-07 | 90348756 | 97248-21104 |
| F31 | Seal front hsg to rear half | 3 | 89-07 | 90369297 | 23036 |
| F32 | O'ring input/output sensors | 2 | 89-07 | 94385669 | 93234-23804 |
| n/i | O'ring Opel (filler tube) | 1 | 89-92 | 90223715 | 23027 |
| n/i | Multi lip seal (boot) Opel (filler tube) | 1 | 93-07 | 1259475 | 13925 |
| n/i | Seal, filler tube Volvo (filler tube) | 1 | 93-07 | 1397983-6 | 97248-24004 |
| METAL CLAD SEALS | | | | | |
| A35 | Seal, metal clad front seal | 1 | 89-07 | 90348749 | 46200 |
| F39 | Seal, metal clad Volvo AW50-40 | 2 | 93-07 | 6843112-1 | 97248-30104 |
| F40 | Seal, metal clad Opel AW50-40/50-42LE | 2 | 92-07 | 90342143 | 51201 |
| F40 | Seal, metal clad AWD right axle | 1 | 01-07 | B37035 | 97248-30204 |
| F41 | Seal, metal clad 12x22x7mm lever seal | 1 | 89-07 | 3520746-3 | 46202 |
| SEALING RINGS | | | | | |
| K10 | Kit, sealing ring AW50-40/50-42LE | 1 | 89-07 | AE | 97248-50004 |
| C50 | Sealing ring (small teflon) input shaft to rear cover | 1 | 89-07 | 90348782 | 97248-48200 |
| C51 | Sealing ring (metal) forward drum to cover | 3 | 89-93 | 90348742 | 97248-32204 |
| C51 | Sealing ring (teflon) forward drum to cover | 3 | 93-07 | 90512224 | 97248-33304 |
| D56 | Sealing ring (metal) underdrive clutch | 2 | 89-07 | 90348719 | 97248-32404 |
| D55 | Sealing ring (plastic) lube planetary | 1 | 89-07 | 94844768 | 97248-33404 |
| n/i | Sealing ring (teflon) outer accumulator piston | 3 | 89-07 | 9143574-3 | 97248-33604 |
| n/i | Sealing ring (small teflon) B-1/C-2 inner accumulator piston | 2 | 89-07 | FDB-21412 | 97248-33804 |
| n/i | Sealing ring (large teflon) B-1/C-2 inner accumulator piston | 2 | 89-07 | 9143575-0 | 97248-34004 |
| n/i | Sealing ring (small teflon) C-3 inner accumulator piston | 2 | 89-07 | 9143581-8 | 97248-34204 |
| n/i | Sealing ring (large teflon) C-3 inner accumulator piston | 2 | 89-07 | 9143592-6 | 97248-34404 |
| CLUTCH PLATES | | | | | |
| A70 | Steel .098" 5.661" id 10T 2nd clutch brake (B2) | 2 | 89-98 | 90348795 | 97248-37604 |
| A70 | Steel .071" 5.661" id 10T 2nd clutch brake (B2) | sel | 89-98 | 110707-180 | 97248-37504 |
| A70 | Steel .098" 5.538" id 10T 2nd clutch brake (B2) | 4 | 99-07 | 110707B-250 | 97248-37804 |
| A70 | Steel .071" 5.538" id 10T 2nd clutch brake (B2) | 4 | 99-07 | 110707B-180 | 97248-37704 |
| A71 | Friction .067" 6.302" od 33T 2nd clutch brake (B2) | 3 | 89-98 | 90542947 | 97248-35614 |
| A71 | Friction .075" 6.302" od 40T 2nd clutch brake (B2) | 4 | 99-07 | 110704A-190 | 97248-35804 |
| A71 | Friction .067" 6.302" od 40T 2nd clutch brake (B2) | 6 | 99-07 | 110704A-160 | 97248-35704 |
| A73 | Steel .071" 3.582" id 8T coast clutch (B1) | 2 | 89-07 | 90348787 | 97248-38104 |
| A74 | Friction .067" 4.260" od 34T coast clutch (B1) | 4 | 89-07 | 90542422 | 97248-35504 |
| B76 | Steel .071" 5.661" id 15T low/reverse clutch (B3) | 5 | 89-07 | 90348807 | 97248-38504 |
| B77 | Friction .067" 6.302" od 33T low/reverse clutch (B3) | 6 | 89-98 | 90348808 | 97248-35604 |

AW50-40•AW50-42LE

AW50-40•AW50-42LE

| ILL | DESCRIPTION | QTY | YEAR | REFERENCE # | PART # |
|-------------------------------------|--|-----|-------|--------------|-------------|
| CLUTCH PLATES (CONTINUED) | | | | | |
| C78 | Friction .067" 5.374" od 46T forward clutch (C1) | 4 | 89-07 | 90542936 | 97248-36004 |
| C79 | Steel .071" 4.491" id 12T forward clutch (C1) | 4 | 89-07 | 90348778 | 97248-38704 |
| C79 | Steel .077" 4.491" id 12T forward clutch (C1) | sel | 89-07 | 90542937 | 97248-38804 |
| C80 | Friction .067" 4.260" od 34T direct clutch (C2) | 4 | 89-98 | 90542422 | 97248-36304 |
| C80 | Friction .067" 4.482" od 34T direct clutch (C2) | 4 | 99-07 | 110700A-170 | 97248-36404 |
| C81 | Steel .071" 3.582" id 12T direct clutch (C2) | 4 | 89-98 | 90348774 | 97248-39004 |
| C81 | Steel .071" 3.582" id 18T direct clutch (C2) | 4 | 99-07 | 110701A-180 | 97248-39104 |
| D83 | Friction .067" 4.260" od 34T underdrive clutch (C3) | 4 | 89-98 | 90542422 | 97248-35504 |
| D83 | Friction .067" 4.482" od 34T underdrive clutch (C3) | 4 | 99-07 | 110700A-170 | 97248-36404 |
| D84 | Steel .071" 3.582" id 8T underdrive clutch (C3) | 4 | 89-98 | 90348787 | 97248-38104 |
| D84 | Steel .098" 3.582" id 18T underdrive clutch (C3) | 3 | 99-07 | 110709A-250 | 97248-39404 |
| n/i | Friction .059" 5.870" od 61T transfer case clutch | ar | 89-07 | 110710-150 | 97248-36804 |
| n/i | Steel .059" 5.220" id 66T transfer case clutch | 0 | 89-07 | n/a | 97248-39604 |
| n/i | Plate dished coast clutch | 1 | 89-07 | n/a | 97248-40303 |
| n/i | Steel shim coast clutch | 1 | 89-07 | n/a | 97248-40003 |
| PRESSURE PLATES | | | | | |
| A91 | Pressure plate 2nd clutch (B2) | 1 | 89-07 | AE | 97248-41303 |
| A92 | Pressure plate coast clutch (C2) | 1 | 89-07 | AE | 97248-41103 |
| B94 | Pressure plate .150" 5.665" id 15T low/reverse (B3) | 1 | 89-07 | AE | 97248-41903 |
| C96 | Pressure plate .142" 4.491" id 12T forward clutch (C1) | 1 | 89-07 | AE | 97248-41603 |
| C96 | Pressure plate .150" 4.491" id 12T forward clutch (C1) | 1 | 89-07 | AE | 97248-41703 |
| C96 | Pressure plate .158" 4.491" id 12T forward clutch (C1) | 1 | 89-07 | AE | 97248-41803 |
| C97 | Pressure plate direct clutch (C2) | 1 | 89-07 | AE | 97248-41503 |
| D98 | Pressure plate underdrive clutch | 1 | 89-07 | AE | 97248-42003 |
| FILTERS | | | | | |
| F102 | Filter, main suction AW50-40/50-42LE | 1 | 89-98 | 50407380001N | 97248-45104 |
| F102 | Filter, main suction AW50-40 | 1 | 99-07 | 30681088 | 97248-45204 |
| BANDS | | | | | |
| D105 | Band, intermediate AW50-40/50-42LE | 1 | 99-07 | 5040735001U | 97248-47504 |
| BUSHINGS | | | | | |
| K12 | Kit, bushing AW50-40/50-42LE | 1 | 92-07 | AE | 97248-50104 |
| A108 | Bushing pump body | 1 | 92-07 | n/a | 46001 |
| A109 | Bushing pump support (front) | 1 | 92-07 | n/a | 97248-50704 |
| A110 | Bushing pump support (rear) | 1 | 92-07 | n/a | 97248-50704 |
| B112 | Bushing rear planetary (front) | 1 | 92-07 | n/a | 97248-50904 |
| B113 | Bushing rear planetary (rear) | 1 | 92-07 | n/a | 97248-50904 |
| C114 | Bushing rear sun gear (front) | 1 | 92-07 | n/a | 97248-51104 |
| C115 | Bushing rear sun gear (rear) | 1 | 92-07 | n/a | 97248-51104 |
| D122 | Bushing underdrive drum (front) | 1 | 92-07 | n/a | 97248-51504 |
| D123 | Bushing underdrive drum (rear) | 1 | 92-07 | n/a | 97248-51504 |
| WASHERS/BEARINGS/RACES/SHIMS | | | | | |
| K13 | Kit, thrust washer AW50-40/5042LE | 1 | 92-07 | n/a | 97248-54604 |
| K13 | Kit, thrust bearing AW50-40/5042LE | 1 | 92-07 | n/a | 97248-55204 |
| A126 | Washer, thrust (3-tab plastic) sprag race to pump support | 1 | 92-07 | n/a | 97248-56204 |
| A127 | Washer, thrust (3-tab plastic) sprag race to coast clutch hub | 1 | 92-07 | n/a | 97248-56404 |
| A131 | Washer, thrust (3-tab plastic) coast clutch hub to transfer gear | 1 | 92-07 | n/a | 97248-56504 |
| B133 | Bearing, cup/cone drive transfer gear support | 2 | 92-07 | n/a | 97248-56704 |
| B140 | Washer, thrust (plastic) front ring gear (front) | 1 | 92-07 | n/a | 97248-56804 |
| B141 | Bearing, thrust front ring gear (front) | 1 | 92-07 | n/a | 97248-56904 |
| B142 | Bearing, thrust front ring gear (front) | 1 | 92-07 | n/a | 97248-57004 |
| B143 | Bearing, thrust rear planetary to front ring gear | 1 | 92-07 | n/a | 97248-57104 |
| B145 | Race, thrust rear planetary to rear ring gear | 1 | 92-07 | n/a | 97248-57204 |
| B146 | Bearing, thrust rear planetary to rear ring gear | 1 | 92-07 | n/a | 97248-57304 |

| ILL | DESCRIPTION | QTY | YEAR | REFERENCE # | PART # |
|---|---|-----|-------|-------------|-------------|
| WASHERS/BEARINGS/RACES/SHIMS (CONTINUED) | | | | | |
| C147 | Race, thrust rear sun gear | 1 | 92-07 | n/a | 97248-57504 |
| C148 | Bearing, thrust rear sun gear | 1 | 92-07 | n/a | 97248-57704 |
| C150 | Bearing, thrust rear sun gear | 1 | 92-07 | n/a | 97248-57804 |
| C151 | Race, thrust forward/direct housing | 1 | 92-07 | n/a | 97248-58004 |
| C152 | Bearing, thrust forward/direct housing | 1 | 92-07 | n/a | 97248-58104 |
| C153 | Race, thrust forward/direct housing | 1 | 92-07 | n/a | 97248-58204 |
| C154 | Bearing, caged forward/direct housing | 1 | 92-07 | n/a | 97248-58504 |
| D155 | Bearing, caged front housing to planetary | 1 | 92-07 | n/a | 97248-58604 |
| D156 | Bearing, thrust front housing to planetary | 1 | 92-07 | n/a | 97248-58704 |
| D157 | Race, thrust front housing to planetary | 1 | 92-07 | n/a | 97248-59004 |
| D158 | Bearing, caged front housing to planetary | 1 | 92-07 | n/a | 97248-59104 |
| D160 | Bearing, cup/cone driven transfer gear | 1 | 92-07 | n/a | 97248-59204 |
| D161 | Spacer, crush sleeve driven transfer gear | 1 | 92-07 | n/a | 97248-59404 |
| D163 | Bearing, cup/cone driven transfer gear | 1 | 92-07 | n/a | 97248-59204 |
| D164 | Bearing, caged underdrive planetary | 1 | 92-07 | n/a | 97248-59504 |
| D166 | Bearing, thrust underdrive drum | 1 | 92-07 | n/a | 97248-59704 |
| E170 | Washer, shim differential | sel | 92-07 | n/a | 97248-59904 |
| E171 | Bearing, cup/cone differential | 1 | 92-07 | n/a | 97248-60104 |
| E173 | Bearing, cup/cone differential | 1 | 92-07 | n/a | 97248-60304 |
| E174 | Washer, shim differential | sel | 92-07 | n/a | 97248-60504 |
| SNAP RINGS | | | | | |
| A181 | Snap ring 2nd clutch pressure plate | 1 | 92-07 | AE | 97248-62503 |
| A182 | Snap ring coast clutch retainer | 1 | 92-07 | AE | 97248-62803 |
| A183 | Snap ring coast clutch pressure plate | 1 | 92-07 | AE | 97248-62903 |
| B185 | Snap ring transfer gear retainer | 1 | 92-07 | AE | 97248-63203 |
| B186 | Snap ring low/reverse clutch retainer | 1 | 92-07 | AE | 97248-63303 |
| B187 | Snap ring low/reverse clutch pressure plate | 1 | 92-07 | AE | 97248-63503 |
| B188 | Snap ring low sprag | 1 | 92-07 | AE | 97248-63803 |
| B189 | Snap ring front ring gear hub | 1 | 92-07 | AE | 97248-64003 |
| B192 | Snap ring rear ring gear hub | 1 | 92-07 | AE | 97248-64303 |
| C193 | Snap ring forward clutch pressure plate | 1 | 92-07 | AE | 97248-64503 |
| C195 | Snap ring direct clutch pressure plate | 1 | 92-07 | AE | 97248-64703 |
| C196 | Snap ring direct clutch retainer | 1 | 92-07 | AE | 97248-64903 |
| D197 | Snap ring seat for transfer gear bearings | 1 | 92-07 | AE | 97248-65003 |
| D198 | Snap ring underdrive ring gear | 1 | 92-07 | AE | 97248-65103 |
| D199 | Snap ring underdrive clutch pressure plate | 1 | 92-07 | AE | 97248-65303 |
| D200 | Snap ring underdrive clutch retainer | 1 | 92-07 | AE | 97248-65503 |
| E203 | Snap ring underdrive sprag | 1 | 92-07 | AE | 97248-65803 |
| PUMP PARTS AND PUMPS | | | | | |
| A210 | Pump, assembly w/plate AW50-40/5042LE | 1 | 89-07 | AE | 97248-67003 |
| HARD PARTS | | | | | |
| A221 | Piston, 2nd clutch AW50-40/5042LE (aluminum) | 1 | 92-07 | AE | 97248-72203 |
| A222 | Retainer, w/springs 2nd clutch | 1 | 92-07 | AE | 97248-72303 |
| A223 | Piston, coast clutch AW50-40/5042LE (aluminum) | 1 | 92-07 | AE | 97248-72603 |
| A225 | Retainer, w/springs coast clutch | 1 | 92-07 | AE | 97248-72703 |
| A226 | Hub, coast clutch (inner sprag race) AW50-40/5042LE | 1 | 92-07 | AE | 97248-73003 |
| A227 | Hub, 2nd clutch (outer sprag race) AW50-40/5042LE | 1 | 92-07 | AE | 97248-73103 |
| B229 | Gear, transfer drive AW50-40/5042LE | 1 | 92-07 | AE | 97248-73203 |
| B230 | Retainer, drive transfer gear AW50-40/5042LE | 1 | 92-07 | AE | 97248-73503 |
| B231 | Nut, drive transfer gear AW50-40/5042LE | 1 | 92-07 | AE | 97248-73603 |
| B232 | Piston, low/reverse clutch AW50-40/5042LE | 1 | 92-07 | AE | 97248-73703 |
| B234 | Retainer, w/springs low/reverse clutch | 1 | 92-07 | AE | 97248-73803 |
| B235 | Race, inner low sprag AW50-40/5042LE | 1 | 92-07 | AE | 97248-73903 |

AW50-40•AW50-42LE

AW50-40•AW50-42LE

| ILL | DESCRIPTION | QTY | YEAR | REFERENCE # | PART # |
|-------------------------------|--------------------------------------|-----|-------|--|-------------|
| HARD PARTS (CONTINUED) | | | | | |
| B240 | Hub, front ring gear | 1 | 92-07 | AE | 97248-74203 |
| B241 | Gear, front ring | 1 | 92-07 | 5040662004G | 97248-75203 |
| B243 | Planetary, rear | 1 | 92-07 | 3572050A010 | 97248-75803 |
| B244 | Gear, rear ring | 1 | 92-07 | 5040162003M | 97248-76003 |
| B246 | Hub, rear ring gear | 1 | 92-07 | AE | 97248-76203 |
| C247 | Gear, sun w/shaft | 1 | 92-07 | 3570650A030 | 97248-76503 |
| C251 | Retainer, w/springs | 1 | 92-07 | AE | 97248-76803 |
| C252 | Piston, direct clutch | 1 | 92-07 | AE | 97248-76903 |
| C253 | Piston, forward clutch | 1 | 92-07 | AE | 97248-77003 |
| C254 | Housing, forward/direct | 1 | 92-07 | 3570150A021 | 97248-77603 |
| D255 | Nut, underdrive planetary | 1 | 92-07 | AE | 97248-77903 |
| D257 | Gear, final pinion (w/park gear) | 1 | 92-07 | AE | 97248-78003 |
| D259 | Gear, transfer driven | 1 | 92-07 | AE | 97248-79003 |
| D261 | Planetary, underdrive | 1 | 92-07 | 3433050A010 | 97248-80003 |
| D262 | Gear, underdrive ring | 1 | 92-07 | 5040162005F | 97248-80403 |
| D263 | Retainer, w/springs | 1 | 92-07 | AE | 97248-80603 |
| D264 | Piston, underdrive clutch | 1 | 92-07 | AE | 97248-80703 |
| D265 | Drum, underdrive | 1 | 92-07 | AW50-40/5042LE (inner sprag race) | 97248-81203 |
| E269 | Race, underdrive outer sprag | 1 | 92-07 | AE | 97248-81503 |
| E273 | Differential assembly w/spider gears | 1 | 92-07 | AE | 97248-81703 |
| E274 | Gear, final ring | 1 | 92-07 | AE | 97248-82003 |
| F275 | Housing, front case half | 1 | 92-07 | AE | 97248-82203 |
| F282 | Housing, main case half | 1 | 92-07 | AE | 97248-83003 |
| F293 | Pan, side cover | 1 | 92-07 | AE | 97248-83803 |
| F294 | Rod, park | 1 | 92-07 | AE | 97248-83903 |
| F295 | Spring, detent w/roller | 1 | 92-07 | AE | 97248-84003 |
| F296 | Shaft, shift (w/rooster cone) | 1 | 92-07 | AE | 97248-84103 |
| F300 | Pin, park pawl | 1 | 92-07 | AE | 97248-84203 |
| F301 | Spring, park pawl | 1 | 92-07 | AE | 97248-84303 |
| F302 | Pawl, park | 1 | 92-07 | AE | 97248-84403 |
| F306 | Valve body w/solenoids | 1 | 92-07 | AE | 97248-84503 |
| F307 | Housing, end | 1 | 92-07 | AE | 97248-84603 |
| ELECTRICAL COMPONENTS | | | | | |
| F315 | Solenoid | 1 | 89-07 | shift 1 (A) 8542050A090 | 97248-87604 |
| F317 | Solenoid, lock-up (TCC) | 1 | 89-07 | AW50-40/5042LE 3526050A010 | 97248-87304 |
| F318 | Solenoid, EPC | 1 | 89-07 | AW50-40/5042LE n/a | 97248-87004 |
| F320 | Solenoid | 1 | 89-07 | shift 2 (B) 8542050A080 | 97248-87604 |
| F324 | Harness, wire connector internal | 1 | 89-07 | AW50-40/5042LE (11wires) n/a | 97248-85304 |
| F324 | Harness, wire connector internal | 1 | 89-07 | AW50-40/5042LE (17 pins) n/a | 97248-85204 |
| n/i | Switch, neutral start | 1 | 89-07 | AW50-40/5042LE 8454050A040 | 97248-85904 |
| n/i | Sensor, temperature | 1 | 89-07 | AW50-40/5042LE (VTS) 8942950A020 | 97248-86204 |
| n/i | Sensor, input speed | 1 | 89-07 | AW50-40/5042LE (VSS) 8941160A030 | 97248-86304 |
| SPRAGS | | | | | |
| A330 | Sprag | 1 | 92-98 | AW50-40 (coast clutch) 3579150A010 | 97248-94204 |
| A330 | Sprag | 1 | 99-07 | AW50-42LE (coast clutch) n/a | 97248-94304 |
| B332 | Sprag | 1 | 92-07 | AW50-40/50-42LE (low/reverse) 3579235011 | 97248-94604 |
| E334 | Sprag | 1 | 92-07 | AW50-40/50-42LE (underdrive clutch) 5040506001Z | 97248-95004 |
| NOTES | | | | | |
| | | | | | |
| | | | | | |
| | | | | | |
| | | | | | |



Transmission Accessories

TeckPak

UNIVERSAL TRANSMISSION FILLER TUBES & STICKS

ECONOMY

HIGH PERFORMANCE

| | | | | | | | |
|--|---|--|--|--|---|--|---|
| | <p>K35999U Fits all 200, 200C, 200-4R, 350, 350C and 400 transmissions, deep or shallow pan.</p> | | <p>K77999U Fits most GM's 700-R4, 4L60, 4L60E '95 and down, plus 2.8 and 4.3 V-6 S-10 applications.</p> | | <p>K35889U-HP Features lockdown top to eliminate stick blow-out! Fits all 200, 200C, 200-4R, 350, 350C and 400 transmissions, deep or shallow pan.</p> | | <p>K77999U-HP Features lockdown top to eliminate stick blow-out! Fits most GM's 700-R4, 4L60, 4L60E, '95 and down, plus 2.8 and 4.3 V-6 S-10 applications.</p> |
| | <p>FORD FILLER TUBE REPAIR END K3999U Fits Fords only.</p> | | <p>STEEL FILLER TUBE REPAIR END K35999R Fits Ford, Chrysler & GM (with GM hot test). Made of steel so it can be brazed.</p> | | <p>UNIVERSAL DUST COVER K35803U Fits over 90% of all GM rear wheel drive automatic transmissions, 1965 to 1995 car and light duty truck.</p> | | |

THE SOLUTIONS THAT ADJUST PERFECTLY!

UNIVERSAL DETENT CABLES

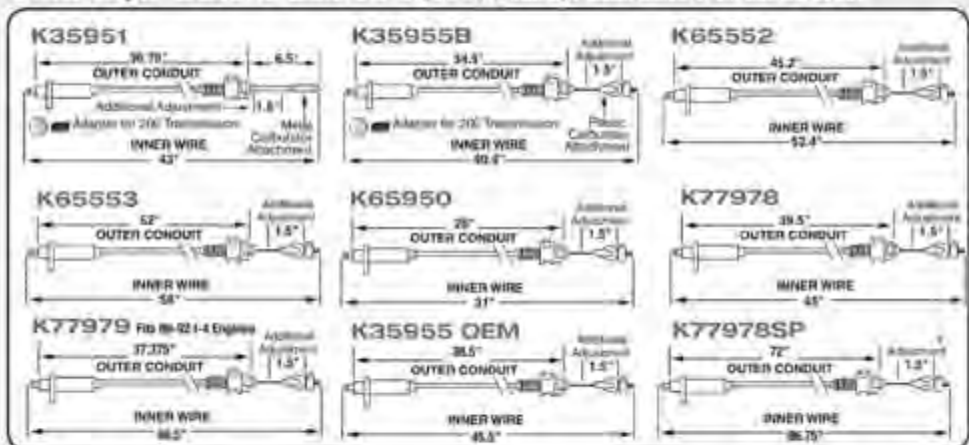
Telescoping design fits 95% of all GM transmissions.

K35955U (A) - Does not fit firewall mount. Fits 200 & 200C, '76 to '80, 250, 250C, 350, 350C '69 to '87.

K65940U (B) - Does not fit 325, 3254L. Fits 125C, 200, 200C, 200-4R, 440-T4, 700-R4, 4L60.

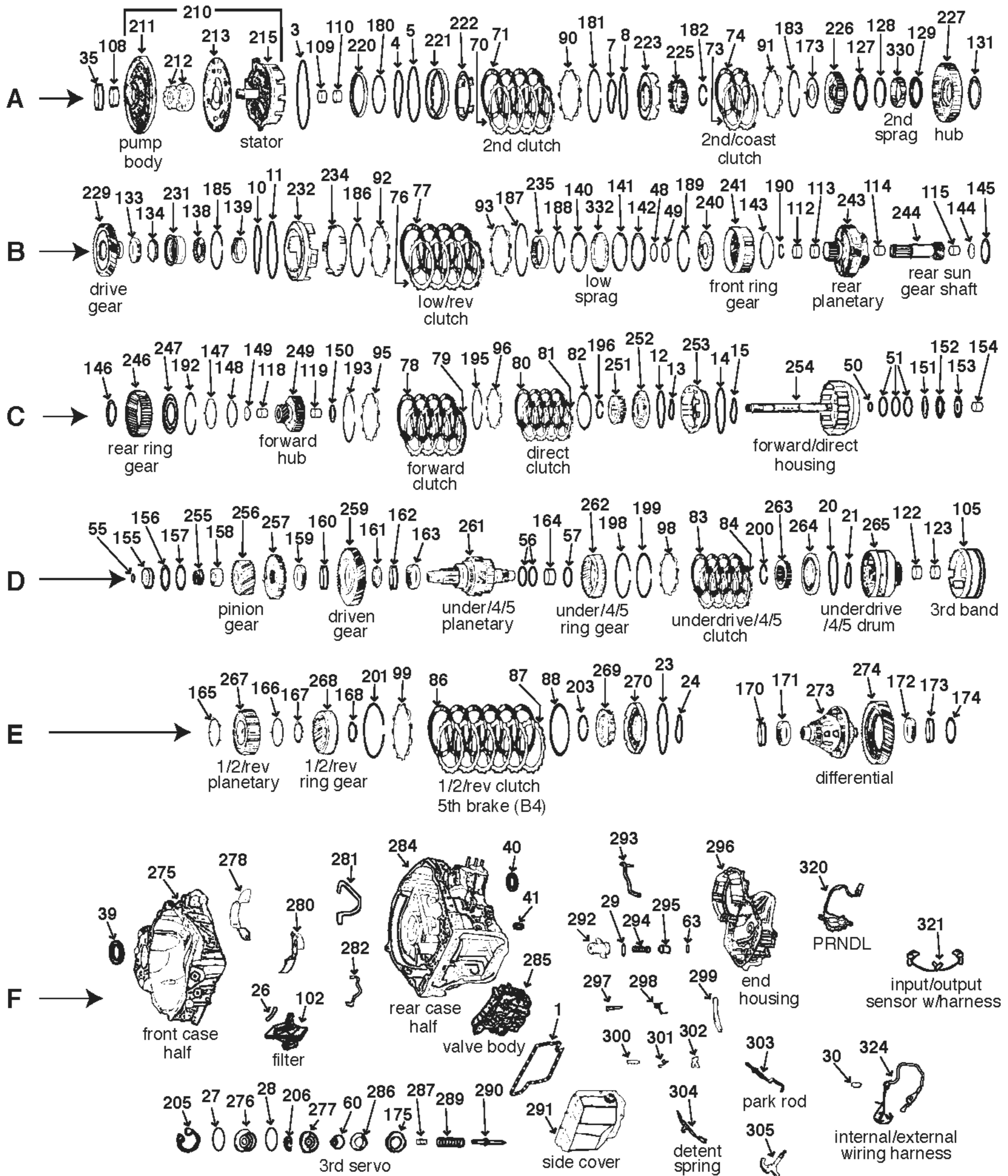


OEM-Style Detent Cables Original equipment style detent cables for GM cars and trucks.



| | | | |
|---|--|--|--|
| <p>Large GM Detent Cable Repair End K77909U Lower '80-UP 700-R4, 125C, 200, 200C, 200-4R, 440-T4 325, 325-4L</p> | <p>Small GM Detent Cable Repair End K35909-1 Lower '69-'87 350 & some 200 cables.</p> | <p>Cable End Upper K35955CE</p> | <p>Cable End Lower 67999 BW, Asian Warner Volvo, Toyota, Jaguar, Z-F: '72-'97</p> |
|---|--|--|--|

Toll Free: 1.800.527.2544 • www.teckpak-fitzall.com



AW55-50SN/AW55-51SN/AF23/AF33/RE5F22A

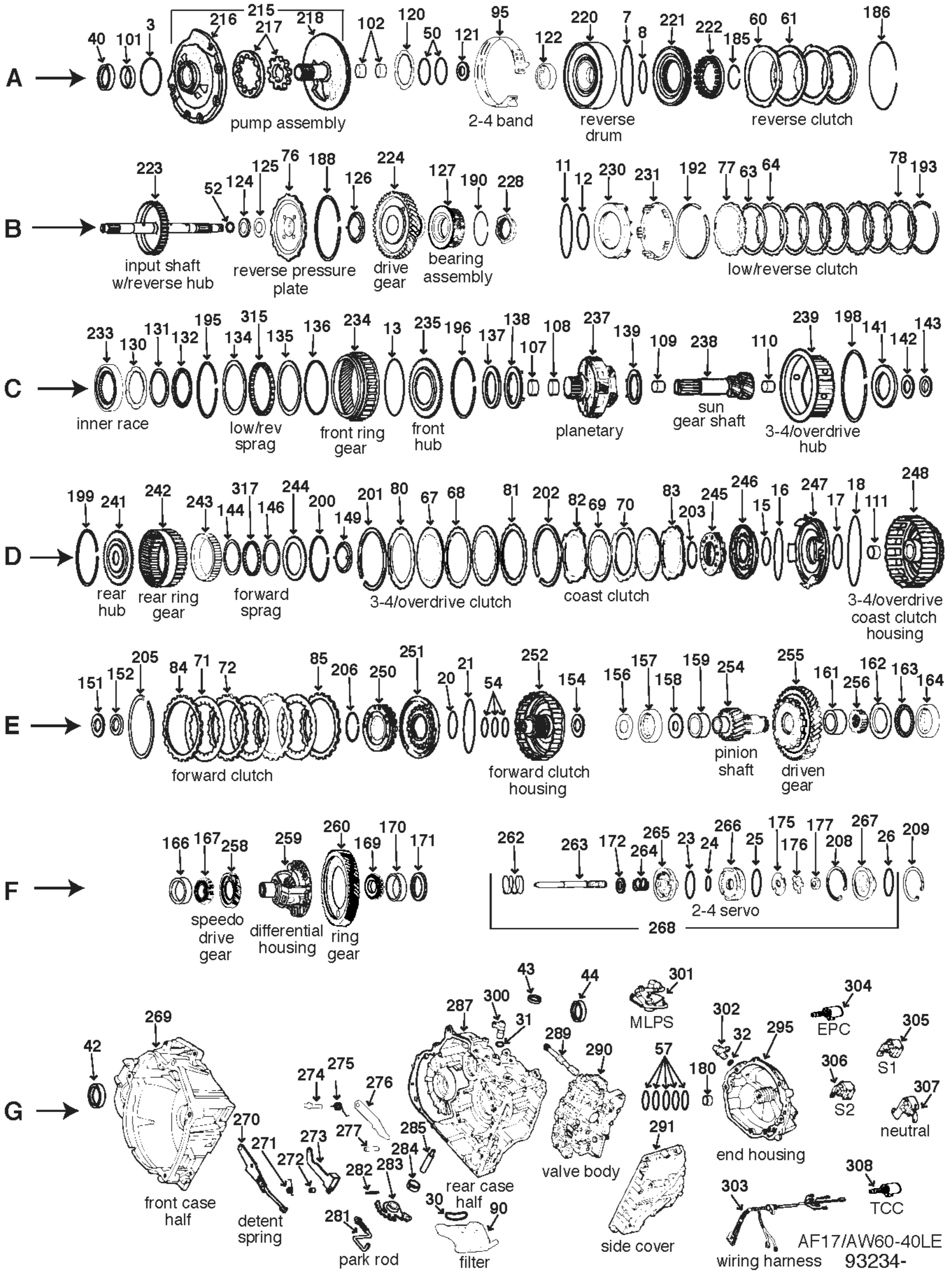
97249-

| ILL | DESCRIPTION | | QTY | YEAR | REFERENCE # | PART # |
|--------------------------------------|--|--|-----|-------|-------------|-------------|
| TECHNICAL MANUALS | | | | | | |
| K53 | Tech manual AW55-50SN | preliminary information | 1 | 01-09 | AW55-50SN | 010-476 |
| REBUILDER KITS | | | | | | |
| K4 | Master deluxe rebuild kit | AW55-50SN/AF23/33-5/RE5F22A | 1 | 01-04 | AE | 97249-10104 |
| K4 | Master deluxe rebuild kit | AW55-50SN/AF23/33-5/RE5F22A | 1 | 05-09 | AE | 97249-10114 |
| K5 | Master kit w/steels | AW55-50SN/AF23/33-5/RE5F22A | 1 | 01-04 | AE | 97249-11104 |
| K5 | Master kit w/steels | AW55-50SN/AF23/33-5/RE5F22A | 1 | 05-09 | AE | 97249-11114 |
| K6 | Master kit w/o steels | AW55-50SN/AF23/33-5/RE5F22A | 1 | 01-04 | AE | 97249-12104 |
| K6 | Master kit w/o steels | AW55-50SN/AF23/33-5/RE5F22A | 1 | 05-09 | AE | 97249-12114 |
| K7 | O/H gasket set w/seals-rings | AW55-50SN/AF23/33-5/RE5F22A | 1 | 01-04 | FDB-2455 | 97249-13104 |
| K13 | Kit, valve body gaskets | AW55-50SN/AF23/33-5/RE5F22A | 1 | 01-09 | FDB-4779 | 97249-16004 |
| VALVE BODY KITS | | | | | | |
| K15 | Shift Kit® fix bang dr engage/TCC slip | 4-3/3-2 clunk/2-3/3-4 loose/kick down | 1 | 01-08 | n/a | 97249-17009 |
| GASKETS AND RUBBER COMPONENTS | | | | | | |
| F1 | Gasket, valve body cover (Duraprene®) | AW50-50SN/AF33-5/AF23-5 | 1 | 01-09 | FDB-11386 | 97249-19104 |
| A3 | O'ring | pump to case | 1 | 01-09 | 90348756 | 97248-21104 |
| F30 | O'ring | case connector | 1 | 01-09 | 9495014-4 | 13822 |
| n/i | O'ring | Volvo AW50-50SN (speed sensors) | 2 | 01-09 | 94385669 | 93234-23804 |
| n/i | O'ring | Saturn AF23-5 (speed sensors) | 2 | 02-04 | 24220733 | 13767 |
| n/i | O'ring | AW50-50SN/AF33-5/AF23-5 (filler tube) | 1 | 01-09 | 9495026-8 | 97249-23904 |
| n/i | O'ring | Volvo (seal filler tube) | 1 | 01-09 | 1397983-6 | 97249-24004 |
| n/i | O'ring | Volvo (axle shaft seals) | 2 | 01-09 | 8632036-3 | 13989 |
| n/i | O'ring | Volvo (seal axle splines) | 2 | 01-09 | FDB-33225 | 97249-24204 |
| n/i | Seal | Saturn | 2 | 02-04 | FDB-32748 | 23529 |
| METAL CLAD SEALS | | | | | | |
| A35 | Seal, metal clad | front | 1 | 01-09 | 90348749 | 46200 |
| F39 | Seal, metal clad | Volvo right side axle | 1 | 01-09 | 9495018-5 | 97249-30204 |
| F39 | Seal, metal clad | Saturn AWD right axle seal | 1 | 02-03 | FDB-37004 | 90249-30404 |
| F40 | Seal, metal clad | Opel left/right, Saturn left 2WD axle side | 1/2 | 02-04 | 90342143 | 51201 |
| F40 | Seal, metal clad | Volvo left, Nissan left/right side axle | 1/2 | 01-09 | 6843112-1 | 97248-30104 |
| F41 | Seal, metal clad 12x22x7mm | manual lever shaft | 1 | 01-09 | 3520746-3 | 46202 |
| SEALING RINGS | | | | | | |
| K10 | Kit, sealing ring | AW50-50SN/AF33-5/AF23-5 | 1 | 01-09 | FDB-3484 | 97249-31504 |
| C50 | Ring, sealing | forward/direct housing to end cover | 1 | 01-09 | 90348782 | 97249-33204 |
| C51 | Ring, sealing | input housing to end cover | 3 | 01-09 | 90512224 | 97249-33304 |
| D55 | Ring, sealing | planetary lube ring | 1 | 01-09 | 94844768 | 97249-33504 |
| D56 | Ring, sealing | planetary shaft to 4/5 housing (front) | 2 | 01-09 | FDB-21840 | 97249-33704 |
| D57 | Ring, sealing | end housing to planetary shaft (rear) | 1 | 01-09 | FDB-21839 | 97249-33904 |
| F63 | Ring, sealing | forward accumulator | 2 | 01-09 | 9143582-6 | 97249-34204 |
| CLUTCH PLATES | | | | | | |
| A70 | Steel .071" 5.538" id 10T | 2nd clutch (B2) | 4 | 01-09 | 110707B-180 | 97248-37704 |
| A70 | Steel .098" 5.661" id 10T | 2nd clutch (B2) | 2/3 | 01-09 | 24224385 | 97248-37604 |
| A70 | Steel .158" 3.582" id 8T | 2nd clutch (B2) | 2 | 01-09 | MGW-79170 | 97249-37904 |
| A70 | Steel .142" 5.538" id 10T | 2nd clutch (B2) | 1 | 01-09 | MGW-79038 | 97249-37504 |
| A71 | Friction .067" 6.302" od 40T | 2nd clutch (B2) | 4 | 01-04 | 24220537 | 97248-35704 |
| A71 | Friction .075" 6.302" od 40T | 2nd clutch (B2) | 4 | 05-09 | 110704A-190 | 97248-35804 |
| A73 | Steel .071" 3.582" id 8T | coast clutch (B1) | 3 | 01-09 | 24220531 | 97248-38104 |
| A74 | Friction .067" 4.260" od 34T | coast clutch (B1) | 3 | 01-04 | 24220532 | 97248-36304 |
| A74 | Friction .068" 4.255" od 34T | coast clutch (B1) | 3 | 05-09 | 110700B-175 | 97249-35404 |
| B76 | Steel .071" 5.657" id 13T | low/reverse clutch (B3) | 3/5 | 01-09 | 24220500 | 97249-38204 |
| B77 | Friction .067" 6.302" od 33T | low/reverse clutch (B3) | 4/5 | 01-04 | 90348808 | 97248-35604 |
| B77 | Friction .067" 6.302" od 33T | low/reverse clutch (B3) | 5 | 05-09 | 90348796 | 97248-35614 |
| C78 | Friction .068" 5.375" od 49T | forward clutch (C1) | 4 | 01-09 | 24220650 | 97249-36204 |
| C79 | Steel .077" 4.491" id 12T | forward clutch (C1) | 4 | 01-09 | 90542937 | 97248-38804 |

AW55-50SN•AF33-5•AF23-5• RE5F22A•AW235

AW55-50SN•AF33-5•AF23-5• RE5F22A•AW235

| ILL | DESCRIPTION | QTY | YEAR | REFERENCE # | PART # |
|----------------------------------|---|-----|-------|-------------|-------------|
| CLUTCH PLATES (CONTINUED) | | | | | |
| C80 | Friction .068" 4.255" od 34T direct clutch (C2) | 4 | 01-04 | 110700B-175 | 97249-35404 |
| C80 | Friction .059" 4.255" od 34T direct clutch (C2) | 4 | 05-09 | 24228586 | 97249-35414 |
| C81 | Steel .071" 3.582" id 12T direct clutch (C2) | 4 | 01-09 | 90348774 | 97248-39004 |
| D83 | Friction .067" 4.482" od 34T underdrive/4th/5th clutch (C3) | 4 | 01-04 | 110700A-170 | 97248-36404 |
| D83 | Friction .059" 4.482" od 34T underdrive/4th/5th clutch (C3) | 4 | 05-09 | 110700A-150 | 97249-37004 |
| D84 | Steel .071" 3.582" id 18T underdrive/4th/5th clutch (C3) | 4 | 01-09 | 110701A-180 | 97248-39104 |
| E86 | Friction .068" 5.551" od 47T 5th brake (B4)(1st/2nd/reverse clutch) | 6 | 01-09 | 24220563 | 97249-37204 |
| E87 | Steel .071" 4.898" id 12T 5th brake (B4)(1st/2nd/reverse clutch) | 6 | 01-09 | 24220562 | 97249-39304 |
| PRESSURE PLATES | | | | | |
| A90 | Pressure plate .150" 5.540" id 10T 2nd clutch | 1 | 01-09 | AE | 97249-41103 |
| A91 | Pressure plate .150" 4.491" id 12T 2nd coast clutch | 1 | 01-09 | AE | 97248-41703 |
| B92 | Pressure plate .093" 5.655" id 13T low/reverse clutch (apply) | 1 | 01-09 | AE | 97249-41403 |
| B92 | Pressure plate 5.660" id 13T low/reverse clutch (apply) | 0 | 01-09 | AE | 97249-41503 |
| B93 | Pressure plate 4.890" id 12T low/reverse clutch (backing) | 0 | 01-09 | AE | 97249-41803 |
| C95 | Pressure plate forward clutch | 1 | 01-09 | AE | 97248-41503 |
| C95 | Pressure plate .205" 12T forward clutch | 1 | 01-09 | AE | 97249-42103 |
| C96 | Pressure plate direct clutch | 1 | 01-09 | AE | 97248-41103 |
| D98 | Pressure plate 3.590" id 18T 4th/5th clutch | 0 | 01-09 | AE | 97249-43003 |
| FILTERS | | | | | |
| F102 | Filter AW55-50SN (non serviceable) | 1 | 01-09 | 24220578 | 97249-45004 |
| BANDS | | | | | |
| D105 | Band, double wrap AW55-50SN (3rd gear) | 1 | 01-09 | APC-159940 | 97249-47604 |
| BUSHINGS | | | | | |
| K13 | Kit, bushing AW50-50SN/AF33-5/AF23-5 | 1 | 01-09 | n/a | 97249-50104 |
| A108 | Bushing AW50-50SN/AF33-5/AF23-5 (pump body) | 1 | 01-09 | n/a | 46001 |
| PUMP PARTS AND PUMPS | | | | | |
| A210 | Pump, assembly AW50-50SN/AF33-5/AF23-5 | 1 | 01-09 | AE | 97249-67003 |
| A211 | Pump, body w/gears AW50-50SN/AF33-5/AF23-5 | 1 | 01-09 | AE | 97249-68003 |
| A213 | Pump, plate AW50-50SN/AF33-5/AF23-5 | 1 | 01-09 | AE | 97249-68903 |
| A215 | Pump, stator AW50-50SN/AF33-5/AF23-5 | 1 | 01-09 | AE | 97249-70003 |
| HARD PARTS | | | | | |
| B229 | Gear, drive transfer AW50-50SN/AF33-5/AF23-5 | 1 | 01-09 | AE | 97249-73603 |
| B241 | Gear, rear planetary ring (front) AW50-50SN/AF33-5/AF23-5 | 1 | 01-09 | AE | 97249-74903 |
| B243 | Planetary, rear AW50-50SN/AF33-5/AF23-5 | 1 | 01-09 | AE | 97249-75203 |
| B244 | Gear, rear sun AW50-50SN/AF33-5/AF23-5 | 1 | 01-09 | AE | 97249-75503 |
| C246 | Rear, planetary ring gear AW50-50SN/AF33-5/AF23-5 | 1 | 01-09 | AE | 97249-75803 |
| C254 | Housing, forward/direct w/shaft .844"od 2WD/non turbo | 1 | 01-09 | AE | 97249-77403 |
| C254 | Housing, forward/direct w/shaft .870"od AWD/turbo | 1 | 01-09 | AE | 97249-77503 |
| D259 | Gear, driven transfer AW50-50SN/AF33-5/AF23-5 | 1 | 01-09 | AE | 97249-78103 |
| D261 | Planetary, 4th/5th AW50-50SN/AF33-5/AF23-5 | 1 | 01-09 | AE | 97249-78403 |
| D262 | Gear, 4th/5th/underdrive ring AW50-50SN/AF33-5/AF23-5 | 1 | 01-09 | AE | 97249-78603 |
| D265 | Drum, 4th/5th/underdrive AW50-50SN/AF33-5/AF23-5 | 1 | 01-09 | AE | 97249-79303 |
| E267 | Planetary, 1st/2nd/reverse AW50-50SN/AF33-5/AF23-5 | 1 | 01-09 | AE | 97249-79603 |
| E268 | Gear, 1st/2nd/reverse ring AW50-50SN/AF33-5/AF23-5 | 1 | 01-09 | AE | 97249-79903 |
| E273 | Differential, w/spider gears w/o ring gear AW50-50SN/AF33-5/AF23-5 | 1 | 01-09 | AE | 97249-80603 |
| E274 | Gear, ring and pinion AW50-50SN/AF33-5/AF23-5 | 1 | 01-09 | AE | 97249-81003 |
| ELECTRICAL COMPONENTS | | | | | |
| F320 | Switch, PRNDL AW55-50SN | 1 | 01-09 | n/a | 97249-85004 |
| F320 | Switch, PRNDL AW55-51SN | 1 | 01-09 | n/a | 97249-85104 |
| F321 | Sensor AW55-50SN (input/output w/harness) | 1 | 01-09 | n/a | 97249-85404 |
| F324 | Harness, internal/external wiring AW55-50SN | 1 | 01-09 | n/a | 97249-85804 |
| F324 | Harness, internal/external wiring AW55-51SN | 1 | 01-09 | n/a | 97249-86004 |
| n/i | Sensor AW55-51SN (input/output w/o harness) | 2 | 01-09 | 93191689 | 97249-91204 |



AW60-40LE•AF13•AF17-AS17-4•AW60-41SN

AW60-40LE•41SN•AF13•17-AS17-4

| ILL | DESCRIPTION | | QTY | YEAR | REFERENCE # | PART # |
|--------------------------------------|------------------------------|--|-----|-------|--------------|-------------|
| TECHNICAL MANUALS | | | | | | |
| K53 | Tech manual AW60-40LE | dis/assembly diagnosis/troubleshooting | 1 | 93-09 | n/a | 010-479 |
| REBUILDER KITS | | | | | | |
| K4 | Master deluxe rebuild kit | AW60-40LE | 1 | 92-03 | AE | 93234-10104 |
| K4 | Master deluxe rebuild kit | AW60-41SN | 1 | 98-09 | AE | 93234-10114 |
| K5 | Master kit w/steels | AW60-40LE | 1 | 92-03 | AE | 93234-11104 |
| K5 | Master kit w/steels | AW60-41SN | 1 | 98-09 | AE | 93234-11114 |
| K6 | Master kit w/o steels | AW60-40LE | 1 | 92-03 | AE | 93234-12104 |
| K6 | Master kit w/o steels | AW60-41SN | 1 | 98-09 | AE | 93234-12114 |
| K7 | O/H gasket set w/seals-rings | AW60-40LE | 1 | 92-03 | 2321 | 93234-13104 |
| K13 | Kit, valve body gaskets | AW60-40LE (AF13-20) | 1 | 92-99 | FDB-4784 | 93234-16004 |
| K13 | Kit, valve body gaskets | AW60-40LE (AF17) | 1 | 99-03 | FDB-4785 | 93234-16204 |
| GASKETS AND RUBBER COMPONENTS | | | | | | |
| A3 | O'ring | AW60-40LE (pump body to case) | 1 | 92-09 | 90444666 | 93234-21204 |
| G31 | O'ring | AW60-40LE (input speed sensor) | 1 | 92-09 | 94385669 | 93234-23804 |
| G32 | O'ring | AW60-40LE (output speed sensor) | 1 | 92-09 | 94385669 | 93234-23804 |
| n/i | Multi lip seal (boot) | AW60-40LE (filler tube to case) | 1 | 92-09 | 1259475 | 13925 |
| n/i | Seal | AW60-40LE (valve body to case) | 2 | 92-09 | 90348723 | 93234-29204 |
| n/i | Seal | AW60-40LE (end housing to case) | 4 | 92-09 | 90542614 | 93234-29404 |
| n/i | Seal | front case half to rear case half | 3 | 92-09 | 903385669 | 93234-29604 |
| METAL CLAD SEALS | | | | | | |
| A40 | Seal, metal clad | AW60-40LE (front) | 1 | 92-09 | 90348749 | 46200 |
| G42 | Seal, metal clad | AW60-40LE (axle right) | 1 | 98-09 | 27441-600G10 | 93234-30204 |
| G43 | Seal, metal clad 12x22x7mm | AW60-40LE (manual lever shaft) | 1 | 92-09 | 3520746-3 | 46202 |
| G44 | Seal, metal clad | axle right/left (right to 1997) | 2 | 92-09 | 90486078 | 93234-30104 |
| SEALING RINGS | | | | | | |
| K10 | Kit, sealing ring | AW60-40LE | 1 | 92-09 | FDB-3417 | 93234-31604 |
| A50 | Ring, sealing | AW60-40LE (stator support) | 2 | 92-09 | 90444665 | 93234-33304 |
| B52 | Ring, sealing | AW60-40LE (input shaft small) | 1 | 92-09 | 90348782 | 93234-33504 |
| E54 | Ring, sealing (butt cut) | AW60-40LE (forward housing) | 2 | 92-09 | 90444542 | 93234-33804 |
| E54 | Ring, sealing (scarf cut) | AW60-40LE (forward housing) | 1 | 92-09 | 90444674 | 93234-34004 |
| G57 | Ring, sealing | AW60-40LE (end housing) | 5 | 92-09 | 90444631 | 93234-34304 |
| CLUTCH PLATES | | | | | | |
| A60 | Steel .071" 4.100" id 6T | AW60-42LE (reverse clutch) | 2 | 95-09 | 90444686 | 93234-37504 |
| A60 | Steel .071" 4.100" id 15T | AW60-41SN (reverse clutch) | 2 | 98-09 | 09120554 | 93234-37514 |
| A61 | Friction .071" 4.962" od 44T | AW60-42LE (reverse clutch) | 2 | 95-09 | 90444546 | 93234-35104 |
| A61 | Friction .071" 5.250" od 44T | AW60-41SN (reverse clutch) | 2 | 98-09 | 09120553 | 93234-35114 |
| B63 | Friction .067" 6.302" od 33T | all (low/reverse clutch) | 4 | 95-09 | 24220499 | 97248-35604 |
| B64 | Steel .071" 5.660" id 15T | all (low/reverse clutch) | 2 | 95-09 | 90444973 | 93234-37604 |
| D67 | Friction .067" 5.600" od 51T | all (3-4/overdrive clutch) | 2 | 95-09 | 90444669 | 93234-35304 |
| D68 | Steel .071" 4.680" id 36T | all (3-4/overdrive clutch) | 2/3 | 95-97 | 90444885 | 93234-37704 |
| D68 | Steel .098" 4.680" id 36T | all (3-4/overdrive clutch) | 1 | 98-09 | 115707-250 | 93234-37714 |
| D69 | Friction .067" 4.962" od 44T | all (coast clutch) | 2 | 95-09 | 90444685 | 93234-35404 |
| D70 | Steel .071" 4.092" id 16T | all (coast clutch) | 2/3 | 95-09 | 90444863 | 93234-37804 |
| E71 | Friction .067" 5.600" od 51T | all (forward clutch) | 2 | 95-09 | 90444669 | 93234-35304 |
| E72 | Steel .071" 4.680" id 20T | all (forward clutch) | 3 | 95-09 | 115701 | 93234-37904 |
| E72 | Steel .063" 4.680" id 20T | forward clutch | 3 | 02-03 | 115701-160 | 93234-38004 |
| | | | | | | |
| | | | | | | |
| | | | | | | |
| | | | | | | |
| | | | | | | |
| | | | | | | |
| | | | | | | |
| | | | | | | |
| | | | | | | |

AW60-40LE•AF13•AF17-AS17-4•AW60-41SN

AW60-40LE•41SN•AF13•AF17-AS17-4

| ILL | DESCRIPTION | QTY | YEAR | REFERENCE # | PART # |
|-------------------------------------|---|-----|-------|-------------|-------------|
| PRESSURE PLATES | | | | | |
| B76 | Pressure plate reverse clutch | 1 | 95-09 | AE | 93234-41103 |
| B77 | Pressure plate low/reverse clutch (apply) | 1 | 95-09 | AE | 93234-41403 |
| B78 | Pressure plate low/reverse clutch | 1 | 95-09 | AE | 93234-41603 |
| D80 | Pressure plate 3-4/overdrive clutch | 1 | 95-09 | AE | 93234-42203 |
| D81 | Pressure plate 3-4/overdrive clutch (apply) | 1 | 95-09 | AE | 93234-42503 |
| D82 | Pressure plate coast clutch | 1 | 95-09 | AE | 93234-42903 |
| E84 | Pressure plate forward clutch | 1 | 95-09 | AE | 93234-43203 |
| FILTERS | | | | | |
| G90 | Filter AW60-40LE | 1 | 92-09 | 26445-60G10 | 93234-45004 |
| BANDS | | | | | |
| A95 | Band, flex AW60-40LE (2nd/4th) | 1 | 95-09 | 26971-65G10 | 93234-47504 |
| BUSHINGS | | | | | |
| K13 | Kit, bushing AW60-40LE | 1 | 95-09 | AE | 93234-50004 |
| A101 | Bushing AW60-40LE (pump body) | 1 | 95-09 | n/a | 93234-50604 |
| A102 | Bushing AW60-40LE (pump stator) | 2 | 95-09 | n/a | 93234-50704 |
| C107 | Bushing AW60-40LE (rear planetary front) | 1 | 95-09 | n/a | 93234-51004 |
| C108 | Bushing AW60-40LE (rear planetary rear) | 1 | 95-09 | n/a | 93234-51104 |
| C109 | Bushing AW60-40LE (rear sun gear front) | 1 | 95-09 | n/a | 93234-51204 |
| C110 | Bushing AW60-40LE (rear sun gear rear) | 1 | 95-09 | n/a | 93234-51204 |
| WASHERS/BEARINGS/RACES/SHIMS | | | | | |
| K12 | Kit, thrust bearing AW60-40LE | 1 | 95-09 | AE | 93234-55104 |
| A120 | Thrust washer stator to reverse drum | 1 | 55-09 | n/a | 93234-56104 |
| A121 | Bearing, thrust stator to reverse clutch hub | 1 | 95-09 | n/a | 93234-56204 |
| A122 | Bearing, caged type stator to reverse drum (presses in drum) | 1 | 95-09 | n/a | 93234-56304 |
| B124 | Bearing, thrust (open face 2 piece) input shaft w/rev hub to race | 1 | 95-09 | n/a | 93234-56604 |
| B125 | Race, thrust bearing thrust bearing to pressure plate | 1 | 55-09 | n/a | 93234-56804 |
| B126 | Thrust washer reverse pressure plate to drive gear | 1 | 95-09 | n/a | 93234-57004 |
| B127 | Bearing, ball type w/retainer driven gear to rear case half | 1 | 95-09 | n/a | 93234-57204 |
| C130 | Thrust washer inner sprag race to race (thrust bearing) | 1 | 95-09 | n/a | 93234-57404 |
| C131 | Race, thrust bearing thrust washer to thrust bearing | 1 | 95-09 | n/a | 93234-57504 |
| C132 | Bearing, thrust (open face 2 piece) race to front hub | 1 | 55-09 | n/a | 93234-57604 |
| C136 | Washer, spacer sprag cap to front ring gear | 1 | 95-09 | n/a | 93234-58004 |
| C137 | Bearing, thrust front hub to race (thrust bearing) | 1 | 95-09 | n/a | 93234-58204 |
| C138 | Race, thrust bearing (4 tabs) thrust bearing to planetary | 1 | 95-09 | n/a | 93234-58504 |
| C139 | Race, thrust bearing (4 tabs) planetary to thrust bearing | 1 | 95-09 | n/a | 93234-58704 |
| C141 | Bearing, thrust (open face 2 piece) race to rear hub | 1 | 95-09 | n/a | 93234-58904 |
| C142 | Bearing, thrust (open face 2 piece) sun gear to race (thrust bearing) | 1 | 95-09 | n/a | 93234-59204 |
| C143 | Race, thrust bearing thrust bearing to rear hub | 1 | 95-09 | n/a | 93234-59504 |
| D149 | Thrust washer rear hub to 3-4/overdrive/coast housing | 1 | 95-09 | n/a | 93234-59904 |
| E151 | Bearing, thrust (open face 2 piece) 3-4/od/coast hsg to race (thrust bearing) | 1 | 95-09 | n/a | 93234-60104 |
| E152 | Race, thrust bearing thrust bearing to forward housing | 1 | 95-09 | n/a | 93234-60504 |
| E154 | Bearing, thrust forward housing to end housing | 1 | 95-09 | n/a | 93234-60604 |
| E156 | Bearing, thrust (open face 2 piece) front case half to race (thrust bearing) | 1 | 95-09 | n/a | 93234-61004 |
| E157 | Bearing, caged type front case half to race (caged bearing) | 1 | 95-09 | n/a | 93234-61104 |
| E158 | Race, thrust bearing thrust bearing to pinion shaft | 1 | 95-09 | n/a | 93234-61204 |
| E159 | Race, caged bearing pinion shaft to caged bearing | 1 | 95-09 | n/a | 93234-61304 |
| E161 | Race, caged bearing pinion shaft to caged bearing | 1 | 95-09 | n/a | 93234-61304 |
| E162 | Race, thrust bearing driven gear to thrust bearing | 1 | 95-09 | n/a | 93234-61404 |
| E163 | Bearing, thrust (open face 2 piece) race (thrust bearing) to caged bearing | 1 | 95-09 | n/a | 93234-61504 |
| E164 | Bearing, caged type rear case half to race (caged bearing) | 1 | 95-09 | n/a | 93234-61104 |
| F167 | Bearing, cup/cone type differential housing to front case half | 1 | 95-09 | n/a | 93234-61604 |
| F169 | Bearing, cup/cone type differential housing to rear case half | 1 | 95-09 | n/a | 93234-61604 |
| F171 | Shim caged bearing to rear case half | sel | 95-09 | n/a | 93234-61704 |

| ILL | DESCRIPTION | QTY | YEAR | REFERENCE # | PART # |
|-----------------------------|--|-----|-------|-------------|-------------|
| SNAP RINGS | | | | | |
| A185 | Snap ring reverse clutch retainer w/springs | 1 | 95-09 | AE | 93234-62103 |
| A186 | Snap ring reverse clutch pressure plate (bottom) | 1 | 95-09 | AE | 93234-62503 |
| B188 | Snap ring reverse clutch pressure plate (top) | 1 | 95-09 | AE | 93234-62903 |
| E190 | Snap ring drive gear to rear housing | 1 | 95-09 | AE | 93234-63203 |
| B192 | Snap ring low/reverse clutch retainer w/springs | 1 | 95-09 | AE | 93234-63303 |
| B193 | Snap ring low/reverse clutch pressure plate | 1 | 95-09 | AE | 93234-63503 |
| C195 | Snap ring low/reverse sprag | 1 | 95-09 | AE | 93234-63803 |
| C196 | Snap ring front ring gear hub | 1 | 95-09 | AE | 93234-64103 |
| C198 | Snap ring 3-4/overdrive clutch hub | 1 | 95-09 | AE | 93234-64503 |
| D199 | Snap ring rear ring gear hub | 1 | 95-09 | AE | 93234-65003 |
| D200 | Snap ring forward sprag | 1 | 95-09 | AE | 93234-65403 |
| D201 | Snap ring 3-4/overdrive clutch pressure plate | 1 | 95-09 | AE | 93234-65803 |
| D202 | Snap ring coast clutch pressure plate | 1 | 95-09 | AE | 93234-66003 |
| D203 | Snap ring coast clutch retainer w/springs | 1 | 95-09 | AE | 93234-66303 |
| E205 | Snap ring forward clutch pressure plate | 1 | 95-09 | AE | 93234-66503 |
| E206 | Snap ring forward clutch retainer w/springs | 1 | 95-09 | AE | 93234-66803 |
| PUMP PARTS AND PUMPS | | | | | |
| A215 | Pump assembly need exchange | 1 | 95-09 | AE | 93234-67003 |
| HARD PARTS | | | | | |
| A220 | Drum, reverse clutch AW60-40LE | 1 | 95-09 | AE | 93234-72303 |
| A221 | Piston, reverse clutch AW60-40LE | 1 | 95-09 | AE | 93234-72603 |
| A222 | Retainer, w/springs AW60-40LE (reverse clutch) | 1 | 95-09 | AE | 93234-72703 |
| B223 | Shaft, input w/reverse hub AW60-40LE | 1 | 95-09 | AE | 93234-73003 |
| B224 | Gear, drive transfer AW60-40LE | 1 | 95-09 | AE | 93234-73203 |
| B228 | Nut, drive transfer gear AW60-40LE | 1 | 95-09 | AE | 93234-73403 |
| B230 | Piston, low/reverse clutch AW60-43LE | 1 | 95-09 | AE | 93234-73503 |
| B231 | Retainer, w/springs AW60-40LE (low/reverse clutch) | 1 | 95-09 | AE | 93234-73603 |
| C233 | Race, inner AW60-40LE (low/reverse sprag) | 1 | 95-09 | AE | 93234-74003 |
| C234 | Gear, front ring AW60-40LE | 1 | 95-09 | AE | 93234-74503 |
| C235 | Hub, front ring gear AW60-40LE | 1 | 95-09 | AE | 93234-74703 |
| C237 | Planetary AW60-40LE | 1 | 95-09 | AE | 93234-75003 |
| C238 | Shaft, sun gear AW60-40LE | 1 | 95-09 | AE | 93234-75503 |
| C239 | Hub, 3-4/overdrive clutch AW60-40LE | 1 | 95-09 | AE | 93234-76003 |
| D241 | Hub, rear ring gear AW60-40LE | 1 | 95-09 | AE | 93234-76303 |
| D242 | Gear, front ring AW60-40LE | 1 | 95-09 | AE | 93234-76503 |
| D243 | Race, outer forward sprag AW60-40LE | 1 | 95-09 | AE | 93234-77003 |
| D245 | Retainer, w/springs AW60-40LE (3-4/overdrive clutch) | 1 | 95-09 | AE | 93234-77503 |
| D246 | Piston, coast clutch AW60-40LE | 1 | 95-09 | AE | 93234-78003 |
| D247 | Piston, 3-4/overdrive clutch AW60-40LE | 1 | 95-09 | AE | 93234-78303 |
| D248 | Housing, 3-4/overdrive/coast clutch AW60-40LE | 1 | 95-09 | AE | 93234-78603 |
| E250 | Retainer, w/springs AW60-40LE (forward clutch) | 1 | 95-09 | AE | 93234-78803 |
| E251 | Piston, forward clutch AW60-40LE | 1 | 95-09 | AE | 93234-78903 |
| E252 | Housing, forward clutch AW60-40LE | 1 | 95-09 | AE | 93234-79503 |
| E255 | Shaft, pinion AW60-40LE | 1 | 95-09 | AE | 93234-80303 |
| E255 | Gear, driven transfer AW60-40LE | 1 | 95-09 | AE | 93234-80603 |
| E256 | Nut, transfer gear to pinion shaft AW60-40LE | 1 | 95-09 | AE | 93234-81003 |
| F259 | Differential assembly AW60-40LE | 1 | 95-09 | AE | 93234-81603 |
| F260 | Gear, ring differential AW60-40LE | 1 | 95-09 | AE | 93234-82003 |
| G262 | Spring, 2nd/4th servo AW60-40LE | 1 | 95-09 | AE | 93234-83403 |
| G268 | Servo, assembly 2nd/4th AW60-40LE | 1 | 95-09 | AE | 93234-83503 |
| G270 | Roller, detent (spring) AW60-40LE | 1 | 95-09 | AE | 93234-82903 |
| G274 | Pin, park pawl AW60-40LE | 1 | 95-09 | AE | 93234-83003 |
| G275 | Spring, park pawl AW60-40LE | 1 | 95-09 | AE | 93234-83203 |

AW60-40LE•AF13•AF17-AS17-4•AW60-41SN

AW60-40LE•41SN•AF13•AF17-AS17-4

| ILL | DESCRIPTION | | QTY | YEAR | REFERENCE # | PART # |
|-------------------------------|------------------------------|--|-----|-------|-------------|-------------|
| HARD PARTS (CONTINUED) | | | | | | |
| G276 | Pawl, park | AW60-40LE | 1 | 95-09 | AE | 93234-83103 |
| G283 | Cone, rooster | AW60-40LE | 1 | 95-09 | AE | 93234-82803 |
| G285 | Shaft, manual lever | AW60-40LE | 1 | 95-09 | AE | 93234-82703 |
| G295 | Housing, end (cover) | AW60-40LE | 1 | 95-09 | AE | 93234-80103 |
| n/i | Baffle, oil | AW60-40LE | 1 | 95-09 | AE | 93234-82403 |
| n/i | Baffle, oil | AW60-40LE | 1 | 95-09 | AE | 93234-82503 |
| n/i | Baffle, oil | AW60-40LE | 1 | 95-09 | AE | 93234-82503 |
| n/i | Baffle, oil | AW60-40LE | 1 | 95-09 | AE | 93234-82603 |
| ELECTRICAL COMPONENTS | | | | | | |
| G300 | Sensor, turbine speed | AW60-40LE | 1 | 95-09 | n/a | 93234-90404 |
| G301 | Switch, MLPS (neutral start) | AW60-40LE | 1 | 95-09 | n/a | 93234-87004 |
| G302 | Sensor, output speed | AW60-40LE | 1 | 95-09 | n/a | 93234-90104 |
| G303 | Harness, internal wiring | AW60-40LE | 1 | 95-09 | n/a | 93234-86504 |
| G304 | Solenoid | AW60-40LE (EPC)(pressure control duty) | 1 | 95-09 | n/a | 93234-85504 |
| G305 | Solenoid | AW60-40LE (A/B shift) | 2 | 95-09 | n/a | 93234-85304 |
| G308 | Solenoid | AW60-40LE (lock-up/TCC) | 1 | 95-09 | n/a | 93234-85104 |
| n/i | Harness, external wiring | AW60-40LE | 1 | 95-09 | n/a | 93234-86704 |
| SPRAGS | | | | | | |
| C315 | Sprag | AW60-40LE (low/reverse) | 1 | 95-09 | n/a | 93234-94004 |
| D317 | Sprag | AW60-40LE (forward) | 1 | 95-09 | n/a | 93234-94104 |
| NOTES | | | | | | |
| | | | | | | |
| | | | | | | |
| | | | | | | |
| | | | | | | |
| | | | | | | |
| | | | | | | |
| | | | | | | |
| | | | | | | |
| | | | | | | |
| | | | | | | |
| | | | | | | |
| | | | | | | |
| | | | | | | |
| | | | | | | |
| | | | | | | |
| | | | | | | |
| | | | | | | |
| | | | | | | |
| | | | | | | |
| | | | | | | |
| | | | | | | |

NEW FROM TRANSGO®

SK® AWF21

Reduces/Corrects/Prevents

Rough shifts, Bump-Bump downshifts above 30 mph hot, Part throttle downshift bang, Flares during up-shifts & kick-down, Rough coast downshifts. No pressure rise, TCC slip/shudder. Poor shift quality.

Fits: 05-06 Ford Fusion & 500, 05-06 Mazda 6
06 Lincoln Zephyr, 06 Mercury Milan,
05-06 Mercury Montego



5R110W-HD2 Reprogramming Kit™

Reduces/Corrects/Prevents

Case Lugs Blow Out-Runaway Reverse Pressure Slips or No Reverse-Neutrals at stop sign. Adds capacity for upgrade engine HP & Towing.

Fits:

Ford Trucks
From 2003-2007.
Does Not Fit 2008-2009.



U151-23-SR

Reduces/Corrects/Prevents

Your fixing Shuttle or Bind-up 2-3 Shift: Caused by the Direct Clutch Control Valve sticking or binding in the bore.

Fits:

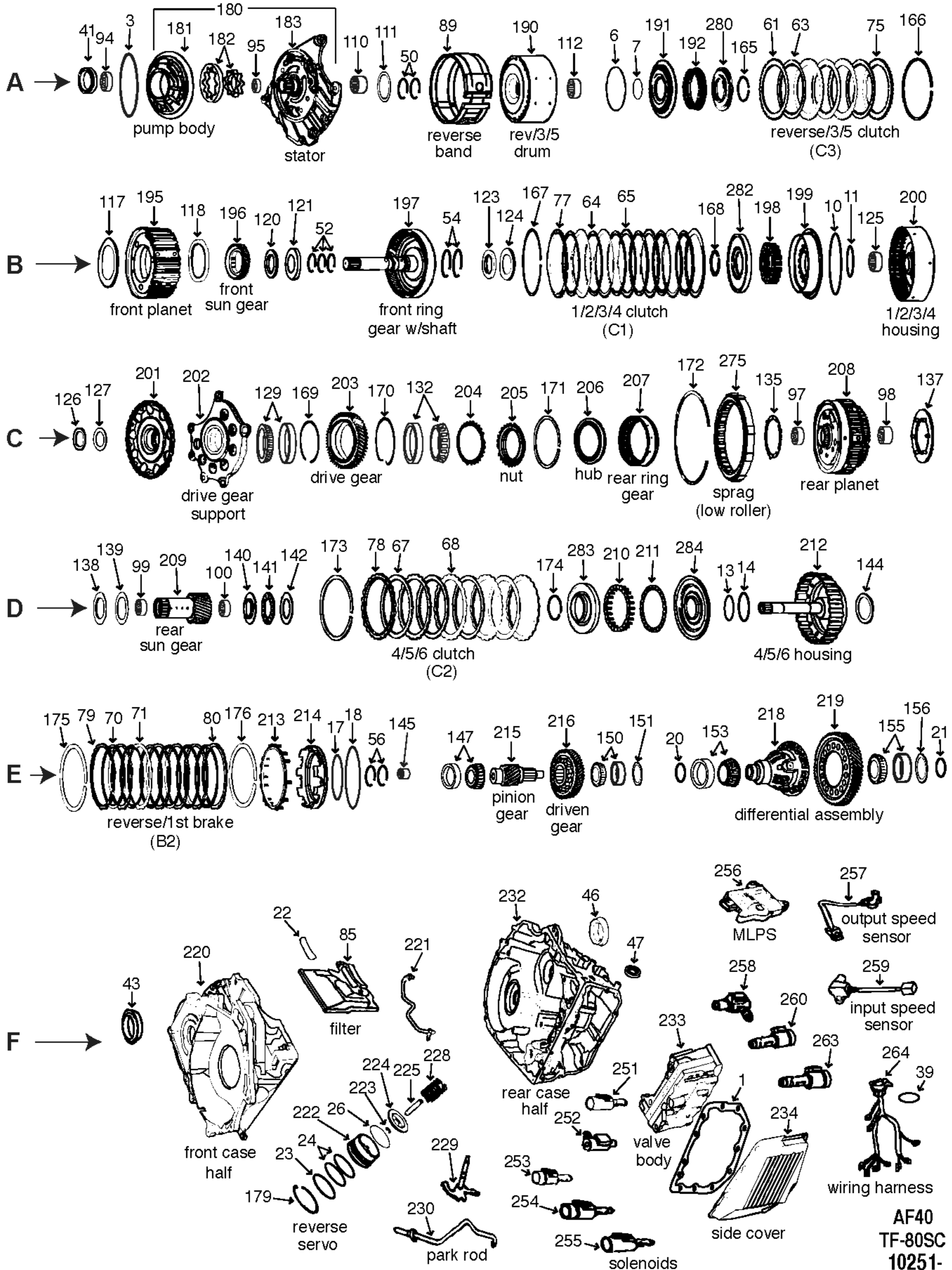
Toyota 5spd: Avalon 06-07, Camry 3.0 & 3.3L 04-06
Highlander 3.3 & 3.5L 04-08, Rav-4 3.5L 07-08
Sienna 3.3 & 3.5L 04-08, Solara 3.3L 04-07
Lexus 5spd: ES330 3.3L 04-06, RX330 3.3L 04-06, RX350 3.5L 07-08

It just ain't FIXED without it!



Product Support
626-443-7451





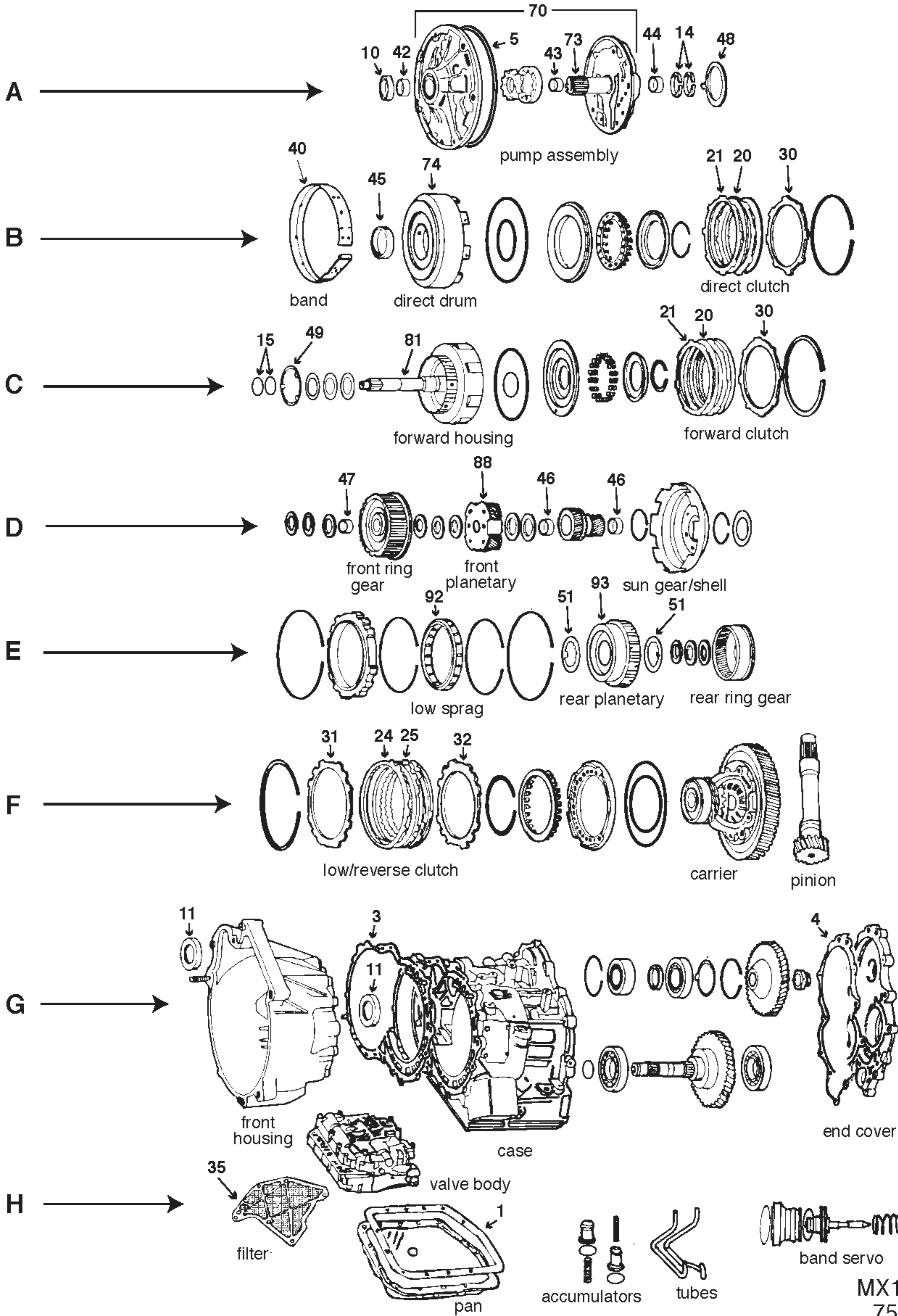
AF40
 TF-80SC
 10251-

| ILL | DESCRIPTION | QTY | YEAR | REFERENCE # | PART # |
|--------------------------------------|--|-----|-------|-------------|-------------|
| REBUILDER KITS | | | | | |
| K5 | Master kit w/steels TF-80SC/AF40-6 | 1 | 09-10 | AE | 10251-11004 |
| K5 | Master kit w/steels TF-80SC/AF40-6 | 1 | 09-10 | AE | 10251-11104 |
| K6 | Master kit w/o steels TF-80SC/AF40-6 | 1 | 09-10 | AE | 10251-12004 |
| K6 | Master kit w/o steels TF-80SC/AF40-6 | 1 | 09-10 | AE | 10251-12104 |
| K7 | O/H gasket set w/seals-rings TF-80SC/AF40-6 | 1 | 09-10 | AE | 10251-13004 |
| K7 | O/H gasket set w/seals-rings TF-80SC/AF40-6 | 1 | 09-10 | DP2512 | 10251-13104 |
| GASKETS AND RUBBER COMPONENTS | | | | | |
| F1 | Gasket, oil pan TF-80SC/AF40 (Farpak®) side cover | 1 | 09-10 | B11527 | 97251-19104 |
| METAL CLAD SEALS | | | | | |
| F41 | Seal, metal clad front | 1 | 09-10 | B37082 | 75250-30004 |
| F43 | Seal, metal clad right axle | 1 | 09-10 | B37092 | 10251-30104 |
| F46 | Seal, metal clad left axle | 1 | 09-10 | B37093 | 10251-30204 |
| F47 | Seal, metal clad 12x22x7mm manual shift shaft | 1 | 09-10 | n/a | 46202 |
| SEALING RINGS | | | | | |
| K10 | Kit, sealing ring TF-80SC | 1 | 09-10 | n/a | 75250-31504 |
| CLUTCH PLATES | | | | | |
| A61 | Steel .091" 5.557" id 36T (sets of 2) C3 (reverse/3rd/5th clutch) | 4 | 09-10 | 197705-230 | 97251-37504 |
| A63 | Friction .067" 6.523" od 54T C3 (reverse/3rd/5th clutch) | 4 | 09-10 | 197704-170 | 97251-35104 |
| B64 | Friction .067" 6.186" od 54T C1 (1st/2nd/3rd/4th clutch) | 6 | 09-10 | 197700-170 | 97251-35204 |
| B65 | Steel .071" 5.558" id 40T C1 (1st/2nd/3rd/4th clutch) | 6 | 09-10 | 197701-180 | 97251-37604 |
| D67 | Friction .067" 6.293" od 55T C2 (4th/5th/6th clutch) | 3 | 09-10 | 197702-170 | 97251-35304 |
| D68 | Steel .071" 5.637" id 36T C2 (4th/5th/6th clutch) | 3 | 09-10 | 197703-180 | 97251-37704 |
| E70 | Friction .067" 7.306" od 60T B2 (reverse/1st engine brake clutch) | 5 | 09-10 | 197706-170 | 97251-35404 |
| E71 | Steel .071" 6.811" id 14T (sets of 2) B2 (reverse/1st engine brake clutch) | 5 | 09-10 | 197707-180 | 97251-37804 |
| PRESSURE PLATES | | | | | |
| A75 | Pressure plate 36T (stepped) C3 (reverse/3rd/5th clutch) | 1 | 09-10 | AE | 97251-41103 |
| B77 | Pressure plate 40T (stepped) C1 (1st/2nd/3rd/4th clutch) | 1 | 09-10 | AE | 97251-41503 |
| E78 | Pressure plate 36T (stepped) C2 (4th/5th/6th clutch) | 1 | 09-10 | AE | 97251-42003 |
| E79 | Pressure plate 14T (backing)(sets of 2) B2 (reverse/1st engine brake) | 1 | 09-10 | AE | 97251-42503 |
| E80 | Pressure plate 14T (apply)(sets of 2) B2 (reverse/1st engine brake) | 1 | 09-10 | AE | 97251-43003 |
| FILTERS | | | | | |
| F85 | Filter TF-80SC/AF40 | 1 | 09-10 | n/a | 97251-45004 |
| BANDS | | | | | |
| A89 | Band TF-80SC | 1 | 09-10 | n/a | 75250-47504 |
| WASHERS/BEARINGS/RACES/SHIMS | | | | | |
| A114 | Washer, thrust pump support to drum | 1 | 09-11 | n/a | 97251-56304 |
| B115 | Bearing, thrust front sun gear to ring gear | 1 | 09-11 | n/a | 97251-56804 |
| B116 | Race, thrust front sun gear to ring gear | 1 | 09-11 | n/a | 97251-57004 |
| B117 | Washer, thrust front sun gear to ring gear | 1 | 09-11 | n/a | 97251-57204 |
| B118 | Washer, thrust front planetary to ring gear | 1 | 09-11 | n/a | 97251-57504 |
| B119 | Race, thrust front planetary to ring gear | 1 | 09-11 | n/a | 97251-57704 |
| B120 | Bearing, thrust front planetary to ring gear | 1 | 09-11 | n/a | 97251-57804 |
| B121 | Race, thrust front planetary to ring gear | 1 | 09-11 | n/a | 97251-58004 |
| B123 | Bearing, thrust front ring gear to housing | 1 | 09-11 | n/a | 97251-58204 |
| B124 | Race, thrust front ring gear to housing | 1 | 09-11 | n/a | 97251-58304 |
| C126 | Race, thrust drive shell to housing | 1 | 09-11 | n/a | 97251-58504 |
| C127 | Bearing, thrust drive shell to housing | 1 | 09-11 | n/a | 97251-58604 |
| C129 | Bearing, cup/cone drive gear (front) | 1 | 09-11 | n/a | 97251-58704 |
| C132 | Bearing, cup/cone drive gear (rear) | 1 | 09-11 | n/a | 97251-58704 |
| C134 | Washer, thrust rear ring gear to planetary | 1 | 09-11 | n/a | 97251-58804 |
| C135 | Washer, thrust rear ring gear to planetary | 1 | 09-11 | n/a | 97251-58904 |
| C137 | Washer, thrust rear planetary | 1 | 09-11 | n/a | 97251-59204 |
| D138 | Bearing, thrust rear sun gear to planetary | 1 | 09-11 | n/a | 97251-59304 |

AF40•TF-80SC•AF40-6

AF40•TF-80SC•AF40-6

| ILL | DESCRIPTION | QTY | YEAR | REFERENCE # | PART # |
|---|---|-----|-------|-------------|-------------|
| WASHERS/BEARINGS/RACES/SHIMS (CONTINUED) | | | | | |
| D139 | Race, thrust rear sun gear to planetary | 1 | 09-11 | n/a | 97251-59404 |
| D140 | Race, thrust rear sun gear to housing | 1 | 09-11 | n/a | 97251-59504 |
| D141 | Bearing, thrust rear sun gear to housing | 1 | 09-11 | n/a | 97251-59604 |
| D142 | Race, thrust rear sun gear to housing | 1 | 09-11 | n/a | 97251-59704 |
| D144 | Bearing, thrust 4/5/6 housing to case | 1 | 09-11 | n/a | 97251-59904 |
| E147 | Bearing, cup/cone pinion gear (front) | 1 | 09-11 | n/a | 97251-60104 |
| E150 | Bearing, cup/cone pinion gear (rear) | 1 | 09-11 | n/a | 97251-60204 |
| E151 | Washer, shim differential bearing | sel | 09-11 | n/a | 97251-60504 |
| E153 | Bearing, cup/cone differential housing | 1 | 09-11 | n/a | 97251-60704 |
| E155 | Bearing, cup/cone differential housing (ring gear side) | 1 | 09-11 | n/a | 97251-60904 |
| E156 | Washer, shim differential bearing | sel | 09-11 | n/a | 97251-61004 |
| SNAP RINGS | | | | | |
| A165 | Snap ring C3 clutch spring retainer | 1 | 09-10 | AE | 97251-62403 |
| A166 | Snap ring C3 clutch pressure plate | 1 | 09-10 | AE | 97251-62503 |
| B168 | Snap ring C1 clutch pressure plate | 1 | 09-11 | AE | 97251-62803 |
| B169 | Snap ring C1 clutch spring retainer | 1 | 09-11 | AE | 97251-63003 |
| C171 | Snap ring seat for drive gear bearings | 1 | 09-11 | AE | 97251-63503 |
| C172 | Snap ring sprag in case | 1 | 09-11 | AE | 97251-63803 |
| D173 | Snap ring C2 clutch pressure plate | 1 | 09-11 | AE | 97251-64103 |
| D174 | Snap ring C2 clutch spring retainer | 1 | 09-11 | AE | 97251-64303 |
| E176 | Snap ring B2 clutch pressure plate | 1 | 09-11 | AE | 97251-64603 |
| F179 | Snap ring reverse servo cover | 1 | 09-11 | AE | 97251-65103 |
| PUMP PARTS AND PUMPS | | | | | |
| A180 | Pump assembly AF40-6 (AWD) | 1 | 09-11 | AE | 97251-67003 |
| A181 | Body, pump w/gears AF40-6 (AWD) | 1 | 09-11 | AE | 97251-67503 |
| A182 | Gears, pump (inner/outer) AF40-6 (AWD) | 1 | 09-11 | AE | 97251-68104 |
| A183 | Support, pump w/shaft AF40-6 (AWD) | 1 | 09-11 | AE | 97251-68503 |
| HARD PARTS | | | | | |
| A190 | Drum, reverse/3/5th clutch AF40-6 (AWD) | 1 | 09-10 | AE | 97251-72303 |
| A191 | Piston, reverse/3/5th clutch AF40-6 (AWD) | 1 | 09-11 | AE | 97251-72503 |
| A192 | Retainer, w/spring AF40-6 (AWD) | 1 | 09-11 | AE | 97251-72603 |
| B195 | Gear, front sun AF40-6 (AWD) | 1 | 09-11 | AE | 10251-73003 |
| B196 | Planetary, front AF40-6 (AWD) | 1 | 09-11 | AE | 10251-73203 |
| B197 | Gear, front ring (w/shaft) AF40-6 (AWD) | 1 | 09-11 | AE | 10251-73503 |
| B198 | Retainer, w/springs C1 clutch | 1 | 09-11 | AE | 97251-73703 |
| B199 | Piston, C1 clutch AF40-6 (AWD) | 1 | 09-11 | AE | 97251-73803 |
| B200 | Housing, C1 clutch 1/2/3/4th | 1 | 09-11 | AE | 97251-74003 |
| C201 | Shell, drive AF40-6 (AWD) | 1 | 09-11 | AE | 97251-74303 |
| C202 | Support, drive gear AF40-6 (AWD) | 1 | 09-11 | AE | 97251-74603 |
| C203 | Gear, drive AF40-6 (AWD) | 1 | 09-11 | AE | 10251-74903 |
| C240 | Retainer, drive gear nut AF40-6 (AWD) | 1 | 09-11 | AE | 97251-75103 |
| C205 | Nut, drive gear AF40-6 (AWD) | 1 | 09-11 | AE | 97251-75203 |
| C206 | Gear, rear ring AF40-6 (AWD) | 1 | 09-11 | AE | 10251-75503 |
| C207 | Planetary, rear AF40-6 (AWD) | 1 | 09-11 | AE | 10251-75803 |
| D208 | Gear, rear sun AF40-6 (AWD) | 1 | 09-11 | AE | 10251-76203 |
| D209 | Retainer, w/springs C2 clutch | 1 | 09-11 | AE | 97251-76503 |
| D210 | Retainer, spring seat AF40-6 (AWD) | 1 | 09-11 | AE | 97251-76603 |
| D212 | Housing, C2 clutch 4/5/6th clutch | 1 | 09-11 | AE | 97251-77003 |
| E213 | Retainer, w/springs B2 (clutch reverse/1st brake) | 1 | 09-11 | AE | 97251-77304 |
| E214 | Piston, B2 clutch clutch reverse/1st brake | 1 | 09-11 | AE | 97251-77403 |
| E215 | Gear, pinion AF40-6 (AWD) | 1 | 09-11 | AE | 10251-77503 |
| E216 | Gear, driven AF40-6 (AWD) | 1 | 09-11 | AE | 10251-77803 |
| E218 | Differential assembly w/o ring gear | 11 | 09-11 | AE | 10251-78003 |



MX17/A210
75000M

| ILL | DESCRIPTION | | QTY | YEAR | REFERENCE # | PART # |
|--------------------------------------|---|----------------------------------|-----|-------|-------------|-----------|
| TECHNICAL MANUALS | | | | | | |
| K53 | Tech manual MX17 dis/assembly | diagnosis/troubleshooting | 1 | 85-01 | 83-SPR3TM | 010-424 |
| REBUILDER KITS | | | | | | |
| K5 | Master kit w/steels | MX17/A210 | 1 | 85-01 | AE | K7500M |
| K5 | Master kit w/steels | Daihatsu | 1 | 88-92 | AE | K7500H |
| K6 | Master kit w/o steels | MX17/A210 | 1 | 85-01 | AE | K7500M-LS |
| K6 | Master kit w/o steels | Daihatsu | 1 | 88-92 | AE | K7500H-LS |
| K7 | O/H gasket set w/seals-rings | MX17/A210 | 1 | 85-01 | AE | K75900M |
| K7 | O/H gasket set w/seals-rings | Daihatsu | 1 | 88-92 | AE | K75900H |
| GASKETS AND RUBBER COMPONENTS | | | | | | |
| H1 | Gasket, oil pan | cork/neoprene | 1 | 85-01 | 24784-82300 | 13950X |
| H1 | Gasket, oil pan | Duraprene® | 1 | 85-01 | 96053920 | 13950D |
| G3 | Gasket, main case to bell housing | (except below) | 1 | 85-01 | 96062446 | 13823 |
| G3 | Gasket, main case to bell housing | Daihatsu | 1 | 88-92 | 35142-87705 | 13824 |
| G4 | Gasket, rear case cover | Daihatsu (4 cyl) | 1 | 88-92 | 35182-87704 | 13817 |
| G4 | Gasket, rear case cover | Daihatsu (3 cyl) | 1 | 88-92 | 35142-87704 | 13818 |
| G4 | Gasket, rear case cover | MX17/A210 | 1 | 85-01 | 24730-62300 | 13816 |
| A5 | O'ring | pump | 1 | 85-01 | 22882-82300 | 13471 |
| n/i | Gasket | 2nd brake servo | 1 | 85-01 | 96053919 | 13815 |
| n/i | O'ring | servo cover | 2 | 85-01 | 96054022 | 23877 |
| n/i | O'ring | filler tube/throttle cable | 2 | 85-01 | 96053921 | 13103 |
| n/i | O'ring | speedometer | 1 | 85-01 | 96710-02018 | 23879 |
| METAL CLAD SEALS | | | | | | |
| A10 | Seal, metal clad | front | 1 | 85-01 | 96053884 | 46200 |
| G11 | Seal, metal clad | Tracker 4WD | 2 | 85-01 | 96054226 | 75201M |
| G11 | Seal, metal clad | Daihatsu (axle shaft left/right) | 2 | 88-92 | n/a | 75201D |
| n/i | Seal, metal clad 16x7x6mm | speedometer gear shaft | 1 | 85-01 | 96053969 | 50207 |
| n/i | Seal, metal clad 12x22x7mm | manual lever shaft | 1 | 85-01 | 96054141 | 46202 |
| SEALING RINGS | | | | | | |
| K10 | Kit, sealing ring (complete) | MX17/A210 | 1 | 85-01 | AE | K75300M |
| A14 | Ring, sealing (teflon) 2.050" od | stator shaft | 2 | 85-87 | 96054133 | 75300T |
| A14 | Ring, sealing (teflon) 2.225" od | stator shaft | 2 | 88-01 | 96057149 | 75300AT |
| C15 | Ring, sealing (teflon) | input shaft | 2 | 85-01 | 96053893 | 75301T |
| n/i | Ring, sealing (teflon) | servo small | 1 | 85-01 | 96054021 | 75306T |
| n/i | Ring, sealing (teflon) | servo large | 1 | 85-01 | 96054020 | 75307T |
| n/i | Ring, sealing (teflon) | output shaft | 1 | 85-01 | 96053887 | 75305T |
| CLUTCH PLATES | | | | | | |
| BC20 | Friction .067" 4.971" od 40T | forward/direct clutch | 5 | 85-01 | 96053987 | 75100 |
| BC21 | Steel .071" 4.138" id 8T | forward/direct clutch | 5 | 85-01 | 96053988 | 75101 |
| F24 | Friction .067" 5.590" od 33T (thin paper) | low/reverse clutch | 4 | 85-01 | 96054025 | 75102 |
| F25 | Steel .071" 4.580" id 12T (narrow spline) | low/reverse clutch | 4 | 85-01 | 96054026 | 75105 |
| PRESSURE PLATES | | | | | | |
| BC30 | Pressure plate .102" 2.6mm | forward/direct clutch | 1 | 85-01 | 35675-32030 | 75716-R |
| BC30 | Pressure plate .110" 2.8mm | forward/direct clutch | 1 | 85-01 | 35675-17010 | 75716A-R |
| BC30 | Pressure plate .118" 3.0mm | forward/direct clutch | sel | 85-01 | 96053989 | 75716B-R |
| BC30 | Pressure plate .126" 3.2mm | forward/direct clutch | 1 | 85-01 | 35675-12010 | 75716C-R |
| BC30 | Pressure plate .130" 3.3mm | forward/direct clutch | sel | 85-01 | 96053990 | 75716D-R |
| F31 | Pressure plate .110" 2.8mm | low/reverse clutch (backing) | 1 | 85-01 | 96054027 | 75714-R |
| F32 | Pressure plate | low/reverse clutch (apply) | 1 | 85-01 | 91171244 | 75717-R |
| FILTERS | | | | | | |
| K9 | Kit, filter | MX17/A210 | 1 | 85-01 | AE | DK75800M |
| K9 | Kit, filter | MX17/A210 | 1 | 85-01 | AE | FK75800M |
| H35 | Filter | MX17/A210 | 1 | 85-01 | 96053975 | 75800M |

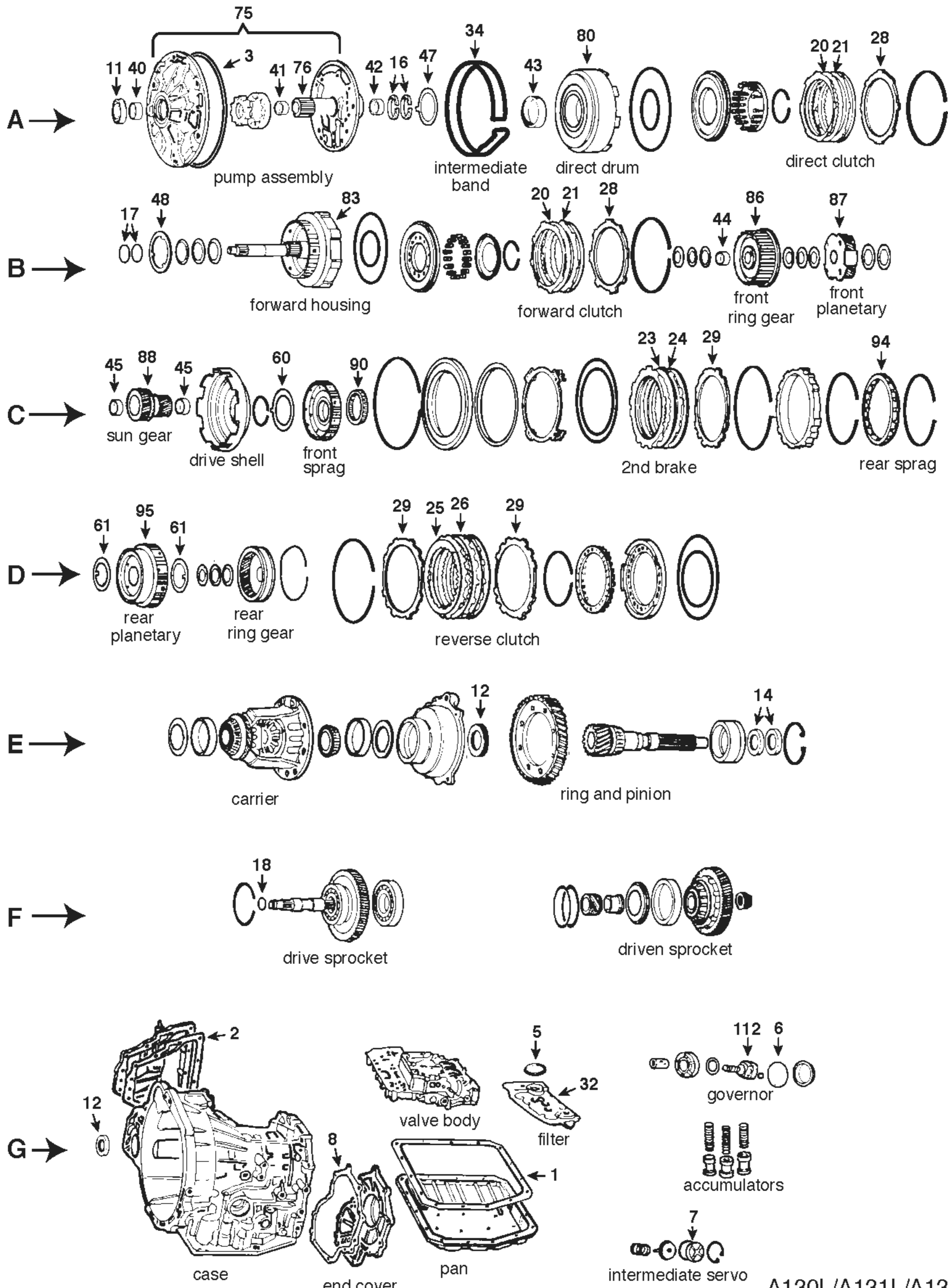


*Experience isn't just how long
you've been in business. It's what you know.
And these guys know transmissions.*

Having the parts you need is important. Knowing what you need is the difference. Our parts are researched and tested by our quality staff, so you will have the confidence that, when you buy a Toledo Driveline™ part, you get the quality and performance you demand. But that's not our only strength. Backing up our complete line of parts with over 5 decades of know how and what you need.

So, look to Toledo Driveline™ quality and selection for transmission parts you can trust. And count on the expert knowledge to back them up.

Toledo
DRIVELINE



A130L/A131L/A132L
75000B

| ILL | DESCRIPTION | QTY | YEAR | REFERENCE # | PART # |
|--------------------------------------|--|-----|-------|--------------|-----------|
| TECHNICAL MANUALS | | | | | |
| K53 | Tech manual Toyota A140 dis/assembly diagnosis/troubleshooting | 1 | 84-02 | 83-140TM | 010-406 |
| REBUILDER KITS | | | | | |
| K4 | Master deluxe rebuild kit A130L/A131L/A132L | 1 | 84-02 | AE | K7500B-R |
| K5 | Master kit w/steels A130L/A131L/A132L | 1 | 84-02 | AE | K7500B |
| K6 | Master kit w/o steels A130L/A131L/A132L | 1 | 84-02 | AE | K7500B-LS |
| K7 | O/H gasket set w/seals-rings A130L/A131L/A132L | 1 | 84-02 | AE | K75900B |
| GASKETS AND RUBBER COMPONENTS | | | | | |
| G1 | Gasket, oil pan neoprene/cork | 1 | 84-02 | 35168-32010 | 13470X |
| G1 | Gasket, oil pan Duraprene® | 1 | 84-02 | 35168-32010F | 13470D |
| G2 | Gasket, differential cover A130 | 1 | 84-85 | 41182-32010 | 23001 |
| G2 | Gasket, differential cover A131 | 1 | 84-02 | 41182-12010 | 23002 |
| G2 | Gasket, differential cover A132 | 1 | 84-02 | 35144-10010 | 23003 |
| A3 | O'ring pump body | 1 | 84-02 | 96054134 | 13471 |
| G5 | Gasket 1.125" id filter | 1 | 84-02 | 35339-32010 | 13474 |
| G6 | O'ring governor cover | 1 | 84-02 | 90301-67001 | 23013 |
| G7 | O'ring servo cover | 2 | 84-02 | 90301-41002 | 23014 |
| G8 | Gasket end cover to case | 1 | 84-87 | 35144-12020 | 13472 |
| n/i | O'ring speedo | 1 | 84-02 | 96711-24018 | 23879 |
| n/i | O'ring filler tube/throttle cable | 2 | 84-02 | 90301-09173 | 13103 |
| n/i | Seal case halves | 1 | 84-02 | 35147-16010 | 23021 |
| n/i | Seal 2nd clutch feed | 1 | 84-02 | 35148-32011 | 23022 |
| n/i | Ball, check .250" od (viton) valve body | 1 | 84-02 | 35496-22030 | 13924 |
| n/i | Ball, check .218" od (viton) valve body | 5 | 84-02 | 35495-22010 | 13923 |
| METAL CLAD SEALS | | | | | |
| A11 | Seal, metal clad front | 1 | 84-02 | 90311-38020 | 46200 |
| EG12 | Seal, metal clad 55x35x9mm (not in kit) axle shaft (diesel only) | 2 | 84-02 | 90311-35010 | 75201A |
| EG12 | Seal, metal clad 54x35x9mm axle shaft (gas only) | 2 | 84-97 | 90311-34005 | 75201B |
| G12 | Seal, metal clad 54x35x9mm axle shaft (right side) | 1 | 98-02 | 90311-34007 | 75201B |
| E12 | Seal, metal clad axle shaft (left side) | 1 | 98-02 | 90311-34022 | 75201 |
| E14 | Seal, metal clad differential pinion | 2 | 84-02 | 90311-34003 | 75203 |
| n/i | Seal, metal clad 12x22x7mm manual lever shaft | 1 | 84-02 | 90311-12002 | 46202 |
| n/i | Seal, metal clad Toyota ("S" type speedo driven gear) | 1 | 84-02 | 90310-09001 | 46203 |
| SEALING RINGS | | | | | |
| K10 | Kit, sealing ring A130L/A131L/A132L | 1 | 84-02 | AE | K75300 |
| A16 | Ring, sealing (teflon) 2.050" od stator support | 2 | 84-02 | 35617-22011 | 75300T |
| B17 | Ring, sealing (teflon) input shaft | 2 | 84-02 | 35712-32010 | 75301T |
| F18 | Ring, sealing (teflon) intermediate shaft (output) | 1 | 84-02 | 35748-32010 | 75305T |
| n/i | Ring, sealing (teflon) 2nd coast servo | 1 | 84-02 | 35865-32010 | 75302T |
| CLUTCH PLATES | | | | | |
| AB20 | Friction .067" 4.971" od 40T direct/forward clutch | 5/7 | 84-02 | 35633-32020 | 75100 |
| AB21 | Steel .071" 4.138" id 8T direct/forward clutch | 5/7 | 84-02 | 35634-32010 | 75101 |
| C23 | Friction .067" 5.590" od 33T (thin paper) 2nd brake clutch | 3 | 84-02 | 35677-32030 | 75102 |
| C24 | Steel .071" 4.580" id 12T 2nd brake clutch | 3 | 84-02 | 94846071 | 75103 |
| D25 | Friction .067" 5.590" od 33T (thin paper) 1st/reverse clutch | 6 | 84-02 | 35677-32040 | 75102 |
| D26 | Steel .071" 4.580" id 12T (narrow spline) 1st/reverse clutch | 5 | 84-02 | 94845450 | 75105 |
| PRESSURE PLATES | | | | | |
| AB28 | Pressure plate .102" 2.6mm direct/forward clutch | sel | 84-02 | 35675-32030 | 75716-R |
| AB28 | Pressure plate .110" 2.8mm direct/forward clutch | sel | 84-02 | 35675-17010 | 75716A-R |
| AB28 | Pressure plate .118" 3.0mm direct/forward clutch | sel | 84-02 | 35675-32010 | 75716B-R |
| AB28 | Pressure plate .126" 3.2mm direct/forward clutch | sel | 84-02 | 35675-12010 | 75716C-R |
| AB28 | Pressure plate .130" 3.3mm direct/forward clutch | sel | 84-02 | 35675-32030 | 75716D-R |
| CD29 | Pressure plate .110" 2.8mm 2nd brake and 1st/reverse clutch | 1/3 | 84-02 | 35676-12030 | 75714-R |

A130•A131L•A132L

A130•A131L•A132L

| ILL | DESCRIPTION | | QTY | YEAR | REFERENCE # | PART # |
|-------------------------------------|--------------------------------|---|-----|-------|-------------|-------------|
| FILTERS | | | | | | |
| K9 | Kit, filter | neoprene/cork | 1 | 84-02 | AE | FK75800 |
| K9 | Kit, filter | Duraprene® | 1 | 84-02 | AE | DK75800 |
| G32 | Filter | A130L/A131L/A132L | 1 | 84-02 | 35330-20012 | 75800 |
| BANDS | | | | | | |
| A34 | Band, flex | 2nd coast brake | 1 | 84-02 | 9654009 | 75700 |
| BUSHINGS | | | | | | |
| K13 | Kit, bushing | A130L/A131L/A132L | 1 | 84-02 | AE | K75901 |
| A40 | Bushing | pump body | 1 | 84-02 | n/a | 46001 |
| A41 | Bushing 17mm 21.561mm bore | stator support (front) | 1 | 84-02 | n/a | 46007A |
| A42 | Bushing | stator support (rear) | 1 | 84-02 | n/a | 75002 |
| A43 | Bushing | direct drum | 1 | 84-02 | n/a | 75000 |
| B44 | Bushing | ring gear flange (input hub) | 1 | 84-02 | n/a | 75006 |
| C45 | Bushing | sun gear | 2 | 84-02 | n/a | 75005 |
| WASHERS/BEARINGS/RACES/SHIMS | | | | | | |
| A47 | Thrust washer | direct drum to pump stator | 1 | 84-02 | 35616-32010 | 75404 |
| B48 | Thrust washer | direct drum to forward housing | 1 | 84-02 | 35616-32021 | 75405 |
| B60 | Thrust washer | drive shell to intermediate sprag (front) | 1 | 84-02 | 35739-32011 | 75402 |
| D61 | Thrust washer | rear planetary (front and rear) | 2 | 84-02 | 35738-12010 | 75401 |
| n/i | Bearing, cup and cone | final drive pinion | 1 | 84-02 | 90366-35090 | 90366-35013 |
| PUMP PARTS AND PUMPS | | | | | | |
| A75 | Pump, complete | A130L/A131L | 1 | 84-02 | AE | 75920-R |
| A76 | Shaft, pump stator | press in | 1 | 84-02 | 35370-32031 | 75969 |
| HARD PARTS | | | | | | |
| A80 | Drum, direct clutch | 2 clutch | 1 | 84-02 | 35605-32020 | 75921-R |
| A80 | Drum, direct clutch | 3 clutch | 1 | 84-02 | 35370-32H01 | 75921A-R |
| B83 | Housing, forward w/input shaft | 3 clutch | 1 | 84-02 | 35701-32010 | 75922-R |
| B83 | Housing, forward w/input shaft | 4 clutch | 1 | 84-02 | 35701-32030 | 75922A-R |
| B86 | Gear, ring | front planetary | 1 | 84-02 | 35743-32020 | 75940-R |
| B87 | Planetary, front | A130L | 1 | 84-02 | 35720-32010 | 75925-R |
| C88 | Gear, sun | forward | 1 | 84-02 | 35706-32030 | 75924-R |
| D95 | Planetary, rear | A130L | 1 | 84-02 | 35762-12020 | 75748-R |
| G112 | Governor assembly | A130L | 1 | 84-02 | n/a | 75410-R |
| SPRAGS | | | | | | |
| C90 | Sprag (18 elements) | front (intermediate) | 1 | 84-02 | 35791-32020 | 46502 |
| C94 | Sprag (20 elements) | low/reverse | 1 | 84-02 | 35792-32011 | 75926 |
| NOTES | | | | | | |
| | | | | | | |
| | | | | | | |
| | | | | | | |
| | | | | | | |
| | | | | | | |
| | | | | | | |
| | | | | | | |
| | | | | | | |
| | | | | | | |
| | | | | | | |
| | | | | | | |
| | | | | | | |
| | | | | | | |
| | | | | | | |
| | | | | | | |
| | | | | | | |
| | | | | | | |
| | | | | | | |
| | | | | | | |
| | | | | | | |



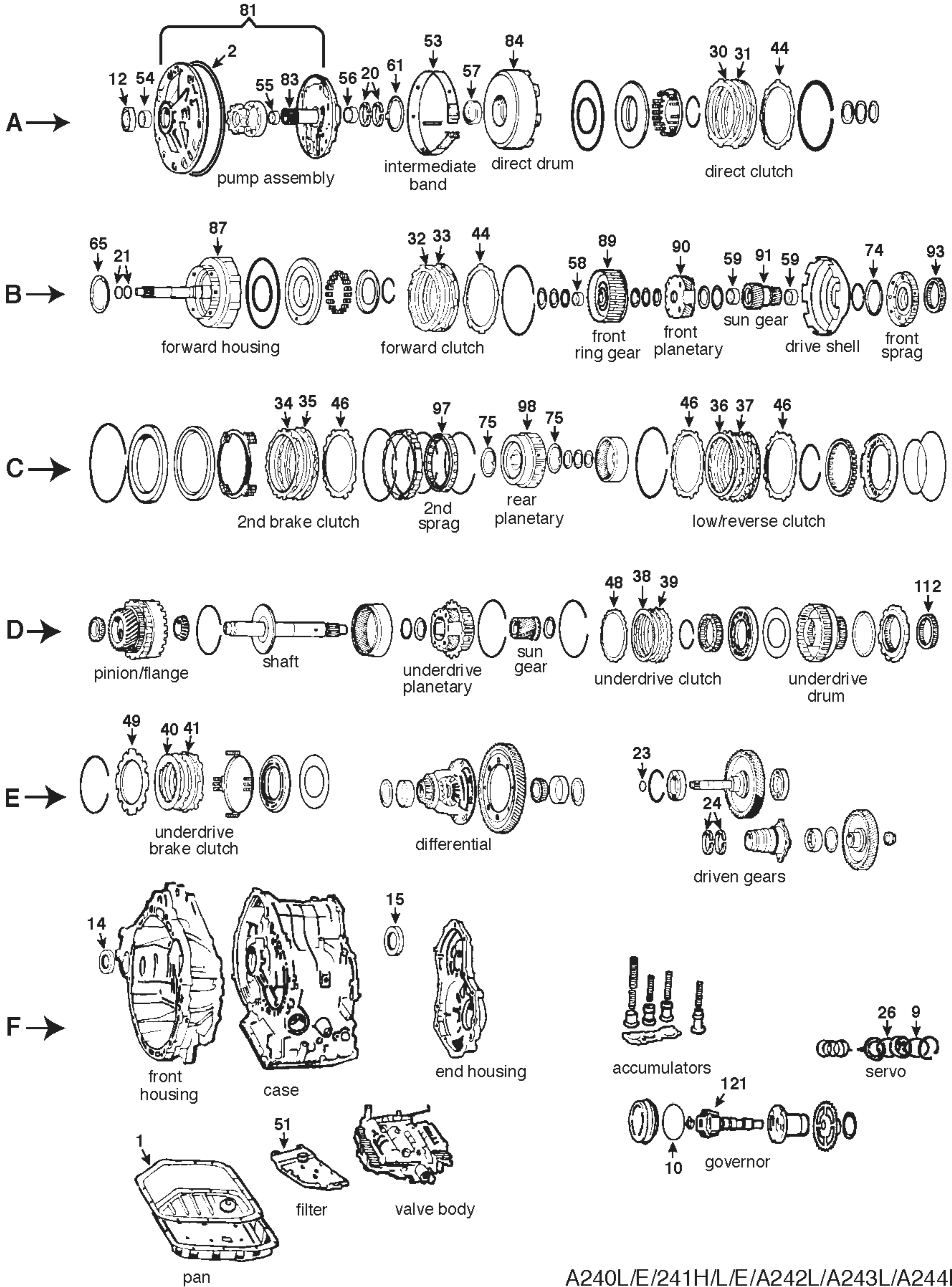
GFX Inc.

“The Monster” is just one of the many parts that GFX has manufactured within the last few years.

We specialize in offering the industry quality hard parts at very competitive prices. We also carry many popular items such as Pump Gears, Solenoids, Borg-Warner Morse chains, Dynax Friction Plates and much more.

305-499-9789—office 305-499-9789-Fax

A & Reds, authorized GFX Distributor



A240L/E/241H/L/E/A242L/A243L/A244E
75000A

| ILL | DESCRIPTION | QTY | YEAR | REFERENCE # | PART # | |
|--------------------------------------|---|--------------------------------|------|-------------|--------------|-----------|
| REBUILDER KITS | | | | | | |
| K4 | Master deluxe rebuild kit | A240L/A241L/A242L/A243L | 1 | 85-99 | AE | K7500A-R |
| K5 | Master kit w/steels | A240L/A241L/A242L/A243L | 1 | 85-99 | AE | K7500A |
| K6 | Master kit w/o steels | A240L/A241L/A242L/A243L | 1 | 85-99 | AE | K7500A-LS |
| K7 | O/H gasket w/seals-rings | A240L/A241L/A242L/A243L | 1 | 85-99 | AE | K75900A |
| K11 | Gasket and seal kit | A240L/A241L/A242L/A243L | 1 | 85-99 | AE | K75900A-1 |
| GASKETS AND RUBBER COMPONENTS | | | | | | |
| F1 | Gasket, oil pan | neoprene/cork | 1 | 85-99 | 35168-12020 | 13470AX |
| F1 | Gasket, oil pan | Duraprene® | 1 | 85-99 | 35168-12020f | 13470AD |
| A2 | O'ring | pump body | 1 | 85-99 | 90301-99024 | 13471 |
| F9 | O'ring | servo cover | 2 | 85-99 | 90301-41002 | 23014 |
| F10 | O'ring | governor cover | 1 | 85-99 | 90301-68001 | 23013 |
| n/i | Gasket | filter | 1 | 85-99 | 35339-12010 | 13474A |
| n/i | O'ring | filler tube and throttle cable | 2 | 85-99 | 90301-09173 | 13103 |
| n/i | O'ring | speedo sleeve | 1 | 85-99 | 96711-24030 | 23010 |
| METAL CLAD SEALS | | | | | | |
| A12 | Seal, metal clad | front | 1 | 85-99 | 90311-38020 | 46200 |
| F14 | Seal, metal clad 54x35x9mm | axle shaft (gas only) | 1 | 85-99 | 90311-34012 | 75201B |
| F14 | Seal, metal clad 55x35x9mm (not in kit) | axle shaft (diesel only) | 1 | 85-99 | 90311-35019 | 75201A |
| F14 | Seal, metal clad (not in kit) | axle right (AWD) | 1 | 88-92 | 90311-44004 | 75201E |
| F15 | Seal, metal clad 63x34x9mm | axle left (A240L/E/A244E) | 1 | 85-99 | 90311-34013 | 75201C |
| F15 | Seal, metal clad 63x35x9mm | axle left (A241L/E/A243L) | 1 | 85-99 | 90311-35020 | 75201F |
| n/i | Seal, metal clad 12x22x7mm | manual lever shaft | 1 | 85-99 | 90311-12002 | 46202 |
| n/i | Seal, metal clad | speedo gear shaft | 1 | 85-99 | 90310-09001 | 46203 |
| SEALING RINGS | | | | | | |
| K10 | Kit, sealing ring | teflon | 1 | 85-99 | AE | K75300 |
| A20 | Ring, sealing (teflon) 2.050" od | stator support | 2 | 85-99 | 35617-22011 | 75300T |
| A21 | Ring, sealing (teflon) | input shaft | 2/3 | 85-99 | 35712-32010 | 75301T |
| E23 | Ring, sealing (teflon) | intermediate shaft/output | 1 | 85-99 | 35748-32010 | 75305T |
| E24 | Ring, sealing (metal) | stator support | 2 | 85-99 | 35617-16010 | 62301 |
| F26 | Ring, sealing (teflon) | 2nd coast servo | 1 | 85-99 | 35865-32010 | 75302T |
| CLUTCH PLATES | | | | | | |
| A30 | Friction .067" 4.971" od 40T | direct clutch | 2/3 | 85-99 | 35633-20031 | 75100 |
| A30 | Friction .075" 4.970" od 40T | direct clutch | 2/3 | 87-95 | 35633-33070 | 75113 |
| A30 | Friction .075" 4.971" od 40T | direct clutch | 2/3 | 93-99 | 35633-12050 | 75100A |
| A31 | Steel .071" 4.138" id 8T | direct clutch | 3 | 85-99 | 35634-32020 | 75101 |
| B32 | Friction .067" 4.971" od 40T | forward clutch | 3/4 | 85-99 | 5633-32010 | 75100 |
| B33 | Steel .071" 4.138" id 8T | forward clutch | 3/4 | 85-99 | 35634-32020 | 75101 |
| C34 | Friction .075" 5.589" od 33T (grooved) | 2nd brake clutch | 3 | 85-99 | 35677-32050 | 75102A |
| C34 | Friction .067" 5.590" od 33T (thin paper) | overdrive brake | 3 | 87-91 | 35677-20020 | 75102 |
| C35 | Steel .071" 4.580" id 12T | 2nd brake clutch | 3 | 85-99 | 34648-32010 | 75103 |
| C36 | Friction .067" 5.590" od 33T (thin paper) | 1st/reverse brake clutch | 6 | 85-92 | 35677-32030 | 75102 |
| C36 | Friction .075" 5.595" od 33T (wide paper) | 1st/reverse brake clutch | 6 | 93-99 | 35677-12070 | 75102D |
| C37 | Steel .071" 4.580" id 12T (narrow spline) | 1st/reverse brake clutch | 6 | 85-99 | 35648-32020 | 75105 |
| D38 | Friction .075" 4.255" od 34T (not in kit) | underdrive direct clutch | 3/4 | 85-99 | 34361-12010 | 75106 |
| D39 | Steel .071" 3.570" id 20T (not in kit) | underdrive direct clutch | 3/4 | 85-99 | 34263-12010 | 75107 |
| E40 | Friction .067" 4.3" od 26T (wide paper) | underdrive brake clutch | 3 | 85-99 | 94844916 | 75106A |
| E40 | Friction .067" 4.255" od 26T (thin paper) | underdrive brake clutch | 3 | 93-99 | 34262-12030 | 75106B |
| E41 | Steel .071" 3.2" id 8T | underdrive brake clutch | 3 | 85-99 | 34264-12010 | 75107A |
| n/i | Friction .075" 4.255" od 34T (not in kit) | AWD | 7 | 88-92 | 41475-12010 | 75106 |
| n/i | Steel .071" 3.570" id 20T (not in kit) | AWD | 8 | 88-92 | 41494-12010 | 75107 |
| | | | | | | |
| | | | | | | |
| | | | | | | |

A240•240•A241E•A242E•A243E•A244E

A240•A241E•242E•A243E•A244E

| ILL | DESCRIPTION | | QTY | YEAR | REFERENCE # | PART # |
|-------------------------------------|--------------------------------|-------------------------------------|-----|-------|-------------|----------|
| PRESSURE PLATES | | | | | | |
| AB44 | Pressure plate .102" 2.6mm | forward/direct clutch | sel | 85-99 | 35675-32030 | 75716-R |
| AB44 | Pressure plate .110" 2.8mm | forward/direct clutch | sel | 85-99 | 35675-17010 | 75716A-R |
| AB44 | Pressure plate .118" 3.0mm | forward/direct clutch | sel | 85-99 | 35675-32010 | 75716B-R |
| AB44 | Pressure plate .126" 3.2mm | forward/direct clutch | sel | 85-99 | 35675-12010 | 75716C-R |
| AB44 | Pressure plate .130" 3.3mm | forward/direct clutch | sel | 85-99 | 35675-32030 | 75716D-R |
| C46 | Pressure plate .110" 2.8mm | 2nd brake (1) 1st/reverse brake (2) | 1/3 | 85-99 | 35676-12030 | 75714-R |
| D48 | Pressure plate .080" 2.04mm | underdrive direct | 1 | 85-99 | 34265-12030 | 75717C-R |
| E49 | Pressure Plate | underdrive brake | 1 | 85-99 | 34266-12010 | 75717D-R |
| FILTERS | | | | | | |
| K9 | Kit, filter (except below) | neoprene/cork | 1 | 85-99 | AE | FK75800A |
| K9 | Kit, filter (except below) | Duraprene® | 1 | 85-99 | AE | DK75800A |
| F51 | Filter | A240L/A241L | 1 | 85-99 | 35330-12011 | 75800A |
| BANDS | | | | | | |
| A53 | Band, flex | 2nd coast brake | 1 | 85-99 | 35810-32020 | 75700 |
| BUSHINGS | | | | | | |
| K13 | Kit, bushing | A240L/A241E | 1 | 85-99 | AE | K75901 |
| A54 | Bushing | pump body | 1 | 85-99 | | 46001 |
| A55 | Bushing 17mm 21.561mm bore | stator support (front and rear) | 1 | 85-99 | | 46007A |
| A56 | Bushing | stator support rear | 1 | 85-99 | | 75002 |
| A57 | Bushing | direct drum | 1 | 85-99 | | 75000 |
| B58 | Bushing | ring gear flange (input hub) | 1 | 85-99 | | 75006 |
| B59 | Bushing | sun gear | 2 | 85-99 | | 75005 |
| WASHERS/BEARINGS/RACES/SHIMS | | | | | | |
| A61 | Thrust washer | direct drum to pump stator | 1 | 85-99 | 35616-32010 | 75404 |
| B65 | Thrust washer | direct drum to forward housing | 1 | 85-99 | 35616-32021 | 75405 |
| B74 | Thrust washer | drive shell to intermediate sprag | 1 | 85-99 | 35739-32011 | 75402 |
| C75 | Thrust washer | rear planetary (front and rear) | 2 | 85-99 | 35738-32010 | 75401 |
| PUMP PARTS AND PUMPS | | | | | | |
| A81 | Pump, complete | A240L/A241L | 1 | 85-99 | 35320-32031 | 75920-R |
| A83 | Shaft, pump stator | press in | 1 | 85-99 | n/a | 75969 |
| HARD PARTS | | | | | | |
| A84 | Drum, direct clutch | 3 clutch | 1 | 85-99 | 35370-32401 | 75921A-R |
| B87 | Housing, forward w/input shaft | 4 clutch | 1 | 85-99 | 35701-32021 | 75922C-R |
| B89 | Gear, ring | A240L/A241L | 1 | 85-99 | 35743-32020 | 75940-R |
| B90 | Planetary, front | A240L/A241L | 1 | 85-99 | 35720-32010 | 75925-R |
| B91 | Gear, sun | A240L/A241L | 1 | 85-99 | 35706-32030 | 75924-R |
| C98 | Planetary, rear | A240L/A241L | 1 | 85-99 | 35760-12020 | 75748-R |
| F121 | Governor, w/out gear | A240 | 1 | 85-99 | AE | 75410A-R |
| ELECTRICAL COMPONENTS | | | | | | |
| n/i | Solenoid (on/off) | overdrive (hydraulic models only) | 1 | 85-99 | 85420-10011 | 5A-175 |
| n/i | Kit, solenoids | A240E/A241E/A244E | 1 | 87-99 | 52-9001 | 25A-052 |
| n/i | Solenoid set | A240/A241/244 | 1 | 87-99 | 52-0230 | 5A-178 |
| n/i | Solenoid | A240E/A241E/244E (shift) | 2 | 87-99 | 85420-12020 | 5A-172 |
| n/i | Solenoid | A240E/A241E/A244E (lock-up/TCC) | 1 | 87-99 | 52-0236 | 5A-164 |
| SPRAGS | | | | | | |
| B93 | Sprag (18 elements) | front (intermediate) | 1 | 85-99 | 35791-30020 | 46502 |
| C97 | Sprag (20 elements) | low/reverse | 1 | 85-99 | 35792-32011 | 75926 |
| D112 | Sprag | underdrive | 1 | 85-99 | 34360-12010 | 75503A |
| NOTES | | | | | | |
| | | | | | | |
| | | | | | | |
| | | | | | | |

FILTRAN



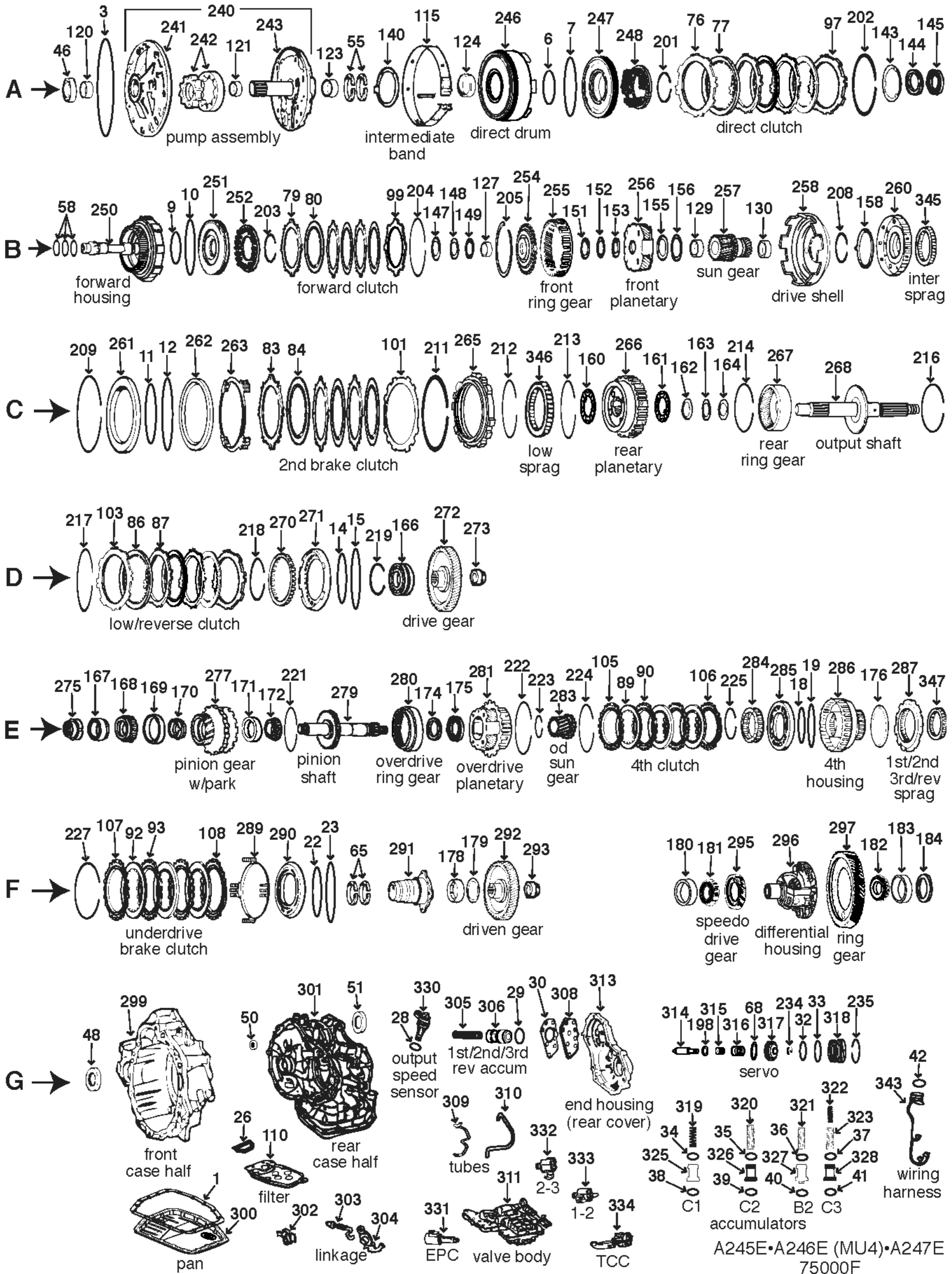
Sealed Seam Zero Leak[®]



GoldStripe Sealing Rings[®]



TransJel[®]



| ILL | DESCRIPTION | QTY | YEAR | REFERENCE # | PART # | |
|--------------------------------------|---|-------------------------|------|-------------|--------------|-----------|
| REBUILDER KITS | | | | | | |
| K4 | Master deluxe rebuild kit | A245E/A246E/A247E | 1 | 03-08 | AE | K7500F-R |
| K4 | Master deluxe rebuild kit | A245E/A246E | 1 | 93-02 | AE | K7500K-R |
| K5 | Master kit w/steels | A245E/A246E/A247E | 1 | 03-08 | AE | K7500F |
| K5 | Master kit w/steels | A245E/A246E | 1 | 93-02 | AE | K7500K |
| K6 | Master kit w/o steels | A245E/A246E/A247E | 1 | 03-08 | AE | K7500F-LS |
| K6 | Master kit w/o steels | A245E/A246E | 1 | 93-02 | AE | K7500K-LS |
| K7 | O/H gasket w/seals-rings | A245E/A246E/A247E | 1 | 03-08 | AE | K75900F |
| K7 | O/H gasket w/seals-rings | A245E/A246E | 1 | 93-02 | AE | K75900K |
| VALVE BODY KITS | | | | | | |
| K15 | Reprogramming Kit™ A245E | hot rod/street show off | 1 | 93-08 | A245E-HD2 | A245E-HD2 |
| GASKETS AND RUBBER COMPONENTS | | | | | | |
| G1 | Gasket, oil pan | neoprene/cork | 1 | 93-02 | 35168-12030 | 13480X |
| G1 | Gasket, oil pan | Duraprene® | 1 | 93-02 | 35168-12030f | 13480D |
| G1 | Gasket, oil pan | neoprene/cork | 1 | 03-08 | 35168-12060 | 13460X |
| G1 | Gasket, oil pan | Duraprene® | 1 | 03-08 | 35168-12060f | 13460D |
| A3 | O'ring | pump body | 1 | 93-08 | 90301-99024 | 13471 |
| G26 | Gasket | filter | 1 | 93-08 | 35339-12020 | 13474B |
| G32 | O'ring | servo cover | 2 | 93-08 | 90301-41002 | 23014 |
| METAL CLAD SEALS | | | | | | |
| A46 | Seal, metal clad | front | 1 | 93-08 | 90311-38020 | 46200 |
| G48 | Seal, metal clad 55x35x9mm (not in kit) | axle right | 1 | 93-08 | 90311-35019 | 75201A |
| G48 | Seal, metal clad 54x35x9mm | axle right | 1 | 93-08 | 90311-34012 | 75201B |
| G50 | Seal, metal clad 12x22x7mm | manual lever shaft | 1 | 93-08 | 90311-12002 | 46202 |
| G51 | Seal, metal clad 63x34x9mm | axle left | 1 | 93-08 | 90311-34013 | 75201C |
| G51 | Seal, metal clad 63x35x9mm | axle left | 1 | 93-08 | 90311-35020 | 75201F |
| SEALING RINGS | | | | | | |
| K10 | Kit, sealing ring | A245E | 1 | 93-08 | n/a | K75300 |
| CLUTCH PLATES | | | | | | |
| A76 | Steel .071" 4.138" id 8T | direct clutch | 2/3 | 93-08 | 35634-32020 | 75101 |
| A77 | Friction .075" 4.971" od 40T | direct clutch | 2/3 | 93-08 | 35633-12050 | 75100A |
| B79 | Steel .071" 4.138" id 8T | forward clutch | 3/4 | 93-08 | 35634-32020 | 75101 |
| B80 | Friction .067" 4.971" od 40T | forward clutch | 3/4 | 93-08 | 35633-20031 | 75100 |
| C83 | Steel .071" 4.580" id 12T | 2nd brake clutch | 3/4 | 93-08 | 34648-32010 | 75103 |
| C84 | Friction .067" 5.590" od 33T (thin paper) | 2nd brake clutch | 3/4 | 93-08 | 35677-20020 | 75102 |
| C84 | Friction .075" 5.589" od 33T (grooved) | 2nd brake clutch | 3/4 | 93-08 | 35677-32050 | 75102A |
| D86 | Friction .067" 5.590" od 33T (thin paper) | low/reverse clutch | 5/6 | 93-95 | 35677-20020 | 75102 |
| D86 | Friction .075" 5.595" od 33T (wide paper) | low/reverse clutch | 5/6 | 93-08 | 35677-12070 | 75102D |
| D87 | Steel .071" 4.925" id 12T | low/reverse clutch | 5/6 | 93-08 | 35648-12020 | 75105B |
| E89 | Friction .075" 4.255" od 34T (not in kit) | 4th/underdrive clutch | 3/4 | 93-08 | 41475-12010 | 75106 |
| E90 | Steel .071" 3.570" id 20T (not in kit) | 4th/underdrive clutch | 3/4 | 93-08 | 41494-12010 | 75107 |
| F92 | Friction .067" 4.255" od 26T (thin paper) | underdrive brake clutch | 3 | 93-08 | 34262-12030 | 75106B |
| F93 | Steel .071" 3.430" id 8T | underdrive brake clutch | 3 | 93-08 | 34264-12020 | 75107B |
| PRESSURE PLATES | | | | | | |
| A97 | Pressure plate .102" 2.6mm | direct clutch | sel | 93-08 | 35675-32030 | 75716-R |
| A97 | Pressure plate .110" 2.8mm | direct clutch | sel | 93-08 | 35675-17010 | 75716A-R |
| A97 | Pressure plate .118" 3.0mm | direct clutch | sel | 93-08 | 35675-32010 | 75716B-R |
| A97 | Pressure plate .126" 3.2mm | direct clutch | sel | 93-08 | 35675-12010 | 75716C-R |
| A97 | Pressure plate .130" 3.3mm | direct clutch | sel | 93-08 | 35675-32030 | 75716D-R |
| B99 | Pressure plate .102" 2.6mm | forward clutch | sel | 93-08 | 35675-32030 | 75716-R |
| B99 | Pressure plate .110" 2.8mm | forward clutch | sel | 93-08 | 35675-17010 | 75716A-R |
| B99 | Pressure plate .118" 3.0mm | forward clutch | sel | 93-08 | 35675-32010 | 75716B-R |
| B99 | Pressure plate .126" 3.2mm | forward clutch | sel | 93-08 | 35675-12010 | 75716C-R |
| B99 | Pressure plate .130" 3.3mm | forward clutch | sel | 93-08 | 35675-32030 | 75716D-R |

A245E•245•A246E (MU4)•246•A247E•247

A245E•A246E•A247E

| ILL | DESCRIPTION | QTY | YEAR | REFERENCE # | PART # |
|-------------------------------------|--|-----|-------|-------------|----------|
| FILTERS | | | | | |
| K9 | Kit, filter neoprene/cork | 1 | 93-02 | AE | FK75800E |
| K9 | Kit, filter Duraprene® | 1 | 93-02 | AE | DK75800E |
| K9 | Kit, filter neoprene/cork | 1 | 03-08 | AE | FK75800K |
| K9 | Kit, filter Duraprene® | 1 | 03-08 | AE | DK75800K |
| G110 | Filter A245E | 1 | 93-02 | 35330-12030 | 75800E |
| G110 | Filter A245E | 1 | 03-08 | 35330-12040 | 75800K |
| BANDS | | | | | |
| A115 | Band, flex intermediate/2nd coast brake | 1 | 93-08 | 35810-32020 | 75700 |
| BUSHINGS | | | | | |
| K12 | Kit, bushing A245E | 1 | 93-08 | n/a | K75901 |
| A54 | Bushing pump body | 1 | 99-08 | n/a | 46001 |
| A55 | Bushing 17mm 21.561mm bore pump support (front) | 1 | 93-08 | n/a | 46007A |
| A56 | Bushing pump support (rear) | 1 | 93-08 | n/a | 75002 |
| A57 | Bushing direct drum | 1 | 93-08 | n/a | 75000 |
| B58 | Bushing ring gear flange (input hub) | 1 | 93-08 | n/a | 75006 |
| B59 | Bushing sun gear | 1 | 93-08 | n/a | 75005 |
| WASHERS/BEARINGS/RACES/SHIMS | | | | | |
| A140 | Thrust washer direct clutch drum to pump stator | 1 | 93-08 | 35616-32010 | 75404 |
| A143 | Thrust washer direct drum to forward housing | 1 | 93-08 | 35616-32021 | 75405 |
| B158 | Thrust washer drive shell to intermediate sprag | 1 | 93-08 | 35739-32011 | 75402 |
| C160 | Thrust washer rear planetary (front/rear) | 1 | 93-08 | 35738-32010 | 75401 |
| PUMP PARTS AND PUMPS | | | | | |
| A240 | Pump assembly A245E | 1 | 93-08 | AE | 75920F-R |
| n/i | Shaft, pump stator press-in | 1 | 93-08 | n/a | 75969 |
| ELECTRICAL COMPONENTS | | | | | |
| n/i | Kit, solenoid w/mounting bracket 2 shift/1 lock-up/1 SLT | 1 | 02-04 | 52-0931 | 25A-058 |
| n/i | Kit, solenoid w/mounting bracket 2 shift/1 lock-up/1 SLT | 1 | 04-08 | 52-0935 | 5A-058A |
| n/i | Kit, solenoid 2 shift/1 lock-up | 1 | 93-08 | 52-9004 | 25A-049 |
| n/i | Solenoid shift 1/shift 2 w/bracket | 1 | 93-08 | 52-0256 | 5A-285 |
| G331 | Solenoid SLT/EPC | 1 | 02-03 | 35290-12020 | 5A-284 |
| G331 | Solenoid SLT/EPC | 1 | 04-08 | 35290-12030 | 5A-284A |
| G334 | Solenoid lock-up/TCC | 1 | 93-08 | 52-0236 | 5A-286 |
| SPRAGS | | | | | |
| B345 | Sprag (18 elements) intermediate clutch | 1 | 93-08 | 35791-30020 | 46502 |
| C346 | Sprag (20 elements) reverse | 1 | 93-08 | 35792-32011 | 75926 |
| NOTES | | | | | |
| | | | | | |
| | | | | | |
| | | | | | |
| | | | | | |
| | | | | | |
| | | | | | |
| | | | | | |
| | | | | | |
| | | | | | |
| | | | | | |
| | | | | | |
| | | | | | |
| | | | | | |
| | | | | | |
| | | | | | |
| | | | | | |
| | | | | | |
| | | | | | |

Sonnax has valve bodies on the brain.



The valve body is the brains of a transmission.

That transmission isn't fixed until the valve body is right. And that means getting to the root cause of the problem, not just treating the symptoms.

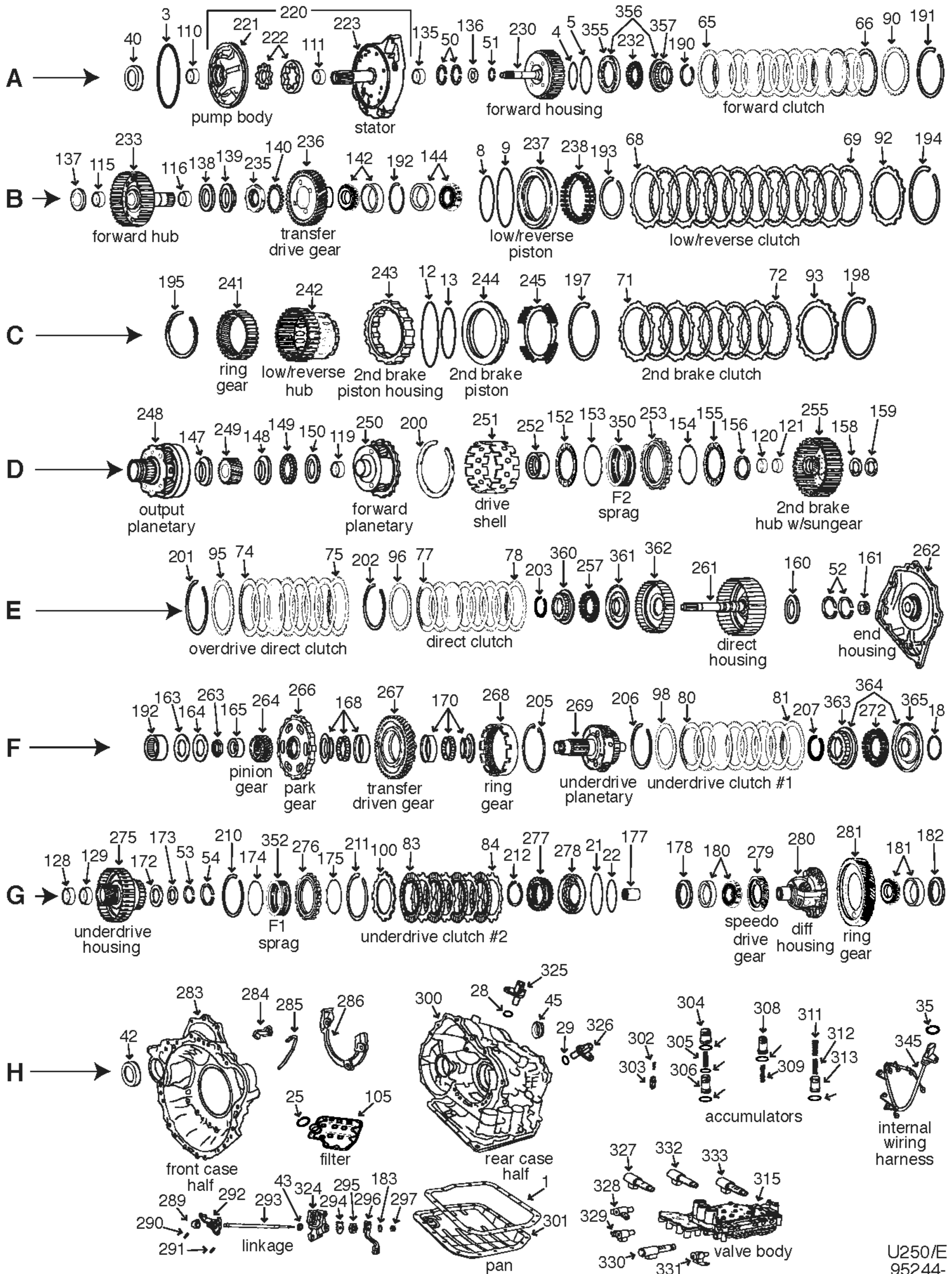
Nobody knows valve bodies like Sonnax.™

sonnax®
TIME TESTED • INDUSTRY TRUSTED®

1 Automatic Drive • P.O. Box 440 • Bellows Falls, VT 05101-0440 USA
800-843-2600 • 802-463-9722 • F: 802-463-4059 • www.sonnax.com

©2010 Sonnax Industries, Inc.





U250/E
95244-

| ILL | DESCRIPTION | QTY | YEAR | REFERENCE # | PART # |
|--------------------------------------|---|-----|-------|-------------|-------------|
| REBUILDER KITS | | | | | |
| K4 | Master deluxe rebuilding kit w/pistons | 1 | 02-10 | AE | 95244-10004 |
| K4 | Master deluxe rebuilding kit w/o pistons | 1 | 02-10 | AE | 95244-10104 |
| K5 | Master kit w/steels w/pistons | 1 | 02-10 | AE | 95244-11004 |
| K5 | Master kit w/steels w/o pistons | 1 | 02-10 | AE | 95244-11104 |
| K6 | Master kit w/o steels w/ pistons | 1 | 02-10 | AE | 95244-12004 |
| K6 | Master kit w/o steels w/o pistons | 1 | 02-10 | AE | 95244-12104 |
| K11 | O/H gasket set w/seals-rings w/pistons | 1 | 02-10 | FDB-2489 | 95244-13004 |
| K11 | O/H gasket set w/seals-rings w/o pistons | 1 | 02-10 | FDB-2490 | 95244-13104 |
| GASKETS AND RUBBER COMPONENTS | | | | | |
| A3 | O'ring pump body | 1 | 02-10 | 90301-99099 | 13988 |
| H1 | Gasket, oil pan neoprene/cork | 1 | 02-10 | 35168-21011 | 14003X |
| METAL CLAD SEALS | | | | | |
| A40 | Seal, metal clad front | 1 | 02-10 | 90311-38077 | 46200 |
| H42 | Seal, metal clad right axle | 1 | 02-10 | 90311-40031 | 95244-30204 |
| H45 | Seal, metal clad left axle | 1 | 02-10 | 90311-50026 | 95244-30104 |
| SEALING RINGS | | | | | |
| K10 | Kit, sealing ring U250E | 1 | 02-10 | AE | K74300 |
| A50 | Ring, sealing (teflon) stator | 2 | 02-10 | 35613-21010 | 74300T |
| A51 | Ring, sealing input shaft | 1 | 02-10 | 35712-21010 | 74301T |
| E52 | Ring, sealing direct clutch/end housing | 2 | 02-10 | 35653-21010 | 74302T |
| G53 | Ring, sealing underdrive brake (small) | 1 | 02-10 | 34346-21010 | 74303T |
| G54 | Ring, sealing underdrive brake (large) | 1 | 02-10 | 34255-21010 | 74304 |
| CLUTCH PLATES | | | | | |
| A65 | Steel .071" 4.500" id 40T forward clutch | 5 | 02-10 | 35634-21010 | 74101 |
| A66 | Friction .071" 5.387" od 40T forward clutch | 5 | 02-10 | 136700A-180 | 95243-35204 |
| B68 | Steel .078" 5.640" id 12T low/reverse clutch | 5 | 02-10 | 35692-21010 | 74103 |
| B69 | Friction .075" 6.400" od 40T low/reverse clutch | 5 | 02-10 | 136706-190 | 95244-35204 |
| C71 | Steel .071" 5.640" od 12T 2nd brake clutch | 3 | 02-10 | 35691-21010 | 74105 |
| C72 | Friction .071" 6.700" od 40T 2nd brake clutch | 3 | 02-10 | 35681-21010 | 74104 |
| E74 | Friction .067" 5.954" od 40T overdrive direct clutch | 3 | 02-10 | 34627-33010 | 95243-37004 |
| E75 | Steel .071" 5.010" id 40T overdrive direct clutch | 4 | 02-10 | 34616-33010 | 95243-40604 |
| E78 | Steel .118" 5.54" id 40T direct clutch | 3 | 02-10 | 35647-33030 | 74107 |
| E77 | Friction .060" 6.180" od 40T direct clutch | 3 | 02-10 | 35667-33010 | 95243-35804 |
| F80 | Friction .071" 4.487" od 40T underdrive clutch #1 | 3 | 02-10 | 34261-32020 | 74112 |
| F81 | Steel .078" 3.550" id 40T underdrive clutch #1 | 3 | 02-10 | 34263-32020 | 74113 |
| G83 | Friction .071" 4.435" od 28T underdrive clutch #2 | 3 | 02-10 | 34262-32020 | 74114 |
| G84 | Steel .071" 3.510" id 11T underdrive clutch #2 | 3 | 02-10 | 34264-32020 | 74115 |
| PRESSURE PLATES | | | | | |
| A90 | Pressure plate forward clutch (specify thickness) | sel | 02-10 | AE | 74711-R |
| B92 | Pressure plate low/reverse clutch (specify thickness) | sel | 02-10 | AE | 74712-R |
| C93 | Pressure plate 2nd brake clutch (specify thickness) | sel | 02-10 | AE | 74713-R |
| E95 | Pressure plate od direct clutch (specify thickness) | sel | 02-10 | AE | 95243-42603 |
| E96 | Pressure plate direct clutch (specify thickness) | sel | 02-10 | AE | 74714-R |
| F98 | Pressure plate ud clutch #1 (specify thickness) | sel | 02-10 | AE | 74715-R |
| G100 | Pressure plate ud clutch #2 (specify thickness) | sel | 02-10 | AE | 74718-R |
| FILTERS | | | | | |
| H105 | Filter U250E | 1 | 02-10 | 35330-08010 | 95243-45104 |
| BUSHINGS | | | | | |
| K13 | Kit, bushing U250E | 1 | 02-10 | AE | K74901 |
| A110 | Bushing pump body | 1 | 02-10 | AE | 46001 |
| A111 | Bushing front stator | 1 | 02-10 | AE | 74002 |
| B115 | Bushing front forward hub | 1 | 02-10 | AE | 74003 |
| B116 | Bushing rear forward hub | 1 | 02-10 | AE | 74003 |

| ILL | DESCRIPTION | QTY | YEAR | REFERENCE # | PART # |
|-------------------------------------|---|-----|-------|-------------|-------------|
| BUSHINGS (CONTINUED) | | | | | |
| D119 | Bushing forward planetary | 1 | 02-10 | AE | 74004 |
| D120 | Bushing front 2nd brake housing | 1 | 02-10 | AE | 74005 |
| D121 | Bushing rear 2nd brake housing | 1 | 02-10 | AE | 74005 |
| G128 | Bushing front underdrive housing | 1 | 02-10 | AE | 74006 |
| G129 | Bushing rear underdrive housing | 1 | 02-10 | AE | 74006 |
| WASHERS/BEARINGS/RACES/SHIMS | | | | | |
| K12 | Kit, thrust bearing U250E | 1 | 02-10 | AE | K74906 |
| A135 | Bearing, caged rear stator | 1 | 02-10 | n/a | 74528 |
| A136 | Bearing, thrust pump support to forward drum | 1 | 02-10 | 90374-34005 | 74400-R |
| B137 | Bearing, thrust forward drum to forward clutch hub | 1 | 02-10 | 90374-23002 | 74401-R |
| B138 | Race, thrust forward clutch hub to front planetary | 1 | 02-10 | 35786-21010 | 74403-R |
| B139 | Bearing, thrust forward clutch hub to front planetary | 1 | 02-10 | 90374-37005 | 74402-R |
| D147 | Bearing, thrust front planetary to sun gear | 1 | 02-10 | 90374-34006 | 74404-R |
| D148 | Race (inner lip) sun gear to rear planetary | 1 | 02-10 | 35787-21010 | 74405-R |
| D149 | Bearing, thrust sun gear to rear planetary | 1 | 02-10 | 90374-38002 | 74406-R |
| D150 | Race sun gear to rear planetary | 1 | 02-10 | 35788-21010 | 74407-R |
| D152 | Thrust washer outer sprag race to rear planetary | 1 | 02-10 | 35737-28010 | 74416 |
| D153 | Thrust washer (2 tabs) outer sprag race to rear planetary | 1 | 02-10 | 35737-21010 | 74408 |
| D154 | Thrust washer (2 tabs) outer sprag race to 2nd brake hsg | 1 | 02-10 | 35737-21010 | 74408 |
| D155 | Thrust washer outer sprag race to 2nd brake hsg | 1 | 02-10 | 35737-28010 | 74416 |
| D156 | Bearing, thrust inner sprag race to sun gear housing | 1 | 02-10 | n/a | 74409-R |
| D158 | Race direct drum to sun gear housing | 1 | 02-10 | 35789-21010 | 74411-R |
| D159 | Bearing, thrust direct drum to sun gear housing | 1 | 02-10 | 90374-53010 | 74410-R |
| E160 | Bearing, thrust direct drum to end housing | 1 | 02-10 | 90374-53010 | 74409-R |
| E161 | Bearing, caged end housing | 1 | 02-10 | 90364-18010 | 74529 |
| F163 | Bearing, thrust pinion to park gear | 1 | 02-10 | 90374-53004 | 74412-R |
| F164 | Race, thrust pinion to park gear | 1 | 02-10 | 34736-32020 | 74413-R |
| G172 | Bearing, thrust underdrive housing to case | 1 | 02-10 | 90374-37007 | 74414-R |
| G173 | Race, thrust underdrive housing to case | 1 | 02-10 | 34737-21010 | 74415-R |
| SNAP RINGS | | | | | |
| A190 | Snap ring forward retainer | 1 | 02-10 | AE | 74601-R |
| A191 | Snap ring forward pressure plate | 1 | 02-10 | AE | 74603-R |
| B192 | Snap ring transfer drive gear | 1 | 02-10 | AE | 74605-R |
| B193 | Snap ring low/reverse retainer | 1 | 02-10 | AE | 74607-R |
| B194 | Snap ring low/reverse pressure plate | 1 | 02-10 | AE | 74608-R |
| C195 | Snap ring ring gear to hub | 1 | 02-10 | AE | 74609-R |
| C197 | Snap ring 2nd brake retainer | 1 | 02-10 | AE | 74612-R |
| C198 | Snap ring 2nd brake pressure plate | 1 | 02-10 | AE | 74615-R |
| D200 | Snap ring forward planetary to hub | 1 | 02-10 | AE | 74617-R |
| E201 | Snap ring od direct pressure plate | 1 | 02-10 | AE | 95243-64203 |
| E202 | Snap ring direct pressure plate | 1 | 02-10 | AE | 74622-R |
| E203 | Snap ring direct retainer | 1 | 02-10 | AE | 74625-R |
| F205 | Snap ring underdrive ring gear | 1 | 02-10 | AE | 74629-R |
| F206 | Snap ring ud clutch #1 pressure plate | 1 | 02-10 | AE | 74632-R |
| F207 | Snap ring ud clutch #1 retainer | 1 | 02-10 | AE | 74635-R |
| G210 | Snap ring F1 sprag | 1 | 02-10 | AE | 74638-R |
| G211 | Snap ring ud clutch #2 pressure plate | 1 | 02-10 | AE | 74640-R |
| G212 | Snap ring ud clutch #2 retainer | 1 | 02-10 | AE | 74642-R |
| | | | | | |
| | | | | | |
| | | | | | |
| | | | | | |
| | | | | | |

| ILL | DESCRIPTION | QTY | YEAR | REFERENCE # | PART # |
|------------------------------|---|-----|-------|-------------|-------------|
| PUMP PARTS AND PUMPS | | | | | |
| A220 | Pump, assembly (rotor type gears) U250E | 1 | 02-10 | AE | 95243-67003 |
| HARD PARTS | | | | | |
| A230 | Housing, w/shaft (5 clutch) forward clutch | 1 | 02-10 | AE | 74925A-R |
| A231 | Piston, apply (aluminum) forward clutch | 1 | 02-10 | AE | 74924-R |
| A232 | Retainer, w/springs 1.052" oh forward clutch | 1 | 02-10 | AE | 74921A-R |
| B233 | Hub, forward clutch forward clutch | 1 | 02-10 | AE | 74926-R |
| B236 | Gear, transfer drive 50T 1 notch (ball bearing) | 1 | 02-10 | AE | 95244-73103 |
| B237 | Piston, (aluminum) low/reverse clutch (has lip) | 1 | 02-10 | AE | 95244-73303 |
| B237 | Piston, low reverse .605" oh (aluminum) low/reverse clutch | 1 | 02-10 | AE | 74931A-R |
| B238 | Retainer, w/springs low/reverse clutch | 1 | 02-10 | AE | 74932-R |
| C241 | Gear, ring .866" 40 lugs 77T output planetary | 1 | 02-10 | AE | 74948-R |
| C242 | Hub, low/reverse brake U250E | 1 | 02-10 | AE | 74928-R |
| C243 | Housing, 2nd clutch U250E | 1 | 02-10 | AE | 74933-R |
| C244 | Piston, (aluminum) 2nd brake clutch | 1 | 02-10 | AE | 74934-R |
| C245 | Retainer, w/springs 2nd brake clutch | 1 | 02-10 | AE | 74936-R |
| D248 | Planetary, front output 3 pinions | 1 | 02-10 | AE | 74927A-R |
| D249 | Gear, sun 43T (1 notch) output planetary | 1 | 02-10 | AE | 95243-74003 |
| D250 | Planetary, forward front 3 pinion gears | 1 | 02-10 | AE | 95244-74303 |
| D251 | Shell, drive U250E | 1 | 02-10 | AE | 74922-R |
| E252 | Race, inner sprag U250E | 1 | 02-10 | AE | 74958-R |
| D253 | Race, outer w/sprag/inner race (F2) U250E | 1 | 02-10 | AE | 95244-74503 |
| D255 | Housing, w/sun gear uses 3 tab washer | 1 | 02-10 | AE | 95243-74503 |
| E257 | Retainer, w/springs direct clutch | 1 | 02-10 | AE | 95243-74703 |
| E261 | Housing, direct clutch w/shaft piston ledge up 1.125" oh | 1 | 02-10 | AE | 74938A-R |
| E262 | Housing, end U250E | 1 | 02-10 | AE | 95244-75103 |
| F264 | Gear, pinion 23T (3 notches) U250E | 1 | 02-10 | AE | 95244-75304 |
| F266 | Gear, park U250E | 1 | 02-10 | AE | 95244-75903 |
| F267 | Gear, transfer driven 51T (1 notch) U250E | 1 | 02-10 | AE | 95244-76003 |
| F268 | Gear, ring 83T U250E | 1 | 02-10 | AE | 74945A-R |
| F269 | Planetary, underdrive (4 pinion gears) U250E | 1 | 02-10 | AE | 74962A-R |
| F272 | Retainer, w/springs underdrive clutch #1 | 1 | 02-10 | AE | 74952-R |
| G275 | Housing, underdrive brake #1 (3 clutch) w/32T sun gear | 1 | 02-10 | AE | 74947A-R |
| G280 | Differential, assembly w/spiders gears U250E (w/o speedo 8 bolts) | 1 | 02-10 | AE | 95244-80103 |
| G281 | Gear, differential ring U250E (78T w/o id grooves 8 bolts) | 1 | 02-10 | AE | 95244-81003 |
| G281 | Gear, differential ring U250E (78T 3 id grooves 8 bolts) | 1 | 02-10 | AE | 95244-81303 |
| H283 | Case, front half U250E | 1 | 02-10 | AE | 95244-81503 |
| H300 | Case, rear half U250E | 1 | 02-10 | AE | 95244-82803 |
| H301 | Pan, bottom U250E | 1 | 02-10 | AE | 95244-83203 |
| H315 | Valve body w/solenoids U250E | 1 | 02-10 | AE | 95244-84003 |
| ELECTRICAL COMPONENTS | | | | | |
| n/i | Kit, solenoid (7 solenoids) U250E | 1 | 02-10 | 52-9034 | 95243-93004 |
| H324 | Switch, neutral start (MLSP) 9 pin (rivets hold it together) | 1 | 02-10 | n/a | 95243-85504 |
| H325 | Sensor, speed w/.175" metal tip input | 1 | 02-10 | n/a | 95243-85704 |
| H326 | Sensor, speed w/.175" metal tip output | 1 | 02-10 | n/a | 95243-85704 |
| H327 | Solenoid 5.1 ohm SL3 | 1 | 02-10 | 35220-45010 | 95243-88304 |
| H328 | Solenoid on/off 12 ohm SR/shift 2/3 | 1 | 02-10 | 35230-33020 | 95243-87104 |
| H329 | Solenoid on/off 12 ohm S4/shift 4/5 | 1 | 02-10 | 35230-33010 | 95243-87704 |
| H330 | Solenoid 5.1 ohm SL2/linear/shift 2/SS2 | 1 | 02-10 | 35220-45010 | 95243-88304 |
| H331 | Solenoid on/off 12 ohm DSL/lock-up/TCC | 1 | 02-10 | 35240-33030 | 95243-87404 |
| H332 | Solenoid 5.1 ohm (brown connector) SLT/linear/line control/EPC (2nd design) | 1 | 02-10 | 35290-45010 | 95243-88004 |
| H333 | Solenoid 5.1 ohm SL1/linear/shift 1/SS1 | 1 | 02-10 | 35210-33010 | 95243-88604 |
| H345 | Harness, internal wiring 13 prongs | 1 | 02-10 | n/a | 95243-89004 |

MULTI-CLUTCH BILLET CONVERTERS

DACCO



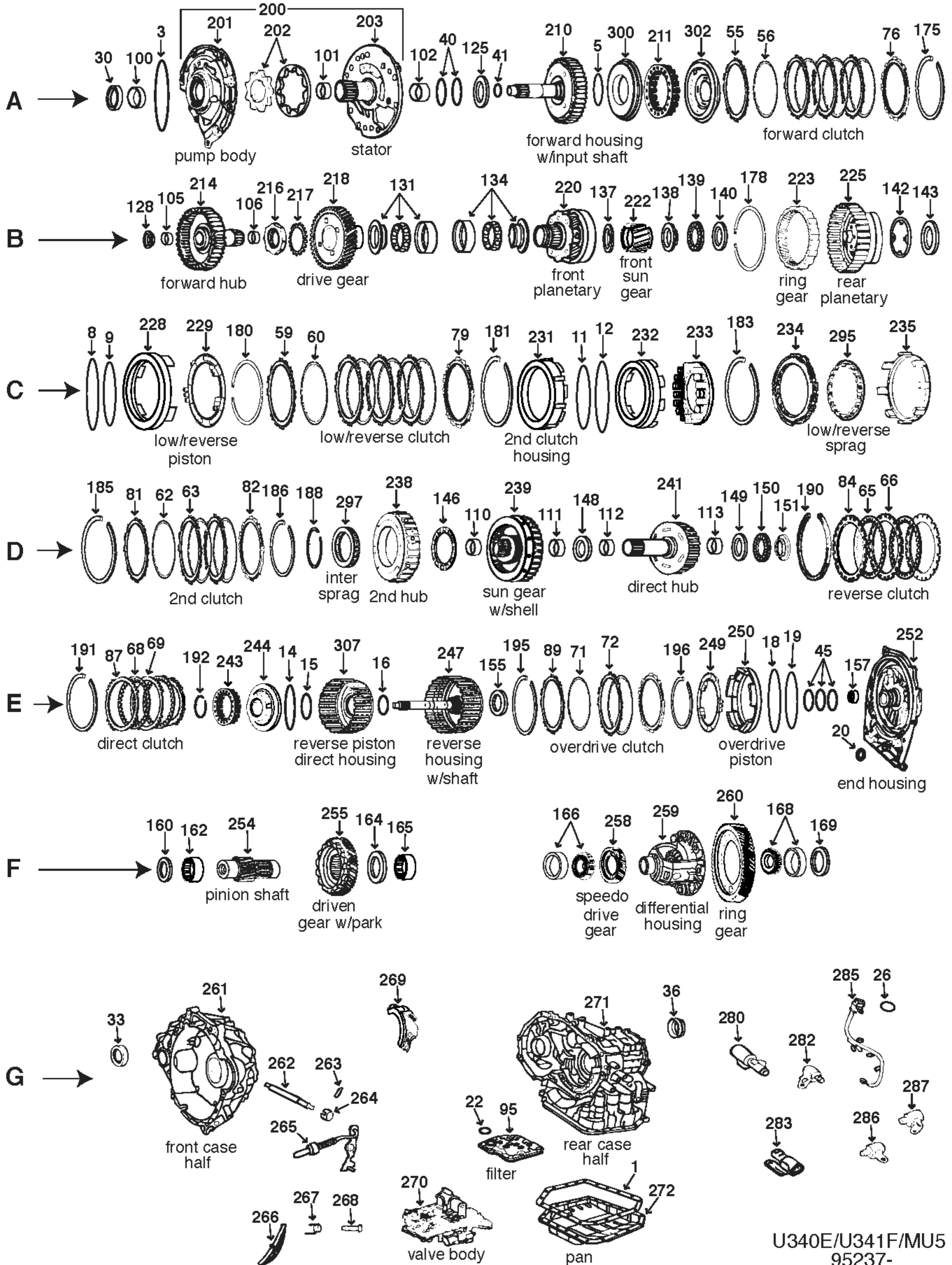
Heavy duty applications available for GM, Dodge, and Ford Trucks.

CUSTOMER DRIVEN
QUALITY FOCUSED
EMPLOYEE POWERED

DACCO
TRANSMISSION PARTS

Check out our website at:
www.daccoinc.com

 facebook.com/DACCOTrans



U340E/U341F/MU5
95237-

| ILL | DESCRIPTION | QTY | YEAR | REFERENCE # | PART # |
|--------------------------------------|--|-----|-------|-------------|-------------|
| TECHNICAL MANUALS | | | | | |
| K53 | Tech manual U340E/U341E dis/assembly diagnosis and troubleshooting | 1 | 00-09 | n/a | 010-480 |
| REBUILDER KITS | | | | | |
| K5 | Master kit w/steels U340E (w/pistons) | 1 | 00-09 | AE | 95237-11004 |
| K5 | Master kit w/steels U341F (w/pistons) | 1 | 03-09 | AE | 95237-11504 |
| K5 | Master kit w/steels U340E (w/o pistons) | 1 | 00-09 | AE | 95237-11104 |
| K5 | Master kit w/steels U341F (w/o pistons) | 1 | 03-09 | AE | 95237-11604 |
| K6 | Master kit w/o steels U340E/U341F (w/pistons) | 1 | 00-09 | AE | 95237-12004 |
| K6 | Master kit w/o steels U340E/U341F (w/o pistons) | 1 | 00-09 | AE | 95237-12104 |
| K6 | O/H gasket set w/seals-rings U340E/U341F (w/pistons) | 1 | 00-09 | APC-144800X | 95237-13004 |
| K7 | O/H gasket set w/seals-rings U340E/U341F (w/o pistons) | 1 | 00-09 | 2400 | 95237-13104 |
| VALVE BODY KITS | | | | | |
| K15 | Kit, valve body repair U340E/F/U341E/F | 1 | 00-09 | n/a | 95237-17009 |
| GASKETS AND RUBBER COMPONENTS | | | | | |
| G1 | Gasket, oil pan U340E/F/U341E/F | 1 | 00-09 | 35168-52020 | 14004X |
| A3 | O'ring pump body | 1 | 00-09 | 90301-99124 | 95237-21004 |
| G22 | O'ring filter | 1 | 00-09 | 90301-31010 | 13989 |
| n/i | Gasket, lower valve body U340E/F/U341E/F | 1 | 00-09 | 35488-52010 | 95237-28504 |
| n/i | Gasket, lower valve body (upper) U340E/F/U341E/F | 1 | 00-09 | 35477-52020 | 95237-28604 |
| n/i | O'ring input/output speed sensors | 2 | 00-09 | 90301-11008 | 13767 |
| METAL CLAD SEALS | | | | | |
| A30 | Seal, metal clad front | 1 | 00-09 | 90311-38077 | 46200 |
| G33 | Seal, metal clad U340E (right axle) | 1 | 00-08 | 90311-34007 | 95237-30904 |
| G33 | Seal, metal clad U341E (right axle) | 1 | 00-09 | 90311-35019 | 95237-30704 |
| G33 | Seal, metal clad U341F (right axle) | 1 | 03-07 | 90311-49002 | 95237-30804 |
| G36 | Seal, metal clad U340E (left axle) | 1 | 00-08 | 90311-34022 | 75201 |
| G36 | Seal, metal clad U341E (left axle) | 1 | 00-09 | 90311-35046 | 95237-30604 |
| n/i | Seal, metal clad 12x22x7mm manual lever shaft | 1 | 00-09 | 90311-12002 | 46202 |
| SEALING RINGS | | | | | |
| K10 | Kit, sealing ring U340E/f/U341E/F | 1 | 00-09 | 3455 | 95237-31504 |
| A40 | Ring, sealing (plastic) forward clutch | 2 | 00-09 | 35613-52010 | 95237-33104 |
| A41 | Ring, sealing (teflon) input/turbine shaft | 1 | 00-09 | 35712-52020 | 95237-33404 |
| E45 | Ring, sealing (plastic) direct clutch | 3 | 00-09 | 35617-52020 | 95237-33204 |
| CLUTCH PLATES | | | | | |
| A55 | Steel .074" 4.270" id 30T forward clutch | 4 | 00-09 | 35634-52020 | 95237-37604 |
| A56 | Friction .071" 5.100" od 40T forward clutch | 4 | 00-09 | 35633-52020 | 95237-35204 |
| C59 | Steel .070" 5.400" id 13T low/reverse clutch | 4 | 00-09 | 35693-52040 | 95237-37804 |
| C60 | Friction .071" 6.035" od 43T low/reverse clutch | 4 | 00-09 | 35683-52040 | 95237-35504 |
| D62 | Friction .071" 5.325" od 32T 2nd clutch brake | 3/4 | 00-09 | 35682-52020 | 95237-35804 |
| D63 | Steel .118" 5.650" id 13T 2nd clutch brake | 3/4 | 00-09 | 35678-52020 | 95237-38004 |
| D63 | Steel .078" 5.650" id 13T U341F (2nd clutch brake) | 3/4 | 03-09 | 35692-52020 | 95237-38104 |
| D65 | Friction .073" 4.590" 32T reverse clutch | 2/3 | 00-09 | 35677-52020 | 95237-36204 |
| D66 | Steel .070" 3.870" id 30T reverse clutch | 2/3 | 00-09 | 35648-52020 | 95237-38404 |
| E68 | Friction .071" 4.370" od 40T direct clutch | 3 | 00-09 | 35667-52020 | 95237-36504 |
| E69 | Steel .118" 3.400" id 30T direct clutch | 3 | 00-09 | 35675-52040 | 95237-38604 |
| E71 | Friction .071" 6.325" od 40T overdrive/2nd coast clutch | 2 | 00-09 | 34633-52020 | 95237-36904 |
| E72 | Steel .118" 5.560" id 15T overdrive clutch | 2 | 00-09 | 34625-52060 | 95237-38804 |
| PRESSURE PLATES | | | | | |
| A76 | Pressure plate forward clutch | 1 | 00-09 | AE | 95237-41103 |
| C79 | Pressure plate low/reverse clutch | 1 | 00-09 | AE | 95237-41403 |
| D81 | Pressure plate 2nd clutch brake | 1 | 00-09 | AE | 95237-41803 |
| D82 | Pressure plate 2nd clutch brake | 1 | 00-09 | AE | 95237-42203 |
| D84 | Pressure plate reverse clutch | 1 | 00-09 | AE | 95237-42603 |
| E87 | Pressure plate direct clutch | 1 | 00-09 | AE | 95237-42703 |

U340E•340•U341E•U341F•MU5

U340E•U341E•F•MU5

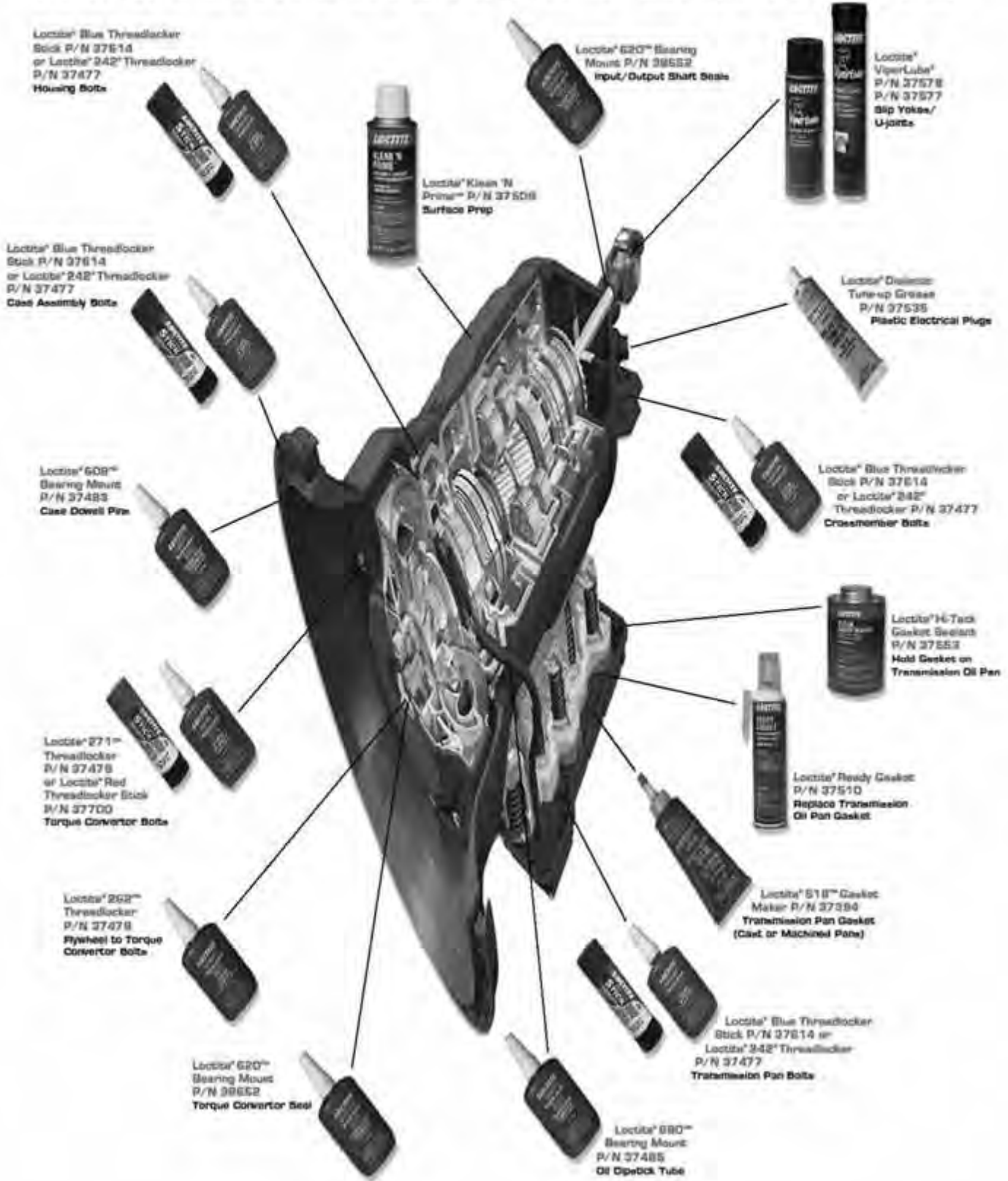
| ILL | DESCRIPTION | QTY | YEAR | REFERENCE # | PART # |
|-------------------------------------|---|-----|-------|-------------|-------------|
| PRESSURE PLATES (CONTINUED) | | | | | |
| E89 | Pressure plate overdrive clutch | 1 | 00-09 | AE | 95237-42903 |
| FILTERS | | | | | |
| K9 | Kit, filter U340E | 1 | 00-09 | AE | 95237-43504 |
| G95 | Filter U340E | 1 | 03-09 | 88971813 | 95237-45004 |
| BUSHINGS | | | | | |
| K13 | Kit, bushing U340E/U341E | 1 | 00-09 | AE | 95237-50004 |
| A100 | Bushing pump body | 1 | 00-09 | n/a | 46001 |
| A101 | Bushing stator (front) | 1 | 00-09 | n/a | 95237-50804 |
| A102 | Bushing stator (rear) | 1 | 00-09 | n/a | 95237-51004 |
| B106 | Bushing forward hub (front) | 1 | 00-09 | n/a | 95237-51204 |
| B106 | Bushing forward hub (rear) | 1 | 00-09 | n/a | 95237-51204 |
| D110 | Bushing sun gear w/shell (front) | 1 | 00-09 | n/a | 95237-52004 |
| D111 | Bushing sun gear w/shell (rear) | 1 | 00-09 | n/a | 95237-52004 |
| D112 | Bushing direct hub (front) | 1 | 00-09 | n/a | 95237-52204 |
| D113 | Bushing direct hub (rear) | 1 | 00-09 | n/a | 95237-52204 |
| WASHERS/BEARINGS/RACES/SHIMS | | | | | |
| K12 | Kit, thrust bearing U340E/U341F | 1 | 00-09 | AE | 95237-55104 |
| A125 | Bearing, thrust pump support to turbine shaft | 1 | 00-09 | n/a | 95237-56104 |
| B128 | Bearing, thrust forward hub to turbine shaft | 1 | 00-09 | n/a | 95237-56404 |
| B131 | Bearing, ball type w/inner/outer races drive gear to case half | 1 | 00-09 | n/a | 95237-56804 |
| B134 | Bearing, ball type w/inner/outer races front planetary to case half | 1 | 00-09 | n/a | 95237-56804 |
| B137 | Bearing, thrust front sun gear to front planetary | 1 | 00-09 | n/a | 95237-56904 |
| B138 | Race, thrust front sun gear to rear planetary | 1 | 00-09 | n/a | 95237-57204 |
| B139 | Bearing, thrust front sun gear to rear planetary | 1 | 00-09 | n/a | 95237-57404 |
| B140 | Race, thrust front sun gear to rear planetary | 1 | 00-09 | n/a | 95237-57504 |
| B142 | Thrust washer (plastic) 4 tabs rear planetary to 2nd clutch hub | 1 | 00-09 | n/a | 95237-57704 |
| B143 | Bearing, thrust rear planetary to sun gear w/shell | 1 | 00-09 | n/a | 95237-57804 |
| D146 | Bearing, thrust 2nd clutch hub to sun gear w/shell | 1 | 00-09 | n/a | 95237-58004 |
| D148 | Bearing, thrust sun gear w/shell to direct clutch hub | 1 | 00-09 | n/a | 95237-58404 |
| D149 | Race, thrust direct clutch hub to reverse housing | 1 | 00-09 | n/a | 95237-58604 |
| D150 | Bearing, thrust direct clutch hub to reverse housing | 1 | 00-09 | n/a | 95237-58704 |
| D151 | Race, thrust direct clutch hub to reverse housing | 1 | 00-09 | n/a | 95237-59004 |
| E155 | Bearing, thrust reverse housing to end housing | 1 | 00-09 | n/a | 95237-59204 |
| E157 | Bearing, caged reverse housing to end housing support | 1 | 00-09 | n/a | 95237-59604 |
| F160 | Bearing, thrust pinion shaft to case half | 1 | 00-09 | n/a | 95237-59804 |
| F162 | Bearing, caged pinion shaft to case half support | 1 | 00-09 | n/a | 95237-60104 |
| F164 | Bearing, thrust park/driven gear to case half | 1 | 00-09 | n/a | 95237-60504 |
| F165 | Bearing, caged park/driven gear to case half support | 1 | 00-09 | n/a | 95237-60804 |
| F166 | Bearing, cup/cone differential case to front case half | 1 | 00-09 | n/a | 95237-61004 |
| F168 | Bearing, cup/cone differential case to rear case half | 1 | 00-09 | n/a | 95237-61204 |
| F169 | Shim (washer) differential case to rear case half | sel | 00-09 | n/a | 95237-61404 |
| SNAP RINGS | | | | | |
| A175 | Snap ring forward pressure plate | 1 | 00-09 | n/a | 95237-62303 |
| B178 | Snap ring rear planetary ring gear | 1 | 00-09 | n/a | 95237-62603 |
| C180 | Snap ring low/reverse spring retainer | 1 | 00-09 | n/a | 95237-62903 |
| C181 | Snap ring low/reverse pressure plate | 1 | 00-09 | n/a | 95237-63203 |
| C183 | Snap ring 2nd clutch spring retainer | 1 | 00-09 | n/a | 95237-63603 |
| D185 | Snap ring 2nd clutch housing | 1 | 00-09 | n/a | 95237-64003 |
| D186 | Snap ring 2nd clutch pressure plate | 1 | 00-09 | n/a | 95237-64403 |
| D188 | Snap ring intermediate sprag | 1 | 00-09 | n/a | 95237-64903 |
| D190 | Snap ring reverse clutch pressure plate | 1 | 00-09 | n/a | 95237-65003 |
| E191 | Snap ring direct clutch pressure plate | 1 | 00-09 | n/a | 95237-65304 |
| E192 | Snap ring direct clutch spring retainer | 1 | 00-09 | n/a | 95237-65503 |

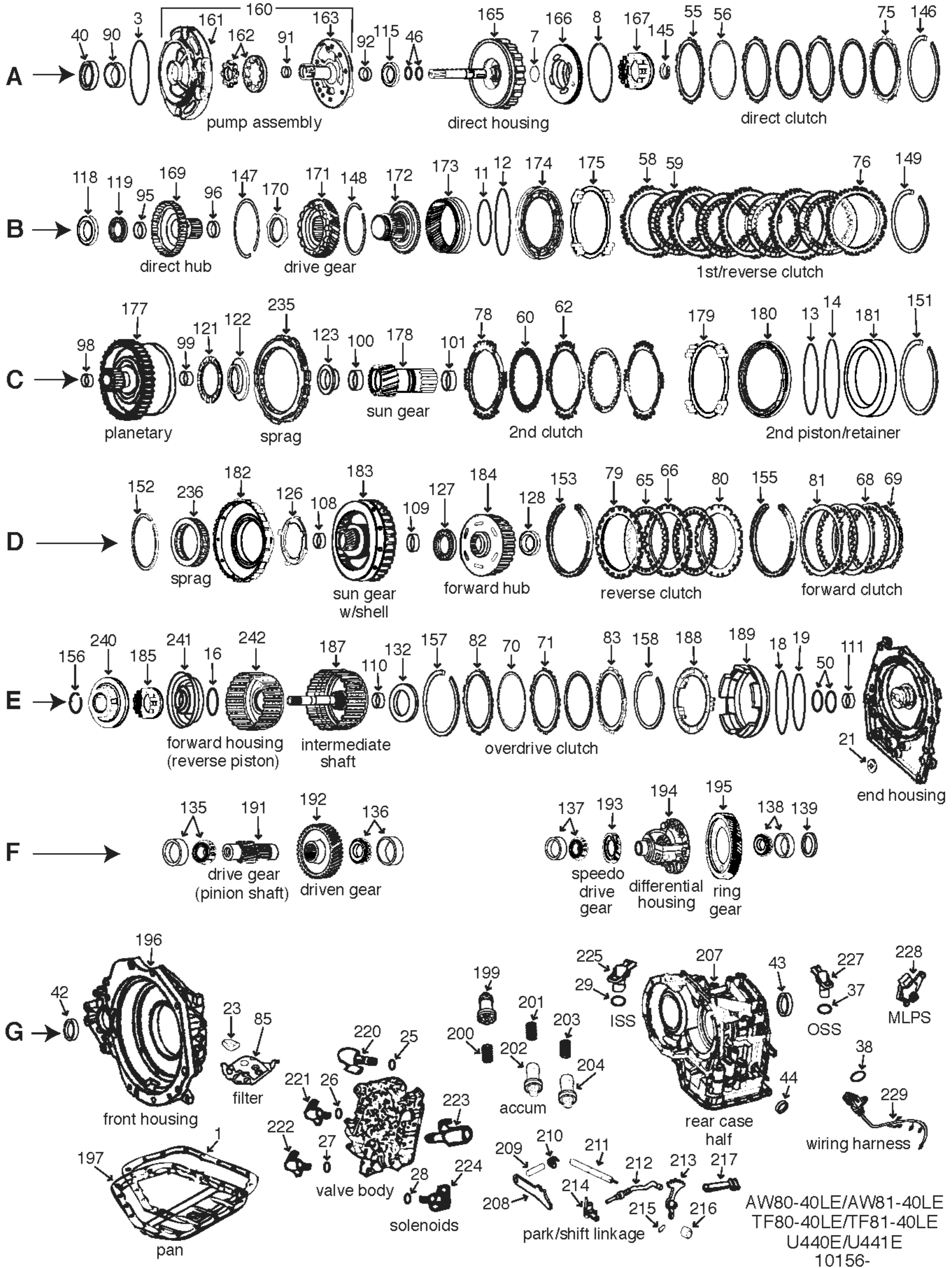
| ILL | DESCRIPTION | QTY | YEAR | REFERENCE # | PART # |
|-------------------------------|--|-----|-------|-------------|-------------|
| SNAP RINGS (CONTINUED) | | | | | |
| E195 | Snap ring overdrive clutch pressure plate | 1 | 00-09 | n/a | 95237-55603 |
| E196 | Snap ring overdrive clutch spring retainer | 1 | 00-09 | n/a | 95237-55803 |
| PUMP PARTS AND PUMPS | | | | | |
| A200 | Pump assembly exchange needed | 1 | 00-09 | AE | 95237-67003 |
| A201 | Pump body w/gears exchange needed | 1 | 00-09 | AE | 95237-67503 |
| A202 | Pump gears U340E/U341F | 1 | 00-09 | n/a | 95237-68104 |
| A203 | Stator (pump support) exchange needed | 1 | 00-09 | AE | 95237-68503 |
| HARD PARTS | | | | | |
| A210 | Housing, forward clutch (w/shaft) U340E/U341F | 1 | 00-09 | AE | 95237-72503 |
| A211 | Retainer, w/springs forward clutch | 1 | 00-09 | AE | 95237-72803 |
| B214 | Hub, forward U340E/U341F | 1 | 00-09 | AE | 95237-73003 |
| B216 | Nut U340E/U341F (drive gear) | 1 | 00-09 | AE | 95237-73203 |
| B217 | Retainer, nut (washer) U340E/U341F (keeps nut from coming loose) | 1 | 00-09 | AE | 95237-73303 |
| B218 | Gear, drive 52T U340E/U341F | 1 | 00-09 | AE | 95237-73403 |
| B220 | Planetary, front 21T pinions U340E/U341F | 1 | 00-09 | AE | 95237-74003 |
| B222 | Gear, sun 46T U340E/U341F (front) | 1 | 00-09 | AE | 95237-74403 |
| B223 | Gear, ring 85T U340E/U341F (front) | 1 | 00-09 | AE | 95237-74803 |
| B225 | Planetary, rear 21T pinions low/reverse inner sprag race | 1 | 00-09 | AE | 95237-75203 |
| C228 | Piston, low/reverse clutch U340E/U341F | 1 | 00-09 | AE | 95237-75503 |
| C229 | Retainer, low/reverse clutch U340E/U341F | 1 | 00-09 | AE | 95237-75803 |
| C231 | Housing, 2nd clutch U340E/U341F | 1 | 00-09 | AE | 95237-76003 |
| C232 | Piston, 2nd clutch U340E/U341F | 1 | 00-09 | AE | 95237-76203 |
| C233 | Retainer, w/springs U340E/U341F (2nd clutch) | 1 | 00-09 | AE | 95237-76503 |
| C234 | Race, outer w/sprag low/reverse U340E/U341F | 1 | 00-09 | AE | 95237-76703 |
| C235 | Ring, apply 8T U340E/U341F (2nd clutch) | 1 | 00-09 | AE | 95237-76903 |
| D238 | Hub, 2nd clutch U340E/U341F | 1 | 00-09 | AE | 95237-77203 |
| D239 | Shell, w/sun gear 38T U340E/U341F | 1 | 00-09 | AE | 95237-77503 |
| D241 | Hub, direct clutch U340E/U341F | 1 | 00-09 | AE | 95237-78003 |
| E243 | Retainer, w/springs U340E/U341E/F (direct clutch) | 1 | 00-09 | AE | 95237-78503 |
| E244 | Piston, direct clutch U340E/U341E/F | 1 | 00-09 | AE | 95237-78703 |
| E247 | Housing, reverse clutch (w/shaft) U340E/U341E/F | 1 | 00-09 | AE | 95237-79003 |
| E249 | Retainer, w/springs U340E/U341E/F (overdrive clutch) | 1 | 00-09 | AE | 95237-79503 |
| E250 | Piston, overdrive clutch U340E/U341E/F | 1 | 00-09 | AE | 95237-79903 |
| E252 | Housing, end U340E/U341E/F | 1 | 00-09 | AE | 95237-80203 |
| F254 | Gear, pinion (drive gear) 2 grooves 20T U340E/U341E/F | 1 | 00-09 | AE | 95237-80503 |
| F254 | Gear, pinion (drive gear) 3 grooves 19T U341F (AWD) | 1 | 03-09 | AE | 95237-80603 |
| F255 | Gear, driven (w/park gear) 53T U340E/U341E/F | 1 | 00-09 | AE | 95237-81003 |
| F255 | Gear, driven (w/park gear) 52T U340E/U341E/F | 1 | 00-09 | AE | 95237-81103 |
| F258 | Gear, drive (speedo) 25T U340E/U341E | 1 | 00-09 | AE | 95237-81403 |
| F258 | Gear, drive (speedo) 27T U341F (AWD) | 1 | 03-09 | AE | 95237-81503 |
| F259 | Housing, differential (w/23T spider gears) w/o 8 bolt ring gr 1.062" axle hole (2WD) | 1 | 00-09 | AE | 95237-82003 |
| F259 | Housing, differential (w/20T spider gears) w/o 8 bolt ring gr 1.087" axle hole (2WD) | 1 | 00-09 | AE | 95237-82103 |
| F259 | Housing, differential (w/23T spider gears) w/o 8 bolt ring gr 1.035" axle hole (AWD) | 1 | 03-09 | AE | 95237-82203 |
| F260 | Gear, differential ring 2 grooves 77T U340E/U341E | 1 | 00-09 | AE | 95237-82503 |
| F260 | Gear, differential ring 4 grooves 79T U341F (AWD) | 1 | 03-09 | AE | 95237-82603 |
| G261 | Housing, front case half U340E/U341E | 1 | 00-09 | AE | 95237-82803 |
| G262 | Shaft, shift U340E/U341F | 1 | 00-09 | AE | 95237-83003 |
| G265 | Rod, park U340E/U341F | 1 | 00-09 | AE | 95237-83603 |
| G266 | Pawl, park U340E/U341F | 1 | 00-09 | AE | 95237-83403 |
| G267 | Spring, park pawl U340E/U341F | 1 | 00-09 | AE | 95237-83203 |
| G268 | Pin, park pawl U340E/U341F | 1 | 00-09 | AE | 95237-83303 |
| G269 | Baffle, differential U340E/U341F | 1 | 00-09 | AE | 95237-84003 |
| G270 | Valve body w/solenoids U340E/U341E | 1 | 00-09 | AE | 95237-84203 |

LOCTITE®

TRANSMISSION APPLICATIONS

LOCTITE





AW80-40LE/AW81-40LE
 TF80-40LE/TF81-40LE
 U440E/U441E
 10156-

AW80-40LE•AW81-40LE•U440E•U441E•TF80-40LE•TF81-40LE

AW80-81-40LE•U440-41E•TF80-81-40LE

| ILL | DESCRIPTION | | QTY | YEAR | REFERENCE # | PART # |
|--------------------------------------|----------------------------------|------------------------------------|-----|-------|-------------|-------------|
| TECHNICAL MANUALS | | | | | | |
| K53 | Tech manual AW80/81 dis/assembly | diagnosis/troubleshooting | 1 | 04-10 | n/a | 010-334 |
| REBUILDER KITS | | | | | | |
| K5 | Master kit w/steels | w/pistons | 1 | 04-10 | AE | 10156-11004 |
| K5 | Master kit w/steels | w/o pistons | 1 | 04-10 | AE | 10156-11104 |
| K6 | Master kit w/o steels | w/pistons | 1 | 04-10 | AE | 10156-12004 |
| K6 | Master kit w/o steels | w/o pistons | 1 | 04-10 | AE | 10156-12104 |
| K11 | O/H gasket set w/seals-rings | w/pistons | 1 | 04-10 | AE | 10156-13004 |
| K7 | O/H gasket set w/seals-rings | w/o pistons | 1 | 04-10 | 2522 | 10156-13104 |
| VALVE BODY KITS | | | | | | |
| K15 | Shift Kit® | AW80/81-40LE | 1 | 04-10 | n/a | 10150-17009 |
| K15 | Shift Kit® | AW80/81-40LE | 1 | 04-10 | n/a | 10156-17009 |
| GASKETS AND RUBBER COMPONENTS | | | | | | |
| G1 | Gasket, oil pan | AW80/81-40LE | 1 | 04-10 | B11534 | 10156-18004 |
| n/i | Gasket, valve body | spacer plate to case (upper) | 1 | 04-10 | B36435 | 10156-28304 |
| n/i | Gasket, valve body | spacer plate to valve body (lower) | 1 | 04-10 | B36436 | 10156-28604 |
| METAL CLAD SEALS | | | | | | |
| G40 | Seal, metal clad | front | 1 | 04-10 | B29172 | 46200 |
| G42 | Seal, metal clad | right axle | 1 | 04-10 | B37099 | 10156-30204 |
| G43 | Seal, metal clad | left axle | 1 | 04-10 | B37098 | 10156-30504 |
| SEALING RINGS | | | | | | |
| K10 | Kit, sealing ring | | 1 | 04-10 | 3521 | 10156-31504 |
| CLUTCH PLATES | | | | | | |
| A55 | Steel .079" 4.005" id 12T | direct clutch | 1 | 04-10 | 187703-200 | 10156-37504 |
| A55 | Steel .071" 3.980" id 16T | direct clutch | 1 | 04-10 | 187703A-180 | 10156-37604 |
| A55 | Steel .091" 3.980" id 16T | direct clutch (8 notches) | 1 | 04-10 | 187703B-230 | 10156-37704 |
| A56 | Friction .073" 4.679" od 36T | direct clutch | 2 | 04-10 | 187702-185 | 10156-35104 |
| B58 | Steel .079" 5.146" id 12T | 1st/reverse clutch | 2 | 04-10 | 187707-200 | 10156-37804 |
| B59 | Friction .073" 6.062" od 50T | 1st/reverse clutch | 2 | 04-10 | 187706-185 | 10156-35204 |
| C60 | Friction .073" 5.565" od 48T | 2nd clutch | 4 | 04-10 | 187708-185 | 10156-35304 |
| C62 | Steel .072" 5.044" id 12T | 2nd clutch | 4 | 04-10 | 187709-183 | 10156-37904 |
| D65 | Friction .073" 4.622" od 30T | reverse clutch | 2 | 04-10 | 187704-185 | 10156-35404 |
| D66 | Steel .079" 5.146" id 12T | reverse clutch | 2 | 04-10 | 187705-183 | 10156-38004 |
| D68 | Friction .073" 4.418" od 30T | forward clutch | 4 | 04-10 | 187700-185 | 10156-35504 |
| D69 | Steel .072" 3.786" id 18T | forward clutch | 4 | 04-10 | 187701-183 | 10156-38104 |
| E70 | Friction .073" 6.615" od 36T | overdrive clutch | 2 | 04-10 | 187710-185 | 10156-35604 |
| E71 | Steel .071" 5.878" id 12T | overdrive clutch | 1 | 04-10 | 187711-180 | 10156-38204 |
| E71 | Steel .080" 5.878" id 12T | overdrive clutch | 1 | 04-10 | 187711-203 | 10156-38304 |
| E71 | Steel .087" 5.878" id 12T | overdrive clutch | 1 | 04-10 | 187711-220 | 10156-38404 |
| PRESSURE PLATES | | | | | | |
| A75 | Pressure plate | direct clutch | 1 | 04-10 | AE | 10156-41103 |
| B76 | Pressure plate | 1st/reverse clutch | 1 | 04-10 | AE | 10156-41403 |
| C78 | Pressure plate | 2nd clutch | 1 | 04-10 | AE | 10156-41803 |
| D79 | Pressure plate | reverse clutch (backing) | 1 | 04-10 | AE | 10156-42203 |
| D80 | Pressure plate | reverse clutch (apply) | 1 | 04-10 | AE | 10156-42503 |
| D81 | Pressure plate | forward clutch | 1 | 04-10 | AE | 10156-42703 |
| E82 | Pressure plate | overdrive clutch (backing) | 1 | 04-10 | AE | 10156-43003 |
| E83 | Pressure plate | overdrive clutch (apply) | 1 | 04-10 | AE | 10156-43203 |
| FILTERS | | | | | | |
| K9 | Kit, filter | AW80/81-40LE | 1 | 04-10 | AE | 10156-43504 |
| G85 | Filter | AW80/81-40LE | 1 | 04-10 | 35330-52010 | 10156-45004 |
| | | | | | | |
| | | | | | | |

AW80-40LE•AW81-40LE•U440E•U441E•TF80-40LE•TF81-40LE

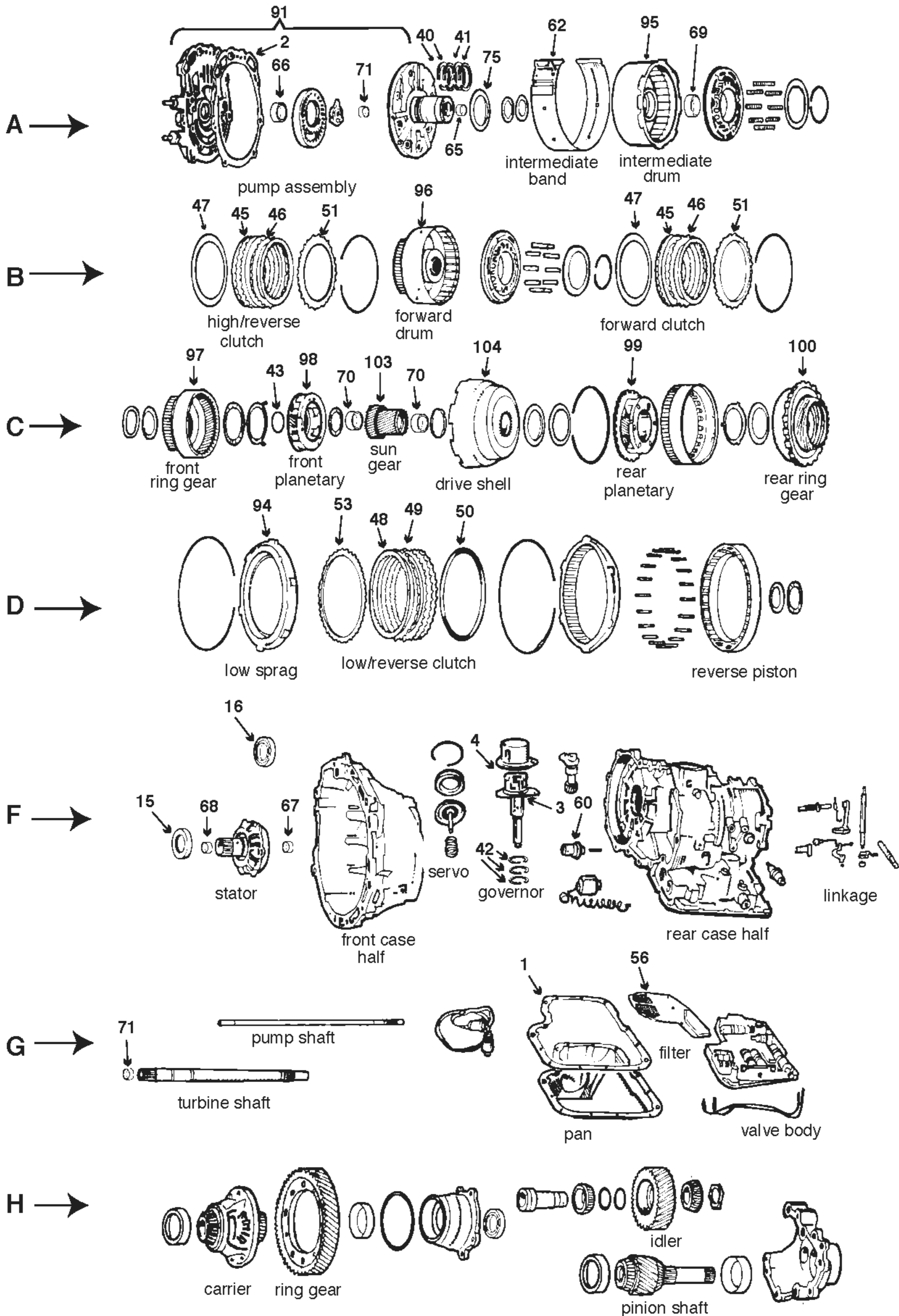
AW80-81-40LE•U440•41E•TF80•81-40LE

| ILL | DESCRIPTION | QTY | YEAR | REFERENCE # | PART # |
|-------------------------------------|-------------------------|-----|-------|-------------|-------------|
| BUSHINGS | | | | | |
| K13 | Kit, bushing | 1 | 04-10 | n/a | 10156-50004 |
| A90 | Bushing | 1 | 04-10 | n/a | 10156-50604 |
| A91 | Bushing | 1 | 04-10 | n/a | 10156-50704 |
| A92 | Bushing | 1 | 04-10 | n/a | 10156-50804 |
| B95 | Bushing | 1 | 04-10 | n/a | 10156-50904 |
| B96 | Bushing | 1 | 04-10 | n/a | 10156-51004 |
| C98 | Bushing | 1 | 04-10 | n/a | 10156-51104 |
| C99 | Bushing | 1 | 04-10 | n/a | 10156-51204 |
| C100 | Bushing | 1 | 04-10 | n/a | 10156-51304 |
| C101 | Bushing | 1 | 04-10 | n/a | 10156-51404 |
| D108 | Bushing | 1 | 04-10 | n/a | 10156-51504 |
| D109 | Bushing | 1 | 04-10 | n/a | 10156-51604 |
| E110 | Bushing | 1 | 04-10 | n/a | 10156-51704 |
| WASHERS/BEARINGS/RACES/SHIMS | | | | | |
| K12 | Kit, thrust bearing | 1 | 04-10 | n/a | 10156-55104 |
| A115 | Bearing, thrust | 1 | 04-10 | n/a | 10156-56104 |
| B118 | Race, thrust bearing | 1 | 04-10 | na/ | 10156-56304 |
| B119 | Bearing, thrust | 1 | 04-10 | n/a | 10156-56404 |
| C121 | Bearing, thrust | 1 | 04-10 | n/a | 10156-56704 |
| C122 | Bearing, thrust | 1 | 04-10 | n/a | 10156-56804 |
| C123 | Race, thrust bearing | 1 | 04-10 | n/a | 10156-56904 |
| D126 | Thrust washer (4 tabs) | 1 | 04-10 | n/a | 10156-57304 |
| D127 | Bearing, thrust | 1 | 04-10 | n/a | 10156-57404 |
| D128 | Bearing, thrust | 1 | 04-10 | n/a | 10156-57504 |
| E132 | Bearing, thrust | 1 | 04-10 | n/a | 10156-58204 |
| F135 | Bearing, cup/cone | 1 | 04-10 | n/a | 10156-61004 |
| F136 | Bearing, cup/cone | 1 | 04-10 | n/a | 10156-61104 |
| F137 | Bearing, cup/cone | 1 | 04-10 | n/a | 10156-61204 |
| F138 | Bearing, cup/cone | 1 | 04-10 | n/a | 10156-61304 |
| SNAP RINGS | | | | | |
| A145 | Snap ring | 1 | 04-10 | AE | 10156-62103 |
| A146 | Snap ring | 1 | 04-10 | AE | 10156-62203 |
| B147 | Snap ring | 1 | 04-10 | AE | 10156-62303 |
| B148 | Snap ring | 1 | 04-10 | AE | 10156-62403 |
| B149 | Snap ring | 1 | 04-10 | AE | 10156-62503 |
| C151 | Snap ring | 1 | 04-10 | AE | 10156-62603 |
| D152 | Snap ring | 1 | 04-10 | AE | 10156-62703 |
| D153 | Snap ring | 1 | 04-10 | AE | 10156-62803 |
| D155 | Snap ring | 1 | 04-10 | AE | 10156-63203 |
| E156 | Snap ring | 1 | 04-10 | AE | 10156-63403 |
| E157 | Snap ring | 1 | 04-10 | AE | 10156-63703 |
| E158 | Snap ring | 1 | 04-10 | AE | 10156-64103 |
| PUMP PARTS AND PUMPS | | | | | |
| A160 | Pump assembly | 1 | 04-10 | AE | 10156-67003 |
| A162 | Gears, pump | 1. | 04-10 | n/a | 10156-77104 |
| A163 | Support, pump | 1 | 04-10 | AE | 10156-77203 |
| HARD PARTS | | | | | |
| A165 | Housing, direct clutch | 1 | 04-10 | AE | 10156-72103 |
| A166 | Piston, direct clutch | 1 | 04-10 | AE | 10156-72503 |
| A167 | Retainer, direct clutch | 1 | 04-10 | AE | 10156-72603 |
| B169 | Hub, direct clutch | 1 | 04-10 | AE | 10156-73003 |
| B170 | Nut | 1 | 04-10 | AE | 10156-73103 |
| B171 | Gear, drive | 1 | 04-10 | AE | 10156-73203 |

AW80-40LE•AW81-40LE•U440E•U441E•TF80-40LE•TF81-40LE

AW80•81-40LE•U440•41E•TF80•81-40LE

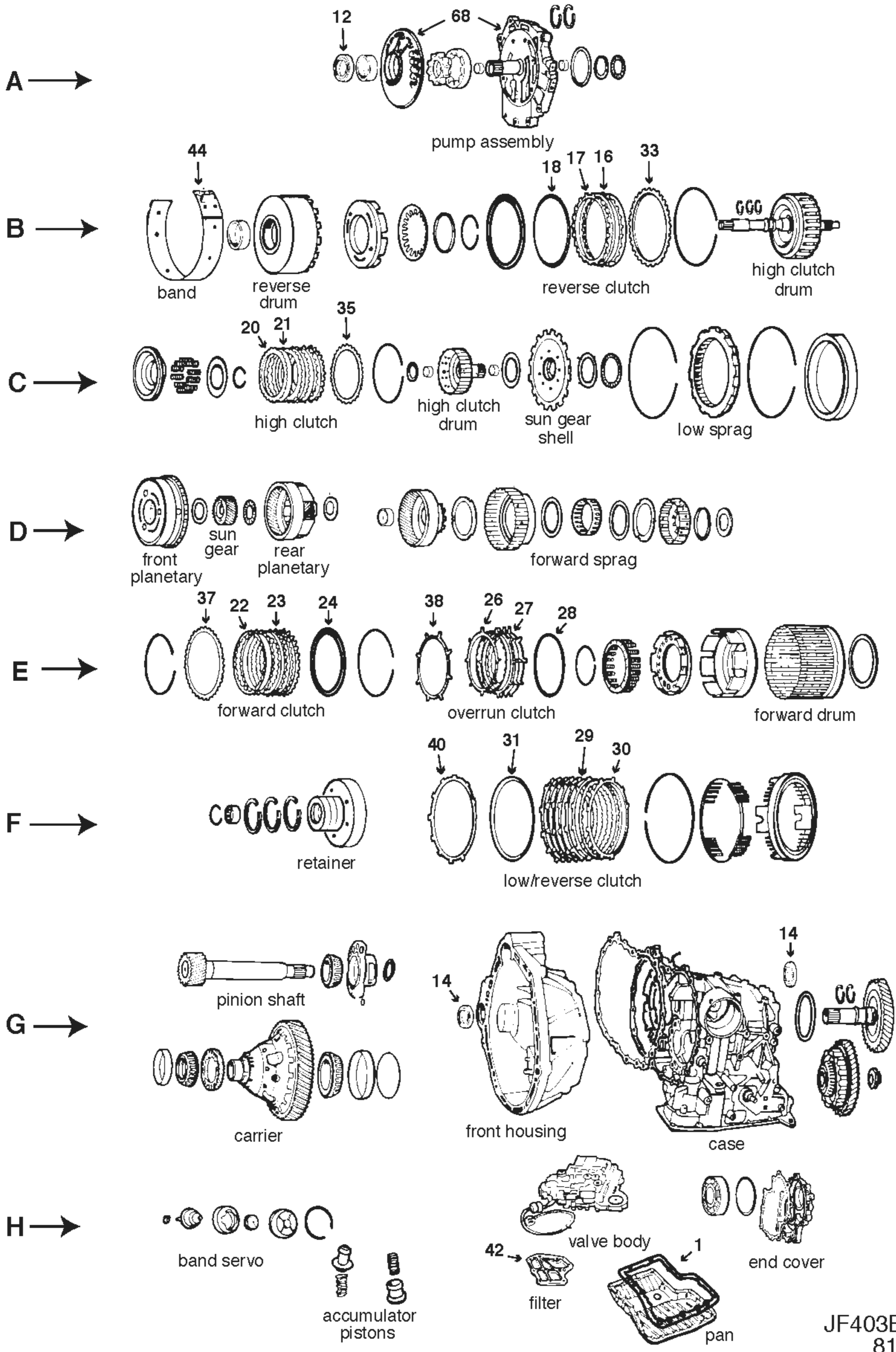
| ILL | DESCRIPTION | QTY | YEAR | REFERENCE # | PART # |
|-------------------------------|--------------------------------------|-----|-------|-------------|-------------|
| HARD PARTS (CONTINUED) | | | | | |
| B172 | Hub, drive gear | 1 | 04-10 | AE | 10156-73503 |
| B173 | Gear, ring gear | 1 | 04-10 | AE | 10156-73603 |
| B174 | Piston, 1st/reverse clutch | 1 | 04-10 | AE | 10156-73703 |
| B175 | Retainer, 1st/reverse clutch | 1 | 04-07 | AE | 10156-73803 |
| C177 | Planetary assembly | 1 | 04-10 | AE | 10156-74003 |
| C178 | Gear, sun | 1 | 04-10 | AE | 10156-74503 |
| C179 | Spring, w/retainer 2nd clutch | 1 | 04-07 | AE | 10156-74803 |
| C180 | Piston, 2nd clutch | 1 | 04-10 | AE | 10156-74903 |
| D182 | Race, outer sprag | 1 | 04-10 | AE | 10156-75403 |
| D183 | Shell, w/sun gear (inner sprag race) | 1 | 04-10 | AE | 10156-75503 |
| D184 | Hub, forward clutch | 1 | 04-10 | AE | 10156-75803 |
| E187 | Housing, intermediate shaft | 1 | 04-10 | AE | 10156-76003 |
| E188 | Retainer, w/springs | 1 | 04-10 | AE | 10156-76203 |
| E189 | Piston, overdrive clutch | 1 | 04-10 | AE | 10156-76303 |
| E190 | Housing, end cover | 1 | 04-10 | AE | 10156-76503 |
| F191 | Shaft, pinion | 1 | 04-10 | AE | 10156-76603 |
| F192 | Gear, driven | 1 | 04-10 | AE | 10156-77003 |
| F194 | Differential, assembly | 1 | 04-10 | AE | 10156-78003 |
| G199 | Piston, accumulator | 1 | 04-10 | AE | 10156-78503 |
| G200 | Spring, accumulator | 1 | 04-10 | AE | 10156-78803 |
| G201 | Spring, accumulator | 1 | 04-10 | AE | 10156-78903 |
| G202 | Piston, accumulator | 1 | 04-10 | AE | 10156-78603 |
| G203 | Spring, accumulator | 1 | 04-10 | AE | 10156-79003 |
| G204 | Piston, accumulator | 1 | 04-10 | AE | 10156-78703 |
| G205 | Pawl, park | 1 | 04-10 | AE | 10156-80103 |
| G206 | Pin, park | 1 | 04-10 | AE | 10156-80203 |
| G207 | Spring, park pawl | 1 | 04-10 | AE | 10156-80303 |
| G208 | Shaft, shift | 1 | 04-10 | AE | 10156-80403 |
| G209 | Guide, park rod | 1 | 04-10 | AE | 10156-80503 |
| G210 | Rod, park | 1 | 04-10 | AE | 10156-80603 |
| G211 | Cone, rooster | 1 | 04-10 | AE | 10156-80703 |
| G212 | Pin, roll shift shaft | 1 | 04-10 | AE | 10156-80803 |
| G213 | Spacer, shift shaft (sleeve) | 1 | 04-10 | AE | 10156-80903 |
| G214 | Spring, detent | 1 | 04-10 | AE | 10156-81003 |
| ELECTRICAL COMPONENTS | | | | | |
| G220 | Solenoid | 1 | 04-10 | n/a | 10156-85004 |
| G221 | Solenoid | 1 | 04-10 | n/a | 10156-85104 |
| G222 | Solenoid | 1 | 04-10 | n/a | 10156-85204 |
| G222 | Solenoid | 1 | 04-10 | n/a | 10156-85304 |
| G223 | Solenoid | 1 | 04-10 | n/a | 10156-85404 |
| G225 | Sensor | 1 | 04-10 | n/a | 10156-86504 |
| G227 | Sensor | 1 | 04-10 | n/a | 10156-86604 |
| G228 | Switch, MLPS | 1 | 04-10 | n/a | 10156-90104 |
| G229 | Harness, internal wiring | 1 | 04-10 | n/a | 10156-90303 |
| SPRAGS | | | | | |
| D235 | Sprag, assembly | 1 | 04-10 | n/a | 10156-94004 |
| D235 | Sprag assembly | 1 | 04-10 | AE | 10156-94003 |
| D236 | Sprag, w/washers | 1 | 04-10 | n/a | 10156-94104 |
| BONDED PISTONS | | | | | |
| E240 | Piston, bonded rubber | 1 | 04-10 | 93741601 | 10156-96104 |
| E241 | Piston, bonded rubber | 1 | 04-10 | 93741562 | 10156-96204 |
| E242 | Piston, bonded rubber | 1 | 04-10 | 93741550 | 10156-96304 |



F3A
65000

| ILL | DESCRIPTION | QTY | YEAR | REFERENCE # | PART # |
|--------------------------------------|---|-----|-------|--------------|----------|
| REBUILDER KITS | | | | | |
| K4 | Master deluxe rebuild kit F3A (Jatco) | 1 | 81-97 | AE | K6500-R |
| K5 | Master kit w/steels F3A (Jatco) | 1 | 81-97 | AE | K6500 |
| K6 | Master kit w/o steels F3A (Jatco) | 1 | 81-97 | AE | K6500-LS |
| K7 | O/H gasket set w/seals-rings GM/Isuzu (axle seals not included) | 1 | 81-97 | AE | K65900 |
| K11 | Gasket and seal kit F3A (Jatco) | 1 | 81-97 | AE | K65900-1 |
| GASKETS AND RUBBER COMPONENTS | | | | | |
| G1 | Gasket, oil pan F3A (Jatco) neoprene/cork | 1 | 81-97 | 94140737 | 13190X |
| G1 | Gasket, oil pan F3A (Jatco) Duraprene® | 1 | 81-97 | 94140737F | 13190D |
| A2 | Gasket, oil pump F3A (Jatco) | 1 | 81-97 | 94140705 | 13784 |
| F3 | Gasket, governor F3A (Jatco) | 1 | 81-97 | 94140811 | 13785 |
| F4 | Gasket, governor cover F3A (Jatco) | 1 | 81-97 | 94140813 | 13786 |
| n/i | O'ring F3A (Jatco) filler tube | 1 | 81-97 | 94000710 | 23859 |
| n/i | O'ring F3A (Jatco) manual lever shaft | 1 | 81-97 | 9954-10-1001 | 13103 |
| n/i | O'ring F3A (Jatco) modulator/solenoid | 2 | 81-97 | 94140714 | 13822 |
| n/i | O'ring F3A (Jatco) speedo sleeve | 1 | 81-97 | 1011-17-443 | 23861 |
| METAL CLAD SEALS | | | | | |
| F15 | Seal, metal clad F3A (Jatco) front | 1 | 81-97 | 9410686 | 65200 |
| F16 | Seal, metal clad Mazda (left/right axle) | 2 | 81-97 | FU03-27-238 | 63201 |
| F16 | Seal, metal clad GM/Isuzu (left/right axle) | 2 | 85-97 | 8666007 | 51201 |
| n/i | Seal, metal clad 16x7x6mm F3A (Jatco) speedometer | 1 | 81-97 | 9958-60-8166 | 50207 |
| SEALING RINGS | | | | | |
| K10 | Kit, sealing ring F3A (Jatco) | 1 | 81-97 | AE | K65300 |
| A40 | Sealing ring (metal) F3A (Jatco) pump stator (front) | 2 | 81-97 | 94140825 | 45300 |
| A41 | Sealing ring (metal) F3A (Jatco) pump stator (rear) | 2 | 81-97 | 94140826 | 45302 |
| F42 | Ring, sealing F3A (Jatco) governor | 3 | 81-97 | 34140899 | 65301T |
| C43 | Ring, sealing F3A (Jatco) lube oil | 1 | 81-97 | FT05-19-538 | 45303 |
| CLUTCH PLATES | | | | | |
| B45 | Friction .061" 4.530" od 44T F3A (Jatco) forward/direct clutch | 7/8 | 81-97 | 94140870 | 45103 |
| B46 | Steel .063" 3.625" id 28T F3A (Jatco) forward/direct clutch | 7/8 | 81-97 | 94140871 | 65101 |
| B47 | Steel, dished (not in kits) F3A (Jatco) forward/direct clutch | 2 | 81-97 | 94140869 | 45104-R |
| D48 | Friction .061" 5.790" 62T F3A (Jatco) low/reverse clutch | 4/5 | 81-97 | 94140788 | 65104 |
| D49 | Steel .059" 5.123" 37T F3A (Jatco) low/reverse clutch | 4/5 | 81-97 | 94140789 | 65105 |
| D50 | Steel, dished F3A (Jatco) low/reverse clutch | 1 | 81-97 | FT01-19-608 | 65107-R |
| PRESSURE PLATES | | | | | |
| B51 | Pressure plate .189" F3A (Jatco) forward/direct clutch | sel | 81-97 | 94140874 | 65716-R |
| B51 | Pressure plate .197" F3A (Jatco) forward/direct clutch | sel | 81-97 | 3959-19-505 | 65716A-R |
| B51 | Pressure plate .205" F3A (Jatco) forward/direct clutch | sel | 81-97 | 3959-19-506 | 65716B-R |
| B51 | Pressure plate .213" F3A (Jatco) forward/direct clutch | sel | 81-97 | 3959-19-507 | 65716C-R |
| B51 | Pressure plate 5.6mm F3A (Jatco) forward/direct clutch | sel | 81-97 | 3959-19-508 | 65716D-R |
| B51 | Pressure plate 5.8mm F3A (Jatco) forward/direct clutch | sel | 81-97 | 3959-19-509 | 65716E-R |
| B51 | Pressure plate 6.0mm F3A (Jatco) forward/direct clutch | sel | 81-97 | 0338-19-515 | 65716F-R |
| D53 | Pressure plate 7.8mm F3A (Jatco) low/reverse clutch | sel | 81-97 | FT01-19-618B | 65718-R |
| D53 | Pressure plate 8.0mm F3A (Jatco) low/reverse clutch | sel | 81-97 | FT01-19-617B | 65718A-R |
| D53 | Pressure plate 8.2mm F3A (Jatco) low/reverse clutch | sel | 81-97 | FT01-19-613B | 65718B-R |
| D53 | Pressure plate 8.4mm F3A (Jatco) low/reverse clutch | sel | 81-97 | FT01-19-614B | 65718C-R |
| D53 | Pressure plate 8.6mm F3A (Jatco) low/reverse clutch | sel | 81-97 | FT01-19-615B | 65718D-R |
| D53 | Pressure plate 8.8mm F3A (Jatco) low/reverse clutch | sel | 81-97 | FT01-19-616B | 65718E-R |
| | | | | | |
| | | | | | |
| | | | | | |
| | | | | | |
| | | | | | |
| | | | | | |

| ILL | DESCRIPTION | QTY | YEAR | REFERENCE # | PART # |
|-------------------------------------|--|-----|-------|--------------|----------|
| FILTERS | | | | | |
| K9 | Kit, filter Mazda (neoprene/cork) | 1 | 81-87 | AE | FK65800 |
| K9 | Kit, filter Mazda (Duraprene®) | 1 | 81-87 | AE | DK65800 |
| K9 | Kit, filter 1985-86 GM/1980-84 Isuzu (neoprene/cork) | 1 | 85-89 | AE | FK65800A |
| K9 | Kit, filter 1985-86 GM/1980-84 Isuzu (Duraprene®) | 1 | 85-89 | AE | DK65800A |
| K9 | Kit, filter Mercury Tracer (neoprene/cork) | 1 | 87-90 | AE | FK65800B |
| K9 | Kit, filter Mercury Tracer (Duraprene®) | 1 | 87-90 | AE | DK65800B |
| K9 | Kit, filter (with tube) GM/Isuzu/Geo (neoprene/cork) | 1 | 87-97 | AE | FK65800C |
| K9 | Kit, filter (with tube) GM/Isuzu/Geo (Duraprene®) | 1 | 87-97 | AE | DK65800C |
| K9 | Kit, filter Ford Festiva (neoprene/cork) | 1 | 88-93 | AE | FK65800D |
| K9 | Kit, filter Ford Festiva (Duraprene®) | 1 | 88-93 | AE | DK65800D |
| K9 | Kit, filter (with short tube) Aspire (neoprene/cork) | 1 | 94-97 | AE | FK65800E |
| K9 | Kit, filter (with short tube) Aspire (Duraprene®) | 1 | 94-97 | AE | DK65800E |
| G56 | Filter Mazda | 1 | 81-87 | FT01-19-815 | 65800 |
| G56 | Filter 1985-86 GM/1985-89 Isuzu | 1 | 85-89 | 94413320 | 65800A |
| G56 | Filter Mercury Tracer | 1 | 87-90 | E7GZ-7A098A | 65800B |
| G56 | Filter (with tube) GM/Isuzu/Geo | 1 | 87-97 | 94428489 | 65800C |
| G56 | Filter Ford Festiva | 1 | 88-93 | E9BZ-7A098-A | 65800D |
| G56 | Filter (with short tube) Aspire | 1 | 94-97 | F4BZ-7A098-A | 65800E |
| MODULATORS | | | | | |
| F60 | Modulator, vacuum F3A | 1 | 81-93 | 94140717 | 45820A |
| F60 | Modulator, vacuum F3A | 1 | 94-97 | F4BZ-7A337-A | 46820B |
| BANDS | | | | | |
| A62 | Band, intermediate (flex) intermediate brake | 1 | 81-97 | 94140765 | 65700 |
| BUSHINGS | | | | | |
| K13 | Kit, bushing F3A (12 pieces) | 1 | 81-97 | AE | K65901 |
| A65 | Bushing F3A (pump cover front) | 1 | 81-97 | 31452-X5000 | 65002 |
| A66 | Bushing F3A (pump inner gear) | 1 | 81-97 | 31358-X5000 | 65004 |
| A67 | Bushing 23.10" od x 15.30" ht F3A (stator rear) | 1 | 81-84 | 31343-X5000 | 65005 |
| A67 | Bushing 23.85" od x 13.20" ht F3A (stator rear) | 1 | 85-97 | 31343-X5100 | 65009 |
| A68 | Bushing 23.85" od x 8.30" ht F3A (stator front) | 1 | 85-97 | 31375-X5100 | 65009A |
| A69 | Bushing F3A (front clutch drum) | 1 | 85-97 | 31513-X5000 | 65006 |
| C70 | Bushing F3A (sun gear) | 2 | 81-97 | 31462-X5000 | 65007 |
| AG71 | Bushing F3A (turbine shaft and pump cover rear) | 2 | 81-97 | 31353-X5000 | 65003 |
| n/i | Bushing 36mm od F3A (converter) | 1 | 94-97 | 31137-X5000 | 65001 |
| n/i | Bushing 37mm od F3A (converter)(Aspire) | 1 | 81-97 | n/a | 65001A |
| n/i | Bushing F3A (governor shaft) | 1 | 81-97 | 31883-X5000 | 65008 |
| WASHERS/BEARINGS/RACES/SHIMS | | | | | |
| A75 | Washer, thrust .065" F3A (stator to intermediate drum) | sel | 81-97 | 94144370 | 45400B |
| A75 | Washer, thrust .077" F3A (stator to intermediate drum) | sel | 81-97 | 94144769 | 45400C |
| A75 | Washer, thrust .085" F3A (stator to intermediate drum) | sel | 81-97 | 94144365 | 45400D |
| A75 | Washer, thrust .093" F3A (stator to intermediate drum) | sel | 81-97 | 94144366 | 45400E |
| A75 | Washer, thrust .097" F3A (stator to intermediate drum) | sel | 81-97 | 94144367 | 45400F |
| PUMP PARTS AND PUMPS | | | | | |
| A91 | Pump, assembly w/gears F3A | 1 | 81-97 | 94140704 | 65910-R |
| HARD PARTS | | | | | |
| A95 | Drum, direct clutch (front) F3A | 1 | 81-97 | 94140864 | 65921-R |
| B96 | Drum, forward clutch (rear) F3A | 1 | 81-97 | 94140876 | 65922-R |
| C97 | Gear, ring (w/id groove) F3A (front planetary) | 1 | 81-97 | 94140773 | 65924-R |
| C97 | Gear, ring (w/o id groove) F3A (front planetary) | 1 | 81-97 | 97014289 | 65924A-R |
| C98 | Planetary, front (1 groove 3 gears) F3A | 1 | 81-97 | 94140729 | 65925-R |
| C98 | Planetary, front (1 groove 4 gears) F3A | 1 | 81-97 | FT01-19-540A | 65925A-R |
| C98 | Planetary, front (no groove 3 gears) F3A | 1 | 81-97 | 97014292 | 65925B-R |
| C99 | Planetary, rear (1 groove) F3A | 1 | 81-97 | 94140787 | 65930-R |



JF403E/LJ4A-EL
81000

| ILL | DESCRIPTION | | QTY | YEAR | REFERENCE # | PART # |
|--------------------------------------|---|---|-----|-------|--------------|------------|
| REBUILDER KITS | | | | | | |
| K5 | Master kit w/steels | JF403E | 1 | 90-93 | AE | K8100 |
| K5 | Master kit w/steels | LJ4A-EL | 1 | 95-02 | AE | K8100A |
| K6 | Master kit w/o steels | JF403E | 1 | 90-93 | AE | K8100-LS |
| K6 | Master kit w/o steels | LJ4A-EL | 1 | 95-02 | AE | K8100A-LS |
| K7 | O/H gasket set w/seals-rings | all | 1 | 90-02 | AE | K81900 |
| VALVE BODY KITS | | | | | | |
| K15 | Shift Kit@ JF403E/LJ4AEL | improved shift and high temp rings | 1 | 90-02 | SK@ LJ4AEL | K81908 |
| K15 | Reprogramming Kit™ (trick valve) | JF403E/LJ4A-EL (hot rod/street showoff) | 1 | 90-02 | LJ4AEL-HD2 | LJ4AEL-HD2 |
| GASKETS AND RUBBER COMPONENTS | | | | | | |
| H1 | Gasket, oil pan | neoprene/cork | 1 | 90-93 | 94385731 | 13146X |
| H1 | Gasket, oil pan | Duraprene® | 1 | 90-93 | 94385731 | 13146D |
| H1 | Gasket, oil pan | neoprene/cork | 1 | 95-02 | n/a | 13146AX |
| H1 | Gasket, oil pan | Duraprene® | 1 | 95-02 | n/a | 13146AD |
| n/i | Gasket | pump to case | 1 | 90-02 | 97032223 | 23396 |
| n/i | O'ring | pump to case | 1 | 90-02 | 31526-80X00 | 23086 |
| n/i | O'ring | output speed sensor | 1 | 90-02 | 31526-41X05 | 23083 |
| n/i | O'ring | turbine shaft | 1 | 90-02 | 31526-80X01 | 23085 |
| n/i | Seal | low/reverse (feed) | 1 | 90-02 | 94355683 | 23033 |
| n/i | Seal | valve body to case | 4 | 90-02 | 31528-31X06 | 23034 |
| METAL CLAD SEALS | | | | | | |
| A12 | Seal, metal clad | LJ4A-EL/JF403E (front) | 1 | 90-02 | 94385707 | 81200 |
| G14 | Seal, metal clad | Geo/Isuzu (left/right axle) | 2 | 90-93 | 97070182 | 51201 |
| G14 | Seal, metal clad | Mazda (left/right axle) | 2 | 90-02 | F003-27-238A | 63201 |
| SEALING RINGS | | | | | | |
| K10 | Kit, sealing ring (complete) | JF403E | 1 | 90-02 | AE | K81300 |
| CLUTCH PLATES | | | | | | |
| B16 | Friction .063" 5.480" od 28T | reverse clutch | 2 | 90-02 | 94385871 | 90100 |
| B17 | Steel .071" 4.957" id 30T | reverse clutch | 2 | 90-02 | 94385872 | 90101 |
| B18 | Steel, dished | reverse clutch | 1 | 90-02 | 94385873 | 90111-R |
| C20 | Friction .063" 4.415" od 20T | JF403E (high clutch) | 4 | 90-93 | 94385851 | 81104 |
| C20 | Friction .063" 4.415" od 21T (not in kit) | LJ4A-EL (high clutch) | 4 | 90-94 | 31532-80X05 | 90102 |
| C20 | Friction .063" 4.415" od 24T | LJ4A-EL (high clutch) | 4 | 94-02 | FX02-19-550 | 90102A |
| C21 | Steel .087" 5.686" id 28T | high clutch | 5 | 90-92 | 94385852 | 81105 |
| C21 | Steel .087" 5.686" id 28T | high clutch | 1 | 92-93 | 94385852 | 81105 |
| C21 | Steel .079" 4.686" id 28T | high clutch | 6 | 92-93 | 97043655 | 81105A |
| C21 | Steel .055" 4.686" id 28T | high clutch | ar | 90-93 | n/a | 81105B |
| C21 | Steel .055" 3.615" id 28T | high clutch | 6 | 95-02 | FX01-19-334 | 90103 |
| C21 | Steel .079" 4.686" id 28T | high clutch | 1 | 95-02 | FX01-19-499 | 90103A |
| E22 | Friction .063" 5.425" od 32T | forward clutch | 5 | 90-93 | 94385824 | 90104 |
| E22 | Friction .055" 3.615" id 52T | forward clutch | 6 | 95-02 | FX01-19-590A | 90104A |
| E23 | Steel .071" 4.925" id 32T | forward clutch | 5 | 90-93 | 94385825 | 90105 |
| E23 | Steel .055" 4.928" id 32T | forward clutch | 6 | 95-02 | FX01-19-561 | 90105A |
| E24 | Steel, dished | forward clutch | 1 | 90-02 | 94385832 | 90115-R |
| E26 | Friction .063" 4.940" od 20T | overrun clutch | 3 | 90-02 | 94385834 | 90106 |
| E27 | Steel .063" 4.450" id 8T | overrun clutch | 3/5 | 90-02 | 94387815 | 90107 |
| E28 | Steel, dished | overrun clutch | 1 | 90-02 | 94385833 | 90117-R |
| F29 | Friction .063" 6.445" od 32T | low/reverse clutch | 7/8 | 90-02 | 94385692 | 81110 |
| F30 | Steel .071" 5.900" id 10T (wide teeth) | low/reverse clutch | 7/8 | 90-93 | 94385691 | 81111 |
| F30 | Steel .071" 5.905" id 10T | low/reverse clutch | 7 | 95-02 | FX01-19-609 | 90109 |
| F31 | Steel, dished .068" | low/reverse clutch | 1 | 90-92 | 94385693 | 81117-R |
| F31 | Steel, dished .090" | low/reverse clutch | 1 | 92-02 | 97048977 | 90119-R |
| | | | | | | |
| | | | | | | |

LINE CARD

A TO Z TOOLS

Transmission Tools
AC-DELCO
 Hard Parts, Standard, Automatic, Switches
ALTO
 Lined Clutches, Steels
ATEC TRANS-TOOL
 Specialty Tools
AUTO CRAFT
 Flywheels, Clutch Forks, Cables
AUTO GEAR
 Standard Transmission Parts, Transfer Case Parts, Standard Transmission Assys., Transfer Case Assys.
AUTO TRANS GROUP
 Electrical Parts
A.T.S.G.
 Tech Manuals, Videos
B & M PRODUCTS
 Performance Kit Products
BORG WARNER
 Bands, Sprags, Frictions, Drive Chains
CR SEALS
 Speedy Sleeves, Metal Clad Seals, Bearings
CROWN
 Standard Parts
DACCO
 Converters
DERALE
 Coolers
DT COMPONENTS
 Drive Train Products
G-TEC
 Cleaning Chemicals
GABBERT AUTOMOTIVE
 Electrical Connectors
KENTMORE
 Transmission Tools
LIFE PRODUCTS
 Additives, Cooler Flush
LONG MFG.
 Coolers, Brackets

LOU FUSZ TOYOTA

Hard Parts
LOVE BOX
 Boxes
LUBE GUARD
 Additives
MERIDIAN IND.
 Axle Savers, Hard Parts, Speciality Items
MIDWEST MFG.
 Flywheels, Ring Gears
MIDWEST TRUCK
 Standard Transmission Parts, Bearings, Gaskets
MILLER SPECIALTY TOOLS
 Transmission Tools
MUSCLE PRODUCTS
 Additives
NACHI TECHNICAL
 Bearings
NEAPCO
 U-Joints, Boots, CV Joints
NTP
 Solenoids
OMEGA MACHINE
 Transfer Case parts
OTC
 Transmission Tools
PRAIRIE COMPONENTS
 Pump Vanes/Sprags
PRECISION INT'L
 Gasket Sets, Gaskets
QUIK SHIM
 Washers, Equipment
R & B MOTORMITE
 Dorman Products
RADIATOR SPECIALTY
 Hoses, Clamps
RAYMARK INDUSTRIES
 Clutch Disc (Lined), Plates (Steel), Bands
Parker (SAP) Hard Parts,
 Solenoids
ROSTRA
 Modulators, Solenoids, Test Equipment

SCHAFFER

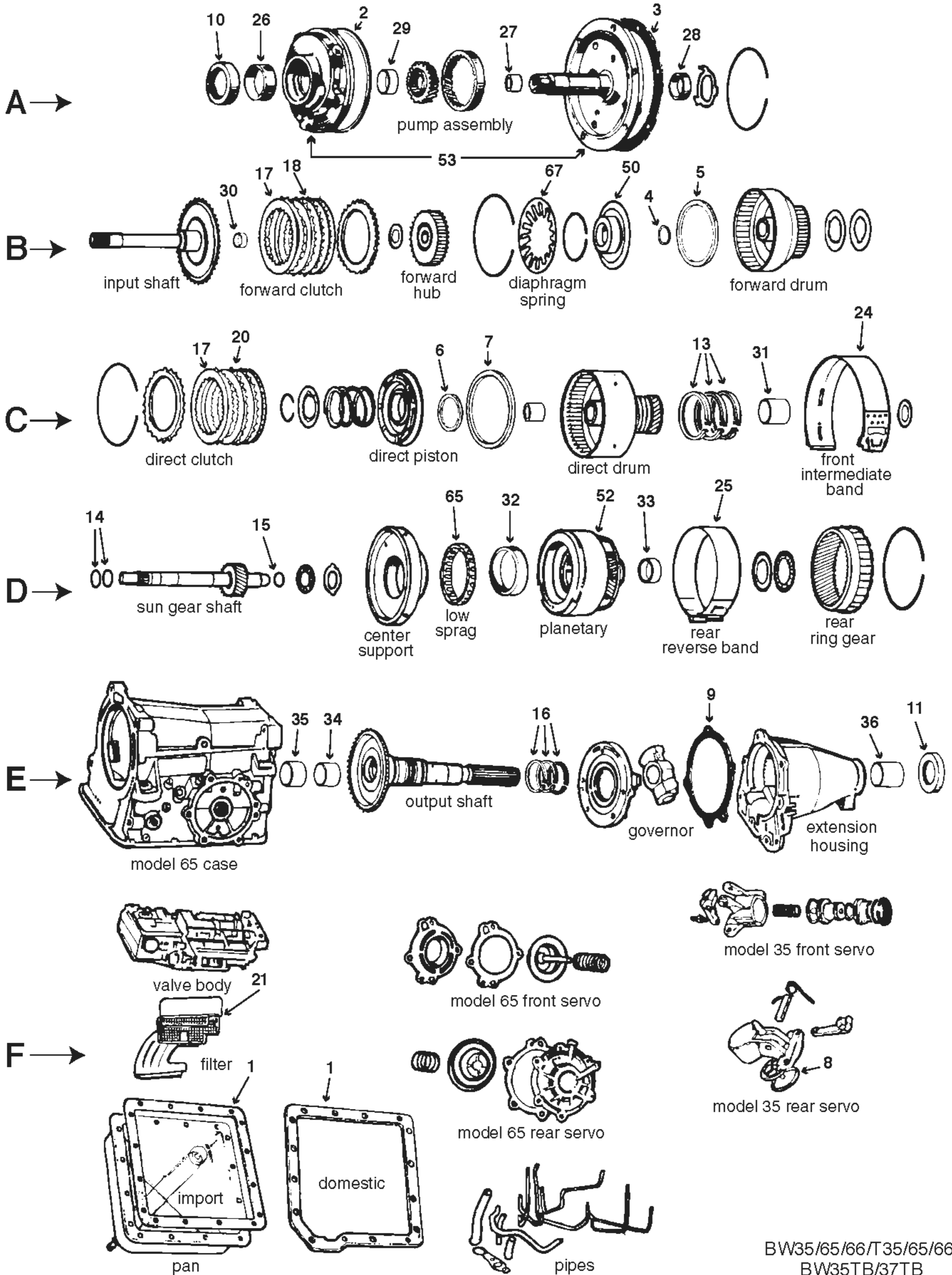
Electronic Test Equipment, Pressure Risers
SEYMOUR PAINTS
 Paints
SONNAX IND
 Governor Gears, Governor Assys., Governor Covers, Speed Items, Automotive Specialty Products
SOUTHEAST
 Mounts, Specialty Items
SPX - FILTRAN
 Filters, Rings
SPX - MIAMI
 Gasket Kits, Rings, Bushings, Seals, Steels, Frictions, Hard Parts
SUPERIOR
 Shift Correction Kits, Pumps
TECK-PAK
 Change Over Kits, Shims, Solenoids, Cables
TIC
 Standard Parts
TRANSCO
 Shift Kits, Performance Kits
TRANS LAB
 Correction Kits
TRANSMOTIVE (Wade)
 Standard Transmission Parts, Bearings, Gaskets
TRANSTEC
 Gasket Sets, Seals
TRI-COMPONENT
 Bushings, Washers, Pump Gears, Hard Parts
VALEO
 Standard Clutch Sets
VENTURE PRODUCTS
 Ring Gears, Flywheels
ZOOM
 Transmission Testers

A & Reds
 Transmission Parts
 3737 W. 29th South
 Wichita, KS 67217
 Local (Wichita) 316-942-5300
 Nat. Toll Free 1-800-835-1007
 email:parts@areds.com

Ask the
IMPOSSIBLE,
 we might
 surprise You!

A & Reds Kansas City
 2000 Indiana
 Kansas City, MO 64127
 Local (Kansas City) 816-483-7337
 Fax: 816-483-3109
 866-780-7337

LINE CARD



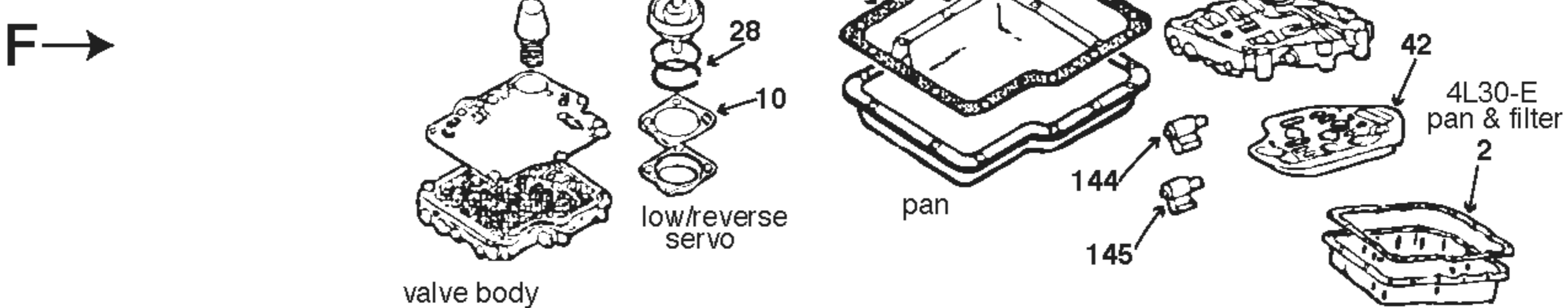
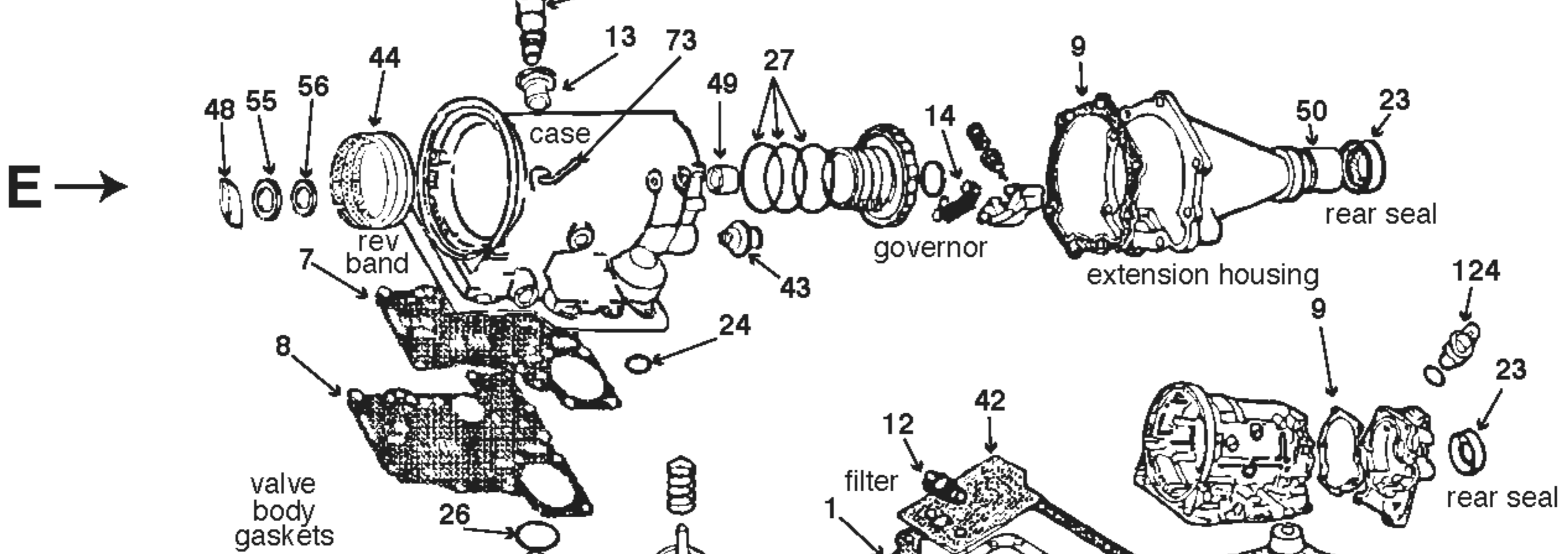
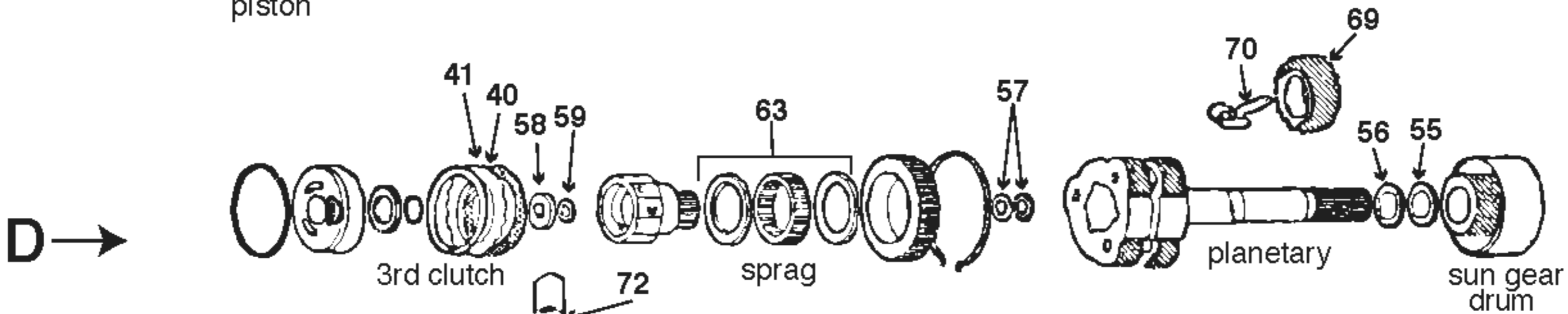
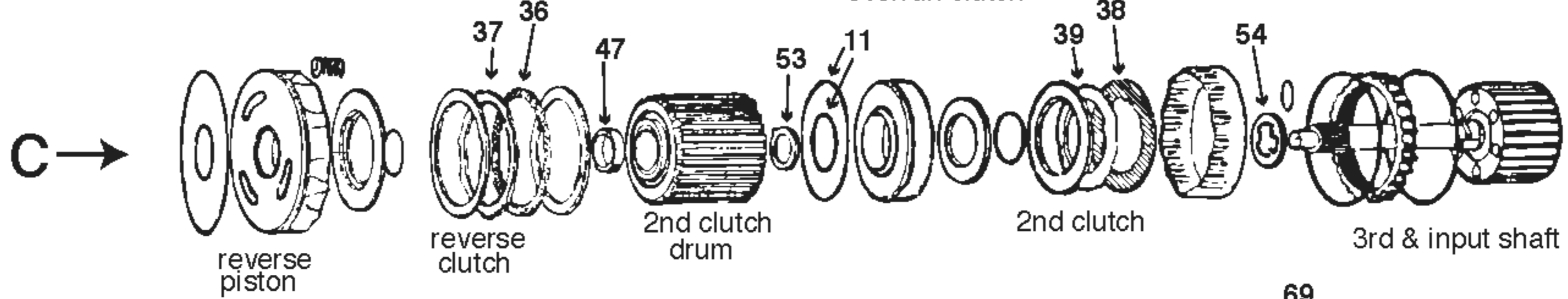
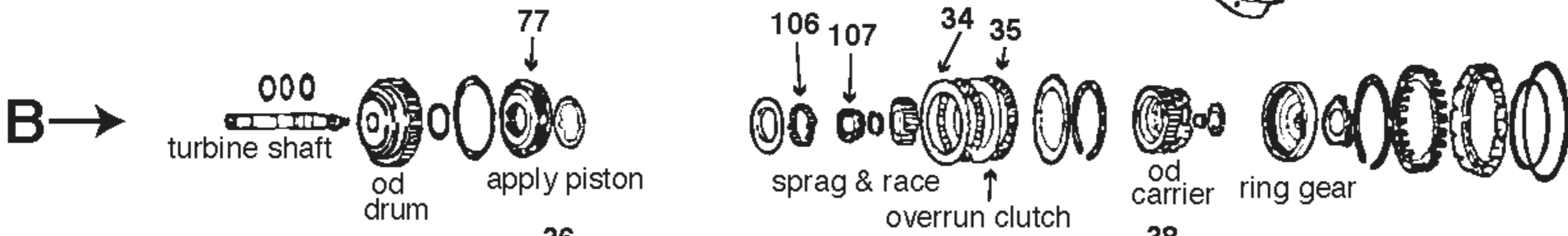
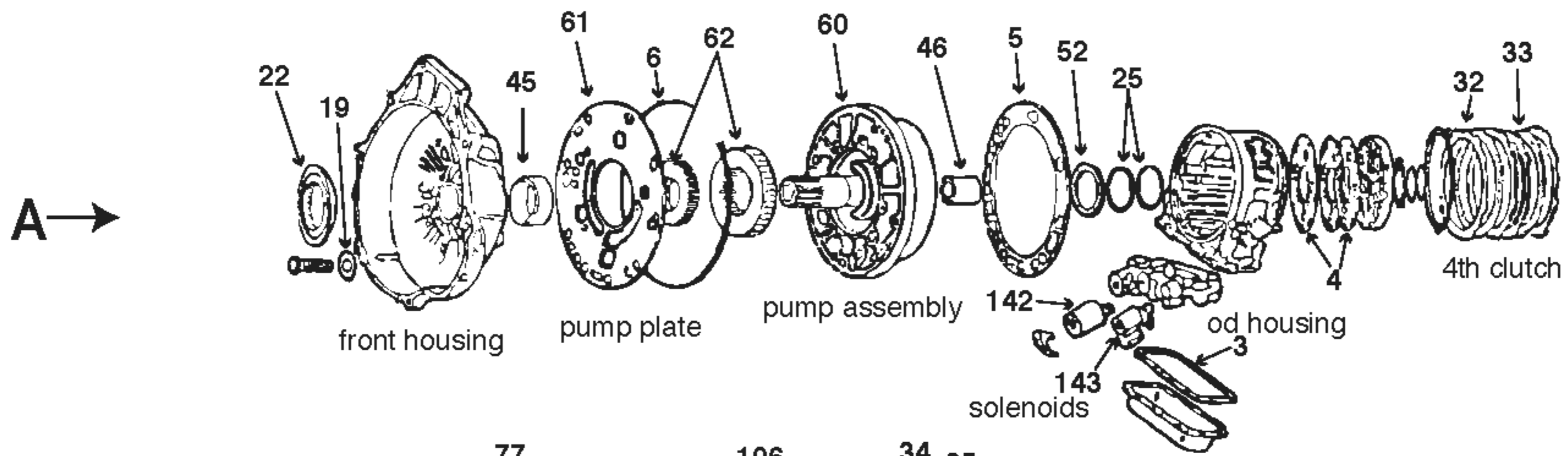
BW35/65/66/T35/65/66
 BW35TB/37TB
 19000/47000/58000

| ILL | DESCRIPTION | QTY | YEAR | REFERENCE # | PART # | |
|--------------------------------------|---|--|------|-------------|---------------|-----------|
| REBUILDER KITS | | | | | | |
| K4 | Master deluxe rebuild kit (w/o rear seal) | BW35/T35/type 2 USA | 1 | 62-71 | AE | K1900B-R |
| K4 | Master deluxe rebuild kit (w/o rear seal) | BW35/T35/type 1 non USA | 1 | 63-76 | AE | K1900X-R |
| K4 | Master deluxe rebuild kit | BMW T65/66 | 1 | 73-76 | AE | K4700-R |
| K4 | Master deluxe rebuild kit | Jaguar T65/66 | 1 | 79-88 | AE | K4700A-R |
| K5 | Master kit w/steels (w/o rear seal) | BW35/T35/type 2 USA | 1 | 62-71 | AE | K1900B |
| K5 | Master kit w/steels (w/o rear seal) | BW35/T35/type 1 non USA | 1 | 63-76 | AE | K1900X |
| K5 | Master kit w/steels | BMW T65/66 | 1 | 73-76 | AE | K4700 |
| K5 | Master kit w/steels | Jaguar T65/66 | 1 | 79-88 | AE | K4700A |
| K5 | Master kit w/steels | Saab BW35TB(type 5) | 1 | 68-80 | AE | K5800 |
| K5 | Master kit w/steels | Saab 900/9000 BW37TB | 1 | 81-93 | AE | K5800A |
| K6 | Master kit w/o steels (w/o rear seal) | BW35/T35/type 2 USA | 1 | 62-71 | AE | K1900B-LS |
| K6 | Master kit w/o steels (w/o rear seal) | BW35/T35/type 1 non USA | 1 | 63-76 | AE | K1900X-LS |
| K6 | Master kit w/o steels | BMW T65/66 | 1 | 71-76 | AE | K4700-LS |
| K6 | Master kit w/o steels | Jaguar T65/66 | 1 | 73-88 | AE | K4700A-LS |
| K6 | Master kit w/o steels | Saab BW35TB (type 5) | 1 | 68-80 | AE | K5800-LS |
| K6 | Master kit w/o steels | Saab 900/9000 BW37TB | 1 | 81-93 | AE | K5800A-LS |
| K7 | O/H gasket set w/seals-rings | BW35/T35/type 2 USA | 1 | 62-71 | AE | K19900B |
| K7 | O/H gasket set w/seals-rings | BW35/T35/type 1 non USA (w/o rear seal) | 1 | 63-76 | AE | K19900X |
| K7 | O/H gasket set w/seals-rings | BMW T65/6 | 1 | 71-86 | AE | K47900 |
| K7 | O/H gasket set w/seals-rings | Jaguar T65/66 | 1 | 73-88 | AE | K47900A |
| K7 | O/H gasket set w/seals-rings | Saab BW35TB/type 5 | 1 | 68-80 | AE | K58900 |
| K7 | O/H gasket set w/seals-rings | Saab 900/9000 BW37TB | 1 | 81-93 | AE | K58900A |
| K11 | Gasket and seal kit | BW35/T35/type 2 USA | 1 | 62-71 | AE | K19900A-1 |
| K11 | Gasket and seal kit | BW35/T35/type 1 non USA | 1 | 63-76 | AE | K19900-1X |
| K11 | Gasket and seal kit | BMW/Jaguar T65/66 | 1 | 71-88 | AE | K47900-1 |
| GASKETS AND RUBBER COMPONENTS | | | | | | |
| F1 | Gasket, oil pan | BW35/T35/type 2 USA (neoprene/cork) | 1 | 62-71 | 3164825 | 3744LX |
| F1 | Gasket, oil pan | BW35/T35/type 2 USA (Duraprene®) | 1 | 62-71 | 3164825 | 3744D |
| F1 | Gasket, oil pan | BW35/T35/type 1 non USA (neoprene/cork) | 1 | 63-76 | 211E7A191 | 3740LX |
| F1 | Gasket, oil pan | BW35/T35/type 1 non USA (Duraprene®) | 1 | 63-76 | D1RY-7A191-A | 3740D |
| F1 | Gasket, oil pan | T65/66 (neoprene/cork) | 1 | 73-88 | 04650-45008V | 3745LX |
| F1 | Gasket, oil pan | T65/66 (Duraprene®) | 1 | 73-88 | 04650-45008V | 3745D |
| A2 | Seal, lathe cut | BW35/T35/type 1/2/T65/66 (front pump body) | 1 | 62-88 | 3165004 | 3822L |
| A3 | Gasket, front pump | BW35/T35/type 1/2 | 1 | 62-76 | 3164869 | 3823L |
| A3 | Gasket, front pump | Jaguar/BMW T65/66 | 1 | 73-93 | 046-504-5007Y | 3824L |
| B4 | Seal, lathe cut | exc 70-71 type 2 (frt cl piston inner) | 1 | 62-88 | 3165013 | 3826L |
| B5 | Seal, lathe cut | BW35/T35/type 1/2 (frt cl piston outer) | 1 | 62-88 | 3165012 | 3825L |
| C6 | O'ring | exc 70-71 type 2 (rear cl piston inner) | 1 | 62-88 | 3165050 | 3831L |
| C6 | O'ring | BW35/T35/type 2 (rear cl piston inner) | 1 | 70-71 | 3198561 | 13296 |
| C7 | Seal, lathe cut | BW35/T35/type 1/2 (rear cl piston outer) | 1 | 62-88 | 3165009 | 3829L |
| F8 | O'ring | BW35/T35/type 1/2 (rear servo piston) | 1 | 62-93 | 3165014 | 3821L |
| E9 | Gasket, extension housing | 7/16" holes | 1 | 62-71 | 3170362 | 13930 |
| E9 | Gasket, extension housing | 5/16" holes | 1 | 71-93 | 3164899 | 13930A |
| n/i | O'ring | TV cable | 1 | 62-66 | 3163632 | 3566 |
| n/i | O'ring | manual lever shaft | 1 | 62-69 | 3187389 | 3499L |
| METAL CLAD SEALS | | | | | | |
| A10 | Seal, metal clad | Jaguar BW35/type 1/2/T65/66 (front) | 1 | 62-71 | 3183886 | 19605 |
| A10 | Seal, metal clad | BW65/66/T65/66 (front narrow) | 1 | 71-93 | 04650-44001 | 47200 |
| E11 | Seal, metal clad (w/flange w/o boot) | extension housing (w/inclosed drive line) | 1 | 63-65 | 3155168 | 4743C |
| E11 | Seal, metal clad | extension housing (Volvo) | 1 | 63-75 | D2RY-70502-B | 19677 |
| E11 | Seal, metal clad 60x38x12mm | Studebaker extension housing (model 01) | 1 | 62-88 | 1251450 | 8850B |
| E11 | Seal, metal clad 1.950" od (not in kit) | Opel/Holden/Vauxhal/Jag extension hsg | 1 | 63-88 | 235728-3 | 47201A |
| E11 | Seal, metal clad | BMW BW65/66/T65/66 (extension housing) | 1 | 73-76 | 046-504-4002H | 47201 |

BW35•T35•BW35TB•BW37TB•BW65•BW66

BW35•T35•BW35TB•37TB•BW65•66

| ILL | DESCRIPTION | QTY | YEAR | REFERENCE # | PART # | |
|-------------------------------------|--|--|------|-------------|-----------|---------|
| METAL CLAD SEALS (CONTINUED) | | | | | | |
| n/i | Seal, metal clad | BW65/66/T65/66 (manual lever shaft) | 1 | 62-88 | 3154112 | 19675 |
| SEALING RINGS | | | | | | |
| K10 | Kit, sealing ring | BW35/65/66/T35/65/66 | 1 | 62-88 | AE | K19903B |
| C13 | Ring, sealing | rear clutch drum | 3 | 62-69 | 3164858 | 19215 |
| D14 | Ring, sealing | forward clutch (front sun gear) (small) | 2 | 69-88 | 3165007 | 19216 |
| D14 | Ring, sealing | forward clutch (front sun gear) (large) | 2 | 69-88 | 3186586 | 6235 |
| D15 | Ring, sealing | rear sun gear | 1 | 62-65 | 3165008 | 19217 |
| D15 | Ring, sealing (teflon) | rear sun gear | 1 | 66-88 | 3176130 | 19217A |
| E16 | Ring, sealing | output shaft | 3 | 62-88 | 3165806 | 19504 |
| CLUTCH PLATES | | | | | | |
| B17 | Friction .061" 4.248" od 36T | forward clutch (front) | 4/5 | 62-88 | 3198571 | 19206A |
| C17 | Friction .061" 4.248" od 36T | direct clutch (rear) | 4/5 | 62-88 | 3198571 | 19206A |
| B18 | Steel .068" 3.134" id 40T | forward clutch (front) | 3/4 | 62-88 | 3164873 | 19205 |
| B18 | Steel .090" 3.134" id 40T (oversized) | forward clutch (front) | ar | 62-88 | 31648730S | 19222X |
| B18 | Steel .053" 3.134" id 40T (undersized) | forward clutch (front) | ar | 62-88 | 3164873US | 19205X |
| C20 | Steel, dished .068" 3.125" id 40T | direct clutch (rear) | 4/5 | 62-88 | 3164863 | 19222 |
| C20 | Steel .090" 3.134" id 40T (oversized) | direct clutch (rear) | ar | 62-88 | 31648730S | 19222X |
| C20 | Steel .053" 3.134" id 40T (undersized) | direct clutch (rear) | ar | 62-88 | 3164873US | 19205X |
| FILTERS | | | | | | |
| K9 | Kit, filter (w/o shroud) | BW35/T35/type 2 USA (neoprene/cork) | 1 | 62-66 | AE | FK19755 |
| K9 | Kit, filter (w/o shroud) | BW35/T35/type 2 USA (Duraprene®) | 1 | 62-66 | AE | DK19755 |
| K9 | Kit, filter (w/shroud)(pistol grip type) | BW35/T35 USA (neoprene/cork) | 1 | 67-71 | AE | FK19757 |
| K9 | Kit, filter (w/shroud)(pistol grip type) | BW35/T35 USA (Duraprene®) | 1 | 67-71 | AE | DK19757 |
| K9 | Kit, filter (pistol grip type) | BW65/66/T65/66 (neoprene/cork) | 1 | 71-88 | AE | FK47800 |
| K9 | Kit, filter (pistol grip type) | BW65/66/T65/66 (Duraprene®) | 1 | 71-88 | AE | DK47800 |
| F21 | Filter screen (w/o shroud) | BW35/T35/type 1/2 (front) | 1 | 62-66 | 3179973 | 19755 |
| F21 | Filter screen (w/shroud) | BW35/T35 (pistol grip type)(front) | 1 | 67-71 | 3188896 | 19757 |
| n/i | Filter screen (w/o shroud) | BW35/T35 (rear) | 1 | 62-66 | 3164950 | 19756 |
| n/i | Filter screen (w/shroud) | BW35/T35 (rear) | 1 | 62-66 | n/a | 19756A |
| MODULATORS | | | | | | |
| n/i | Mod type 2 adj screw in (brown) | AMC BW35/T35 | 1 | 61-71 | 4485870 | 19510A |
| BANDS | | | | | | |
| C24 | Band, flex type (1 17/32" wide) | front | 1 | 62-88 | 3193718 | 19313F |
| C24 | Band, solid (1 3/16" wide) | front | 1 | 73-86 | 3188603 | 19313C |
| D25 | Band, solid | will fit both front/rear | 1 | 62-88 | 3187096 | 19313D |
| BUSHINGS | | | | | | |
| K13 | Kit, bushing | BW35/T35/type 1 non USA and type 2 USA | 1 | 62-88 | AE | K19902 |
| A26 | Bushing | BW35/T35/type 1/2 front pump body | 1 | 62-88 | 3205306 | 19003 |
| A27 | Bushing | stator support (22 and 23 splines)(front) | 1 | 62-88 | 3205309 | 19011 |
| A27 | Bushing | stator support (26 splines)(front) | 1 | 69-88 | 19011A | 19011A |
| A28 | Bushing | BW35/T35/type 1/2 (stator support)(rear) | 1 | 62-88 | 3205307 | 19009 |
| A29 | Bushing | BW35/T35/type 1/2 (front pump drive gear) | 1 | 62-88 | 3205308 | 19006 |
| B30 | Bushing | BW35/T35/type 1/2 (input shaft) | 1 | 62-88 | 3205301 | 19005 |
| C31 | Bushing | BW35/T35/type 1/2 (sun gear to rr cl drum) | 1 | 62-88 | 3205303 | 19010 |
| C32 | Bushing | BW35/T35/type 1/2 (planetary support) | 1 | 62-88 | 3205304 | 19008 |
| E34 | Bushing | BW35/T35/type 1/2 (output shaft) | 1 | 62-88 | 3205305 | 19012 |
| E35 | Bushing | BW35/T35/type 1/2 (case) | 1 | 62-88 | 3203639 | 19001 |
| E36 | Bushing 1.795" od .875" wide | extension housing (w/closed drive line) | 1 | 62-65 | 3202124 | 19002A |
| E36 | Bushing (babbitt) | BW35/T35/type 2 (hsg w/open dr line) | 1 | 62-88 | 3203640 | 6014 |
| E36 | Bushing 1 5/16" od | Volvo/Datsun (extension housing) | 1 | 63-75 | 235878-6 | 19002X |
| | | | | | | |
| | | | | | | |
| | | | | | | |



TH180/4L30E
 41000/E

TH180 (MD3)•180•TH180C (MD2)•3L30•4L30-E•4L30E

| ILL | DESCRIPTION | QTY | YEAR | REFERENCE # | PART # |
|--------------------------------------|--|-----|-------|-----------------|-----------|
| TECHNICAL MANUALS | | | | | |
| K53 | Tech manual 4L30E dis/assembly diagnosis/troubleshooting | 1 | 91-05 | 83-4L30ETM | 10-450 |
| REBUILDER KITS | | | | | |
| K4 | Master deluxe rebuild kit TH180/C/3L30 (except Australian) | 1 | 69-98 | AE | K4100-R |
| K5 | Master kit w/steels TH180/C/3L30 (except Australian) | 1 | 69-98 | AE | K4100 |
| K5 | Master kit w/steels 4L30E | 1 | 90-99 | AE | K4100E |
| K5 | Master kit w/steels 4L30E | 1 | 98-05 | AE | K4100F |
| K6 | Master kit w/o steels TH180/C/3L30 (except Australian) | 1 | 69-98 | AE | K4100-LS |
| K6 | Master kit w/o steels 4L30E | 1 | 90-99 | AE | K4100E-LS |
| K6 | Master kit w/o steels 4L30E | 1 | 98-05 | AE | K4100F-LS |
| K7 | O/H gasket set w/seals-rings TH180/C/3L30 (except Australian) | 1 | 69-98 | AE | K41900 |
| K7 | O/H gasket set w/seals-rings 4L30E | 1 | 90-05 | AE | K41900E |
| K11 | Gasket and seal kit TH180/C/3L30/3L30 (except Australian) | 1 | 69-98 | AE | K41900-1 |
| VALVE BODY KITS | | | | | |
| K15 | Shift Kit@ 4L30E PWM burn-up/low band/slips | 1 | 90-05 | SK@ 4L30E | K41908E |
| K15 | Valve body calibration Kit 4L30E fixes 2-3,3-2,coast down/planet failure | 1 | 90-05 | TL-4L30 | G41908E |
| GASKETS AND RUBBER COMPONENTS | | | | | |
| F1 | Gasket, oil pan TH180/3L30 (neoprene/cork) | 1 | 69-98 | 14050668 | 13600X |
| F1 | Gasket, oil pan TH180/3L30 (Duraprene®) | 1 | 69-98 | 90064106 | 13600D |
| F2 | Gasket, oil pan BMW 4L30E (neoprene/cork) | 1 | 90-00 | 241M-218-850 | 13604X |
| F2 | Gasket, oil pan BMW 4L30E (Duraprene®) | 1 | 90-00 | 241M-218-850F | 13604D |
| F2 | Gasket, oil pan 4L30E (except BMW neoprene/cork) | 1 | 90-05 | 8-9014-234-0 | 13605X |
| F2 | Gasket, oil pan 4L30E (except BMW Duraprene®) | 1 | 90-05 | 8-9014-234-0F | 13605D |
| A3 | Gasket, adapter pan 4L30E (all neoprene/cork) | 1 | 90-05 | 8-9014-235-0 | 13606X |
| A3 | Gasket, adapter pan 4L30E (all Duraprene®) | 1 | 90-05 | 8-9014-235-0F | 13606D |
| A4 | Gasket, adapter plate 4L30E (overdrive housing) | 2 | 90-91 | 8-96015-772-0 | 13608 |
| A4 | Gasket, adapter plate 4L30E (overdrive housing) | 2 | 92-05 | 8-96016-514-0 | 13608A |
| A5 | Gasket, pump TH180 (to case) | 1 | 69-98 | 96013211 | 13601 |
| A5 | Gasket, pump 4L30E (to overdrive housing) | 1 | 90-05 | 8-96014-973-0 | 13601E |
| A6 | Seal, lathe cut pump/bell outer and overdrive hsg to case | 1/2 | 69-05 | 5258119 | 13602 |
| E7 | Gasket, valve body TH180 (upper)(except Australian) | 1 | 69-98 | 5258155 | 13610 |
| E7 | Gasket, valve body (main) 4L30E (upper)(case to spacer plate) | 1 | 90-05 | 96017202 | 13611 |
| E8 | Gasket, valve body TH180 (lower)(except Australian) | 1 | 69-87 | 735057 | 13612 |
| E8 | Gasket, valve body TH180 (lower)(except '87 Chevette) | 1 | 87-98 | 96040728 | 13612A |
| E8 | Gasket, valve body (main) 4L30E (lower)(spacer plate to main VB) | 1 | 90-05 | 96015417 | 13611A |
| E9 | Gasket, extension housing TH180 | 1 | 69-98 | 5258199/ | 13613 |
| E9 | Gasket, extension housing 4L30E | 1 | 90-05 | 96014417 | 13613A |
| F10 | Gasket, servo cover TH180 | 1 | 69-98 | 5258339 | 13614 |
| F10 | Gasket, servo cover 4L30E (w/steel core) | 1 | 90-05 | 96014414 | 13614A |
| C11 | Lip seal TH180/C/4L30E (2nd clutch piston outer) | 1 | 69-05 | 5258041 | 13607 |
| C11 | Lip seal TH180/C/4L30E (2nd clutch piston inner) | 1 | 69-05 | 5258043 | 13619 |
| F12 | Gasket, filter TH180 | 1 | 69-98 | 5258245 | 13617 |
| E13 | Multi lip seal (boot) TH180/C/4L30E (filler tube to case) | 1 | 79-05 | 1259475 | 13925 |
| E14 | Gasket, governor TH180/C | 1 | 69-98 | 5259657/5258520 | 13615A |
| A19 | Washer, coated pump/bell housing bolts | 12 | 69-05 | 5258938 | 13268A |
| n/i | O'ring speedometer housing (ext Tracker/Sidekick) | 1 | 69-05 | 7430921 | 3410L |
| n/i | O'ring Tracker/Sidekick (speedometer housing) | 1 | 89-05 | 96057733 | 3411L |
| n/i | O'ring 4L30E (speed sensor) | 1 | 90-05 | 96041008 | 3412L |
| n/i | O'ring Honda 4L30E (speedo housing) | 1 | 90-02 | 9921100 | 3413L |
| n/i | O'ring TH180 (filler tube to case) | 1 | 69-78 | 6264902 | 3291L |
| n/i | O'ring TH180 (detent cable) | 1 | 69-98 | 5258404 | 3667L |
| n/i | Hose, vacuum (90° elbow) TH180/C (modulator) | 1 | 69-98 | C1AZ-7B087-E | 13266 |
| n/i | O'ring TH180/C (modulator) | 1 | 69-98 | 11078101 | 13769 |
| n/i | O'ring (teflon coated/green) TH180C/4L30E (turbine shaft) | 1 | 82-98 | 8662686 | 13766 |

TH180•C•4L30-E

TH180 (MD3)•180•TH180C (MD2)•3L30•4L30-E•4L30E

TH180•C•4L30-E

| ILL | DESCRIPTION | QTY | YEAR | REFERENCE # | PART # |
|--|---|-----|-------|---------------|---------|
| GASKETS AND RUBBER COMPONENTS (CONTINUED) | | | | | |
| n/i | Lip seal TH180/C/4L30E (3rd clutch outer) | 1 | 69-05 | 96014296 | 13605 |
| n/i | Lip seal TH180C (3rd clutch inner) | 1 | 69-98 | 5258543 | 13606 |
| n/i | Lip seal 4L30E (3rd clutch inner) | 1 | 90-05 | 96014295 | 13606A |
| n/i | Seal, lathe cut TH180/C/4L30E (reverse clutch outer) | 1 | 69-05 | 96014332 | 3774L |
| n/i | Seal, lathe cut TH180/C/4L30E (reverse clutch inner) | 1 | 69-05 | 96014331 | 3775L |
| n/i | Lip seal w/spring speedo driven gear w/spring | 1 | 69-05 | 25519078 | 3991L |
| n/i | Lip seal 4L30E (overdrive clutch outer) | 1 | 90-94 | 96014320 | 13609 |
| n/i | Lip seal 4L30E (overdrive clutch outer) | 1 | 95-05 | 96017561 | 13609A |
| n/i | Seal, lathe cut 4L30E (overdrive clutch inner) | 1 | 90-05 | 96014231 | 3776L |
| n/i | Gasket, auxiliary VB 4L30E (upper)(case to spacer plate) | 1 | 90-05 | 96017400 | 13639 |
| n/i | Gasket, auxiliary VB 4L30E (lower)(spacer plate to aux VB) | 1 | 90-05 | 96017399 | 13639A |
| n/i | Seal, lathe cut 4L30E (3-4 accumulator) | 1 | 90-05 | 96014062 | 3777L |
| n/i | O'ring 4L30E (filler tube extension) | 1 | 90-05 | 96014673 | 3288L |
| n/i | O'ring 4L30E (accumulator cover) | 2 | 90-05 | 96014317 | 3289L |
| n/i | O'ring 4L30E (low solenoid small) | 3 | 90-05 | 24204409 | 13710 |
| n/i | O'ring 4L30E (TCC solenoid large) | 3 | 90-05 | 8634188 | 23071 |
| n/i | Seal 4L30E (electrical connector) | 2 | 90-05 | n/a | 13749 |
| METAL CLAD SEALS | | | | | |
| A22 | Seal, metal clad TH180 (front) | 1 | 69-98 | 705216 | 38151A |
| A22 | Seal, metal clad 4L30E (front) | 1 | 90-05 | 96015187 | 41151 |
| E23 | Seal, metal clad 1.950" od (not in kit) Opel/Holden/Peugeot (extension housing) | 1 | 69-05 | 235728-3 | 47201A |
| E23 | Seal, metal clad Fiat (not in kit)(extension housing) | 1 | 71-05 | n/a | 41204 |
| E23 | Seal, metal clad 60x38x12mm extension housing (2WD)(w/flange w/o boot) | 1 | 69-05 | 1243402 | 8850B |
| E23 | Seal, metal clad 4L30E (extension housing) | 1 | 90-05 | 96014416 | 56201B |
| E23 | Seal, metal clad (not in kit) Tracker (extension housing) | 1 | 92-97 | 96040762 | 41204A |
| E24 | Seal, metal clad TH180 (manual lever shaft) | 1 | 69-98 | 8623056 | 38511 |
| E24 | Seal, metal clad 4L30E (manual lever shaft) | 1 | 90-05 | 8644709 | 51202A |
| n/i | Seal, metal clad Tracker (speedo driven gear) | 1 | 89-98 | 96057735 | 41206 |
| n/i | Seal, metal clad Honda 4L30E (speedo driven gear) | 1 | 94-05 | 97131328 | 91206 |
| n/i | Seal, metal clad Tracker (4WD adapter housing) | 1 | 89-98 | 96054039 | 75201M |
| SEALING RINGS | | | | | |
| K10 | Kit, sealing ring TH180 (except Holden) | 1 | 69-98 | AE | K41300 |
| K10 | Kit, sealing ring 4L30E | 1 | 90-05 | AE | K41300E |
| A25 | Ring, sealing TH180 (stator support) | 2 | 69-05 | 5258106 | 41302 |
| A25 | Ring, sealing (teflon) 4L30E (stator support) | 2 | 90-05 | 9617553 | 41304T |
| E26 | Ring, sealing (cast iron) accumulator piston | 1 | 69-05 | 8623653 | 34711 |
| E27 | Ring, sealing (not in kit) Holden TH180 (thick wall governor hub) | 3 | 69-98 | 5258100 | 41300A |
| E27 | Ring, sealing TH180 (thin wall/governor hub) | 3 | 69-05 | 5258837 | 41300 |
| F28 | Ring, sealing low servo piston | 1 | 69-05 | 5258159 | 41303 |
| n/i | Ring, sealing (teflon)(scarf cut) 4L30E (turbine shaft) | 2 | 90-05 | 96015717 | 41305T |
| n/i | Ring, sealing (teflon)(solid) 4L30E (turbine shaft) | 1 | 90-05 | 8634598 | 32326T |
| n/i | Ring, sealing 4L30E (thin wall/park gear) | 1 | 90-05 | 5258837 | 41300 |
| CLUTCH PLATES | | | | | |
| A32 | Friction .088" 6.710" od 36T 4L30E (4th clutch) | 3 | 90-05 | 8-96014-459-0 | 41106 |
| A33 | Steel .083" 5.835" id 6T 4L30E (4th clutch) | 4 | 90-05 | 8-96014-187-0 | 41107 |
| B35 | Friction .088" 5.090" od 40T 4L30E (overrun clutch) | 2 | 90-05 | 8-96014-195-0 | 32108 |
| B34 | Steel .083" 3.954" id 36T 4L30E (overrun clutch) | 2 | 90-05 | 96014194 | 32110 |
| C36 | Friction .098" 6.405" od 36T TH180/C/4L30E (reverse clutch) | 2/5 | 69-05 | 5258017 | 41100 |
| C37 | Steel .070" 5.675" id 7T TH180/C/4L30E (reverse clutch) | ar | 69-05 | 5258019 | 41101 |
| C37 | Steel .083" 5.675" id 7T TH180/C/4L30E (reverse clutch) | 3/6 | 69-05 | 5258957 | 41101A |
| C38 | Friction .098" 5.229" od 30T TH180/C/4L30E (2nd clutch) | 2/5 | 69-05 | 5258025 | 41102 |
| C39 | Steel .070" 4.306" id 36T TH180/C/4L30E (2nd clutch) | 3/6 | 69-05 | 5258057 | 41103 |
| C39 | Steel .080" 4.306" id 36T TH180/C/4L30E (2nd clutch) | 3/6 | 69-05 | 960401183 | 41103A |

TH180 (MD3)•180•TH180C (MD2)•3L30•4L30-E•4L30E

TH180•C•4L30-E

| ILL | DESCRIPTION | QTY | YEAR | REFERENCE # | PART # |
|-------------------------------------|--|-----|-------|-----------------|----------|
| CLUTCH PLATES (CONTINUED) | | | | | |
| D40 | Friction .098" 3.875" od 12T TH180 (3rd clutch) | 2/5 | 69-98 | 90064281 | 41104 |
| D40 | Friction .098" 3.875" od 12T 4L30E (3rd clutch) | 4 | 90-97 | 96014946 | 41104 |
| D40 | Friction .063" 3.875" od 12T (high energy) 4L30E (3rd clutch) | 6 | 98-05 | 8-96017-371-0 | 41104A |
| D41 | Steel .070" 2.850" id 30T TH180/C/4L30E (3rd clutch) | ar | 69-05 | 5258086 | 41105 |
| D41 | Steel .080" 2.850" id 30T TH180/C/4L30E (3rd clutch) | 3/6 | 69-05 | 5258955 | 41105A |
| FILTERS | | | | | |
| K9 | Kit, filter TH180/C/3L30 (neoprene/cork) | 1 | 69-98 | AE | FK41800 |
| K9 | Kit, filter TH180/C/3L30 (Duraprene®) | 1 | 69-98 | AE | DK41800 |
| K9 | Kit, filter Isuzu/Amigo/Rodeo/Trooper II (4L30E) | 1 | 90-05 | AE | FK41800E |
| K9 | Kit, filter Isuzu/Amigo/Rodeo/Trooper II (4L30E) | 1 | 90-05 | AE | DK41800E |
| K9 | Kit, filter BMW (4L30E neoprene/cork) | 1 | 91-00 | AE | FK41800B |
| K9 | Kit, filter BMW (4L30E Duraprene®) | 1 | 91-00 | AE | DK41800B |
| F42 | Filter TH180/C/3L30 | 1 | 69-98 | 5258130/ | 41800 |
| F42 | Filter BMW (4L30E) | 1 | 91-00 | 24-11-1-218-899 | 41800B |
| F42 | Filter Isuzu/Amigo/Rodeo/Trooper II (4L30E) | 1 | 90-05 | 8-96041-011-0 | 41800E |
| F42 | Filter Opel (4L30E 4 cyl.) | 1 | 92-05 | n/a | 41800C |
| n/i | Screen, filter TH180/C (governor) | 1 | 69-98 | 5258383 | 26712 |
| n/i | Screen, filter 4L30E (low solenoid) | 1 | 90-05 | 96041012 | 41713 |
| n/i | Screen, filter 4L30E (lock-up/TCC solenoid) | 1 | 90-05 | 96014109 | 66714 |
| MODULATORS | | | | | |
| E43 | Modulator TH180/C (blue) Opel/Holden 1969-74/GM1977-80/Fiat | 1 | 69-80 | 8958947 | 41820 |
| E43 | Modulator (dual)(blue) GM 1979-Up/Holden 1975-Up others | 1 | 75-98 | 96013028 | 41820A |
| E43 | Modulator TH180/C (dual)(green) Opel 1975/others 1980-Up | 1 | 80-98 | 96013169 | 41820B |
| E43 | Modulator TH180/C (green) 10-11 eda 1.9 Opel 1975/GM 1980-Up various | 1 | 80-98 | 90064071 | 41820C |
| E43 | Modulator TH180/C (purple) Geo Tracker/Suzuki | 1 | 89-97 | 96040434 | 41820D |
| BANDS | | | | | |
| E44 | Band TH180/C/4L30E (low) | 1 | 69-05 | 5463805 | 41700 |
| BUSHINGS | | | | | |
| K13 | Kit, bushing TH180 | 1 | 69-98 | AE | K41901 |
| K13 | Kit, bushing 4L30E | 1 | 90-05 | AE | K41901E |
| A45 | Bushing (babbit) TH180/C/4L30E (pump body/bell hsg) | 1 | 69-05 | 8958661 | 8005 |
| A46 | Bushing TH180/C/4L30E (stator support rear) | 1 | 69-05 | 8958621 | 41003 |
| C47 | Bushing TH180/C/4L30E (2nd clutch drum) | 1 | 69-05 | 5258128 | 41000 |
| E48 | Bushing TH180/C/4L30E (input sun gear) | 1 | 69-05 | 5258075 | 41009 |
| E49 | Bushing TH180/C/4L30E (case) | 1 | 69-05 | 5258191 | 41012 |
| E50 | Bushing (babbit) 1.626" od TH180/C/4L30E (extension housing) | 1 | 69-05 | 6260048 | 8008A |
| n/i | Bushing (bronze) TH180/C/4L30E (stator support front) | 1 | 69-05 | 8628915 | 32006 |
| WASHERS/BEARINGS/RACES/SHIMS | | | | | |
| K14 | Kit, thrust washer TH180/C | 1 | 69-98 | AE | K41907 |
| A52 | Thrust washer (plastic) .061" (yellow) TH180/C/4L30E (pump) | sel | 69-05 | 5258201 | 41208 |
| A52 | Thrust washer (plastic) .069" (red) TH180/C/4L30E (pump) | sel | 69-05 | 5258202 | 41208A |
| A52 | Thrust washer (plastic) .077" (black) TH180/C/4L30E (pump) | sel | 69-05 | 5258203 | 41208B |
| A52 | Thrust washer (plastic) .084" (white) TH180/C/4L30E (pump) | sel | 69-05 | 5258205 | 41208C |
| A52 | Thrust washer (plastic) .092" (green) TH180/C/4L30E (pump) | sel | 69-05 | 5258206 | 41208D |
| A52 | Thrust washer (plastic) .100" (blue) TH180/C/4L30E (pump) | sel | 69-05 | 5258207 | 41208E |
| C53 | Thrust washer (metal) 2nd clutch drum to 3rd clutch drum | 1 | 69-05 | 5258091 | 41702 |
| C53 | Thrust washer (plastic) 2nd clutch drum to 3rd clutch drum | 1 | 69-05 | 96040241 | 41702A |
| C54 | Thrust washer (metal) TH180/C/4L30E (input shaft rear) | 1 | 69-05 | 5258554 | 41703 |
| D55 | Bearing, thrust TH180 (race to sun gear drum) | 2 | 69-98 | 5686837 | 41704 |
| D56 | Race TH180 (rear planet to bearing) | 2 | 69-98 | 90064108 | 41705 |
| D57 | Race TH180 (bearing to rear planetary) | 1 | 69-98 | 5258555 | 41706 |
| D57 | Bearing, thrust TH180 (race to sun gear) | 1 | 69-98 | 96040078 | 41707 |
| D58 | Race TH180 (input shaft to bearing) | 1 | 69-98 | 90064108 | 41705 |

TH180 (MD3)•180•TH180C (MD2)•3L30•4L30-E•4L30E

TH180•C•4L30-E

| ILL | DESCRIPTION | QTY | YEAR | REFERENCE # | PART # |
|---|---|-----|-------|---------------|----------|
| WASHERS/BEARINGS/RACES/SHIMS (CONTINUED) | | | | | |
| D59 | Bearing, thrust | 1 | 69-98 | 96040078 | 41707 |
| PUMP PARTS AND PUMPS | | | | | |
| A60 | Pump assembly | 1 | 69-81 | AE | 41424-R |
| A60 | Pump assembly | 1 | 70-79 | AE | 41424A-R |
| A60 | Pump assembly | 1 | 81-81 | AE | 41424C-R |
| A60 | Pump assembly (w/lock-up) | 1 | 82-98 | AE | 41424B-R |
| A60 | Pump assembly | 1 | 90-05 | 8-96041-018-0 | 41424E-R |
| A60 | Pump assembly | 1 | 00-05 | | 41424F-R |
| A61 | Plate, wear pump | 1 | 69-80 | 5258850 | 41202-R |
| A61 | Plate, wear pump | 1 | 81-81 | 96013269 | 41202B |
| A61 | Plate, wear pump | 1 | 77-87 | 96013212 | 41202A-R |
| A61 | Plate, wear pump | 1 | 90-05 | 8-96015-519-0 | 41202E |
| A62 | Gear set, pump .626" thick | 1 | 69-06 | AE | K41201 |
| A62 | Gear set, pump .628" thick | 1 | 69-06 | AE | K41201A |
| HARD PARTS | | | | | |
| D69 | Gear, speedo drive (7T black) | 1 | 69-98 | 90064073 | 41227 |
| D70 | Clip, speedo (5/16" thin long) | 1 | 69-98 | 1373122 | 35226 |
| E72 | Filler tube repair | 1 | 69-00 | n/a | 96-140A |
| E73 | Vent tube (plastic) | 1 | 79-05 | 8640496 | 96-141 |
| B107 | Cam (inner race) | 1 | 90-05 | 8-08634-038-0 | 32838-R |
| ELECTRICAL COMPONENTS | | | | | |
| F124 | Sensor, speed | 1 | 90-05 | 8-96014-442-0 | 16A-204 |
| A142 | Solenoid | 1 | 90-05 | 8-96014-182-0 | 5A-400 |
| A142 | Solenoid | 1 | 90-00 | 8677314 | 5A-400C |
| A143 | Solenoid | 1 | 90-99 | 8-96014-183-0 | 5A-333 |
| A143 | Solenoid (PWM) | 1 | 00-05 | 8-96078-534-0 | 5A-392 |
| F144 | Solenoid | 1 | 90-05 | 8-96014-593-0 | 5A-334 |
| F145 | Solenoid | 1 | 90-05 | 8-96014-224-0 | 5A-335 |
| n/i | Solenoid | 1 | 82-98 | 96040316 | 5A-163 |
| n/i | Connector, electrical (3 terminal square) | 1 | 90-98 | 8634383 | 25A-103 |
| n/i | Solenoid (PWM) | 1 | 90-05 | 96014795 | 5A-395 |
| n/i | Connector, electrical (4 terminal square) | 1 | 90-05 | 8662395 | 25A-104 |
| n/i | Connector, electrical (5 prongs round) | 1 | 90-05 | 8649507 | 25A-105A |
| n/i | Connector, electrical (7 prongs round) | 1 | 00-05 | n/a | 25A-107A |
| n/i | Harness, internal wiring (w/bolt-on TCC) | 1 | 91-99 | n/a | 16A-270 |
| n/i | Harness, internal wiring (w/bolt-on TCC) | 1 | 00-04 | 8-96018-478-0 | 16A-273 |
| n/i | Harness, internal wiring (w/push-on TCC) | 1 | 00-05 | n/a | 16A-276 |
| n/i | Harness, internal wiring (7 prongs) | 1 | 00-04 | 8-96018-581-0 | 16A-274 |
| SPRAGS | | | | | |
| D63 | Sprag .700" 2.295" od (26 elements) | 1 | 69-05 | 5258137 | 61725 |
| B106 | Roller clutch | 1 | 90-05 | 8-08634-049-0 | 32849 |
| BONDED PISTONS | | | | | |
| B77 | Piston, bonded rubber | 1 | 90-05 | 8-96017-401-0 | 41530 |
| n/i | Cover, bonded rubber | 1 | 90-05 | 96017095 | 41228 |
| NOTES | | | | | |
| | | | | | |
| | | | | | |
| | | | | | |
| | | | | | |
| | | | | | |
| | | | | | |
| | | | | | |
| | | | | | |
| | | | | | |
| | | | | | |



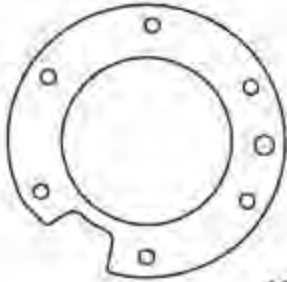
13590



13592A



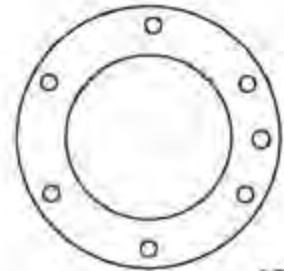
13592



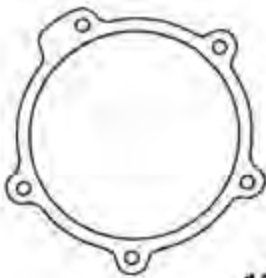
13591



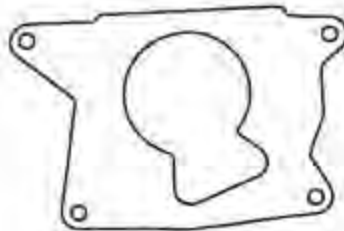
13589



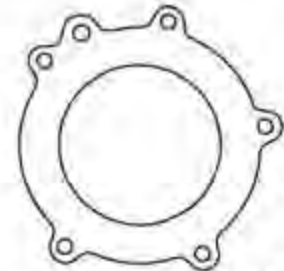
13593



13595

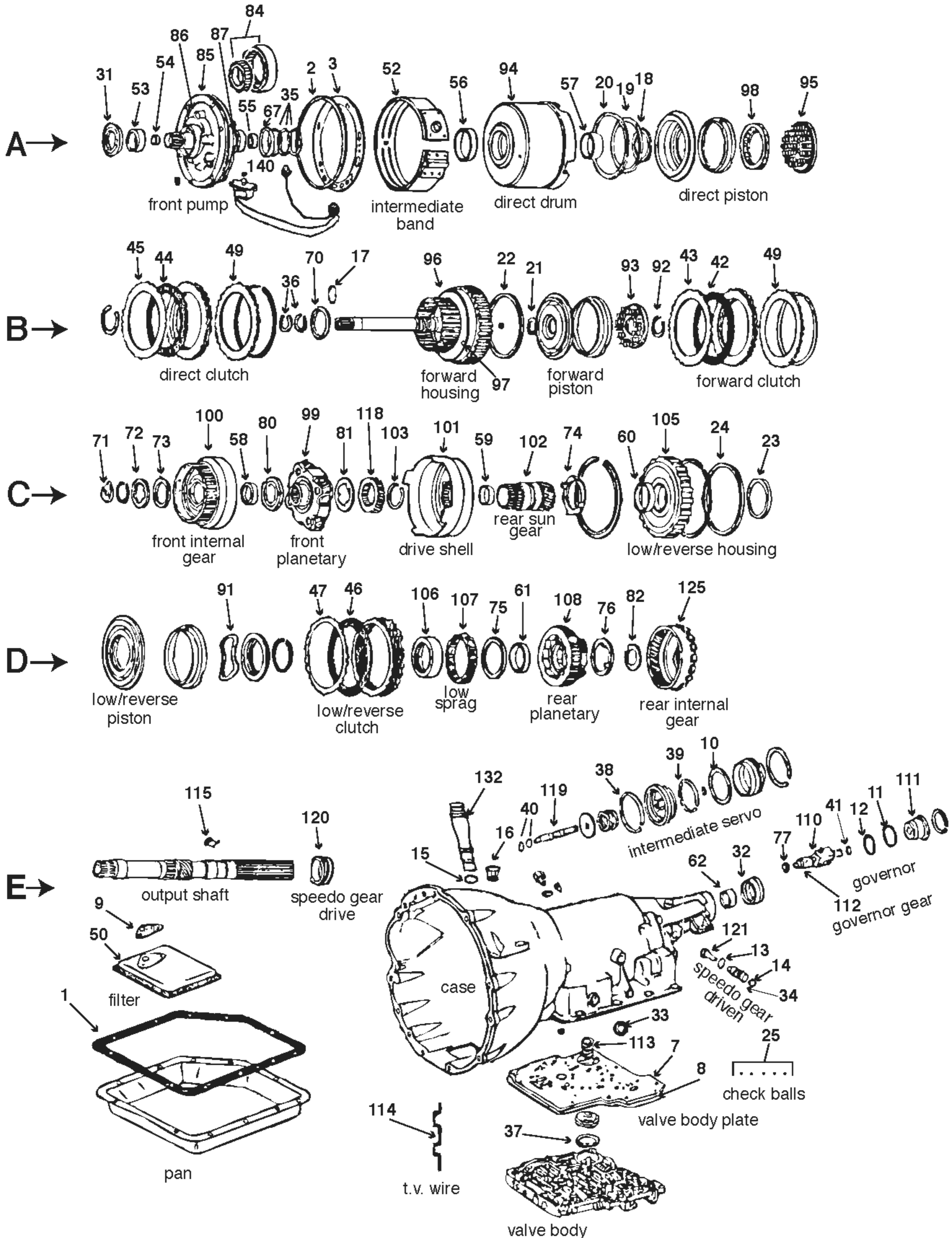


13596



13594

| DESCRIPTION | Qty | Year | PART # |
|--|-----|---------|--------|
| TRANSFER CASE ADAPTER GASKETS | | | |
| Gasket, transfer case adapter NP203 - CHEVROLET/GMC, DODGE | 1 | 1969-79 | 13590 |
| Gasket, transfer case adapter NP205 - CHEVROLET/GMC, (w/o TH400) FORD, DODGE | 1 | 1969-Up | 13592 |
| Gasket, transfer case adapter NP205 - CHEVROLET/GMC, (w/TH400) | 1 | 1979-Up | 13592A |
| Gasket, transfer case adapter NP203/NP205 - FORD (w/direct mounting) | 1 | 1974-Up | 13591 |
| Gasket, transfer case adapter NP208/NP241 - CHEVROLET/GMC | 1 | 1980-Up | 13589 |
| Gasket, transfer case adapter NP208/BW1345/BW1356 - AMC, DODGE, FORD | 1 | 1980-Up | 13593 |
| Gasket, transfer case adapter NP207/NP231 - CHEVY/GMC "S" SERIES w/TH700-R4 | 1 | 1983-Up | 13595 |
| Gasket, transfer case adapter BW QUADRATRAC - JEEP (except CJ series) | 1 | 1974-79 | 13596 |
| Gasket, transfer case adapter BW1350 - FORD | 1 | 1980-Up | 13594 |
| | | | |
| | | | |
| | | | |
| | | | |
| | | | |
| | | | |
| | | | |



TH200/C
32000

| ILL | DESCRIPTION | | QTY | YEAR | REFERENCE # | PART # |
|--------------------------------------|--|---|-----|-------|-------------|-----------|
| TECHNICAL MANUALS | | | | | | |
| K53 | Tech manual TH200C dis/assembly | diagnosis/troubleshooting | 1 | 76-87 | 83-200TM | 010-303 |
| REBUILDER KITS | | | | | | |
| K4 | Master deluxe rebuild kit (w/metal rings) | TH200/C | 1 | 76-87 | AE | K3200B-R |
| K4 | Master deluxe rebuild kit (w/teflon rings) | TH200/C | 1 | 76-87 | AE | K3200A-R |
| K5 | Master kit w/steels (w/teflon rings) | w/o servo lip seals | 1 | 76-87 | AE | K3200 |
| K5 | Master kit w/steels (w/metal rings) | w/o servo lip seals | 1 | 76-87 | AE | K3200B |
| K6 | Master kit w/o steels (w/metal rings) | w/servo lip seals | 1 | 76-87 | AE | K3200B-LS |
| K6 | Master kit w/o steels (w/teflon rings) | w/servo lip seals | 1 | 76-87 | AE | K3200-LS |
| K7 | O/H gasket set w/seals-rings | w/metal ring kit | 1 | 76-87 | AE | K32900B |
| K7 | O/H gasket set w/seals-rings | w/teflon ring kit | 1 | 76-87 | AE | K32900C |
| K8 | External seal kit | TH200/C | 1 | 76-87 | AE | K32900-2 |
| K11 | Gasket and seal kit | TH200/C | 1 | 76-87 | AE | K32900C-1 |
| K28 | Kit, lip seal | servo | 1 | 81-87 | AE | K32900-3 |
| VALVE BODY KITS | | | | | | |
| K15 | Shift Kit® corrects soft shifts | TH200 (pressure rise) | 1 | 76-78 | SK® 200 | K32908 |
| K15 | Shift Kit® corrects soft shifts | TH200/C (pressure rise) | 1 | 79-87 | SK® 279 | K32908A |
| K15 | Shift Correction Package | TH200/C | 1 | 76-87 | K200 | S32908A |
| K38 | Loss of lockup control kit | TH200C | 1 | 79-87 | 200LU | K32877 |
| GASKETS AND RUBBER COMPONENTS | | | | | | |
| E1 | Gasket, oil pan | neoprene/cork | 1 | 76-87 | 8633380 | 13900X |
| E1 | Gasket, oil pan | Duraprene® | 1 | 76-87 | 8633380 | 13900D |
| A2 | Seal, lathe cut | TH200 (pump to case) | 1 | 76-87 | 8628052 | 13902 |
| A3 | Gasket | TH200 (pump to case) | 1 | 76-87 | 8633899 | 13901 |
| E7 | Gasket, valve body | TH200 (upper case to spacer plate) | 1 | 76-78 | 8628871 | 13926 |
| E7 | Gasket, valve body | TH200C (upper case to spacer plate) | 1 | 79-87 | 8633624 | 13926B |
| E8 | Gasket, valve body | TH200 (lower spacer plate to VB) | 1 | 76-79 | 8628870 | 13926A |
| E8 | Gasket, valve body | TH200 (lower spacer plate to VB) | 1 | 79-87 | 8633623 | 13926C |
| E9 | Gasket | TH200/C (filter) | 1 | 76-87 | 8628300 | 13903 |
| E10 | O'ring | TH200/C (intermediate servo cover) | 1 | 76-87 | 8628136 | 13920 |
| E11 | O'ring | governor cover (large) | 1 | 76-87 | 8628243 | 3131L |
| E12 | O'ring | governor cover (small) | 1 | 76-87 | 8628248 | 13915 |
| E13 | O'ring | speedo gear hsg (except Tracker/Sidekick) | 1 | 76-87 | 6264903 | 3410L |
| E13 | O'ring (2 1/8" dia) | speedo gear housing (large) | 1 | 79-87 | 25501478 | 13582 |
| E14 | Lip seal w/o spring | speedo driven gear (w/o spring) | 1 | 76-87 | 1240382 | 3991LS |
| E14 | Lip seal w/spring | speedo driven gear (with spring) | 1 | 76-87 | 2538588HD | 3991L |
| E15 | O'ring | filler tube to case | 1 | 76-78 | 6264902 | 3291L |
| E16 | Multi lip seal (boot) | filler tube to case | 1 | 79-87 | 1259475 | 13925 |
| B17 | O'ring | input shaft | 1 | 79-87 | 8630049 | 13917 |
| B17 | O'ring (teflon coated/green) | input shaft 2.5L/2.8L engines | 1 | 81-87 | 8662686 | 13766 |
| A18 | Lip seal | direct clutch piston (inner) | 1 | 76-87 | 8628079 | 13963 |
| A19 | Lip seal | direct clutch piston (center) | 1 | 76-87 | 8630295 | 13959 |
| AB20 | Lip seal | direct/forward clutch piston (outer) | 2 | 76-87 | 8628078 | 13961 |
| B21 | Lip seal | forward clutch piston (inner) | 1 | 76-87 | 8630102 | 13962 |
| C23 | Lip seal | low/reverse clutch piston (inner) | 1 | 76-87 | 8628246 | 13960 |
| C24 | Lip seal | low/reverse clutch piston (outer) | 1 | 79-87 | 8628364 | 13964 |
| E25 | Ball, check (1/4" steel) | valve body (steel) | 5 | 76-87 | 6261179S | 13924S |
| n/i | O'ring | detent cable | 1 | 76-78 | 358424 | 3566 |
| n/i | Multi lip seal (boot) | detent cable | 1 | 79-87 | 25518260 | 13581 |
| n/i | Seal, metal clad | case to low/reverse housing | 1 | 79-87 | 8631577 | 13969 |
| n/i | O'ring | lock up solenoid | 1 | 79-87 | 8630052 | 13918 |
| n/i | Cup, plug | parking pawl | 1 | 76-87 | 8620318 | 13970 |
| n/i | Washer, coated | pump bolts | 6 | 76-87 | 8626281 | 13268A |

| ILL | DESCRIPTION | | QTY | YEAR | REFERENCE # | PART # |
|-------------------------|-------------------------------------|---------------------------------------|-----|-------|-------------|---------|
| METAL CLAD SEALS | | | | | | |
| A31 | Seal, metal clad | TH200/C (front) | 1 | 76-87 | 8648394 | 61151A |
| A31 | Seal, metal clad 60x38x12mm | extension housing | 1 | 76-87 | 1243402 | 8850B |
| E33 | Seal, metal clad | manual lever shaft | 1 | 76-87 | 8623056 | 38511 |
| E34 | Seal, metal clad | speedo driven gear/speedo housing | 1 | 76-87 | 3869910 | 38511X |
| SEALING RINGS | | | | | | |
| K10 | Kit, sealing ring | metal and teflon (13M/6T) | 1 | 76-87 | AE | K32903B |
| K10 | Kit, sealing ring | teflon (17 rings) | 1 | 79-87 | AE | K32903T |
| A35 | Ring, sealing (teflon) | pump stator (rear) | 3 | 76-87 | 862805T | 32300T |
| B36 | Ring, sealing (metal) 1.063" od | turbine shaft | 2 | 76-87 | 8628090 | 32301 |
| B36 | Ring, sealing (teflon) 1.063" od | turbine shaft | 2 | 76-87 | 8628090 | 32301T |
| E37 | Ring, sealing (metal) 1.998" od | 1-2 accumulator | 1 | 76-87 | 8628275 | 32302 |
| E37 | Ring, sealing (teflon) 1.998" od | 1-2 accumulator | 1 | 76-87 | 8628275 | 32302T |
| E38 | Ring, sealing (metal) | intermediate servo (outer) | 1 | 76-83 | 8628123 | 32303 |
| E38 | Ring, sealing (teflon) | intermediate servo (outer) | 1 | 76-83 | 8628123 | 32303T |
| E39 | Ring, sealing (metal) 2.36" od | intermediate servo (inner) | 1 | 76-78 | 8628697 | 32306 |
| E39 | Ring, sealing (teflon) 2.360" od | intermediate servo (inner) | 1 | 76-78 | 8628697 | 32306T |
| E39 | Ring, sealing (metal) 2.54" od | intermediate servo (inner) | 1 | 76-78 | 8630080 | 32307 |
| E39 | Ring, sealing (teflon) 2.504" od | intermediate servo (inner) | 1 | 76-78 | 8630080 | 32307T |
| E39 | Ring, sealing (metal) 2.67" od | intermediate servo (inner) | 1 | 76-78 | 8628124 | 32304 |
| E39 | Ring, sealing (teflon) 2.67" od | intermediate servo (inner) | 1 | 76-78 | 8628124 | 32304T |
| E39 | Ring, sealing (metal) 2.89" od | intermediate servo (inner) | 1 | 76-78 | 8628125 | 32305 |
| E39 | Ring, sealing (teflon) 2.89" od | intermediate servo (inner) | 1 | 76-78 | 8628125 | 32305T |
| E40 | Ring, sealing | intermediate band apply pin | 2 | 79-87 | 8630120 | 32323T |
| E41 | Ring, sealing | governor | 1 | 76-87 | 8633455 | 32308T |
| n/i | Ring, sealing (metal) 1.96" od | intermediate servo piston (inner) | 1 | 79-84 | 8630568 | 32311 |
| n/i | Ring, sealing (teflon) 1.96" od | intermediate servo piston (inner) | 1 | 79-84 | 8630568 | 32311T |
| n/i | Ring, sealing (metal) 2.14" od | intermediate servo piston (inner) | 1 | 79-84 | 8632149 | 32312 |
| n/i | Ring, sealing (teflon) 2.140" od | intermediate servo piston (inner) | 1 | 79-84 | 8632149 | 32312T |
| n/i | Ring, sealing (metal) 2.28" od | intermediate servo piston (inner) | 1 | 79-84 | 8632150 | 32310 |
| n/i | Ring, sealing (teflon) 2.28" od | intermediate servo piston (inner) | 1 | 79-84 | 8632150 | 32310T |
| n/i | Ring, sealing (metal) 2.40" od | intermediate servo piston (inner) | 1 | 79-84 | 8632151 | 32313 |
| n/i | Ring, sealing (teflon) 2.40" od | intermediate servo piston (inner) | 1 | 79-84 | 8632151 | 32313T |
| n/i | Ring, sealing (metal) | intermediate servo piston (inner) | 1 | 79-84 | 8631473 | 32309 |
| n/i | Ring, sealing (teflon) | intermediate servo piston (inner) | 1 | 79-84 | 8631473T | 32309T |
| CLUTCH PLATES | | | | | | |
| B42 | Friction .078" 5.225" od 30T | forward clutch | 4/5 | 76-87 | 8657168 | 32103 |
| B42 | Friction .078" 5.225" od 30T | forward clutch (high performance) | 4/5 | 76-87 | 8648350HP | 32103H |
| B43 | Steel .078" 4.342" id 30T | forward clutch | 3/4 | 76-87 | 8628086 | 32100 |
| B43 | Steel, waved .062" 4.342" id 30T | forward clutch (cushion) | 1 | 76-87 | 8628085 | 32105 |
| B44 | Friction .078" 5.225" od 30T | direct clutch | 4/5 | 76-87 | 8657168 | 32103 |
| B44 | Friction .078" 5.225" od 30T | direct clutch | 4/5 | 76-87 | 8648350HP | 32103H |
| B45 | Steel .090" 4.342" id 30T | direct clutch | 3/6 | 76-87 | 8628484 | 32104 |
| B45 | Steel .090" 4.342" id 30T (Kolene®) | direct clutch | 3/6 | 76-87 | 8628484 | 32104K |
| B45 | Steel .100" 4.342" id 30T | direct clutch | ar | 76-87 | 86284840S | 32104X |
| D46 | Friction .075" 5.525" od 44T | low/reverse clutch | 4/6 | 76-87 | 8648351 | 32102A |
| D46 | Friction .075" 5.525" od 44T | low/reverse clutch (high performance) | 4/6 | 76-87 | 8648351HP | 32102H |
| D47 | Steel .078" 4.691" id 44T | low/reverse clutch | 5/7 | 76-87 | 8628224 | 32101 |
| D47 | Steel .088" 4.691" id 44T | low/reverse clutch | ar | 76-87 | 86282240S | 32101X |
| D47 | Steel .078" 4.691" id 44T (Kolene®) | low/reverse clutch | 5/7 | 76-87 | 8628224 | 32101K |
| D47 | Steel, waved .078" 4.691" id 44T | low/reverse clutch (cushion) | ar | 76-87 | 8633371 | 32101A |
| PRESSURE PLATES | | | | | | |
| B49 | Pressure plate .250" 6.25mm | forward/direct clutch | 2 | 76-87 | 8628088 | 32714-R |

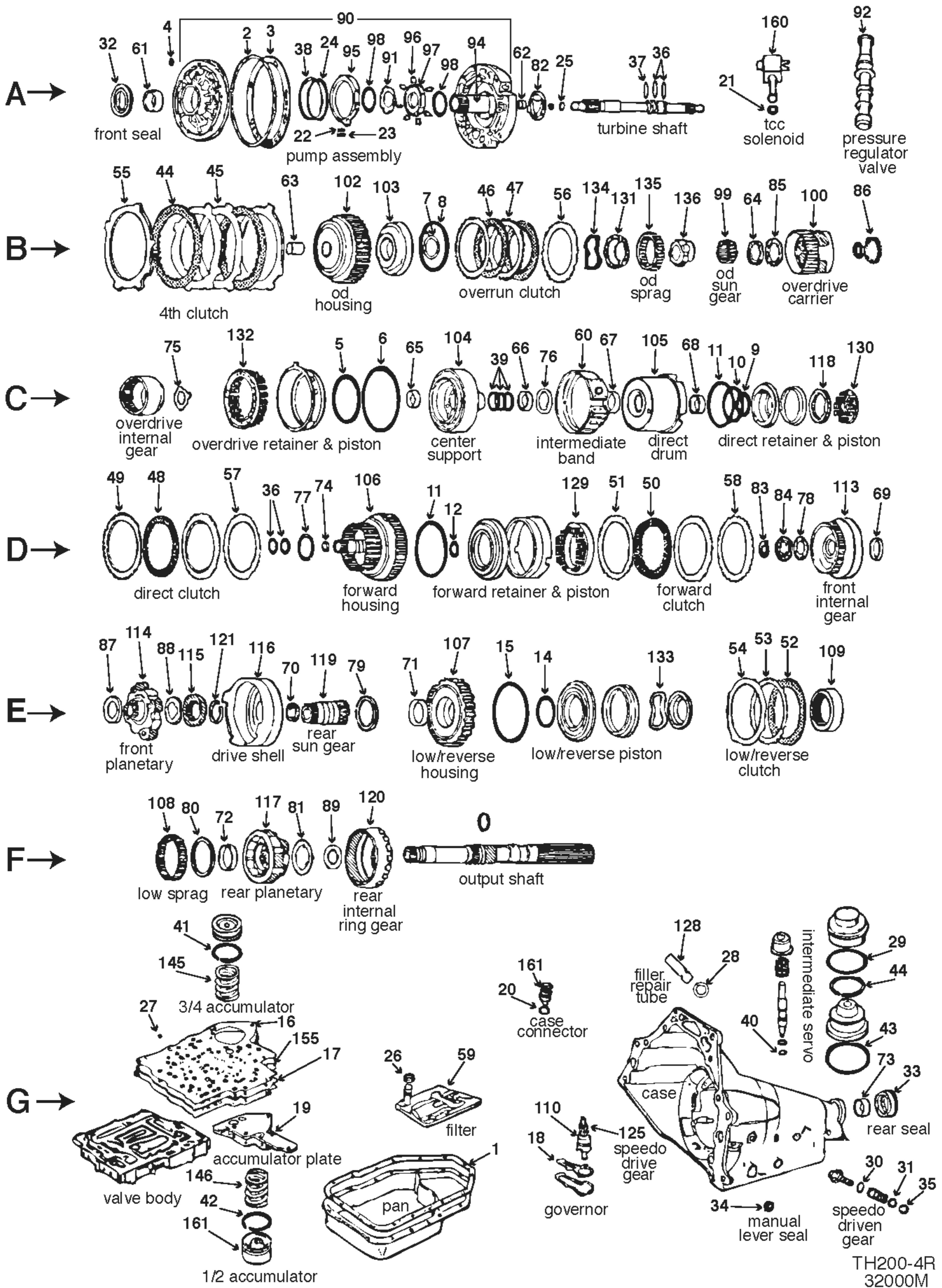
| ILL | DESCRIPTION | QTY | YEAR | REFERENCE # | PART # |
|-------------------------------------|--|-----|-------|-------------|----------|
| FILTERS | | | | | |
| K9 | Kit, filter TH200 use w/2 1/4" pan neoprene/cork | 1 | 76-79 | AE | FK32710 |
| K9 | Kit, filter TH200 use w/2 1/4" pan Duraprene® | 1 | 76-79 | AE | DK32710 |
| K9 | Kit, filter TH200 use w/2 9/16" deep pan neoprene/cork | 1 | 79-87 | AE | FK32710A |
| K9 | Kit, filter TH200 use w/2 9/16" deep pan Duraprene® | 1 | 79-87 | AE | DK32710A |
| E50 | Filter 2 1/4" pan | 1 | 76-79 | 8638964 | 32710 |
| E50 | Filter 2 9/16" deep pan | 1 | 79-87 | 8632949 | 32710A |
| n/i | Screen, filter lock-up/TCC solenoid | 1 | 80-87 | 8627509 | 34713 |
| BANDS | | | | | |
| A52 | Band, flex intermediate | 1 | 76-87 | 8628098 | 32700F |
| BUSHINGS | | | | | |
| K13 | Kit, bushing TH200/C | 1 | 76-87 | AE | K32901 |
| A53 | Bushing (babbit) pump body | 1 | 76-87 | 8649963 | 32005 |
| A54 | Bushing (bronze) stator support (front) | 1 | 76-87 | 8628915 | 32006 |
| A55 | Bushing stator support (rear) | 1 | 76-87 | 8628916 | 32003 |
| A56 | Bushing direct drum (front large) | 1 | 76-87 | 8628918 | 32000 |
| A57 | Bushing 1.886" od 47.64mm direct drum (rear small) | 1 | 76-87 | 8628917 | 32001 |
| C58 | Bushing front internal gear | 1 | 76-87 | 8630990 | 32002A |
| C59 | Bushing rear sun gear | 1 | 76-87 | 8628928 | 32007 |
| C60 | Bushing low/rev housing | 1 | 76-87 | 8628929 | 32008 |
| D61 | Bushing rear carrier (planetary) | 1 | 76-87 | 8628947 | 32004 |
| E62 | Bushing (babbit) 1.626" od extension housing | 1 | 76-87 | 6260048 | 8008A |
| E62 | Bushing (bronze w/dimples) extension housing (w/27 spline output) | 1 | 76-87 | 6260048 | 8008 |
| WASHERS/BEARINGS/RACES/SHIMS | | | | | |
| K12 | Kit, thrust bearing TH200/C | 1 | 76-87 | AE | K32906 |
| K14 | Kit, thrust washer, w/o thrust bearing w/o popular selectives | 1 | 76-87 | AE | K32907 |
| K14 | Kit, thrust washer TH200/C | 2 | 76-87 | AE | K51442 |
| K14 | Kit, planetary carrier washer 1 each selective | 1 | 76-87 | AE | K32907A |
| K14 | Kit, planetary carrier washer 1 each selective | 1 | 76-87 | AE | K32907B |
| A67 | Thrust washer pump to direct clutch drum | 1 | 76-87 | 8628056 | 32401 |
| B70 | Thrust washer direct drum to forward clutch housing | 1 | 76-87 | 8628091 | 32402 |
| C71 | TW (plastic) .068" (white #1) forward clutch housing to output shaft | sel | 76-87 | 8639291 | 32400 |
| C71 | TW (plastic) .073" (neutral #2) forward clutch housing to output shaft | sel | 76-87 | 8639292 | 32400A |
| C71 | TW (plastic) .078" (black #3) forward clutch housing to output shaft | sel | 76-87 | 8639293 | 32400B |
| C71 | TW (plastic) .083" (green #4) forward clutch housing to output shaft | sel | 76-87 | 8639294 | 32400C |
| C71 | TW (plastic) .088" (red #5) forward clutch housing to output shaft | sel | 76-87 | 8639295 | 32400D |
| C71 | TW (plastic) .093" (purple #6) forward clutch housing to output shaft | sel | 76-87 | 8639296 | 32400E |
| C71 | TW (plastic) .098" (brown #7) forward clutch housing to output shaft | sel | 76-87 | 8639297 | 32400F |
| C71 | TW (plastic) .103" (orange #8) forward clutch housing to output shaft | sel | 76-87 | 8639298 | 32400G |
| C71 | TW (plastic) .108" (yellow #9) forward clutch housing to output shaft | sel | 76-87 | 8639299 | 32400H |
| C71 | TW (plastic) .113" (lt blue #10) forward clutch housing to output shaft | sel | 76-87 | 8639300 | 32400J |
| C71 | TW (plastic) .118" (lt tan #11) forward clutch housing to output shaft | sel | 76-87 | 8639301 | 32400K |
| C71 | TW (plastic) .123" (tan #12) forward clutch housing to output shaft | sel | 76-87 | 8639302 | 32400L |
| C71 | TW (plastic) .128" (rose #13) forward clutch housing to output shaft | sel | 76-87 | 8639303 | 32400M |
| C71 | TW (plastic) .133" (lt green #14) forward clutch housing to output shaft | sel | 76-87 | 8639304 | 32400N |
| C71 | TW (plastic) .138" (smoke #15) forward clutch housing to output shaft | sel | 76-87 | 8639305 | 32400P |
| C72 | TW (metal) .117" (orange #1) output shaft snap ring to brass TW | 1 | 76-87 | 8628161 | 32212 |
| C72 | TW (metal) .124" (white #2) output shaft snap ring to brass TW | 1 | 76-87 | 8630892 | 32212A |
| C72 | TW (metal) .131" (yellow #3) output shaft snap ring to brass TW | 1 | 76-87 | 8630893 | 32212B |
| C72 | TW (metal) .138" (yellow #4) output shaft snap ring to brass TW | 1 | 76-87 | 8630894 | 32212C |
| C72 | TW (metal) .145" (red #5) output shaft snap ring to brass TW | 1 | 76-87 | 8630895 | 32212D |
| C72 | TW (metal) .152" (brown #6) output shaft snap ring to brass TW | 1 | 76-87 | 8630896 | 32212E |
| C72 | TW (metal) .159" (green #7) output shaft snap ring to brass TW | 1 | 76-87 | 8630897 | 32212F |
| C72 | TW (metal) .166" (black #8) output shaft snap ring to brass TW | 1 | 76-87 | 8630898 | 32212G |

TH200•200•TH200C

TH200•C

| ILL | DESCRIPTION | QTY | YEAR | REFERENCE # | PART # | |
|---|---|---|------|-------------|-----------|----------|
| WASHERS/BEARINGS/RACES/SHIMS (CONTINUED) | | | | | | |
| C72 | TW (metal) .173" (pink #9) | output shaft snap ring to brass TW | 1 | 76-87 | 8630899 | 32212H |
| C72 | TW (metal) .100" (gold #10) | output shaft snap ring to brass TW | 1 | 76-87 | 8630911 | 32212J |
| C73 | Thrust washer | selective washer to front internal gear | 1 | 76-87 | 8628765 | 32403 |
| C74 | Washer, thrust (metal) .060" (4 tabs) | drive shell to low/rev housing | 1 | 76-79 | 8628549 | 32406 |
| C74 | Washer, thrust (plastic) .060" (4 tabs) | drive shell to low/rev housing (standard) | 1 | 79-87 | 8628766 | 32406A |
| C74 | Thrust washer (plastic) .080" | drive shell to low/rev housing (thick) | ar | 79-87 | 86287660S | 32406X |
| D75 | Thrust washer (plastic) | low roller clutch race to rear planetary | 1 | 76-87 | 8628182 | 32408 |
| D76 | Thrust washer (metal) | rear planetary to rear internal gear | 1 | 76-87 | 8628188 | 32409 |
| E77 | Thrust washer (metal) | governor driven gear to case | 1 | 76-87 | 8628584 | 32213 |
| C80 | Bearing, thrust | front internal gear to front planetary | 1 | 78-87 | 8628202 | 32404 |
| C81 | Bearing, thrust | front planetary to front sun gear | 1 | 78-87 | 8633875 | 32405 |
| D82 | Bearing, thrust | rear planetary to rear internal gear | 1 | 78-87 | 8628962 | 32409A |
| SNAP RINGS | | | | | | |
| B92 | Snap ring | forward/direct clutch | 1 | 76-87 | 8628089 | 32762-R |
| C103 | Snap ring | drive shell to sun gear | 2 | 76-87 | 8623105 | 32733-R |
| n/i | Snap ring | output shaft | 1 | 76-87 | 8628170 | 32761-R |
| PUMP PARTS AND PUMPS | | | | | | |
| A84 | Gear set, pump .677" | TH200 | 1 | 77-78 | AE | K32201 |
| A84 | Gear set, pump .776" | TH200C | 1 | 79-87 | AE | K32201A |
| A84 | Gear set, pump .777" | TH200C | 1 | 79-87 | AE | K32201B |
| A84 | Gear set, pump .778" | TH200C | 1 | 79-87 | AE | K32201C |
| A85 | Pump assembly | TH200 | 1 | 77-78 | AE | 32200-R |
| A85 | Pump assembly | TH200 | 1 | 79-80 | AE | 32200A-R |
| A85 | Pump assembly | TH200C | 1 | 79-87 | AE | 32200B-R |
| A86 | Body and gear assembly, pump | TH200C | 1 | 80-87 | 8638922 | 32202C-R |
| A87 | Pump stator support | TH200C | 1 | 80-87 | 8633958 | 32203B-R |
| HARD PARTS | | | | | | |
| D91 | Spring, waved | low/reverse return | 1 | 76-87 | 8628222 | 32551-R |
| B93 | Retainer, w/springs | forward housing | 1 | 76-87 | 8628492 | 32751A-R |
| A94 | Drum, direct clutch | TH200/C | 1 | 76-87 | 8630922 | 32726-R |
| A95 | Guide, for retainer w/springs | direct clutch | 1 | 76-87 | 8630096 | 32751-R |
| B96 | Housing, forward clutch w/input shaft | S-10 truck | 1 | 81-87 | 8633948 | 32733C-R |
| B97 | Check valve w/ball | forward housing | 1 | 76-87 | 8633748 | 32764 |
| C99 | Planetary | front | 1 | 76-87 | 8628174 | 32747-R |
| C100 | Gear, front internal | ring gear | 1 | 76-87 | 8639947 | 32748-R |
| C101 | Shell, drive | TH200/C | 1 | 76-87 | 8648360 | 32729-R |
| C101 | Shell, drive | TH200/C | 1 | 76-87 | 8648484 | 32729 |
| C102 | Gear, sun | rear | 1 | 76-87 | 8628206 | 32728B-R |
| C105 | Housing, low/reverse | TH200/C | 1 | 76-87 | 8628212 | 32727-R |
| D106 | Race, inner | low/reverse roller clutch | 1 | 76-87 | 8628184 | 32430-R |
| D108 | Planetary | rear | 1 | 76-84 | 8639909 | 32730A-R |
| E110 | Governor assembly 14T | TH200/C | 1 | 76-78 | 8628964 | 32410A-R |
| E110 | Governor assembly 13T (diesel) | 1 spring | 1 | 79-87 | 8633940 | 32410C |
| E110 | Governor assembly 13T (gas) | 2 springs | 1 | 79-87 | 8633942 | 32410B |
| E111 | Cover, governor w/seals | TH200/C | 1 | 76-87 | 8628933 | 32707 |
| E112 | Gear, governor 14T | TH200/C | 1 | 76-79 | 202 | 32411 |
| E112 | Gear, governor 13T | TH200/C | 1 | 79-87 | 204 | 32411B |
| E113 | Spring | 1-2 accumulator | 1 | 76-87 | 8634391 | 32706 |
| E114 | Link, throttle lever (wire) | TH200/C | 1 | 76-87 | 8657304 | 32765 |
| E115 | Clip, double fold 1/2" | speedo drive gear | 1 | 76-79 | 8628557 | 32226A |
| C118 | Gear, sun | front | 1 | 76-87 | 8628190 | 32728A-R |
| E119 | Pin, band apply (1 groove) | TH200C | sel | 79-87 | 8632973 | 32708A |
| E119 | Pin, band apply (2 grooves) | TH200C | sel | 79-87 | 8632974 | 32708B |

| ILL | DESCRIPTION | QTY | YEAR | REFERENCE # | PART # | |
|-------------------------------|---|--------------------------------------|------|-------------|----------|---------|
| HARD PARTS (CONTINUED) | | | | | | |
| E119 | Pin, band apply (3 grooves) | TH200C | sel | 79-87 | 8632975 | 32708C |
| E119 | Pin, band apply (no groove longest) | TH200C | sel | 79-87 | 8632976 | 32708 |
| D125 | Gear, rear internal | ring gear | 1 | 76-87 | 8628196 | 32749-R |
| E132 | Filler tube repair | TH200/C | 1 | 79-87 | M99100A | 96-140A |
| n/i | Pin, throttle valve boost | hardened steel | 1 | 79-87 | M12712 | 51966 |
| n/i | Pin, servo extendo | extendo | 1 | 76-87 | 65786E | 32708E |
| n/i | Valve, lockup | self cleaning | 1 | 76-87 | 8633877 | 32877 |
| n/i | Kit, detent cable repair end | replacement end (plastic) | 1 | 76-80 | K35909U | K35909A |
| n/i | Cable, detent | universal | 1 | 77-87 | K65940U | 63-399 |
| ELECTRICAL COMPONENTS | | | | | | |
| A140 | Solenoid (PT, EG, w/o GR) | lock-up/TCC | 1 | 81-87 | 8633945 | 5A-113 |
| A140 | Solenoid (PT, 1G2, w/GR) | lock-up/TCC | 1 | 81-87 | 8633946 | 5A-114 |
| A140 | Solenoid (PT, 1G2, w/GR) | lock-up/TCC | 1 | 82-87 | 8633947 | 5A-115 |
| A140 | Solenoid | lock-up/TCC | 1 | 84-06 | 8638931 | 5A-116 |
| A140 | Solenoid, lock-up/TCC (universal) | replaces all | 1 | 80-87 | 52-0210 | 5A-146 |
| A140 | Solenoid (ST, IGI, w/GR) | lock-up/TCC | 1 | 79-81 | 8632950 | 15A-115 |
| n/i | Switch, pressure | governor (in valve body)(3rd w/tube) | 1 | 83-87 | 8648190 | 15A-114 |
| n/i | Switch, pressure (non-grounding) | governor (in valve body) | 1 | 79-87 | 15A-133 | 15A-133 |
| n/i | Switch, pressure 36-40 PSI (orange) | governor (in valve body) | 1 | 79-87 | 8648060 | 15A-140 |
| n/i | Switch, pressure 46 PSI (silver) | governor (in valve body) | 1 | 79-87 | 8648063 | 15A-146 |
| n/i | Switch, pressure 48 PSI (orange) | governor (in valve body) | 1 | 79-87 | 8648064 | 15A-148 |
| n/i | Switch, pressure 50 PSI (white) | governor (in valve body) | 1 | 79-87 | 8648065 | 15A-150 |
| n/i | Switch, pressure 54 PSI (blue) | governor (in valve body) | 1 | 79-87 | 8648067 | 15A-154 |
| n/i | Connector, electrical (2 spade oval) | case | 1 | 79-80 | 12300205 | 25A-101 |
| n/i | Connector, electrical (3 terminal square) | case | 1 | 81-87 | 12015026 | 25A-103 |
| n/i | Connector, electrical (4 terminal square) | case | 1 | 79-87 | 8635152 | 25A-104 |
| SWITCH KITS | | | | | | |
| K46 | Switch kit@ TH200C to TH350 | V/8 | 1 | 82-87 | 2-35B | 2-35B |
| K46 | Switch kit@ TH200C to TH350 | 2.8L V/6 | 1 | 82-83 | 2S-35B | 2S-35B |
| SPRAGS | | | | | | |
| D107 | Roller clutch | low/reverse | 1 | 76-87 | 8628183 | 32502-R |
| D107 | Sprag, roller clutch | low/reverse | 1 | 76-87 | 8628183 | 32502 |
| SPEEDO GEARS | | | | | | |
| n/i | Gear, speedo driven w/shaft 28T | yellow (plastic) | 1 | 76-87 | 416765 | 03-170 |
| n/i | Gear, speedo driven w/shaft 29T | green (plastic) | 1 | 76-87 | 403999 | 03-174 |
| n/i | Gear, speedo driven w/shaft 30T | blue (plastic) | 1 | 76-87 | 561035 | 03-178 |
| n/i | Gear, speedo driven w/shaft 31T | natural (plastic) | 1 | 76-87 | 403417 | 03-182 |
| n/i | Gear, speedo driven w/shaft 27T | black (plastic) | 1 | 76-87 | n/a | 03-186 |
| n/i | Gear, speedo drive 10T (metal) | purple | 1 | 76-87 | 8628838 | 02-240 |
| n/i | Gear, speedo drive 19T (plastic) | yellow | 1 | 76-87 | 8628891 | 02-242 |
| n/i | Gear, speed drive 10T (plastic) | green | 1 | 76-87 | 8632646 | 02-244 |
| n/i | Gear, speedo drive 12T (plastic) | red | 1 | 76-87 | 8632647 | 02-246 |
| n/i | Gear, speedo drive 9T (plastic) | yellow | 1 | 76-87 | 8632648 | 02-248 |
| n/i | Gear, speedo drive 18T (plastic) | blue | 1 | 76-87 | 1246222 | 02-250 |
| n/i | Gear, speedo drive 17T (plastic) | red | 1 | 76-87 | 8628793 | 02-252 |
| n/i | Gear, speedo drive 20T (plastic) | brown | 1 | 76-87 | 8628894 | 02-254 |
| n/i | Housing, speedo | plastic | 1 | 76-87 | n/a | 04-189 |
| n/i | Housing, speedo | metal | 1 | 76-87 | n/a | 04-191 |
| NOTES | | | | | | |
| | | | | | | |
| | | | | | | |
| | | | | | | |
| | | | | | | |



TH200-4R
32000M

| ILL | DESCRIPTION | | QTY | YEAR | REFERENCE # | PART # |
|--------------------------------------|-----------------------------------|------------------------------------|-----|-------|-------------|------------|
| TECHNICAL MANUALS | | | | | | |
| K53 | Tech manual TH200-4R dis/assembly | diagnosis/troubleshooting | 1 | 81-90 | 83-2004RTM | 010-304 |
| REBUILDER KITS | | | | | | |
| K4 | Master deluxe rebuild kit | w/servo lip seals | 1 | 81-90 | AE | K3200M-R |
| K5 | Master kit w/steels | w/servo lip seals | 1 | 81-90 | AE | K3200M |
| K6 | Master kit w/o steels | w/servo lip seals | 1 | 81-90 | AE | K3200M-LS |
| K7 | O/H gasket set w/seals-rings | w/servo lip seals | 1 | 81-90 | AE | K32900M |
| K8 | External seal kit | | 1 | 81-90 | AE | K32900M-2 |
| K11 | Gasket and seal kit | w/servo lip seals | 1 | 81-90 | AE | K32900M-1 |
| K28 | Kit, lip seal | servo | 1 | 84-90 | AE | K32900-3 |
| VALVE BODY KITS | | | | | | |
| K15 | Shift Kit® | correct 3-2 cut loose/soft shifts | 1 | 81-90 | SK® 200-4R | K32908M |
| K15 | Shift Improver Kit | TH200-4R | 1 | 81-90 | 35265 | 114-35265 |
| K15 | Transpak™ | TH200-4R | 1 | 81-90 | 35229 | 114-35229 |
| K15 | Reprogramming Kit™ | TH200-4R | 1 | 81-90 | 2004R-HD2 | 2004R-3 |
| K15 | Shift Correction Package | TH200-4R | 1 | 81-90 | K200-4R | S32908M |
| K15 | Shift Correction Package | high performance | 1 | 81-90 | K200-4R-HP | K200-4R-HP |
| K15 | High gear lock-up package | TH200-4R | 1 | 81-90 | K013 | K013 |
| GASKETS AND RUBBER COMPONENTS | | | | | | |
| G1 | Gasket, oil pan | neoprene/cork | 1 | 81-90 | 8634198 | 13910X |
| G1 | Gasket, oil pan | Duraprene® | 1 | 81-90 | 8657387 | 13910D |
| F2 | Seal, lathe cut | pump to case | 1 | 81-90 | 8634046 | 13980 |
| F3 | Gasket | pump to case | 1 | 81-90 | 8634047 | 13981 |
| F4 | Washer, coated | pump bolts | 6 | 81-90 | 8626281 | 13268A |
| C5 | Lip seal | 4th clutch (inner) | 1 | 81-90 | 8635562 | 13972 |
| C6 | Lip seal | 4th clutch (outer) | 1 | 81-90 | 8634024 | 13973 |
| B7 | Lip seal | overrun clutch (inner) | 1 | 81-90 | 8634054 | 13974 |
| B8 | Lip seal | overrun clutch (outer) | 1 | 81-90 | 8634053 | 13975 |
| C9 | Lip seal | direct clutch (inner) | 1 | 79-85 | 8628079 | 13963 |
| C10 | Lip seal | direct clutch (center) | 1 | 81-90 | 8630295 | 13959 |
| CD11 | Lip seal | direct/forward clutch (outer) | 2 | 81-90 | 8628078 | 13961 |
| D12 | Lip seal | forward clutch (inner) | 1 | 81-90 | 8630102 | 13962 |
| E14 | Lip seal | low/reverse clutch (inner) | 1 | 81-90 | 8628246 | 13960 |
| E15 | Lip seal | low/reverse clutch (outer) | 1 | 81-90 | 8628364 | 13964 |
| G16 | Gasket, valve body | spacer plate to case (upper) | 1 | 81-90 | 8639029 | 13976 |
| G17 | Gasket, valve body | spacer plate to valve body (lower) | 1 | 81-90 | 8639022 | 13977 |
| G18 | Gasket | governor cover | 1 | 81-90 | 8634477 | 13978 |
| G19 | Gasket, accumulator housing | TH200-4R | 1 | 81-90 | 8634166 | 13979 |
| G20 | O'ring | case connector | 1 | 81-90 | 10054241 | 3410L |
| A21 | O'ring | lock-up/TCC solenoid | 1 | 81-90 | 8634188 | 3665 |
| A22 | Seal (teflon) | pump slide | 1 | 81-90 | 8631877 | 13768 |
| A23 | Seal (rubber) | pump slide | 1 | 81-90 | 8631283 | 13762 |
| A24 | O'ring | pump slide | 1 | 81-90 | 8634088 | 13982 |
| A25 | O'ring | input shaft | 1 | 81-90 | 8630049 | 13917 |
| A25 | O'ring (teflon coated/green) | input shaft | 1 | 81-90 | 8662686 | 13766 |
| G26 | Multi lip seal | filter (retro w/late filter) | 1 | 81-06 | 8657767 | 13745 |
| G27 | Ball, check .250" od (viton) | valve body | 5 | 81-90 | 6261179 | 13924 |
| G28 | Multi lip seal (boot) | filler tube | 1 | 81-90 | 1259475 | 13925 |
| G29 | O'ring | intermediate servo cover | 1 | 81-90 | 8628136 | 13920 |
| G30 | O'ring | speedo housing | 1 | 81-90 | 8622076 | 3718L |
| G31 | Lip seal w/spring | with spring | 1 | 81-90 | 1240382HD | 3991L |
| G31 | Lip seal w/o spring | w/o spring | 1 | 81-90 | 1240382 | 3991LS |
| n/i | Seal, lathe cut (beveled) | 1-2/3-4 accumulator piston | 1 | 81-90 | 8635568 | 13965 |
| n/i | Cup, plug | parking pawl | 1 | 81-90 | 8620318 | 13970 |

TH200-4R•200-4R

TH200-4R

| ILL | DESCRIPTION | QTY | YEAR | REFERENCE # | PART # |
|--|---|-----|-------|-------------|----------|
| GASKETS AND RUBBER COMPONENTS (CONTINUED) | | | | | |
| n/i | Multi lip seal (boot) detent cable | 1 | 81-90 | 25518260 | 13581 |
| METAL CLAD SEALS | | | | | |
| A32 | Seal, metal clad front | 1 | 81-90 | 8657116 | 61151A |
| G33 | Seal, metal clad 60x38x12mm extension housing | 1 | 81-06 | 1243402 | 8850B |
| G34 | Seal, metal clad manual lever shaft | 1 | 81-90 | 8623056 | 38511 |
| G35 | Seal, metal clad speedo driven gear/small metal housing | 1 | 81-90 | 2558260 | 38511X |
| n/i | Retainer, seal front | 1 | 81-90 | 8654491 | 61991 |
| SEALING RINGS | | | | | |
| K10 | Kit, sealing ring metal | 1 | 81-90 | AE | K32903M |
| K10 | Kit, sealing ring teflon | 1 | 81-90 | AE | K32903MT |
| AD36 | Ring, sealing (metal) 1.063" od turbine shaft to forward housing shaft | 4 | 81-90 | 8628090 | 32301 |
| AD36 | Ring, sealing (teflon) 1.063" od turbine shaft to forward housing shaft | 4 | 81-90 | 8628090 | 32301T |
| A37 | Ring, sealing (teflon)(solid) turbine shaft | 1 | 81-90 | 8634598 | 32326T |
| A38 | Ring, sealing (solid)(not in kit) pump slide to pump body | 1 | 81-90 | 8634079 | 32320 |
| C39 | Ring, sealing center support | 3 | 81-90 | 8634156 | 32321 |
| G40 | Ring, sealing intermediate band apply pin | 2 | 81-90 | 8630120 | 32323T |
| G41 | Ring, sealing (teflon) 1.998" od 3-4 accumulator piston | 1 | 81-90 | 8628275 | 32302T |
| G42 | Ring, sealing (teflon) 1-2 accumulator piston | 1 | 81-90 | 8634390 | 32325T |
| G42 | Ring, sealing (metal) 1-2 accumulator piston | 1 | 81-90 | 8634390 | 32325 |
| G43 | Ring, sealing (teflon) intermediate servo (inner) | 1 | 81-90 | 8628123 | 32303T |
| G44 | Ring, sealing (teflon) 2.360" od intermediate servo (outer) | 1 | 81-90 | 862897 | 32306T |
| n/i | Ring, sealing (teflon) governor shaft | 1 | 81-90 | 8632588 | 32315T |
| n/i | Ring, sealing (teflon) 1.96" od intermediate servo (inner piston) | 1 | 81-84 | 8630568 | 32311T |
| CLUTCH PLATES | | | | | |
| B44 | Friction .080" 6.890" od 36T 4th clutch (overdrive) | 2 | 81-90 | 8657170 | 32107 |
| B45 | Steel .080" 5.845" id 6T 4th clutch (overdrive) | 3 | 81-90 | 8634026 | 32109 |
| B45 | Steel .080" 5.845" id 6T (Kolene®) 4th clutch (overdrive) | 3 | 81-90 | 8634026 | 32109K |
| B46 | Friction .088" 5.090" od 40T overrun clutch | 2 | 81-90 | 8657031 | 32108 |
| B47 | Steel .083" 3.954" id 36T overrun clutch | 2 | 81-90 | 8634050 | 32110 |
| B47 | Steel .080" 3.954" id 36T (Kolene®) overrun clutch | 2 | 81-90 | 8634050 | 32110K |
| D48 | Friction .078" 5.225" od 30T direct clutch | 4/5 | 81-90 | 8648350 | 32103 |
| D48 | Friction .078" 5.225" od 30T direct clutch | ar | 81-90 | 8648350HP | 32103H |
| D49 | Steel .090" 4.342" id 30T direct clutch | 5/6 | 81-90 | 8628484 | 32104 |
| D49 | Steel .090" 4.342" id 30T (Kolene®) direct clutch | 5/6 | 81-90 | 8628484 | 32104K |
| D49 | Steel .100" 4.342" id 30T direct clutch | ar | 81-85 | 86284840S | 32104X |
| D50 | Friction .078" 5.225" od 30T forward clutch | 4/5 | 81-90 | 8648350 | 32103 |
| D50 | Friction .078" 5.225" od 30T forward clutch | 4/5 | 81-90 | 8648350HP | 32103H |
| D51 | Steel .078" 4.342" id 30T forward clutch | 5/6 | 81-90 | 8628448 | 32100 |
| E52 | Friction .075" 5.525" od 44T low/reverse clutch | 4/6 | 81-90 | 8648351 | 32102A |
| E52 | Friction .075" 5.525" od 44T low/reverse clutch | 4/6 | 81-90 | 8628225HP | 32102H |
| E53 | Steel .078" 4.691" id 44T low/reverse clutch | 6 | 81-90 | 8628224 | 32101 |
| E53 | Steel .078" 4.691" id 44T (Kolene®) low/reverse clutch | 6 | 81-90 | 8628224 | 32101K |
| E53 | Steel .088" 4.691" id 44T low/reverse clutch | ar | 81-90 | 86282240S | 32101X |
| n/i | Steel, waved .062" 4.342" id 30T forward clutch (cushion) | ar | 81-90 | 8628085 | 32105 |
| n/i | Steel, waved .078" 4.691" id 44T low/reverse clutch (cushion) | ar | 81-90 | 8633371 | 32101A |
| PRESSURE PLATES | | | | | |
| B55 | Pressure plate .198" 5.02mm 4th clutch | 1 | 81-90 | 8634866 | 32714C-R |
| B56 | Pressure plate .198" 5.02mm overrun clutch | 1 | 81-90 | 8634052 | 32714B-R |
| D57 | Pressure plate .180" 4.55mm direct clutch | 1 | 81-90 | 8632570 | 32714A-R |
| D58 | Pressure plate .250" 6.25mm forward clutch | 1 | 81-90 | 8628088 | 32714-R |
| FILTERS | | | | | |
| K9 | Kit, filter neoprene/cork | 1 | 81-90 | AE | FK32710M |
| K9 | Kit, filter Duraprene® | 1 | 81-90 | AE | DK32710M |

| ILL | DESCRIPTION | QTY | YEAR | REFERENCE # | PART # |
|-------------------------------------|--|-----|-------|-------------|---------|
| FILTERS (CONTINUED) | | | | | |
| G59 | Filter TH200-4R | 1 | 81-90 | 8634223 | 32710M |
| n/i | Screen, filter lock-up/TCC solenoid | 1 | 81-90 | 8627509 | 34713 |
| BANDS | | | | | |
| C60 | Band, flex intermediate | 1 | 81-90 | 8628098 | 32700F |
| BUSHINGS | | | | | |
| K13 | Kit, bushing 12 pieces | 1 | 81-90 | AE | K32901M |
| A61 | Bushing (babbit) pump body | 1 | 81-90 | 8628913S | 61005 |
| A61 | Bushing (knurled special) pump body | 1 | 81-90 | M70401 | 61005A |
| A61 | Bushing (Duralife ®) pump body | 1 | 81-90 | 79015 | 61005B |
| A61 | Bushing (seal-sure) pump body | 1 | 81-90 | 65005SS | 61005X |
| A62 | Bushing (bronze) stator shaft (front) | 1 | 81-90 | 8628915 | 32006 |
| B63 | Bushing overrun clutch housing | 1 | 81-90 | 8634908 | 32017 |
| B64 | Bushing overdrive carrier (planetary) | 1 | 81-90 | 8631905 | 51011 |
| C65 | Bushing 29.8mm od center support (front) | 1 | 81-90 | 8634907 | 32019 |
| C66 | Bushing 33.8mm od center support (rear) | 1 | 81-90 | 8634913 | 32020 |
| C67 | Bushing 58.0mm od direct clutch drum (front) | 1 | 81-90 | 8634919 | 32000A |
| C68 | Bushing 1.886" od 47.64mm direct clutch drum (rear) | 1 | 81-90 | 88634918 | 32001 |
| D69 | Bushing front internal gear (long) | 1 | 81-90 | 8630990 | 32002A |
| E70 | Bushing rear sun gear | 1 | 81-90 | 8628928 | 32007 |
| E71 | Bushing low/reverse clutch housing | 1 | 81-90 | 8628929 | 32008 |
| F72 | Bushing rear planetary | 1 | 81-90 | 8628947 | 32004 |
| G73 | Bushing (babbit) 1.626" od extension housing | 1 | 81-90 | 6260048 | 8008A |
| G73 | Bushing (bronze w/dimples) extension housing (w/27 spline output) | 1 | 81-90 | 6260048 | 8008 |
| D74 | Bushing forward clutch housing | 1 | 81-90 | 8634925 | 32015 |
| WASHERS/BEARINGS/RACES/SHIMS | | | | | |
| K12 | Kit, bearing TH200-4R | 1 | 81-90 | AE | K32906M |
| K14 | Kit, thrust washer inc 1 selective per group | 1 | 81-90 | AE | K32907M |
| K14 | Kit, thrust washer TH200-4R | 2 | 81-90 | AE | K51442 |
| K14 | Kit, planetary carrier washer 1 each selective | 1 | 81-90 | AE | K32907B |
| K14 | Kit, planetary carrier washer 1 each selective | 1 | 81-90 | AE | K32907A |
| C75 | Thrust washer internal gear to center support | 1 | 81-90 | 8634146 | 32420 |
| C76 | Thrust washer center support to direct drum | 1 | 81-90 | 8634157 | 32421 |
| D77 | Thrust washer direct drum to forward housing | 1 | 81-90 | 8628091 | 32402 |
| D78 | Thrust washer selective washer to front internal gear | 1 | 76-87 | 8628765 | 32403 |
| E79 | Washer, thrust (metal) .060" (4 tabs) drive shell to low/reverse housing | 1 | 81-90 | 8628549 | 32406 |
| E79 | Washer, thrust (plastic) .060" (4 tabs) drive shell to low/reverse housing | 1 | 81-90 | 8628766 | 32406A |
| E79 | Thrust washer (plastic) .080" drive shell to low/reverse housing (thick) | ar | 81-90 | 86287660S | 32406X |
| F80 | Thrust washer (plastic) low roller clutch race to rear planetary | 1 | 81-90 | 8628182 | 32408 |
| F80 | TB, rear carrier to low race low roller clutch race to rear planetary | 1 | 84-90 | 8648389 | 32408A |
| F81 | Thrust washer (metal) rear planetary to rear internal gear | 1 | 81-90 | 8628188 | 32409 |
| A82 | TW (plastic) .169" (scarlet #1) overdrive housing to pump | sel | 81-90 | 8634120 | 32600 |
| A82 | TW (plastic) .174" (white #2) overdrive housing to pump | sel | 81-90 | 8634121 | 32600A |
| A82 | TW (plastic) .178" (brown #3) overdrive housing to pump | sel | 81-90 | 8634122 | 32600B |
| A82 | TW (plastic) .184" (gray #4) overdrive housing to pump | sel | 81-90 | 8634123 | 32600C |
| A82 | TW (plastic) .188" (yellow #5) overdrive housing to pump | sel | 81-90 | 8634124 | 32600D |
| A82 | TW (plastic) .193" (blue #6) overdrive housing to pump | sel | 81-90 | 8634125 | 32600E |
| A82 | TW (plastic) .198" (purple/pink #7) overdrive housing to pump | sel | 81-90 | 8634386 | 32600F |
| A82 | TW (plastic) .202" (orange/black #8) overdrive housing to pump | sel | 81-90 | 8634387 | 32600G |
| A82 | TW (plastic) .207" 5.20mm (green #9) overdrive housing to pump | sel | 81-90 | 8634388 | 32600H |
| D83 | TW (plastic) .068" (white #1) forward housing to output shaft | sel | 76-90 | 8639291 | 32400 |
| D83 | TW (plastic) .073" (neutral #2) forward housing to output shaft | 1 | 81-90 | 8639292 | 32400A |
| D83 | TW (plastic) .078" (black #3) forward housing to output shaft | 1 | 81-90 | 8639293 | 32400B |
| D83 | TW (plastic) .083" (green #4) forward housing to output shaft | 1 | 81-90 | 8639294 | 32400C |

TH200-4R•200-4R

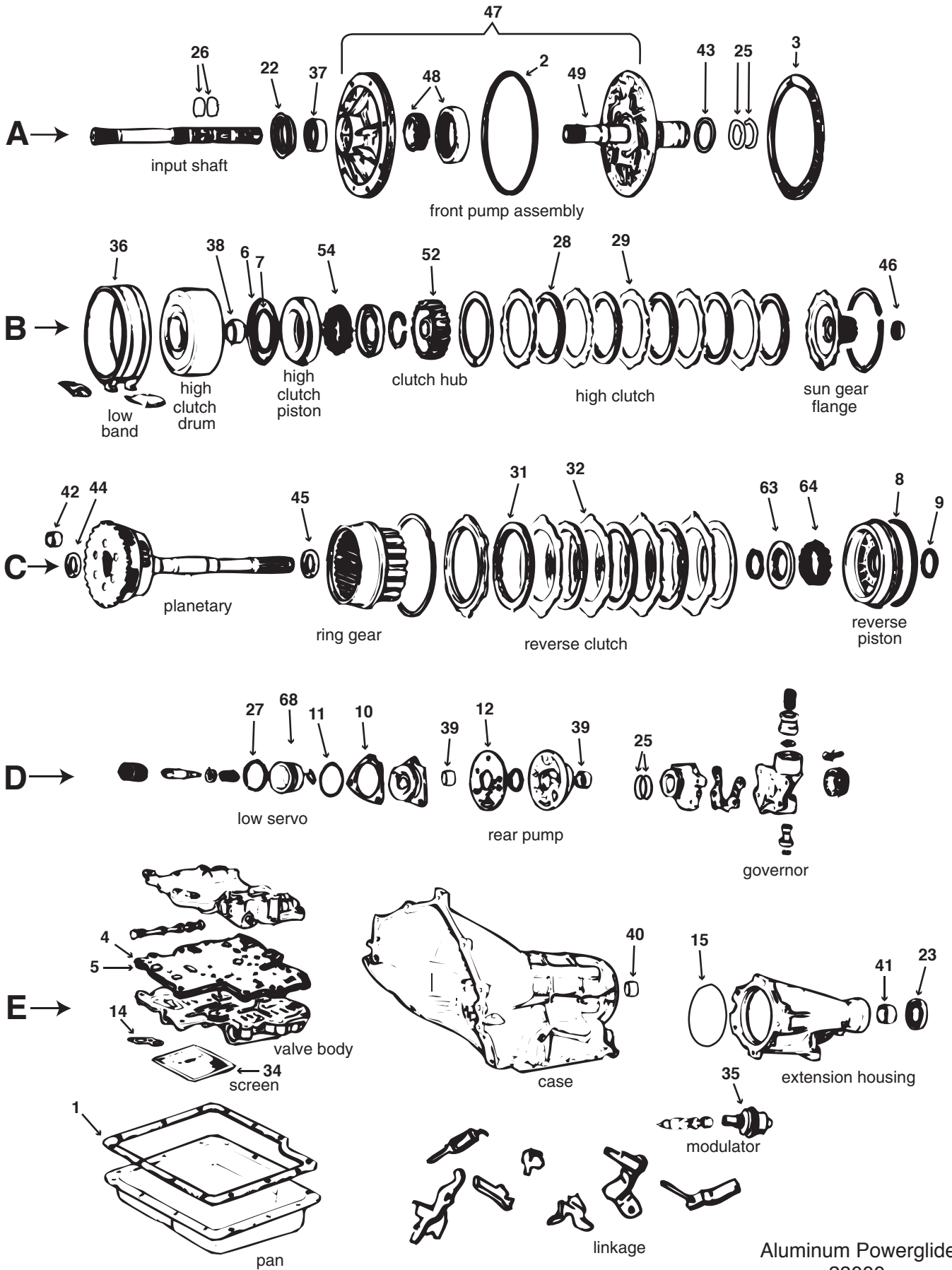
TH200-4R

| ILL | DESCRIPTION | QTY | YEAR | REFERENCE # | PART # |
|---|------------------------------------|------|-------|-------------|----------|
| WASHERS/BEARINGS/RACES/SHIMS (CONTINUED) | | | | | |
| D83 | TW (plastic) .088" (red #5) | 1 | 81-90 | 8639295 | 32400D |
| D83 | TW (plastic) .093" (purple #6) | 1 | 81-90 | 8639296 | 32400E |
| D83 | TW (plastic) .098" (brown #7) | 1 | 81-90 | 8639297 | 32400F |
| D83 | TW (plastic) .103" (orange #8) | 1 | 81-90 | 8639298 | 32400G |
| D83 | TW (plastic) .108" (yellow #9) | 1 | 81-90 | 8639299 | 32400H |
| D83 | TW (plastic) .113" (lt blue #10) | 1 | 81-90 | 8639300 | 32400J |
| D83 | TW (plastic) .118" (lt tan #11) | 1 | 81-90 | 8639301 | 32400K |
| D83 | TW (plastic) .123" (tan #12) | 1 | 81-90 | 8639302 | 32400L |
| D83 | TW (plastic) .128" (rose #13) | 1 | 81-90 | 8639303 | 32400M |
| D83 | TW (plastic) .133" (lt green #14) | 1 | 81-90 | 8639304 | 32400N |
| D83 | TW (plastic) .138" (smoke #15) | 1 | 81-90 | 8639305 | 32400P |
| D84 | TW (metal) .117" (orange #1) | 1 | 81-90 | 8628161 | 32212 |
| D84 | TW (metal) .124" (white #2) | 1 | 81-90 | 8628162 | 32212A |
| D84 | TW (metal) .131" (yellow #3) | 1 | 81-90 | 8628163 | 32212B |
| D84 | TW (metal) .138" (yellow #4) | 1 | 81-90 | 8628164 | 32212C |
| D84 | TW (metal) .145" (red #5) | 1 | 81-90 | 8628165 | 32212D |
| D84 | TW (metal) .152" (brown #6) | 1 | 81-90 | 8628166 | 32212E |
| D84 | TW (metal) .159" (green #7) | 1 | 81-90 | 8628167 | 32212F |
| D84 | TW (metal) .166" (black #8) | 1 | 81-90 | 8628168 | 32212G |
| D84 | TW (metal) .173" (pink #9) | 1 | 81-90 | 8628169 | 32212H |
| D84 | TW (metal) .100" (gold #10) | 1 | 81-90 | 8630911 | 32212J |
| B85 | Bearing, thrust | 1 | 81-90 | 8634035 | 32425B |
| B86 | Bearing, thrust | 1 | 81-90 | 8634035 | 32425B |
| E87 | Bearing, thrust | 1 | 81-90 | 8628202 | 32404 |
| E88 | Bearing, thrust | 1 | 81-90 | 8633875 | 32405 |
| F89 | Bearing, thrust | 1 | 81-90 | 8628962 | 32409A |
| SNAP RINGS | | | | | |
| E121 | Snap ring | 1 | 81-90 | 8623105 | 32733-R |
| PUMP PARTS AND PUMPS | | | | | |
| K10 | NoYoYo® pump ring kit | 1 | 81-90 | 700-PK™ | K32804 |
| K10 | NoYoYo® pump ring kit | 1 | 81-90 | 700-PKH™ | K32804H |
| K10 | Pump ring kit | 1 | 81-90 | K77877 | S32804 |
| K38 | Kit, pump springs | 1 | 81-90 | AE | 32879 |
| K43 | Kit, vane and ring (7 vane) | 1 | 81-86 | 8634904 | K32801 |
| K43 | Kit, vane and ring (10 vanes) | 1 | 81-90 | 8631280 | K32801A |
| K43 | Kit, rotor slide, guide (10 vanes) | 1 | 81-90 | AE | K32800A |
| A90 | Pump assembly | 1 | 81-90 | AE | 32200C-R |
| A91 | Guide, rotor (7 vane type) | 1 | 81-86 | 8654733 | 32422 |
| A91 | Guide, rotor (10 vane type) | 1 | 87-90 | 12337830 | 32422A |
| A92 | Valve, pressure regulator | 1 | 81-90 | 8637546 | 61964 |
| A94 | Shaft, stator (heat treated) | 1 | 81-90 | 65917S | 32969M |
| A95 | Slide, pump .709"-.710" | 1 | 81-90 | 8634083 | 32803 |
| A96 | Vane, pump | 7/10 | 81-90 | 8631280 | 32800 |
| A96 | Rotor, pump (10 vane) | 1 | 81-90 | 8654389 | 32802A |
| F98 | Ring, pump vane (solid) | 2 | 81-90 | 8634086 | 32322 |
| F98 | Ring, pump vane (solid) | 2 | 81-90 | 8634086SP | 32322SP |
| HARD PARTS | | | | | |
| B99 | Gear, sun | 1 | 81-90 | 8634033 | 32833-R |
| B100 | Planetary | 1 | 81-90 | 8678912 | 32817-R |
| B102 | Housing, overdrive clutch | 1 | 81-90 | 8634107 | 32723M-R |
| B103 | Piston | 1 | 81-90 | 8634110 | 32724M-R |
| C104 | Support, center | 1 | 81-90 | 8634140 | 32748M-R |
| C105 | Housing, direct clutch | 1 | 81-90 | 8634916 | 32726M-R |

| ILL | DESCRIPTION | QTY | YEAR | REFERENCE # | PART # |
|-------------------------------|---|-----|-------|-------------|----------|
| HARD PARTS (CONTINUED) | | | | | |
| D106 | Housing, forward clutch | 1 | 81-90 | 8634926 | 32725M-R |
| E107 | Housing, low/reverse | 1 | 81-90 | 8628212 | 32727-R |
| E109 | Race, inner | 1 | 81-90 | 8628184 | 32430-R |
| G110 | Governor, assembly | 1 | 81-90 | 8634927 | 32827-R |
| D113 | Gear, front internal | 1 | 81-90 | 8639947 | 32748-R |
| E114 | Planetary | 1 | 81-90 | 8628174 | 32747-R |
| E115 | Gear, sun | 1 | 81-90 | 8628190 | 32728A-R |
| E116 | Shell, drive | 1 | 81-90 | 8648484 | 32729 |
| E116 | Shell, drive | 1 | 81-90 | 8648484 | 32729-R |
| F117 | Planetary | 1 | 81-90 | 8657064 | 32730A-R |
| C118 | Guide, for retainer w/springs | 1 | 81-90 | 8630195 | 32751-R |
| E119 | Gear, sun | 1 | 81-90 | 8628206 | 32728B-R |
| F120 | Gear, rear internal | 1 | 81-90 | 8628196 | 32749-R |
| G128 | Filler tube repair | 1 | 81-90 | M99100A | 96-140A |
| D129 | Retainer, w/springs | 1 | 81-90 | 8628492 | 32751A-R |
| C130 | Guide, for retainer w/springs | 1 | 81-90 | 8630096 | 32751-R |
| B131 | Retainer, spring | 1 | 81-90 | 8634061 | 32961-R |
| C132 | Retainer, w/springs | 1 | 81-90 | 8634022 | 32751C-R |
| E133 | Spring, waved | 1 | 81-90 | 8628222 | 32551-R |
| B134 | Spring, waved | 1 | 81-90 | 8634116 | 32551A-R |
| B136 | Cam (inner race) | 1 | 81-90 | 8634038 | 32838-R |
| G145 | Spring (purple) | 1 | 81-90 | 8634163 | 61706 |
| G145 | Spring (red) | 1 | 81-90 | 8634703 | 61706C |
| G146 | Spring | 1 | 81-85 | 8634391 | 32891 |
| G161 | Piston, (w/seal)(lg pin) | 1 | 81-90 | 8635909 | K61985 |
| G155 | Valve body spacer plate | 1 | 81-87 | 8639139 | 8639139 |
| G155 | Valve body spacer plate | 1 | 81-90 | 8657010 | 8657010 |
| G156 | Cable, detent | 1 | 77-90 | K65940U | 63-399 |
| n/i | Check valve w/ball | 1 | 81-90 | 8633748 | 32764 |
| n/i | Pin, servo extendo | 1 | 81-90 | 65786E | 32708E |
| n/i | Pin, throttle valve boost | 1 | 81-90 | M12712 | 51966 |
| n/i | Super servo | 1 | 81-90 | K014 | 32986 |
| ELECTRICAL COMPONENTS | | | | | |
| A160 | Solenoid (PT, IG1) | 1 | 82-90 | 8634967 | 5A-118 |
| A160 | Solenoid (PT,EG,W/4) | 1 | 82-90 | 8634960 | 5A-119 |
| A160 | Solenoid (w/diode posi-lock connectors) | 1 | 82-90 | K-77929U | 5A-144 |
| A160 | Solenoid (PT, 1G2, W/GR) | 1 | 84-87 | 8634961 | 5A-120 |
| A160 | Solenoid (PT, EG, W/4, W/GR) | 1 | 84-90 | 8639900 | 5A-122 |
| A160 | Solenoid | 1 | 84-90 | 8639901 | 5A-121 |
| G161 | Connector, electrical (3 terminal square) | 1 | 81-90 | 8634383 | 25A-103 |
| G161 | Connector, electrical (4 terminal square) | 1 | 82-90 | 8635152 | 25A-104 |
| n/i | Switch, pressure (1 terminal) | 1 | 81-90 | 8634475 | 15A-112 |
| n/i | Switch, pressure (2 terminals) | 1 | 81-90 | 8634333 | 15A-111 |
| n/i | Switch (w/tube) | 1 | 81-90 | 8634463 | 15A-116 |
| n/i | Switch (w/tube 2 prongs) | 1 | 82-90 | 8634853 | 15A-117 |
| n/i | Switch, pressure (non-grounding) | 1 | 82-90 | 15A-133 | 15A-133 |
| SPRAGS | | | | | |
| F108 | Sprag, roller clutch | 1 | 81-90 | 8628183 | 32502 |
| B135 | Roller clutch | 1 | 81-90 | 8634049 | 32849 |
| SPEEDO GEARS | | | | | |
| G125 | Gear, speedo 13T (plastic) | 1 | 81-90 | 8634934 | 02-256 |
| G125 | Gear, speedo 12T (plastic) | 1 | 81-90 | 8634935 | 02-258 |
| G125 | Gear, speedo 14T (plastic) | 1 | 81-90 | 8634965 | 02-260 |

Aluminum Powerglide

Aluminum Powerglide



Aluminum Powerglide
28000

Aluminum Powerglide

Aluminum Powerglide

| ILL | DESCRIPTION | QTY | YEAR | REFERENCE # | PART # |
|--------------------------------------|---|-----|-------|-------------|-----------|
| REBUILDER KITS | | | | | |
| K4 | Master deluxe rebuild kit | 1 | 62-73 | AE | K2800B-R |
| K4 | Master deluxe rebuild kit | 1 | 62-73 | AE | H2800B-R |
| K5 | Master kit w/steels | 1 | 62-73 | AE | K2800B |
| K6 | Master kit w/o steels | 1 | 62-73 | AE | K2800B-LS |
| K7 | O/H gasket set w/seals-rings | 1 | 62-73 | AE | K28900 |
| K7 | O/H gasket set w/seals-rings | 1 | 62-73 | AE | K28900HP |
| K8 | External seal kit | 1 | 62-73 | AE | K28900-2 |
| K11 | Gasket and seal kit | 1 | 62-73 | AE | K28900-1 |
| VALVE BODY KITS | | | | | |
| K15 | Valve body kit standard and competition | 1 | 62-73 | PG-2S | PG-2S |
| K15 | Transpak™ (performance) | 1 | 62-73 | 70228 | 114-70228 |
| GASKETS AND RUBBER COMPONENTS | | | | | |
| E1 | Gasket, oil pan | 1 | 62-73 | 3789148 | 3758LX |
| E1 | Gasket, oil pan | 1 | 62-73 | 3789148 | 3758D |
| A2 | Seal, lathe cut | 1 | 62-73 | 3789013 | 3808L |
| A3 | Gasket | 1 | 62-73 | 3789022 | 3762L |
| E4 | Gasket, valve body | 1 | 67-73 | 3840330 | 13252 |
| E5 | Gasket, valve body | 1 | 67-73 | 3840331 | 13252 |
| B6 | Lip seal | 1 | 62-73 | 3558874 | 3107L |
| B7 | Lip seal | 1 | 62-73 | 3826034 | 3807L |
| C8 | Seal, lathe cut | 1 | 62-73 | 3812831 | 3774L |
| C9 | Seal, lathe cut | 1 | 62-73 | 3812830 | 3773L |
| D10 | Gasket | 1 | 62-73 | 3789086 | 3763L |
| D11 | O'ring | 1 | 62-73 | 3789087 | 3764L |
| D12 | Gasket | 1 | 67-73 | 3987943 | 13306 |
| D12 | Gasket (high performance) | 1 | 62-73 | 3987943HP | 13306HP |
| E14 | Gasket | 1 | 62-73 | 3795990 | 3759L |
| E15 | O'ring | 1 | 62-73 | 3789056 | 3760L |
| D27 | O'ring | 2 | 62-73 | 28821-OR | 23799 |
| n/i | Gasket | 1 | 62-73 | 6257218 | 3543L |
| n/i | Gasket | 1 | 62-73 | n/a | 3947L |
| n/i | O'ring | 1 | 62-73 | 6255641 | 3291L |
| n/i | O'ring | 1 | 62-73 | 8526398 | 13268B |
| n/i | Washer, coated | 7 | 62-73 | 3884683 | 13268A |
| n/i | O'ring | 1 | 62-73 | 3708146 | 3410L |
| METAL CLAD SEALS | | | | | |
| A22 | Seal, metal clad | 1 | 62-73 | 8670283 | 38151A |
| E23 | Seal, metal clad 60x38x12mm | 1 | 62-73 | 1386231 | 8850B |
| n/i | Seal, metal clad | 1 | 62-73 | 3789137 | 3768L |
| SEALING RINGS | | | | | |
| K10 | Kit, sealing ring | 1 | 62-73 | AE | K28902 |
| K10 | Kit, sealing ring | 1 | 62-73 | AE | K28902HP |
| AD25 | Ring, sealing | 4 | 62-73 | 3689808 | 8200 |
| A26 | Ring, sealing | 2 | 62-73 | 3817715 | 5301A |
| D27 | Ring, sealing | 1 | 62-73 | 3789084 | 18608A |
| CLUTCH PLATES | | | | | |
| B28 | Friction .098" 5.062" od 43T | 2/4 | 62-73 | 3779904 | 18305B |
| B28 | Friction. 098" 5.062" od 43T | 5 | 62-73 | 3779904HP | 18305H |
| B28 | Friction .060" 5.062" od 43T | 6/8 | 62-73 | 3779904US | 18305X |
| B29 | Steel .070" 3.874" id 12T | 3/5 | 62-73 | 3783287 | 18306B |
| B29 | Steel .070" 3.874" id 12T (Kolene®) | ar | 62-73 | 3783287 | 18306K |
| B29 | Steel .060" 3.874" id 12T | ar | 62-73 | 3783287 | 28306 |
| C31 | Friction .097" 6.463" od 25T | 3/6 | 62-73 | 3832386 | 18506 |

Aluminum Powerglide

Aluminum Powerglide

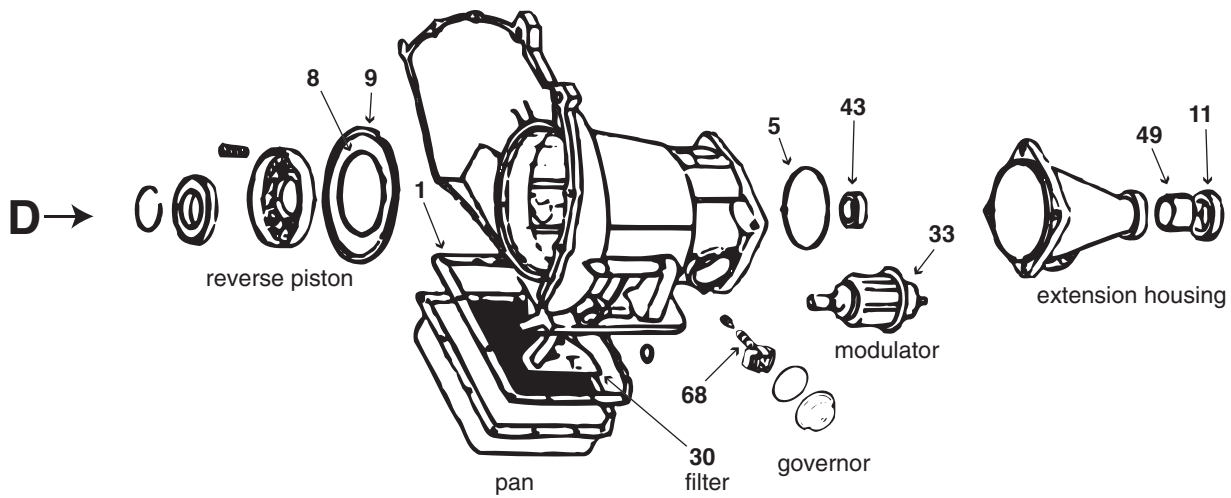
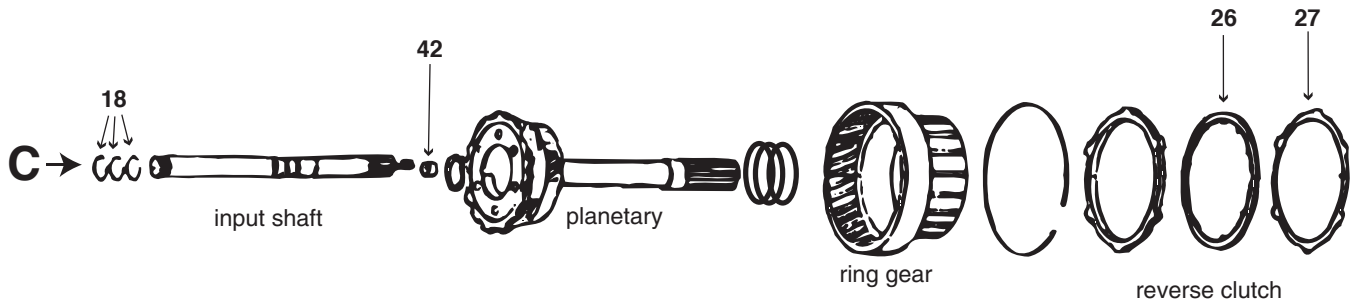
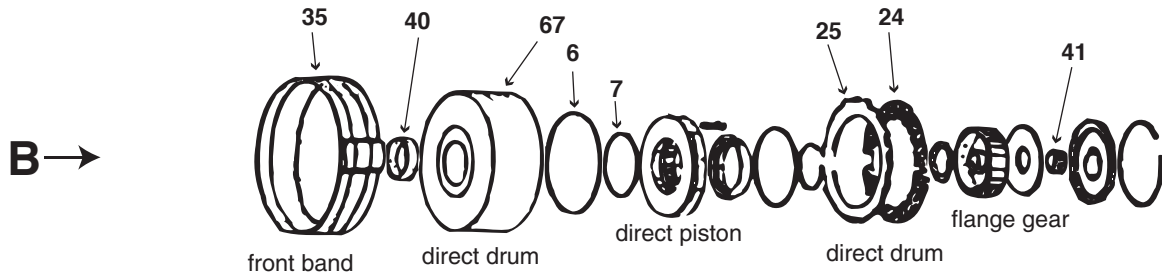
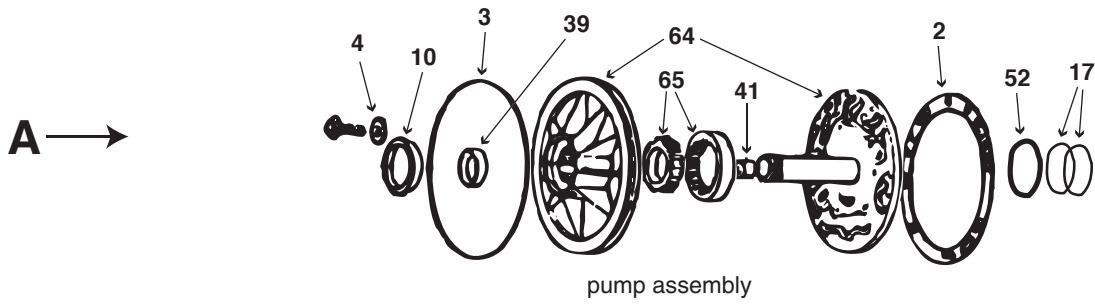
| ILL | DESCRIPTION | QTY | YEAR | REFERENCE # | PART # |
|-------------------------------------|---|-----|-------|-------------|----------|
| CLUTCH PLATES (CONTINUED) | | | | | |
| C31 | Friction .097" 6.463" od 25T reverse clutch (brown/high performance) | 3/6 | 62-73 | 3832386 | 18506H |
| C32 | Steel .070" 5.727" id 6T reverse clutch | 2/6 | 62-73 | 6256553 | 18507A |
| C32 | Steel .070" 5.727" id 6T (Kolene®) reverse clutch | ar | 62-73 | 6256553 | 18507K |
| FILTERS | | | | | |
| K9 | Kit, filter Duraprene® | 1 | 62-73 | AE | DK28739A |
| K9 | Kit, filter neoprene/cork | 1 | 62-73 | AE | FK28739A |
| E34 | Filter, screen Aluminum Powerglide | 1 | 62-73 | 6263005 | 28739A |
| MODULATORS | | | | | |
| E35 | Modulator, fully adjustable Aluminum Powerglide | 1 | 63-73 | 5638205 | 28738X |
| BANDS | | | | | |
| B36 | Band (double wrap) low brake | 1 | 62-73 | 3883918 | 8314A-RL |
| B36 | Band (double wrap)(high performance) low brake | 1 | 62-73 | 3883918 | 8314A |
| BUSHINGS | | | | | |
| K13 | Kit, bushing aluminum powerglide | 1 | 62-73 | AE | K28901 |
| A37 | Bushing (babbit) front pump body | 1 | 62-73 | 8623940 | 8005 |
| B38 | Bushing (babbit) direct clutch | 1 | 62-73 | 3840760 | 32005 |
| B38 | Bushing, direct clutch drum for alignment of refinished pump diameter | 1 | 62-73 | 3840760 | 28005X |
| D39 | Bushing rear pump body/governor support | 1/2 | 62-73 | 3789877 | 28001 |
| E40 | Bushing case | 1 | 62-73 | 3789009 | 28002 |
| E41 | Bushing (babbit) 1.626" od extension housing | 1 | 62-73 | 6260048 | 8008A |
| E41 | Bushing (bronze w/dimples) extension housing (w/27 spline output) | 1 | 62-73 | 6260048 | 8008 |
| C42 | Bushing output shaft pilot | 1 | 62-73 | 3789034 | 8004 |
| B46 | Bushing, bronze (not in kit) sun gear (19T spline/restores alignment) | 1 | 62-73 | 8436 | 28006 |
| n/i | Bushing (not in kit) stator (use with turbo shafts) | 1 | 62-73 | 35007 | 34002 |
| WASHERS/BEARINGS/RACES/SHIMS | | | | | |
| A43 | Thrust washer tri-metal direct drum | 1 | 62-73 | 28406C | 28406C |
| C44 | Bearing, thrust new manufacture (sun gear to carrier) | 1 | 62-73 | 28321 | 28400 |
| C45 | Bearing, thrust carrier to case | 1 | 62-73 | 28438 | 28402 |
| n/i | Thrust washer (bronze self lubricating) rear sun gear (replaces OEM) | 1 | 62-73 | 38208 | 28409 |
| n/i | Bearing, needle pinion (1.76 ratio planetary) | 1 | 62-73 | 28413 | K28340 |
| n/i | Bearing, needle pinion (1.82 ratio planetary) | 1 | 62-73 | 8413 | K28341 |
| n/i | Thrust washer front pinion (1.76 ratio planetary) | 1 | 62-73 | 8415 | 28410 |
| n/i | Thrust washer rear pinion (1.76 ratio planetary) | 1 | 62-73 | 8415B | 28411 |
| n/i | Thrust washer front pinion (1.82 ratio planetary) | 1 | 62-73 | 8415A | 28412 |
| PUMP PARTS AND PUMPS | | | | | |
| A47 | Pump assembly, front water cooled | 1 | 62-73 | AE | 28200-R |
| A48 | Gear set, front pump Aluminum Powerglide | 1 | 62-73 | AE | K28201 |
| HARD PARTS | | | | | |
| A49 | Stator support shaft bored to accept input shaft bushing | 1 | 62-73 | 28154S | 28969 |
| B52 | Hub (lightweight forged steel) direct clutch | 1 | 62-73 | 28304 | 28500 |
| B54 | Spring, return (assures reliability) direct clutch (with OEM specifications) | 1 | 62-73 | 28320 | 28302 |
| C63 | Retainer, spring (high performance loads) reverse clutch | 1 | 62-73 | 28709 | 28503 |
| C64 | Spring, return (high load rate) reverse clutch (for instant brake release) | 1 | 62-73 | 28320A | 28303 |
| D68 | Servo piston kit, w/gasket and O'rings dual rings to prevent leakage | 1 | 62-73 | 28821-01K | K28528 |
| n/i | Pinion pin kit 1.76 ratio (no machining required) | 1 | 62-73 | 28435K | K28330 |
| n/i | Screw, band adjustment, hardened, tempered fixes case breakage/w/high servo force | 1 | 62-73 | 28612K | 28510 |
| n/i | Spacer kit, pinion needle 1.76 ratio | 1 | 62-73 | K28414 | K28345 |
| n/i | Case, saver repairs case lugs | 1 | 62-73 | 19300UPG | K28790 |
| ELECTRICAL COMPONENTS | | | | | |
| n/i | Switch, control spark smog 1 prong (exc Chevrolet) | 1 | 70-71 | 6462514 | 15A-101 |
| n/i | Switch, control spark smog 3 prongs | 1 | 70-71 | 3996287 | 15A-103 |
| NOTES | | | | | |

ENGINE CONVERSION CHART

| CU. IN. | LITRE | CYL. | CU. IN. | LITRE | CYL. | CU. IN. | LITRE | CYL. |
|---------|-------|------|---------|-------|-------|---------|-------|------|
| 61 | 1.0L | 3 | 204 | 3.3L | L6 | 350 | 5.7L | V8 |
| 67 | 1.1L | 4 | 207 | 3.4L | V6 | 351 | 5.8L | V8 |
| 73 | 1.2L | 4 | 215 | 3.5L | L6 | 352 | 5.8L | V8 |
| 85 | 1.4L | 4 | 221 | 3.6L | V6 | 354 | 5.8L | V8 |
| 92 | 1.5L | 4 | 223 | 3.7L | L6 | 359 | 5.9L | V8 |
| 96 | 1.5L | 4 | 225 | 3.7L | L6 | 360 | 5.9L | 6/V8 |
| 97 | 1.6L | 4 | 229 | 3.8L | V6 | 361 | 5.9L | V8 |
| 98 | 1.6L | 4 | 230 | 3.8L | V6 | 366 | 6.0L | V8 |
| 104 | 1.7L | 4 | 231 | 3.8L | V6 | 368 | 6.0L | V8 |
| 105 | 1.7L | 4 | 232 | 3.8L | V6 | 370 | 6.1L | V8 |
| 107 | 1.8L | 4 | 239 | 3.9L | 6/V6 | 379 | 6.2L | V8 |
| 109 | 1.8L | 4 | 240 | 3.9L | L6 | 381 | 6.2L | V8 |
| 110 | 1.8L | 4 | 241 | 4.0L | V8 | 383 | 6.3L | V8 |
| 112 | 1.8L | 4 | 242 | 4.0L | L6 | 389 | 6.4L | V8 |
| 116 | 1.9L | 4 | 243 | 4.0L | L6 | 390 | 6.4L | V8 |
| 119 | 1.9L | 4 | 245 | 4.0L | V6 | 391 | 6.4L | V8 |
| 121 | 2.0L | 4 | 250 | 4.1L | 6/V6 | 392 | 6.4L | V8 |
| 122 | 2.0L | 4 | 252 | 4.1L | L6 | 394 | 6.5L | V8 |
| 126 | 2.1L | 4 | 255 | 4.2L | V8 | 396 | 6.5L | V8 |
| 132 | 2.2L | 4 | 256 | 4.2L | V8 | 400 | 6.6L | V8 |
| 133 | 2.2L | 4 | 258 | 4.2L | L6 | 401 | 6.6L | V8 |
| 134 | 2.2L | 4 | 260 | 4.3L | V6/V8 | 402 | 6.6L | V8 |
| 135 | 2.2L | 4 | 262 | 4.3L | 6/V8 | 403 | 6.6L | V8 |
| 138 | 2.3L | 4 | 265 | 4.3L | V8 | 406 | 6.7L | V8 |
| 140 | 2.3L | 4 | 267 | 4.4L | V8 | 408 | 6.7L | V8 |
| 144 | 2.4L | L6 | 270 | 4.4L | V6 | 410 | 6.7L | V8 |
| 146 | 2.4L | L6 | 273 | 4.5L | V8 | 413 | 6.8L | V8 |
| 150 | 2.5L | 4 | 280 | 4.6L | V8 | 420 | 6.9L | V8 |
| 151 | 2.5L | 4 | 283 | 4.6L | V8 | 421 | 6.9L | V8 |
| 153 | 2.5L | 4 | 289 | 4.7L | V8 | 425 | 7.0L | V8 |
| 156 | 2.6L | 4 | 292 | 4.8L | L6 | 426 | 7.0L | V8 |
| 159 | 2.6L | 4 | 300 | 4.9L | 6/V8 | 427 | 7.0L | V8 |
| 170 | 2.8L | L6 | 301 | 4.9L | V8 | 428 | 7.0L | V8 |
| 171 | 2.8L | V6 | 302 | 5.0L | V8 | 429 | 7.0L | V8 |
| 173 | 2.8L | V6 | 304 | 5.0L | V8 | 430 | 7.0L | V8 |
| 177 | 2.9L | L6 | 305 | 5.0L | V8 | 432 | 7.1L | V8 |
| 179 | 2.9L | V6 | 307 | 5.0L | V8 | 440 | 7.2L | V8 |
| 181 | 3.0L | V6 | 312 | 5.1L | V8 | 446 | 7.3L | V8 |
| 183 | 3.0L | L6 | 318 | 5.2L | V8 | 454 | 7.4L | V8 |
| 189 | 3.1L | L6 | 326 | 5.3L | V8 | 455 | 7.5L | V8 |
| 190 | 3.1L | L6 | 327 | 5.3L | V8 | 460 | 7.5L | V8 |
| 194 | 3.2L | L6 | 330 | 5.4L | V8 | 472 | 7.7L | V8 |
| 195 | 3.2L | V6 | 331 | 5.4L | V8 | 475 | 7.8L | V8 |
| 196 | 3.2L | V6 | 332 | 5.4L | V8 | 477 | 7.8L | V8 |
| 198 | 3.2L | L6 | 340 | 5.6L | V8 | 500 | 8.2L | V8 |
| 200 | 3.3L | 6/V6 | 341 | 5.6L | V8 | | | |
| 201 | 3.3L | L6 | 348 | 5.7L | V8 | | | |

NOTE: For any engine not listed above, use the following multipliers for proper conversion:

CC to CU. IN. - Multiply by .061395
 CU. IN. to CC - Multiply by 16.38703
 CU. IN. to LITERS - Multiply by .016395
 LITERS to CU. IN. - Multiply by 61.025



TH300/Super Turbine
38000

| ILL | DESCRIPTION | QTY | YEAR | REFERENCE # | PART # |
|--------------------------------------|-------------------------------------|-----|-------|-------------|-----------|
| REBUILDER KITS | | | | | |
| K4 | Master deluxe rebuild kit | 1 | 64-69 | AE | K3800A-R |
| K5 | Master kit w/steels | 1 | 64-69 | AE | K3800A |
| K6 | Master kit w/o steels | 1 | 64-69 | AE | K3800A-LS |
| K7 | O/H gasket set w/seals-rings | 1 | 64-69 | AE | K38900 |
| K11 | Gasket and seal kit | 1 | 64-69 | AE | K38900-1 |
| GASKETS AND RUBBER COMPONENTS | | | | | |
| D1 | Gasket, oil pan | 1 | 64-69 | 1376720 | 3897LX |
| D1 | Gasket, oil pan | 1 | 64-69 | 1374598 | 3897D |
| A2 | Gasket | 1 | 64-69 | 1374598 | 3878L |
| A3 | Seal, lathe cut | 1 | 64-69 | 6261413 | 3877L |
| A4 | Washer, coated | 8 | 64-69 | 3884683 | 13268A |
| D5 | Seal, lathe cut | 1 | 64-69 | 1358899 | 3896L |
| B6 | Lip seal | 1 | 64-69 | 1362832 | 3107L |
| B7 | Lip seal | 1 | 64-69 | 3826034 | 3889L |
| D8 | Seal, lathe cut | 1 | 64-69 | 3799008 | 3773L |
| D9 | Seal, lathe cut | 1 | 64-69 | 3812831 | 3774L |
| n/i | Gasket (neoprene/cork) | 1 | 64-69 | 1359113 | 3898L |
| n/i | Lip seal w/spring | 1 | 64-69 | 2538588 | 3991L |
| n/i | Lip seal w/o spring | 1 | 64-69 | 1494356 | 3991LS |
| n/i | O'ring | 1/2 | 64-69 | 8619568 | 3410L |
| n/i | O'ring | 1 | 64-69 | 1363951 | 3547L |
| n/i | O'ring | 1 | 64-69 | 6264902 | 3291L |
| n/i | O'ring | 1 | 64-69 | 1359319 | 3126L |
| n/i | Gasket, valve body | 1 | 64-69 | 1378520 | 3905L |
| n/i | Seal, lathe cut | 1 | 64-69 | 1191493 | 3475L |
| METAL CLAD SEALS | | | | | |
| A10 | Seal, metal clad | 1 | 64-69 | 8670283 | 38151A |
| C11 | Seal, metal clad 60x38x12mm | 1 | 64-69 | 3871649 | 8850B |
| n/i | Seal, metal clad | 1 | 64-69 | 8623056 | 38511 |
| SEALING RINGS | | | | | |
| K10 | Kit, sealing ring | 1 | 64-69 | AE | K38903 |
| A17 | Ring, sealing | 2 | 64-69 | 3689808 | 8200 |
| C18 | Ring, sealing | 3 | 64-69 | 1942041 | 22626 |
| n/i | Ring, sealing | 1 | 64-69 | 1372058 | 38170 |
| CLUTCH PLATES | | | | | |
| A24 | Friction .098" 5.062" od 43T | 4/6 | 64-69 | 3779904 | 18305B |
| A24 | Friction. 098" 5.062" od 43T | 4/6 | 64-69 | 3779904HP | 18305H |
| A25 | Steel .070" 3.874" id 12T | 5/7 | 64-69 | 3783287 | 18306B |
| A25 | Steel .070" 3.874" id 12T (Kolene®) | 5/7 | 64-69 | 3783287K | 18306K |
| A25 | Steel .060" 3.874" id 12T | ar | 64-69 | 3783287US | 28306 |
| C26 | Friction .097" 6.463" od 25T | 4/6 | 64-69 | 1375558 | 18506 |
| C26 | Friction .097" 6.463" od 25T | 4/6 | 64-69 | 8641512HP | 18506H |
| C27 | Steel .070" 5.727" id 6T | 6 | 64-69 | 1379373 | 18507A |
| C27 | Steel .070" 5.727" id 6T (Kolene®) | 6 | 64-69 | 1379373 | 18507K |
| FILTERS | | | | | |
| K9 | Kit, filter | 1 | 64-69 | 6438817 | DK38661 |
| K9 | Kit, filter | 1 | 64-69 | 6438817 | FK38661 |
| D30 | Filter | 1 | 64-69 | 1374649 | 38661 |
| MODULATORS | | | | | |
| D33 | Modulator, single red stripe | 1 | 64-69 | 3035519 | 38820S |
| | | | | | |
| | | | | | |

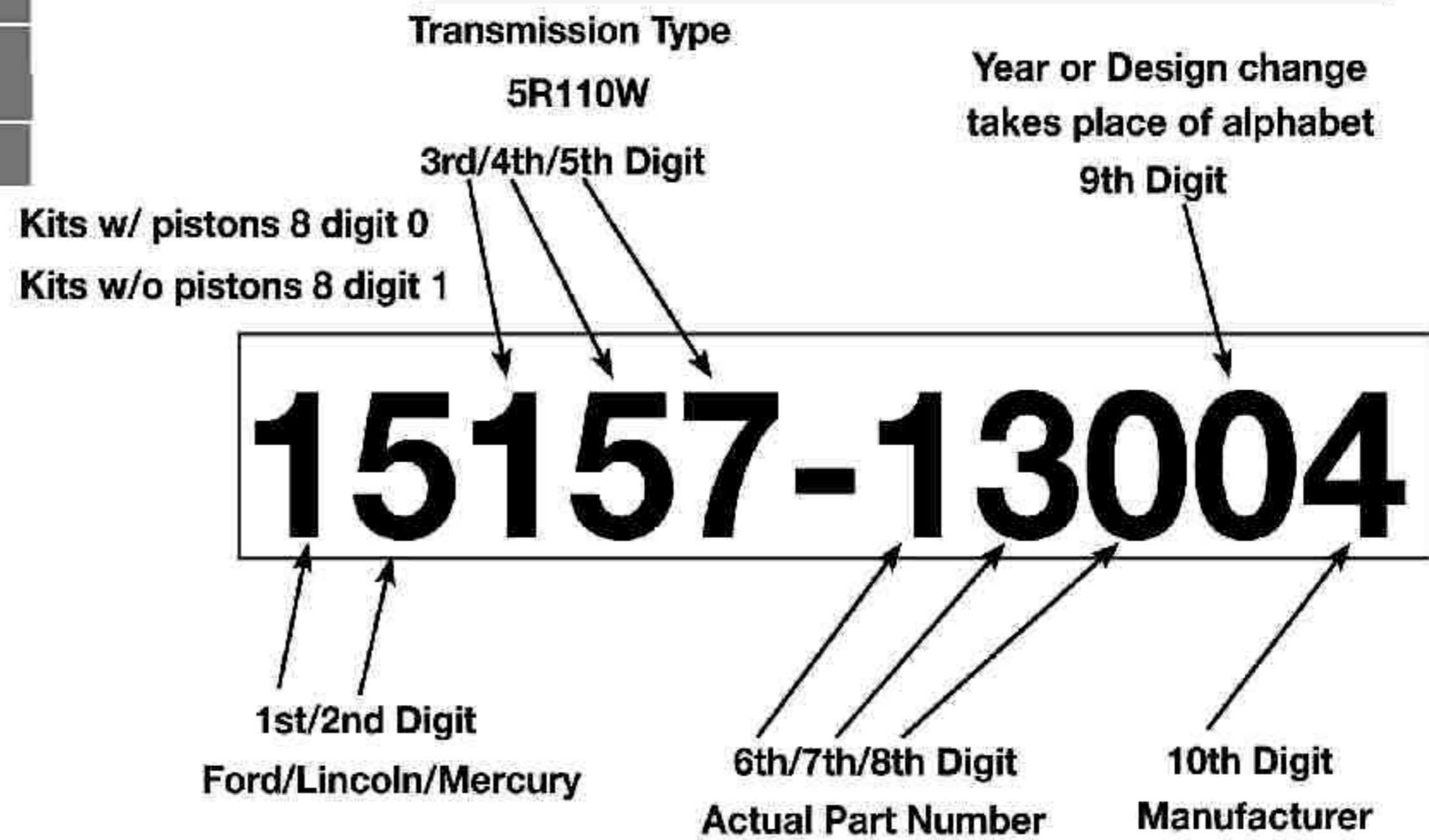


Automatic transmission 10 Digit Numbering System

10 Digit Numbering System

| | |
|-------------------|-----------------------|
| 1st/2nd Digit | Vehicle Make |
| 3rd/4th/5th Digit | Transmission Type |
| 6th/7th/8th Digit | Actual Part Number |
| 9th Digit | Year or Design Change |
| 10th Digit | Manufacturer/Vendor |

This is what a typical number looks like, this one is an O/H gasket set w/seals-rings w/pistons (5R110W)



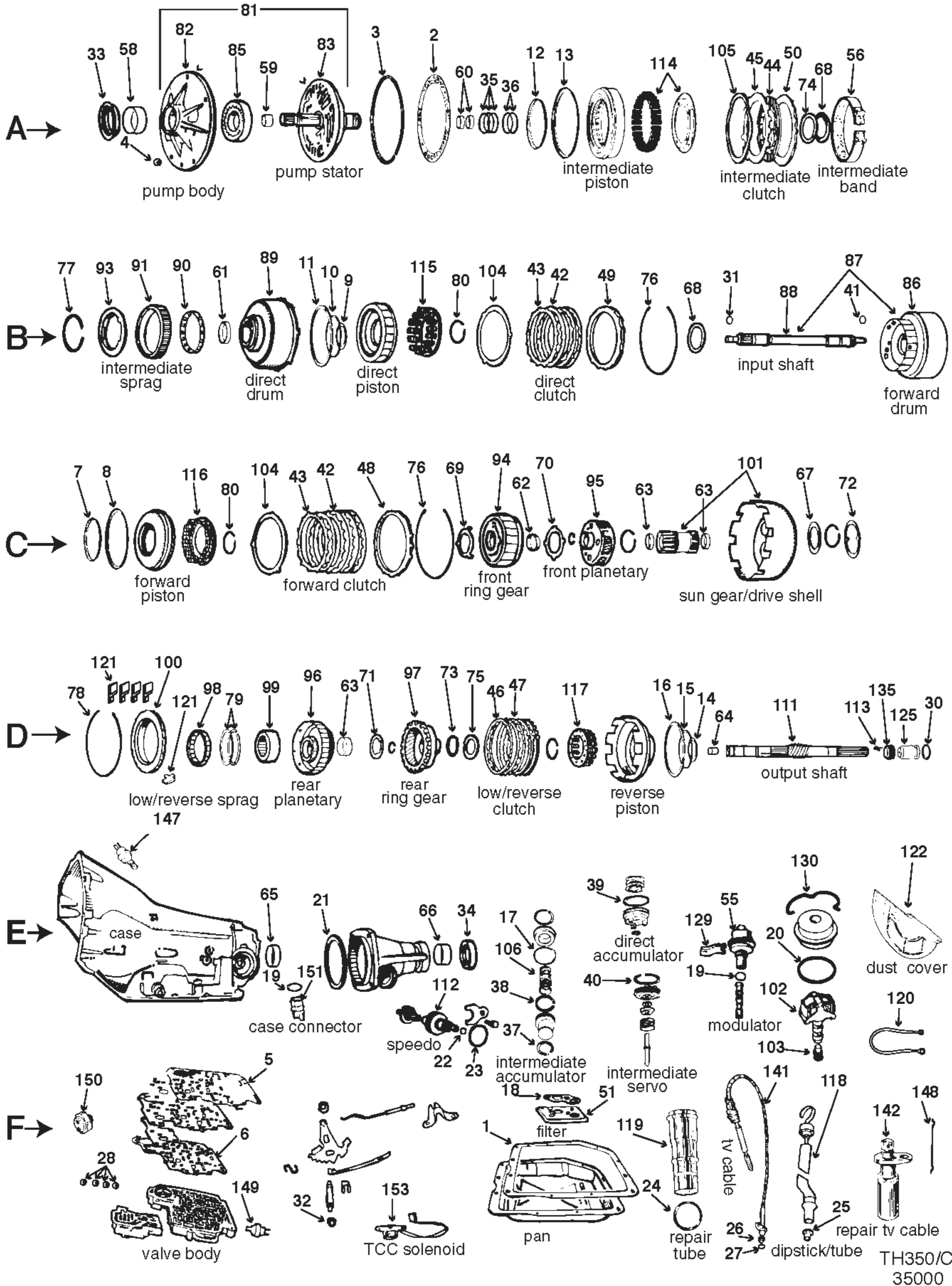
| 6th/7th/8th Digit | |
|--|---------|
| K4 Master deluxe rebuild kits | 100-101 |
| K5 Master kit w/steels | 110-119 |
| K6 Master kit w/o steels | 120-129 |
| K7 O/H gasket set w/seals-rings | 130-139 |
| K8 External seal kits | 140-149 |
| K11 Gaskets & seals kits | 150-159 |
| K13 Valve body gasket sets | 160-167 |
| K28 Accumulator D ring kits | 168-169 |
| K15 Valve body kits | 170-179 |
| Pan gaskets neoprene/cork | 180-189 |
| Pan gaskets Duraprene® | 190-199 |
| Pan gaskets molded rubber | 200-209 |
| O-rings/D rings | 210-245 |
| Lip seals | 246-279 |
| Gaskets | 280-299 |
| Metal clad seals | 300-314 |
| K10 Sealing ring kits | 315-319 |
| K10 Sealing ring kits (metal) | 320-330 |
| K10 Sealing ring kits (Teflon/plastic) | 331-350 |
| Friction (lined disc) | 351-374 |
| Steel/waved plates | 375-410 |
| Pressure plates | 411-434 |
| K9 Filter kits neoprene/cork | 435-439 |
| K9 Filter kits Duraprene® | 440-444 |
| K9 Filter kits molded rubber | 445-449 |
| Filters | 450-464 |
| Modulator | 465-474 |
| Bands | 475-484 |
| K13 Bushing kits | 500-505 |
| Bushings | 506-540 |
| K14 Thrust washer kits | 545-550 |
| K12 Thrust bearing kits | 551-555 |
| K14 Shim kits | 556-560 |
| Thrust washers | 561-620 |
| Thrust bearing races | 561-620 |
| Snap rings | 621-669 |
| Pump/pump parts | 670-710 |
| Hard parts | 721-849 |
| Electrical | 850-939 |
| Sprags | 940-960 |
| Pistons, bonded rubber | 961-994 |
| Bonded piston kits | 995-999 |

Kits w/ pistons 8 digit 0
Kits w/o pistons 8 digit 1

Vehicle Make

| | |
|------------------------------|------------------|
| 10 General Motors | 74 Lexus |
| 15 Ford/Lincoln/Mercury | 75 Mazda |
| 20 Chrysler/Dodge/Jeep/Eagle | 78 Mercedes |
| 25 Acura | 80 Mitsubishi |
| 30 Alfa Romeo | 82 Nissan/Datsun |
| 40 Audi | 83 Opel |
| 45 BMW | 84 Peugeot |
| 50 Daewoo | 85 Porsche |
| 52 Fiat | 86 Renault |
| 55 Daihatsu | 87 Saab |
| 56 GEO | 90 Saturn |
| 60 Honda | 91 Sterling |
| 65 Hyundai | 92 Subaru |
| 68 Infiniti | 93 Suzuki |
| 70 Isuzu | 94 Smart |
| 71 Jaguar | 95 Toyota |
| 72 Kia | 96 Volkswagen |
| 73 Land Rover | 97 Volvo |

| | | |
|-------------------------|-----------------------|---------------------|
| 670 Pump assemblies | 98 Scion | 10th Digit |
| 681 Pump gears | 1st/2nd Digit | 0 OEM |
| 685 Pump stators | Vehicle Make | 1 Borg/Warner |
| 675 Pump bodies w/gears | 3rd/4th/5th Digit | 2 Raybestos |
| | Transmission Type | 3 Rebuilt/Good Used |
| | 6th/7th/8th Digit | 4 Aftermarket |
| | Actual Part | 5 Superior |
| | 9th Digit | 6 SPX |
| | Year or Design Change | 7 Transtec |
| | | 8 Hi-Performance |
| | | 9 Transgo® |



TH350/C
35000

| ILL | DESCRIPTION | QTY | YEAR | REFERENCE # | PART # |
|--------------------------------------|---|-----|-------|--------------|-----------|
| TECHNICAL MANUALS | | | | | |
| K53 | Tech manual TH350 dis/assembly diagnosis/troubleshooting | 1 | 69-86 | 83-350TM | 010-306 |
| REBUILDER KITS | | | | | |
| K4 | Master deluxe rebuild kit TH350/TH250 | 1 | 69-79 | AE | K3500B-R |
| K4 | Master deluxe rebuild kit TH350/C | 1 | 69-86 | AE | K3500F-R |
| K4 | Master deluxe rebuild kit TH250C | 1 | 80-84 | AE | K3500G-R |
| K4 | Master deluxe rebuild kit TH350/TH250 (high performance) | 1 | 69-79 | AE | H3500B-R |
| K4 | Master deluxe rebuild kit TH350/TH250 (w/green clutches) | 1 | 69-79 | AE | K3500W-R |
| K5 | Master kit w/steels TH350/TH250 | 1 | 69-79 | AE | K3500B |
| K5 | Master kit w/steels TH350/TH250 (w/stator rings only) | 1 | 69-79 | AE | K3500C |
| K5 | Master kit w/steels TH350/C | 1 | 69-86 | AE | K3500F |
| K5 | Master kit w/steels TH350/C (w/stator rings only) | 1 | 69-86 | AE | K3500S |
| K5 | Master kit w/steels TH250C | 1 | 80-84 | AE | K3500G |
| K5 | Master kit w/steels TH350/TH250 (w/green clutches) | 1 | 69-79 | AE | K3500W |
| K6 | Master kit w/o steels TH350/TH250 | 1 | 69-79 | AE | K3500B-LS |
| K6 | Master kit w/o steels TH350/TH250 (w/stator rings only) | 1 | 69-79 | AE | K3500C-LS |
| K6 | Master kit w/o steels TH350/C | 1 | 69-86 | AE | K3500F-LS |
| K6 | Master kit w/o steels TH350/C (w/stator rings only) | 1 | 69-86 | AE | K3500S-LS |
| K6 | Master kit w/o steels TH250C | 1 | 80-84 | AE | K3500G-LS |
| K6 | Master kit w/o steels TH350/TH250 (w/green clutches) | 1 | 69-79 | AE | K3500W-LS |
| K7 | O/H gasket set w/seals-rings TH350/TH250 | 1 | 69-79 | AE | K35900B |
| K7 | O/H gasket set w/seals-rings TH350/TH250 (w/short ring kit) | 1 | 69-79 | AE | K35900C |
| K7 | O/H gasket set w/seals-rings TH350/C/TH250/C | 1 | 69-86 | AE | K35900F |
| K7 | O/H gasket set w/seals-rings TH350/C/TH250/C (w/short ring kit) | 1 | 69-86 | AE | K35900S |
| K8 | External seal kit TH350/C | 1 | 69-86 | AE | K35900-2 |
| K11 | Gasket and seal kit TH350/TH250 | 1 | 69-79 | AE | K35900B-1 |
| K11 | Gasket and seal kit TH350C/TH250C | 1 | 80-86 | AE | K35900D-1 |
| K11 | Gasket and seal kit (combo) TH350/C/TH250/C | 1 | 69-86 | AE | K35900F-1 |
| VALVE BODY KITS | | | | | |
| K15 | Shift Kit® corrects soft 3rd, late shifts TH350/C/TH250/C | 1 | 69-86 | SK® 350 | K35908 |
| K15 | Reprogramming Kit™ Tow or Go® TH350 (combination) | 1 | 69-79 | 350-1 and 2 | 350-2 |
| K15 | Reprogramming Kit™ stick shift TH350 (converts to manual shift) | 1 | 69-79 | 350-3 | 350-3 |
| K15 | Reprogramming Kit™ Tow or Go® TH350C (combination) | 1 | 80-86 | 350C-1 and 2 | 350C-2 |
| K15 | Shift Correction Package TH350/C | 1 | 69-86 | K350 | S35908 |
| K15 | Shift Correction Package high performance | 1 | 69-86 | K350-HP | K350-HP |
| K15 | Shift point package governor calibration | 1 | 69-86 | K018 | 34964 |
| K15 | Shift Improver Kit TH350 | 1 | 69-79 | 30262 | 114-30262 |
| K15 | Transpak™ TH350 | 1 | 69-79 | 30228 | 114-30228 |
| K15 | Transpak™ TH350C | 1 | 80-86 | 30235 | 114-30235 |
| K15 | Manual pak full manual control | 1 | 69-79 | 30219 | 114-30219 |
| GASKETS AND RUBBER COMPONENTS | | | | | |
| F1 | Gasket, oil pan neoprene/cork | 1 | 69-86 | 6261649 | 13500X |
| F1 | Gasket, oil pan Duraprene® | 1 | 69-86 | 6261649 | 13500D |
| A2 | Gasket pump to case | 1 | 69-86 | 8640671 | 13531A |
| A3 | Seal, lathe cut pump body to case | 1 | 69-86 | 6261413 | 3877L |
| A4 | Washer, coated pump bolts | 8 | 69-86 | 3884683 | 13268A |
| F5 | Gasket, valve body upper (w/o lock-up) | 1 | 69-79 | 330189 | 13525 |
| F5 | Gasket, valve body upper (w/lock-up) | 1 | 80-86 | 8641470 | 13525B |
| F6 | Gasket, valve body lower (w/o lock-up) | 1 | 69-79 | 8640092 | 13525A |
| F6 | Gasket, valve body lower (w/lock-up) | 1 | 80-86 | 8641953 | 13525C |
| C7 | Lip seal forward clutch (inner) | 1 | 69-86 | 6261053 | 13562 |
| C8 | Lip seal forward/direct clutch (outer) | 1 | 69-86 | 8623101 | 3643L |
| B9 | Lip seal forward clutch (inner) | 1 | 69-86 | 6261053 | 13562 |
| B10 | Lip seal direct clutch (outer) | 1 | 69-86 | 6261054 | 3979L |

TH350•350•TH350C•TH250•250•TH250C

TH350•C•TH250•C

| ILL | DESCRIPTION | QTY | YEAR | REFERENCE # | PART # |
|--|--|-----|-------|--------------|---------|
| GASKETS AND RUBBER COMPONENTS (CONTINUED) | | | | | |
| B11 | Lip seal direct clutch (center) | 1 | 69-86 | 6261055 | 13561 |
| A12 | Lip seal intermediate clutch (inner except 250C) | 1 | 69-86 | 6261079 | 13551 |
| A13 | Lip seal intermediate clutch (outer except 250C) | 1 | 69-86 | 6261080 | 13550 |
| D14 | Seal, lathe cut low/reverse clutch (inner) | 1 | 69-86 | 3812830 | 3773L |
| D15 | Seal, lathe cut low/reverse clutch (center) | 1 | 69-86 | 3812831 | 3774L |
| D16 | Seal, lathe cut low/reverse clutch (outer) | 1 | 69-86 | 8637772 | 13536 |
| E17 | O'ring aluminum accumulator cover (large) | 1 | 69-86 | 338926 | 13520 |
| E17 | O'ring steel accumulator cover (small) | 1 | 69-86 | 1242559 | 13520A |
| F18 | Gasket filter | 1 | 69-86 | 6261235 | 13501 |
| E19 | O'ring modulator/connector/speedo housing | 1/3 | 69-86 | 6264903 | 3410L |
| E20 | Seal, lathe cut governor cover | 1 | 69-86 | 1241734 | 13515 |
| E21 | Seal, lathe cut extension housing to case | 1 | 69-86 | 1358899 | 3896L |
| E22 | Lip seal w/o spring speedo driven gear | 1 | 69-86 | 1240382 | 3991LS |
| E22 | Lip seal w/spring speedo driven gear | 1 | 69-86 | 1240382HD | 3991L |
| E23 | O'ring (2 1/8" dia) speedo gear housing (large) | 1 | 69-86 | 25501478 | 13582 |
| F24 | O'ring filler tube to case | 1 | 69-86 | 6264902 | 3291L |
| F25 | Multi lip seal (boot) filler tube to case | 1 | 79-86 | 1259475 | 13925 |
| F26 | Multi lip seal detent cable | 1 | 79-86 | 1262475 | 13580A |
| F27 | O'ring detent cable | 1 | 69-78 | 6264901 | 13580 |
| F28 | Ball, check (1/4" steel) 1/4" steel | 4 | 69-86 | 6261179 | 13924S |
| D30 | O'ring output shaft yoke to sleeve | 1 | 79-86 | 3764601 | 13538 |
| B31 | O'ring input shaft | 1 | 80-86 | 8630049 | 13917 |
| n/i | Hose, vacuum (90°) modulator | 1 | 69-86 | C1AZ-7B087-E | 13566 |
| n/i | Yoke, seal (fixes leaky drive shaft yoke) fixes leaky drive shaft yoke | 1 | 69-86 | 35746YS | 96-107 |
| METAL CLAD SEALS | | | | | |
| F32 | Seal, metal clad manual lever shaft | 1 | 69-86 | 8623056 | 38511 |
| A33 | Seal, metal clad front | 1 | 69-86 | 8641904 | 38151A |
| E34 | Seal, metal clad 60x38x12mm extension housing | 1 | 69-86 | 1243402 | 8850B |
| n/i | Seal, metal clad fits inner metal housing | 1 | 69-86 | 2558260 | 38511X |
| SEALING RINGS | | | | | |
| K10 | Kit, sealing ring TH350 (9 metal rings) | 1 | 69-73 | AE | K35903 |
| K10 | Kit, sealing ring TH350/C (9 metal rings) | 1 | 74-86 | AE | K35903B |
| K10 | Kit, sealing ring (short) TH350/C (5 metal rings)(stator) | 1 | 69-86 | AE | K35903C |
| K10 | Kit, sealing ring TH350/C (10 rings 9 teflon/1 metal) | 1 | 74-86 | AE | K35903T |
| A35 | Ring, sealing (metal) stator support to direct drum | 3 | 69-86 | 6261746 | 35300 |
| A35 | Ring, sealing (teflon) stator support to direct drum | 3 | 69-86 | 6261746 | 35300T |
| A36 | Ring, sealing (teflon) stator support to forward drum | 2 | 69-86 | 6261570 | 35301T |
| A36 | Ring, sealing (metal) stator support to forward drum | 2 | 69-86 | 6261570 | 35301 |
| E37 | Ring, sealing (metal) intermediate clutch accumulator (inner) | 1 | 69-86 | 6261138 | 35302 |
| E37 | Ring, sealing (teflon) intermediate clutch accumulator (inner) | 1 | 69-86 | 6260257 | 35302T |
| E38 | Ring, sealing (metal) intermediate clutch accumulator (outer) | 1 | 69-73 | 6261139 | 35303 |
| E38 | Ring, sealing (metal) intermediate clutch accum (thin outer) | 1 | 74-86 | 6260258 | 35303S |
| E38 | Ring, sealing (teflon) intermediate clutch accumulator (outer) | 1 | 74-86 | 6260258 | 35303T |
| E39 | Ring, sealing (metal) direct clutch accumulator | 1 | 74-86 | 6260320 | 35305S |
| E39 | Ring, sealing (teflon) direct clutch accumulator | 1 | 74-86 | 6260320 | 35305T |
| E39 | Ring, sealing (metal) direct clutch accumulator | 1 | 69-73 | 6261151 | 35305 |
| E40 | Ring, sealing (metal) intermediate servo piston | 1 | 69-73 | 6261151 | 35305 |
| E40 | Ring, sealing (teflon) intermediate servo piston | 1 | 74-86 | 6260320 | 35305T |
| E40 | Ring, sealing (metal) intermediate servo piston | 1 | 74-86 | 6260320 | 35305S |
| E40 | Ring, sealing TH250 (intermediate servo piston) | 1 | 73-75 | 330164 | 35306 |
| E40 | Ring, sealing TH250C (intermediate servo piston) | 1 | 80-84 | 8640742 | 35309 |
| E40 | Ring, sealing (metal) TH250C (intermediate servo piston) | 1 | 80-84 | 6261150 | 35305 |
| n/i | Ring, sealing (teflon) TH250 (input shaft to output shaft) | 1 | 76-79 | 8640186 | 35307T |

| ILL | DESCRIPTION | QTY | YEAR | REFERENCE # | PART # |
|------------------------|--------------------------------------|-----|-------|--------------|----------|
| CLUTCH PLATES | | | | | |
| BC42 | Friction .097" 5.921" od 20T (green) | 9 | 69-86 | 6261278 | 35103 |
| BC42 | Friction .097" 5.921" od 20T (tan) | 9 | 69-86 | 6261278 | 35103A |
| BC42 | Friction (blue/high performance) | 9 | 69-86 | 6261278HP | 35103H |
| BC42 | Friction .087" 5.911" od 20T | 10 | 80-84 | 8640735 | 35107 |
| BC43 | Steel .068" 4.865" id 12T | 9 | 69-86 | 6261071 | 35100 |
| BC43 | Steel .068" 4.865" id 12T (Kolene®) | 9 | 69-86 | 6261071 | 35100K |
| BC43 | Steel .090" 4.865" id 12T (oversize) | ar | 69-86 | 6261071OS | 35100X |
| A44 | Friction .098" 7.445" od 60T (green) | 3 | 69-86 | 6261277 | 35102 |
| A44 | Friction .098" 7.445" od 60T (tan) | 3 | 69-86 | 8647522 | 35102A |
| A44 | Friction (blue/high performance) | 3 | 69-86 | 6261277HP | 35102H |
| A45 | Steel .068" 6.178" id 7T | 3 | 69-86 | 8640672 | 35104 |
| A45 | Steel .068" 6.178" id 7T (Kolene®) | 3 | 69-86 | 8640672 | 35104K |
| A45 | Steel .090" 6.178" id 7T (oversize) | ar | 69-86 | 8640672OS | 35104X |
| D46 | Friction .097" 6.463" od 25T | 5 | 69-86 | 3832386 | 18506 |
| D46 | Friction .097" 6.463" od 25T | 5 | 69-86 | 3832386HP | 18506H |
| D46 | Friction .087" 6.463" od 25T | 5 | 80-84 | 8654598 | 35109 |
| D47 | Steel .068" 5.725" id 17T | 5 | 69-86 | 6261120 | 35101 |
| D47 | Steel .068" 5.725" id 17T (Kolene®) | 5 | 69-86 | 6261120 | 35101K |
| D47 | Steel .090" 5.725" id 17T (oversize) | ar | 69-86 | 6261120OS | 35101X |
| PRESSURE PLATES | | | | | |
| C48 | Pressure plate .245"-.255" | sel | 69-86 | 6261072 | 35715-R |
| C48 | Pressure plate .275"-.285" | sel | 69-86 | 6261349 | 35714-R |
| B49 | Pressure plate .310" | 1 | 69-86 | 6261350 | 35716-R |
| A50 | Pressure plate .300" | 1 | 69-86 | 8640673 | 35717-R |
| FILTERS | | | | | |
| K9 | Kit, filter (brass screen) | 1 | 69-86 | AE | DK35710 |
| K9 | Kit, filter (dacron) | 1 | 69-86 | AE | DK35710D |
| K9 | Kit, filter (nylon screen) | 1 | 69-86 | AE | DK35710B |
| K9 | Kit, filter (brass screen) | 1 | 69-86 | AE | FK35710 |
| K9 | Kit, filter (dacron) | 1 | 69-86 | AE | FK35710D |
| K9 | Kit, filter (nylon screen) | 1 | 69-86 | AE | FK35710B |
| F51 | Filter, brass screen | 1 | 69-86 | 6438816 | 35710 |
| F51 | Filter, dacron | 1 | 69-86 | 8641443 | 35710D |
| F51 | Filter, nylon screen | 1 | 69-86 | 8640848 | 35710B |
| n/i | Screen, filter | 1 | 69-86 | 8640074 | 35711 |
| n/i | Screen, filter (plastic) | 1 | 69-86 | 6273269 | 35712 |
| MODULATORS | | | | | |
| E55 | Modulator, dual red stripe | 1 | 69-86 | 8683187 | 38820E |
| E55 | Modulator, single red stripe | 1 | 69-86 | various | 38820S |
| E55 | Modulator, black/red stripe | 1 | 73-86 | 3035518 | 35820F |
| BANDS | | | | | |
| A56 | Band, single wrap | 1 | 69-86 | 6261132 | 35700 |
| A56 | Band, over wrap | 1 | 73-84 | 8641196 | 35700A |
| A56 | Band | ar | 69-86 | 6261132HD | 35700HD |
| BUSHINGS | | | | | |
| K13 | Kit, bushing | 1 | 69-79 | AE | K35901 |
| K13 | Kit, bushing | 1 | 80-86 | AE | K35901A |
| A58 | Bushing (babbitt) | 1 | 69-86 | 8623940 | 8005 |
| A59 | Bushing | 1 | 69-79 | 1381366 | 35007 |
| A59 | Bushing (bronze) | 1 | 80-86 | 8641073 | 35007A |
| A60 | Bushing | 2 | 69-86 | 6261022 | 35003 |
| B61 | Bushing (babbitt w/oil groove wide) | 1 | 69-86 | B5AZ-7B260-A | 6015 |
| B61 | Bushing (babbitt wide) | 1 | 69-86 | 8640099W | 35000B |

TH350•350•TH350C•TH250•250•TH250C

TH350•C•TH250•C

| ILL | DESCRIPTION | QTY | YEAR | REFERENCE # | PART # |
|-------------------------------------|---|-----|-------|-------------|----------|
| BUSHINGS (CONTINUED) | | | | | |
| B61 | Bushing (babbit narrow) direct clutch drum | 1 | 69-86 | 6261026 | 35000A |
| B61 | Bushing (bronze narrow) direct clutch drum | 1 | 69-86 | 8640099 | 35000 |
| C62 | Bushing input ring gear hub | 1 | 69-86 | 8641117 | 35006 |
| CD63 | Bushing sun gear (front-rear) and rear planetary | 3 | 69-86 | 6261033 | 35009 |
| D64 | Bushing (teflon) output shaft pilot | 1 | 69-86 | 8641058 | 8004T |
| D64 | Bushing output shaft pilot | 1 | 69-86 | 3789034 | 8004 |
| E65 | Bushing case | 1 | 69-86 | 8641118 | 35012 |
| E66 | Bushing (babbit) 1.626" od extension housing | 1 | 69-86 | 6260048 | 8008A |
| E66 | Bushing (bronze w/dimples) extension housing (w/27 spline output) | 1 | 69-86 | 3717682 | 8008 |
| n/i | Bushing (not in kit) needs tool T-107 | 1 | 69-86 | 30104A | 30104A |
| n/i | Sleeve, input shaft rear (not in kit) requires machining | 1 | 69-86 | MGB-350S | 96-118 |
| WASHERS/BEARINGS/RACES/SHIMS | | | | | |
| K12 | Kit, thrust bearing TH350/C/TH250/C | 1 | 69-86 | AE | K35906 |
| K14 | Kit, thrust washer TH350/250 (metal) | 1 | 69-79 | AE | K35907 |
| K14 | Kit, thrust washer TH350/C/TH250/C (plastic) | 1 | 80-86 | AE | K35907A |
| K14 | Kit, shim (4 selective shims) output gear | 1 | 69-86 | AE | K35702 |
| K14 | Kit, shim (6 selective shims) stator support | 1 | 69-86 | AE | K35701 |
| C67 | Thrust washer .031" (internal teeth) sun gear/shell | 1 | 69-86 | 6261034 | 35401A |
| A68 | Thrust washer .066" (# 1) stator support | 1 | 69-86 | 6261015 | 35400B |
| A68 | Thrust washer .083" (# 2) stator support | 1 | 69-86 | 6261013 | 35400 |
| A68 | Thrust washer .100" (# 3) stator support | 1 | 69-86 | 6261014 | 35400A |
| A68 | Bearing, thrust stator support | 1 | 76-86 | 9436851 | 35400C |
| B68 | Bearing, thrust direct drum to forward drum | 1 | 69-86 | 9428864 | 35400C |
| C69 | Thrust washer (metal) 3 tabs forward clutch drum to front ring gear | 1 | 69-86 | 6261027 | 35405 |
| C69 | Thrust washer (plastic) 3 tabs forward clutch drum to front ring gear | 1 | 69-86 | 8640060 | 35405A |
| C70 | Thrust washer input (front) ring gear to front planetary | 1 | 69-86 | 6260374 | 35403 |
| C70 | Bearing, thrust input (front) ring gear to front planetary | 1 | 76-86 | 9436852 | 35403B |
| D71 | Thrust washer output (rear) ring gear to rear planetary | 1 | 69-86 | 6261124 | 35402 |
| D71 | Bearing, thrust output (rear) ring gear to rear planetary | 1 | 75-86 | 1256852 | 35402B |
| C72 | Thrust washer (metal) 4 tabs sun gear shell to low/reverse inner race | 1 | 69-86 | 6261184 | 35406 |
| C72 | Thrust washer (plastic) 4 tabs sun gear shell to low/reverse inner race | 1 | 69-86 | 8642331 | 35406A |
| D73 | Bearing, thrust output (rear) ring gear support to case | 1 | 69-86 | 9427759 | 35408 |
| A74 | Shim .010" stator support | sel | 69-86 | AE | 35412 |
| A74 | Shim .015" stator support | sel | 69-86 | AE | 35412A |
| A74 | Shim .020" stator support | sel | 69-86 | AE | 35412B |
| A74 | Shim .025" stator support | sel | 69-86 | AE | 35412C |
| A74 | Shim .030" stator support | sel | 69-86 | AE | 35412D |
| A74 | Shim .035" stator support | sel | 69-86 | AE | 35412E |
| D75 | Shim .030" rear ring gear to bearing | sel | 69-86 | AE | 35404A |
| D75 | Shim .035" rear ring gear to bearing | sel | 69-86 | AE | 35404B |
| D75 | Shim .040" rear ring gear to bearing | sel | 69-86 | AE | 35404C |
| D75 | Shim .045" rear ring gear to bearing | sel | 69-86 | AE | 35404D |
| D75 | Shim .010" rear ring gear to bearing | sel | 69-86 | AE | 35404E |
| D75 | Shim .020" rear ring gear to bearing | sel | 69-86 | AE | 35404F |
| SNAP RINGS | | | | | |
| BC76 | Snap ring forward/direct clutch drum to press plate | 2 | 69-86 | 6261048 | 35551-R |
| B77 | Snap ring intermediate sprag retainer | 1 | 69-86 | 6261038 | 35431-R |
| D78 | Snap ring low/reverse clutch support to case | 1 | 69-86 | 6261416 | 35552-R |
| D79 | Snap ring low/rev overrun clutch to case (retaining) | 2 | 69-86 | 6261051 | 35560-R |
| BC80 | Snap ring forward/direct clutch spring retainer | 2 | 69-86 | 6261037 | 35553-R |
| n/i | Snap ring rear ring gear to output shaft | 1 | 69-86 | 6261049 | 35500-R |
| n/i | Snap ring front planetary to output shaft | 1 | 69-86 | 6261039 | 35500A-R |

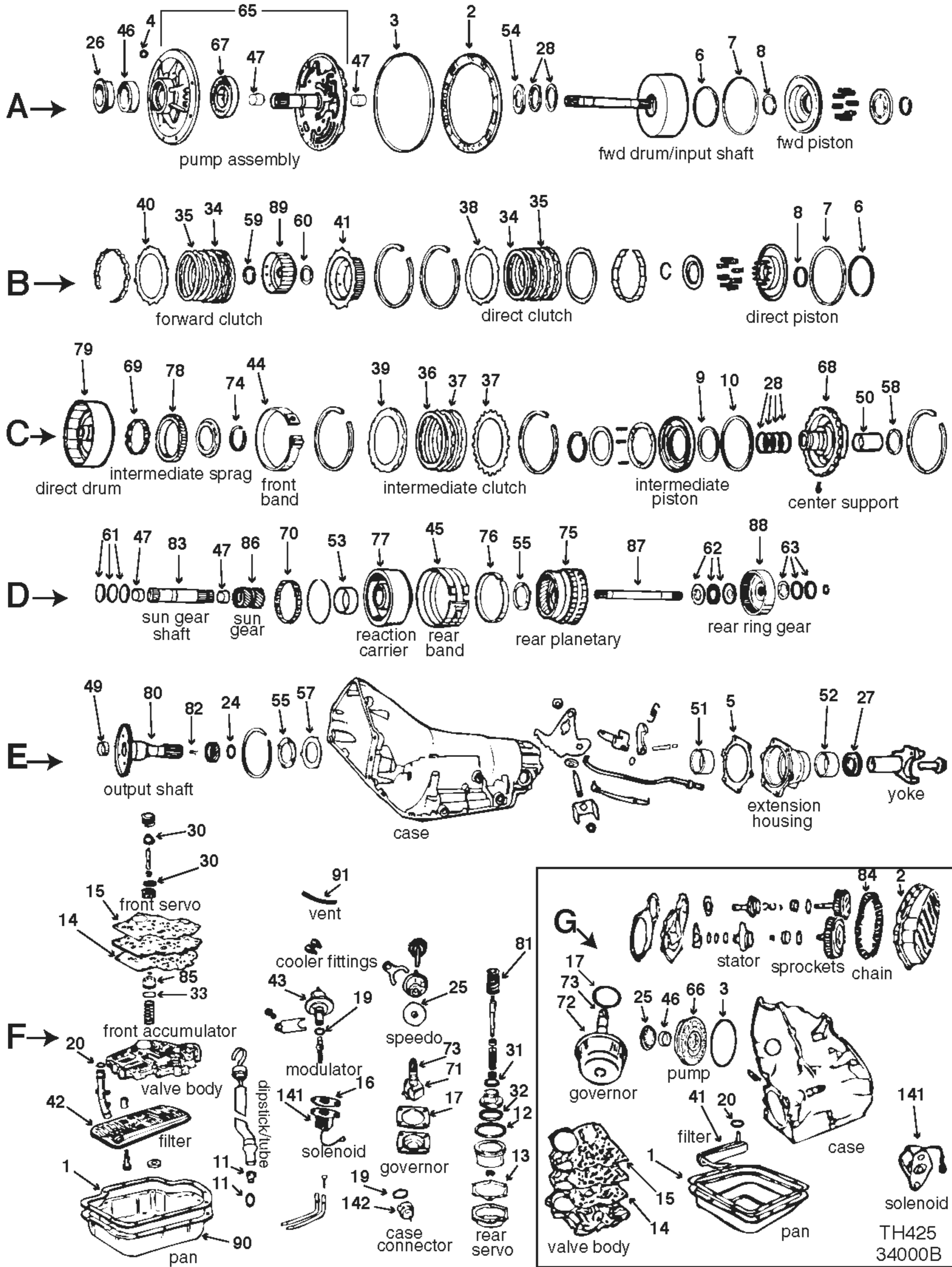
| ILL | DESCRIPTION | QTY | YEAR | REFERENCE # | PART # |
|-----------------------------|--|-----|-------|-------------|----------|
| PUMP PARTS AND PUMPS | | | | | |
| A81 | Pump assembly, specify washer or bearing TH350 | 1 | 69-79 | AE | 35200-R |
| A81 | Pump assembly TH250 | 1 | 73-75 | AE | 35200B-R |
| A81 | Pump assembly TH250C | 1 | 80-84 | AE | 35200A-R |
| A81 | Pump assembly TH350C | 1 | 80-86 | AE | 35200C-R |
| A82 | Pump body and gears TH350/TH250 | 1 | 69-79 | 8641911 | 35200Z-R |
| A82 | Pump body and gears TH350C/TH250C | 1 | 80-86 | 8641590 | 35200D-R |
| A83 | Pump stator TH350 | 1 | 69-79 | 464181 | 35200X-R |
| A83 | Pump stator TH250C | 1 | 80-84 | 1403381 | 35400E-R |
| A83 | Pump stator TH350C | 1 | 80-86 | 14022147 | 35400D-R |
| A85 | Gear set, pump .721" | 1 | 69-79 | AE | K35201A |
| A85 | Gear set, pump .723" | 1 | 69-79 | AE | K35201C |
| A85 | Gear set, pump .725" | 1 | 69-79 | AE | K35201 |
| A85 | Gear set, pump .727" | 1 | 69-79 | AE | K35201B |
| A85 | Gear set, pump .841"-.841" | 1 | 80-86 | 8641422 | K35201D |
| A85 | Gear set, pump .843"-.843" | 1 | 80-86 | 8641426 | K35201F |
| A85 | Gear set, pump .845"-.845" | 1 | 80-86 | 8641429 | K35201G |
| n/i | Shaft, stator (press out) TH350C (only) | 1 | 80-86 | M35711 | 35969 |
| HARD PARTS | | | | | |
| B86 | Drum, forward clutch (w/o shaft) TH350/C | 1 | 69-86 | 360943 | 35725-R |
| B87 | Drum, forward clutch (w/shaft) TH350 | 1 | 69-79 | 14033579 | 35733-R |
| B88 | Shaft, input (bushing type) w/o lock-up | 1 | 69-79 | 14033579 | 35731-R |
| B88 | Shaft, input (teflon ring type) w/o lock-up | 1 | 76-79 | 25505774 | 35731A-R |
| B88 | Shaft, input TH350C/TH250C (w/lock-up) | 1 | 80-86 | 14024301 | 35731B-R |
| B89 | Drum, direct clutch (w/sprag cam) TH350/C | 1 | 69-86 | 8640307 | 35726-R |
| B91 | Race, interemdaite clutch TH350/C (case harden) | 1 | 69-86 | 6261021HD | 35429H |
| B91 | Race, intermediate clutch (outer) TH350/C | 1 | 69-86 | 6261021 | 35429-R |
| B93 | Retainer, intermediate clutch (sprag) TH350/C | 1 | 69-86 | 6261143 | 35751-R |
| C94 | Ring gear, front TH350/C/TH250/C | 1 | 69-86 | 6261401 | 35748-R |
| C95 | Planetary, front (bearing type) TH350/C/TH250/C | 1 | 69-86 | 1250023 | 35747A-R |
| C95 | Planetary, front (washer type) TH350/C/TH250/C | 1 | 69-86 | AE | 35747-R |
| D96 | Planetary, rear TH350/C/TH250/C | 1 | 69-86 | 6261645 | 35730-R |
| D97 | Ring gear, rear (bearing type) TH350/C/TH250/C | 1 | 69-86 | 1250022 | 35749A-R |
| D97 | Ring gear, rear (washer type) TH350/C/TH250/C | 1 | 69-86 | 1250022 | 35749-R |
| D99 | Race, low/reverse sprag (inner) TH350/C/TH250/C | 1 | 69-86 | 6261125 | 35530-R |
| D100 | Support, low/rev clutch TH350/C/TH250/C (w/sprag and race)(narrow) | 1 | 69-86 | 8647411 | 35727-R |
| C101 | Sun gear/drive shell assembly TH350/C | 1 | 69-86 | 1241726 | 35728A-R |
| E102 | Governor, assembly TH350/C/TH250/C | 1 | 69-86 | 8640234 | 35410-R |
| E102 | Governor, assembly TH350/C/TH250/C | 1 | 69-86 | 8640234 | 35410 |
| E103 | Kit, governor gear TH350/C/TH250/C (governor repair) | 1 | 69-86 | 6261660 | K35411 |
| BC104 | Spring, cushion TH350/C/TH250/C (forward/direct clutch) | 2 | 69-86 | 8640176 | 35703-R |
| A105 | Spring, cushion TH350/C (intermediate clutch) | 1 | 69-86 | 1243139 | 35704-R |
| E106 | Spring TH350/C (intermediate clutch acc) | 1 | 69-86 | 6261140 | 35706-R |
| E106 | Spring TH350/C (intermediate clutch acc) | 1 | 69-86 | 6261140 | 35706 |
| D111 | Shaft, output (4WD 9-5/8" long) TH350/C | 1 | 70-81 | 8641088 | 35738C-R |
| D111 | Shaft, output (4WD 14-1/2" long) TH350C | 1 | 81-84 | 8641440 | 35738D-R |
| E112 | Housing, speedo TH350/C/TH250/C | 1 | 69-86 | 25513247 | 04-188 |
| E112 | Housing, speedo 36-39T TH350/C (for 34-39T gears BOP) | 1 | 73-86 | 1247266 | 04-190 |
| D113 | Clip, speedo (5/16" thin long) TH350/C/TH250/C | 1 | 69-86 | 6261781 | 35226 |
| D113 | Clip, speedo drive gear TH350/C/TH250/C (short/med) | 1 | 69-86 | 6261059 | 35226A |
| A114 | Retainer, w/springs TH350/C (intermediate) | 1 | 69-86 | 1243126 | 35510-R |
| B115 | Retainer, w/springs TH350/C/TH250/C (direct) | 1 | 69-86 | 1242723 | 35511-R |
| C116 | Retainer, w/springs TH350/C/TH250/C (forward) | 1 | 69-86 | 1242722 | 35512-R |
| D117 | Retainer, w/springs TH350/C/TH250/C (low/reverse) | 1 | 69-86 | 6260382 | 35513-R |

TH350•350•TH350C•TH250•250•TH250C

TH350•C•TH250•C

| ILL | DESCRIPTION | QTY | YEAR | REFERENCE # | PART # |
|-------------------------------|---|-----|-------|-------------|---------|
| HARD PARTS (CONTINUED) | | | | | |
| F118 | Kit, filler tube and dip stick | 1 | 69-86 | 14046820 | 96-199A |
| F119 | Filler tube repair | 1 | 69-86 | M99100A | 96-140A |
| E120 | Strap, ground (universal) | 1 | 69-86 | 35756 | 35176 |
| D121 | Lock, low/rev clutch support | 1 | 69-86 | 35790 | 35790 |
| D121 | Spring, anti clunk | 1 | 69-86 | 6261415 | 61915-R |
| E122 | Cover, converter dust (plastic universal) | 1 | 69-86 | K35803U | 96-249 |
| D125 | Sleeve, output shaft (yoke) | 1 | 69-86 | 6261062 | 61930 |
| E129 | Bracket, repair modulator hold down | 1 | 69-86 | M99121 | 35795 |
| E130 | Clip, governor cover | 1 | 69-86 | 6260040 | 61956-R |
| F141 | Cable, detent (telescoping design) | 1 | 69-86 | K35955U | 63-398 |
| F141 | Cable, detent (43.25" overall length) | 1 | 69-80 | K35951 | 63-415 |
| F141 | Cable, detent (40.5" overall length) | 1 | 77-86 | K35955B | 63-416 |
| F142 | Kit, detent cable repair end | 1 | 69-80 | K35909U | K35909A |
| F148 | Link, detent (wire) | 1 | 69-86 | 1243133 | 35933 |
| n/i | Bolt, flywheel/converter (USS) | 1 | 69-78 | M99122B2 | 96-164 |
| n/i | Bolt, flywheel/converter (metric) | 1 | 79-86 | M99122B1 | 96-178 |
| n/i | Bolt, flywheel/converter (use w/nut) | 1 | 69-79 | M99122B3 | 96-163B |
| n/i | Nut, flywheel/converter (use w/bolt) | 1 | 69-79 | M99122N1 | 96-163N |
| n/i | Grommet, linkage (white) | 1 | 69-86 | 35801 | 96-112 |
| n/i | Grommet, shift linkage | 1 | 76-82 | 1605083 | 96-125B |
| n/i | Plug, brass 1/8" w/hex head solid | 1 | 69-86 | 121SD-2 | 96-133 |
| n/i | Plug, brass 1/8" w/allen head | 1 | 69-86 | 109AL-2 | 96-102 |
| n/i | Cable, detent repair end (snap on style) | 1 | 69-86 | K35955CEB | 96-192 |
| n/i | Grommet, linkage to frame | 1 | 69-86 | 35800 | 96-112A |
| n/i | Plug, converter | 1 | 69-86 | 121-2 | 96-133B |
| n/i | Grommet, cross shaft linkage | 1 | 69-86 | 563565 | 96-125C |
| n/i | Support, case repair (heavy duty) | 1 | 69-86 | K77701S | K35995 |
| n/i | Bracket, adapter for 4x4 support struts | 1 | 69-86 | M35750 | K35996 |
| n/i | Housing extension, 6" for changeover | 1 | 80-86 | AE | 96-007 |
| n/i | Vent tube (plastic) | 1 | 69-86 | 8640496 | 96-141 |
| N/i | Piston, intermediate clutch (aluminum) | 1 | 69-86 | AE | 35515-R |
| N/i | Piston, direct clutch (aluminum) | 1 | 69-86 | AE | 35517-R |
| n/i | Piston, forward clutch (aluminum) | 1 | 69-86 | AE | 35519-R |
| N/i | Piston, low/reverse clutch (aluminum) | 1 | 69-86 | AE | 35521-R |
| ELECTRICAL COMPONENTS | | | | | |
| E147 | Switch, control spark smog | 1 | 70-72 | 6462514 | 15A-101 |
| E147 | Switch, control spark smog | 1 | 70-73 | 3996287 | 15A-103 |
| E147 | Switch, control spark smog | 1 | 71-71 | 6462549 | 15A-102 |
| E147 | Switch, control spark smog | 1 | 80-86 | 6462549 | 15A-109 |
| F149 | Switch, pressure 36-40 PSI (orange) | 1 | 80-86 | 8648060 | 15A-140 |
| F149 | Switch, pressure 44 PSI (pink) | 1 | 80-86 | 8648062 | 15A-144 |
| F149 | Switch, pressure 46 PSI (silver) | 1 | 80-86 | 8648063 | 15A-146 |
| F149 | Switch, pressure 50 PSI (white) | 1 | 80-86 | 8648065 | 15A-150 |
| F149 | Switch, pressure 52 PSI (brown) | 1 | 80-86 | 8648066 | 15A-152 |
| F149 | Switch, pressure 54 PSI (blue) | 1 | 80-86 | 8648067 | 15A-154 |
| F150 | Switch, pressure (2 terminals) | 1 | 80-86 | 8643710 | 15A-111 |
| E151 | Connector, electrical (4 terminal square) | 1 | 80-86 | 8662395 | 25A-104 |
| E151 | Connector, electrical (2 spade oval) | 1 | 80-86 | 12300205 | 25A-101 |
| E151 | Connector, electrical (3 terminal square) | 1 | 80-86 | 12015026 | 25A-103 |
| F153 | Solenoid | 1 | 80-86 | 52-0430 | 5A-105 |
| n/i | Switch, vacuum regulator (6.2L) | 1 | 80-86 | 14057219 | 35427 |
| n/i | Switch, vacuum regulator (w/wires) | 1 | 80-86 | 23500822 | 35427C |

| ILL | DESCRIPTION | QTY | YEAR | REFERENCE # | PART # |
|---------------------|---|------------|-------------|--------------------|----------------|
| SPRAGS | | | | | |
| B90 | Roller clutch TH350/C (intermediate) | 1 | 69-86 | 356826 | 35502-R |
| B90 | Roller clutch TH350/C (intermediate) | 1 | 69-86 | 356826 | 35502 |
| D98 | Roller clutch TH350/C/TH250/C (low/reverse) | 1 | 69-86 | 6261305 | 35503-R |
| D98 | Roller clutch TH350/C/TH250/C (low/reverse) | 1 | 69-86 | 6261305 | 35503 |
| SPEEDO GEARS | | | | | |
| n/i | Gear, speedo driven (small) 18T with plastic shaft (brown) | 1 | 69-86 | 3987918 | 03-104 |
| n/i | Gear, speedo driven (small od) 19T with plastic shaft (natural) | 1 | 69-86 | 3987919 | 03-108 |
| n/i | Gear, speedo driven (small od) 20T with plastic shaft (green) | 1 | 69-86 | 3987920 | 03-112 |
| n/i | Gear, speedo driven (small od) 21T with plastic shaft (red) | 1 | 69-86 | 3987921 | 03-116 |
| n/i | Gear, speedo driven (small od) 22T with plastic shaft (gray) | 1 | 69-86 | 3987922 | 03-120 |
| n/i | Gear, speedo driven (small od) 23T with plastic shaft (black) | 1 | 69-86 | 3860346 | 03-121 |
| n/i | Gear, speedo driven (small od) 24T with plastic shaft (yellow) | 1 | 69-86 | 3860347 | 03-122 |
| n/i | Gear, speedo driven (large od) 34T with plastic shaft (green) | 1 | 69-86 | 9774413 | 03-124 |
| n/i | Gear, speedo driven (small od) 25T with plastic shaft (orange) | 1 | 69-86 | 3860348 | 03-125 |
| n/i | Gear, speedo driven (large od) 35T with plastic shaft (orange) | 1 | 69-86 | 9780387 | 03-128 |
| n/i | Gear, speedo driven (large od) 36T with plastic shaft (natural) | 1 | 69-86 | 1359270 | 03-132 |
| n/i | Gear, speedo driven (large od) 37T with plastic shaft (red) | 1 | 69-86 | 1359271 | 03-136 |
| n/i | Gear, speedo driven (large od) 38T with plastic shaft (blue) | 1 | 69-86 | 1359272 | 03-140 |
| n/i | Gear, speedo driven (large od) 39T with plastic shaft (brown) | 1 | 69-86 | 1359273 | 03-144 |
| n/i | Gear, speedo driven (large od) 40T with plastic shaft (black) | 1 | 69-86 | 13620748 | 03-148 |
| n/i | Gear, speedo driven (large od) 41T with plastic shaft (yellow) | 1 | 69-86 | 1359197 | 03-152 |
| n/i | Gear, speedo driven (large od) 42T with plastic shaft (green) | 1 | 69-86 | 1362049 | 03-156 |
| n/i | Gear, speedo driven (large od) 43T with plastic shaft (blue) | 1 | 69-86 | 1362196 | 03-160 |
| n/i | Gear, speedo driven (large od) 44T with plastic shaft (gray) | 1 | 69-86 | 9780470 | 03-164 |
| n/i | Gear, speedo driven (large od) 45T with plastic shaft (light green) | 1 | 69-86 | 9775187 | 03-168 |
| n/i | Gear, speedo drive 7T on output shaft (pink) | 1 | 69-86 | 6271537 | 02-202 |
| n/i | Gear, speedo drive 8T on output shaft (orange) | 1 | 69-86 | 6261784 | 02-204 |
| n/i | Gear, speedo drive 17T on output shaft (red) | 1 | 69-86 | 8640464 | 02-206 |
| n/i | Gear, speedo drive 18T on output shaft (green) | 1 | 69-86 | 1242873 | 02-208 |
| n/i | Gear, speedo drive 8T on output shaft (black) | 1 | 69-86 | 6261783 | 02-210 |
| n/i | Gear, speedo drive 9T on output shaft (green) | 1 | 69-86 | 8640246 | 02-212 |
| n/i | Gear, speedo drive 10T on output shaft (purple) | 1 | 69-86 | 6261785 | 02-214 |
| n/i | Gear, speedo drive 17T on output shaft (gray) | 1 | 69-86 | 6260038 | 02-216 |
| n/i | Gear, speedo drive 18T on output shaft (green) | 1 | 69-86 | 6260037 | 02-218 |
| n/i | Gear, speedo drive 19T on output shaft (natural) | 1 | 69-86 | 8640188 | 02-220 |
| n/i | Gear, speedo drive 20T on output shaft (brown) | 1 | 69-86 | 8640189 | 02-222 |
| n/i | Gear, speedo drive 15T on output shaft (gray) | 1 | 69-86 | 8642620 | 02-224 |
| n/i | Housing, speedo Chevrolet (small diameter)(7/8" steel) | 1 | 69-86 | 345215 | 04-188 |
| n/i | Housing, speedo 36-39T large diameter (2-1/16" aluminum) | 1 | 69-86 | 25512340 | 04-190 |
| n/i | Housing, speedo 40-43T large diameter (2-1/16" aluminum) | 1 | 69-86 | 25512339 | 04-192 |
| n/i | Housing, speedo 34-39T large diameter (2-1/16" plastic) | 1 | 69-86 | 1247226 | 04-194 |
| NOTES | | | | | |
| | | | | | |
| | | | | | |
| | | | | | |
| | | | | | |
| | | | | | |
| | | | | | |
| | | | | | |
| | | | | | |
| | | | | | |
| | | | | | |
| | | | | | |
| | | | | | |
| | | | | | |
| | | | | | |
| | | | | | |
| | | | | | |
| | | | | | |
| | | | | | |
| | | | | | |
| | | | | | |



TH400/3L80/375/475
34000D

| ILL | DESCRIPTION | QTY | YEAR | REFERENCE # | PART # |
|--------------------------------------|---|-----|-------|-------------|------------|
| TECHNICAL MANUALS | | | | | |
| K53 | Tech manual TH400 3L80 dis/assembly diagnosis/troubleshooting | 1 | 64-93 | 83-400TM | 010-307 |
| REBUILDER KITS | | | | | |
| K4 | Master deluxe rebuild kit TH400 | 1 | 65-93 | AE | K3400D-R |
| K4 | Master deluxe rebuild kit TH425 | 1 | 66-78 | AE | K3400B-R |
| K4 | Master deluxe rebuild kit TH400 (high performance) | 1 | 64-93 | AE | H3400D-R |
| K4 | Master deluxe rebuild kit TH400 (w/waffle clutches) | 1 | 65-93 | AE | K3400W-R |
| K5 | Master kit w/steels TH400 | 1 | 65-93 | AE | K3400D |
| K5 | Master kit w/steels w/short ring kit TH400 | 1 | 65-93 | AE | K3400DS |
| K5 | Master kit w/steels TH425 | 1 | 66-78 | AE | K3400B |
| K5 | Master kit w/steels TH400 (w/waffle clutches) | 1 | 65-93 | AE | K3400W |
| K6 | Master kit w/o steels TH400 | 1 | 65-93 | AE | K3400D-LS |
| K6 | Master kit w/o steels w/short ring kit TH400 | 1 | 65-93 | AE | K3400DS-LS |
| K6 | Master kit w/o steels TH425 | 1 | 66-78 | AE | K3400B-LS |
| K6 | Master kit w/o steels TH400 (w/waffle clutches) | 1 | 65-93 | AE | K3400W-LS |
| K7 | O/H gasket set w/seals-rings TH400 | 1 | 65-93 | AE | K34900D |
| K7 | O/H gasket set w/seals-rings TH400 (w/short ring kit) | 1 | 65-93 | AE | K34900DS |
| K7 | O/H gasket set w/seals-rings TH425 | 1 | 66-78 | AE | K34900B |
| K8 | External seal kit TH400 | 1 | 65-93 | AE | K34900-2 |
| K11 | Gasket and seal kit TH400 | 1 | 65-93 | AE | K34900D-1 |
| K11 | Gasket and seal kit TH425 | 1 | 66-78 | AE | K34900B-1 |
| VALVE BODY KITS | | | | | |
| K15 | Shift Kit®, corrects soft shifts 3rd clutch burn up | 1 | 65-93 | SK® 400 | K34908 |
| K15 | Shift Kit®, corrects soft shifts TH425 all/TH400 64 only (3rd cl burn up) | 1 | 66-78 | SK® 425 | K34908A |
| K15 | Reverse cushion kit corrects harsh reverse | 1 | 65-93 | 400RK™ | K34908B |
| K15 | Reprogramming Kit™ Stick Shift converts to manual | 1 | 65-93 | 400-3 | 400-3 |
| K15 | Reprogramming Kit™ Tow or Go® competition combo | 1 | 65-93 | 400-1 and 2 | 400-2 |
| K15 | Reprogramming Kit™ ProRace heavy duty TH400 | 1 | 65-93 | 400-PRO | 400-PRO |
| K15 | Shift point package TH400 (governor calibration) | 1 | 64-93 | K018 | 34964 |
| K15 | Shift correction pkg soft late shifts/2-3 harsh rev/HD SR prevent case damage | 1 | 65-93 | K400 | S34908 |
| K15 | Kit, valve body soft shifts 3rd clutch burn up (5 kits in 1) | 1 | 65-93 | TL-400-5 | TL-400-5 |
| K15 | Shift Improver Kit HD/street and strip performance | 1 | 65-87 | 20260 | 114-20260 |
| K15 | Shift Improver Kit HD/street and strip performance | 1 | 88-93 | 20261 | 114-20261 |
| K15 | Transpak™ heavy duty-ProRace TH400 (full manual control) | 1 | 65-87 | 20228 | 114-20228 |
| K15 | Manual pak TH400 (full manual control) | 1 | 68-87 | 20219 | 114-20219 |
| GASKETS AND RUBBER COMPONENTS | | | | | |
| F1 | Gasket, oil pan TH400 (neoprene/cork) | 1 | 64-93 | 8655625 | 3893LX |
| F1 | Gasket, oil pan TH400 (Duraprene®) | 1 | 64-93 | 8655625 | 3893D |
| G1 | Gasket, oil pan TH425 (neoprene/cork) | 1 | 68-78 | 8626932 | 13270X |
| G1 | Gasket, oil pan TH425 (Duraprene®) | 1 | 68-78 | 8626932 | 13270D |
| A2 | Gasket TH400 (pump stator to case) | 1 | 64-93 | 8623978 | 3994L |
| G2 | Gasket TH425 (sprocket cover)(neoprene/cork) | 1 | 68-78 | 8625031 | 13269X |
| A3 | Seal, lathe cut TH400 (pump body to case) | 1 | 64-93 | 6261413 | 3877L |
| G3 | Seal, lathe cut TH425 (pump body to case) | 1 | 68-78 | 8625007 | 13273 |
| A4 | Washer, coated TH400 (pump bolts) | 6/8 | 64-87 | 8626281 | 13268A |
| A4 | O'ring TH400 (pump bolts) | 8 | 88-93 | 8654341 | 13268B |
| E5 | Gasket TH400 (extension housing) | 1 | 65-93 | 8624709 | 13271 |
| E5 | Gasket TH425 (final drive) | 1 | 68-78 | 389948 | 13303 |
| A6 | Seal, beveled TH400 (forward clutch center) | 1 | 77-81 | 8627690 | 13322 |
| AB6 | Lip seal TH400 (direct clutch center) | 2 | 65-93 | 8623121 | 3284L |
| AB7 | Lip seal TH400 (forward and direct clutch outer) | 2 | 64-93 | 8623101 | 3643L |
| AB8 | Lip seal TH400 (forward and direct clutch inner) | 2 | 64-93 | 8623102 | 3956L |
| C9 | Lip seal TH400 (intermediate clutch inner) | 1 | 64-93 | 8627627 | 3963L |
| C10 | Lip seal TH400 (intermediate clutch outer) | 1 | 64-93 | 8623143 | 3962L |

TH400•400•3L80•TH375•TH425

TH400•3L80•375•425

| ILL | DESCRIPTION | QTY | YEAR | REFERENCE # | PART # |
|--|---|-----|-------|--------------|-----------|
| GASKETS AND RUBBER COMPONENTS (CONTINUED) | | | | | |
| F11 | O'ring TH400 (filler tube to case) | 1 | 64-78 | 6264902 | 3291L |
| F11 | Multi lip seal (boot) TH400 (filler tube to case) | 1 | 79-93 | 1259475 | 13925 |
| F12 | Seal, lathe cut TH400 (reverse servo piston) | 1 | 64-93 | 8623430 | 3921L |
| F13 | Gasket TH400 (rear servo cover) | 1 | 64-93 | 8623174 | 3916L |
| G14 | Gasket TH425 (spacer to valve body lower) | 1 | 68-78 | 8625205 | 13276 |
| F14 | Gasket TH400 (spacer to valve body) | 1 | 65-93 | 8670392 | 3992L |
| F15 | Gasket TH400 (spacer to case) | 1 | 65-87 | 8670393 | 3993L |
| F15 | Gasket TH400 (spacer to case) | 1 | 87-93 | 8670458 | 3993AL |
| G15 | Gasket TH425 (spacer to case upper) | 1 | 66-78 | 8625203 | 13275 |
| F16 | Gasket TH400 (solenoid valve metal) | 1 | 64-93 | 8623741 | 3913L |
| F17 | Gasket TH400 (governor cover) | 1 | 64-93 | 8670381 | 3914L |
| G17 | Seal, lathe cut TH425 (governor cover) | 1 | 68-78 | 381580-S94 | 13304 |
| F19 | O'ring case connector and modulator to case | 2 | 64-93 | 8619568 | 3410L |
| FG20 | O'ring TH400 (oil filter to intake tube) | 1 | 64-93 | 1363951 | 3547L |
| E24 | O'ring TH400 (output shaft) | 1 | 64-93 | 8616504 | 3267L |
| F25 | O'ring TH425 (speedo sleeve) | 1 | 66-78 | 8622076 | 3718L |
| F25 | O'ring TH400 (speedo sleeve) | 1 | 64-93 | 1359319 | 3126L |
| n/i | Hose, vacuum (90°) TH400 (modulator hose) | 1 | 64-93 | C1AZ-7B087-E | 13566 |
| n/i | O'ring TH400 (selector shaft-manual shaft) | 1 | 64-67 | 8621767 | 3302L |
| n/i | Cup, plug TH400 (park pawl) | 1 | 64-93 | 8620318 | 13970 |
| n/i | Lip seal w/spring TH400 (speedo) | 1 | 64-93 | 25519078 | 3991L |
| n/i | Lip seal w/o spring TH400 (speedo) | 1 | 64-93 | 3869910 | 3991LS |
| METAL CLAD SEALS | | | | | |
| A26 | Seal, metal clad TH400 (front) | 1 | 64-93 | 8670283 | 38151A |
| E27 | Seal, metal clad (w/flange w/o boot) TH400 (extension housing) | 1 | 64-77 | 8655031 | 4743C |
| E27 | Seal, metal clad (w/flange) extension housing 32spl output shaft | 1 | 65-93 | 8626009 | 34743D |
| E27 | Seal, metal clad 60x38x12mm TH375 (extension housing) | 1 | 72-76 | 3871649 | 8850B |
| E27 | Seal, metal clad (w/flange) TH475 (extension housing with brake drum) | 1 | 88-93 | 8655032 | 205-21111 |
| n/i | Seal, metal clad TH400 (manual lever shaft) | 1 | 64-93 | 8623056 | 38511 |
| SEALING RINGS | | | | | |
| K10 | Kit, sealing ring (10 rings, metal) TH400/TH425 | 1 | 64-93 | AE | K34901A |
| K10 | Kit, sealing ring (10 rings, teflon) TH400 | 1 | 64-93 | AE | K34901T |
| K10 | Kit, sealing ring (6 rings, metal) TH400/TH425 | 1 | 64-93 | AE | K34406 |
| AC28 | Ring, sealing (metal) TH400 (pump stator and center support) | 6 | 64-88 | 8626356 | 34406 |
| AC28 | Ring, sealing (teflon) TH400 (pump stator and center support) | 6 | 64-93 | 8623148 | 34406T |
| F30 | Ring, sealing (teflon) TH400 (front servo piston) | 1 | 64-93 | 8623653 | 34711T |
| F30 | Ring, sealing front servo (cast iron) | 1 | 64-93 | 8623131 | 34310 |
| F30 | Ring, sealing (cast iron) TH400 (front servo piston) | 1 | 64-93 | 8623653 | 34711 |
| F31 | Ring, sealing (teflon) TH400 (accumulator piston inner) | 1 | 64-93 | 8625773 | 34710AT |
| F31 | Ring, sealing (cast iron) TH400 (accumulator piston inner) | 1 | 64-93 | 8625773 | 34710A |
| F32 | Ring, sealing TH400 (accumulator piston outer) | 1 | 65-70 | 8623672 | 34710B |
| F32 | Ring, sealing (teflon) TH400 (accumulator piston outer) | 1 | 71-93 | 8627153 | 34712T |
| F32 | Ring, sealing TH400 (cast replaces teflon) | 1 | 71-93 | 8627153 | 34712S |
| F33 | Ring, sealing (cast iron) TH400 (accumulator piston) | 1 | 64-93 | 8623653 | 34711 |
| F33 | Ring, sealing (teflon) TH400 (accumulator piston) | 1 | 64-93 | 8623653 | 34711T |
| n/i | Ring, sealing TH400 (turbine shaft w/variable pitch) | 1 | 66-67 | 8623296 | 34120 |
| CLUTCH PLATES | | | | | |
| B34 | Friction .080" 5.901" od 42T forward/direct clutch (smooth) | 10 | 64-90 | 8655619 | 34304 |
| B34 | Friction .080" 5.901" od 42T forward/direct clutch (tan grooved) | 10 | 64-90 | 8624198 | 34304A |
| B34 | Friction .080" 5.901" od 42T forward/direct clutch (green waffle) | 10 | 64-90 | 8625300 | 34304W |
| B34 | Friction .080" 5.901" od 42T forward/direct clutch (high performance) | 10 | 64-90 | 8623483HP | 34304H |
| B34 | Friction .061" 5.901" od 42T forward/direct clutch (Red Eagle) | ar | 64-93 | n/a | 34304X |
| B35 | Steel .077" 4.585" id 12T forward clutch | 4 | 65-90 | 8623849 | 34305A |

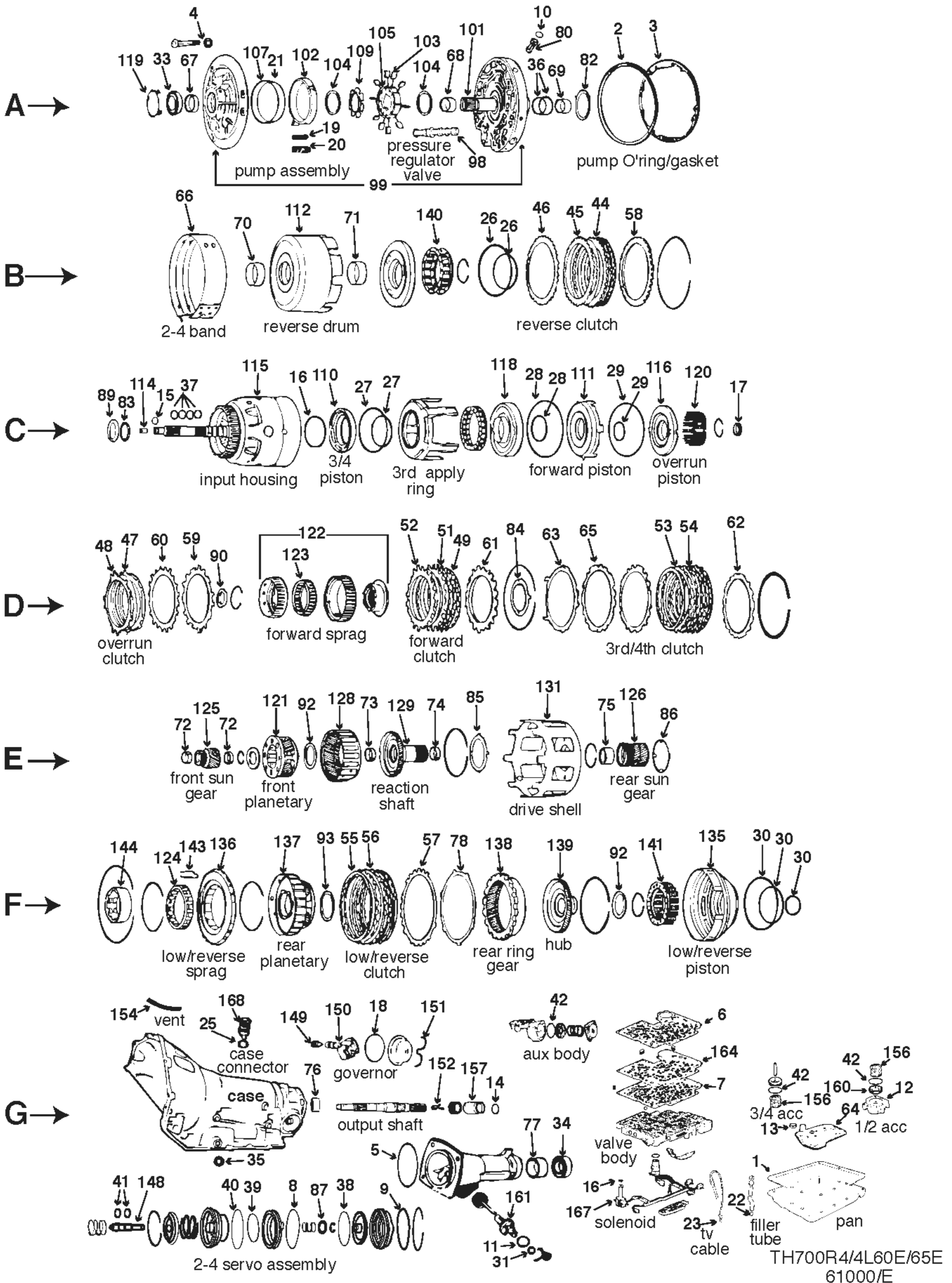
| ILL | DESCRIPTION | QTY | YEAR | REFERENCE # | PART # |
|----------------------------------|---|-----|-------|-------------|----------|
| CLUTCH PLATES (CONTINUED) | | | | | |
| B35 | Steel .077" 4.585" id 12T (Kolene®) forward clutch | 4 | 65-90 | 8623849 | 34305AK |
| B35 | Steel .090" 4.585" id 12T forward clutch | 4/8 | 67-93 | 8625197 | 34305C |
| B35 | Steel .090" 4.585" id 12T (Kolene®) direct clutch | 4/8 | 67-93 | 8628197 | 34305CK |
| B35 | Steel .060" .090" 4.585" id 12T forward/direct clutch | ar | 64-93 | n/a | 34305 |
| C36 | Friction .080" 6.557" od 47T intermediate clutch (tan smooth-wavey) | 3 | 64-90 | 8655620 | 34404 |
| C36 | Friction .080" 6.557" od 47T intermediate clutch (green waffle) | 3 | 64-90 | 8623151 | 34404A |
| C36 | Friction .080" 6.561" od 47T intermediate clutch (high performance) | 3 | 64-93 | 8623151HP | 34404H |
| C37 | Steel .070" 5.000" id 21T (waved) intermediate clutch (cushion) | ar | 66-93 | 8624199 | 34420 |
| C37 | Steel .100" 5.000" id 21T intermediate clutch | 3 | 64-90 | 8655621 | 34405 |
| C37 | Steel .100" 5.000" id 21T (Kolene®) intermediate clutch | 3 | 64-93 | 8623150 | 34405K |
| C37 | Steel .063" 5.000" id 21T intermediate clutch (undersized) | ar | 64-93 | 8623150US | 34405X |
| B40 | Steel, waved .060" forward/irect clutch (cushion) | 1/2 | 65-90 | 8623851 | 34305B |
| B40 | Steel, dished .055" forward/direct clutch (cushion) | 2 | 64-93 | 8625196 | 34305D |
| PRESSURE PLATES | | | | | |
| B38 | Pressure plate direct clutch | 1 | 64-93 | 8661575 | 34421-R |
| C39 | Pressure plate .435" intermediate clutch | 1 | 64-93 | 8623152 | 34422-R |
| B41 | Pressure plate forward clutch (also direct clutch hub) | 1 | 64-93 | 8661837 | 34416-R |
| FILTERS | | | | | |
| K9 | Kit, filter (1st type w/tube) TH400 (Duraprene®) | 1 | 64-67 | 6438346 | DK34661 |
| K9 | Kit, filter (2nd type dacron flat) TH400 (Duraprene®) | 1 | 67-93 | AE | DK34661A |
| K9 | Kit, filter (2nd type brass flat) TH400 (Duraprene®) | 1 | 67-93 | AE | DK34661S |
| K9 | Kit, filter TH425 (Duraprene®) | 1 | 66-78 | AE | DK34661B |
| K9 | Kit, filter (1st type w/tube) TH400 (neoprene/cork) | 1 | 64-67 | 6438346 | FK34661 |
| K9 | Kit, filter (2nd type dacron flat) TH400 (neoprene/cork) | 1 | 67-93 | AE | FK34661A |
| K9 | Kit, filter (2nd type brass flat) TH400 (neoprene/cork) | 1 | 67-93 | AE | FK34661S |
| K9 | Kit, filter TH425 (neoprene/cork) | 1 | 66-78 | AE | FK34661B |
| F42 | Filter (1st type w/tube) TH400 | 1 | 64-67 | 5579822 | 34661 |
| F42 | Filter (2nd type dacron flat) TH400 | 1 | 67-93 | 8637741 | 34661A |
| F42 | Filter (2nd type brass flat) TH400 | 1 | 67-93 | AE | 34661S |
| G41 | Filter, w/tube TH425 | 1 | 66-78 | 6438336 | 34661B |
| n/i | Screen, filter TH400 (governor) | 1 | 64-93 | 8627509 | 34713 |
| MODULATORS | | | | | |
| E43 | Modulator, single red stripe adj 12-19.5 eda 1.7 sq inch dia | 1 | 64-72 | 3035519 | 38820S |
| E43 | Modulator, dual red stripe TH400 | 1 | 64-93 | 8683187 | 38820E |
| E43 | Modulator, black/red stripe adj 12-19.5 eda 2.4 sq inch dia | 1 | 73-93 | 3035518 | 35820F |
| BANDS | | | | | |
| C44 | Band 1" wide TH400 (front) | 1 | 64-93 | 8629531 | 34325 |
| C44 | Band (heavy duty) TH400 (front) | 1 | 64-93 | 8629531HD | 34325HD |
| D45 | Band (double wrap) TH400 (rear) | 1 | 64-93 | 24200468 | 34510 |
| D45 | Band (double wrap) TH400 (rear) | 1 | 64-93 | 8623155 | 34510-R |
| BUSHINGS | | | | | |
| K13 | Bushing kit including 34005B extension bushing | 1 | 66-76 | AE | K34903 |
| A46 | Bushing (babbit) TH400 (pump body) | 1 | 64-93 | 8623940 | 8005 |
| AD47 | Bushing (not in kit) TH400 (stator) | 2+2 | 64-93 | 8623944 | 34002 |
| E49 | Bushing (wide) TH400 (output shaft) | 1 | 64-74 | 8623943 | 34004 |
| E49 | Bushing TH400 (output shaft) | 1 | 74-93 | 8624988 | 34004A |
| C50 | Bushing TH400 (center support) | 1 | 64-93 | 8623942 | 34003 |
| E51 | Bushing TH400 (case) | 1 | 64-93 | 8623941 | 34006 |
| E52 | Bushing 1.795" od .875" wide Cadillac (extension housing) | 2 | 65-67 | 8618167 | 19002A |
| E52 | Bushing 1.995" od 1.5" w (large) TH400 (extension housing) | 1 | 65-76 | 8623966 | 34005A |
| E52 | Bushing 1.995" od 1.0" w (large) TH400 (extension housing) | 1/2 | 66-93 | 8626901 | 34005B |
| E52 | Bushing (babbit) 1.626" od TH375 (extension housing) | 1 | 72-76 | 6260048 | 8008A |
| D53 | Bushing TH400 (planetary/carrier) | 1 | 64-93 | 8623192 | 34008 |

TH400•400•3L80•TH375•TH425

TH400•3L80•375•425

| ILL | DESCRIPTION | QTY | YEAR | REFERENCE # | PART # |
|-------------------------------------|---|-----|-------|-------------|----------|
| BUSHINGS (CONTINUED) | | | | | |
| n/i | Bushing (not in kit) | 1 | 64-93 | 30104A | 30104A |
| WASHERS/BEARINGS/RACES/SHIMS | | | | | |
| K12 | Kit, thrust bearing | 1 | 64-93 | AE | K34907A |
| K15 | Kit, rear case bearing | 1 | 65-93 | TL-400-BK | TL400-BK |
| K14 | Kit, thrust washer | 1 | 64-93 | AE | K34907 |
| A54 | Washer, thrust (metal) .062" yellow | sel | 64-93 | 8623300 | 34208 |
| A54 | Washer, thrust (metal) .073" blue | sel | 64-93 | 8623301 | 34208A |
| A54 | Washer, thrust (metal) .084" red | sel | 64-93 | 8623302 | 34208B |
| A54 | Washer, thrust (metal) .095" brown | sel | 64-93 | 8623303 | 34208C |
| A54 | Washer, thrust (metal) .106" green | sel | 64-93 | 8623304 | 34208D |
| A54 | Washer, thrust (metal) .117" black | sel | 64-93 | 8623305 | 34208E |
| A54 | Washer, thrust (metal) .128" purple | sel | 64-93 | 8623306 | 34208F |
| E55 | Washer, thrust (metal) .060" (4 tabs) | 2 | 64-93 | 8626372 | 32406 |
| E55 | Washer, thrust (plastic) .060" (4 tabs) | 2 | 64-93 | 8626372 | 32406A |
| E57 | Washer, thrust (metal) .075"-.078" | sel | 64-93 | 8625401 | 34601 |
| E57 | Washer, thrust (metal) .082"-.086" | sel | 64-93 | 8625402 | 34601A |
| E57 | Washer, thrust (metal) .090"-.094" | sel | 64-93 | 8625403 | 34601B |
| E57 | Washer, thrust (metal) .098"-.102" | sel | 64-93 | 8625404 | 34601C |
| E57 | Washer, thrust (metal) .106"-.110" | sel | 64-93 | 8625405 | 34601D |
| E57 | Washer, thrust (metal) .114"-.118" | sel | 64-93 | 8625406 | 34601E |
| E57 | Washer, thrust (case saver) | 1 | 64-93 | 34270T | 34601X |
| C58 | Washer, thrust (metal) | 1 | 64-93 | 8623211 | 34401 |
| B59 | Washer, thrust (metal) | 1 | 64-93 | 8624196 | 34339 |
| B60 | Thrust washer (metal) | 1 | 64-93 | 8624781 | 34301 |
| D61 | Bearing, thrust (3 piece) | 1 | 64-93 | 8623920 | 34920 |
| D62 | Bearing, thrust (3 piece) | 1 | 64-93 | 8623921 | 34921 |
| D63 | Bearing, thrust (3 piece) | 1 | 64-93 | 8623922 | 34922 |
| PUMP PARTS AND PUMPS | | | | | |
| A65 | Pump, assembly (variable pitch) | 1 | 65-67 | AE | 34200-R |
| A65 | Pump, assembly (non variable pitch) | 1 | 65-90 | AE | 34200B-R |
| A65 | Pump, assembly | 1 | 71-93 | AE | 34200C-R |
| H66 | Pump, body w/gears | 1 | 66-78 | AE | 32200D-R |
| A67 | Gear set, pump .725" | 1 | 64-93 | AE | K35201 |
| A67 | Gear set, pump .727" | 1 | 64-93 | AE | K35201B |
| HARD PARTS | | | | | |
| C68 | Support, center | 1 | 64-66 | n/a | 34846-R |
| C68 | Support, center | 1 | 67-89 | 8625990 | 34846A-R |
| C68 | Support, center | 1 | 90-93 | 8680914 | 34846B-R |
| F71 | Governor assembly (2nd type) | 1 | 64-93 | 8623852 | 34410 |
| F71 | Governor assembly (2nd type) | 1 | 64-93 | 8623852 | 34410-R |
| G72 | Governor assembly | 1 | 66-78 | 8626853 | 34410A-R |
| F73 | Kit, governor gear | 1 | 64-93 | 8623924 | K34411 |
| H73 | Kit, governor gear | 1 | 64-93 | 8624939 | K34411A |
| C74 | Snap ring (spiral) | 1 | 64-93 | n/a | 34418SR |
| D75 | Planetary, output carrier assembly | 1 | 64-93 | 8625957 | 34880-R |
| D75 | Planetary, output carrier assembly | 1 | 66-93 | 8681948 | 34880B-R |
| D76 | Silencer, ring (plastic) | 1 | 64-93 | 8626112 | 34999 |
| D77 | Planetary, reaction carrier assembly | 1 | 64-67 | 8624971 | 34875-R |
| D77 | Carrier, reaction | 1 | 68-93 | 8675627 | 34875A-R |
| D77 | Carrier, reaction (straight cut) | 1 | 66-93 | 24205552 | 34875B-R |
| C78 | Race, outer | 1 | 64-93 | 8629487 | 34839-R |
| C79 | Housing, direct clutch | 1 | 70-93 | 24208745 | 34838-R |
| C79 | Housing, direct clutch (smooth cam) | 1 | 68-93 | 8627435 | 34836-R |

| ILL | DESCRIPTION | QTY | YEAR | REFERENCE # | PART # |
|-------------------------------|---|-----|-------|-------------|----------|
| HARD PARTS (CONTINUED) | | | | | |
| E80 | Shaft, output 4WD Jeep Wagoneer TH400 (12-1/4" course spline) | 1 | 73-93 | 8624900 | 34935E-R |
| E80 | Shaft, output 4WD Chevy (6 1/4") | 1 | 74-79 | 8679978 | 34655-R |
| E80 | Shaft, output w/bolt on yoke (9 1/4") | 1 | 79-93 | 8679974 | 34935B-R |
| E80 | Shaft, output 4WD Chevy (7 1/4") | 1 | 77-93 | 88679991 | 34935C-R |
| E80 | Shaft, output 4WD conversion 6 1/4" for 700-R4 to TH400 | 1 | 74-79 | n/a | 34655C-R |
| F81 | Spring, rear accumulator (yellow) | 1 | 67-82 | 8625426 | 34706B |
| F81 | Spring, rear accumulator (blue) | 1 | 67-93 | 8624256 | 34706 |
| F81 | Spring, rear accumulator (plain) | 1 | 65-93 | 8623667 | 34706A |
| E82 | Clip, speedo drive gear | 1 | 67-93 | 8626089 | 34226 |
| D83 | Shaft, sun gear | 1 | 64-78 | 8623177 | 34872-R |
| D83 | Shaft, sun gear | 1 | 79-93 | 8679955 | 34872A-R |
| G84 | Chain, drive | 1 | 66-78 | HV-001 | 34417 |
| F85 | Piston, front accumulator TH400 (aluminum) | 1 | 65-93 | 8626883 | 34707 |
| D86 | Gear, sun | 1 | 64-78 | n/a | 34873-R |
| D86 | Gear, sun | 1 | 79-93 | 8626807 | 34873A-R |
| D86 | Gear, sun (straight cut) | 1 | 66-93 | 8627130 | 34873B-R |
| D87 | Mainshaft | 1 | 64-93 | 8681951 | 34871-R |
| D88 | Gear, rear ring | 1 | 64-93 | 8683770 | 34874-R |
| D88 | Gear, rear ring (straight cut) | 1 | 64-96 | 8683771 | 34874B-R |
| B89 | Hub (cast) | 1 | 65-93 | 8677091 | 34870A-R |
| F90 | Pan, deep | 1 | 65-93 | 8655020 | 8655020 |
| F91 | Vent tube (plastic) | 1 | 65-93 | 8633408 | 96-189 |
| n/i | Filler tube repair | 1 | 64-93 | M99100A | 96-140A |
| n/i | Bolt, deep pan | 1 | 68-93 | 8633208 | 8633208 |
| n/i | Spacer, deep pan | 1 | 68-93 | 8629523 | 8629523 |
| n/i | Tube, deep pan pick-up | 1 | 68-93 | 8629526 | 8629526 |
| n/i | VB spacer plate | 1 | 87-93 | 8655887 | 8655887 |
| n/i | Piston, 5-clutch w/o ball (aluminum) .650"-.690" thickness | 1 | 64-93 | AE | 34515-R |
| n/i | Piston, 5-clutch w/ball (aluminum) .650"-.690" thickness | 1 | 64-93 | AE | 34517-R |
| n/i | Piston, intermediate clutch (aluminum) | 1 | 64-93 | AE | 34519-R |
| ELECTRICAL COMPONENTS | | | | | |
| F141 | Solenoid, detent (short wire) TH400 (mounts on valve body) | 1 | 64-93 | 8629935 | 5A-100 |
| F142 | Connector, case (1 prong) | 1 | 64-64 | 2977975 | 5A-101 |
| F142 | Connector, case (2 prongs) | 1 | 65-67 | 2984091 | 5A-101A |
| F142 | Connector, case (1 prong) | 1 | 68-69 | 8629503 | 5A-101B |
| F142 | Connector, w/insulation 1970-72 | 1 | 70-82 | 8629502 | 5A-102 |
| n/i | Solenoid TH400/425 (stator control mounts on pump) | 1 | 65-67 | 1993690 | 5A-99 |
| n/i | Sensor, vehicle speed | 1 | 88-93 | 8655291 | 05-105 |
| SPRAGS | | | | | |
| C69 | Sprag (cage type)(heavy duty 34 elements) | 1 | 64-93 | 425-400-18 | 34418X |
| C69 | Sprag (roller type) | 1 | 71-93 | 8625814 | 34419 |
| D70 | Sprag (roller type) | 1 | 66-93 | 8623842 | 34402A |
| SPEEDO GEARS | | | | | |
| n/i | Gear, speedo 15T (metal) | 1 | 64-90 | 8629548 | 02-226 |
| n/i | Gear, speedo 17T (metal) | 1 | 64-90 | 8629548 | 02-228 |
| n/i | Gear, speedo 18T (metal) | 1 | 64-90 | 8629549 | 02-230 |
| n/i | Gear, speedo 19T (metal) | 1 | 64-90 | 8629550 | 02-232 |
| n/i | Gear, speedo 21T (metal) | 1 | 64-90 | 8679937 | 02-234 |
| n/i | Gear, speedo 20T (plastic) | 1 | 80-90 | n/a | 02-236 |
| n/i | Gear, speedo 16T (metal) | 1 | 64-90 | n/a | 02-238 |
| n/i | Housing, speedo 36-39T | 1 | 64-90 | 1362294 | 04-196 |
| n/i | Housing, speedo 40-45T | 1 | 64-90 | 1362293 | 04-198 |



TH700-R4•700-R4•4L60•4L60E•4L65E•4L70E•4L75E

TH700-R4•4L60•E•65E•70E•75E

| ILL | DESCRIPTION | QTY | YEAR | REFERENCE # | PART # |
|--------------------------|---|-----|-------|---------------|-----------|
| TECHNICAL MANUALS | | | | | |
| K53 | Tech manual TH700-R4 4L60 dis/assembly | 1 | 82-86 | 83-700RTM | 010-309 |
| K53 | Update handbook changes, parts | 1 | 87-88 | 83-700RTM-U1 | 010-311 |
| K53 | Tech manual 4L60 dis/assembly | 1 | 87-93 | 4L60TM | 010-320 |
| K53 | Tech manual 4L60-E dis/assembly | 1 | 93-03 | 83-4L60ETM | 010-316 |
| K53 | Update handbook changes, parts | 1 | 93-03 | 83-4L60ETM-U1 | 010-326 |
| K53 | Diagnostic code book | 1 | 91-07 | ANEWGMCBTM | 010-327 |
| REBUILDER KITS | | | | | |
| K4 | Master deluxe rebuild kit | 1 | 82-84 | AE | K6100-R |
| K4 | Master deluxe rebuild kit | 1 | 84-87 | AE | K6100A-R |
| K4 | Master deluxe rebuild kit | 1 | 87-92 | AE | K6100B-R |
| K4 | Master deluxe rebuild kit (w/o pistons) | 1 | 93-96 | AE | K6100C-R |
| K4 | Master deluxe rebuild kit (w/o pistons) | 1 | 97-06 | AE | K6100D-R |
| K4 | Master deluxe rebuild kit (w/o pistons) | 1 | 01-03 | AE | K6100E-R |
| K4 | Master deluxe rebuild kit (w/o pistons) | 1 | 04-06 | AE | K6100F-R |
| K4 | Master deluxe rebuild kit | 1 | 82-92 | AE | H6100-R |
| K5 | Master kit w/steels | 1 | 82-84 | AE | K6100 |
| K5 | Master kit w/steels | 1 | 84-87 | AE | K6100A |
| K5 | Master kit w/steels | 1 | 87-92 | AE | K6100B |
| K5 | Master kit w/steels (w/o pistons) | 1 | 93-96 | AE | K6100C |
| K5 | Master kit w/steels (w/o pistons) | 1 | 97-06 | AE | K6100D |
| K5 | Master kit w/steels (w/o pistons) | 1 | 01-03 | AE | K6100E |
| K5 | Master kit w/steels (w/o pistons) | 1 | 04-06 | AE | K6100F |
| K6 | Master kit w/o steels | 1 | 82-84 | AE | K6100-LS |
| K6 | Master kit w/o steels | 1 | 84-87 | AE | K6100A-LS |
| K6 | Master kit w/o steels | 1 | 87-92 | AE | K6100B-LS |
| K6 | Master kit w/o steels (w/o pistons) | 1 | 93-00 | AE | K6100C-LS |
| K6 | Master kit w/o steels (w/o pistons) | 1 | 01-03 | AE | K6100E-LS |
| K6 | Master kit w/o steels (w/o pistons) | 1 | 04-06 | AE | K6100F-LS |
| K7 | O/H gasket set w/seals-rings | 1 | 82-92 | AE | K61900 |
| K7 | O/H gasket set w/seals-rings | 1 | 93-03 | AE | K61900A |
| K7 | O/H gasket set w/seals-rings | 1 | 04-06 | AE | K61900F |
| K8 | External seal kit | 1 | 82-10 | AE | K61900-2 |
| K11 | Gasket and seal kit (w/combo VB gaskets) | 1 | 82-92 | AE | K61900-1 |
| K11 | Gasket and seal kit | 1 | 93-10 | AE | K61900A-1 |
| K28 | Kit, 2-4 servo O-rings | 1 | 82-10 | AE | K61900-3 |
| VALVE BODY KITS | | | | | |
| K15 | Shift Kit® system kit-servo/accm/gov/PR | 1 | 82-92 | SK® 700 | K61908 |
| K15 | Shift Kit®-Jr fix sticking TV/3-4 cl fail | 1 | 82-92 | SK® 700-Jr | K61908A |
| K15 | Shift Improving Kit® fix slide bump 1-2 | 1 | 93-04 | SK® 4L60E | K61908E |
| K15 | Heavy duty and high-performance | 1 | 82-92 | 700-2+3 | 700-3 |
| K15 | Heavy duty and high-performance | 1 | 93-05 | 4L60E-HD2 | 4L60E-HD2 |
| K15 | Pressure control vacuum kit | 1 | 93-05 | 46-MOD | K61908M |
| K15 | 700 max throttle 4th shift valve | 1 | 82-88 | 7-4-V | K61989 |
| K15 | Converter conversion valve | 1 | 82-92 | 7-CCV | K61973 |
| K15 | Converter conversion valve | 1 | 93-04 | 4L6-CCV | K61973A |
| K15 | Shift Improver Kit | 1 | 82-92 | 70239 | 114-70239 |
| K15 | Shift Improver Kit | 1 | 93-01 | 70360 | 114-70360 |
| K15 | Shift Improver Kit (light truck) | 1 | 93-01 | 10023 | 114-10023 |
| K15 | Transpak™ | 1 | 82-92 | 70235 | 114-70235 |
| K15 | Transpak™ | 1 | 93-01 | 70365 | 114-70365 |
| K15 | Shift Correction Package | 1 | 82-92 | K700-R4 | S61908 |
| K15 | Shift Correction Package | 1 | 93-97 | K4L60-E | S61908E |
| K15 | Shift Correction Package | 1 | 98-05 | K4L60E-L | S61908F |

TH700-R4•700-R4•4L60•4L60E•4L65E•4L70E•4L75E

TH700-R4•4L60•E•65E•70E•75E

| ILL | DESCRIPTION | QTY | YEAR | REFERENCE # | PART # | |
|--------------------------------------|------------------------------------|--|------|-------------|------------|-------------------|
| VALVE BODY KITS (CONTINUED) | | | | | | |
| K15 | Shift Correction Package | high performance | 1 | 82-92 | K700-R4-HP | K700-R4-HP |
| K15 | Shift point package | governor calibration | 1 | 82-92 | K018 | 34964 |
| K15 | High gear lock-up package | TH700-R4/4L60 | 1 | 82-92 | K013 | K013 |
| GASKETS AND RUBBER COMPONENTS | | | | | | |
| G1 | Gasket, oil pan | TH700-R4/4L60E (neoprene/cork) | 1 | 82-10 | 8642360 | 13960X |
| G1 | Gasket, oil pan | TH700-R4/4L60E (Duraprene®) | 1 | 82-10 | 8654799 | 13960D |
| A2 | Seal, lathe cut | TH700-R4/4L60E (pump body to case) | 1 | 82-04 | 8654716 | 3877L |
| A2 | Seal, stamped steel molded rubber | 4L60E/65E/70E (pump to case)(wedge type) | 1 | 04-10 | 24226315 | 61532 |
| A3 | Gasket, pump | TH700-R4/4L60E (pump to case) | 1 | 82-10 | 8654143 | 13360 |
| A4 | Washer, coated | TH700-R4 (pump bolts) | 7 | 82-86 | 3884683 | 13268A |
| A4 | O'ring | TH700-R4/4L60E/65E/70E (pump bolts) | 7 | 86-10 | 8654341 | 13268B |
| G5 | Seal, lathe cut | TH700-R4/4L60E (extension housing) | 1 | 82-97 | 1358899 | 3896L |
| G5 | Seal, lathe cut | 4L60E/65E/70E (extension housing) | 1 | 96-10 | 24203287 | 3899L |
| G6 | Gasket, valve body (upper) | TH700-R4 (spacer plate to case) | 1 | 82-86 | 8647542 | 13361A |
| G6 | Gasket, valve body (upper) | TH700-R4 (spacer plate to case) | 1 | 87-92 | 8681339 | 13361B |
| G6 | Gasket, valve body (upper) | 4L60E (spacer plate to case) | 1 | 93-00 | 24211921 | 13361C |
| G6 | Gasket, valve body (upper) | 4L60E (spacer plate to case) | 1 | 01-06 | 24211921 | 13361D |
| G6 | Gasket, valve body (upper) | 4L60E/4L65E/4L70E (spacer plate to case) | 1 | 06-09 | BB36484 | 13361E |
| G7 | Gasket, valve body (lower) | TH700-R4 (spacer plate to VB) | 1 | 82-86 | 8647064 | 13362A |
| G7 | Gasket, valve body (lower) | TH700-R4 (spacer plate to VB) | 1 | 87-92 | 8681351 | 13362B |
| G7 | Gasket, valve body (lower) | 4L60E/65E (spacer plate to VB) | 1 | 93-00 | 24211920 | 13362C |
| G7 | Gasket, valve body (lower) | 4L60E/65E (spacer plate to VB) | 1 | 01-06 | 24211920 | 13362D |
| G7 | Gasket, valve body (lower) | 4L60E/4L65E/4L70E (spacer plate to case) | 1 | 06-09 | B36483 | 13362E |
| G8 | O'ring (w/teflon coating) | TH700/4L60E/65E/70E (2-4 servo piston) | 1 | 82-10 | 8642112 | 13363 |
| G9 | O'ring (w/teflon coating) | TH700/4L60E/65E/70E (2-4 servo cover) | 1 | 82-10 | 8647351 | 13579 |
| A10 | O'ring | 700/4L60E/65E/70E (pump screen)(filter) | 1 | 82-10 | 8642581 | 23015 |
| G11 | O'ring (2 1/8" dia) | TH700-R4/4L60E (speedo gear housing) | 1 | 82-92 | 25501478 | 13582 |
| G11 | O'ring .970" | 4L60E/65E (speed sensor except Corvette) | 1 | 93-10 | B17888 | 1025 |
| G12 | Gasket | TH700-R4 (accm housing to spacer plate) | 1 | 82-82 | 8642129 | 13365 |
| G13 | O'ring | TH700-R4 (filter) | 1 | 82-87 | 6264903 | 3410L |
| G13 | Multi lip seal | TH700-R4 (retro w/late filter) | 1 | 88-92 | 8657767 | 13745 |
| G13 | Multi-lip seal (boot) | 4L60E/65E (filter to press in pump) | 1 | 93-10 | 8685775 | 13746 |
| G14 | O'ring | TH700/4L60E (output shaft yoke to sleeve) | 1 | 82-10 | 3764601 | 13538 |
| C15 | O'ring | TH700/4L60E (input shaft and TCC solenoid) | 1/2 | 82-10 | 8630049 | 13917 |
| C15 | O'ring (teflon coated/green) | TH700/4L60E (input shaft 2.2L/2.5L/2.8L) | 1 | 82-04 | 8662686 | 13766 |
| C15 | O'ring (teflon coated) | 4L60E/65E(input shaft to 300m converter) | 1 | 98-10 | 24212987 | 13917A |
| C16 | O'ring | input hsg to forward clutch hsg | 1 | 82-10 | 8673104 | 13349 |
| C17 | Seal, w/external splines (plastic) | TH700-R4 (input housing to output shaft) | 1 | 82-92 | 8642178 | 13598 |
| C17 | Seal, w/external splines (viton) | input housing to output shaft | 1 | 93-10 | 8677268 | 13599 |
| G18 | Seal, lathe cut | TH700-R4 (governor cover) | 1 | 82-92 | 1241734 | 13515 |
| A19 | Seal (rubber) | TH700-R4/4L60E/65E/70E (pump slide) | 1 | 82-10 | 8631283 | 13762 |
| A20 | Seal (teflon) | TH700-R4/4L60E/65E/70E (pump slide) | 1 | 82-10 | 8631877 | 13768 |
| A21 | O'ring | TH700-R4/4L60E/65E/70E (pump slide) | 1 | 82-10 | 8634088 | 13982 |
| G22 | Multi lip seal (boot) | TH700-R4/4L60E/65E/70E (filler tube) | 1 | 82-10 | 1259475 | 13925 |
| G23 | Multi lip seal (boot) | TH700-R4 (detent cable) | 1 | 82-92 | 25518260 | 13581 |
| G25 | O'ring | TH700-R4 (case connector) | 1 | 82-93 | 6264903 | 3410L |
| G25 | O'ring | 4L60E (case connector) | 1 | 93-10 | B15742 | 1024 |
| B26 | Lip seal | TH700-R4 (reverse piston steel outer long) | 1 | 82-87 | 8642057 | 13347 |
| B26 | Lip seal | 4L60/E (reverse piston alum outer long) | 1 | 87-10 | 8663073 | 13347A |
| B26 | Lip seal | TH700-R4/4L60E (reverse piston inner long) | 1 | 82-10 | 8642058 | 13348 |
| C27 | Lip seal | TH700/4L60E (3rd/4th piston inner long) | 1 | 82-94 | 8634134 | 13344 |
| C27 | Lip seal | TH700/4L60E (3rd/4th piston outer long) | 1 | 82-94 | 8642138 | 13343 |
| C28 | Lip seal | TH700/4L60E (forward clutch inner long) | 1 | 82-97 | 8642147 | 13342 |

TH700-R4•700-R4•4L60•4L60E•4L65E•4L70E•4L75E

TH700-R4•4L60•E•65E•70E•75E

| ILL | DESCRIPTION | QTY | YEAR | REFERENCE # | PART # |
|--|---|-----|-------|-------------|---------|
| GASKETS AND RUBBER COMPONENTS (CONTINUED) | | | | | |
| C28 | Lip seal TH700/4L60E (forward clutch outer long) | 1 | 82-97 | 8642146 | 13341 |
| C29 | Lip seal TH700/4L60E (overrun clutch inner long) | 1 | 82-97 | 8642152 | 13346 |
| C29 | Lip seal TH700/4L60E (overrun clutch outer long) | 1 | 82-97 | 8642151 | 13345 |
| F30 | Seal, lathe cut low/reverse piston center | 1 | 82-10 | 8663772 | 13536 |
| F30 | Seal, lathe cut TH700/4L60E/65E (low/reverse piston inner) | 1 | 82-10 | 3812830 | 3773L |
| F30 | Seal, lathe cut TH700/4L60E/65E (low/reverse piston outer) | 1 | 82-10 | 8663771 | 3774L |
| G31 | Lip seal w/o spring TH700-R4 (speedo driven gear w/o spring) | 1 | 82-92 | 1240382 | 3991LS |
| G31 | Lip seal w/spring TH700-R4 (speedo driven gear w/spring) | 1 | 82-92 | 1240382HD | 3991L |
| G42 | Seal, lathe cut (beveled) 4L60E (1-2/3-4 accm and aux VB piston) | 3 | 87-10 | 24206509 | 13965 |
| G42 | Seal, lathe cut 4L60E/65E/70E (forward accumulator) | 1 | 93-10 | 24206508 | 13965A |
| n/i | Ball, check (1/4" steel) TH700-R4/4L60E/65E/70E | 9 | 82-10 | 147485 | 13924S |
| n/i | O'ring 3/8" line 4L60E (cooler line fittings) | 2 | 93-97 | 6034493 | 1077 |
| METAL CLAD SEALS | | | | | |
| A33 | Seal, metal clad TH700-R4/4L60E/65E/70E (front) | 1 | 82-10 | 8657116 | 61151A |
| G34 | Seal, metal clad 60x38x12mm TH700-R4/4L60E/65E (extension housing) | 1 | 82-06 | 1243402 | 8850B |
| G34 | Seal, metal clad 4L60E/65E (adapter housing) 4WD | 1 | 06-10 | 97287358 | 22978 |
| G35 | Seal, metal clad TH700-R4/4L60E/65E (manual lever shaft) | 1 | 82-06 | 8623056 | 38511 |
| A119 | Retainer, seal TH700-R4/4L60E/65E/70E (front) | 1 | 82-10 | 8654491 | 61991 |
| n/i | Seal, metal clad 4L60E/65E/70E (Corvette only/rear case) | 1 | 97-10 | 24207010 | 61152 |
| SEALING RINGS | | | | | |
| K10 | Kit, sealing ring (teflon) TH700-R4/4L60E/65E/70E (combo) | 1 | 82-10 | AE | K61903T |
| K10 | Kit, sealing ring (metal) TH700-R4 | 1 | 82-92 | AE | K61903 |
| A36 | Ring, sealing (teflon) TH700-R4 (pump stator) | 2 | 82-10 | 8628055 | 32300T |
| A36 | Ring, sealing (teflon)(solid) 4L60E/65E/70E (pump stator) | 2 | 92-10 | 8681292 | 61300T |
| C37 | Ring, sealing (metal)(not included) TH700-R4 (input shaft/step joint) | 4 | 82-92 | 8667035 | 61301 |
| C37 | Ring, sealing (teflon)(solid) TH700-R4/4L60E/65E (input shaft) | 4 | 82-10 | 8667035 | 61301T |
| G38 | Ring, sealing (teflon) 4th apply piston outer | 1 | 82-10 | 8642480 | 61302T |
| G38 | Ring, sealing (metal)(not included) 4th apply piston outer | 1 | 82-10 | 8642480 | 61302 |
| G39 | Ring, sealing (teflon) 2nd apply piston inner | 1 | 82-10 | 8642084 | 61305T |
| G39 | Ring, sealing (metal)(not included) 2nd apply piston inner | 1 | 82-10 | 8642084 | 61305 |
| G39 | Ring, sealing (teflon) 2nd apply piston inner | 1 | 82-10 | 8642458 | 61303T |
| G39 | Ring, sealing (metal)(not included) 2nd apply piston inner | 1 | 82-10 | 8642458 | 61303 |
| G39 | Ring, sealing (teflon) 2nd apply piston inner | 1 | 82-10 | 8642459 | 61306T |
| G39 | Ring, sealing (metal)(not included) 2nd apply piston inner | 1 | 82-10 | 8642459 | 61306 |
| G40 | Ring, sealing (teflon) 2nd apply piston outer | 1 | 82-10 | 8642081 | 61304T |
| G41 | Ring, sealing TH700-R4 (band apply pin) | 2 | 82-92 | 8630120 | 32323T |
| G42 | Ring, sealing (teflon) 1.998" od TH700-R4 (1-2/3-4 accm piston) | 2 | 82-86 | 8634161 | 32302T |
| CLUTCH PLATES | | | | | |
| B44 | Friction .078" 6.040" od 41T TH700-R4 (reverse clutch) | 4 | 82-87 | 8654306 | 61100 |
| B44 | Friction .068" 6.040" od 41T reverse clutch | 4 | 87-10 | 8663079 | 61100A |
| B44 | Friction .078" 6.040" od 41T high performance (reverse clutch) | 4 | 82-10 | 8642063HP | 61100H |
| B45 | Steel .078" 5.085" id 36T reverse clutch | 3/4 | 82-10 | 8642061 | 61101 |
| B45 | Steel .078" 5.085" id 36T (Kolene®) reverse clutch | 3/4 | 82-10 | 8673601 | 61101K |
| B45 | Steel .090" 5.085" id 36T reverse clutch | sel | 82-10 | 8663080 | 61101D |
| B45 | Steel .078" 5.085" id 36T (w/6 holes) reverse clutch | 4 | 97-10 | 24205267 | 61101E |
| B46 | Steel, waved .088" 5.085" id reverse clutch (cushion) | 1 | 82-84 | 8642060 | 61101A |
| B46 | Steel, waved .080" 5.085" id reverse clutch (cushion) | 1 | 84-87 | 8647067 | 61101C |
| B46 | Steel, dished .088" 5.085" id reverse clutch (cushion) | 1 | 87-10 | 8663074 | 61101B |
| D47 | Friction .078" 5.037" od 36T overrun clutch | 2 | 82-10 | 8673253 | 61102 |
| D47 | Friction .078" 5.037" od 36T high performance (overrun clutch) | 2 | 82-10 | 8673253HP | 61102H |
| D48 | Steel .092" 4.262" id 10T overrun clutch | 2 | 82-10 | 8642154 | 61103 |
| D49 | Friction .078" 5.3.15" od 41T TH700-R4 (forward clutch) | 5 | 82-84 | 8647350 | 61104 |
| D49 | Friction .069" 5.3.15" od 41T forward clutch | 5 | 85-10 | 8673254 | 61104A |

TH700-R4•700-R4•4L60•4L60E•4L65E•4L70E•4L75E

TH700-R4•4L60•E•65E•70E•75E

| ILL | DESCRIPTION | | QTY | YEAR | REFERENCE # | PART # |
|----------------------------------|--|---|-----|-------|-------------|----------|
| CLUTCH PLATES (CONTINUED) | | | | | | |
| D49 | Friction .078" 5.3.15" od 41T | high performance (forward clutch) | 5 | 82-10 | 8654324HP | 61104H |
| D51 | Steel .079" 4.255" id 20T | forward clutch | 4 | 82-84 | 8642711 | 61105 |
| D51 | Steel .079" 4.255" id 20T (Kolene®) | forward clutch | 4 | 82-84 | 8642167 | 61105K |
| D51 | Steel .090" 4.255" id 20T | forward clutch | 4 | 85-10 | 8654325 | 61105D |
| D51 | Steel .090" 4.255" id 20T (Kolene®) | forward clutch | 4 | 85-10 | 8654325 | 61105DK |
| D52 | Steel, waved .070" 4.255" id 20T | forward clutch (cushion) | 1 | 82-92 | 8647058 | 61105A |
| D52 | Steel, waved .050" 4.255" id 12T | forward clutch (cushion) | 1 | 93-10 | 8686010 | 61105F-R |
| D53 | Friction .080" 5.745" od 20T | 3/4 clutch | 6 | 82-96 | 8679390 | 61108 |
| D53 | Friction .080" 5.745" od 20T (high energy) | 3/4 clutch | 6 | 97-10 | 24207605 | 61108A |
| D53 | Friction .066" 5.745" od 20T (high energy) | 3/4 clutch | 7 | 01-10 | 24216932 | 61108B |
| D53 | Friction .062" 5.745" od 20T | high performance (3/4 clutch) | 7 | 82-10 | 8654145RHP | 61108H |
| D53 | Friction .062" 5.745" od 20T (commercial) | 3/4 clutch | ar | 82-96 | 8654145COM | 61108X |
| D53 | Friction .062" 5.745" od 20T (high energy) | 3/4 clutch (commercial) | ar | 97-10 | 24207605COM | 61108AX |
| D53 | Kit, friction and steel | 3/4-9 friction-8 steel-1-pressure plate | 1 | 82-10 | 57757B | K61108 |
| D54 | Steel .076" 4.998" id 20T | 3/4 clutch | 5 | 82-92 | 8678053 | 61109 |
| D54 | Steel .076" 4.998" id 20T (Kolene®) | 3/4 clutch | 6 | 82-92 | 8678053 | 61109K |
| D54 | Steel .060" 4.998" id 20T (commercial) | 3/4 clutch | ar | 82-10 | 8663633COM | 61109X |
| D54 | Steel .108" 4.998" id 20T | 3/4 clutch | 5 | 93-10 | 8685045 | 61109E |
| D54 | Steel .108" 4.998" id 20T (Kolene®) | 3/4 clutch | 5 | 93-10 | 8685045 | 61109EK |
| D54 | Steel .095" 4.998" id 20T | 3/4 clutch | 6 | 01-10 | 24216939 | 61109F |
| F55 | Friction .087" 6.463" od 25T | low/reverse clutch | 4/5 | 82-10 | 8641698 | 35109 |
| F55 | Friction .087" 6.463" od 25T | low/reverse clutch (high performance) | 5 | 82-10 | 8641698HP | 35109H |
| F56 | Steel .068" 5.725" id 17T | low/reverse clutch | 5 | 82-10 | 6261120 | 35101 |
| F56 | Steel .070" 5.725" id (w/4 holes) | low/reverse clutch | 5 | 97-10 | 24205268 | 35101E |
| F56 | Steel .089" 5.725" id (w/4 holes) | low/reverse clutch | ar | 97-10 | 24205270 | 35101F |
| F56 | Steel .049" 5.725" id (w/4 holes) | low/reverse clutch | ar | 97-10 | 24205269 | 35101G |
| F56 | Steel .068" 5.725" id 17T (Kolene®) | low/reverse clutch | 5 | 82-10 | 6261120K | 35101K |
| F57 | Steel .097" 5.725" id 17T | low/reverse clutch | 1 | 87-10 | 8667584 | 61716 |
| F57 | Steel .125" 5.725" id 17T | low/reverse clutch | 1 | 87-10 | 8667585 | 61716A |
| F57 | Steel .049" 5.725" id 17T | low/reverse clutch | 1 | 90-10 | 8673548 | 61716B |
| F57 | Steel .089" 5.725" id 17T | low/reverse clutch | 1 | 90-10 | 8673549 | 61716C |
| D63 | Retainer, w/tangs .052" | 3/4 clutch | 1 | 82-92 | 8642171 | 61107A-R |
| F78 | Steel, waved .095" 5.725" id 17T | low/reverse clutch (cushion) | 1 | 87-10 | 8676362 | 61716D |
| PRESSURE PLATES | | | | | | |
| B58 | Pressure plate .250" 6.35mm | reverse clutch | sel | 82-87 | 8663654 | 61714D-R |
| B58 | Pressure plate .240" 6.00-6.15mm | reverse clutch | sel | 87-10 | 8663078 | 61714-R |
| B58 | Pressure plate .260" 6.62-6.77mm | reverse clutch | sel | 87-10 | 8663077 | 61714A-R |
| B58 | Pressure plate .290" 7.24-7.39mm | reverse clutch | sel | 87-10 | 8682864 | 61714B |
| B58 | Pressure plate .310" 7.86-8.01mm | reverse clutch | sel | 87-10 | 8682863 | 61714C |
| D59 | Spacer, aluminum | forward clutch | sel | 82-86 | 8642164 | 61105B-R |
| D60 | Pressure plate .255" 6.44mm | forward apply | 1 | 82-86 | 8642163 | 61106-R |
| D60 | Pressure plate .169" 4.30mm | forward apply | 1 | 87-92 | 24212462 | 61106B-R |
| D60 | Pressure plate .142" 3.60mm | forward apply | 1 | 93-10 | n/a | 61106C-R |
| D61 | Pressure plate .267" 6.75mm | forward backing | 1 | 82-86 | 8642169 | 61105C-R |
| D61 | Pressure plate .207" 5.24mm (stamped D) | forward backing | sel | 87-10 | 24212467 | 61715-R |
| D61 | Pressure plate .230" 5.85mm (stamped C) | forward backing | sel | 87-10 | 24212468 | 61715A-R |
| D61 | Pressure plate .251" 6.46mm (stamped B) | forward backing | sel | 87-10 | 24212469 | 61715B |
| D61 | Pressure plate .277" 7.07mm (stamped A) | forward backing | sel | 87-10 | 24212470 | 61715C |
| D61 | Pressure plate .185" 4.60mm | TH700/4L60E/65E/70E (forward backing) | sel | 87-10 | 24212466 | 61715D |
| D62 | Pressure plate .165" 4.00-4.25mm (#4) | 3/4 backing | sel | 82-86 | 8663659 | 61109D-R |
| D62 | Pressure plate .205" 5.00-5.25mm (#3) | 3/4 backing | sel | 82-86 | 24213591 | 61109C-R |
| D62 | Pressure plate .243" 6.00-6.25mm (#2) | 3/4 backing | sel | 82-86 | 8663657 | 61109B |
| D62 | Pressure plate .280" 7.00-7.25mm (#1) | 3/4 backing | sel | 82-86 | 8663656 | 61109A-R |

TH700-R4•700-R4•4L60•4L60E•4L65E•4L70E•4L75E

TH700-R4•4L60•E•65E•70E•75E

| ILL | DESCRIPTION | QTY | YEAR | REFERENCE # | PART # |
|------------------------------------|--|-----|-------|-------------|----------|
| PRESSURE PLATES (CONTINUED) | | | | | |
| D62 | Pressure plate .160" 3.90-4.10mm 4L60/E (3/4 backing) | 1 | 87-10 | 24212459 | 61721 |
| D62 | Pressure plate .193" 4.79-4.99mm 4L60/E (3/4 backing) | 1 | 87-10 | 24212460 | 61721A |
| D62 | Pressure plate .220" 5.50-5.65mm 4L60/E (3/4 backing) | 1 | 87-10 | 24217516 | 61721B |
| D62 | Pressure plate .230" 5.68-5.88mm 4L60/E (3/4 backing) | 1 | 87-10 | 24212461 | 61721C |
| D62 | Pressure plate .240" 6.05-6.15mm 4L60/E (3/4 backing) | 1 | 87-10 | 24217517 | 61721D |
| D65 | Pressure plate .130" 3.30mm 3/4 apply | 1 | 82-89 | 8642172 | 61107 |
| D65 | Pressure plate .130" 3.30mm (stepped) 3/4 apply | 1 | 87-92 | 8676379 | 61107B-R |
| D65 | Pressure plate .215" 5.51mm (flat w/tangs) 3/4 apply | 1 | 93-10 | 8685044 | 61107C |
| D65 | Pressure plate .160" 4.06mm (stepped) 3/4 apply | 1 | 93-10 | n/a | 61107D-R |
| FILTERS | | | | | |
| K9 | Kit, filter, dacron will retro Duraprene® | 1 | 82-92 | AE | DK61710 |
| K9 | Kit, filter, will retro neoprene/cork | 1 | 82-92 | AE | FK61710 |
| K9 | Kit, filter 4L60E (Duraprene®) | 1 | 93-97 | AE | DK61710A |
| K9 | Kit, filter 4L60E (neoprene/cork) | 1 | 93-97 | AE | FK61710A |
| K9 | Kit, filter Corvette 4L60E/65E (Duraprene®) | 1 | 98-05 | AE | DK61710B |
| K9 | Kit, filter Corvette 4L60E/65E (neoprene/cork) | 1 | 98-05 | AE | FK61710B |
| K9 | Kit, filter (deep pan) 4L60E (Duraprene®) | 1 | 98-03 | AE | DK61710C |
| K9 | Kit, filter (deep pan) 4L60E (neoprene/cork) | 1 | 98-03 | AE | FK61710C |
| K9 | Kit, filter (w/"s" on filter) 4L60E HP (Duraprene®) | 1 | 98-06 | AE | DK61710D |
| K9 | Kit, filter (w/"s" on filter) 4L60E HP (neoprene/cork) | 1 | 98-06 | AE | FK61710D |
| K9 | Kit, filter (deep pan) 4L60E/65E/70E (Duraprene®) | 1 | 04-10 | AE | DK61710E |
| K9 | Kit, filter (deep pan) 4L60E/65E/70E (neoprene/cork) | 1 | 04-10 | AE | FK61710E |
| K9 | Kit, filter (stepped filter) 4L60E/65E/70E (Duraprene®) | 1 | 04-10 | AE | DK61710F |
| K9 | Kit, filter (stepped filter) 4L60E/65E (neoprene/cork) | 1 | 04-10 | AE | FK61710F |
| G64 | Filter TH700-R4 (200-4R type) | 1 | 82-86 | 8642933 | 32710M |
| G64 | Filter, dacron (will retro) TH700-R4 | 1 | 82-92 | 8667689 | 61710 |
| G64 | Filter 4L60E/65E | 1 | 93-10 | 8681082 | 61710A |
| G64 | Filter Corvette (4L60E/65E) | 1 | 98-06 | 24208149 | 61710B |
| G64 | Filter 4L60E (deep pan) | 1 | 98-03 | 24208465 | 61710C |
| G64 | Filter (w/"s" on filter) 4L60E (will retrofit 61710A) | 1 | 98-10 | 24208148 | 61710D |
| G64 | Filter 4L60E (deep pan) | 1 | 04-10 | 24208813 | 61710E |
| G64 | Filter (stepped) 4L60E/65E | 1 | 04-10 | 24226101 | 61710F |
| A80 | Screen, filter (plastic) TH700-R4/4L60E/65E/70E (pump stator) | 1 | 82-10 | 8642036 | 61712 |
| n/i | Screen, filter (plastic)(lg rectangle) force motor goes in spacer plate | 1 | 93-10 | 24209145 | 61717 |
| n/i | Screen, filter (plastic)(sm rectangle) shift solenoid goes in spacer plate | 1 | 93-10 | 824209144 | 61718 |
| n/i | Screen, filter (plastic) TH700-R4/4L60E (case) | 1/2 | 82-97 | 12338044 | 35712 |
| n/i | Screen, filter (plastic) inside lock-up/TCC solenoid snout | 1 | 98-10 | FDB87143 | 61719 |
| n/i | Filter, auxiliary pump 4L65E | 1 | 05-07 | n/a | 61711 |
| BANDS | | | | | |
| B66 | Band, 2nd and 4th TH700-R4/4L60E | 1 | 82-92 | 8654144 | 61700 |
| B66 | Band, 2nd and 4th (high performance) TH700-R4/4L60E/65E/70E | 1 | 82-10 | 8642076HP | 61700HP |
| B66 | Band, 2nd and 4th (high energy) 4L60E/65E/70E | 1 | 92-10 | 24201131 | 61700A |
| BUSHINGS | | | | | |
| K13 | Kit, bushing TH700-R4 (W/27 spline input) | 1 | 82-84 | AE | K61901 |
| K13 | Kit, bushing TH700-R4 (W/30 spline input) | 1 | 85-10 | AE | K61901A |
| A67 | Bushing (babbit) TH700-R4/4L60E (pump body) | 1 | 82-92 | 8628913 | 61005 |
| A67 | Bushing (knurled special) TH700-R4/4L60E (pump body) | 1 | 82-10 | M70401 | 61005A |
| A67 | Bushing (Duralife ®) 4L60E (pump body) | 1 | 82-10 | 79015 | 61005B |
| A67 | Bushing (seal-sure) 4L60E (pump body) | 1 | 82-10 | 65005SS | 61005X |
| A68 | Bushing (bronze) TH700 (stator support front sm) | 1 | 82-84 | 8628915 | 32006 |
| A68 | Bushing (bronze) TH700 (stator support front lg) | 1 | 84-10 | 8647954 | 35007A |
| A69 | Bushing (bronze)(narrow) TH700 (stator shaft rear) | 1 | 82-92 | 8642904 | 61003 |
| A69 | Bushing (bronze)(wide) TH700/4L60E/65E (stator shaft rear) | 1 | 92-10 | 8682887 | 61003A |

TH700-R4•700-R4•4L60•4L60E•4L65E•4L70E•4L75E

TH700-R4•4L60•E•65E•70E•75E

| ILL | DESCRIPTION | QTY | YEAR | REFERENCE # | PART # |
|-------------------------------------|---|-----|-------|-------------|----------|
| BUSHINGS (CONTINUED) | | | | | |
| B70 | Bushing (bronze) TH700/4L60E/65E (reverse drum front) | 1 | 82-10 | 8642905 | 61006 |
| B71 | Bushing 1.886" od 47.64mm TH700/4L60E/65E (reverse drum rear) | 1 | 82-10 | 8628917 | 32001 |
| E72 | Bushing input sun gear front and rear | 2 | 82-10 | 8642906 | 61008 |
| E73 | Bushing TH700/4L60E/65E (reaction shaft front) | 1 | 82-10 | 8642908 | 61009 |
| E74 | Bushing TH700/4L60E/65E (reaction shaft rear) | 1 | 82-10 | 8642907 | 61010 |
| E75 | Bushing TH700/4L60E/65E (reaction sun gear) | 1 | 82-10 | 8642909 | 61011 |
| E75 | Bushing (wide) TH700/4L60E/65E (reaction sun gear) | 1 | 82-10 | 8642909W | 61011A |
| G76 | Bushing TH700/4L60E/65E (case) | 1 | 82-10 | 8641118 | 35012 |
| G77 | Bushing (babbit) 1.626" od TH700/4L60E/65E (extension housing) | 1 | 82-10 | 6260048 | 8008A |
| G77 | Bushing (bronze w/dimples) TH700/4L60E/65E (extension housing) | 1 | 82-10 | 6260048 | 8008 |
| n/i | Bushing (not in kit) TH700 (governor bore use tool T-107) | 1 | 82-92 | 30104A | 30104A |
| WASHERS/BEARINGS/RACES/SHIMS | | | | | |
| K12 | Kit, thrust bearing TH700-R4/4L60E | 1 | 82-03 | AE | K61906 |
| K14 | Kit, thrust washer TH700-R4/4L60E (w/popular selectives) | 1 | 82-03 | AE | K61907 |
| K14 | Kit, washer front and rear planetary | 1 | 82-10 | AE | K61441 |
| K14 | Kit, washer .025" (batwing type) front and rear planetary | 1 | 82-10 | AE | K61442 |
| K14 | Kit, washer .030" (batwing type) front and rear planetary | 1 | 82-10 | AE | K61443 |
| A82 | Thrust washer pump stator to rev drum | 1 | 82-10 | 12338134 | 61401 |
| C83 | Washer .074"-.078" 1.87-1.97mm (#67) input hsg to thrust brg | sel | 82-10 | 8642067 | 61400 |
| C83 | Washer .080"-.084" 2.04-2.14mm (#68) input hsg to thrust brg | sel | 82-10 | 8642068 | 61400A |
| C83 | Washer .087"-.091" 2.21-2.31mm (#69) input hsg to thrust brg | sel | 82-10 | 8642069 | 61400B |
| C83 | Washer .094"-.098" 2.38-2.48mm (#70) input hsg to thrust brg | sel | 82-10 | 8642070 | 61400C |
| C83 | Washer .101"-.105" 2.55-2.65mm (#71) input hsg to thrust brg | sel | 82-10 | 8642071 | 61400D |
| C83 | Washer .107"-.111" 2.72-2.82mm (#72) input hsg to thrust brg | sel | 82-10 | 8642072 | 61400E |
| C83 | Washer .114"-.118" 2.89-2.99mm (#73) input hsg to thrust brg | sel | 82-10 | 8642073 | 61400F |
| C83 | Washer .121"-.125" 3.06-3.16mm (#74) input hsg to thrust brg | sel | 82-10 | 8642074 | 61400G |
| D84 | Thrust washer (plastic) 2 tabs TH700-R4 (front planetary to outer race) | 1 | 82-86 | 8647095 | 61402A |
| E85 | Thrust washer (metal) 4 tabs drive shell to reaction shaft | 1 | 82-04 | 8642202 | 61403 |
| E85 | Bearing, thrust 73.7mm id 91mm od 4L65E (drive shell to reaction shaft) | 1 | 01-10 | 24217328 | 61403B |
| E86 | Thrust washer (plastic) 4 tabs TH700-R4/4L60E (inner race to drive shell) | 1 | 82-10 | 8642331 | 35406A |
| E86 | Thrust washer (plastic) 4 round tabs inner race to beast drive shell | 1 | 82-10 | n/a | 61406A |
| G87 | Washer servo apply pin to return spring | 1 | 82-10 | 8642107 | 61405 |
| C89 | Bearing, thrust stator shaft to sel washer | 1 | 82-10 | 8642066 | 61466 |
| D90 | Bearing, thrust input housing to sun gear | 1 | 82-10 | 8642162 | 61462 |
| E92 | Bearing, thrust input carrier to reaction shaft | 1 | 82-06 | 8642191 | 61491 |
| E92 | TB (thicker w/lip on outer diameter) 4L60E/65 (input carrier to reaction shaft) | 1 | 07-10 | 24236092 | 61491A |
| F93 | Bearing, thrust rear planetary to ring gear hub | 1 | 82-10 | 8642215 | 61415 |
| F94 | Bearing, thrust rear ring gear hub to case | 1 | 82-10 | 8642191 | 61491 |
| PUMP PARTS AND PUMPS | | | | | |
| K10 | NoYoYo® pump ring kit TH700-R4/4L60E/65E (up to 5500 RPM) | 1 | 82-10 | 700-PK™ | K32804 |
| K10 | NoYoYo® pump ring kit high rev 5500 and over | 1 | 82-10 | 700-PKH™ | K32804H |
| K10 | Pump ring kit TH700-R4 | 1 | 82-92 | K77877 | S32804 |
| K10 | Pump ring kit 4L60E/65E/70E | 1 | 93-10 | K77878 | S61804 |
| K38 | Kit, pump respring TH700-R4 | 1 | 82-92 | M170713K | 61972 |
| K43 | Kit, rotor slide, guide (10 vanes) TH700-R4 | 1 | 82-97 | AE | K32800A |
| K43 | Kit, rotor slide, guide (13 vanes) 4L60E/65E/70E | 1 | 97-10 | AE | K32800B |
| K43 | Kit, vane and ring (10 vanes) TH700-R4/4L60E | 1 | 82-97 | 8631280 | K32801A |
| K43 | Kit, vane and ring (13 vanes) 4L60E/65E/70E | 1 | 97-10 | n/a | K32801B |
| A98 | Valve, pressure regulator TH700-R4 | 1 | 82-92 | 8637546 | 61964 |
| A99 | Pump assembly TH700-R4 (w/27 splines input shaft) | 1 | 82-84 | AE | 61200-R |
| A99 | Pump assembly (non/aux) TH700-R4 (w/30 splines input shaft) | 1 | 84-87 | AE | 61200B-R |
| A99 | Pump assembly (aux) TH700-R4 (VB pipe hole w/30 spl input) | 1 | 87-92 | AE | 61200E-R |
| A99 | Pump assembly (non/PWM) 4L60E | 1 | 93-95 | AE | 61200F-R |

TH700-R4•700-R4•4L60•4L60E•4L65E•4L70E•4L75E

TH700-R4•4L60•E•65E•70E•75E

| ILL | DESCRIPTION | QTY | YEAR | REFERENCE # | PART # |
|---|---|------|-------|---------------|----------|
| PUMP PARTS AND PUMPS (CONTINUED) | | | | | |
| A99 | Pump assembly (PWM) 4L60E | 1 | 95-99 | AE | 61200G-R |
| A99 | Pump assembly (13 vane) 4L60E (w/bolt on bell housing) | 1 | 98-02 | AE | 61200J-R |
| A99 | Pump assembly (13 vane) 4L60E (w/1/4" longer stator shaft) | 1 | 98-02 | AE | 61200H-R |
| A99 | Pump assembly (LCS .090" from edge) 4L60E (w/1/4" longer stator shaft) | 1 | 02-04 | AE | 61200K-R |
| A99 | Pump assembly (LCS .090" from edge) 4L60E | 1 | 02-04 | AE | 61200L-R |
| A99 | Pump assembly (molded seal type) 4L60E (w/1/4" longer stator shaft) | 1 | 04-06 | AE | 61200M-R |
| A99 | Pump assembly (molded seal type) 4L60E/65E | 1 | 04-06 | AE | 61200N-R |
| A99 | Pump assy (molded seal type)(ISS type) 4L60E/65E/70E (w/1/4" longer stator shaft) | 1 | 05-10 | AE | 61200P-R |
| A99 | Pump assy (molded seal type)(ISS type) 4L60E/65E/70E (reluctor on input shaft) | 1 | 05-10 | AE | 61200Q-R |
| A101 | Shaft, stator TH700/4L60E/65E | 1 | 82-05 | 77918S-K | 61969A |
| A101 | Shaft, stator 4L60E/65E (300mm converter 1/4" longer) | 1 | 98-05 | SON-77918S-1K | 61969B |
| A101 | Shaft, stator (ISS type) 300mm convt 1/4" longer 7.300" ol | 1 | 05-10 | 700-472DN | 61969C |
| A101 | Shaft, stator (ISS type) 4L60E/65E/70E 6.830" ol | 1 | 07-10 | 700-472EN | 61969D |
| A102 | Slide, pump .709"-.710" TH700-R4/4L60E/65E/70E | 1 | 82-10 | 8634083 | 32803 |
| E103 | Vane, pump TH700-R4/4L60E/65E/70E | 7/13 | 82-10 | 8631280 | 32800 |
| A104 | Ring, pump vane (solid) cast iron | 2 | 82-10 | 8634086 | 32322 |
| A104 | Ring, pump vane (solid) harden steel | 2 | 82-10 | 8634086SP | 32322SP |
| A105 | Rotor, pump (10 vane) TH700-R4/4L60E | 1 | 87-97 | 8654389 | 32802A |
| A105 | Rotor, pump (13 vane) 4L60E/65E/70E | 1 | 97-10 | 24205400 | 32802B |
| A107 | Ring, sealing (solid)(not in kit) TH700-R4/4L60E/65E/70E | 1 | 82-10 | 8634079 | 32320 |
| A109 | Guide, rotor (7 vane type) TH700-R4 | 1 | 82-86 | 8654733 | 32422 |
| A109 | Guide, rotor (10 vane type) TH700-R4/4L60E | 1 | 87-97 | 8654734 | 32422A |
| A109 | Guide, rotor (13 vane type) 4L60E/65E/70E | 1 | 97-10 | 24205410 | 32422B |
| A119 | Retainer, seal TH700-R4/4L60E/65E/70E | 1 | 82-10 | 8654491 | 61991 |
| n/i | Spring, pressure regulator TH700-R4 (diesel)(1.75" long)(pink) | 1 | 82-92 | 8642751 | 61965A |
| n/i | Spring, pressure regulator TH700-R4 (gas)(1.98" long)(white) | 1 | 82-92 | 8642494 | 61965 |
| n/i | Spring, outer pump slide (plain) TH700-R4/4L60E/65E/70E | 1 | 82-10 | M70713P | 61701 |
| n/i | Spring, inner pump slide (orange) TH700-R4/4L60E/65E/70E | 1 | 82-10 | M70713R | 61702 |
| HARD PARTS | | | | | |
| B112 | Drum, reverse (sm hole) TH700-R4 (metal piston) | 1 | 82-86 | 8690907 | 61923 |
| B112 | Drum, reverse (sm hole) TH700-R4 (metal piston) | 1 | 82-86 | 8690907 | 61923-R |
| B112 | Drum, reverse (lg hole) TH700-R4/4L60E/65E (alum piston) | 1 | 87-10 | 8663068 | D61923A |
| B112 | Drum, reverse (lg hole) TH700-R4/4L60E/65E (alum piston) | 1 | 87-10 | 8663068 | 61923A |
| B112 | Drum, reverse (lg hole) TH700-R4/4L60E/65E (alum piston) | 1 | 87-10 | 8663068 | 61923A-R |
| C114 | Capsule, w/ball TH700-R4/4L60E/65E (input shaft) | 1 | 82-10 | 8647037 | 61926 |
| C115 | Housing, input w/shaft TH700-R4 (27 spl V/8) | 1 | 82-84 | 8647963 | 61971-R |
| C115 | Housing, input w/shaft 27 splines 2.5/2.8L (O'ring behind splines) | 1 | 82-84 | 8647965 | 61971A-R |
| C115 | Housing, input w/shaft (non/aux) TH700-R4 (27 spl 2.5/2.8L 4 cyl/V6) | 1 | 84-87 | 8657902 | 61971C-R |
| C115 | Housing, input w/shaft (non/aux) TH700-R4 (30 spl V8) | 1 | 85-87 | 8654156 | 61971B-R |
| C115 | Housing, input w/shaft 27 splines 2.5/2.8L 4 cyl/V6(O'ring behind splines) | 1 | 87-92 | 8654753 | 61971D-R |
| C115 | Housing, input w/shaft (aux) TH700-R4 (30 spl 4.3L/V6 V8) | 1 | 87-92 | 8677034 | 61971F-R |
| C115 | Housing, input w/shaft 4L60E (4 cyl 3.4L/3.8L V6) | 1 | 95-02 | 24200902 | 61971G-R |
| C115 | Housing, input w/shaft 4L60E (V6-V8) | 1 | 95-05 | 24200901 | 61971H |
| C115 | Housing, input w/shaft 4L60E (V6-V8) | 1 | 95-05 | 24200901 | 61971H-R |
| C115 | Housing, input w/shaft (1/4" longer) 4L60E/65E (w/300mm converter) | 1 | 98-05 | 17803687 | D61971J |
| C115 | Housing, input w/shaft (1/4" longer) 4L60E/65E (w/300mm converter) | 1 | 98-05 | 24209840 | 61971J |
| C115 | Housing, input w/shaft (1/4" longer) 4L60E/65E (w/300mm converter) | 1 | 98-05 | 24209840 | 61971J-R |
| C115 | Housing, input w/shaft (w/reluctor) w/300mm conv (rings .190" closer to drum) | 1 | 05-07 | 24230653 | 61971K |
| C115 | Housing, input w/shaft (w/reluctor) w/300mm conv (rings .190" closer to drum) | 1 | 05-07 | 24230653 | 61971K-R |
| C115 | Housing, input w/shaft (w/o reluctor) w/300mm conv (rings .190" closer to drum) | 1 | 05-06 | AE | 61971L |
| C115 | Housing, input w/shaft (w/o reluctor) w/300mm conv (rings .190" closer to drum) | 1 | 05-06 | AE | 61971L-R |
| C118 | Piston, forward TH700-R4 | 1 | 82-92 | 8654326 | 61941-R |
| C118 | Piston, forward 4L60E | 1 | 93-96 | 24201472 | 61941A-R |

TH700-R4•700-R4•4L60•4L60E•4L65E•4L70E•4L75E

TH700-R4•4L60•E•65E•70E•75E

| ILL | DESCRIPTION | QTY | YEAR | REFERENCE # | PART # |
|-------------------------------|--|-----|-------|-------------|----------|
| HARD PARTS (CONTINUED) | | | | | |
| C120 | Retainer w/springs, overrun clutch | 1 | 82-96 | 8642153 | 61953-R |
| C120 | Retainer w/springs, overrun clutch | 1 | 97-10 | 24206085 | 61953A-R |
| E121 | Planetary, front | 1 | 82-10 | 8654134 | 61982 |
| E121 | Planetary, front (spec w or w/o holes) | 1 | 82-10 | 8654329 | 61982-R |
| E121 | Planetary, front (5 pinions) | 1 | 03-10 | 24243874 | 61982A |
| E125 | Gear, sun 1.995" height | 1 | 82-98 | 8647093 | 61993-R |
| E125 | Gear, sun (w/groove for tabs) | 1 | 99-10 | n/a | 61993A-R |
| E126 | Gear, sun | 1 | 82-10 | 8642204 | 61997 |
| E126 | Gear, sun | 1 | 82-10 | 8642204 | 61997-R |
| E128 | Gear, ring 1 3/8" outer spline | 1 | 82-10 | 8663639 | 61994-R |
| E129 | Shaft, reaction | 1 | 82-06 | 8654259 | 61996-R |
| E129 | Shaft, reaction | 1 | 03-06 | 24217157 | 61996A |
| E129 | Shaft, reaction | 1 | 03-06 | 24217157 | 61996A-R |
| E129 | Shaft, reaction | 1 | 07-10 | 24241255 | 61996B |
| E131 | Shell, drive | 1 | 82-10 | 8663641 | D61903 |
| E131 | Shell, drive | 1 | 82-10 | 8663641 | 61903 |
| E131 | Shell, drive | 1 | 82-10 | 8663641 | 61903-R |
| E131 | Shell, drive | 1 | 03-10 | 24217145 | 61903A |
| E131 | Shell, drive | 1 | 03-10 | 24217145 | 61903A-R |
| E131 | Shell, drive (the beast) | 1 | 82-10 | 42298B | 61903H |
| F135 | Piston, low/reverse | 1 | 82-86 | n/a | 61922-R |
| F135 | Piston, low/reverse | 1 | 82-86 | n/a | 61921-R |
| F135 | Piston, low/reverse | 1 | 93-10 | 8685549 | 61920-R |
| F136 | Support, low/rev clutch | 1 | 82-85 | 8647411 | 35727-R |
| F136 | Support, low/rev clutch (wide) | 1 | 85-10 | 8673544 | K61955-R |
| F136 | Support, case repair (heavy duty) | 1 | 82-10 | K77701S | K35995 |
| F137 | Planetary, rear | 1 | 82-10 | 24241240 | D61730 |
| F137 | Planetary, rear | 1 | 82-10 | 8654132 | 61730 |
| F137 | Planetary, rear | 1 | 82-10 | 8654200 | 61730-R |
| F137 | Planetary, rear (heavy duty) | 1 | 03-10 | 24227591 | 61730A |
| F137 | Planetary, rear (heavy duty) | 1 | 03-10 | 24227591 | 61730A-R |
| F138 | Gear, ring | 1 | 82-84 | 8667055 | 61916-R |
| F138 | Gear, ring (hardened) | 1 | 82-10 | 8667055 | 61916A-R |
| F139 | Hub (rear ring gear) | 1 | 82-10 | 8681491 | 61918 |
| F139 | Hub (rear ring gear) | 1 | 82-10 | 8681491 | 61918-R |
| B140 | Retainer w/springs | 1 | 82-10 | 8647284 | 61984-R |
| F141 | Retainer w/springs | 1 | 82-10 | 8642227 | 61927-R |
| F143 | Spring, anti clunk | 1 | 82-10 | 6261415 | 61915-R |
| F144 | Race, low/reverse sprag (inner) | 1 | 82-10 | 8643300 | 35530-R |
| G148 | Pin, apply 5.065" (2 rings) | 1 | 82-10 | 8680500 | 61957 |
| G148 | Pin, apply 5.015" (1 ring) | 1 | 82-10 | 8680499 | 61957A |
| G148 | Pin, apply 5.120" (no ring) | 1 | 82-10 | 8680501 | 61957B |
| G148 | Pin, apply extra long | 1 | 82-11 | APC-057301 | 61957C |
| G148 | Pin, extendo-pin .150" (2-4 servo) | 1 | 82-10 | 77605E | 61957E |
| G148 | Pin, extendo-pin .289" (2-4 servo) | 1 | 82-10 | 77605G | 61957F |
| G149 | Kit, governor gear | 1 | 82-92 | 8642928 | K61411 |
| G150 | Governor assembly | 1 | 82-92 | 8642731 | 61931 |
| G150 | Governor assembly | 1 | 82-92 | 8642729 | 61931A |
| G150 | Governor assembly | 1 | 82-92 | 8642730 | 61931B |
| G151 | Clip, governor cover | 1 | 82-92 | 6260040 | 61956-R |
| G152 | Clip, speedo (5/16" thin long) | 1 | 82-92 | 8626089 | 35226 |
| G154 | Vent tube (plastic) | 1 | 82-92 | 8633408 | 96-189 |
| G156 | Spring (purple) | 1 | 82-06 | 8634163 | 61706 |

TH700-R4•700-R4•4L60•4L60E•4L65E•4L70E•4L75E

TH700-R4•4L60•E•65E•70E•75E

| ILL | DESCRIPTION | QTY | YEAR | REFERENCE # | PART # |
|-------------------------------|---------------------------------------|-----|-------|-------------|---------|
| HARD PARTS (CONTINUED) | | | | | |
| G156 | Spring (white) | 1 | 82-06 | 8654183 | 61706A |
| G156 | Spring (green) | 1 | 82-06 | 8654554 | 61706B |
| G156 | Spring (red) | 1 | 82-06 | 8634703 | 61706C |
| G156 | Spring (plain) | 1 | 87-06 | 8673387 | 61706D |
| G156 | Spring (orange w/taper) | 1 | 87-06 | 8663385 | 61706E |
| G157 | Sleeve, output (long) | 1 | 87-06 | 8654063 | 61930A |
| G157 | Sleeve, output (short) | 1 | 87-06 | 6261062 | 61930-R |
| G160 | Piston, (w/seal)(lg pin) | 1/2 | 82-06 | K79878 | K61985 |
| G160 | Piston, (small pin) | 1 | 93-06 | 79879-1 | 61985A |
| G160 | Piston | 1 | 03-06 | 4L65-ZACUS | 61985B |
| G160 | Piston, (aluminum) | 1 | 93-10 | 24200126 | 61983 |
| G164 | Valve body spacer plate (stamped S) | 1 | 82-86 | 8654483 | 8654483 |
| G164 | Valve body spacer plate (stamped A/R) | 1 | 82-86 | 8654481 | 8654481 |
| G164 | Valve body spacer plate (stamped P) | 1 | 82-86 | 8654482 | 8654482 |
| G164 | Valve body spacer plate (stamped T) | 1 | 84-86 | 8654484 | 8654484 |
| G164 | Valve body spacer plate (stamped AD) | 1 | 87-88 | 8663587 | 8663587 |
| G164 | Valve body spacer plate (stamped AF) | 1 | 87-88 | 8663589 | 8663589 |
| G164 | Valve body spacer plate (stamped AH) | 1 | 87-88 | 8663591 | 8663591 |
| G164 | Valve body spacer plate (stamped AM) | 1 | 87-88 | 8663595 | 8663595 |
| G164 | Valve body spacer plate (stamped ZH) | 1 | 88-88 | 8667225 | 8667225 |
| G164 | Valve body spacer plate (stamped ZD) | 1 | 88-88 | 8667229 | 8667229 |
| G164 | Valve body spacer plate (stamped ZF) | 1 | 88-88 | 8667230 | 8667230 |
| G164 | Valve body spacer plate (stamped ZM) | 1 | 88-88 | 8667231 | 8667231 |
| G164 | Valve body spacer plate (stamped BD) | 1 | 88-88 | 8667355 | 8667355 |
| G164 | Valve body spacer plate (stamped BF) | 1 | 88-88 | 8667356 | 8667356 |
| G164 | Valve body spacer plate (stamped BM) | 1 | 88-88 | 8667357 | 8667357 |
| G164 | Valve body spacer plate (stamped BU) | 1 | 88-89 | 8667475 | 8667475 |
| G164 | Valve body spacer plate (stamped BK) | 1 | 88-88 | 8673110 | 8673110 |
| G164 | Valve body spacer plate (stamped BP) | 1 | 89-89 | 8673137 | 8673137 |
| G164 | Valve body spacer plate (stamped BY) | 1 | 89-89 | 8673138 | 8673138 |
| G164 | Valve body spacer plate (stamped BV) | 1 | 89-89 | 8673139 | 8673139 |
| G164 | Valve body spacer plate (improved) | 1 | 82-93 | 700-P | 61749 |
| G164 | Valve body spacer plate (improved) | 1 | 93-94 | 46-PLT-94 | 61750 |
| G164 | Valve body spacer plate (improved) | 1 | 95-95 | 46-PLT-95 | 61751 |
| G164 | Valve body spacer plate (improved) | 1 | 96-06 | 46-PLT-96 | 61752 |
| G164 | Valve body spacer plate | 1 | 06-10 | B10102 | 61753 |
| G164 | Valve body spacer plate | 1 | 05-05 | 46-PLT-05V | 61754 |
| G164 | Valve body spacer plate | 1 | 07-10 | 46-PLT-07 | 61755 |
| G164 | Valve body spacer plate | 1 | 09-10 | 46-PLT-09 | 61756 |
| G164 | Valve body spacer plate (stamped GJ) | 1 | 93-93 | 8681278 | 8681278 |
| G164 | Valve body spacer plate | 1 | 93-93 | 8682261 | 8682261 |
| G164 | Valve body spacer plate (stamped JV) | 1 | 93-93 | 8684122 | 8684122 |
| G164 | Valve body spacer plate (stamped JW) | 1 | 93-93 | 8684123 | 8684123 |
| G164 | Valve body spacer plate (stamped JX) | 1 | 93-93 | 8684124 | 8684124 |
| G164 | Valve body spacer plate (stamped JY) | 1 | 93-93 | 8684125 | 8684125 |
| G164 | Valve body spacer plate (stamped JZ) | 1 | 93-93 | 8684126 | 8684126 |
| G164 | Valve body spacer plate (stamped KO) | 1 | 94-94 | 8686011 | 8686011 |
| G164 | Valve body spacer plate (stamped KP) | 1 | 94-94 | 8686012 | 8686012 |
| G164 | Valve body spacer plate (stamped KS) | 1 | 94-94 | 8686013 | 8686013 |
| G164 | Valve body spacer plate (stamped KT) | 1 | 94-94 | 8686037 | 8686037 |
| G164 | Valve body spacer plate (stamped KU) | 1 | 94-94 | 8686038 | 8686038 |
| G164 | Valve body spacer plate (stamped KV) | 1 | 94-94 | 8686039 | 8686039 |
| G164 | Valve body spacer plate (stamped KW) | 1 | 94-94 | 8686040 | 8686040 |

TH700-R4•700-R4•4L60•4L60E•4L65E•4L70E•4L75E

TH700-R4•4L60•E•65E•70E•75E

| ILL | DESCRIPTION | QTY | YEAR | REFERENCE # | PART # |
|-------------------------------|---|-----|-------|-------------|----------|
| HARD PARTS (CONTINUED) | | | | | |
| G164 | Valve body spacer plate (stamped KX) 4L60E (obsolete) | 1 | 94-94 | 8686041 | 8686041 |
| G164 | Valve body spacer plate (stamped KY) 4L60E | 1 | 94-94 | 8686042 | 8686042 |
| G164 | Valve body spacer plate (stamped KZ) 4L60E | 1 | 94-94 | 8686043 | 8686043 |
| G164 | Valve body spacer plate (stamped LA) 4L60E | 1 | 94-94 | 8686044 | 8686044 |
| G164 | Valve body spacer plate (stamped LB) 4L60E | 1 | 94-94 | 8686045 | 8686045 |
| G164 | Valve body spacer plate (stamped LC) 4L60E | 1 | 94-94 | 24200361 | 24200361 |
| G164 | Valve body spacer plate (stamped LD) 4L60E | 1 | 94-94 | 24200608 | 24200608 |
| G164 | Valve body spacer plate (stamped LE) 4L60E | 1 | 94-94 | 24200609 | 24200609 |
| G164 | Valve body spacer plate (stamped LL) 4L60E (obsolete) | 1 | 94-94 | 24201477 | 24201477 |
| G164 | Valve body spacer plate (stamped LM) 4L60E (obsolete) | 1 | 94-94 | 24201478 | 24201478 |
| G164 | Valve body spacer plate (stamped LN) 4L60E | 1 | 94-94 | 24201479 | 24201479 |
| G164 | Valve body spacer plate (stamped LO) 4L60E (obsolete) | 1 | 94-94 | 24201480 | 24201480 |
| G164 | Valve body spacer plate (stamped KA) 4L60E | 1 | 94-94 | 24202371 | 24202371 |
| G164 | Valve body spacer plate (stamped KB) 4L60E (obsolete) | 1 | 94-94 | 24202372 | 24202372 |
| G164 | Valve body spacer plate (stamped MP) 4L60E | 1 | 95-95 | 24201484 | 24201484 |
| G164 | Valve body spacer plate (stamped MS) 4L60E | 1 | 95-95 | 24201485 | 24201485 |
| G164 | Valve body spacer plate (stamped MT) 4L60E | 1 | 95-95 | 24201486 | 24201486 |
| G164 | Valve body spacer plate (stamped MU) 4L60E | 1 | 95-95 | 24201487 | 24201487 |
| G164 | Valve body spacer plate (stamped MV) 4L60E | 1 | 95-95 | 24201488 | 24201488 |
| G164 | Valve body spacer plate (stamped MW) 4L60E | 1 | 95-95 | 24201489 | 24201489 |
| G164 | Valve body spacer plate (stamped MX) 4L60E | 1 | 95-95 | 24201490 | 24201490 |
| G164 | Valve body spacer plate (stamped MY) 4L60E | 1 | 95-95 | 24201491 | 24201491 |
| G164 | Valve body spacer plate (stamped MZ) 4L60E | 1 | 95-95 | 24201492 | 24201492 |
| G164 | Valve body spacer plate (stamped NA) 4L60E | 1 | 95-95 | 24201493 | 24201493 |
| G164 | Valve body spacer plate (stamped NB) 4L60E | 1 | 95-95 | 24201494 | 24201494 |
| G164 | Valve body spacer plate (stamped NC) 4L60E | 1 | 95-95 | 24202313 | 24202313 |
| G164 | Valve body spacer plate (stamped ND) 4L60E | 1 | 95-95 | 24202314 | 24202314 |
| G164 | Valve body spacer plate (stamped NE) 4L60E | 1 | 95-95 | 24202813 | 24202813 |
| G164 | Valve body spacer plate (stamped NG) 4L60E | 1 | 95-95 | 24203084 | 24203084 |
| G164 | Valve body spacer plate (stamped PG) 4L60E | 1 | 96-99 | 24203283 | 24203283 |
| G164 | Valve body spacer plate (stamped NH) 4L60E | 1 | 95-95 | 24203918 | 24203918 |
| G164 | Valve body spacer plate (stamped PW) 4L60E | 1 | 96-96 | 24203946 | 24203946 |
| G164 | Valve body spacer plate (stamped PL) 4L60E | 1 | 96-96 | 24203947 | 24203947 |
| G164 | Valve body spacer plate (stamped PM) 4L60E | 1 | 96-96 | 24203948 | 24203948 |
| G164 | Valve body spacer plate (stamped PN) 4L60E | 1 | 96-96 | 24203949 | 24203949 |
| G164 | Valve body spacer plate (stamped PC) 4L60E | 1 | 96-99 | 24221136 | 24221136 |
| G164 | Valve body spacer plate (stamped PP) 4L60E | 1 | 96-96 | 24203950 | 24203950 |
| G164 | Valve body spacer plate (stamped PS) 4L60E | 1 | 96-00 | 24203951 | 24203951 |
| G164 | Valve body spacer plate (stamped PA) 4L60E | 1 | 96-99 | 24203222 | 24204435 |
| G164 | Valve body spacer plate (stamped PT) 4L60E | 1 | 96-96 | 24203952 | 24203952 |
| G164 | Valve body spacer plate (stamped PU) 4L60E | 1 | 96-00 | 24203953 | 24203953 |
| G164 | Valve body spacer plate (stamped PD) 4L60E | 1 | 96-99 | 24203225 | 24203225 |
| G164 | Valve body spacer plate (stamped PY) 4L60E | 1 | 96-97 | 24204438 | 24204438 |
| G164 | Valve body spacer plate (stamped SC) 4L60E | 1 | 96-00 | 24205978 | 24205978 |
| G164 | Valve body spacer plate (stamped SD) 4L60E | 1 | 96-99 | 24205979 | 24205979 |
| G164 | Valve body spacer plate (stamped PZ) 4L60E | 1 | 96-97 | 24207492 | 24207492 |
| G164 | Valve body spacer plate (stamped SE) 4L60E | 1 | 97-00 | 24207864 | 24207864 |
| G164 | Valve body spacer plate (stamped TC) 4L60E | 1 | 99-00 | 24210523 | 24210523 |
| G164 | Valve body spacer plate (stamped TB) 4L60E | 1 | 98-00 | 24210565 | 24210565 |
| G164 | Valve body spacer plate (stamped IPA) 4L60E | 1 | 01-03 | 24218156 | 24218156 |
| G164 | Valve body spacer plate (stamped IPC) 4L60E | 1 | 01-01 | 24218157 | 24218157 |
| G164 | Valve body spacer plate (stamped IPG) 4L60E | 1 | 01-06 | 24218158 | 24218158 |
| G164 | Valve body spacer plate (stamped ISE) 4L60E | 1 | 01-02 | 24218159 | 24218159 |

TH700-R4•700-R4•4L60•4L60E•4L65E•4L70E•4L75E

| ILL | DESCRIPTION | QTY | YEAR | REFERENCE # | PART # |
|-------------------------------|---|-----|-------|-----------------|----------|
| HARD PARTS (CONTINUED) | | | | | |
| G164 | Valve body spacer plate (stamped IPS) 4L60E | 1 | 01-02 | 24218160 | 24218160 |
| G164 | Valve body spacer plate (stamped IPU) 4L60E/65E | 1 | 01-06 | 24218161 | 24218161 |
| G164 | Valve body spacer plate (stamped ITA) 4L60E | 1 | 01-10 | 24218162 | 24218162 |
| G164 | Valve body spacer plate (stamped ITC) 4L60E | 1 | 01-07 | 24218163 | 24218163 |
| G164 | Valve body spacer plate (stamped ITJ) 4L60E | 1 | 02-07 | 24220200 | 24220200 |
| G164 | Valve body spacer plate (stamped TM) 4L60E | 1 | 04-07 | 24220980 | 24220980 |
| G164 | Valve body spacer plate (stamped PA/PX) 4L60E | 1 | 96-99 | 224221135 | 24221135 |
| G164 | Valve body spacer plate (stamped TA) 4L60E | 1 | 98-00 | 24221141 | 24221141 |
| G164 | Valve body spacer plate (stamped IPC) 4L60E | 1 | 02-04 | 24221142 | 24221142 |
| G164 | Valve body spacer plate (stamped TP) 4L60E | 1 | 05-10 | 24230162 | 24230162 |
| G164 | Valve body spacer plate (stamped PM) 4L60E | 1 | 06-10 | 24230163 | 24230163 |
| G164 | Valve body spacer plate (stamped TT) 4L60E | 1 | 06-10 | 24233900 | 24233900 |
| G164 | Valve body spacer plate (stamped PH) 4L60E | 1 | 07-10 | 24235177 | 24235177 |
| G164 | Valve body spacer plate (stamped 2SL) 4L60E | 1 | 09-10 | 24238166 | 24238166 |
| G164 | Valve body spacer plate 4L60E/65E | 1 | 05-10 | 24223421 | 24223421 |
| G164 | Valve body spacer plate (stamped 2SK) 4L60E | 1 | 09-10 | 24238223 | 24238223 |
| G164 | Valve body spacer plate (stamped PO) 4L60E | 1 | 07-10 | 24238646 | 24238646 |
| G164 | Valve body spacer plate (stamped TB) 4L60E | 1 | 08-10 | 24239053 | 24239053 |
| G164 | Valve body spacer plate (stamped PV) 4L60E | 1 | 08-10 | 24240307 | 24240307 |
| G164 | Valve body spacer plate (stamped IHV) 4L60E (w/bonded gaskets) | 1 | 08-10 | 24241778 | 24241778 |
| G164 | Valve body spacer plate (stamped IHO) 4L60E (w/bonded gaskets) | 1 | 08-10 | 24241779 | 24241779 |
| G164 | Valve body spacer plate (stamped IHH) 4L60E (w/bonded gaskets) | 1 | 07-10 | 24241780 | 24241780 |
| G164 | Valve body spacer plate (stamped IHP) 4L60E (w/bonded gaskets) | 1 | 07-10 | 24241781 | 24241781 |
| G164 | Valve body spacer plate (stamped IHJ) 4L60E (w/bonded gaskets) | 1 | 07-07 | 24241782 | 24241782 |
| G164 | Valve body spacer plate (stamped IHC) 4L60E (w/bonded gaskets) | 1 | 07-07 | 24241783 | 24241783 |
| G164 | Valve body spacer plate (stamped IHA) 4L60E (w/bonded gaskets) | 1 | 07-10 | 24241784 | 24241784 |
| G164 | Valve body spacer plate (stamped IHA) 4L60E (w/bonded gaskets) | 1 | 07-10 | 24241785 | 24241785 |
| G164 | Valve body spacer plate (stamped IHT) 4L60E (w/bonded gaskets) | 1 | 07-07 | 24241786 | 24241786 |
| G164 | Valve body spacer plate (stamped IHM) 4L60E (w/bonded gaskets) | 1 | 08-10 | 24243215 | 24243215 |
| G164 | Valve body spacer plate (stamped IHK) 4L60E (w/bonded gaskets) | 1 | 08-10 | 24243216 | 24243216 |
| G164 | Valve body spacer plate (stamped 2SY) 4L60E (w/bonded gaskets) | 1 | 09-10 | 24245346 | 24245346 |
| G164 | Valve body spacer plate (stamped 2SS) 4L60E (w/bonded gaskets) | 1 | 09-10 | 24245348 | 24245348 |
| n/i | Wire, manual link TH700-R4 (2nd design) | 1 | 82-92 | 8654113 | 61935-R |
| n/i | Filler tube repair TH700-R4/4L60E/65E/70E | 1 | 82-10 | M99100A | 96-140A |
| n/i | Wire, manual link 4L60E | 1 | 93-10 | 8680731 | 61935A |
| n/i | Kit, converter clutch throttle valve TH700-R4 (lock-up in 4th only) | 1 | 82-92 | 8642970 | 61970 |
| n/i | Valve, converter clutch shift TH700-R4 | 1 | 82-92 | M70712 | 61970A |
| n/i | Kit, hydraulic lockup TH700-R4 (lock-up and 3-4 shift timing) | 1 | 82-92 | 700-LU Kit | K61970 |
| n/i | Kit, converter clutch lock-up TH700-R4 (offers 5 lock-up speed choices) | 1 | 82-92 | K-017 | S61970 |
| n/i | Spring (silver) TH700-R4 (throttle valve) | ar | 82-92 | MF701 | 6242CS |
| n/i | Spring (heavy duty) TH700-R4 (throttle valve) | 1 | 82-92 | 75909SA | 6242HD |
| n/i | Tube/check ball assembly TH700-R4 (bullet 3-4 accumulator) | 1 | 82-10 | 8634400 | 61978 |
| n/i | Wire, throttle lever/cable TH700-R4 | 1 | 82-92 | 8642290 | 61958 |
| n/i | Kit, servo piston Corvette | 1 | 82-10 | K79895 | K61986 |
| n/i | Super servo (largest apply area available) TH700-R4 (quicker 4-3 dn shift/firmer 1-2) | 1 | 82-06 | K-012 | S61986 |
| n/i | Spring, servo apply TH700-R4/4L60E (2-4 band pin) | 1 | 82-10 | K-004 | 61703 |
| n/i | Spring, load release TH700-R4/4L60E (3-4 helper spring) | 5 | 87-10 | 8667424 | 61705 |
| n/i | Spring, load release replacement TH700-R4/4L60E (individual springs) | 1 | 87-10 | AE | 61707 |
| n/i | Kit, boost valve and sleeve .500" od 4L60E (gives up to 236 psi forward) | 1 | 93-04 | 4L60E-Boost | K61988H |
| n/i | Kit, boost valve and sleeve .472" od fits both early long and late short style | 1 | 93-10 | 4L60E-Boost-472 | K61988A |
| n/i | Kit, GM/SRTA lock-up upgrade (oversized) 4L60E | 1 | 93-04 | 4L6-ISO-3 | K61912 |
| n/i | Plate, accumulator repair TH700-R4 | 1 | 82-92 | 77754HD | 61904 |
| n/i | Capsule, TCC orifice feed (qty 5) 4L60E | 1 | 96-06 | 77831 | 096-004 |

TH700-R4•4L60•E•65E•70E•75E

TH700-R4•700-R4•4L60•4L60E•4L65E•4L70E•4L75E

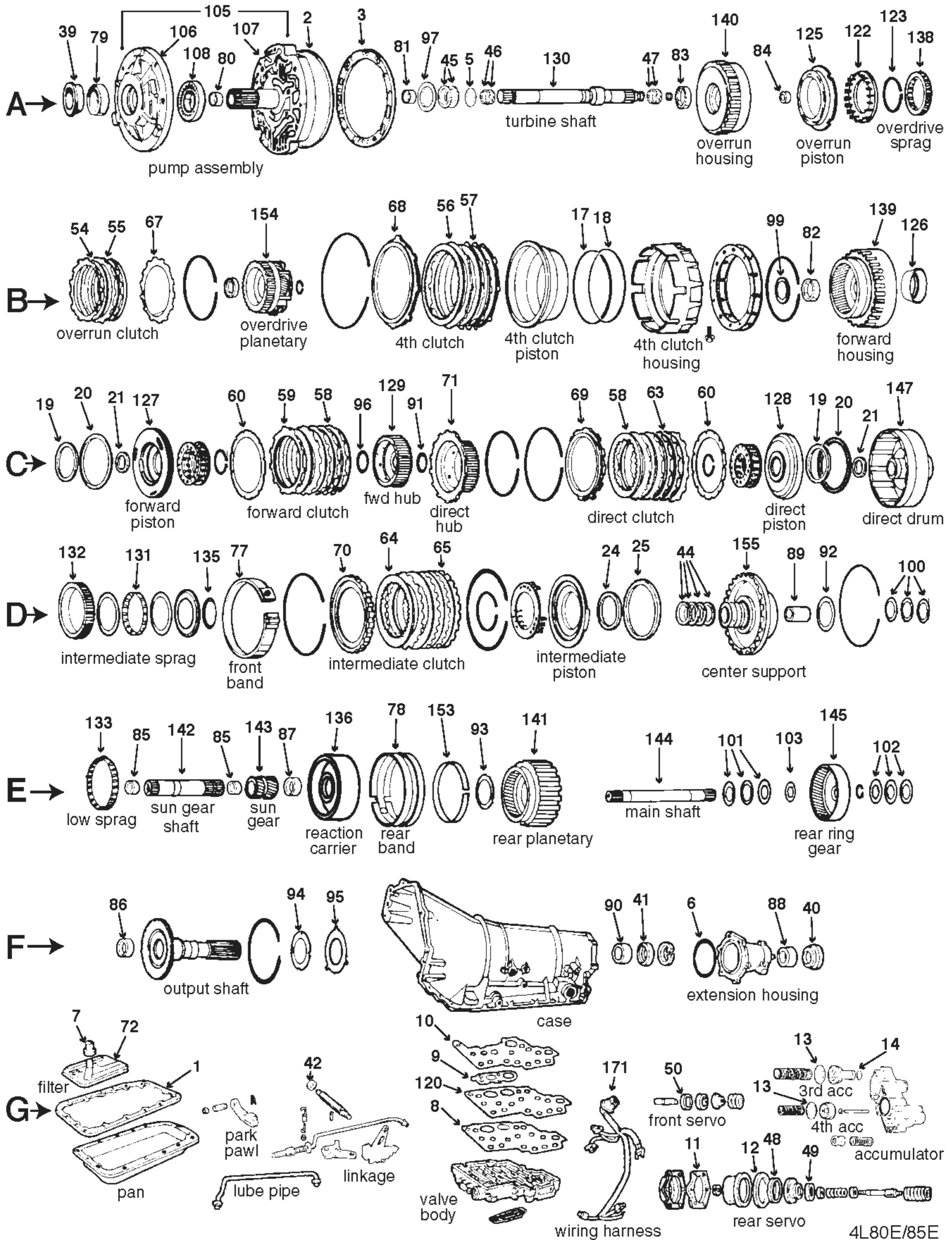
TH700-R4•4L60•E•65E•70E•75E

| ILL | DESCRIPTION | QTY | YEAR | REFERENCE # | PART # |
|-------------------------------|---|-----|-------|-------------|------------|
| HARD PARTS (CONTINUED) | | | | | |
| n/i | Yoke, seal (fixes leaky drive shaft yoke) | 1 | 82-10 | 35746YS | 96-107 |
| n/i | Capsule, reverse piston | 1 | 87-10 | 77761C | 96-401 |
| n/i | Case (w/neutral switch/cable bracket) | 1 | 93-98 | 24212401 | 61917 |
| n/i | Case (w/neutral switch/cable bracket) | 1 | 95-97 | 24212157 | 61917A |
| n/i | Case (4.3 V/6) | 1 | 93-96 | 24212151 | 61917B |
| n/i | Capsule, w/ball-low/reverse | 1 | 87-10 | 8663890 | 8663890 |
| n/i | Bolt, bell housing (torx) | 8 | 98-10 | 24203265 | 24203265 |
| n/i | Clip, cooler line retaining | 2 | 93-10 | 24205103 | 61704 |
| n/i | Fitting, cooler line 1/4"-18 ext | 2 | 06-06 | 24205102 | 24205102 |
| n/i | Fitting, cooler line 1/4"-18x25.4mm long | 2 | 05-05 | 24233366 | 24233366 |
| n/i | Bracket, force motor update | 1 | 93-10 | 8684217 | 8684217 |
| n/i | Housing, adapter (4x4) | 1 | 96-06 | 15005474 | 61998 |
| n/i | Housing, adapter (4x4) | 1 | 96-06 | 15724744 | 61999 |
| n/i | Housing, adapter (4x4) | 1 | 96-06 | 15726252 | 61992 |
| n/i | Housing, adapter (4x4) | 1 | 97-06 | 15963697 | 61990 |
| n/i | Housing, adapter (4x4) | 1 | 06-10 | 24231140 | 61998A |
| ELECTRICAL COMPONENTS | | | | | |
| G167 | Solenoid, TCC w/internal harness | 1 | 82-92 | 8654121 | 5A-131 |
| G167 | Solenoid, TCC w/internal harness | 1 | 82-92 | 8654122 | 5A-132 |
| G167 | Solenoid, TCC w/internal harness | 1 | 82-92 | 8654123 | 5A-133 |
| G167 | Solenoid, TCC w/internal harness | 1 | 82-92 | 8654124 | 5A-134 |
| G167 | Solenoid, TCC w/internal harness | 1 | 82-92 | 8654125 | 5A-135 |
| G167 | Solenoid, TCC w/internal harness | 1 | 86-90 | 8654126 | 5A-136 |
| G167 | Solenoid, TCC w/internal harness | 1 | 83-92 | 8654127 | 5A-137 |
| G167 | Solenoid, TCC w/internal harness | 1 | 82-92 | 8654128 | 5A-138 |
| G167 | Solenoid, TCC w/internal harness | 1 | 83-91 | 8654129 | 5A-139 |
| G167 | Solenoid, TCC w/internal harness | 1 | 82-88 | 8654130 | 5A-140 |
| G167 | Solenoid, TCC w/internal harness | 1 | 87-92 | 8654415 | 5A-141 |
| G167 | Solenoid, TCC w/internal harness | 1 | 88-88 | 8667706 | 5A-147 |
| G167 | Solenoid, TCC w/internal harness | 1 | 89-91 | 10478100 | 5A-148 |
| G167 | Solenoid, TCC w/internal harness | 1 | 89-91 | 10478101 | 5A-149 |
| G167 | Solenoid (w/diode posi-lock connectors) | 1 | 82-10 | K-77929U | 5A-144 |
| G167 | Solenoid, TCC (universal lock-up) | 1 | 82-10 | 52-0203 | 5A-145 |
| G168 | Connector, electrical (3 terminal square) | 1 | 82-92 | 12015026 | 25A-103 |
| G168 | Connector, electrical (4 terminal square) | 1 | 82-92 | 12015027 | 25A-104 |
| n/i | Switch, pressure (2 terminals) | 1 | 82-86 | 8643710 | 15A-111 |
| n/i | Switch, pressure (1 terminal) | 1 | 82-92 | 8683502 | 15A-112 |
| n/i | Switch, pressure (1 terminal n.o.) | 1 | 82-92 | 8642473 | 15A-118 |
| n/i | Switch, 4/3 pulse (2 terminals n.c.) | 1 | 82-92 | 8642346 | 15A-119 |
| n/i | Switch, temperature | 1 | 87-92 | 25037142 | 15A-121 |
| n/i | Switch, pressure (non-grounding) | 1 | 82-92 | 15A-133 | 15A-133 |
| n/i | Solenoid, master kit | 1 | 93-95 | MS-4L60E | 25A-001 |
| n/i | Solenoid, master kit | 1 | 96-02 | MS-4L60E-96 | 25A-001A |
| n/i | Solenoid | 2 | 93-10 | 10478131 | 5A-390 |
| n/i | Solenoid | 1 | 96-06 | 24209121 | 5A-392A |
| n/i | Solenoid (PWM) | 1/2 | 93-06 | 24227792 | 5A-393 |
| n/i | Solenoid | 1 | 93-02 | 24220158 | 5A-400 |
| n/i | Kit, repair EPC solenoid (w/reamer) | 1 | 93-02 | 4L6-SOL-KIT | 5A-400-RKR |
| n/i | Refill, repair kit-EPC solenoid | 1 | 93-02 | 4L6-SOL-4 | 5A-400-RK |
| n/i | Solenoid | 1 | 03-06 | 24224905 | 5A-400A |
| n/i | Switch, manifold pressure | 1 | 93-06 | 24219581 | 15A-206 |
| n/i | Solenoid, TCC w/internal harness | 1 | 93-02 | 350-0020 | 16A-101 |
| n/i | Solenoid, TCC w/internal harness | 1 | 03-06 | 24222 891 | 16A-101A |

TH700-R4•700-R4•4L60•4L60E•4L65E•4L70E•4L75E

TH700-R4•4L60•E•65E•70E•75E

| ILL | DESCRIPTION | QTY | YEAR | REFERENCE # | PART # | |
|--|--|--------------------------------------|------|-------------|-----------------|-----------|
| ELECTRICAL COMPONENTS (CONTINUED) | | | | | | |
| n/i | Solenoid, TCC w/internal harness | 4L60E/65E (w/input speed sensor) | 1 | 05-10 | 24234138 | 16A-101B |
| n/i | Solenoid w/internal harness | lock-up/TCC (w/o input speed sensor) | 1 | 03-05 | 24234280 | 24234280 |
| n/i | Solenoid w/interl harness 17 pins con | lock-up/TCC (w/internal mode switch) | 1 | 09-10 | 24237980 | 24237980 |
| n/i | Switch, manual lever position | 4L60E | 1 | 95-03 | 12450016 | 5A-97 |
| n/i | Switch, PRNDL/MPLS (NSUB switch) | 4L60E (4.3L only tan w/seal) | 1 | 00-03 | 29540479 | 5A-98 |
| n/i | Switch, manual lever position | 4L65E (single plug) | 1 | 04-10 | 24221125 | 5A-97A |
| n/i | Harness, wiring repair (MLPS)(7 wires) | 4L60E | 1 | 95-10 | 15305887 | 16A-157 |
| n/i | Harness, wiring repair (MLPS)(4 wires) | 4L60E | 1 | 95-06 | 15305925 | 16A-158 |
| n/i | Switch, internal mode (MLPS) | 4L65E/70E | 1 | 09-10 | 24235261 | 24235261 |
| n/i | Harness, wiring repair (external) | 4L60E | 1 | 93-10 | 350-0014 | 16A-103 |
| n/i | Harness, wiring repair (ECM) | 4L60E | 1 | 93-10 | 350-0063 | 16A-140 |
| n/i | Harness, wiring repair (PRNDL) | 4L60E | 1 | 93-10 | 350-0077 | 16A-156 |
| n/i | Harness, wiring repair (VSS) | TH700-R4/4L60E | 1 | 88-06 | 12101899 | 16A-159 |
| n/i | Sensor, vehicle speed 2.080" od | TH700-R4/4L60E | 1 | 88-96 | 8673299 | 05-106 |
| n/i | Sensor, vehicle speed .920" od | 4L60E/65E/70E | 1 | 96-10 | 10456194 | 05-107 |
| n/i | Sensor, input speed | 4L60E/65E/70E | 1 | 05-07 | 24237866 | 15A-194 |
| SWITCH KITS | | | | | | |
| n/i | Switch kit, TH700-R4 to TH350 | 4WD | 1 | 82-92 | 7-35A | 7-35A |
| n/i | Switch kit, TH700-R4 to TH350 | 2WD (pickups/passenger cars) | 1 | 82-92 | 7-35B | 7-35B |
| n/i | Switch kit, TH700-R4 to TH350 Corvette | Corvette | 1 | 82-92 | 7-35C | 7-35C |
| n/i | Switch kit, TH700-R4 to TH350 | S10/S15 4WD (w/converter) | 1 | 82-92 | 7S-35A | 7S-35A |
| n/i | Switch kit, TH700-R4 to TH350 | S10/S15 2WD (w/converter) | 1 | 82-92 | 7S-35B | 7S-35B |
| n/i | Switch kit, TH700-R4 to TH400 | 4WD | 1 | 82-84 | 7-40A | 7-40A |
| n/i | Switch kit, TH700-R4 to TH400 | 2WD | 1 | 82-92 | 7-40B | 7-40B |
| n/i | Switch kit, TH700-R4 to TH400 | 4WD | 1 | 85-92 | 7-40C | 7-40C |
| n/i | Switch kit, TH700-R4 to TH350 | 4WD block only | 1 | 82-92 | 7Q35A | 7Q35A |
| n/i | Switch kit, TH700-R4 to TH350 | 2WD block only | 1 | 82-92 | 7Q35B | 7Q35B |
| n/i | Switch kit, TH700-R4 to TH350 | 2Wd | 1 | 82-92 | S-350-2 | S-350-2 |
| n/i | Switch kit, TH700-R4 to TH350 | 4WD | 1 | 82-92 | S-350-4 | S-350-4 |
| SPRAGS | | | | | | |
| D122 | Sprag, assembly (26 elements) | TH700-R4 (forward) | 1 | 82-86 | AE | K61725-R |
| D122 | Sprag, assembly (28 elements) | TH700-R4/4L60E (forward) | 1 | 82-10 | 8657929 | K61725A |
| D122 | Sprag, assembly (28 elements) | TH700-R4/4L60E (forward) | 1 | 82-10 | 8657929 | K61725A-R |
| D122 | Sprag, (26 elements) | TH700-R4 (forward) | 1 | 82-86 | 8647084R | 61725-R |
| D123 | Sprag .700" 2.295" od (26 elements) | TH700-R4 (forward) | 1 | 82-86 | 8663774/8647084 | 61725 |
| D123 | Sprag, (29 elements) | TH700-R4/4L60E (forward)(3rd design) | 1 | 87-10 | 8663773/8654441 | 61725A |
| D123 | Sprag, (28/29 elements) | TH700-R4/4L60E (forward)(rebuilt) | 1 | 87-10 | 8654441R | 61725A-R |
| F124 | Roller clutch | TH700-R4 (low/reverse)(narrow) | 1 | 82-85 | 6261305 | 35503 |
| F124 | Roller clutch (wide) | TH700-R4/4L60E (low/reverse) | 1 | 86-10 | 8663094 | 61503 |
| BONDED PISTONS | | | | | | |
| K43 | Kit, bonded piston (bonded rubber) | 4L60E/65E | 1 | 93-10 | A/E | K61585 |
| C110 | Piston, bonded rubber | 4L60E/65E (3-4) | 1 | 94-10 | 24200290 | 61538 |
| C111 | Piston, bonded rubber | 4L60E/65E (forward) | 1 | 97-10 | 24205272 | 61534 |
| C116 | Piston, bonded rubber | 4L60E/65E (overrun) | 1 | 97-10 | 24205273 | 61530 |
| NOTES | | | | | | |
| | | | | | | |
| | | | | | | |
| | | | | | | |
| | | | | | | |
| | | | | | | |
| | | | | | | |
| | | | | | | |
| | | | | | | |
| | | | | | | |
| | | | | | | |
| | | | | | | |



4L80E/85E
34000E

| ILL | DESCRIPTION | QTY | YEAR | REFERENCE # | PART # |
|--------------------------------------|--|-----|-------|-------------|-----------|
| TECHNICAL MANUALS | | | | | |
| K53 | Tech manual 4L80-E dis/assembly | 1 | 91-07 | 83-4L80ETM | 010-314 |
| K53 | Diagnostic code book | 1 | 96-07 | ANEWGMCBTM | 010-327 |
| REBUILDER KITS | | | | | |
| K4 | Master deluxe rebuild kit | 1 | 91-96 | AE | K3400E-R |
| K4 | Master deluxe rebuild kit | 1 | 97-09 | AE | K3400F-R |
| K5 | Master kit w/steels | 1 | 91-96 | AE | K3400E |
| K5 | Master kit w/steels | 1 | 97-09 | AE | K3400F |
| K6 | Master kit w/o steels | 1 | 91-96 | AE | K3400E-LS |
| K6 | Master kit w/o steels | 1 | 97-09 | AE | K3400F-LS |
| K7 | O/H gasket set w/seals-rings | 1 | 91-09 | AE | K34900E |
| K11 | Gasket and seal kit | 1 | 91-09 | AE | K34900E-1 |
| VALVE BODY KITS | | | | | |
| K15 | Shift Kit® corrects direct clutch burn up | 1 | 91-05 | SK® 4L80E | K34908E |
| K15 | Reprogramming Kit™ ends dir clutch burn up | 1 | 91-07 | 4L80E-HD2 | 4L80E-HD2 |
| K15 | Reprogramming Kit™ includes 48-MOD | 1 | 91-07 | 4L80E-3 | 4L80E-3 |
| K15 | Vacuum controlled line pressure kit | 1 | 91-03 | 48-MOD | K34908M |
| K15 | Correction Package eliminate high press | 1 | 91-96 | K4L80E | S34908E |
| K15 | Shift Improver Kit performance | 1 | 91-96 | 10024 | 114-10024 |
| K15 | Transpak™ performance | 1 | 91-96 | 10054 | 114-10054 |
| K15 | Kit, actuator limit valve repair (5 sets) | 1 | 91-04 | 48-ACT-TL | K34912 |
| K15 | Refills, actuator limit valve | 1 | 91-04 | 48-ACT-4L6 | K34910 |
| GASKETS AND RUBBER COMPONENTS | | | | | |
| G1 | Gasket, oil pan | 1 | 91-09 | 8677743D | 13998D |
| G1 | Gasket, oil pan | 1 | 91-09 | 8677743 | 13998X |
| G1 | Gasket, oil pan | 1 | 93-09 | JLM010975 | 13998AD |
| A2 | Seal, lathe cut | 1 | 91-09 | 8654716 | 1001 |
| A3 | Gasket | 1 | 91-09 | 8677782 | 1002 |
| A5 | O'ring | 1 | 91-09 | 8661760 | 1023 |
| F6 | Seal, lathe cut | 1 | 91-09 | 8681168 | 1003 |
| G7 | Multi-lip seal | 1 | 91-09 | 8656613 | 13987 |
| G8 | Gasket, valve body | 1 | 91-09 | 8680583 | 1004 |
| G9 | Gasket | 1 | 91-09 | 8661829 | 1005 |
| G10 | Gasket, valve body | 1 | 91-09 | 8680593 | 1006 |
| G11 | Gasket (metal) | 1 | 91-09 | 8675728 | 1007 |
| G12 | Seal, lathe cut | 1 | 91-09 | 8623430 | 3921L |
| G13 | Seal, lathe cut | 2 | 91-09 | 8661647 | 1071 |
| G14 | Seal, lathe cut | 1 | 91-09 | 8661639 | 1072 |
| B17 | Lip seal | 1 | 91-09 | 24202358 | 1008 |
| B18 | Lip seal | 1 | 91-09 | 24202357 | 1009 |
| C19 | Lip seal | 1 | 91-09 | 8677584 | 3284L |
| C19 | Lip seal | 1 | 91-96 | 24202359 | 3284AL |
| C20 | Lip seal | 2 | 91-09 | 8677583 | 3643L |
| C21 | Lip seal | 2 | 91-09 | 8677582 | 3956L |
| D24 | Lip seal | 1 | 91-09 | 8675636 | 3963L |
| D25 | Lip seal | 1 | 91-09 | 8675637 | 3962L |
| G48 | Seal, lathe cut | 1 | 91-06 | 8661890 | 1073 |
| G49 | Seal, lathe cut | 1 | 91-06 | 8678294 | 1074 |
| n/i | O'ring | 7 | 91-09 | 8655281 | 13268C |
| n/i | Ball, check (1/4" steel) | 1 | 91-09 | 104918 | 13924S |
| n/i | O'ring | 1 | 91-09 | 8616504 | 3267L |
| n/i | Multi lip seal (boot) | 1 | 91-09 | 1259475 | 13925 |
| n/i | O'ring | 1 | 91-09 | 15742 | 1024 |
| n/i | O'ring .970" | 1/2 | 91-09 | 15116 | 1025 |

4L80E•4L85E

4L80E•4L85E

| ILL | DESCRIPTION | QTY | YEAR | REFERENCE # | PART # | |
|--|--|--|------|-------------|------------|------------|
| GASKETS AND RUBBER COMPONENTS (CONTINUED) | | | | | | |
| n/i | O'ring 3/8" line | 4L80E (cooler line fittings) | 1 | 97-09 | 17012 | 1077 |
| n/i | O'ring | 4L80E (cooler line fittings) | 1 | 97-09 | 8680235 | 1078 |
| METAL CLAD SEALS | | | | | | |
| A39 | Seal, metal clad | 4L80E (front) | 1 | 91-09 | 8661602 | 34151 |
| F40 | Seal, metal clad (w/flange) | 4L80E (w/brake drum) | 1 | 91-09 | 8655032 | 205-21111 |
| F40 | Seal, metal clad (w/flange) | 4L80E (extension housing w/o boot) | 1 | 91-06 | 8675730 | 34743D |
| F40 | Seal, metal clad (w/boot) | 4L80E (extension housing) | 1 | 91-09 | 8677463 | 34743G |
| F41 | Seal, metal clad | 4L80E (rear lube/fits in case) | 1 | 91-09 | 8675517 | 34730 |
| G42 | Seal, metal clad | 4L80E (manual lever shaft) | 1 | 91-09 | 8657163 | 38511 |
| n/i | Seal, metal clad | center support lube to case under VB | 1 | 97-09 | 24203511 | 34511 |
| SEALING RINGS | | | | | | |
| K10 | Kit, sealing ring complete | 4L80E | 1 | 91-09 | AE | K34901E |
| K10 | Kit, heavy duty hi-temp rings | 4L80E | 1 | 91-09 | 4L80E-HTRK | K34901E-HD |
| D44 | Ring, sealing (teflon) | 4L80E (center support) | 4 | 91-09 | 8675729 | 34713T |
| E45 | Ring, sealing (teflon) | 4L80E (pump stator) | 2 | 91-09 | 8661789 | 34714T |
| A46 | Ring, sealing (teflon) | 4L80E (turbine shaft to stator) | 2 | 91-09 | 8661894 | 34715T |
| A47 | Ring, sealing (teflon) | 4L80E (turbine shaft to forward housing) | 2 | 91-09 | 8661893 | 34716T |
| G48 | Ring, sealing (teflon) | 4L80E (1/2 accumulator piston outer) | 1 | 91-09 | 8627153 | 34712T |
| G49 | Ring, sealing (teflon) | 4L80E (1/2 accumulator piston inner) | 1 | 91-09 | 8623671 | 34710AT |
| G50 | Ring, sealing (cast iron) | 4L80E (front servo piston) | 1 | 91-09 | 8623131 | 34711 |
| G50 | Ring, sealing (teflon) | 4L80E (front servo piston) | 1 | 91-09 | 8623131T | 34711T |
| CLUTCH PLATES | | | | | | |
| B54 | Friction .080" 5.374" od 45T | 4L80E (overrun clutch) | 3 | 91-09 | 8661571 | 34102 |
| B55 | Steel .099" 4.520" id 14T | 4L80E (overrun clutch) | 3 | 91-96 | 8661569 | 34101 |
| B55 | Steel .099" 4.520" id 14T (w/7 holes) | 4L80E (overrun clutch) | 3 | 97-09 | 24204287 | 34101A |
| B56 | Friction .080" 7.299" od 60T | 4L80E (4th clutch) (overdrive) | 4 | 91-09 | 86661590 | 34103 |
| B57 | Steel .099" 6.300" id 8T | 4L80E (4th clutch) (overdrive) | 4 | 91-96 | 8661579 | 34104 |
| B57 | Steel .099" 6.300" id 8T (w/4 holes) | 4L80E (4th clutch) (overdrive) | 4 | 97-09 | 24204283 | 34104A |
| C58 | Friction .080" 5.901" od 42T | 4L80E (forward/direct clutch) | 5/10 | 91-95 | 8655619 | 34304 |
| C58 | Friction .080" (high energy) | 4L80E (forward/direct clutch) | 5/10 | 96-09 | 24202646 | 34304C |
| C58 | Friction .080" 5.901" od 42T | 4L80E (forward/direct clutch) | 5/10 | 91-09 | 8655619HP | 34304H |
| C58 | Friction .061" 5.901" od 42T | 4L80E (forward/direct clutch) | ar | 91-09 | n/a | 34304X |
| C59 | Steel .077" 4.585" id 12T | 4L80E (forward clutch) | 4 | 91-09 | 8623849 | 34305A |
| C59 | Steel .077" 4.585" id 12T (Kolene®) | 4L80E (forward clutch) | 4 | 91-09 | 8623849 | 34305AK |
| C59 | Steel .060" .090" 4.585" id 12T | 4L80E (forward/direct clutch) | ar | 91-09 | n/a | 34305 |
| C60 | Steel, dished .055" | 4L80E (forward/direct clutch)(cushion) | 2 | 91-09 | 8625196 | 34305D |
| C63 | Steel .090" 4.585" id 12T | 4L80E (direct clutch) | 5 | 91-09 | 8628197 | 34305C |
| C63 | Steel .090" 4.585" id 12T (Kolene®) | 4L80E (direct clutch) | 5 | 91-09 | 8625197 | 34305CK |
| D64 | Friction .080" 6.561" od 47T | 4L80E (intermediate clutch) | 4 | 91-95 | 8675521 | 34404C |
| D64 | Friction .080" 6.561" od 47T (high energy) | 4L80E (intermediate clutch) | 4 | 91-96 | 86675521 | 34404B |
| D64 | Friction .072" 6.561" od 47T (high energy) | 4L80E (intermediate clutch) | 4 | 96-09 | 24202966 | 34404D |
| D64 | Friction .080" 6.561" od 47T | intermediate clutch (high performance) | 4 | 91-09 | 8655620HP | 34404H |
| D65 | Steel .076" 6.561" od 47T | 4L80E (intermediate clutch) | 4 | 91-09 | 8675522 | 34405E |
| PRESSURE PLATES | | | | | | |
| B67 | Pressure plate | 4L80E (overrun clutch) | 1 | 91-09 | 8661573 | 34423-R |
| B68 | Pressure plate | 4L80E (4th clutch) | 1 | 91-99 | 8661582 | 34429-R |
| B68 | Pressure plate | 4L80E (4th clutch) | 1 | 00-09 | 8661582 | 34429A-R |
| D69 | Pressure plate | 4L80E (direct clutch) | 1 | 91-09 | 8675557 | 34421-R |
| D70 | Pressure plate .370" | 4L80E (intermediate clutch) | 1 | 91-98 | 8675519 | 34422A-R |
| D70 | Pressure plate .275" | 4L80E (intermediate clutch) | 1 | 99-09 | 24205827 | 34422B-R |
| C71 | Pressure plate | forward clutch and direct clutch hub | 1 | 91-09 | 8661837 | 34416-R |
| | | | | | | |
| | | | | | | |

| ILL | DESCRIPTION | QTY | YEAR | REFERENCE # | PART # |
|-------------------------------------|--|-----|-------|-------------|----------|
| FILTERS | | | | | |
| K9 | Kit, filter 4L80E (elasomeric) | 1 | 91-96 | AE | FK34661E |
| K9 | Kit, filter 4L80E (Duraprene®) | 1 | 91-96 | AE | DK34661E |
| K9 | Kit, filter 4L80E (elasomeric) | 1 | 97-09 | AE | FK34661F |
| K9 | Kit, filter 4L80E (Duraprene®) | 1 | 97-09 | AE | DK34661F |
| G72 | Filter 4L80E | 1 | 91-96 | 8678757 | 34661E |
| G72 | Filter 4L80E | 1 | 97-09 | 24210956 | 34661F |
| n/i | Screen, filter 4L80E (lock-up/TCC solenoid) | 1 | 91-09 | 8661834 | 34714 |
| n/i | Screen, filter 4L80E (PCS) | 1 | 91-09 | 8685041 | 34715 |
| n/i | Screen, filter (not in kits) 4L80E (actuator feed) | 1 | 91-09 | 8661709 | 34716 |
| BANDS | | | | | |
| D77 | Band 1" wide 4L80E (front) | 1 | 91-09 | 24202631 | 34325 |
| D77 | Band 1 1/4" w (high energy)(not in kit) 4L80E (front) | 1 | 99-09 | 24210080 | 34325A |
| D77 | Band (heavy duty) 4L80E (front) | 1 | 91-09 | 8675578 | 34325HD |
| E78 | Band (double wrap) 4L80E (rear) | 1 | 91-09 | 24200468 | 34510 |
| BUSHINGS | | | | | |
| K13 | Kit, bushing 4L80E | 1 | 91-96 | AE | K34903E |
| K13 | Kit, bushing 4L80E | 1 | 97-09 | AE | K34903F |
| A79 | Bushing 4L80E (pump body) | 1 | 91-96 | 8682195 | 34001 |
| A79 | Bushing 4L80E (pump body) | 1 | 97-09 | 24205783 | 34001A |
| A80 | Bushing 4L80E (stator support front) | 1 | 91-09 | 8683008 | 34016 |
| A81 | Bushing 4L80E (stator support rear) | 1 | 91-09 | 8661614 | 34017 |
| B82 | Bushing 4L80E (forward housing) | 1 | 91-09 | 8661284 | 34013 |
| A83 | Bushing 4L80E (overrun clutch housing front) | 1 | 91-09 | 8661604 | 34002E |
| A84 | Bushing (not in kit) 4L80E (overrun clutch housing rear) | 1 | 91-09 | 8623944 | 34002 |
| E85 | Bushing (not in kit) 4L80E (sun gear shaft) | 2 | 91-96 | 8623944 | 34002 |
| E85 | Bushing w/4 id oil grooves 4L80E (sun gear shaft) | 2 | 97-09 | 27207201 | 34002A |
| F86 | Bushing 4L80E (output shaft) | 1 | 91-09 | 8653985 | 34004A |
| E87 | Bushing 4L80E (reaction carrier) | 1 | 91-09 | 8623192 | 34008 |
| F88 | Bushing 4L80E (extension housing) | 1 | 91-04 | 8623966 | 34005C |
| F88 | Bushing 4L80E (extension housing) | 1 | 04-09 | 34066EX | 34005D |
| D89 | Bushing 4L80E (center support) | 1 | 91-96 | 8655622 | 34003A |
| D89 | Bushing 4L80E (center support) | 1 | 97-09 | 24203510 | 34003B |
| F90 | Bushing 4L80E (case rear) | 1 | 91-09 | 8677221 | 34006A |
| WASHERS/BEARINGS/RACES/SHIMS | | | | | |
| K12 | Kit, thrust bearing 4L80E | 1 | 91-09 | AE | K34907A |
| K14 | Kit, thrust washer 4L80E (w/popular front selective) | 1 | 91-09 | AE | K34907E |
| C91 | Thrust washer (metal) 4L80E (forward clutch hub to direct drum) | 1 | 91-09 | 8624781 | 34301 |
| D92 | Washer, thrust (metal) 4L80E (center support to reaction carrier) | 1 | 91-09 | 8623211 | 34401 |
| E93 | Washer, thrust (metal) .060" (4 tabs) 4L80E (reaction carrier to rear planetary) | 1 | 91-01 | 8626372 | 32406 |
| E93 | Thrust washer 4L80E (reaction carrier to rear planetary) | 1 | 02-09 | 24214809 | 34501B |
| F94 | Washer, thrust (metal) .060" (4 tabs) 4L80E (output shaft to thrust washer) | 1 | 91-09 | 8626372 | 32406 |
| F95 | Washer, thrust (metal) .075"-.078" 4L80E (thrust washer to case) | sel | 91-09 | 8625401 | 34601 |
| F95 | Washer, thrust (metal) .082"-.086" 4L80E (thrust washer to case) | sel | 91-09 | 8625402 | 34601A |
| F95 | Washer, thrust (metal) .090"-.094" 4L80E (thrust washer to case) | sel | 91-09 | 8625403 | 34601B |
| F95 | Washer, thrust (metal) .098"-.102" 4L80E (thrust washer to case) | sel | 91-09 | 8625404 | 34601C |
| F95 | Washer, thrust (metal) .106"-.110" 4L80E (thrust washer to case) | sel | 91-09 | 8625405 | 34601D |
| F95 | Washer, thrust (metal) .114"-.118" 4L80E (thrust washer to case) | sel | 91-09 | 8625406 | 34601E |
| F95 | Washer, thrust (case saver) 4L80E (thrust washer to case) | 1 | 91-09 | 34270T | 34601X |
| C96 | Washer, thrust (metal) forward housing to forward clutch hub | 1 | 91-09 | 8624196 | 34339 |
| A97 | Thrust washer .059" 4L80E (pump stator to overrun housing) | sel | 91-09 | 8677571 | 34206 |
| A97 | Thrust washer .075" 4L80E (pump stator to overrun housing) | sel | 91-09 | 8677572 | 34206A |
| A97 | Thrust washer .091" 4L80E (pump stator to overrun housing) | sel | 91-09 | 8677573 | 34206B |
| A97 | Thrust washer .107" 4L80E (pump stator to overrun housing) | sel | 91-09 | 8677374 | 34206C |

4L80E•4L85E

4L80E•4L85E

| ILL | DESCRIPTION | QTY | YEAR | REFERENCE # | PART # | |
|---|---|---|------|-------------|-----------|----------|
| WASHERS/BEARINGS/RACES/SHIMS (CONTINUED) | | | | | | |
| A97 | Thrust washer .123" | 4L80E (pump stator to overrun housing) | sel | 91-09 | 8677575 | 34206D |
| C99 | Bearing, thrust | 4L80E (forward drum to overdrive carrier) | 1 | 91-09 | 8628202 | 32404 |
| D100 | Bearing, thrust (3 piece) | 4L80E (center support to sun gear) | 1 | 91-09 | 8623920 | 34920 |
| E101 | Bearing, thrust (3 piece) | 4L80E (rear planetary to rear ring gear) | 1 | 91-09 | 24208848 | 34921 |
| E102 | Bearing, thrust (3 piece) | 4L80E (rear ring gear to output shaft) | 1 | 91-09 | 8623922 | 34922 |
| E103 | Shim .041" | 4L80E (rear ring gear) | 1 | 99-09 | 24211821 | 34340 |
| SNAP RINGS | | | | | | |
| A123 | Snap ring | 4L80E (overrun spring retainer) | 1 | 91-01 | 8661568 | 34600 |
| A123 | Snap ring | 4L80E (overrun spring retainer) | 1 | 02-09 | 24216149 | 34602 |
| D135 | Snap ring (spiral) | 4L80E (intermediate) | 1 | 91-06 | n/a | 34418SR |
| PUMP PARTS AND PUMPS | | | | | | |
| A105 | Pump assembly | 4L80E | 1 | 91-96 | AE | 34200E-R |
| A105 | Pump assembly | 4L80E | 1 | 97-03 | AE | 34200F-R |
| A105 | Pump assembly | 4L80E | 1 | 04-09 | AE | 34200G-R |
| A105 | Pump assembly | 4L80E | 1 | 04-09 | 24230111 | 34200G |
| A106 | Body, pump w/gears | 4L80E | 1 | 91-96 | 8080908 | 34300E |
| A106 | Body, pump w/gears | 4L80E | 1 | 97-09 | 24204303 | 34300F |
| A107 | Stator, pump (cover support) | 4L80E | 1 | 91-96 | 8682038 | 34400E |
| A107 | Stator, pump (cover support) | 4L80E | 1 | 97-03 | 24204303 | 34400F |
| A107 | Stator, pump (cover support) | 4L80E | 1 | 04-09 | AE | 34400G-R |
| A108 | Gear set, pump | 4L80E | 1 | 91-09 | AE | K34201E |
| n/i | Sleeve, stator repair | 4L80E | 1 | 91-09 | 4L8SS | 34641 |
| n/i | Plug, aluminum | converts 2nd design stator to 3rd design | 1 | 04-09 | 24232333 | 34643 |
| HARD PARTS | | | | | | |
| G120 | Valve body spacer plate (improved) | universal 4L80E | 1 | 91-04 | 48-PLT-01 | 34750 |
| G120 | Valve body spacer plate w/5.7 | * 1 4L80E | 1 | 91-91 | 8680654 | 8680654 |
| G120 | Valve body spacer plate w/6.2 diesel | * 1 w/5.7 1992-93 and 7.4 1500 series | 1 | 91-93 | 8685689 | 8685689 |
| G120 | Valve body spacer plate | * 1 4L80E | 1 | 91-92 | 8685690 | 8685690 |
| G120 | Valve body spacer plate w/7.4 | * 1 2500/3500 series | 1 | 91-93 | 8685691 | 8685691 |
| G120 | Valve body spacer plate w/4.3 | * 1 4L80E | 1 | 91-93 | 8685688 | 8685688 |
| G120 | Valve body spacer plate w/6.2 diesel | * 1 4L80E | 1 | 94-94 | 24200437 | 24200437 |
| G120 | Valve body spacer plate w/4.3 | * 1 4L80E | 1 | 94-94 | 8684223 | 8684223 |
| G120 | Valve body spacer plate w/5.7 and 7.4 | * 1 4L80E | 1 | 94-94 | 8684225 | 8684225 |
| G120 | Valve body spacer plate w/6.2 diesel | * 1 4L80E | 1 | 95-95 | 24200732 | 24200732 |
| G120 | Valve body spacer plate | * 1 4L80E (w/4.3/5.7/7.4) | 1 | 95-95 | 24200731 | 24200731 |
| G120 | Valve body spacer plate | * 1 4L80E (w/4.3/6.2 diesel) | 1 | 97-03 | 24204270 | 24204270 |
| G120 | Valve body spacer plate | * 1 4L80E (w/5.7) | 1 | 97-03 | 24204272 | 24204272 |
| G120 | Valve body spacer plate | * 1 4L80E (w/7.4) | 1 | 97-03 | 24204269 | 24204269 |
| G120 | Valve body spacer plate | * 1 4L80E | 1 | 04-07 | 24226081 | 24226081 |
| G120 | Valve body spacer plate | * 1 4L80E | 1 | 04-07 | 24226217 | 24226217 |
| note | * 1# on plate is last 4 digits of OEM # | note | | | | |
| A122 | Retainer and spring assembly | 4L80E (overrun) | 1 | 91-01 | 8661629 | 34981 |
| A122 | Retainer and spring assembly | 4L80E (overrun) | 1 | 02-09 | 24216366 | 34982 |
| C127 | Piston, aluminum | 4L80E (forward clutch) | 1 | 91-96 | 8675508 | 34535 |
| C128 | Piston, aluminum | 4L80E (direct clutch) | 1 | 91-96 | 8675511 | 34533 |
| C129 | Hub (cast) | 4L80E (forward clutch) | 1 | 91-06 | 8677091 | 34870A-R |
| C129 | Hub (steel) | 4L80E (forward clutch) | 1 | 91-06 | 21202 | 34870B |
| A130 | Shaft, turbine | 4L80E | 1 | 91-06 | 24200128 | 34731 |
| A130 | Shaft, turbine | 4L80E | 1 | 91-06 | 24200128 | 34731-R |
| D132 | Race, (outer) | 4L80E (intermediate clutch) | 1 | 91-06 | 8675520 | 34839A-R |
| E136 | Carrier, reaction | 4L80E (front planetary) | 1 | 91-98 | 24205551 | 34875A-R |
| E136 | Carrier, reaction (straight cut) | 4L80E (front planetary) | 1 | 91-98 | 24205552 | 34875B-R |
| E136 | Carrier, reaction | 4L80E (front planetary) | 1 | 99-06 | 24202051 | 34875C |

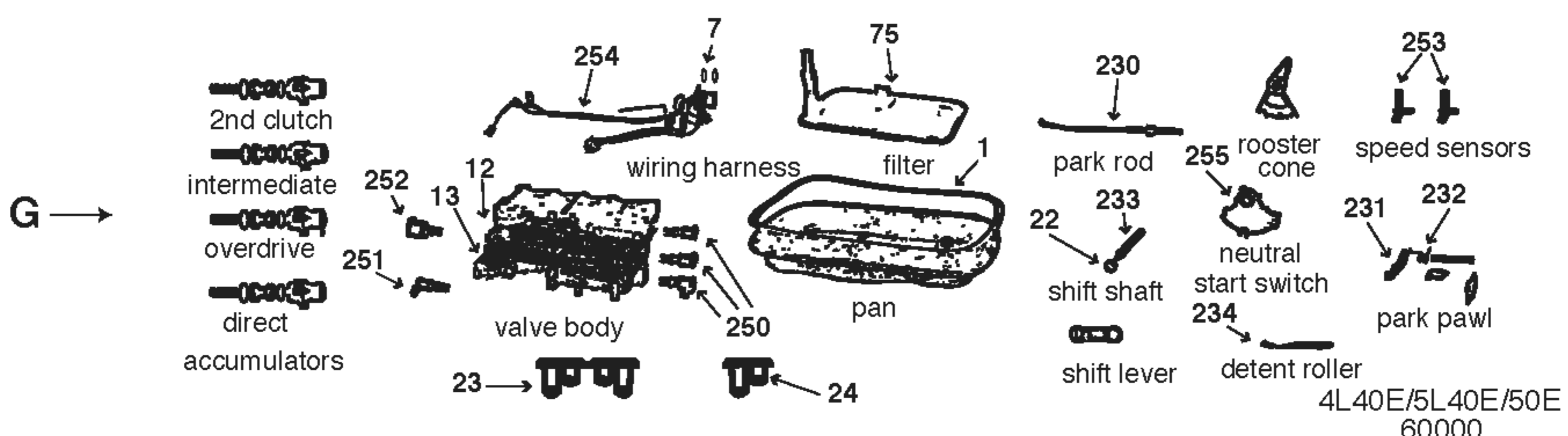
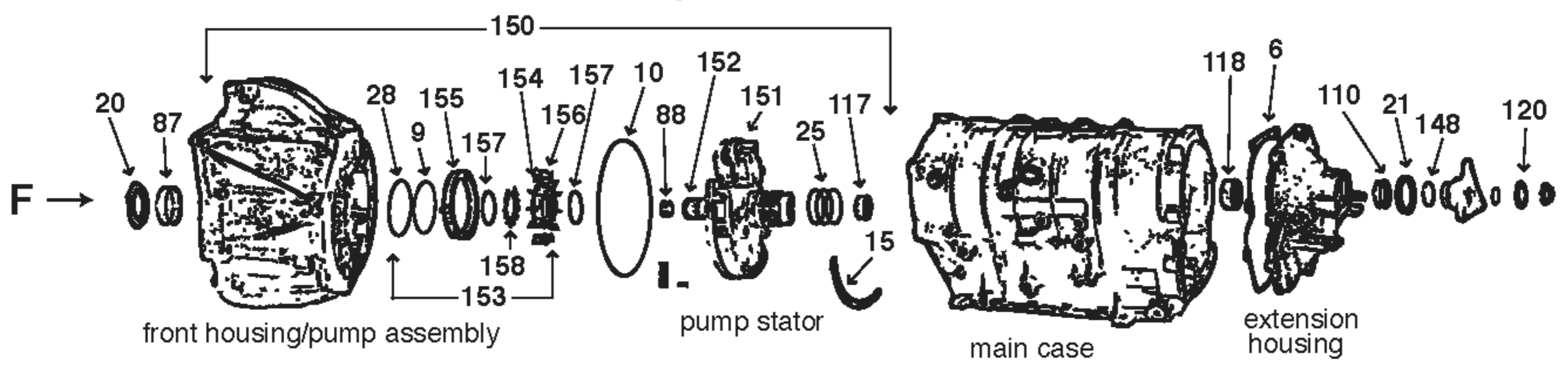
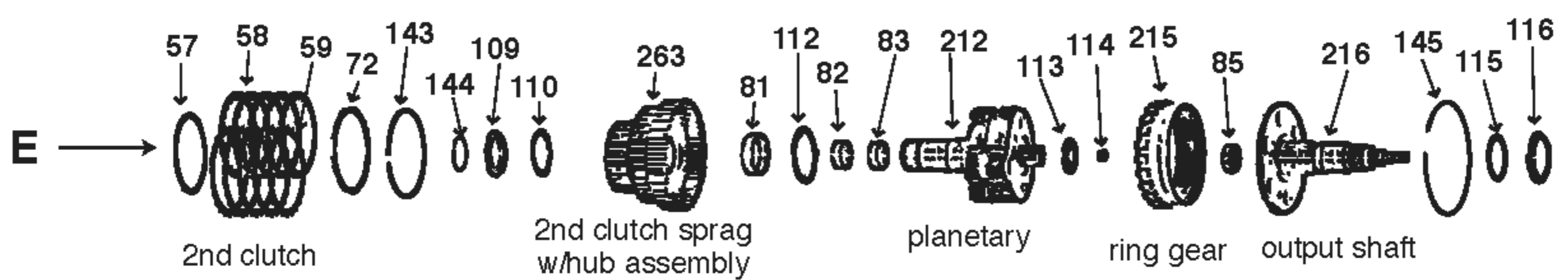
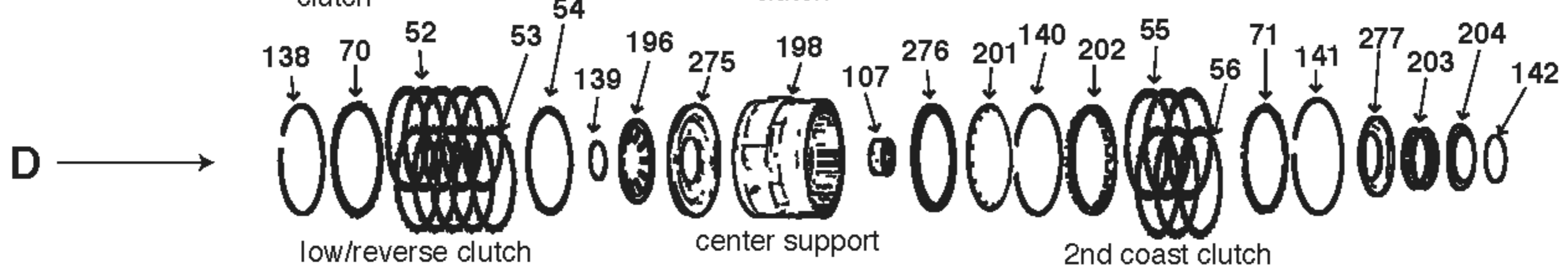
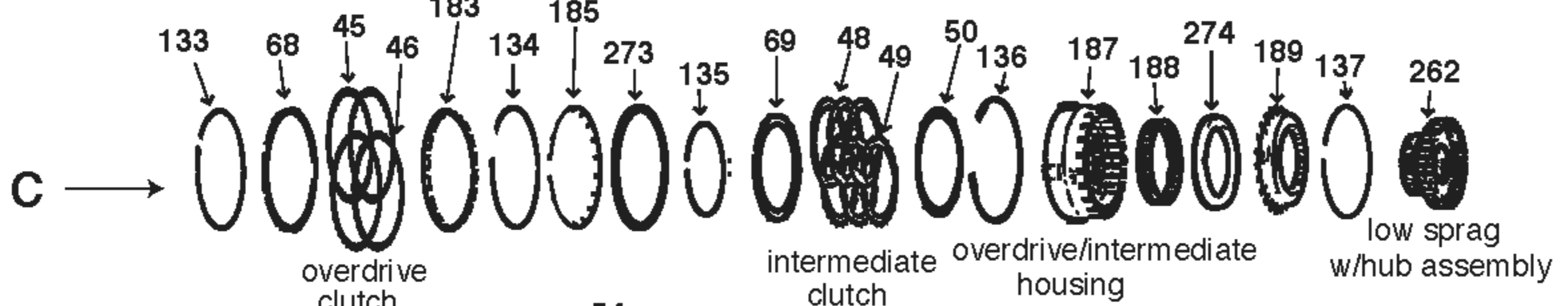
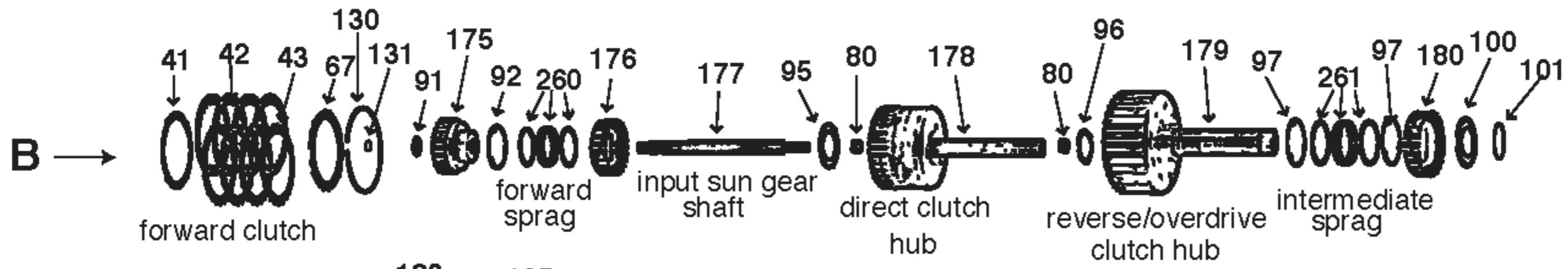
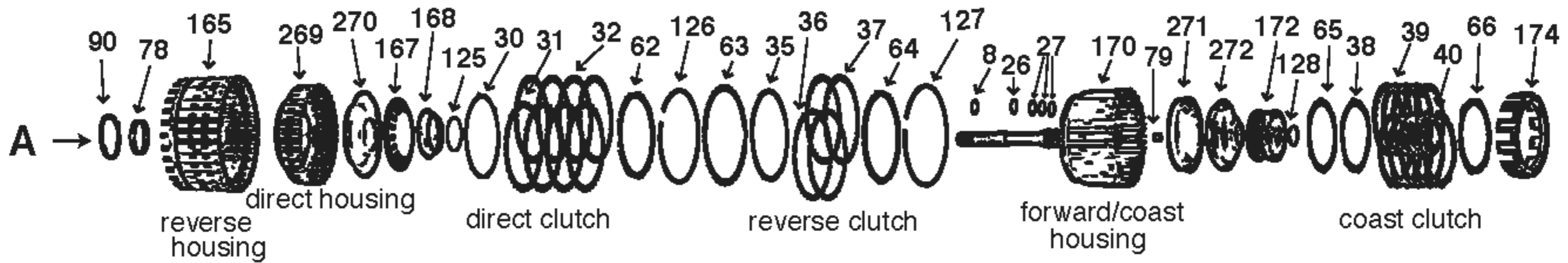
| ILL | DESCRIPTION | QTY | YEAR | REFERENCE # | PART # |
|-------------------------------|--|-----|-------|-------------|----------|
| HARD PARTS (CONTINUED) | | | | | |
| E136 | Carrier, reaction 4L80E (front planetary) | 1 | 99-06 | 24202051 | 34875C-R |
| E136 | Carrier, reaction (straight cut) 4L80E (front planetary) | 1 | 99-06 | n/a | 34875D-R |
| B139 | Housing, forward clutch 4L80E | 1 | 91-96 | 8680917 | 34725 |
| B139 | Housing, forward clutch 4L80E | 1 | 91-96 | 8680917 | 34725-R |
| B139 | Housing, forward clutch 4L80E (use w/34531 inner sleeve) | 1 | 97-06 | 24208850 | 34725A |
| B139 | Housing, forward clutch 4L80E | 1 | 97-07 | 24334155 | D34725A |
| B139 | Housing, forward clutch 4L80E | 1 | 97-06 | 24208850 | 34725A-R |
| A140 | Housing, overrun clutch 4L80E | 1 | 91-01 | 8680918 | 34727 |
| A140 | Housing, overrun clutch 4L80E | 1 | 02-06 | n/a | 34727A-R |
| E141 | Carrier, output (heli cut gears) 4L80E (rear planetary) | 1 | 91-98 | 8675611 | 34880E |
| E141 | Carrier, output (heli cut gears) 4L80E (rear planetary) | 1 | 91-98 | 8675611 | 34880E-R |
| E141 | Carrier, output (straight cut gears) 4L80E (rear planetary) | 1 | 91-06 | 8675612 | 34880F |
| E141 | Carrier, output (straight cut gears) 4L80E (rear planetary) | 1 | 91-06 | 8675612 | 34880F-R |
| E141 | Carrier, output (heli cut gears) 4L80E (rear planetary) | 1 | 99-06 | 24202052 | 34880G |
| E141 | Carrier, output (heli cut gears) 4L80E (rear planetary) | 1 | 99-01 | 24202052 | 34880G-R |
| E141 | Carrier, output (straight cut gears) 4L80E (rear planetary) | 1 | 99-01 | n/a | 34880H-R |
| E141 | Carrier, output (RWD w/2 washer holes) 4L80E (rear planetary) | 1 | 02-06 | 24214966 | 34880J-R |
| E141 | Carrier, output (4x4 w/2 washer holes) 4L80E (rear planetary) | 1 | 02-06 | 24215388 | 34880K-R |
| E142 | Shaft, sun gear 4L80E | 1 | 91-96 | 8661708 | 34872A-R |
| E142 | Shaft, sun gear 4L80E | 1 | 97-98 | 24207247 | 34872B |
| E142 | Shaft, sun gear 4L80E | 1 | 97-98 | 24207247 | 34872B-R |
| E142 | Shaft, sun gear 4L80E | 1 | 99-06 | 24207264 | 34872C-R |
| E143 | Gear, sun 4L80E | 1 | 91-96 | 8626807 | 34873A-R |
| E143 | Gear, sun (straight cut) 4L80E | 1 | 91-96 | 8627130 | 34873B-R |
| E143 | Gear, sun 4L80E | 1 | 97-06 | 24209475 | 34873C-R |
| E143 | Gear, sun (straight cut) 4L80E | 1 | 97-06 | AE | 34873D-R |
| E144 | Mainshaft 4L80E | 1 | 91-96 | 8661613 | 34871-R |
| E144 | Mainshaft 4L80E | 1 | 97-06 | 24203400 | 34871A-R |
| E145 | Gear, rear ring 4L80E | 1 | 91-96 | 8683770 | 34874-R |
| E145 | Gear, rear ring (straight cut) 4L80E | 1 | 91-96 | 8683771 | 34874B-R |
| E145 | Gear, rear ring 4L80E | 1 | 97-06 | 24203398 | 34874C-R |
| E145 | Gear, rear ring (straight cut) 4L80E | 1 | 97-06 | n/a | 34874D-R |
| C147 | Housing, direct clutch 4L80E | 1 | 91-06 | 8680924 | 34726 |
| C147 | Housing, direct clutch 4L80E | 1 | 91-06 | 8680924 | 34726-R |
| E153 | Silencer, ring (plastic) 4L80E | 1 | 91-09 | 8626112 | 34999 |
| B154 | Carrier, overdrive 4L80E (w/o turbine shaft) | 1 | 91-01 | 8661601 | 34747 |
| B154 | Carrier, overdrive 4L80E (w/o turbine shaft) | 1 | 91-01 | 8661601 | 34747-R |
| B154 | Carrier, overdrive 4L80E (w/o turbine shaft) | 1 | 02-06 | | 34747A |
| B154 | Carrier, overdrive 4L80E (w/o turbine shaft) | 1 | 02-06 | AE | 34747A-R |
| B154 | Carrier, overdrive 4L80E (w/turbine shaft) | 1 | 91-01 | 24200130 | K34747 |
| D155 | Support, center 4L80E | 1 | 91-96 | 8661865 | 34846B-R |
| D155 | Support, center 4L80E | 1 | 97-98 | 24208849 | 34846C |
| D155 | Support, center 4L80E | 1 | 97-98 | 24208849 | 34846C-R |
| D155 | Support, center (w/.041" recess) 4L80E | 1 | 99-06 | 24217454 | 34846D |
| D155 | Support, center (w/.041" recess) 4L80E | 1 | 99-06 | 24217454 | 34846D-R |
| n/i | Clip, cooler line retaining 4L80E | 2 | 96-06 | 24205103 | 61704 |
| n/i | Bracket, force motor update 4L80E | 1 | 91-06 | 8684217 | 8684217 |
| n/i | Housing, adapter (4WD) 4L80E | 1 | 95-06 | 15724745 | 34990 |
| n/i | Accumulator housing 4L80E | 1 | 91-96 | 8684220 | 34940 |
| | | | | | |
| | | | | | |
| | | | | | |
| | | | | | |

4L80E•4L85E

4L80E•4L85E

| ILL | DESCRIPTION | | QTY | YEAR | REFERENCE # | PART # |
|------------------------------|--|-------------------------------|-----|-------|-------------|------------|
| ELECTRICAL COMPONENTS | | | | | | |
| G171 | Harness, internal complete (late design) | 4L80E (* 2) | 1 | 94-03 | 24222798 | 16A-110 |
| G171 | Harness, internal complete | 4L80E | 1 | 04-09 | 24224906 | 16A-117 |
| note | * 2 will retro fit early harnesses w/16A-109 and 15A-211 (1991-93) | | | | | |
| n/i | Harness, repair external | 4L80E (late design) | 1 | 94-09 | 34986 | 16A-109 |
| n/i | Kit, harness repair | 4L80E (internal and external) | 1 | 91-03 | 24200161 | 16A-120 |
| n/i | Harness, wiring repair (ECM) | 4L80E | 1 | 91-09 | 350-0063 | 16A-140 |
| n/i | Harness, wiring repair (PRNDL) | 4L80E | 1 | 91-09 | 350-0077 | 16A-156 |
| n/i | Harness, wiring repair (VSS) | 4L80E (external) | 1 | 91-09 | 12101899 | 16A-159 |
| n/i | Harness, wiring repair (MLPS)(7 wires) | 4L80E | 1 | 95-08 | 15305887 | 16A-157 |
| n/i | Harness, wiring repair (MLPS)(4 wires) | 4L80E | 1 | 95-06 | 15305925 | 16A-158 |
| n/i | Kit, solenoid | 4L80E | 1 | 91-03 | MS-4L80E | 25A-010 |
| n/i | Solenoid | 4L80E (1-2, 2-3 shift) | 2 | 91-09 | 52-0211 | 5A-391 |
| n/i | Solenoid (PWM) | 4L80E (lock-up/TCC) | 1 | 91-09 | 24210864 | 5A-392 |
| n/i | Solenoid | 4L80E (1-2 shift) | 1 | 91-09 | 824201004 | 5A-397 |
| n/i | Solenoid | 4L80E (2-3 shift) | 1 | 91-09 | 24201005 | 5A-398 |
| n/i | Solenoid | 4L80E (force motor EPC) | 1 | 91-03 | 24220158 | 5A-400 |
| n/i | Solenoid (white connector) | 4L80E (force motor Holley) | 1 | 04-09 | 24225320 | 5A-400B |
| n/i | Kit, repair EPC solenoid (w/reamer) | 4L80E | 1 | 91-03 | 4L6-SOL-KIT | 5A-400-RKR |
| n/i | Refill, repair kit-EPC solenoid | 4L80E (qty 4) | 1 | 91-03 | 4L6-SOL-4 | 5A-400-RK |
| n/i | Switch, manifold pressure | 4L80E | 1 | 91-09 | 24222077 | 15A-211 |
| n/i | Sensor, temperature | 4L80E | 1 | 91-03 | 8661818 | 15A-212 |
| n/i | Sensor, temperature | 4L80E | 1 | 94-09 | 12129691 | 16A-201 |
| n/i | Sensor | 4L80E (input/output speed) | 2 | 91-09 | 24203876 | 05-101 |
| n/i | Switch, manual lever position | 4L80E | 1 | 95-03 | 112450016 | 5A-97 |
| SPRAGS | | | | | | |
| D131 | Sprag (cage type)(heavy duty 34 elements) | 4L80E (intermediate) | 1 | 91-06 | 8623116 | 34418X |
| E133 | Sprag (roller type) | 4L80E (low) | 1 | 91-96 | 930679 | 34402A |
| E133 | Sprag (roller type) | 4L80E (low) | 1 | 97-06 | 7471009 | 34402B |
| A138 | Sprag (roller type) | 4L80E (overdrive) | 1 | 91-01 | 7471001 | 34849 |
| A138 | Sprag (roller type) | 4L80E (overdrive) | 1 | 02-06 | 12431003 | 34849A |
| BONDED PISTONS | | | | | | |
| A125 | Piston, bonded rubber | 4L80E (overrun clutch) | 1 | 91-09 | 8661567 | 34530 |
| B126 | Piston, inner sleeve bonded rubber | 4L80E (forward clutch) | 1 | 97-09 | 24204960 | 34531 |
| C127 | Piston, bonded rubber | 4L80E (forward clutch) | 1 | 97-09 | 24204957 | 34532 |
| C128 | Piston, bonded rubber | 4L80E (direct clutch) | 1 | 97-09 | 24204961 | 34534 |
| NOTES | | | | | | |
| | | | | | | |
| | | | | | | |
| | | | | | | |
| | | | | | | |
| | | | | | | |
| | | | | | | |
| | | | | | | |
| | | | | | | |
| | | | | | | |
| | | | | | | |
| | | | | | | |
| | | | | | | |
| | | | | | | |
| | | | | | | |
| | | | | | | |
| | | | | | | |
| | | | | | | |
| | | | | | | |
| | | | | | | |
| | | | | | | |
| | | | | | | |
| | | | | | | |
| | | | | | | |
| | | | | | | |
| | | | | | | |
| | | | | | | |
| | | | | | | |
| | | | | | | |
| | | | | | | |
| | | | | | | |
| | | | | | | |
| | | | | | | |
| | | | | | | |
| | | | | | | |
| | | | | | | |
| | | | | | | |
| | | | | | | |

| ITEM | DESCRIPTION | PART # |
|-------------------------------|--|----------|
| SEYMOUR PAINT PRODUCTS | | |
| CAST BLAST | CAST BLAST - CAST IRON GRAY - 12 oz. CAN | 16-048 |
| SPRAY PAINT | STAINLESS STEEL SPRAY - 13 oz. CAN | 16-054 |
| ALUMINUM BLAST | ALUMINUM BLAST -12 oz. CAN | 16-055 |
| ENAMEL PAINT | GLOSS BLACK ENAMEL - 12 oz. CAN | 16-115 |
| ENAMEL PAINT | DULL ALUMINUM METALLIC ENAMEL - 12 oz. CAN | 16-132 |
| ENAMEL PAINT | FLAT BLACK ENAMEL - 12 oz. CAN | 16-133 |
| PRIMER | WHITE PRIMER - 12 oz. CAN | 16-805 |
| LACQUER | GLOSS BLACK LACQUER - 12 oz. CAN | 16-815 |
| PRIMER | BLACK PRIMER | 16-828 |
| PRIMER | LIGHT GRAY PRIMER | 16-831 |
| LACQUER | SEMI-GLOSS BLACK LACQUER - 12 oz. CAN | 16-838 |
| HOT SPOT PAINT | ALUMINUM HOT SPOT - 12 oz. CAN | 16-1201 |
| HOT SPOT PAINT | WHITE HOT SPOT - 12 oz. CAN | 16-1202 |
| HOT SPOT PAINT | BLACK HOT SPOT - 12 oz. CAN | 16-1203 |
| CAST BLAST | CAST BLAST - 1200 DEGREES F | 16-2668 |
| CLEANER | INDUSTRIAL GLASS CLEANER - 16 oz. CAN | 20-20 |
| UNDERCOAT | QUIET SEAL AUTOBODY UNDERCOAT - 18oz. | 20-006 |
| UNDERCOAT | QUIET SEAL RUBBERIZED UNDERCOAT - 24 oz. CAN | 20-046 |
| PAINT REMOVER | GRAFFITI/PAINT REMOVER - 12.5 oz. CAN | 20-047 |
| CEILING PAINT | CEILING TILE PAINT - OLD WHITE - 16 oz. CAN | 20-052 |
| LUBRICANT | SILICONE LUBRICANT - 13 oz. CAN | 620-1500 |
| VARNISH | RED INSULATING VARNISH - 16 oz. CAN | 620-1525 |
| DEGREASER | NON-FLAMMABLE ELECT. DEGREASER | 620-1526 |
| SEALER | TINTED IGNITION SEALER - 11.5 oz. CAN | 620-1529 |
| CLEANER | CARB PCV VALVE & CHOKE CLEANER | 620-1536 |
| ADHESIVE | ALL PURPOSE ADHESIVE - 14 oz. CAN | 620-1539 |
| BRAKE CLEANER | NON-CHLORINATED BRAKE CLEANER - 13 oz. CAN | 620-1548 |
| CUTTING OIL | MACHINE TOOL CUTTING OIL 14 oz. CAN | 620-1557 |
| LAYOUT INK | TOOLMAKER'S LAYOUT BLUE INK - 15 oz. CAN | 620-1558 |
| INK REMOVER | TOOLMAKER'S LAYOUT INK REMOVER - 16 oz. CAN | 620-1559 |
| CLEANER | MULTI-PURPOSE CLEANER/DEGREASER - 15 oz. CAN | 620-1568 |
| ENGINE PAINT | CHROME ALUMINUM HI-TECH ENGINE PAINT - 12 oz. CAN | EN-41 |
| ENGINE PAINT | UNIVERSAL BLACK HI-TECH ENGINE PAINT - 12 oz. CAN | EN-42 |
| ENGINE PAINT | FORD GRAY HI-TECH ENGINE PAINT 12 oz. CAN | EN-43 |
| ENGINE PAINT | FORD/CHRYSLER RED HI-TECH ENGINE PAINT - 12 oz. CAN | EN-44 |
| ENGINE PAINT | FORD BLUE HI-TECH ENGINE PAINT - 12 oz. CAN | EN-46 |
| ENGINE PAINT | CHEVY ORANGE HI-TECH ENGINE PAINT - 12 oz. CAN | EN-48 |
| ENGINE PAINT | PONTIAC BLUE METALLIC -HI TECH ENGINE PAINT - 12 oz. CAN | EN-57 |
| ENGINE PAINT | AMC BLUE HI-TECH ENGINE PAINT - 12 oz. CAN | EN-66 |
| ENGINE PAINT | GM BLUE HI-TECH ENGINE PAINT - 12 oz. CAN | EN-67 |
| ENGINE PAINT | DULL ALUMINUM HI-TECH ENGINE PAINT 12 oz. CAN | EN-71 |
| EPOXY PAINT | APPLIANCE WHITE EPOXY PAINT - 12 oz. CAN | EP-502 |
| EPOXY PAINT | APPLIANCE ALMOND EPOXY PAINT - 12 oz. CAN | EP-522 |
| | | |
| | | |
| | | |
| | | |



4L40E/5L40E/50E 60000

| ILL | DESCRIPTION | QTY | YEAR | REFERENCE # | PART # |
|--------------------------------------|---|-----|-------|-------------|---------|
| TECHNICAL MANUALS | | | | | |
| K53 | Tech manual 4L40E/50E dis/assembly | 1 | 91-02 | 83-5L40ETM | 010-419 |
| K53 | Tech manual 5L50E dis/assembly | 1 | 99-09 | 83-5L50ETM | 010-328 |
| REBUILDER KITS | | | | | |
| K5 | Master kit w/steels | 1 | 99-09 | AE | K6000 |
| K5 | Master kit w/steels | 1 | 03-09 | AE | K6000C |
| K7 | O/H gasket set w/seals-rings | 1 | 99-09 | AE | K60900 |
| VALVE BODY KITS | | | | | |
| K15 | Shift Kit® | 1 | 99-07 | n/a | K60908 |
| K15 | Shift Correction Package | 1 | 99-07 | n/a | S60908 |
| K15 | Kit, repair pump/valve body fixes | 1 | 03-06 | 5L4-ACT-VL | K60964 |
| K15 | Kit, repair pump/valve body | 1 | 03-06 | 5L4-ACT-VL5 | K60965 |
| GASKETS AND RUBBER COMPONENTS | | | | | |
| G1 | Gasket, oil pan | 1 | 00-09 | 96041861 | 14009R |
| K4 | Kit, valve body gaskets | 1 | 00-09 | FDB-4992 | 13050 |
| G6 | Gasket, extension housing to case | 1 | 00-09 | 96025413 | 13044 |
| G7 | O'ring | 2 | 00-09 | 96041849 | 13045 |
| F9 | O'ring | 1 | 00-09 | 24208663 | 13982 |
| A8 | O'ring (teflon coated/green) | 1 | 03-09 | 8662686 | 13766 |
| F10 | O'ring | 1 | 00-09 | FDB-17911 | 13046 |
| G12 | Gasket, lower valve body | 1 | 00-09 | FDB-B36093 | 13047 |
| G13 | Gasket, upper valve body | 1 | 00-09 | FDB-B36094 | 13048 |
| F15 | Gasket, channel plate | 1 | 00-09 | FDB-B36095 | 13049 |
| n/i | Seal (rubber) | 1 | 00-09 | 8621283 | 13762 |
| n/i | Seal (teflon) | 1 | 00-09 | 8631877 | 13768 |
| METAL CLAD SEALS | | | | | |
| F20 | Seal, metal clad | 1 | 00-09 | 96020366 | 60151 |
| F21 | Seal, metal clad | 1 | 00-09 | 96020744 | 60155 |
| F21 | Seal, metal clad | 1 | 03-09 | 96025254 | 60156 |
| G22 | Seal, metal clad | 1 | 00-09 | 8644709 | 51202A |
| G23 | Seal, tube | 1 | 00-09 | n/a | 60159 |
| G24 | Seal, tube | 1 | 00-09 | n/a | 60160 |
| SEALING RINGS | | | | | |
| K12 | Kit, sealing ring | 1 | 00-09 | FDB-B3474 | K60903T |
| F25 | Ring, sealing (scarf cut) | 3 | 00-09 | FDB-21785 | 60300 |
| A26 | Ring, sealing (solid) | 1 | 00-09 | FDB-21787 | 60303 |
| A27 | Ring, sealing (scarf cut) | 3 | 00-09 | FDB-21786 | 60301 |
| F28 | Ring, sealing (solid) teflon | 1 | 00-09 | FDB-21784 | 60302 |
| CLUTCH PLATES | | | | | |
| A30 | Steel, waved | 1 | 99-09 | n/a | 60120 |
| A30 | Steel, waved | 1 | 99-09 | AE | 60120-R |
| A31 | Friction .063" 6.107" id 36T (external T) | 4/5 | 99-09 | 96020157 | 60100 |
| A32 | Friction .063" 6.800" od 36T (internal T) | 4/5 | 99-09 | 96024392 | 60101 |
| A35 | Steel, waved | 1 | 99-09 | n/a | 60121 |
| A35 | Steel, waved | 1 | 99-09 | AE | 60121-R |
| A36 | Friction .063" 7.062" od 36T (internal T) | 3 | 99-09 | 96020209 | 60102 |
| A37 | Friction .063" 6.464" id 36T (external T) | 3 | 99-09 | 96020210 | 60103 |
| A38 | Steel, waved | 1 | 99-09 | n/a | 60122 |
| A38 | Steel, waved | 1 | 99-09 | AE | 60122-R |
| A39 | Friction .063" 4.848" od 24T (internal T) | 3 | 99-09 | 96020322 | 60104 |
| A40 | Friction .063" 4.126" id 12T (external T) | 3 | 99-09 | 96020323 | 60105 |
| B41 | Steel, waved | 1 | 99-09 | n/a | 60123 |
| B41 | Steel, waved | 1 | 99-09 | AE | 60123-R |
| A42 | Friction .063" 5.111" od 24T (internal T) | 4 | 99-09 | 96020326 | 60106 |

4L40E•5L40E•5L50E

4L40E•5L40E•50E

| ILL | DESCRIPTION | QTY | YEAR | REFERENCE # | PART # |
|----------------------------------|--|-----|-------|-------------|----------|
| CLUTCH PLATES (CONTINUED) | | | | | |
| A43 | Friction .063" 4.126" id 24T (external T) forward clutch (1 sided) | 4 | 99-09 | 96020327 | 60107 |
| C45 | Friction .063" 7.062" od 36T (internal T) overdrive clutch (1 sided) | 3 | 99-09 | 96020209 | 60102 |
| C46 | Friction .063" 6.464" id 36T (external T) overdrive clutch (1 sided) | 3 | 99-09 | 96020210 | 60103 |
| C48 | Friction .063" 5.307" od 24T (internal T) intermediate clutch (1 sided) | 3 | 99-09 | 96020684 | 60108 |
| C49 | Friction .063" 4.122" id 24T (external T) intermediate clutch (1 sided) | 3 | 99-09 | 96020685 | 60109 |
| C50 | Steel, waved intermediate clutch | 1 | 99-09 | 156765 | 60124 |
| C50 | Steel, waved intermediate clutch | 1 | 99-09 | AE | 60124-R |
| D52 | Friction .063" 6.800" od 36T (internal T) low/reverse clutch (1 sided) | 5 | 99-09 | 96024392 | 60101 |
| D53 | Friction .063" 6.107" id 29T (external T) low/reverse clutch (1 sided) | 5 | 99-09 | 96020780 | 60110 |
| D54 | Steel, waved low/reverse (cushion) | 1 | 99-09 | n/a | 60125 |
| D54 | Steel, waved low/reverse (cushion) | 1 | 99-09 | AE | 60125-R |
| D55 | Friction .063" 6.800" od 36T (internal T) 2nd coast clutch (1 sided) | 3 | 03-09 | 96024392 | 60101 |
| D55 | Friction .065" 6.920" od 36T (internal T) BMW/AWD (2nd coast clutch 1 sided) | 2 | 99-09 | n/a | 60111 |
| D56 | Friction .063" 6.107" id 36T (external T) 2nd coast clutch (1 sided) | 3 | 03-09 | 96020157 | 60100 |
| D56 | Friction .063" 6.426" id 6T (external T) BMW/AWD (2nd coast clutch 1 sided) | 2 | 99-09 | n/a | 60112 |
| E57 | Steel, waved 2nd clutch (cushion) | 1 | 99-09 | n/a | 60126 |
| E57 | Steel, waved 2nd clutch (cushion) | 1 | 99-09 | AE | 60126-R |
| E57 | Steel, waved 2nd clutch (cushion) | 1 | 03-09 | n/a | 60126A |
| E57 | Steel, waved 2nd clutch (cushion) | 1 | 03-09 | AE | 60126A-R |
| E58 | Friction .063" 5.111" od 24T (internal T) 2nd clutch (1 sided) | 6 | 03-09 | 96022840 | 60113 |
| E58 | Friction .063" 5.427" od 24T (internal T) BMW/AWD (2nd clutch 1 sided) | 4 | 99-09 | n/a | 60115 |
| E59 | Friction .063" 4.475" id 24T (external T) 2nd clutch (1 sided) | 6 | 03-09 | 96022841 | 60114 |
| E59 | Friction .063" 4.480" id 24T (external T) BMW/AWD (2nd clutch 1 sided) | 4 | 99-09 | n/a | 60116 |
| PRESSURE PLATES | | | | | |
| A62 | Plate, pressure .199" 6.112" id 18T direct clutch | 1 | 99-09 | AE | 60724-R |
| A63 | Plate, pressure .119" 36T reverse clutch (apply) | 1 | 99-09 | AE | 60725-R |
| A64 | Plate, pressure .198" 6.475" id 18T reverse clutch | 1 | 99-09 | AE | 60715-R |
| A65 | Plate, pressure 6T coast clutch (apply) | sel | 99-09 | AE | 60716-R |
| A66 | Plate, pressure .078" 4.125" id 6T coast clutch (backing) | 1 | 99-09 | AE | 60717-R |
| B67 | Plate, pressure .200" 12T forward clutch (backing) | 1 | 00-09 | AE | 60718-R |
| C68 | Plate, pressure .198" 6.475" id 18T overdrive clutch | 1 | 99-09 | AE | 60715-R |
| C69 | Plate, pressure .198" 12T intermediate clutch | 1 | 99-09 | AE | 60719-R |
| D70 | Plate, pressure .198" 18T low/reverse clutch | 1 | 99-09 | AE | 60720-R |
| D71 | Plate, pressure .200" 6T 2nd coast clutch | 1 | 99-09 | AE | 60723-R |
| D71 | Plate, pressure .199" 6.112" id 18T Cadillac (2nd coast clutch) | 1 | 03-09 | AE | 60724-R |
| E72 | Plate, pressure .198" 5.460" od 12T BMW/AWD (2nd clutch) | 1 | 99-09 | AE | 60721-R |
| E72 | Plate, pressure .198" 5.150" od 12T Cadillac (2nd clutch) | 1 | 03-09 | AE | 60722-R |
| FILTERS | | | | | |
| K9 | Kit, filter (w/outlet tube spacer) (w/plastic shroud around intake) deep pan | 1 | 99-09 | AE | FK60710 |
| K9 | Kit, filter (w/o outlet tube spacer) (w/o outlet tube spacer) | 1 | 99-09 | AE | FK60710A |
| K9 | Kit, filter (w/outlet tube spacer) deep pan | 1 | 99-09 | AE | FK60710B |
| G75 | Filter (w/outlet tube spacer) (w/plastic shroud around intake) deep pan | 1 | 99-09 | 96023081 | 60710 |
| G75 | Filter (w/o outlet tube spacer) shallow pan | 1 | 99-09 | 96022597 | 60710A |
| G75 | Filter (w/outlet tube spacer) deep pan | 1 | 99-09 | 96022598 | 60710B |
| BUSHINGS | | | | | |
| K12 | Kit, bushing 4L40E/5L40E/5L50E | 1 | 99-09 | AE | K60901 |
| A78 | Bushing 4L40E/5L40E/5L50E (reverse housing) | 1 | 99-09 | n/a | 60003 |
| A79 | Bushing forward/coast clutch housing | 1 | 99-09 | n.a | 60002 |
| B80 | Bushing 4L40E/5L40E/5L50E (direct hub) | 2 | 99-09 | n/a | 60004 |
| E81 | Bushing 4L40E/5L40E/5L50E2nd (coast clutch hub) | 1 | 99-09 | n/a | 60006 |
| E82 | Bushing 4L40E/5L40E/5L50E (planetary front) | 1 | 99-09 | n/a | 60007 |
| E83 | Bushing 4L40E/5L40E/5L50E (planetary rear) | 1 | 99-09 | n/a | 60008 |
| E85 | Bushing 4L40E/5L40E/5L50E (output shaft front) | 1 | 99-09 | n/a | 60009 |

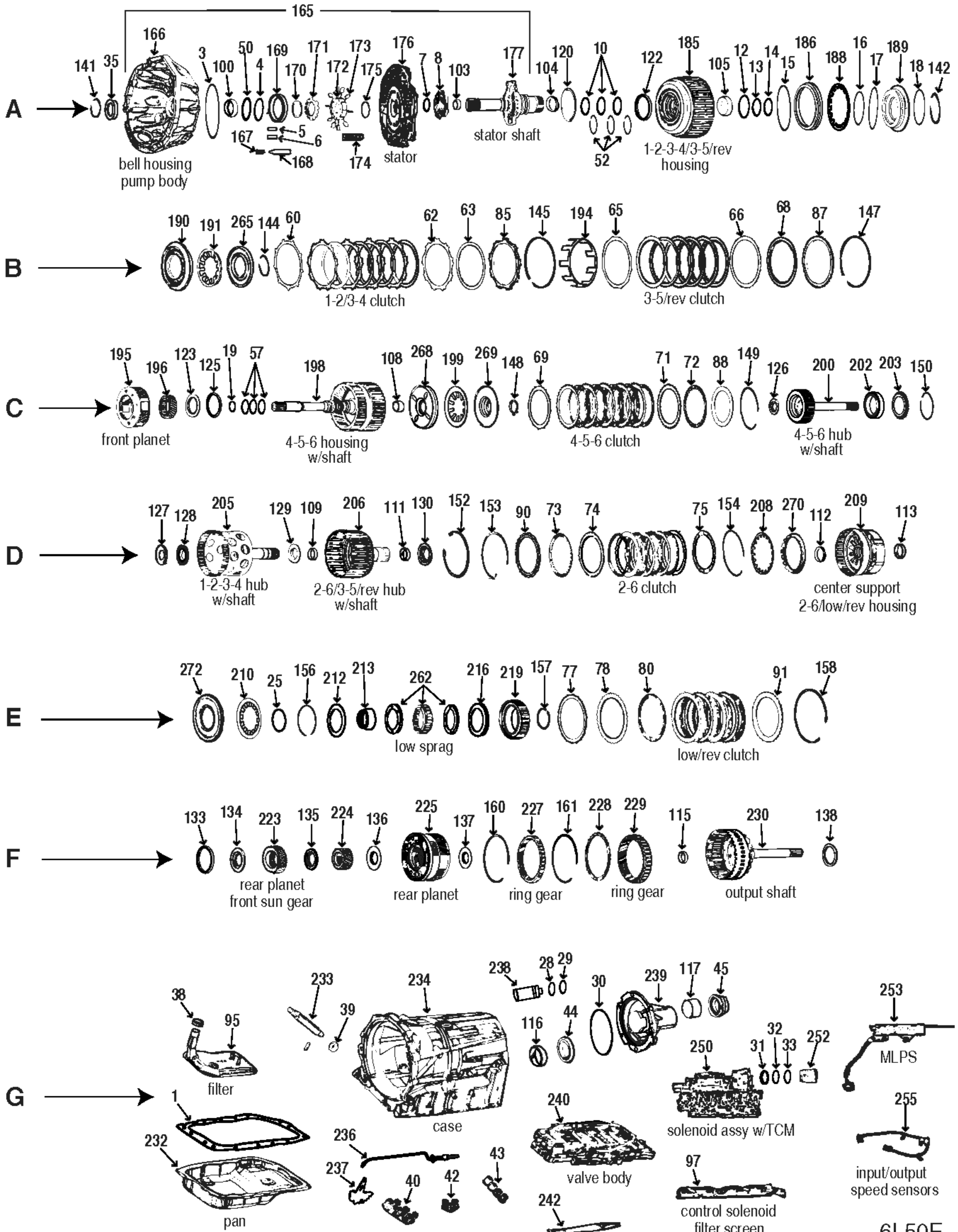
| ILL | DESCRIPTION | QTY | YEAR | REFERENCE # | PART # |
|-------------------------------------|--|-----|-------|-------------|----------|
| BUSHINGS (CONTINUED) | | | | | |
| F87 | Bushing 4L40E/5L40E/5L50E (front/bell housing) | 1 | 99-09 | n/a | 60005 |
| F88 | Bushing 4L40E/5L40E/5L50E (stator support front) | 1 | 99-09 | n/a | 60001 |
| WASHERS/BEARINGS/RACES/SHIMS | | | | | |
| K13 | Kit, thrust washer 4L40E/5L40E/5L50E | 1 | 99-09 | AE | K60907 |
| K13 | Kit, thrust bearing 4L40E/5L40E/5L50E | 1 | 99-09 | AE | K60906 |
| A90 | Thrust washer (w/1 outer 3 inner tabs) stator shaft to reverse housing | sel | 99-09 | n/a | 60401 |
| B91 | Bearing, thrust forward/coast housing to hub | 1 | 99-09 | n/a | 60416 |
| B92 | TW .049" 3 inner tabs (flat on 1 side) plastic forward sprag to inner race | 1 | 99-09 | n/a | 60404 |
| B95 | Thrust washer .062" 3 tabs plastic forward sprag to direct clutch hub | 1 | 99-09 | n/a | 60405 |
| B96 | Thrust washer .064" 3 tabs plastic direct hub to reverse/overdrive hub | 1 | 99-09 | n/a | 60403 |
| B97 | TW .040" 3 inner tabs (flat on both sides) plastic intermediate sprag | 2 | 99-09 | n/a | 60402 |
| B100 | Bearing, thrust intermediate sprag to low sprag | 1 | 99-09 | n/a | 60407 |
| B101 | Washer, spacer intermediate sprag to low/reverse race | 1 | 99-09 | n/a | 60513 |
| C104 | Bearing, thrust low/reverse clutch hub to center support | 1 | 99-09 | n/a | 60414 |
| D107 | Bearing, caged type center support | 1 | 99-09 | n/a | 60503 |
| E109 | Bearing, thrust center support to 2nd clutch sprag | 1 | 99-09 | n/a | 60409 |
| E110 | Bearing, thrust 2nd clutch sprag to bearing | 1 | 99-09 | n/a | 60415 |
| E112 | Thrust washer (3 tabs plastic) 2nd coast clutch hub to planetary | 1 | 99-09 | n/a | 60406 |
| E113 | Bearing, thrust planetary to output shaft | 1 | 99-09 | n/a | 60413 |
| E114 | Bearing, caged type mainshaft pilot inside planetary | 1 | 99-09 | n/a | 60510 |
| E115 | Bearing, race output shaft to extension housing | 1 | 99-09 | n/a | 60417 |
| E115 | Bearing, thrust output shaft to extension housing | 1 | 99-09 | n/a | 60418 |
| F117 | Bearing, caged type stator shaft (rear) | 1 | 99-09 | n/a | 60501 |
| E116 | Thrust washer (3 tabs plastic) output shaft to extension housing (AWD) | 1 | 99-09 | n/a | 60408 |
| F118 | Bearing, caged type 5L40E (extension housing front) | 1 | 99-09 | n/a | 60511 |
| F119 | Bearing, caged type 5L50E (extension housing front) | 1 | 99-09 | n/a | 60512 |
| F120 | Washer, spacer output shaft to rear yoke | 1 | 99-09 | n/a | 60412 |
| SNAP RINGS | | | | | |
| A125 | Snap ring direct clutch retainer | 1 | 99-09 | n/a | 60601-R |
| A126 | Snap ring direct clutch pressure plate | 1 | 99-09 | n/a | 60602-R |
| A127 | Snap ring reverse clutch pressure plate | 1 | 99-09 | n/a | 60604-R |
| A128 | Snap ring 2nd coast clutch retainer | 1 | 99-09 | n/a | 60605-R |
| B130 | Snap ring forward clutch pressure plate | 1 | 99-09 | n/a | 60606-R |
| B131 | Snap ring forward sprag race to input shaft | 1 | 99-09 | n/a | 60607-R |
| C133 | Snap ring overdrive clutch pressure plate | 1 | 99-09 | n/a | 60609-R |
| C134 | Snap ring overdrive clutch return spring | 1 | 99-09 | n/a | 60608-R |
| C135 | Snap ring intermediate clutch pressure plate | 1 | 99-09 | n/a | 60616-R |
| C136 | Snap ring (beveled true-ark type) overdrive/intermediate housing to case | 1 | 99-09 | n/a | 60610-R |
| C137 | Snap ring intermediate to overdrive/inter housing | 1 | 99-09 | n/a | 60617-R |
| D138 | Snap ring low/reverse clutch pressure plate | 1 | 99-09 | n/a | 60602-R |
| D139 | Snap ring low/reverse clutch return spring | 1 | 99-09 | n/a | 60603-R |
| D140 | Snap ring BMW (2nd clutch return spring) | 1 | 99-09 | n/a | 60618-R |
| D140 | Snap ring Cadillac (2nd clutch return spring) | 1 | 03-09 | n/a | 60619-R |
| D141 | Snap ring 7.312" od BMW (2nd clutch pressure plate) | sel | 99-09 | n/a | 60611-R |
| D141 | Snap ring 7.250" od Cadillac (2nd clutch pressure plat) | sel | 03-09 | n/a | 60612-R |
| D142 | Snap ring 2nd clutch retainer | 1 | 99-09 | n/a | 60615-R |
| E143 | Snap ring 5.415" od Cadillac (2nd clutch pressure plate) | sel | 03-09 | n/a | 60612A-R |
| E143 | Snap ring 5.765" od BMW/AWD (2nd clutch pressure plate) | sel | 99-09 | n/a | 60611A-R |
| E144 | Snap ring bearing to planetary | 1 | 99-09 | n/a | 60620-R |
| E145 | Snap ring ring gear to output shaft | 1 | 99-09 | n/a | 60622-R |
| F148 | Snap ring rear yoke spacer | 1 | 99-09 | n/a | 60623-R |
| | | | | | |
| | | | | | |

4L40E•5L40E•5L50E

4L40E•5L40E•50E

| ILL | DESCRIPTION | QTY | YEAR | REFERENCE # | PART # |
|-----------------------------|--|-----|-------|-------------|----------|
| PUMP PARTS AND PUMPS | | | | | |
| F150 | Pump, assembly BMW (front/bell housing w/stator) | 1 | 99-09 | AE | 60200-R |
| F150 | Pump, assembly Cadillac with V/6 (front/bell housing w/stator) | 1 | 03-09 | 96042812 | 60201-R |
| F150 | Pump, assembly Cadillac with V/8 (front/bell housing w/stator) | 1 | 04-06 | 96042835 | 60201A-R |
| F150 | Pump, assembly Cadillac XRL (front/bell housing w/stator) | 1 | 04-06 | 96042829 | 60201B-R |
| F151 | Stator, pump w/shaft BMW (casting # 095304) | 1 | 99-09 | AE | 60202-R |
| F151 | Stator, pump w/shaft Cadillac (casting # 1268-190100) | 1 | 03-09 | AE | 60203-R |
| F152 | Shaft, pump stator BMW (5L40E/5L50E) | 1 | 99-09 | n/a | 60969 |
| F152 | Shaft, pump stator BMW (5L40E/5L50E) | 1 | 99-09 | AE | 60969-R |
| F152 | Shaft, pump stator Cadillac (5L40E/5L50E) | 1 | 03-09 | n/a | 60970 |
| F152 | Shaft, pump stator Cadillac (5L40E/5L50E) | 1 | 03-09 | AE | 60970-R |
| F153 | Kit, rotor slide, guide (13 vanes) | 1 | 99-09 | AE | K32800B |
| F154 | Rotor, pump (13 vane) | 1 | 99-09 | n/a | 32802B |
| F155 | Slide, pump .709"-.710" | 1 | 99-09 | n/a | 32803 |
| F156 | Vane, pump | 13 | 99-09 | n/a | 32800 |
| F157 | Ring, pump vane (solid) | 1 | 99-09 | n/a | 32322SP |
| F158 | Guide, rotor (13 vane type) | 1 | 99-09 | n/a | 32422B |
| HARD PARTS | | | | | |
| A165 | Housing, reverse 5L40E (4 clutch) | 1 | 99-09 | n/a | 60909-R |
| A165 | Housing, reverse 5L40E (5 clutch) | 1 | 99-09 | n/a | 60909A-R |
| A167 | Spring, diaphragm type direct clutch return | 1 | 99-09 | n/a | 60912-R |
| A168 | Retainer, direct clutch 5L40E | 1 | 99-09 | n/a | 60913-R |
| A170 | Housing, forward/coast clutch BMW (11 1/2") | 1 | 99-09 | n/a | 60920-R |
| A170 | Housing, forward/coast clutch Cadillac (11 3/4") | 1 | 03-09 | n/a | 60920A-R |
| A172 | Retainer, w/springs coast clutch return | 1 | 99-09 | n/a | 60922-R |
| A174 | Housing, coast clutch BMW | 1 | 99-09 | n/a | 60925-R |
| A174 | Housing, coast clutch Cadillac | 1 | 03-09 | n/a | 60925A-R |
| B175 | Hub, inner race 5L40E | 1 | 99-09 | n/a | 60927-R |
| B176 | Hub, outer race 5L40E | 1 | 99-09 | n/a | 60929-R |
| B177 | Shaft, input sun gear BMW (11 1/2") | 1 | 99-09 | n/a | 60930-R |
| B177 | Shaft, input sun gear Cadillac (11 3/4") | 1 | 03-09 | n/a | 60930A-R |
| B178 | Hub, direct clutch w/shaft BMW (11 3/8") | 1 | 99-09 | n/a | 60932-R |
| B178 | Hub, direct clutch w/shaft Cadillac (11 1/2") | 1 | 03-09 | n/a | 60932A-R |
| B179 | Hub, w/shaft reverse/overdrive clutch BMW 5L40E (30 spl) | 1 | 99-09 | n/a | 60933-R |
| B179 | Hub, w/shaft reverse/overdrive clutch Cadillac 5L40E (31 spl) | 1 | 03-09 | n/a | 60933A-R |
| B180 | Hub, outer race overdrive clutch 5L40E | 1 | 99-09 | n/a | 60936-R |
| C183 | Ring, apply overdrive clutch 5L40E | 1 | 99-09 | n/a | 60940-R |
| C185 | Spring, return diaphragm type overdrive clutch | 1 | 99-09 | n/a | 60941-R |
| C187 | Housing, overdrive/intermediate BMW | 1 | 99-09 | n/a | 60943-R |
| C187 | Housing, overdrive/intermediate Cadillac | 1 | 03-09 | n/a | 60943A-R |
| C188 | Retainer, w/spring intermediate 5L40E | 1 | 99-09 | n/a | 60944-R |
| C189 | Housing, intermediate clutch piston 5L40E | 1 | 99-09 | n/a | 60945-R |
| D196 | Spring, return diaphragm type low/reverse clutch | 1 | 99-09 | n/a | 60950-R |
| D198 | Support, center (6T) BMW | 1 | 99-09 | n/a | 60951-R |
| D198 | Support, center (24T) BMW | 1 | 99-09 | n/a | 60951A-R |
| D198 | Support, center (29T) Cadillac | 1 | 03-09 | n/a | 60951B-R |
| D201 | Spring, return diaphragm type BMW (2nd coast clutch) | 1 | 99-09 | n/a | 60955-R |
| D201 | Spring, return diaphragm type Cadillac (2nd coast clutch) | 1 | 03-09 | n/a | 60955A-R |
| D202 | Ring, apply 2nd coast clutch BMW (7" od) | 1 | 99-09 | n/a | 60956-R |
| D202 | Ring, apply 2nd coast clutch Cadillac (6 7/8") | 1 | 03-09 | n/a | 60956A-R |
| D203 | Retainer, w/springs 2nd clutch BMW w/retainer | 1 | 99-09 | n/a | 60958-R |
| D203 | Retainer, w/springs 2nd clutch Cadillac | 1 | 03-09 | n/a | 60958A-R |
| D204 | Retainer, 2nd coast clutch Cadillac | 1 | 03-09 | n/a | 60959-R |
| E209 | Hub, outer race 2nd clutch 5L40E | 1 | 99-09 | n/a | 60962-R |

| ILL | DESCRIPTION | QTY | YEAR | REFERENCE # | PART # |
|-------------------------------|---|-----|-------|-------------|-------------|
| HARD PARTS (CONTINUED) | | | | | |
| E212 | Planetary, assembly 23T/35T narrow gears | 1 | 99-09 | n/a | 60968-R |
| E212 | Planetary, assembly | 1 | 03-09 | n/a | 60968A-R |
| E212 | Planetary, assembly 23T short 1 id groove | 1 | 00-09 | n/a | 60968B-R |
| E215 | Gear, ring | 1 | 99-09 | n/a | 60974-R |
| E215 | Gear, ring | 1 | 03-09 | n/a | 60974A-R |
| E215 | Gear, ring | 1 | 04-06 | n/a | 60974B-R |
| E216 | Shaft, output | 1 | 99-09 | n/a | 60975-R |
| E216 | Shaft, output | 1 | 03-09 | n/a | 60975A-R |
| E216 | Shaft, output | 1 | 04-06 | n/a | 60975B-R |
| G230 | Rod, park | 1 | 03-09 | n/a | 60980-R |
| G231 | Pawl, park | 1 | 03-09 | n/a | 60982-R |
| G232 | Spring, park pawl | 1 | 03-09 | n/a | 60983-R |
| G233 | Shaft, shift | 1 | 03-09 | n/a | 60985-R |
| G234 | Roller, detent spring | 1 | 03-09 | n/a | 60986-R |
| ELECTRICAL COMPONENTS | | | | | |
| G250 | Solenoid | 3 | 00-09 | 96041866 | 5A-380 |
| G251 | Solenoid (PWM) | 1 | 00-09 | 24212690 | 5A-393 |
| G252 | Solenoid | 1 | 03-09 | 24225825 | 5A-419A |
| G253 | Snap ring | 3 | 03-09 | 96041860 | 95237-62603 |
| G254 | Harness, wiring | 1 | 99-09 | n/a | 16A-145 |
| G254 | Harness, wiring | 1 | 03-09 | 96042847 | 16A-146 |
| G255 | Switch, neutral start (PRNDL) | 1 | 03-09 | 96042540 | 05-127 |
| SPRAGS | | | | | |
| B260 | Sprag, (26 elements) | 1 | 99-09 | n/a | 60560 |
| B261 | Sprag | 1 | 99-09 | n/a | 60561 |
| C262 | Sprag, assembly | 1 | 99-09 | n/a | 60562 |
| E262 | Sprag, assembly | 1 | 99-09 | AE | 60562-R |
| E263 | Sprag, assembly | 1 | 99-09 | n/a | 60563 |
| E263 | Sprag, assembly | 1 | 99-09 | AE | 60563-R |
| E263 | Sprag, assembly | 1 | 03-09 | AE | 60563A-R |
| E263 | Sprag, assembly | 1 | 00-09 | AE | 60563B-R |
| BONDED PISTONS | | | | | |
| K43 | Kit, bonded apply pistons | 1 | 99-01 | FDB-B4895 | K60585 |
| K43 | Kit, bonded apply pistons | 1 | 02-09 | FBD-B4894 | K60586 |
| A269 | Piston, bonded rubber | 1 | 00-09 | 96020351 | 60525 |
| A269 | Piston, bonded rubber | 1 | 03-09 | n/a | 60525A |
| A270 | Piston, bonded rubber | 1 | 00-09 | 96021174 | 60522 |
| A271 | Piston, bonded rubber | 1 | 00-09 | 96023901 | 60520 |
| A272 | Piston, bonded rubber | 1 | 00-09 | 96020306 | 60521 |
| C273 | Piston, bonded rubber | 1 | 99-09 | 96025338 | 60523 |
| C274 | Piston, bonded rubber | 1 | 00-09 | 96020682 | 60526 |
| D275 | Piston, bonded rubber | 1 | 99-99 | 96020153 | 60527 |
| D275 | Piston, bonded rubber | 1 | 00-09 | 96022480 | 60527A |
| D276 | Piston, bonded rubber | 1 | 99-01 | 96020191 | 60524 |
| D276 | Piston, bonded rubber | 1 | 02-09 | 96025338 | 60523 |
| D277 | Piston, bonded rubber | 1 | 99-99 | 96020194 | 60528 |
| D277 | Piston, bonded rubber | 1 | 00-02 | 96022481 | 60528A |
| D277 | Piston, bonded rubber | 1 | 02-09 | 96024086 | 60528B |
| NOTES | | | | | |
| | | | | | |
| | | | | | |
| | | | | | |
| | | | | | |



6L50E
10155-

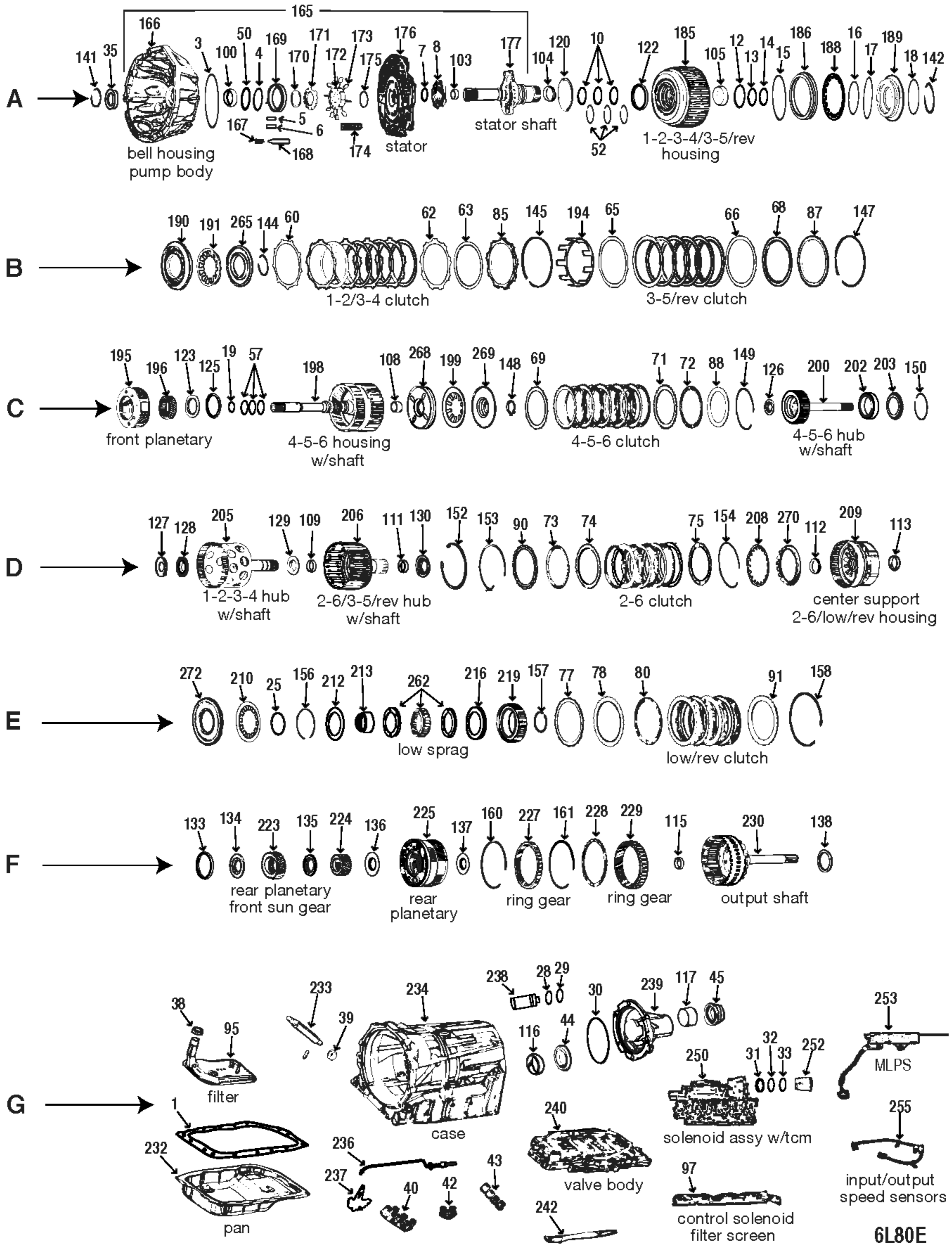
| ILL | DESCRIPTION | QTY | YEAR | REFERENCE # | PART # |
|--------------------------------------|--|-----|-------|-------------|-------------|
| REBUILDER KITS | | | | | |
| K5 | Master kit w/steels w/pistons | 1 | 06-11 | AE | 10155-11004 |
| K5 | Master kit w/steels w/o pistons | 1 | 06-11 | AE | 10155-11104 |
| K6 | Master kit w/o steels w/pistons | 1 | 06-11 | AE | 10155-12004 |
| K6 | Master kit w/o steels w/o pistons | 1 | 06-11 | AE | 10155-12104 |
| K7 | O/H gasket set w/seals-rings w/pistons | 1 | 06-11 | APC-201901 | 10155-13004 |
| K7 | O/H gasket set w/seals-rings w/o pistons | 1 | 06-11 | FDB-2523 | 10155-13104 |
| GASKETS AND RUBBER COMPONENTS | | | | | |
| G1 | Gasket, pan (molded rubber) 6L45E/6L50E | 1 | 06-11 | FDB-B33355 | 10155-20104 |
| METAL CLAD SEALS | | | | | |
| A35 | Seal, metal clad 46.6x73/76x7.2/9.7 front pump | 1 | 06-11 | 24224136 | 10150-30104 |
| G45 | Seal, metal clad extension housing (2WD) | 1 | 06-11 | FDB-B37101 | 10155-30404 |
| SEALING RINGS | | | | | |
| K10 | Kit, sealing ring 6L45E/6L50E | 1 | 06-11 | n/a | 10155-31504 |
| CLUTCH PLATES | | | | | |
| B60 | Steel, waved plate 1-2/3-4 clutch | 1 | 06-11 | n/a | 10155-40304 |
| B62 | Steel .069" 6.150" id 9T 1-2/3-4 clutch | 5 | 06-11 | 24232652 | 10155-37604 |
| B63 | Friction .063" 6.690" od 36T 1-2/3-4 clutch | 5 | 06-11 | 24233534 | 10155-35204 |
| B65 | Steel, waved plate 3-5/reverse clutch | 1 | 06-11 | n/a | 10155-40504 |
| B66 | Steel .098" 6.370" id 36T 3-5/reverse clutch | 4 | 06-11 | 24237663 | 10155-37804 |
| B68 | Friction .073" 7.180" od 36T 3-5/reverse clutch | 4 | 06-11 | 24225569 | 10155-35304 |
| C69 | Steel, waved plate 4-5-6 clutch | 1 | 06-11 | n/a | 10155-40604 |
| C71 | Friction .078" 4.130" id 36T (external) 4-5-6 clutch | 6 | 06-11 | 24225575 | 10155-35704 |
| C72 | Friction .079" 4.940" od 36T (internal) 4-5-6 clutch | 6 | 06-11 | 24225570 | 10155-35804 |
| D73 | Friction .099" 7.240" od 36T (internal) 2-6 clutch | 5 | 06-11 | 24235454 | 10155-35904 |
| D74 | Friction .083" 6.350" id 24T (external) 2-6 clutch | 5 | 06-11 | 24235455 | 10155-36004 |
| D75 | Steel, waved plate 2-6 clutch | 1 | 06-11 | n/a | 10155-40704 |
| E77 | Steel, waved plate low/reverse clutch | 1 | 06-11 | n/a | 10155-40804 |
| E78 | Steel .069" 6.210" id 24T low/reverse clutch | 5 | 06-11 | 24232654 | 10155-38404 |
| E80 | Friction .063" 6.960" od 54T low/reverse clutch | 5 | 06-11 | 24232654 | 10155-36104 |
| PRESSURE PLATES | | | | | |
| B85 | Pressure plate 1-2/3-4 clutch | 1 | 06-11 | AE | 10155-41103 |
| B87 | Pressure plate 3-5/reverse clutch | 1 | 06-11 | AE | 10155-41303 |
| C88 | Pressure plate 4-5-6 clutch | 1 | 06-11 | AE | 10155-41603 |
| D90 | Pressure plate 2-6 clutch | 1 | 06-11 | AE | 10155-42003 |
| E91 | Pressure plate low/reverse clutch | 1 | 06-11 | AE | 10155-42503 |
| FILTERS | | | | | |
| K9 | Kit, filter Cadillac (6L45E/6L50E) | 1 | 06-11 | AE | 10155-44504 |
| K9 | Kit, filter BMW X-5 (6L45E/6L50E) | 1 | 06-09 | AE | 45155-44504 |
| G95 | Filter BMW X-5 (6L45E/6L50E) | 1 | 07-09 | 24236595 | 45155-45104 |
| G95 | Filter 6L45E/6L50E | 1 | 07-11 | 24236519 | 10155-45504 |
| BUSHINGS | | | | | |
| K12 | Kit, bushing 6L45E/6L50E | 1 | 06-11 | n/a | 10155-50104 |
| A100 | Bushing pump body | 1 | 06-11 | n/a | 10155-50604 |
| A103 | Bushing pump stator (front) | 1 | 06-11 | n/a | 10155-50804 |
| A104 | Bushing pump stator (rear) | 1 | 06-11 | n/a | 10155-50904 |
| A105 | Bushing 1-2-3-4 housing | 1 | 06-11 | n/a | 10155-51004 |
| C108 | Bushing 4-5-6 housing | 1 | 06-11 | n/a | 10155-51504 |
| D109 | Bushing 2-6/3-5 reverse hub (front) | 1 | 06-11 | n/a | 10155-51804 |
| D111 | Bushing 2-6/3-5 reverse hub (rear) | 1 | 06-11 | n/a | 10155-51804 |
| D112 | Bushing center support (front) | 1 | 06-11 | n/a | 10155-52004 |
| D113 | Bushing center support (rear) | 1 | 06-11 | n/a | 10155-52004 |
| F115 | Bushing output shaft (front) | 1 | 06-11 | n/a | 10155-52304 |
| G116 | Bushing case | 1 | 06-11 | n/a | 10155-52504 |

6L45E•6L50E

6L45E•6L50E

| ILL | DESCRIPTION | QTY | YEAR | REFERENCE # | PART # |
|-------------------------------------|--|-----|-------|-------------|-------------|
| BUSHINGS (CONTINUED) | | | | | |
| G117 | Bushing extension housing | 1 | 06-11 | n/a | 10155-52804 |
| WASHERS/BEARINGS/RACES/SHIMS | | | | | |
| A120 | Washer, thrust stator to housing | 1 | 06-11 | n/a | 10155-56304 |
| A122 | Bearing, caged 1-2-3-4/3-5/reverse housing | 1 | 06-11 | n/a | 10155-56504 |
| C123 | Bearing, thrust front sun gear to housing | 1 | 06-11 | n/a | 10155-56804 |
| C125 | Washer, thrust front planetary to housing | 1 | 06-11 | n/a | 10155-57004 |
| C126 | Bearing, thrust 4-5-6 clutch hub | 1 | 06-11 | n/a | 10155-57304 |
| D127 | Race, thrust 1-2-3-4 hub | 1 | 06-11 | n/a | 10155-57504 |
| D128 | Bearing, thrust 1-2-3-4 hub | 1 | 06-11 | n/a | 10155-57604 |
| D129 | Bearing, thrust 1-2-3-4 hub to 5/reverse hub | 1 | 06-11 | n/a | 10155-57804 |
| D130 | Bearing, thrust 2-6/3-5/reverse hub | 1 | 06-11 | n/a | 10155-58004 |
| F133 | Bearing, caged rear planetary | 1 | 06-11 | n/a | 10155-58404 |
| F134 | Bearing, thrust front rear sun gear (front) | 1 | 06-11 | n/a | 10155-58504 |
| F135 | Bearing, thrust front rear sun gear to rear sun gear | 1 | 06-11 | n/a | 10155-58704 |
| F136 | Bearing, thrust rear sun gear tp planetary | 1 | 06-10 | n/a | 10155-58804 |
| F137 | Bearing, thrust planetary to output shaft | 1 | 06-11 | n/a | 10155-58904 |
| F138 | Bearing, thrust output shaft to case | 1 | 06-11 | n/a | 10155-59004 |
| SNAP RINGS | | | | | |
| A142 | Snap ring 1-2-3-4 clutch retainer | 1 | 06-11 | AE | 10155-62303 |
| B144 | Snap ring 1-2-3-4 clutch retainer | 1 | 06-11 | AE | 10155-62403 |
| B145 | Snap ring 1-2-3-4 clutch pressure plate | 1 | 06-11 | AE | 10155-62503 |
| B147 | Snap ring 3-5/reverse clutch pressure plate | 1 | 06-11 | AE | 10155-62803 |
| C148 | Snap ring 4-5-6 clutch retainer | 1 | 06-11 | AE | 10155-63103 |
| C149 | Snap ring 4-5-6 clutch pressure plate | 1 | 06-11 | AE | 10155-63203 |
| C150 | Snap ring damper retainer | 1 | 06-11 | AE | 10155-63503 |
| D152 | Snap ring center support to case | 1 | 06-11 | AE | 10155-63803 |
| D153 | Snap ring 2-6 clutch pressure plate | 1 | 06-11 | AE | 10155-64003 |
| D154 | Snap ring 2-6 clutch retainer | 1 | 06-11 | AE | 10155-64303 |
| E156 | Snap ring low/reverse clutch retainer | 1 | 06-10 | AE | 10155-64503 |
| E157 | Snap ring inner sprag race | 1 | 06-11 | AE | 10155-64603 |
| E158 | Snap ring low/reverse clutch pressure plate | 1 | 06-11 | AE | 10155-64903 |
| F160 | Snap ring ring gear in output shaft | 1 | 06-11 | AE | 10155-65203 |
| F161 | Snap ring seat for ring gear | 1 | 06-11 | AE | 10155-65503 |
| PUMP PARTS AND PUMPS | | | | | |
| A165 | Pump assembly 6L45E/6L50E | 1 | 06-11 | AE | 10155-67003 |
| A165 | Pump assembly 6L45E/6L50E | 1 | 07-09 | AE | 45155-67003 |
| A167 | Spring, pivot pin .038" .271" od .343" ol | 1 | 06-11 | AE | 10150-68103 |
| A168 | Pin, pivot .308" od 1.265" ol | 1 | 06-11 | AE | 10150-68203 |
| A169 | Slide, pump 17.948-17.960mm .706" | 1 | 06-11 | 24222668 | 10150-68304 |
| A169 | Slide, pump 17.961-17.974mm .707" | 1 | 06-11 | 24224131 | 10150-68404 |
| A169 | Slide, pump 17.975-17.987mm .708" | 1 | 06-11 | 24224132 | 10150-68504 |
| A170 | Ring, pump vane .104" 2.627" od (solid) | 1 | 06-11 | n/a | 10150-68604 |
| A171 | Guide, rotor (13 vane type) (4 tabs) | 1 | 06-11 | n/a | 10150-68704 |
| A172 | Rotor, pump 17.948-17.960mm .706" | 1 | 06-11 | n/a | 10150-68804 |
| A172 | Rotor, pump 17.961-17.974mm .707" | 1 | 06-11 | n/a | 10150-68904 |
| A172 | Rotor, pump 17.975-17.987mm .708" | 1 | 06-11 | n/a | 10150-69004 |
| A173 | Vane, pump .079" .534" w .706" oh | 13 | 06-11 | n/a | 10150-69204 |
| A174 | Spring, pump slide .106" 1.911" oh | 1 | 06-11 | AE | 10150-69303 |
| A175 | Ring, pump vane .104" 2.627" od (solid) | 1 | 06-11 | n/a | 10150-68604 |
| A176 | Stator (pump cover) | 1 | 06-11 | AE | 10155-69503 |
| A177 | Shaft, stator | 1 | 06-11 | AE | 10155-69703 |
| | | | | | |
| | | | | | |

| ILL | DESCRIPTION | QTY | YEAR | REFERENCE # | PART # | |
|------------------------------|-----------------------------------|--------------------------------|------|-------------|--------|-------------|
| HARD PARTS | | | | | | |
| A185 | Housing, 1-2-3-4 clutch | 3-5/reverse | 1 | 06-11 | AE | 10155-72303 |
| A186 | Piston, 1-2-3-4 clutch | 3-5/reverse | 1 | 06-11 | AE | 10155-72503 |
| A188 | Spring, diaphragm | 1-2-3-4/3-5/reverse clutch | 1 | 06-11 | AE | 10155-72603 |
| A189 | Piston, (balance) | 1-2-3-4/3-5/reverse clutch | 1 | 06-11 | AE | 10155-72703 |
| B190 | Piston, 1-2-3-4 clutch | 6L45E/6L50E | 1 | 06-11 | AE | 10155-72803 |
| B191 | Spring, diaphragm | 1-2-3-4 clutch | 1 | 06-11 | AE | 10155-72903 |
| B194 | Ring, apply | 1-2-3-4 clutch | 1 | 06-11 | AE | 10155-73403 |
| C195 | Planetary, front | 6L45E/6L50E | 1 | 06-11 | AE | 10155-73703 |
| C196 | Gear, front sun | 6L45E/6L50E | 1 | 06-11 | AE | 10155-74003 |
| C198 | Housing, 4-5-6 clutch w/shaft | 6L45E/6L50E | 1 | 06-11 | AE | 10155-74303 |
| C199 | Spring, diaphragm | 4-5-6 clutch | 1 | 06-11 | AE | 10155-74503 |
| C200 | Hub 4-5-6 clutch w/shaft | 6L45E/6L50E | 1 | 06-11 | AE | 10155-74703 |
| C202 | Damper | 6L45E/6L50E | 1 | 06-11 | AE | 10155-74903 |
| C203 | Retainer, damper | 6L45E/6L50E | 1 | 06-11 | AE | 10155-75003 |
| D205 | Hub, 1-2-3-4 clutch w/shaft | 6L45E/6L50E | 1 | 06-11 | AE | 10155-75503 |
| D206 | Hub, 2-6/3-5/reverse hub w/shaft | 6L45E/6L50E | 1 | 06-11 | AE | 10155-75803 |
| D208 | Spring, diaphragm | 2-6 clutch | 1 | 06-11 | AE | 10155-76003 |
| D209 | Support, center | 2-6/low/reverse clutch housing | 1 | 06-11 | AE | 10155-76503 |
| E210 | Spring, diaphragm | low/reverse clutch | 1 | 06-11 | AE | 10155-76803 |
| E212 | Retainer, low sprag | 6L45E/6L50E | 1 | 06-11 | AE | 10155-76903 |
| E213 | Race, inner sprag | 6L45E/6L50E | 1 | 06-11 | AE | 10155-77103 |
| E216 | Retainer, low sprag | 6L45E/6L50E | 1 | 06-11 | AE | 10155-76903 |
| E219 | Race, outer sprag | low/reverse clutch hub | 1 | 06-11 | AE | 10155-77503 |
| F223 | Gear, front sun | 6L45E/6L50E | 1 | 06-11 | AE | 10155-77803 |
| F224 | Gear, rear sun | 6L45E/6L50E | 1 | 03-11 | AE | 10155-78103 |
| F225 | Planetary, rear | 6L45E/6L50E | 1 | 06-11 | AE | 10155-78503 |
| F227 | Gear, ring | 6L45E/6L50E | 1 | 06-11 | AE | 10155-78803 |
| F228 | Spacer, rear ring gear | 6L45E/6L50E | 1 | 06-11 | AE | 10155-79003 |
| F229 | Gear, rear ring | 6L45E/6L50E | 1 | 06-11 | AE | 10155-79103 |
| F230 | Shaft, output | 6L45E/6L50E | 1 | 06-11 | AE | 10155-79303 |
| G232 | Pan, bottom | 6L45E/6L50E | 1 | 06-11 | AE | 10155-79403 |
| G233 | Shaft, shift | 6L45E/6L50E | 1 | 06-11 | AE | 10155-79903 |
| G234 | Housing, main case | 6L45E/6L50E | 1 | 06-11 | AE | 10155-80103 |
| G236 | Rod, park | 6L45E/6L50E | 1 | 06-11 | AE | 10155-80503 |
| G237 | Cone, rooster | 6L45E/6L50E | 1 | 06-11 | AE | 10155-80603 |
| G239 | Housing, extension (2WD) | 6L45E/6L50E | 1 | 06-11 | AE | 10155-81003 |
| G239 | Housing, extension (4WD) | adapter | 1 | 06-11 | AE | 10155-81103 |
| G240 | Valve body assembly (w/solenoids) | 6L45E/6L50E | 1 | 06-11 | AE | 10155-81503 |
| ELECTRICAL COMPONENTS | | | | | | |
| G250 | Solenoid, w/TCM assembly | 6L45E/6L50E | 1 | 06-11 | n/a | 10155-85404 |
| G250 | Solenoid, w/TCM assembly | 6L45E | 1 | 07-09 | n/a | 45155-85404 |
| G252 | Connector, wiring | 6L45E/6L50E | 1 | 06-11 | n/a | 10155-86004 |
| G255 | Switch, manual lever position | 6L45E/6L50E | 1 | 06-11 | n/a | 10155-86504 |
| G255 | Sensor, w/harness | input | 1 | 06-11 | n/a | 10155-87504 |
| G255 | Sensor, w/harness | output | 1 | 06-11 | n/a | 10155-87604 |
| SPRAGS | | | | | | |
| E262 | Sprag, low | 6L45E/6L50E | 1 | 06-11 | n/a | 10155-94204 |
| BONDED PISTONS | | | | | | |
| B265 | Piston, bonded rubber | 1-2-3-4 clutch | 1 | 06-11 | n/a | 10155-96304 |
| C268 | Piston, bonded rubber | 4-5-6 clutch | 1 | 06-11 | n/a | 10155-96504 |
| C268 | Piston, bonded rubber (balance) | 4-5-6 clutch | 1 | 06-11 | n/a | 10155-96804 |
| D270 | Piston, bonded rubber | low/reverse clutch | 1 | 06-11 | n/a | 10155-97004 |
| E272 | Piston, bonded rubber (balance) | low/reverse clutch | 1 | 06-11 | n/a | 10155-97304 |



6L80E
10150-

| ILL | DESCRIPTION | QTY | YEAR | REFERENCE # | PART # |
|--------------------------------------|---|-----|-------|-------------|-------------|
| TECHNICAL MANUALS | | | | | |
| K53 | Tech manual 6L80E dis/assembly diagnosis/troubleshooting | 1 | 07-10 | 6L80E-TM | 010-322 |
| REBUILDER KITS | | | | | |
| K4 | Master deluxe rebuild kit w/pistons | 1 | 06-10 | AE | 10150-10004 |
| K4 | Master deluxe rebuild kit w/o pistons | 1 | 06-10 | AE | 10150-10104 |
| K5 | Master kit w/steels w/pistons | 1 | 06-10 | AE | 10150-11004 |
| K5 | Master kit w/steels w/o pistons | 1 | 06-10 | AE | 10150-11104 |
| K6 | Master kit w/o steels w/pistons | 1 | 06-10 | AE | 10150-12004 |
| K6 | Master kit w/o steels w/o pistons | 1 | 06-10 | AE | 10150-12104 |
| K7 | O/H gasket set w/seals-rings w/pistons | 1 | 06-10 | 2509 | 10150-13004 |
| K7 | O/H gasket set w/seals-rings w/o pistons | 1 | 06-10 | 2508 | 10150-13104 |
| K8 | External seal kit | 1 | 06-10 | AE | 10150-14004 |
| VALVE BODY KITS | | | | | |
| K15 | Shift Kit® 6L80E | 1 | 06-08 | TBA | 10150-17009 |
| K15 | Shift Correction Package 6L80E | 1 | 06-08 | TBA | 10150-17005 |
| GASKETS AND RUBBER COMPONENTS | | | | | |
| G1 | Gasket, oil pan (molded rubber) 6L80E | 1 | 06-10 | 24224781 | 10150-20004 |
| n/i | Gasket, valve body (lower) 6L80E | 1 | 06-10 | 24239576 | 10150-28204 |
| n/i | Gasket, valve body (upper) 6L80E | 1 | 06-10 | 24239577 | 10150-28304 |
| A3 | O'ring .130" 10.225" od 6L80E (pump to case) | 1 | 06-10 | 24224577 | 10150-21104 |
| A4 | O'ring 4.225" od 6L80E (pump slide to sealing ring) | 1 | 06-10 | 24222666 | 10150-21204 |
| A5 | Seal (rubber) 6L80E (pump slide to teflon guide) | 1 | 06-10 | n/a | 10150-21304 |
| A6 | Seal (teflon) 6L80E (pump slide to pump body) | 1 | 06-10 | n/a | 10150-24604 |
| A7 | O'ring 1.5" od 6L80E (stator shaft to stator) | 1 | 06-10 | 24224586 | 10150-21404 |
| A8 | Gasket 6L80E (stator shaft to stator) | 1 | 06-10 | 24224771 | 10150-28104 |
| A10 | O'ring (expander) 6L80E (stator shaft to sealing ring) | 3 | 07-10 | n/a | 10150-21604 |
| A12 | O'ring 4.0" od 6L80E (3-5/rev)(large) | 1 | 06-10 | 24225552 | 10150-21804 |
| A13 | O'ring 3.125" od 6L80E (3-5/rev)(small) | 1 | 06-10 | 24224629 | 10150-22004 |
| A14 | D'Ring 3.0" od 6L80E (1-2-3-4 inner) | 1 | 06-10 | 24224630 | 10150-24804 |
| A15 | D'Ring 7.065" od 6L80E (3-5/rev outer) | 1 | 06-10 | 24224698 | 10150-25004 |
| A16 | D'Ring 5.578" od 6L80E (3-5/rev inner) | 1 | 06-10 | 24224702 | 10150-25104 |
| A17 | D'Ring 7.065" od 6L80E (3-5/rev retainer) | 1 | 06-10 | 24224698 | 10150-25004 |
| A18 | D'Ring 5.415" od 6L80E (1-2-3-4 outer) | 1 | 06-10 | 24224704 | 10150-25504 |
| C19 | O'ring .069" 1.135" od (green) 6L80E (input shaft)(TCC) | 1 | 06-10 | 24219390 | 10150-22304 |
| E25 | O'ring .211" 3.110" od low sprag inner race to center support | 1 | 06-10 | n/a | 10150-22504 |
| G28 | O'ring .070" 1.395" od 6L80E (park pawl actuator guide to case) | 1 | 06-10 | n/a | 10150-22704 |
| G29 | O'ring .070" 1.395" od 6L80E (park pawl actuator guide to case) | 1 | 06-10 | n/a | 10150-22704 |
| G30 | Seal, lathe cut (orange od) 6L80E (extension housing to case) | 1 | 06-10 | 24224675 | 10150-23004 |
| G31 | Seal, multi lip .125" 1.389" od 6L80E (connector to case) | 1 | 06-10 | n/a | 10150-25704 |
| G32 | O'ring .115" 1.591" od 6L80E (connector to case) | 1 | 06-10 | 24232351 | 10150-22804 |
| G33 | O'ring .115" 1.591" od 6L80E (connector to case) | 1 | 06-10 | 24232351 | 10150-22804 |
| METAL CLAD SEALS | | | | | |
| A35 | Seal, metal clad 46.6x73/76x7.2/9.7 6L80E (front) | 1 | 06-09 | 24237531 | 10150-30104 |
| G38 | Seal, metal clad 6L80E (filter) | 1 | 06-09 | n/a | 10150-30204 |
| G39 | Seal, metal clad 6L80E (manual lever shaft) | 1 | 06-09 | n/a | 10150-30404 |
| G40 | Seal, metal clad (6) 6L80E (pump to valve body) | 1 | 06-09 | n/a | 10150-30704 |
| G42 | Seal, metal clad (3) 6L80E (pump to valve body) | 1 | 06-09 | n/a | 10150-30904 |
| G43 | Seal, metal clad (4) 6L80E (center support to valve body) | 1 | 06-09 | n/a | 10150-31004 |
| G44 | Seal, metal clad 6L80E (4WD adapter housing) | 1 | 06-09 | 24238076 | 10150-31204 |
| G44 | Seal, metal clad 6L80E (output shaft to case) | 1 | 06-09 | 24238076 | 10150-31204 |
| G45 | Seal, metal clad (w/boot) 6L80E (2WD extension housing) | 1 | 06-09 | 24233898 | 34743G |
| | | | | | |
| | | | | | |

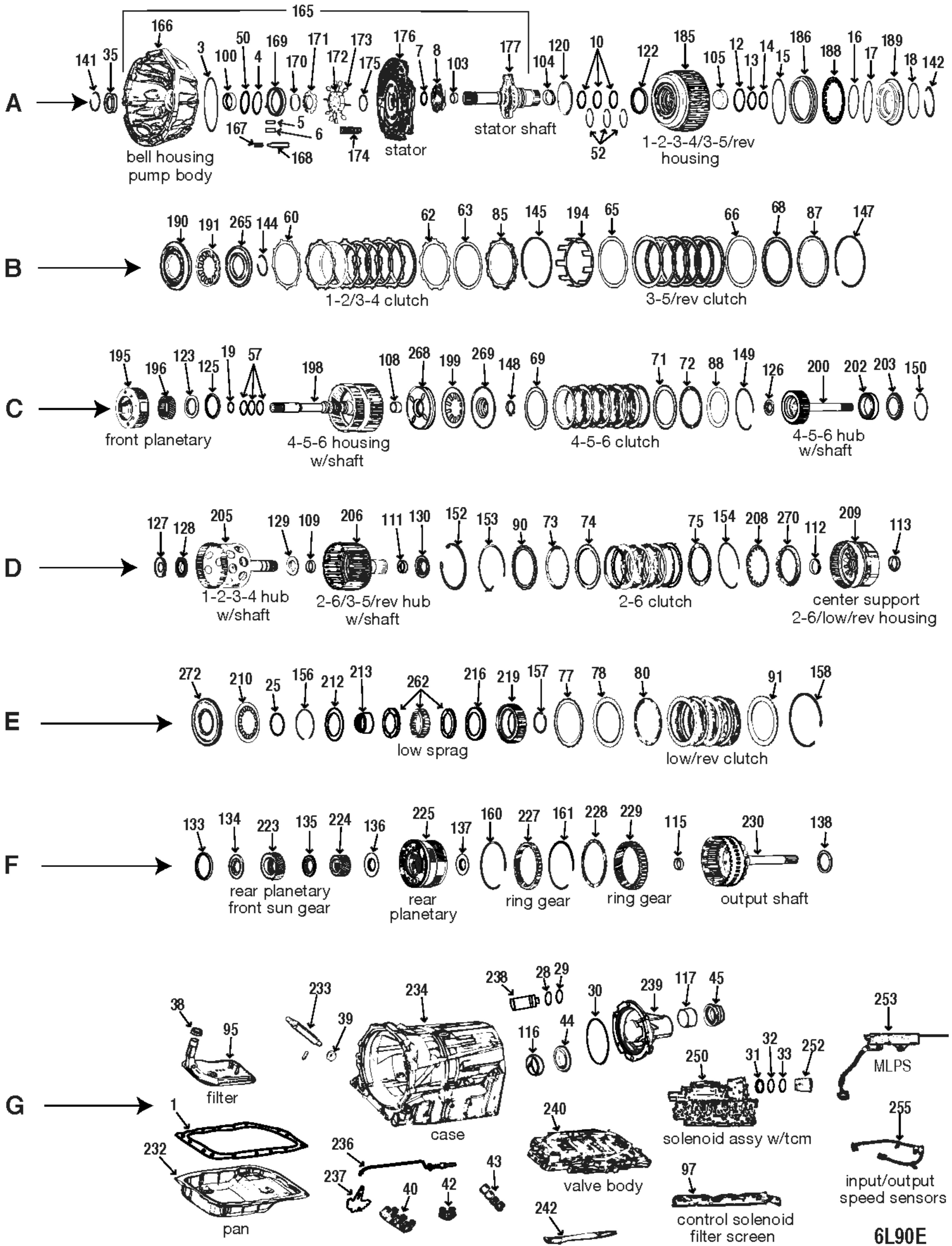
6L80E

6L80E

| ILL | DESCRIPTION | QTY | YEAR | REFERENCE # | PART # |
|-------------------------------------|--|-----|-------|-------------|-------------|
| SEALING RINGS | | | | | |
| K10 | Kit, sealing ring | 1 | 06-10 | AE | 10150-31504 |
| A50 | Ring, sealing (teflon) .075" 4.235" od | 1 | 06-10 | 24224584 | 10150-33204 |
| A52 | Ring, sealing (plastic) 1st design | 3 | 06-10 | 24238248 | 10150-33304 |
| A52 | Ring, sealing (plastic) 2nd design | 3 | 07-10 | n/a | 10150-33404 |
| C57 | Ring, sealing (teflon)(solid) | 3 | 06-10 | 24224655 | 10150-34004 |
| CLUTCH PLATES | | | | | |
| B60 | Steel, waved .052" 6.377" id 9T | 1 | 06-10 | 24239615 | 10150-37604 |
| B62 | Steel .070" 6.357" id 9T | 6 | 06-10 | 195701-170 | 10150-37904 |
| B63 | Friction .065" 7.228" od 36T | 6 | 06-10 | 195700-170 | 10150-35204 |
| B65 | Steel, waved .052" 6.733" id 18T | 1 | 06-10 | 24239828 | 10150-38104 |
| B66 | Steel .109" 6.733" id 36T | 5 | 06-10 | 195703-275 | 10150-38504 |
| B68 | Friction .073" 7.647" od 36T | 5 | 06-10 | 195702-180 | 10150-35604 |
| C69 | Steel, waved .063" 4.241" id | 1 | 06-10 | 24224647 | 10150-38704 |
| C71 | Steel .087" 4.252" id 36T | 7 | 06-10 | 195705-225 | 10150-39004 |
| C72 | Friction .063" 5.098" od 36T | 7 | 06-10 | 195704-160 | 10150-36004 |
| D73 | Friction .074" 7.879" od 36T | 6 | 06-10 | 195706-183 | 10150-36304 |
| D74 | Steel .086" 6.674" id 24T | 6 | 06-10 | 195707-220 | 10150-39304 |
| D75 | Steel, waved .058" 6.682" id | 1 | 06-10 | 24224659 | 10150-39604 |
| E77 | Steel, waved .085" 6.012" id | 1 | 06-10 | 24224734 | 10150-39804 |
| E78 | Steel .069" 6.009" id 36T | 6 | 06-07 | 195709-173 | 10150-40004 |
| E80 | Friction .065" 6.993" od 54T | 6 | 06-10 | 195708-163 | 10150-36604 |
| PRESSURE PLATES | | | | | |
| B85 | Pressure plate .315" 6.357" id 9T | 1 | 06-10 | 24222632 | 10150-41203 |
| A87 | PP stepped .159" 6.733" id .437" oh 36T | 1 | 06-10 | 24224149 | 10150-41503 |
| C88 | PP stepped .159" 4.252" id .310" oh 36T | 1 | 06-10 | 24224159 | 10150-41903 |
| D90 | PP stepped .118" 6.674" id .240" oh 24T | 1 | 06-10 | 24224171 | 10150-42503 |
| E91 | PP stepped .240" 6.009" id .313" oh 36T | 1 | 06-10 | 24224175 | 10150-42903 |
| FILTERS | | | | | |
| K9 | Kit, filter (molded rubber) | 1 | 06-10 | AE | 10150-44504 |
| G95 | Filter | 1 | 06-10 | 24236933 | 10150-45004 |
| BUSHINGS | | | | | |
| K14 | Kit, bushing | 1 | 06-10 | AE | 10150-50004 |
| A100 | Bushing (teflon) 1.998" od .783" wide | 1 | 06-10 | 24236337 | 10150-50704 |
| A103 | Bushing (babbit) | 1 | 06-10 | n/a | 10150-50904 |
| A104 | Bushing (babbit) | 1 | 06-10 | n/a | 10150-51104 |
| A105 | Bushing (babbit) | 1 | 06-10 | n/a | 10150-51204 |
| A108 | Bushing (babbit) | 1 | 06-10 | n/a | 10150-51504 |
| C109 | Bushing (babbit w/dimples) | 1 | 06-10 | n/a | 10150-51804 |
| D111 | Bushing (babbit) | 1 | 06-10 | n/a | 10150-52004 |
| D112 | Bushing (babbit) | 1 | 06-10 | n/a | 10150-52204 |
| D113 | Bushing (babbit) | 1 | 06-10 | n/a | 10150-52504 |
| F115 | Bushing (babbit) | 1 | 06-10 | n/a | 10150-52804 |
| G116 | Bushing (tef w/lube hole) .591" 2.193" od | 1 | 06-10 | n/a | 10150-53004 |
| G117 | Bushing | 1 | 06-10 | n/a | 10150-53404 |
| WASHERS/BEARINGS/RACES/SHIMS | | | | | |
| K14 | Kit, washer | 1 | 06-10 | AE | 10150-54504 |
| K12 | Kit, thrust bearing | 1 | 06-10 | AE | 10150-55104 |
| A120 | TW (#2) | 1 | 06-10 | 24224692 | 10150-56204 |
| A122 | Bearing, caged w/seal .464" 3.288" id | 1 | 06-10 | 24226393 | 10150-56504 |
| C123 | TB .199" 1.859" id 2.589" od | 1 | 06-08 | 24224405 | 10150-56704 |
| C125 | TB .062" 2.982" id 3.540" od | 1 | 06-10 | 24232409 | 10150-56904 |
| C126 | TB .142" .689" id 1.329" od (3tabs) | 1 | 06-10 | 24233899 | 10150-57304 |
| D127 | Race w/outer lip .028" 1.382" id 2.266" od | 1 | 06-10 | n/a | 10150-57504 |

| ILL | DESCRIPTION | QTY | YEAR | REFERENCE # | PART # |
|---|--|-----|-------|-------------|-------------|
| WASHERS/BEARINGS/RACES/SHIMS (CONTINUED) | | | | | |
| D128 | TB open w/inner lip 1.098" id 2.467" od .437" oh (race to 1-2-3-4 hub) | 1 | 06-10 | 24233732 | 10150-57804 |
| D129 | TB w/inner lip .150" 1.545" id 2.505" od .301" oh (1-2-3-4 hub to 2-6/3-5/rev hub) | 1 | 06-10 | 24224163 | 10150-58004 |
| D130 | TB w/outer lip 2.054" id 2.825" od .245" oh (2-6/3-5/rev hub to center supt) | 1 | 06-10 | 24224164 | 10150-58204 |
| F133 | Bearing, caged .334" 2.850" id 3.200" od center support rear to rear planetary | 1 | 06-10 | 24224853 | 10150-58404 |
| F134 | TB w/inner lip .145" 1.881" id 2.736" od .282" oh (cent supt to rr planet s/g frt) | 1 | 06-10 | 24224176 | 10150-58704 |
| F135 | TB w/inner lip .225" 1.428" id 2.476" od .356" oh (rear planet s/g frt to rr s/g) | 1 | 06-10 | 24224178 | 10150-58904 |
| F136 | Bearing, thrust rear planet rear sun gear to rr planet hsg | 1 | 06-10 | n/a | 10150-59104 |
| F137 | TB w/inner lip .205" 1.511" id 2.489" od rear planetary to output shaft | 1 | 06-10 | 24224188 | 10150-59304 |
| F138 | TB 153" 2.501" id 3.371" od output shaft to case | 1 | 06-10 | n/a | 10150-59504 |
| SNAP RINGS | | | | | |
| A141 | Snap ring .059" 3.190" od front seal | 1 | 06-10 | n/a | 10150-62203 |
| A142 | Snap ring .069" 3.169" od 1-2-3-4 piston | 1 | 06-10 | n/a | 10150-62403 |
| B144 | Snap ring .048" 2.675" od 1-2-3-4 spring retainer | 1 | 06-10 | n/a | 10150-62603 |
| B145 | Snap ring .130" 9.382" od 1-2-3-4 | 1 | 06-10 | n/a | 10150-62903 |
| B147 | Snap ring .087" 9.382" od 3-5/rev | 1 | 06-10 | n/a | 10150-63103 |
| C148 | Snap ring, w/eyelets .078" 1.345" od 4-5-6 spring retainer | 1 | 06-10 | n/a | 10150-63203 |
| C149 | Snap ring .083" 5.896" od 4-5-6 | 1 | 06-10 | n/a | 10150-63503 |
| C150 | Snap ring, waved .066" 4.089" od 4-5-6 dampener retainer | 1 | 06-10 | n/a | 10150-63703 |
| D152 | Snap ring, w/eyelets .159" 9.188" od tapered top (center support to case) | 1 | 06-10 | n/a | 10150-64003 |
| D153 | Snap ring .079" 8.569" od 2-6 | 1 | 06-10 | n/a | 10150-64203 |
| D154 | Snap ring .115" 9.0" od (tapered to inner) 2-6 spring retainer | 1 | 06-10 | n/a | 10150-64503 |
| E156 | Snap ring .045" 4.789" od low sprag | 1 | 06-10 | n/a | 10150-64803 |
| E157 | Snap ring .059" 3.077" od low/rev spring retainer | 1 | 06-10 | n/a | 10150-65003 |
| E158 | Snap ring .090" 7.989" od low/rev | 1 | 06-10 | n/a | 10150-65303 |
| F160 | Snap ring .083" 7.750" od output shaft to front ring gear | 1 | 06-10 | n/a | 10150-65703 |
| F161 | Snap ring .083" 7.750" od output shaft to rear ring gear spacer | 1 | 06-10 | n/a | 10150-65703 |
| PUMP PARTS AND PUMPS | | | | | |
| A165 | Pump assembly 6L80E | 1 | 06-10 | 24236116 | 10150-67003 |
| A167 | Spring, pivot pin .038" .271" od .343" ol 6L80E | 1 | 06-10 | AE | 10150-68103 |
| A168 | Pin, pivot .308" od 1.265" ol 6L80E | 1 | 06-10 | AE | 10150-68203 |
| A169 | Slide, pump 17.948-17.960mm .706" 6L80E (3.696" id) | 1 | 06-10 | 24222668 | 10150-68304 |
| A169 | Slide, pump 17.961-17.974mm .707" 6L80E (3.696" id) | 1 | 06-10 | 24224131 | 10150-68404 |
| A169 | Slide, pump 17.975-17.987mm .708" 6L80E (3.696" id) | 1 | 06-10 | 24224132 | 10150-68504 |
| A170 | Ring, pump vane .104" 2.627" od (solid) 6L80E | 1 | 06-07 | n/a | 10150-68604 |
| A171 | Guide, rotor (13 vane type) (4 tabs) 6L80E | 1 | 06-10 | n/a | 10150-68704 |
| A172 | Rotor, pump 17.948-17.960mm .706" 6L80E (3.418" od 13 vane) | 1 | 06-10 | n/a | 10150-68804 |
| A172 | Rotor, pump 17.961-17.974mm .707" 6L80E (3.418" od 13 vane) | 1 | 06-10 | n/a | 10150-68904 |
| A172 | Rotor, pump 17.975-17.987mm .708" 6L80E (3.418" od 13 vane) | 1 | 06-10 | n/a | 10150-69004 |
| A173 | Vane, pump .079" .534" w .706" oh 6L80E | 13 | 06-10 | n/a | 10150-69204 |
| A174 | Spring, pump slide .106" 1.911" oh 6L80E (.689" od) | 1 | 06-10 | AE | 10150-69303 |
| A175 | Ring, pump vane .104" 2.627" od (solid) 6L80E | 1 | 06-10 | n/a | 10150-68604 |
| A176 | Stator (pump cover) 6L80E (cast# 6CTP733120013) | 1 | 06-10 | Ae | 10150-69503 |
| A177 | Shaft, stator 6L80E (w/expander rings) | 1 | 08-10 | AE | 10150-69703 |
| A177 | Shaft, stator 9.198" oh w/o expander rings 36 splines front 68 splines rear | 1 | 06-10 | AE | 10150-69903 |
| HARD PARTS | | | | | |
| A185 | Housing (1st design) 1-2-3-4/3-5/rev | 1 | 06-06 | 24240398 | 10150-72203 |
| A185 | Housing (2nd design) 1-2-3-4/3-5/rev (ink #8YDXX331205955) | 1 | 06-10 | 24237185 | 10150-72303 |
| A186 | Piston (1st design) 3-5/rev (casting #24238697/24238696) | 1 | 06-08 | 24238696 | 10150-72503 |
| A186 | Piston (2nd design) 3-5/reverse clutch | 1 | 08-10 | 24242871 | 10150-72603 |
| A188 | Spring, diaphragm 3-5/reverse clutch | 1 | 06-07 | 24224878 | 10150-72903 |
| A188 | Spring, diaphragm .055" 6.905" od 3-5/rev 16 fingers | 1 | 08-10 | 24237308 | 10150-73003 |
| A189 | Piston, housing 1-2-3-4 clutch | 1 | 06-07 | 24224700 | 10150-73203 |
| A189 | Piston, housing (2nd design) 1-2-3-4 clutch (casting #24238699) | 1 | 08-10 | 24238699 | 10150-73303 |

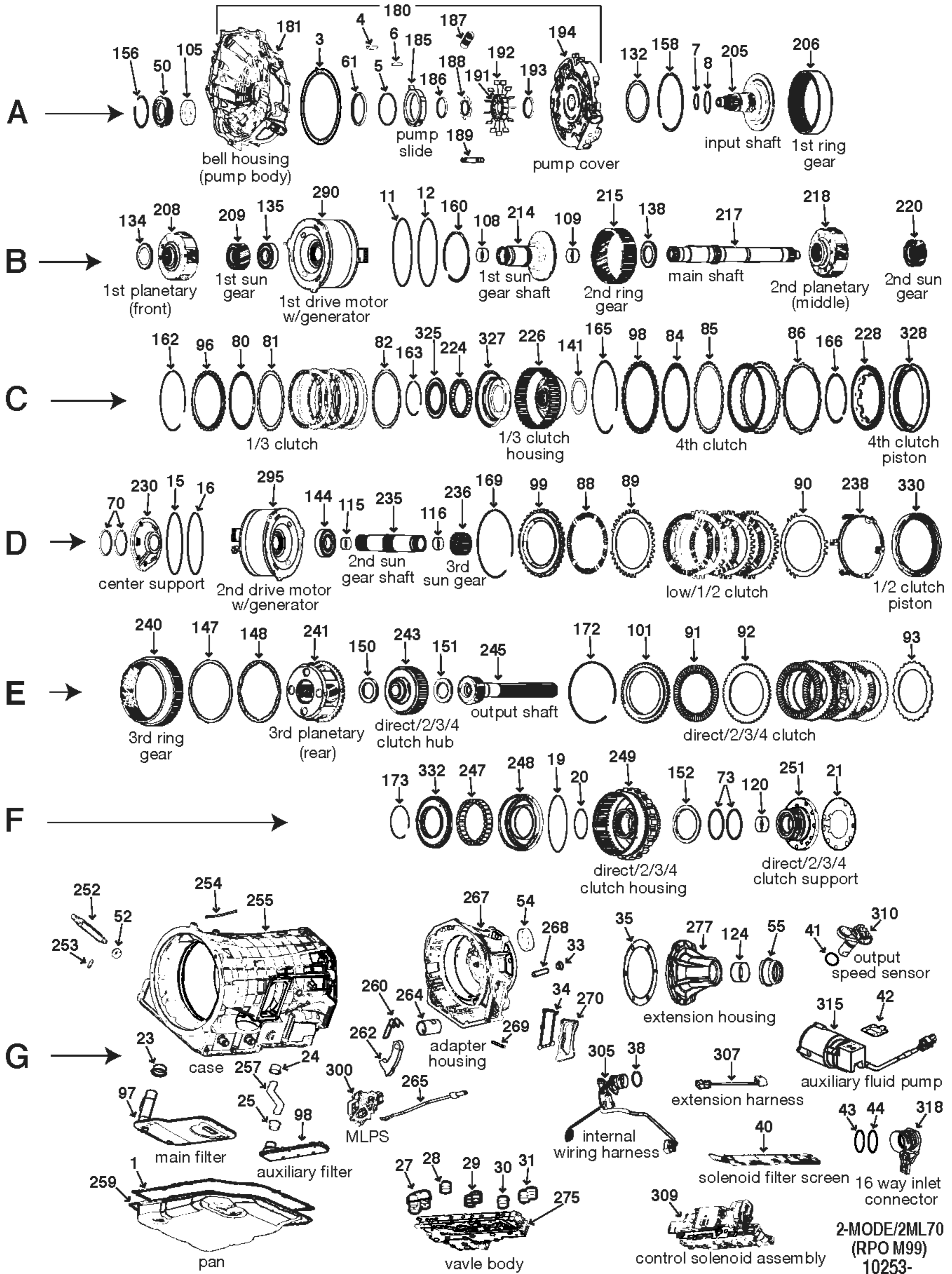
| ILL | DESCRIPTION | QTY | YEAR | REFERENCE # | PART # | |
|-------------------------------|--|--|------|-------------|---------------|-------------|
| HARD PARTS (CONTINUED) | | | | | | |
| B190 | Piston, 1-2-3-4 clutch | 6L80E | 1 | 06-07 | 24224146 | 10150-73503 |
| B190 | Piston, (2nd design) | 1-2-3-4 clutch (casting #24238700) | 1 | 08-10 | 24238700 | 10150-73603 |
| B191 | Spring, diaphragm .063" 5.401" od | 1-2-3-4 12 fingers | 1 | 06-10 | 24224707 | 10150-74003 |
| B194 | Ring, apply 7.625" od 2.002" oh | 3-5/rev | 1 | 06-10 | 24224633 | 10150-74403 |
| C195 | Planetary 6 pin 22T gears | front input (ink #7YDXX331125140) | 1 | 06-10 | 24236874 | 10150-74703 |
| C196 | Gear, sun 2.542" od 1.044" oh 50T | front input | 1 | 06-10 | 24224404 | 10150-74903 |
| C198 | Housing 36 spl 94T 13.750" oh | 4-5-6 w/shaft cast #8YDXX334452444) | 1 | 06-10 | n/a | 10150-75103 |
| C199 | Spring, diaphragm .076" 4.720" od | 4-5-6 (10 fingers) | 1 | 06-10 | 24224714 | 10150-75303 |
| C200 | Hub, w/shaft 32 spl 10.380" oh | 4-5-6(cast #6DFH733110047) | 1 | 06-10 | 24234116 | 10150-75403 |
| C202 | Dampener 2.832" id 3.815" od 1.227" oh | 4-5-6 hub (ink #24233481) | 1 | 06-10 | 24230368 | 10150-75703 |
| C203 | Retainer, dished .070" 2.605" id 36T | 4-5-6 hub .175" oh | 1 | 06-10 | 24230370 | 10150-76003 |
| D205 | Hub, w/shaft 6.250" od 12.0" oh 36 spl | 1-2-3-4 (ink#318-07-8402) | 1 | 06-10 | 24224162 | 10150-76203 |
| D206 | Hub, w/shaft 6.576" od 8.50" oh 62 spl | 2-6/3-5/rev (ink #275-07-8400) | 1 | 06-10 | 24235127 | 10150-76503 |
| D208 | Spring, diaphragm .062" 8.0" od | 2-6 clutch (18 fingers) | 1 | 06-10 | 24224725 | 10150-77003 |
| D209 | Support, center 8.5" od 5.630" oh | 2-6/low/rev (cast #24226657) | 1 | 06-10 | 24232457 | 10150-77203 |
| E210 | Spring, diaphragm .069" 5.313" od | low/rev (12 fingers) | 1 | 06-10 | 24224172 | 10150-77403 |
| E212 | Retainer, sprag .031" 3.431" id 4.623" od | low sprag | 1 | 06-10 | n/a | 10150-77503 |
| E213 | Race, inner sprag 1.485" oh 3.886" od | low sprag | 1 | 06-10 | n/a | 10150-77803 |
| E216 | Retainer, w/outer lip 3.664" id 4.967" od | low sprag press in .144" oh | 1 | 06-10 | n/a | 10150-79003 |
| E219 | Race, outer 4.630" id 5.851" od 1.505" oh | low sprag | 1 | 06-10 | n/a | 10150-79303 |
| F223 | Gear, sun 1 groove 3.114" od .968" oh 46T | rear planet front | 1 | 06-10 | 24224177 | 10150-79403 |
| F224 | Gear, sun 2.495" od 1.720" oh 35T | 2 grooves rear planet rear (tall) | 1 | 06-10 | 24235435 | 10150-79603 |
| F224 | Gear, sun 1 groove 2.492" od 1.273" oh 35T | rear planet rear (short) | 1 | 06-10 | n/a | 10150-79703 |
| F225 | Planetary, rear 24T frt pn 26T/24T rr pin | 4.668" oh (short rear sun gear) | 1 | 06-10 | n/a | 10150-79903 |
| F225 | Planetary, rear 5.214" oh 24T frt pin | tall rear sun gear (ink #7YDXX331201350) | 1 | 06-10 | 24224747 | 10150-80003 |
| F227 | Gear, ring 2 groove 7.307" od .947" oh 92T | rear planet front | 1 | 06-10 | 24224194 | 10150-80203 |
| F228 | Spacer .256" 6.5" id 34T | front ring gear to rear ring gear | 1 | 06-10 | 24227962 | 10150-80503 |
| F229 | Gear, ring 2 groove 7.307" od 92T | rear planetary ring gear 1.597" oh | 1 | 06-10 | 24230545 | 10150-80703 |
| F230 | Shaft, output 7.5" od 9.125" oh 29 spl | 6L80E | 1 | 06-10 | 24238883 | 10150-81003 |
| G232 | Pan, oil | 6L80E | 1 | 06-10 | 24239529 | 10150-81503 |
| G233 | Shaft, manual lever .498" 3.861" long | 6L80E | 1 | 06-10 | n/a | 10150-82003 |
| G234 | Case, casting# 24242272 | 6L80E | 1 | 06-10 | n/a | 10150-82403 |
| G236 | Rod, park | actuato | 1 | 06-10 | n/a | 10150-82803 |
| G236 | Rod, park 14.0" long | actuator | 1 | 06-10 | n/a | 10150-82903 |
| G237 | Lever, detent | rooster comb | 1 | 06-07 | 24234565 | 10150-83003 |
| G237 | Lever, detent | rooster comb | 1 | 08-10 | 24242343 | 10150-83103 |
| G238 | Guide, park pawl actuator | 6L80E | 1 | 06-10 | 24224348 | 10150-83303 |
| G239 | Housing, extension 2WD | 6L80E | 1 | 06-10 | n/a | 10150-83503 |
| G240 | Valve body assembly | lower #9581/upper #9404 | 1 | 06-10 | 8A 7L33114172 | 10150-84103 |
| G242 | Detent, spring | 6L80E | 1 | 06-07 | 24222646 | 10150-84803 |
| G242 | Detent, spring | 6L80E | 1 | 08-10 | 24242341 | 10150-84903 |
| ELECTRICAL COMPONENTS | | | | | | |
| G250 | Solenoid w/TCM assy | 6L80E | 1 | 06-10 | 24238968 | 10150-85404 |
| G250 | Solenoid w/TCM assy ink# 24241873 | 6L80E | 1 | 08-10 | 24241890 | 10150-85504 |
| G252 | Connector, wiring casting# 24239878 | 6L80E | 1 | 06-10 | 24239878 | 10150-86004 |
| G253 | Switch, manual lever position | 6L80E (casting#24242938) | 1 | 06-10 | 24224216 | 10150-86504 |
| G255 | Sensors, speed w/harness | 6L80E (input and output) | 1 | 06-07 | 24222652 | 10150-87504 |
| G255 | Sensors, speed w/harness | 6L80E (input and output) | 1 | 06-10 | 24238417 | 10150-87604 |
| | | | | | | |
| | | | | | | |
| | | | | | | |
| | | | | | | |
| | | | | | | |



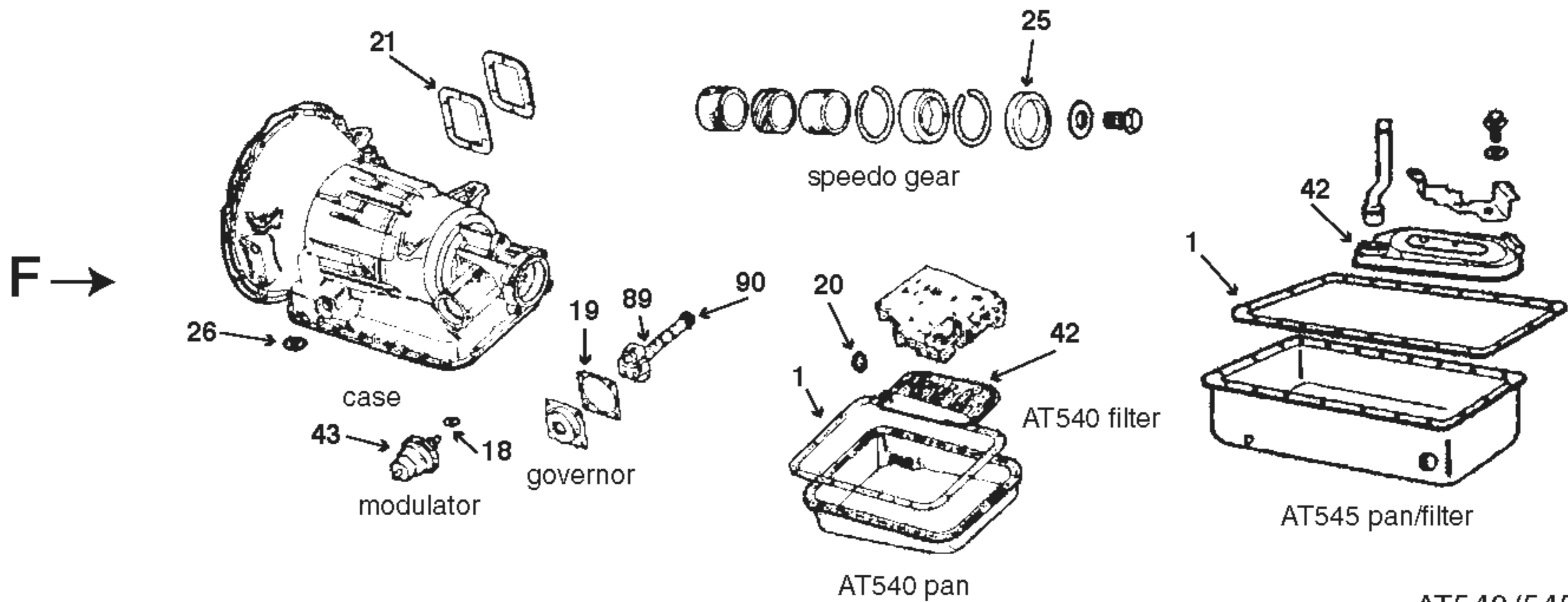
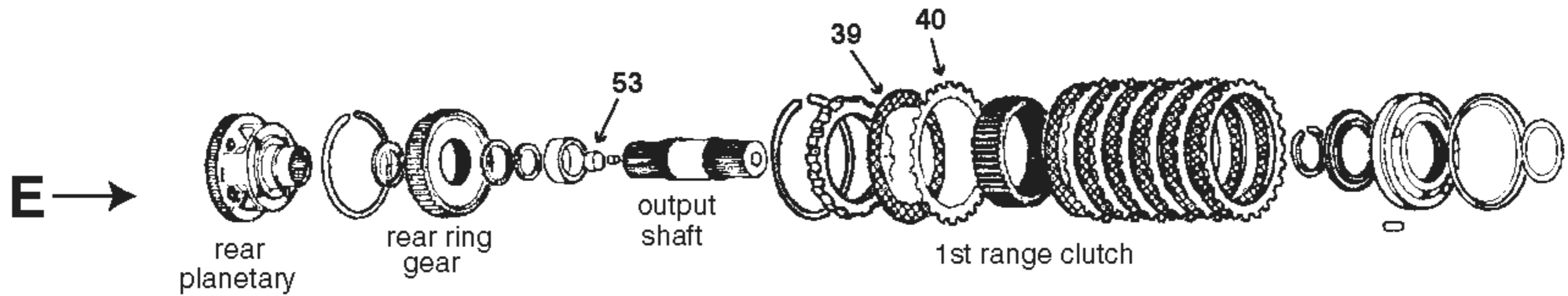
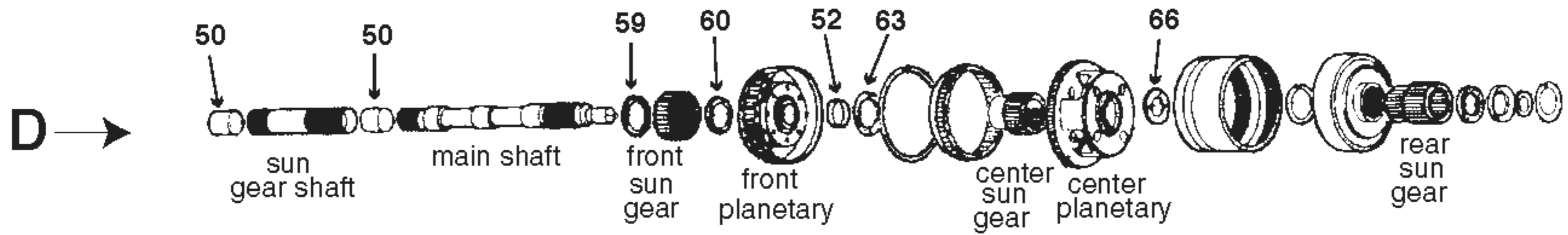
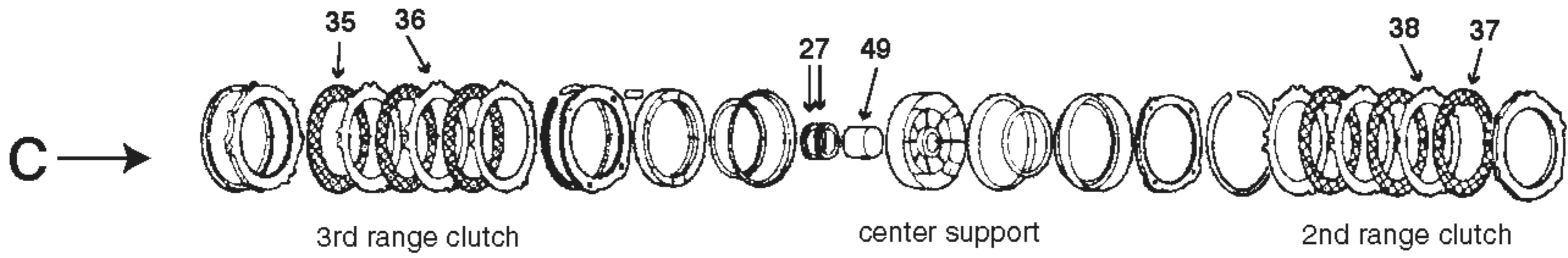
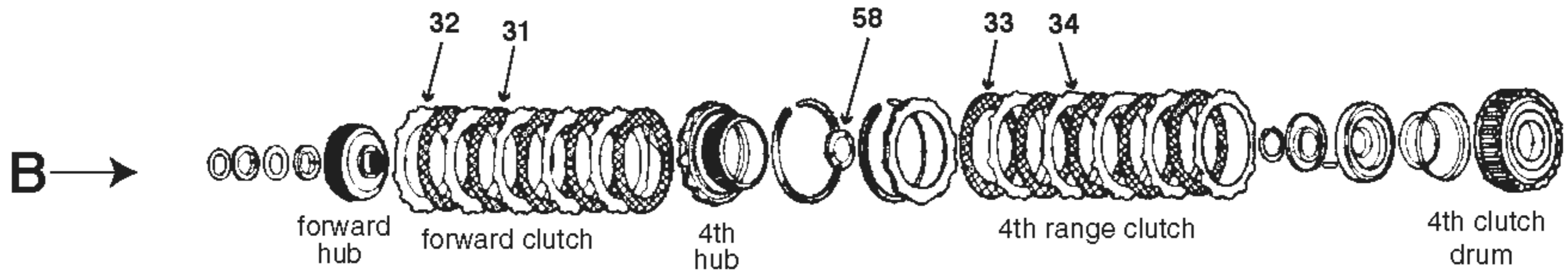
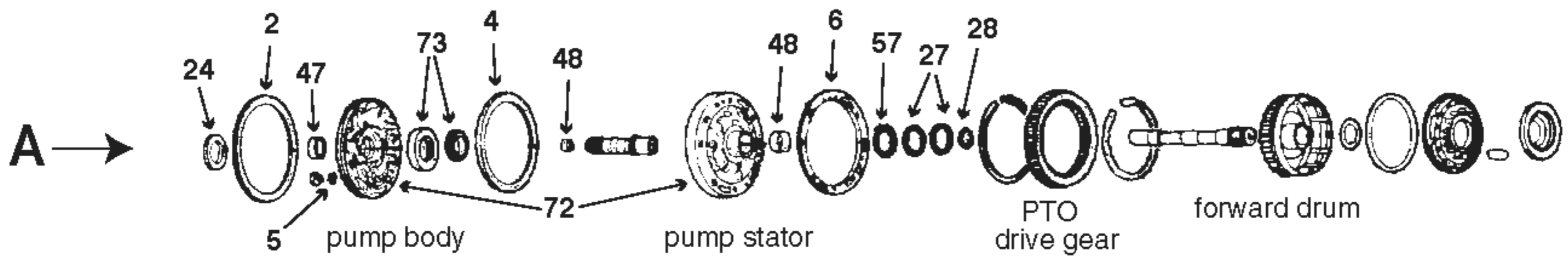
6L90E
10151-

2ML70•2-MODE (RPO M99)•AHS-T

2ML70•2-MODE•AHS-T



| ILL | DESCRIPTION | | QTY | YEAR | REFERENCE # | PART # |
|--------------------------------------|-------------------------------------|---------------------------|-----|-------|-------------|-------------|
| TECHNICAL MANUALS | | | | | | |
| K53 | Tech manual 2ML70/MODE dis/assembly | diagnosis/troubleshooting | 1 | 08-10 | n/a | 010-330 |
| REBUILDER KITS | | | | | | |
| K5 | Master kit w/steels | w/pistons | 1 | 08-10 | AE | 10253-11004 |
| K5 | Master kit w/steels | w/o pistons | 1 | 08-10 | AE | 10253-11104 |
| K6 | Master kit w/o steels | w/pistons | 1 | 08-10 | AE | 10253-12004 |
| K6 | Master kit w/o steels | w/o pistons | 1 | 08-10 | AE | 10253-12104 |
| K7 | O/H gasket set w/seals-rings | w/pistons | 1 | 08-10 | n/a | 10253-13004 |
| K7 | O/H gasket set w/seals-rings | w/o pistons | 1 | 08-10 | n/a | 10253-13104 |
| GASKETS AND RUBBER COMPONENTS | | | | | | |
| G1 | Gasket, oil pan | molded rubber | 1 | 08-10 | n/a | 10253-20004 |
| A3 | Gasket | pump | 1 | 08-10 | n/a | 10253-28004 |
| METAL CLAD SEALS | | | | | | |
| A50 | Seal, metal clad | front | 1 | 08-10 | n/a | 10253-30004 |
| G55 | Seal, metal clad | rear | 1 | 08-10 | n/a | 10253-30005 |
| G54 | Seal, metal clad | adapter housing | 1 | 08-10 | n/a | 10253-30006 |
| SEALING RINGS | | | | | | |
| K10 | Kit, sealing ring | sealing rings | 1 | 08-10 | n/a | 10253-31504 |
| CLUTCH PLATES | | | | | | |
| C80 | Friction | 1st/3rd clutch | 4 | 08-10 | n/a | 10253-35104 |
| C81 | Steel | 1st/3rd clutch | 4 | 08-10 | n/a | 10253-37504 |
| C82 | Steel, waved | 1st/2nd clutch | 1 | 08-10 | n/a | 10253-40704 |
| C84 | Friction | 4th clutch | 2 | 08-10 | n/a | 10253-35204 |
| C85 | Steel | 4th clutch | 2 | 08-10 | n/a | 10253-37604 |
| C86 | Steel, waved | 4th clutch | 1 | 08-10 | n/a | 10253-40804 |
| D88 | Friction | 1st/2nd clutch | 4 | 08-10 | n/a | 10253-35304 |
| D89 | Steel | 1st/2nd clutch | 4 | 08-10 | n/a | 10253-37704 |
| D90 | Steel, waved | 1st/2nd clutch | 1 | 08-10 | n/a | 10253-40904 |
| E91 | Friction | 2nd/3rd/4th clutch | 4 | 08-10 | n/a | 10253-35404 |
| E92 | Steel | 2nd/3rd/4th clutch | 4 | 08-10 | n/a | 10253-37804 |
| D93 | Steel, waved | 2nd/3rd/4th clutch | 1 | 08-10 | n/a | 10253-41004 |
| PRESSURE PLATES | | | | | | |
| C96 | Pressure plate | 1st/3rd clutch | 1 | 08-10 | n/a | 10253-41103 |
| C98 | Pressure plate | 4th clutch | 1 | 08-10 | n/a | 10253-41603 |
| D99 | Pressure plate | 1st/2nd clutch | 1 | 08-10 | n/a | 10253-42103 |
| E101 | Pressure plate | 2nd/3rd/4th clutch | 1 | 08-10 | n/a | 10253-42603 |
| FILTERS | | | | | | |
| K10 | Kit, filter | 2WD | 1 | 08-10 | AE | 10253-44504 |
| K10 | Kit, filter | 4WD | 1 | 08-10 | AE | 10253-44604 |
| G97 | Filter | 2WD | 1 | 08-10 | n/a | 10253-45004 |
| G97 | Filter | 4WD | 1 | 08-10 | n/a | 10253-45104 |
| G98 | Filter, auxiliary | all | 1 | 08-10 | AE | 10253-45504 |
| BUSHINGS | | | | | | |
| K13 | Kit, bushing | bushing kit | 1 | 08-10 | AE | 10253-50004 |
| WASHERS/BEARINGS/RACES/SHIMS | | | | | | |
| K12 | Kit, thrust bearing | thrust bearings | 1 | 08-10 | AE | 10253-55104 |
| PUMP PARTS AND PUMPS | | | | | | |
| A180 | Pump assembly | exchange needed | 1 | 08-10 | AE | 10253-67003 |
| BONDED PISTONS | | | | | | |
| C327 | Piston, bonded rubber | 1st/3rd clutch | 1 | 08-10 | n/a | 10253-96104 |
| C328 | Piston, bonded rubber | 4th clutch | 1 | 08-10 | n/a | 10253-96304 |
| D330 | Piston, bonded rubber | 1st/2nd clutch | 1 | 08-10 | n/a | 10253-96504 |
| F332 | Piston, bonded rubber | 2nd/3rd/4th clutch | 1 | 08-10 | n/a | 10253-97004 |

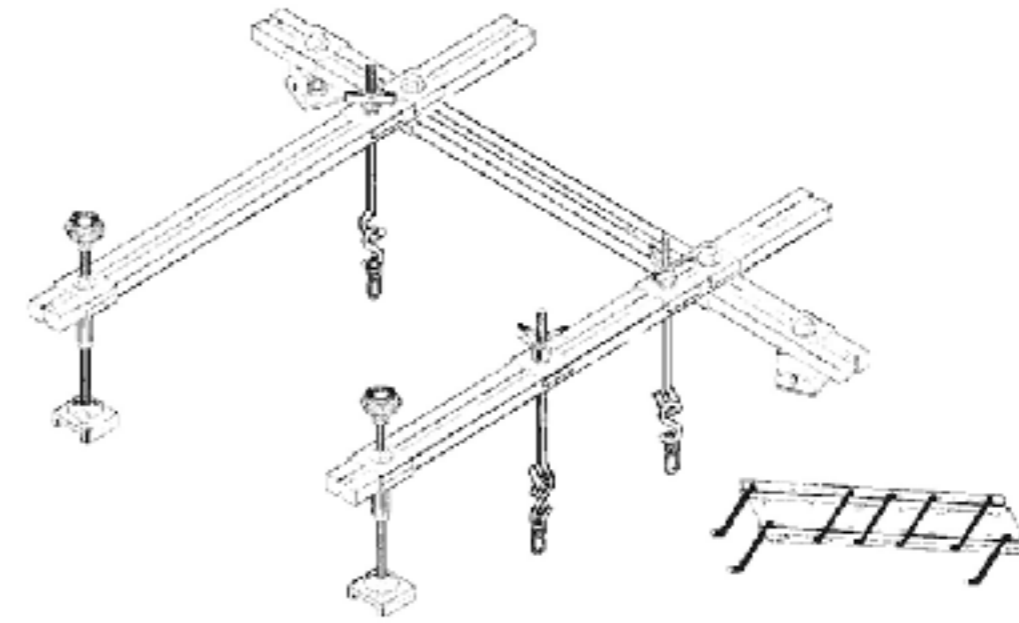


AT540/545
 11000

| ILL | DESCRIPTION | QTY | YEAR | REFERENCE # | PART # |
|--------------------------------------|-------------------------------|-----|-------|-------------|----------|
| REBUILDER KITS | | | | | |
| K5 | Master kit w/steels | 1 | 70-99 | AE | K1100 |
| K6 | Master kit w/o steels | 1 | 70-99 | AE | K1100-LS |
| K7 | O/H gasket set w/seals-rings | 1 | 70-99 | AE | K11900 |
| GASKETS AND RUBBER COMPONENTS | | | | | |
| F1 | Gasket, oil pan | 1 | 70-99 | 6885423 | 13540X |
| F1 | Gasket, oil pan | 1 | 70-99 | 23016682 | 13540D |
| A2 | Seal, lathe cut | 1 | 70-99 | 23016599 | 3877L |
| A4 | Seal, lathe cut | 1 | 70-99 | 23016600 | 13152 |
| A5 | Washer, coated | 17 | 70-99 | 8626281 | 13268A |
| A6 | Gasket, charging pump to case | 1 | 70-99 | 23015883 | 13403 |
| F18 | O'ring | 1 | 70-99 | 10054241 | 3410L |
| F19 | Gasket | 1 | 70-99 | 23011670 | 3914L |
| F20 | O'ring | 1 | 70-99 | 1363951 | 3547L |
| F21 | Gasket, power take off cover | 1 | 70-99 | 23016683 | 3915L |
| METAL CLAD SEALS | | | | | |
| A24 | Seal, metal clad | 1 | 70-99 | 23015975 | 38151A |
| F25 | Seal, metal clad | 1 | 70-99 | 6778050 | 11850 |
| F26 | Seal, metal clad | 1 | 70-99 | 23010610 | 38511 |
| SEALING RINGS | | | | | |
| K10 | Kit, sealing ring | 1 | 70-99 | AE | K11901 |
| A27 | Ring, sealing | 2 | 70-99 | 8621075 | 11302 |
| C27 | Ring, sealing | 2 | 70-99 | 8621075 | 11302 |
| A28 | Ring, sealing | 1 | 70-99 | 8616052 | 11301 |
| CLUTCH PLATES | | | | | |
| B31 | Friction .080" 5.890" od 42T | 5 | 70-99 | 23042197 | 11103 |
| B32 | Steel .090" 4.585" id 12T | 5 | 70-99 | 29530330 | 34305C |
| B33 | Friction .080" 5.890" od 42T | 5 | 70-99 | 23042197 | 11103 |
| B34 | Steel .090" 4.585" id 12T | 5 | 70-99 | 29530330 | 34305C |
| C35 | Friction .100" 9.100" od 80T | 3 | 70-99 | 23042199 | 11104 |
| C36 | Steel .098" 7.250" id 9T | 3 | 70-99 | 23045554 | 11105 |
| C37 | Friction .100" 9.100" od 80T | 3 | 70-99 | 23042199 | 11104 |
| C38 | Steel .098" 7.250" id 9T | 3 | 70-99 | 23045554 | 11105 |
| E39 | Friction .097" 8.150" od 60T | 7 | 70-99 | 23041097 | 11106 |
| E40 | Steel .098" 6.500" id 30T | 7 | 70-99 | 6831705 | 11107 |
| FILTERS | | | | | |
| K9 | Kit, filter (metal screen) | 1 | 70-99 | AE | FK11800 |
| K9 | Kit, filter (w/large filter) | 1 | 70-99 | AE | FK21800 |
| F42 | Filter (2nd type brass flat) | 1 | 70-99 | 6437741 | 34661S |
| F42 | Filter (large type) | 1 | 70-99 | 6883044 | 21800 |
| MODULATORS | | | | | |
| F43 | Modulator | 1 | 70-99 | 3039092 | 11820A |
| BUSHINGS | | | | | |
| A47 | Bushing (babbit) | 1 | 70-99 | 23018806 | 8005 |
| A47 | Bushing (bronze) | 1 | 70-99 | 6880917 | 11005 |
| A48 | Bushing (not in kit) | 2 | 70-99 | 6836272 | 34002 |
| C49 | Bushing | 1 | 70-99 | 23012990 | 11000 |
| D50 | Bushing (not in kit) | 2 | 70-99 | 6836272 | 34002 |
| D52 | Bushing | 1 | 70-99 | 6831689 | 11001 |
| E53 | Bushing | 1 | 70-99 | 8622947 | 11002 |
| | | | | | |
| | | | | | |
| | | | | | |
| | | | | | |

T-1256 Parts List

The Ultimate Engine Hanger



012-128 front leg (2)



012-127 2-link chain (3)



012-115 bottom bracket w/nut (2)



012-116 shock tower bracket (2)



012-120 s-hook (3)



012-118 j-hook (3)



012-019 shock tower adapter (2)



012-111 3" 1/2" thread bolt (2)



012-112 2" 1/2" thread bolt (2)



012-126 top support bracket (9)



012-125 lower front leg bracket (2)



012-124 thrust bearing (3)



012-121 wall hanger (1)



012-109 square poly plug (12)



012-110 1/2" flat washer (6)



012-123 front leg rubber pad (2)



012-114 1/2" jam nut (2)



012-108 wall hanger peg (7)



012-117 j-hook handle (3)



012-113 1/2" hex nut (2)



012-106 side cross bar (2)

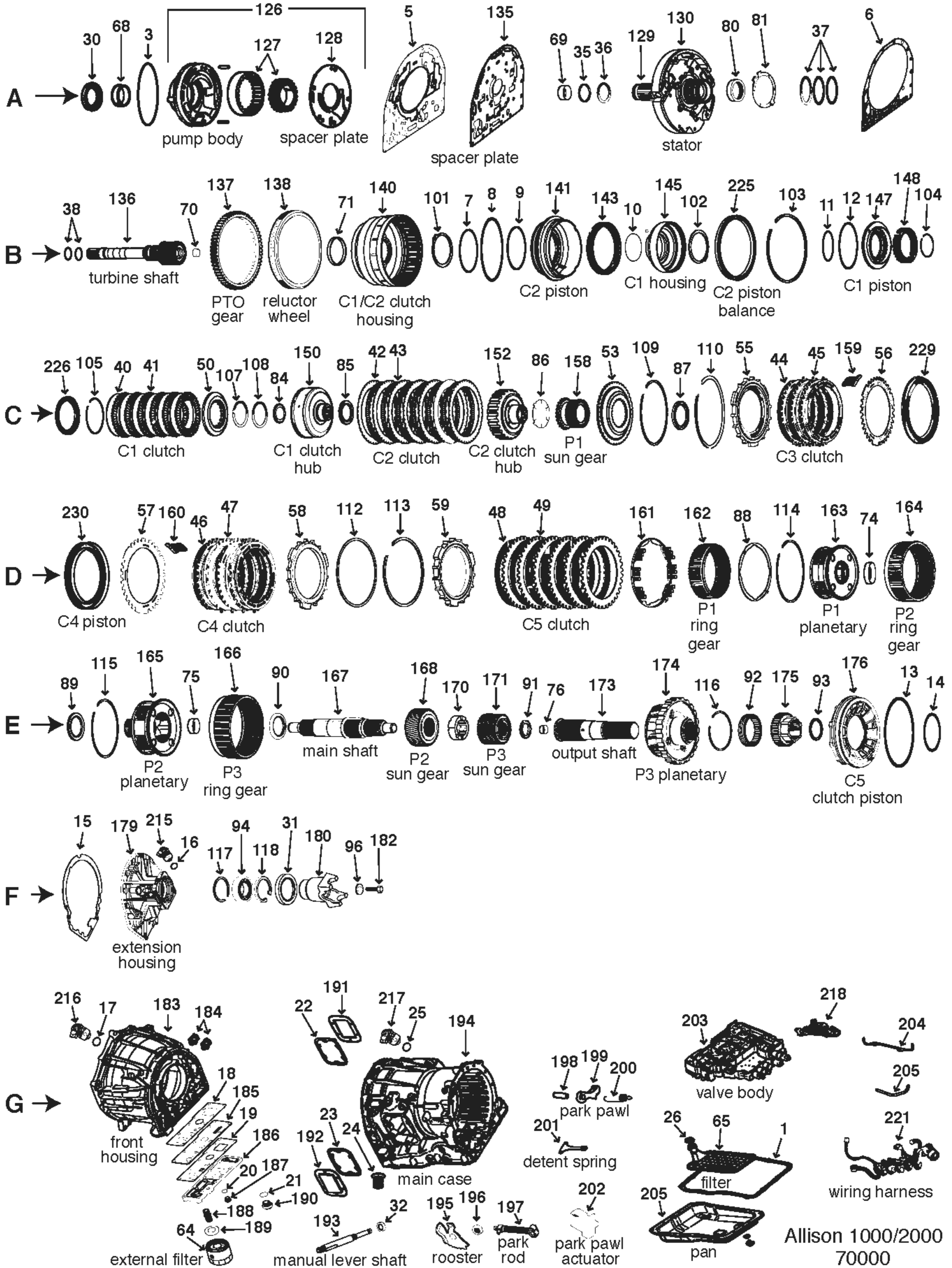


012-122 front leg handle (2)



012-107 cross bar (1)

all parts are sold separately



| ILL | DESCRIPTION | QTY | YEAR | REFERENCE # | PART # |
|--------------------------------------|---|-----|-------|--------------|------------|
| TECHNICAL MANUALS | | | | | |
| K53 | Tech manual Allison 1000 dis/assembly diagnosis/troubleshooting | 1 | 03-07 | n/a | 010-325 |
| REBUILDER KITS | | | | | |
| K4 | Master deluxe rebuild kit w/pistons | 1 | 00-05 | AE | K7000-R |
| K4 | Master deluxe rebuild kit w/o pistons | 1 | 00-05 | AE | K7000A-R |
| K4 | Master deluxe rebuild kit w/pistons | 1 | 06-10 | AE | K7000B-R |
| K4 | Master deluxe rebuild kit w/o pistons | 1 | 06-10 | AE | K7000C-R |
| K5 | Master kit w/steels w/pistons | 1 | 00-05 | AE | K7000 |
| K5 | Master kit w/steels w/o pistons | 1 | 00-05 | AE | K7000A |
| K5 | Master kit w/steels w/pistons | 1 | 06-10 | AE | K7000B |
| K5 | Master kit w/steels w/o pistons | 1 | 06-10 | AE | K7000C |
| K6 | Master kit w/o steels w/pistons | 1 | 00-05 | AE | K7000-LS |
| K6 | Master kit w/o steels w/o pistons | 1 | 00-05 | AE | K7000A-LS |
| k4 | Master kit w/o steels w/pistons | 1 | 06-10 | AE | K7000B-LS |
| K6 | Master kit w/o steels w/o pistons | 1 | 06-10 | AE | K7000C-LS |
| K7 | O/H gasket set w/seals-rings w/pistons | 1 | 00-05 | FDB2446 | K70900 |
| K7 | O/H gasket set w/seals-rings w/o pistons | 1 | 00-05 | FDB2485 | K70900A |
| K7 | O/H gasket set w/seals-rings w/pistons | 1 | 06-10 | FDB-2503 | K70900B |
| K7 | O/H gasket set w/seals-rings w/o pistons | 1 | 06-10 | FDB-2504 | K70900C |
| K11 | Kit, external seals/gaskets w/o pistons | 1 | 00-10 | AE | K70900-2 |
| K43 | Kit, bonded rubber pistons Allison 1000/2000 | 1 | 00-05 | AE | K70585 |
| K43 | Kit, bonded rubber pistons Allison 1000/2000 | 1 | 05-10 | AE | K70586 |
| VALVE BODY KITS | | | | | |
| K15 | Shift Kit® (6 speed) Allison 1000/2000 | 1 | 05-07 | n/a | K70908-JR |
| K15 | Shift Correction Package Allison 1000/2000 | 1 | 00-07 | n/a | S70908 |
| K15 | Shift Kit® (5 speed) standard/HD/racing/street performance | 1 | 00-04 | ALLISON-SK | Allison-SK |
| K15 | Kit, lockup boost increases lockup capacity for Allison 1000 | 1 | 01-03 | A1-LU-BST | K70910 |
| K15 | Kit, lockup boost increases lockup capacity for Allison 1000 | 1 | 04-07 | A1-LU-BST-04 | K70910A |
| GASKETS AND RUBBER COMPONENTS | | | | | |
| G1 | Gasket, oil pan Allison 1000 (molded rubber) | 1 | 00-10 | 29536526 | 14028R |
| A3 | O'ring pump body | 1 | 00-10 | 29537620 | 14089 |
| A5 | Gasket, front/bell housing to spacer plate Allison 1000/2000 | 1 | 00-10 | 29540130 | 14087 |
| A6 | Gasket, spacer plate to main case Allison 1000/2000 | 1 | 00-10 | 29536478 | 14081 |
| B7 | Lip seal C2 clutch (inner) | 1 | 00-10 | 29536101 | 14094 |
| B8 | Lip seal C2 clutch (large outer) | 1 | 00-10 | 29536102 | 14095 |
| B9 | Lip seal C2 clutch (small outer) | 1 | 00-10 | 29536103 | 14093 |
| B10 | O'ring C1 clutch housing | 1 | 00-10 | 29507437 | 14092 |
| B11 | Lip seal C1 clutch (inner) | 1 | 00-10 | 29536111 | 14091 |
| B12 | Lip seal C1 clutch (outer) | 1 | 00-10 | 29531293 | 14090 |
| E13 | Lip seal C5 clutch (outer) | 1 | 00-10 | 29534894 | 14097 |
| E14 | Lip seal C5 clutch (inner) | 1 | 00-10 | 29536858 | 14096 |
| F15 | Gasket, extension housing Allison 1000/2000 | 1 | 00-10 | 29536941 | 14088 |
| F16 | O'ring .970" input/output/turbine speed | 3 | 00-10 | 29534145 | 1025 |
| G20 | O'ring cooler manifold pressure plug (tap) | 10 | 00-10 | 29535578 | 14084 |
| G22 | Gasket, PTO cover Allison 1000/2000 | 2 | 00-10 | 29531325 | 23535A |
| G24 | Multi lip seal (boot) Allison 1000/2000 (filler tube boot) | 1 | 00-10 | n/a | 13925 |
| G26 | Seal, filter Allison 1000/2000 | 1 | 00-10 | 29535601 | 14098 |
| n/i | Gasket adapter to transfer case | 1 | 00-10 | n/a | 13589 |
| n/i | O'ring Allison 1000/2000 (case connector) | 1 | 00-10 | n/a | 1024 |
| n/i | Washer, pump bolt copper replacement | 2 | 00-10 | 10139097 | 14099 |
| METAL CLAD SEALS | | | | | |
| A30 | Seal, metal clad front | 1 | 00-10 | 29540309 | 70151 |
| F31 | Seal, metal clad rear (2WD/4WD) | 1 | 00-10 | 29536379 | 70155 |
| G32 | Seal, metal clad manual lever shaft | 1 | 00-10 | n/a | 38511 |

Allison 1000•2000•2400

Allison 1000•2000•2400

| ILL | DESCRIPTION | QTY | YEAR | REFERENCE # | PART # |
|-------------------------------------|--|-----|-------|-------------|----------|
| SEALING RINGS | | | | | |
| K10 | Kit, sealing ring (vespel) Allison 1000/2000 | 1 | 00-10 | 29536405 | K70903 |
| A35 | Ring,sealing (vespel) stator shaft (front) | 1 | 00-10 | 29531037 | 70300 |
| A36 | Ring, sealing (vespel) stator shaft (center) | 1 | 00-10 | 29531038 | 70302 |
| A37 | Ring, sealing (vespel) stator support to C1/C2 housing | 3 | 00-10 | 29531039 | 70303 |
| B38 | Ring,sealing (vespel) turbine shaft | 2 | 00-10 | 29531037 | 70300 |
| CLUTCH PLATES | | | | | |
| C40 | Steel .086" 4.473" od 34T (internal teeth) C1 clutch | 6 | 00-10 | 29530314 | 70105 |
| C41 | Friction .098" 3.230" id 36T (external T) C1 clutch | 6 | 00-10 | 29538468 | 70104 |
| C42 | Steel .086" 6.302" id 42T C2 clutch | 7 | 00-10 | 29530315 | 70101 |
| C42 | Steel .067" 6.302" id 42T C2 clutch | sel | 00-10 | n/a | 70101A |
| C43 | Friction .097" 7.500" od 24T C2 clutch | 6 | 00-10 | 29538469 | 70100 |
| C44 | Friction .097" 8.670" od 117T C3 clutch | 4 | 00-10 | 29531049 | 70102 |
| C45 | Steel .098" 7.111" id 27T C3 clutch | 3 | 00-10 | 29531048 | 70103 |
| D46 | Friction .097" 8.670" od 117T C4 clutch | 5 | 00-10 | 29531049 | 70102 |
| D47 | Steel .098" 7.111" id 27T C4 clutch | 4 | 00-10 | 29531048 | 70103 |
| D48 | Friction .098" 8.670" od 115T C5 clutch | 6 | 00-10 | 29537393 | 70106 |
| D49 | Steel .098" 7.108" id 36T C5 clutch | 5/6 | 00-10 | 29536482 | 70107 |
| D49 | Steel .078" 7.108" id 36T C5 clutch | sel | 00-10 | 29536481 | 70107A |
| D49 | Steel .118" 7.108" id 36T C5 clutch | sel | 00-10 | 29536483 | 70107B |
| PRESSURE PLATES | | | | | |
| C50 | Pressure plate 5.84-6.04mm 34T C1 clutch (internal teeth) | sel | 00-10 | 29538521 | 70717-R |
| C50 | Pressure plate 6.28-6.48mm 34T C1 clutch (internal teeth) | sel | 00-10 | 29538522 | 70717A-R |
| C50 | Pressure plate 6.73-6.93mm 34T C1 clutch (internal teeth) | sel | 00-10 | 29538523 | 70717B-R |
| C50 | Pressure plate 7.18-7.38mm 34T C1 clutch (internal teeth) | sel | 00-10 | 29538524 | 70717C-R |
| C50 | Pressure plate 7.63-7.83mm 34T C1 clutch (internal teeth) | sel | 00-10 | 29538525 | 70717D-R |
| C53 | Pressure plate 26T (internal) 42T C2 clutch/P1 drive flange (external teeth) | 1 | 00-10 | 29531094 | 70718-R |
| C55 | Pressure plate C3 clutch | 1 | 00-10 | 29535640 | 70721-R |
| C56 | Pressure plate (w/o 2.80mm slot) C3 clutch (apply)(use spring # 70935-R) | 1 | 00-03 | 29535637 | 70720-R |
| C56 | Pressure plate (w/ 2.80 mm slot) C3 clutch (apply)(use spring # 70935A-R) | 1 | 04-10 | 29542192 | 70720A-R |
| D57 | Pressure plate (w/o 2.80mm slot) C4 clutch (apply)(use spring # 70935-R) | 1 | 00-03 | 29535637 | 70720-R |
| D57 | Pressure plate (w/ 2.80 mm slot) C4 clutch (apply)(use spring # 70935A-R) | 1 | 04-10 | 29542192 | 70720A-R |
| D58 | Pressure plate C4 clutch (backing) | 1 | 00-10 | 29535639 | 70719-R |
| D59 | Pressure plate C5 clutch (backing) | 1 | 00-10 | 29531058 | 70722-R |
| FILTERS | | | | | |
| K9 | Kit, filter shallow pan Allison 1000/2000 | 1 | 00-10 | AE | FK70710 |
| K9 | Kit, filter deep pan Allison 1000/2000 | 1 | 00-10 | AE | FK70710A |
| F64 | Filter, spin-on (external) Allison 1000/2000 | 1 | 00-10 | 29539579 | 70711 |
| G65 | Filter, shallow pan Allison 1000/2000 | 1 | 00-10 | 29537965 | 70710 |
| G65 | Filter, deep pan Allison 1000/2000 | 1 | 00-10 | 29537966 | 70710A |
| BUSHINGS | | | | | |
| K12 | Kit, bushing Allison 1000/2000 | 1 | 00-10 | AE | K70901 |
| A68 | Bushing pump body | 1 | 00-10 | 29536703 | 70005 |
| A69 | Bushing 33.8mm id stator (front) | 1 | 00-10 | 29538159 | 70001 |
| B70 | Bushing (coated) turbine shaft (rear) | 1 | 00-10 | 29531005 | 70002 |
| B71 | Bushing C1/C2 housing | 1 | 00-10 | 29531072 | 70003 |
| D74 | Bushing P1 planetary | 1 | 00-10 | 29536123 | 70004 |
| E75 | Bushing 36mm id P2 planetary (rear) | 1 | 00-10 | 29531112 | 70006 |
| E76 | Bushing (coated) output shaft | 1 | 00-10 | 29531005 | 70002 |
| WASHERS/BEARINGS/RACES/SHIMS | | | | | |
| K14 | Kit, thrust bearing Allison 1000/2000 | 1 | 00-10 | n/a | K70906 |
| K13 | Kit, thrust washer Allison 1000/2000 | 1 | 00-10 | n/a | K70907 |
| A80 | Bearing, caged type stator (rear) | 1 | 00-10 | 29531013 | 70501 |
| A81 | Thrust washer (plastic) stator support to C1/C2 housing | 1 | 00-10 | 29531035 | 70400 |

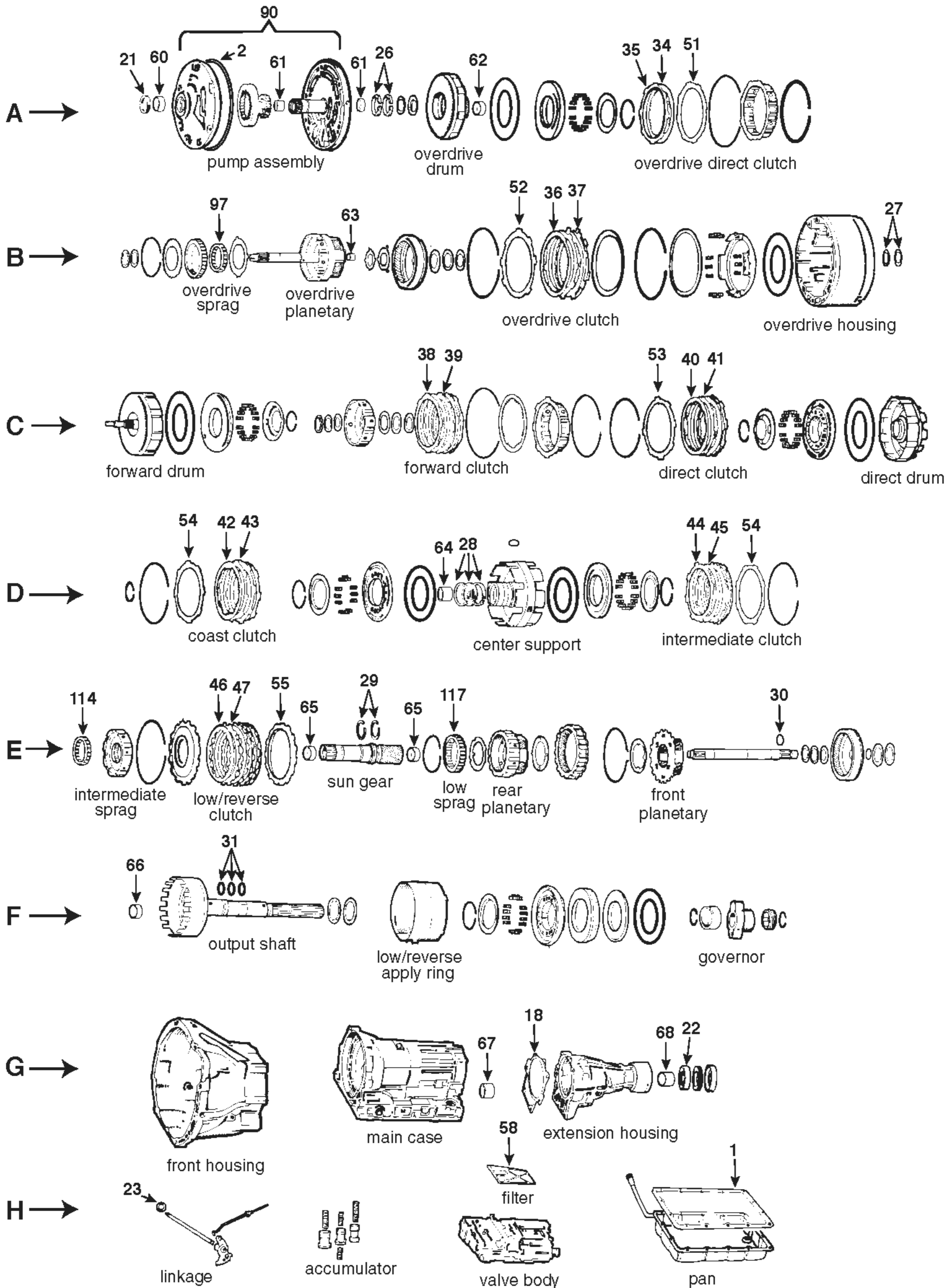
| ILL | DESCRIPTION | QTY | YEAR | REFERENCE # | PART # |
|---|---|-----|-------|-------------|----------|
| WASHERS/BEARINGS/RACES/SHIMS (CONTINUED) | | | | | |
| C84 | Bearing, thrust .147" 1.722" od | 1 | 00-04 | 29531089 | 70504 |
| C84 | Bearing, thrust .179" 2.120" od | 1 | 05-10 | 29549501 | 70504A |
| C85 | Bearing, thrust | 1 | 00-10 | 29531090 | 70505 |
| C86 | Thrust washer .060" (metal) 4 tabs | 1 | 00-01 | 29536475 | 70402 |
| C86 | TW .105" (metal) 4 short tabs .100"-.150" | 1 | 01-03 | 29536963 | 70402A |
| C86 | TW .105" (metal) 4 long tabs .160"-.245" | 1 | 00-10 | 29537515 | 70402B |
| C87 | Bearing, thrust 2.050" id 2.850" od | 1 | 00-10 | 29531095 | 70503 |
| D88 | Thrust washer (plastic) 2 tabs | 1 | 00-10 | 29536862 | 70401 |
| E89 | Bearing, thrust | 1 | 00-10 | 29531100 | 70507 |
| E90 | Bearing, thrust 2.050" id 2.850" od | 1 | 00-05 | 29531095 | 70503 |
| E90 | Bearing, thrust 1.890" id 2.820" od | 1 | 05-10 | 29541702 | 70503A |
| E91 | Bearing, thrust .147" 1.722" od | 1 | 00-02 | 29531089 | 70504 |
| E91 | Bearing, thrust .179" 2.120" od | 1 | 02-10 | 29549501 | 70504A |
| E92 | Bearing, caged type | 1 | 00-10 | 29531151 | 70509 |
| E93 | Shim .245-.295mm | ar | 00-10 | 29536850 | 70403 |
| E93 | Shim .475-.525mm | 1 | 00-10 | 29536851 | 70403A |
| E93 | Shim .705-.755mm | 1 | 00-10 | 295326852 | 70403B |
| E93 | Shim .935-.985mm | 1 | 00-10 | 29536853 | 70403C |
| E93 | Shim 1.185-1.215mm | 1 | 00-10 | 29536854 | 70403D |
| E93 | Shim 1.395-1.445mm | 1 | 00-10 | 29536855 | 70403E |
| E93 | Shim 1.625-1.675mm | 1 | 00-10 | 29536856 | 70403F |
| F94 | Bearing, ball type | 1 | 00-10 | 23047970 | 70510 |
| F96 | Washer | 1 | 00-10 | 29536848 | 70404 |
| SNAP RINGS | | | | | |
| B101 | Ring, snap (eyelet type) | 1 | 00-10 | 29536289 | 70607-R |
| B102 | Ring, snap (eyelet type) | 1 | 00-10 | 29536107 | 70601-R |
| B103 | Ring, snap | 1 | 00-05 | 29531079 | 70600-R |
| B104 | Ring, snap | 1 | 00-05 | 29531082 | 70605-R |
| C105 | Ring, snap | 1 | 00-05 | 29536204 | 70609-R |
| C105 | Ring, snap | 1 | 05-10 | 29541011 | 70609A-R |
| C107 | Ring, snap | 1 | 00-10 | 29536287 | 70604-R |
| C108 | Ring, snap (spiral type) | 1 | 00-10 | 29536288 | 70608-R |
| C109 | Ring, snap | 1 | 00-10 | 29531079 | 70600-R |
| C110 | Ring, snap | 1 | 00-10 | 29531054 | 70610-R |
| D112 | Ring, snap (spiral type) | 1 | 00-04 | 29545641 | 70602-R |
| D112 | Ring, snap | 1 | 05-10 | 29544119 | 70602A-R |
| D113 | Ring, snap | 1 | 00-10 | 29531054 | 70610-R |
| D114 | Ring, snap .060" | 1 | 00-10 | 29531104 | 70606-R |
| D114 | Ring, snap .110" | 1 | 05-10 | 29541011 | 70606A-R |
| E115 | Ring, snap .060" | 1 | 00-10 | 29531104 | 70606-R |
| E115 | Ring, snap .110" | 1 | 05-10 | 29541011 | 70606A-R |
| E116 | Ring, snap | 1 | 00-10 | 29531152 | 70612-R |
| F117 | Ring, snap | 1 | 00-10 | 29541534 | 70613-R |
| F118 | Ring, snap (eyelet type) | 1 | 00-10 | 29536981 | 70611-R |
| PUMP PARTS AND PUMPS | | | | | |
| A126 | Body, pump w/gears w/plate | 1 | 00-04 | 29539580 | 70200-R |
| A126 | Body, pump w/gears w/plate | 1 | 05-10 | 29542796 | 70200A-R |
| A127 | Gears, pump (31T inner gear) | 1 | 00-05 | n/a | K70201 |
| A127 | Gears, pump (22T inner gear) | 1 | 05-10 | n/a | K70201A |
| A128 | Plate, pump | 1 | 00-04 | 29539583 | 70202 |
| A128 | Plate, pump | 1 | 00-04 | 29539583 | 70202-R |
| A128 | Plate, pump | 1 | 05-10 | 29542799 | 70202A |
| A128 | Plate, pump | 1 | 05-10 | 29542799 | 70202A-R |

Allison 1000•2000•2400

Allison 1000•2000•2400

| ILL | DESCRIPTION | QTY | YEAR | REFERENCE # | PART # |
|---|--|-----|-------|-------------|----------|
| PUMP PARTS AND PUMPS (CONTINUED) | | | | | |
| A129 | Shaft, pump stator Allison 1000/2000 | 1 | 00-10 | 29531015 | 70208 |
| A130 | Stator, pump support Allison 1000/2000 | 1 | 00-04 | 29536679 | 70206-R |
| A130 | Stator, pump support Allison 1000/2000 | 1 | 05-10 | 29542793 | 70206A-R |
| HARD PARTS | | | | | |
| A135 | Plate, spacer gasket to stator | 1 | 00-04 | 29538445 | 70910-R |
| A135 | Plate, spacer gasket to stator | 1 | 04-10 | 29541148 | 70910A-R |
| B136 | Shaft, turbine (input) id 31.00mm w/o id groove | 1 | 00-04 | 29536213 | 70911-R |
| B136 | Shaft, turbine (input) id 35.40mm w/2 id grooves | 1 | 05-10 | 26539504 | 70911A-R |
| B140 | Housing, C1/C2 Allison 1000/2000 | 1 | 00-05 | 29543233 | 70913-R |
| B140 | Housing, C1/C2 Allison 1000/2000 | 1 | 05-10 | 29542700 | 70913A-R |
| B141 | Piston, C2 clutch Allison 1000/2000 | 1 | 00-05 | 29539653 | 70914-R |
| B141 | Piston, C2 clutch has pockets for springs | 1 | 05-10 | 29542807 | 70914A-R |
| B143 | Retainer, w/springs C2 clutch springs are retained top and bottom | 1 | 00-05 | 29536104 | 70916-R |
| B143 | Retainer, w/springs C2 clutch springs are retained top only | 1 | 05-10 | 29542810 | 70916A-R |
| B145 | Housing, C1 clutch w/bleed orifice no notches | 1 | 00-05 | 29537993 | 70918-R |
| B145 | Housing, C1 clutch w/o bleed orifice 4 notches | 1 | 05-10 | 29542811 | 70918A-R |
| B147 | Piston (springs sit on inside diameter) C1 clutch | 1 | 00-05 | 29536109 | 70920-R |
| B147 | Piston, C1 clutch springs sit on outside diameter | 1 | 05-10 | 29543239 | 70920A-R |
| B148 | Retainer, w/springs (missing 2 springs) C1 clutch | 1 | 00-10 | 29536198 | 70922-R |
| B148 | Retainer, w/springs C1 clutch no springs missing | 1 | 05-10 | 29542814 | 70922A-R |
| C150 | Hub, C1 clutch (no outside groove) flat inside surface | 1 | 00-04 | 29531295 | 70925-R |
| C150 | Hub, C1 clutch (with id groves on outside) ridge inside surface | 1 | 05-10 | 29539505 | 70925A-R |
| C152 | Hub, C2 clutch (has 4 9.00mm slots) 1st design (discontinued no longer made) | 1 | 00-01 | 29536566 | 70927-R |
| C152 | Hub, C2 clutch (has 4 13.80mm slots) Allison 1000/2000 (2nd design) | 1 | 00-10 | 29536962 | 70927A-R |
| C158 | Gear, P1 sun 1st design (discontinued no longer made) | 1 | 00-01 | 29531093 | 70929-R |
| C158 | Gear, P1 sun 1.10-1.30mm recess 8.30mm width (2nd design)(discontinued) | 1 | 01-03 | 29536964 | 70929A-R |
| C158 | Gear, P1 sun 1.10-1.30mm recess 7.20-7.50mm width (3rd design) | 1 | 00-10 | 29537433 | 70929B-R |
| C159 | Spring, return 7.30-8.20mm clip C3 clutch | 6 | 00-03 | 29531046 | 70935-R |
| C159 | Spring, return 11.71mm clip C3 clutch | 6 | 04-10 | 29542191 | 70935A-R |
| D160 | Spring, return 7.30-8.20mm clip C4 clutch | 6 | 00-03 | 29531046 | 70935-R |
| D160 | Spring, return 11.71mm clip C4 clutch | 6 | 04-10 | 29542191 | 70935A-R |
| D161 | Retainer w/springs C5 clutch Allison 1000/2000 | 1 | 00-10 | 29531134 | 70940-R |
| D162 | Gear, P1 ring 54.30-54.50mm oh | 1 | 00-05 | 29531055 | 70941-R |
| D162 | Gear, P1 ring 53.00-53.20mm oh | 1 | 05-10 | 2541008 | 70941A-R |
| D163 | Planetary, P1 Allison 1000/2000 | 1 | 00-05 | 29531249 | 70942-R |
| D163 | Planetary, P1 recessed inner rear | 1 | 05-10 | 29541705 | 70942A-R |
| D164 | Gear, P2 ring 58.90-59.10mm oh .075" snap ring groove | 1 | 00-05 | 29536863 | 70943-R |
| D164 | Gear, P2 ring 59.69-59.89mm oh .125" snap ring groove | 1 | 05-10 | 29541707 | 70943A-R |
| E165 | Planetary, P2 1.202" pinion oh 2 step recess (front next to shaft) | 1 | 00-05 | 29536961 | 70944-R |
| E165 | Planetary, P2 1.330" pinion oh 1 step recess (front next to shaft) | 1 | 05-10 | 29539509 | 70944A-R |
| E166 | Gear, P3 ring 2.405 oh .075" snap ring groove | 1 | 00-05 | 29537311 | 70945-R |
| E166 | Gear, P3 ring 2.455 oh .125" snap ring groove | 1 | 05-10 | 29539499 | 70945A-R |
| E167 | Shaft, main Allison 1000/2000 | 1 | 00-10 | 29536984 | 70946-R |
| E168 | Gear, P2 sun 1.630" oh discontinued no longer made | 1 | 00-05 | 29536960 | 70947-R |
| E168 | Gear, P2 sun 1.560" oh Allison 1000 | 1 | 05-10 | 29543208 | 70947A-R |
| E170 | Spacer, 51mm od 17mm oh w/o id groove between P2 and P3 sun gear (discontinued) | 1 | 00-05 | 29536128 | 70948-R |
| E170 | Spacer, 57mm od 20mm oh w/id groove between P2 and P3 sun gear | 1 | 05-10 | 29541728 | 70948A-R |
| E171 | Gear, P3 sun (w/o id groove on front side) 1000 series | 1 | 00-02 | 29531121 | 70949-R |
| E171 | Gear, P3 sun 3.080" od 1000 (w/id groove on front side center) | 1 | 02-05 | 29540499 | 70949A-R |
| E171 | Gear, P3 sun 3.030" od 1000 (w/id groove on teeth) | 1 | 05-10 | 29539498 | 70949B-R |
| E171 | Gear, P3 sun (w/o id groove on front side) 2000/2400 series use w/70504 bearing | 1 | 00-02 | 29531218 | 70949C-R |
| E171 | Gear, P3 sun (w/id groove on front side) 2000/2400 series use w/70504A bearing | 1 | 02-10 | 29539543 | 70949D-R |
| E173 | Shaft, output 4WD Allison 1000/2000 | 1 | 00-10 | 29531252 | 70950-R |

| ILL | DESCRIPTION | QTY | YEAR | REFERENCE # | PART # |
|-------------------------------|---|-----|-------|-------------|----------|
| HARD PARTS (CONTINUED) | | | | | |
| E173 | Shaft, output 2WD Allison 1000/2000 | 1 | 00-10 | 29536846 | 70951-R |
| E174 | Planetary, P3 1000 series with park gear | 1 | 00-02 | 29540500 | 70952-R |
| E174 | Planetary, P3 1000 series with park gear (w/3.080" od sun gear) | 1 | 02-05 | 29531124 | 70952A-R |
| E174 | Planetary, P3 (high helix gears) 1000 w/park gear (w/3.030 " od sun gear) | 1 | 05-10 | 29539511 | 70952B-R |
| E174 | Planetary, P3 2000/2400 series w/o park gear | 1 | 00-02 | 29531225 | 70952C-R |
| E174 | Planetary, P3 2000/2400 series w/o park gear | 1 | 02-10 | 29539547 | 70952D-R |
| E175 | Reluctor, tone wheel 6T Allison 1000/2000 | 1 | 00-10 | 29536591 | 70953-R |
| E176 | Piston, C5 clutch Allison 1000/2000 | 1 | 00-10 | 29536210 | 70955-R |
| F179 | Housing, adapter housing 4WD Allison 1000/2000 | 1 | 00-10 | 29542109 | 70998 |
| G193 | Shaft, manual lever (black-zinc coating) w/o IMS rooster held by nut | 1 | 00-05 | 29541356 | 70964-R |
| G193 | Shaft, manual lever (silver-zinc coating) w/IMS rooster held by screw | 1 | 05-10 | 29542696 | 70964A-R |
| G195 | Cone, rooster (casting # 29537169) replaces casting # 29531305 | 1 | 00-05 | 29537169 | 70965-R |
| G195 | Cone, rooster (casting # 29542692) w/internal mode switch (IMS) | 1 | 05-10 | 29542692 | 70965A-R |
| G199 | Pawl, park Allison 1000/2000 | 1 | 00-10 | 29540312 | 70962-R |
| G201 | Spring, detent roller casting # 6922 (replaces #7223) | 1 | 00-05 | 29536922 | 70963-R |
| G201 | Spring, detent roller w/long pin for (IMS) casting # 2689 | 1 | 05-10 | 29542698 | 70963A-R |
| n/i | Valve body spacer plate Allison 1000/2000 | 1 | 00-04 | 29537440 | 29537440 |
| n/i | Valve body spacer plate Allison 1000/2000 | 1 | 05-10 | 29539793 | 29539793 |
| n/i | Clip, cooler line retaining quick disconnect | 2 | 00-10 | AE | 70704 |
| ELECTRICAL COMPONENTS | | | | | |
| G195 | Cone, rooster (casting # 29542692) w/internal mode switch (IMS) | 1 | 05-10 | 29542692 | 70965A-R |
| F215 | Sensor engine/turbine/vehicle speed | 3 | 00-10 | 29536408 | 05-135 |
| G218 | Manifold, pressure switch Allison 1000/2000 | 1 | 00-10 | 29542585 | 15A-208 |
| G221 | Harness, wiring inter (w/o G solenoid con) w/o internal mode switch/IMS | 1 | 00-03 | 29541371 | 16A-123 |
| G221 | Harness, wiring internal (20 way) w/G solenoid conn w/o inter mode swth/IMS | 1 | 03-05 | 29539792 | 16A-123A |
| G221 | Harness, wiring internal (24 way conn) w/G solenoid conn w/inter mode switch/IMS | 1 | 05-10 | 29543334 | 16A-123B |
| G221 | Harness, wiring internal (20 way conn) w/G solenoid conn w/inter mode switch/IMS | 1 | 05-10 | 29543336 | 16A-123C |
| n/i | Solenoid (PWM) lock-up/TCC (F trim) | 1 | 00-05 | 8683187 | 5A-393 |
| n/i | Solenoid C/D/E shift | 3 | 00-10 | 29536833 | 5A-392A |
| n/i | Solenoid main mod (4th generation) | 1 | 04-10 | 29536833 | 5A-392A |
| n/i | Solenoid (red) lock-up/TCC/VBS (4th generation) | 1 | 05-10 | 29541898 | 5A-786 |
| n/i | Solenoid (brown) Allison 3000/4000 (VBS)(4th generation) | 1 | 05-10 | 29544297 | 5A-786A |
| n/i | Solenoid .665" od B trim | 1 | 00-05 | 29533075 | 5A-787 |
| n/i | Solenoid .645" od A trim | 1 | 00-05 | 29533074 | 5A-788 |
| n/i | Solenoid (OENL) natural PCS1 (4th generation) | 1 | 05-10 | 29541895 | 5A-789 |
| n/i | Solenoid (OENH) black PCS2 (4th generation) | 1 | 05-10 | 29541896 | 5A-790 |
| n/i | Switch, PRNDL/MPLS (NSUB switch) 4 and 7 pin connectors (NSUB switch) | 1 | 00-03 | 29540479 | 5A-98 |
| n/i | Switch, PRNDL/MPLS (NSBU switch) 1 connector | 1 | 00-02 | 29540193 | 05-132 |
| n/i | Switch, PRNDL/MPLS (NSBU switch) 1 connector | 1 | 03-10 | 29541852 | 05-133 |
| BONDED PISTONS | | | | | |
| K43 | Kit, bonded rubber pistons Allison 1000/2000 | 1 | 00-05 | AE | K70585 |
| K43 | Kit, bonded rubber pistons Allison 1000/2000 | 1 | 05-10 | AE | K70586 |
| B225 | Piston, bonded rubber balance (C2 clutch) | 1 | 00-05 | 29536105 | 70530 |
| C226 | Piston, bonded rubber balance (C1 clutch) | 1 | 00-05 | 29536203 | 70532 |
| C226 | Piston, bonded rubber 160.80-161.10mm od C1 clutch (balance) | 1 | 05-10 | 26542815 | 70532A |
| C229 | Piston, bonded rubber C3 clutch | 1 | 00-10 | 29543321 | 70536 |
| C230 | Piston, bonded rubber C4 clutch | 1 | 00-10 | 29543321 | 70536 |
| NOTES | | | | | |
| | | | | | |
| | | | | | |
| | | | | | |
| | | | | | |
| | | | | | |



A40/A41/A42/AW70/A44D/AW71/A44DL/A44DE/A46DE

46000/A/D/E/F/G/J/K

A40•A41•A42•AW70•AW71•A44D•A44DL•A44DE•A46DE

| ILL | DESCRIPTION | QTY | YEAR | REFERENCE # | PART # |
|--------------------------------------|---|-----|-------|---------------|-----------|
| TECHNICAL MANUALS | | | | | |
| K53 | Tech manual A40 series dis/assembly diagnosis/troubleshooting | 1 | 72-06 | 83-TOY40TM | 010-401 |
| REBUILDER KITS | | | | | |
| K5 | Master kit w/steels-3 speed | 1 | 73-86 | AE | K4600 |
| K5 | Master kit w/steels-3 speed | 1 | 74-84 | AE | K4600A |
| K5 | Master kit w/steels-4 speed | 1 | 77-85 | AE | K4600D |
| K5 | Master kit w/steels-4 speed | 1 | 81-87 | AE | K4600E |
| K5 | Master kit w/steels-4 speed | 1 | 88-94 | AE | K4600F |
| K5 | Master kit w/steels-4 speed | 1 | 95-06 | AE | K4600G |
| K5 | Master kit w/steels-4 speed | 1 | 82-06 | AE | K4600J |
| K5 | Master kit w/steels-4 speed | 1 | 91-06 | AE | K4600K |
| K6 | Master kit w/o steels-3 speed | 1 | 72-86 | AE | K4600-LS |
| K6 | Master kit w/o steels-3 speed | 1 | 74-84 | AE | K4600A-LS |
| K6 | Master kit w/o steels-4 speed | 1 | 77-85 | AE | K4600D-LS |
| K6 | Master kit w/o steels-4 speed | 1 | 81-87 | AE | K4600E-LS |
| K6 | Master kit w/o steels-4 speed | 1 | 88-94 | AE | K4600F-LS |
| K6 | Master kit w/o steels-4 speed | 1 | 95-06 | AE | K4600G-LS |
| K6 | Master kit w/o steels-4 speed | 1 | 82-06 | AE | K4600J-LS |
| K6 | Master kit w/o steels-4 speed | 1 | 91-06 | AE | K4600K-LS |
| K7 | O/H gasket set w/seals-rings-3 speed | 1 | 72-86 | AE | K46900 |
| K7 | O/H gasket set w/seals-rings-3 speed | 1 | 74-84 | AE | K46900A |
| K7 | O/H gasket set w/seals-rings-4 speed | 1 | 77-06 | AE | K46900D |
| K7 | O/H gasket set w/seals-rings-4 speed | 1 | 82-06 | AE | K46900F |
| K11 | Gasket and seal kit-3 speed | 1 | 72-86 | AE | K46900C-1 |
| K11 | Gasket and seal kit-3 speed | 1 | 74-84 | AE | K46900A-1 |
| K11 | Gasket and seal kit-4 speed | 1 | 82-06 | AE | K46900F-1 |
| GASKETS AND RUBBER COMPONENTS | | | | | |
| H1 | Gasket, oil pan | 1 | 72-06 | 35168-22011 | 13400X |
| H1 | Gasket, oil pan | 1 | 72-06 | 35168-22011F | 13400D |
| A2 | D'ring | 1 | 72-79 | 35147-22010 | 13401 |
| A2 | O'ring | 1 | 79-06 | 90301-99010 | 13401A |
| G18 | Gasket, extension housing | 1 | 72-06 | 35182-22010 | 13402 |
| n/i | Gasket, filter | 1 | 72-06 | 045-504-5007 | 13407 |
| n/i | Gasket, filter | 1 | 77-85 | 35339-30030 | 13407A |
| n/i | Gasket, filter | 1 | 79-06 | 35339-30050 | 13407D |
| n/i | Gasket, filter | 1 | 83-06 | 35339-30060 | 13407C |
| n/i | Gasket, filter | 1 | 81-06 | 35339-14010 | 13407B |
| n/i | O'ring | 1 | 72-06 | 90301-18018 | 3547L |
| n/i | O'ring | 2 | 72-06 | 90301-09173 | 13103 |
| n/i | O'ring | 1 | 77-06 | 90301-99006 | 13408 |
| n/i | Gasket set, valve body | 1 | 79-06 | n/a | 13421 |
| n/i | Gasket set, valve body | 1 | 77-85 | n/a | 13422 |
| n/i | Gasket set, valve body | 1 | 81-06 | n/a | 13423 |
| n/i | Gasket set, valve body | 1 | 83-06 | n/a | 13424 |
| METAL CLAD SEALS | | | | | |
| A21 | Seal, metal clad | 1 | 72-06 | 90311-38020 | 46200 |
| G22 | Seal, metal clad | 1 | 72-06 | 90311-38040 | 42201A |
| G22 | Seal, metal clad 1.950" od (not in kit) | 1 | 74-93 | 235728-3 | 47201A |
| G22 | Seal, metal clad 2.170" od (not in kit) | 1 | 94-97 | 3549226-3 | 46201 |
| G22 | Seal, metal clad (not in kit) | 1 | 81-85 | 5-09625-009-0 | 46204 |
| G22 | Seal, metal clad (not in kit) | 1 | 86-95 | 8-94155-673-0 | 46205 |
| G22 | Seal, metal clad | 1 | 87-89 | MD951482 | 46206 |
| G22 | Seal, metal clad (not in kit) | 1 | 98-06 | BV8B-17-355 | 46207 |
| H23 | Seal, metal clad 12x22x7mm | 2 | 73-06 | 90311-11128 | 46202 |

A40•41•42•AW70•71•A44D•DL•DE•A46DE

A40•A41•A42•AW70•AW71•A44D•A44DL•A44DE•A46DE

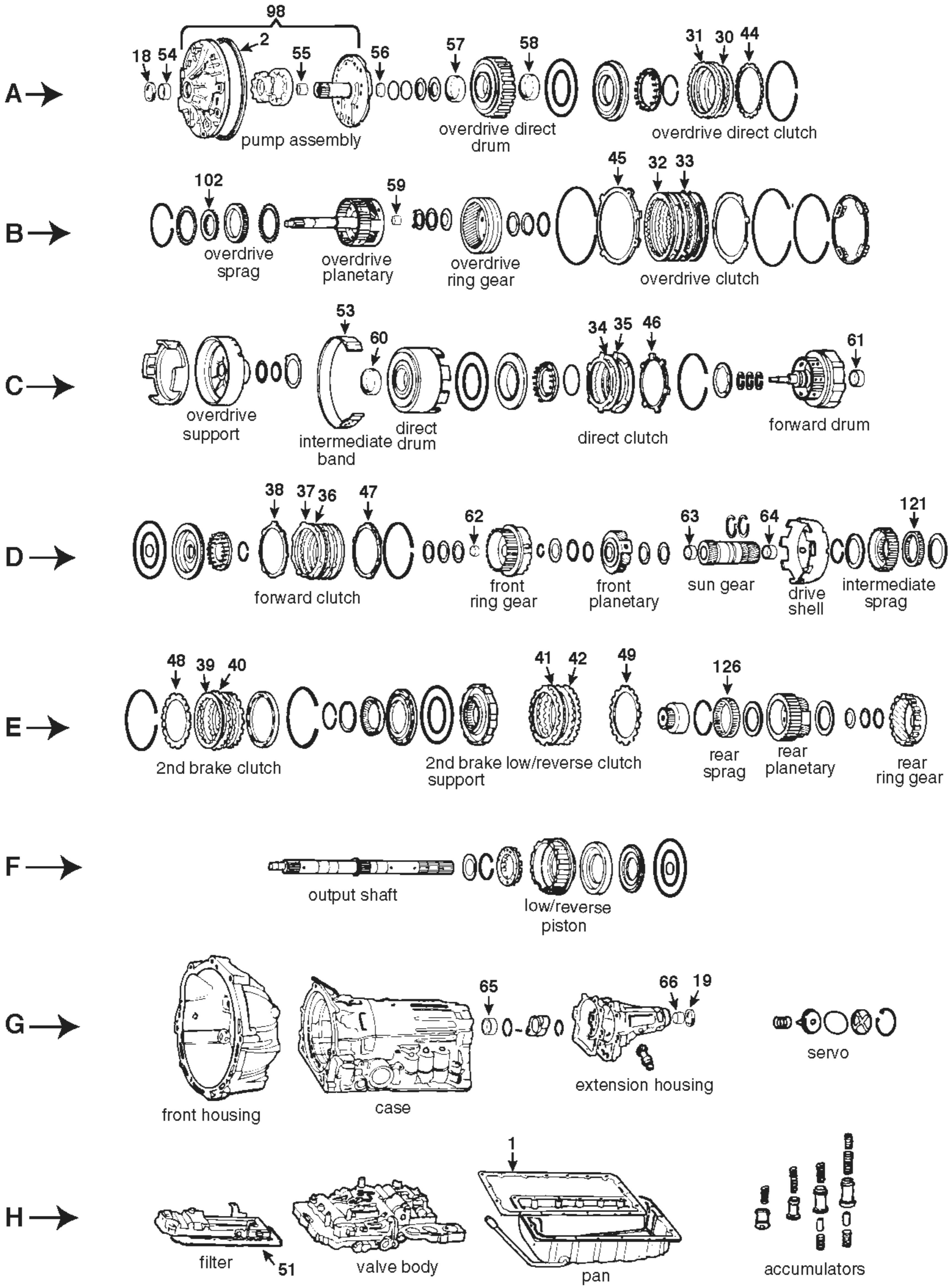
A40•A41•A42•AW70•AW71•A44D•A44DL•A44DE•A46DE

| ILL | DESCRIPTION | QTY | YEAR | REFERENCE # | PART # | |
|-------------------------------------|---|--|------|-------------|----------------|---------|
| METAL CLAD SEALS (CONTINUED) | | | | | | |
| n/i | Seal, metal clad | 4WD (adapter housing) | 1 | 87-89 | MD609235 | 46208 |
| n/i | Seal, metal clad (not in kit) | Suzuki sidekick 4WD (adapter housing) | 1 | 87-89 | 29792-57B01 | 46209 |
| n/i | Seal, metal clad | Toyota (speedo gear shat) | 1 | 79-04 | 90310-09001 | 46203 |
| n/i | Seal, metal clad | Volvo (speedo gear shaft) | 1 | 74-97 | 380192-5 | 46210 |
| SEALING RINGS | | | | | | |
| K10 | Kit, sealing ring | 3 speed (except below) | 1 | 73-86 | AE | K46300 |
| K10 | Kit, sealing ring | BW55 | 1 | 74-84 | AE | K46300A |
| K10 | Kit, sealing ring-combo early and late | 4 speed | 1 | 77-06 | AE | K46300B |
| K10 | Kit, sealing ring | 4 speed | 1 | 82-06 | AE | K46300D |
| A26 | Ring, sealing | 3 speed (stator support) | 2 | 73-81 | 35617-22010 | 46300 |
| A26 | Ring, sealing | 4 speed (stator support) | 2 | 77-81 | 35617-22020 | 46301 |
| A26 | Ring, sealing (metal) | all (stator support) | 2 | 82-06 | 35617-16010 | 62301 |
| B27 | Ring, sealing | 4 speed (overdrive housing) | 2 | 77-81 | 35617-22020 | 46301 |
| B27 | Ring, sealing (metal) | all (overdrive housing) | 2 | 81-06 | 35617-16010 | 62301 |
| D28 | Ring, sealing | 4 speed (center support) | 3 | 73-81 | 35617-22020 | 46301 |
| D28 | Ring, sealing (metal) | all (center support) | 3 | 82-06 | 35617-16010 | 62301 |
| E29 | Ring, sealing | BW55 (sun gear shaft) | 2 | 74-84 | 0445-016-002A | 46304 |
| E29 | Ring, sealing (hook joint) | inside rear cl retainer (sun gear shaft) | 2 | 73-06 | 35749-22010 | 2823K |
| E29 | Ring, sealing | all A43 and A46 series (sun gear shaft) | 2 | 81-06 | 35749-30010 | 46305 |
| E30 | Ring, sealing (not in kit) | 4 speed (intermediate shaft) | 1 | 77-06 | 35748-30010 | 46306T |
| F31 | Ring, sealing | output shaft/governor | 3 | 73-06 | 35735-22010 | 46302 |
| CLUTCH PLATES | | | | | | |
| A34 | Friction .091" 5.0" id 24T | overdrive direct | 1/2 | 77-06 | 35677-22030 | 46100 |
| A35 | Steel .071" 4.0" id 8T (short) | overdrive direct | 2/3 | 77-79 | 35634-22070 | 46101 |
| A35 | Steel .079" 4.0" id 8T (short) | overdrive direct | 2/3 | 80-06 | 35634-30070 | 46101A |
| A35 | Steel, dished (not in kit) | A46DE (overdrive direct) | 1 | 91-06 | 34618-30010 | 46117 |
| B36 | Friction .091" 5.0" id 24T | A40D/A42D/AW70 (overdrive brake) | 2/3 | 77-06 | 35677-22020 | 46100 |
| B36 | Friction .091" 5.590" od 44T | overdrive brake (except above) | 3 | 81-83 | 35677-30010 | 46105 |
| B36 | Friction .067" 5.590" od 33T (thin paper) | overdrive brake (except above) | 3 | 84-06 | 35677-30040 | 75102 |
| B37 | Steel .071" 4.0" id 8T (long) | A40D/A42D/AW70 | 2/3 | 77-06 | 35634-22090 | 46102 |
| B37 | Steel .079" 4.6" id 7T | overdrive brake (except above) | 3 | 81-06 | 35634-30080 | 46107A |
| B37 | Steel .091" 4.6" id 7T | overdrive brake | ar | 81-06 | 35634-30010 | 46107B |
| C38 | Friction .091" 5.0" id 24T | forward (front) | 3/4 | 73-06 | 35677-30030 | 46100 |
| C38 | Friction .079" 5.0" od 24T | A46DE/A43D (forward front) | 4/5 | 91-06 | 35677-22060 | 46100A |
| C39 | Steel .071" 4.0" id 8T (short) | forward (front)(except below) | 3/4 | 73-06 | 35634-22070 | 46101 |
| C39 | Steel .079" 4.0" id 8T (short) | A46DE (forward front) | 3/4 | 80-06 | 35634-30070 | 46101A |
| C39 | Steel .055" 4.0" id 8T (short) | Prevla A46DE (forward front) | 1 | 91-06 | 35634-30090 | 46113 |
| C39 | Steel .091" 4.0" id 8T (short) | A46DE (forward front) | ar | 91-06 | 35634-30120 | 46114 |
| C40 | Friction .091" 5.0" id 24T | direct (rear) | 2/3 | 73-06 | 35677-30020/30 | 46100 |
| C41 | Steel .071" 4.0" id 8T (short) | direct (rear) | 2/3 | 73-06 | 35634-22070 | 46101 |
| C41 | Steel .079" 4.0" id 8T (short) | direct (rear) | ar | 80-06 | 35634-30070 | 46101A |
| D42 | Friction .091" 5.0" id 24T | overrun brake (B1) | 1/3 | 73-06 | 35677-30030 | 46100 |
| D43 | Steel .071" 4.0" id 8T (long) | A40D/A42D/AW70 (overrun brake B1) | 1/3 | 73-06 | 35634-22090 | 46102 |
| D43 | Steel .079" 4.0" id 8T (long) | overrun brake (B1) | ar | 80-06 | 35648-30010 | 46112 |
| D44 | Friction .091" 5.0" id 24T | intermediate brake (B2) | 2/3 | 73-06 | 35677-22050 | 46100 |
| D44 | Friction .079" 5.0" od 24T | intermediate brake (B2) | 2/3 | 91-06 | 35677-22060 | 46100A |
| D45 | Steel .071" 4.0" id 8T (long) | intermediate brake (B2) | 2/4 | 73-87 | 35634-22090 | 46102 |
| D45 | Steel .091" 4.0" id 8T (long) | intermediate brake (B2) | 3 | 88-06 | 35648-30020 | 46101C |
| D45 | Steel .079" 4.0" id 8T (long) | intermediate brake (B2) | ar | 80-06 | 35648-30010 | 46112 |
| D45 | Steel .118" 4.0" id 8T (long) | intermediate brake (B2) | ar | 80-06 | 35648-22010 | 46108 |
| E46 | Friction .091" 5.0" id 16T | low/reverse brake (B3) | 4/5 | 73-06 | 35633-30030 | 46103 |
| E47 | Steel .071" 4.0" id 15T | low/reverse brake (B3) | 4/5 | 73-06 | 35634-22080 | 46104 |

A40•A41•A42•AW70•AW71•A44D•A44DL•A44DE•A46DE

A40•41•42•AW70•71•A44D•DL•DE•A46DE

| ILL | DESCRIPTION | | QTY | YEAR | REFERENCE # | PART # |
|-----------------------------|-----------------------------------|--|-----|-------|-------------|----------|
| PRESSURE PLATES | | | | | | |
| A51 | Pressure plate .100" 8T (short) | overdrive brake | 1 | 77-06 | 35615-30010 | 46717-R |
| B52 | Pressure plate 8T (long) | overdrive brake | sel | 77-06 | 34625-30020 | 46718-R |
| B52 | Pressure plate 7T | overdrive brake | 1 | 81-06 | 34625-22010 | 46719-R |
| C53 | Pressure plate .155" 8T (short) | short direct clutch | 1 | 73-06 | 35675-22140 | 46716-R |
| D54 | Pressure plate 8T (long) | overrun and intermediate clutch | 1/2 | 73-06 | 35625-22010 | 46714-R |
| E55 | Pressure plate 15T | low/reverse brake | 1 | 73-06 | 35639-22010 | 46715-R |
| FILTERS | | | | | | |
| K9 | Kit, filter | all 3 speed (neoprene/cork) | 1 | 73-86 | AE | FK46800 |
| K9 | Kit, filter | all 3 speed (Duraprene®) | 1 | 73-86 | AE | DK46800 |
| K9 | Kit, filter | A40D (neoprene/cork) | 1 | 77-85 | AE | FK46800A |
| K9 | Kit, filter | A40D (Duraprene®) | 1 | 77-85 | AE | DK46800A |
| K9 | Kit, filter | A42D/A43D/A44D/AW70/AW71 (neoprene/cork) | 1 | 79-06 | AE | FK46800D |
| K9 | Kit, filter | A42D/A43D/A44D/AW70/AW71 (Duraprene®) | 1 | 79-06 | AE | DK46800D |
| K9 | Kit, filter | all DL models (neoprene/cork) | 1 | 81-06 | AE | FK46800B |
| K9 | Kit, filter | all DL models (Duraprene®) | 1 | 81-06 | AE | DK46800B |
| K9 | Kit, filter | all DE models (neoprene/cork) | 1 | 83-06 | AE | FK46800C |
| K9 | Kit, filter | all DE models (Duraprene®) | 1 | 83-06 | AE | DK46800C |
| H58 | Filter | all 3 speed | 1 | 73-86 | 35303-22020 | 46800 |
| H58 | Filter | A40D | 1 | 77-85 | 35303-30031 | 46800A |
| H58 | Filter | A42D/A43D/A44D/AW70/AW71 | 1 | 79-06 | 35303-30050 | 46800D |
| H58 | Filter | all DL/DF models | 1 | 81-06 | 35303-14010 | 46800B |
| H58 | Filter | all DE models | 1 | 83-06 | 35303-30060 | 46800C |
| BUSHINGS | | | | | | |
| K13 | Kit, bushing complete | A40/A40D (9 pieces) | 1 | 73-06 | AE | K46901 |
| A60 | Bushing | pump body | 1 | 73-06 | n/a | 46001 |
| A61 | Bushing 21.501mm bore 9.5mm | stator support (front/rear) | 2 | 73-06 | n/a | 46007 |
| A61 | Bushing 17mm 21.561mm bore | stator support (front/rear) (not in kit) | 2 | 80-06 | n/a | 46007A |
| A62 | Bushing 25.38mm bore (not in kit) | 40D/42/43 overdrive sun gear | 1 | 77-06 | n/a | 46010 |
| B63 | Bushing 11.2mm bore (not in kit) | A40D/42/43 overdrive input shaft | 1 | 77-06 | n/a | 46011 |
| D64 | Bushing 36.386mm bore | center support | 1 | 73-06 | n/a | 46004 |
| E65 | Bushing 21.501mm bore 9.5mm | sun gear shaft front and rear | 2 | 73-06 | n/a | 46007 |
| F66 | Bushing 18.011mm bore 9.7mm | output shaft | 1 | 73-06 | n/a | 46005 |
| G67 | Bushing (babbitt) 38.113mm bore | case (rear) | 1 | 73-06 | n/a | 12502 |
| G68 | Bushing w/38mm yoke | extension housing (Toyota only) | 1 | 73-06 | n/a | 46006 |
| G68 | Bushing w/35mm yoke (not in kit) | extension housing (Toyota only) | 1 | 73-06 | n/a | 46006A |
| G68 | Bushing 1 5/16" od | Volvo/Datsun extension housing | 1 | 73-06 | 235878-6 | 19002X |
| PUMP PARTS AND PUMPS | | | | | | |
| A90 | Complete, pump | A40 3 speed | 1 | 73-86 | n/a | 46424-R |
| HARD PARTS | | | | | | |
| n/i | Cable repair end | fixes bottom end of most cables | 1 | 73-06 | AE | 96-198 |
| SPRAGS | | | | | | |
| B97 | Sprag (18 elements) | overdrive | 1 | 77-89 | 35791-30020 | 46502 |
| B97 | Sprag (20 elements) | overdrive | 1 | 90-06 | 35791-30030 | 46502A |
| B97 | Sprag (22 elements) | overdrive | 1 | 89-06 | 35791-28010 | 46502B |
| E114 | Sprag (18 elements) | intermediate | 1 | 73-06 | 35791-30020 | 46502 |
| E117 | Sprag (20 elements) | low | 1 | 73-86 | 35792-20010 | 46503 |
| E117 | Sprag (26 elements) .318" | low (all except below) | 1 | 81-06 | 35792-30011 | 46503B |
| E117 | Sprag (26 elements) .402" | A44/A45 series (low) | 1 | 84-06 | 35792-30030 | 46503C |
| NOTES | | | | | | |
| | | | | | | |
| | | | | | | |
| | | | | | | |
| | | | | | | |



A340•A341E•A343E•A350•AW4•AW30-40LE
54000/J/X/W

| ILL | DESCRIPTION | | QTY | YEAR | REFERENCE # | PART # |
|--------------------------|-------------------------------------|--|-----|-------|-------------|-----------|
| TECHNICAL MANUALS | | | | | | |
| K53 | Tech manual A340E Trooper/Rodeo | dis/assembly (diagnosis/troubleshooting) | 1 | 85-10 | 83-3080LETM | 010-410 |
| K53 | Tech manual A340H/A55 transfer case | dis/assembly (diagnosis/troubleshooting) | 1 | 85-92 | 83-34055TM | 010-705 |
| REBUILDER KITS | | | | | | |
| K5 | Master kit w/steels | All pickups/4 Runner/Trooper | 1 | 85-92 | AE | K5400 |
| K5 | Master kit w/steels | Cresida/Supra (w/o turbo) | 1 | 85-92 | AE | K5400A |
| K5 | Master kit w/steels | Pickup/4 Runner (with L/4) | 1 | 93-95 | AE | K5400B |
| K5 | Master kit w/steels | PU/4 Runner/T100 (with V/6) | 1 | 93-95 | AE | K5400C |
| K5 | Master kit w/steels | SC 300 | 1 | 92-95 | AE | K5400C |
| K5 | Master kit w/steels | Supra w/o turbo | 1 | 93-98 | AE | K5400C |
| K5 | Master kit w/steels | Previa 2WD | 1 | 93-97 | AE | K5400C |
| K5 | Master kit w/steels | Montero (wth V/6 3.0)L | 1 | 94-95 | AE | K5400E |
| K5 | Master kit w/steels | T100/Tacoma (with L/4) | 1 | 95-99 | AE | K5400F |
| K5 | Master kit w/steels | 4 Runner (with L/4) | 1 | 96-04 | AE | K5400F |
| K5 | Master kit w/steels | Montero Sport (with V/6 3.0L) | 1 | 97-98 | AE | K5400F |
| K5 | Master kit w/steels | SC 300 | 1 | 96-99 | AE | K5400G |
| K5 | Master kit w/steels | Supra w/turbo | 1 | 86-92 | AE | K5400H |
| K5 | Master kit w/steels | Previa AWD/Montero (with V/6 3.5L) | 1 | 93-95 | AE | K5400J |
| K5 | Master kit w/steels | T100/Tacoma (with V/6) | 1 | 95-99 | AE | K5400K |
| K5 | Master kit w/steels | 4 Runner (with V/6) | 1 | 96-04 | AE | K5400K |
| K5 | Master kit w/steels | Montero with V/6 3.5L | 1 | 96-98 | AE | K5400K |
| K5 | Master kit w/steels | Supra w/turbo/LS 400/SC 400 | 1 | 93-98 | AE | K5400L |
| K5 | Master kit w/steels | LS 400 SC 400/GS 300 | 1 | 90-94 | AE | K5400M |
| K5 | Master kit w/steels | GS 300 | 1 | 93-94 | AE | K5400N |
| K5 | Master kit w/steels | GS 300 | 1 | 95-95 | AE | K5400P |
| K5 | Master kit w/steels | Volvo | 1 | 92-98 | AE | K5400R |
| K5 | Master kit w/steels | Tacoma Regular Cab (A340/343E) | 1 | 00-10 | AE | K5400Y |
| K5 | Master kit w/steels | LX 450/LX 470/Land Cruiser (A343F) | 1 | 95-99 | AE | K5400W |
| K5 | Master kit w/steels | A350E (GS 300) | 1 | 96-97 | AE | K5400X |
| K5 | Master kit w/steels | transfer case only | 1 | 85-91 | AE | K5400T |
| K6 | Master kit w/o steels | PU/Runner | 1 | 85-95 | AE | K5400-LS |
| K6 | Master kit w/o steels | Cresida/Supra w/o turbo | 1 | 85-98 | AE | K5400-LS |
| K6 | Master kit w/o steels | Trooper | 1 | 88-91 | AE | K5400-LS |
| K6 | Master kit w/o steels | SC 300 | 1 | 92-95 | AE | K5400-LS |
| K6 | Master kit w/o steels | T100 | 1 | 93-95 | AE | K5400-LS |
| K6 | Master kit w/o steels | Previa 2WD | 1 | 93-97 | AE | K5400-LS |
| K6 | Master kit w/o steels | Montero/Sport (with V/6 3.0L) | 1 | 94-98 | AE | K5400D-LS |
| K6 | Master kit w/o steels | T100/Tacoma/4 runner | 1 | 96-04 | AE | K5400D-LS |
| K6 | Master kit w/o steels | SC 300 | 1 | 96-00 | AE | K5400D-LS |
| K6 | Master kit w/o steels | Supra w/turbo | 1 | 86-92 | AE | K5400H-LS |
| K6 | Master kit w/o steels | Previa AWD | 1 | 93-95 | AE | K5400H-LS |
| K6 | Master kit w/o steels | Montero (with V/6 3.5L) | 1 | 94-98 | AE | K5400H-LS |
| K6 | Master kit w/o steels | T100/Tacoma/4 Runner (with V/6) | 1 | 95-04 | AE | K5400H-LS |
| K6 | Master kit w/o steels | LS 400/SC 400 | 1 | 90-97 | AE | K5400L-LS |
| K6 | Master kit w/o steels | GS300 | 1 | 93-95 | AE | K5400L-LS |
| K6 | Master kit w/o steels | Supra w/turbo | 1 | 93-98 | AE | K5400L-LS |
| K6 | Master kit w/o steels | GS 300 | 1 | 93-95 | AE | K5400L-LS |
| K6 | Master kit w/o steels | Volvo | 1 | 92-98 | AE | K5400L-LS |
| K6 | Master kit w/o steels | LX 450/LX 470/Land Cruiser (A343F) | 1 | 95-99 | AE | K5400W-LS |
| K6 | Master kit w/o steels | GS 300 (A350E) | 1 | 96-97 | AE | K5400X-LS |
| K6 | Master kit w/o steels | Tacoma Regular Cab (A340/343E) | 1 | 00-10 | AE | K5400Y-LS |
| K6 | Master kit w/o steels | transfer case only | 1 | 85-94 | AE | K5400T-LS |
| K7 | O/H gasket set w/seals-rings | A340H/E | 1 | 94-01 | AE | K54900 |
| K7 | O/H gasket set w/seals-rings | A343F/A350E | 1 | 95-99 | AE | K54900W |

A340•340•A341E•A343E•A350•AW30-40LE

A340•A341E•A343E•A350•AW30-40LE

| ILL | DESCRIPTION | | QTY | YEAR | REFERENCE # | PART # |
|--------------------------------------|---|--|-----|-------|--------------|---------|
| REBUILDER KITS (CONTINUED) | | | | | | |
| K7 | O/H gasket set w/seals-rings | A340/343E | 1 | 00-10 | AE | K54900Y |
| K7 | O/H gasket set w/seals-rings | transfer case only | 1 | 85-99 | AE | K54900T |
| GASKETS AND RUBBER COMPONENTS | | | | | | |
| H1 | Gasket, transmission oil pan | neoprene/cork | 1 | 85-10 | | 13810X |
| H1 | Gasket, transmission oil pan | Duraprene® | 1 | 85-10 | | 13810D |
| A2 | O'ring | pump to case | 1 | 85-10 | 90301-99033 | 1082 |
| n/i | Gasket, Transfer case pan | neoprene/cork | 1 | 85-91 | 35178-30010 | 13820X |
| n/i | Gasket, Transfer case pan | Duraprene® | 1 | 85-91 | 35178-30010f | 13820D |
| n/i | Gasket, filter spacer | 4WD | 1 | 85-10 | 35336-60010 | 23004 |
| n/i | Gasket, filter | 2WD | 1 | 85-10 | 35339-30070 | 23005 |
| n/i | O'ring | filler tube | 1 | 85-10 | 90301-09011 | 23009 |
| n/i | O'ring | A350E (filler tube) | 1 | 96-10 | 90301-09173 | 13103 |
| METAL CLAD SEALS | | | | | | |
| A18 | Seal, metal clad | front | 1 | 85-10 | 90311-38129 | 46200 |
| G19 | Seal, metal clad | except below (extension housing) | 1 | 85-10 | 90311-40001 | 42201 |
| G19 | Seal, metal clad | Cressida (extension housing) | 1 | 86-87 | 90311-38040 | 42201A |
| G19 | Seal, metal clad 2.170" od (not in kit) | Lexus w/A341E/A350E (extension housing) | 1 | 90-10 | 90311-42024 | 46201 |
| G19 | Seal, metal clad 2.170" od (not in kit) | Volvo (extension housing) | 1 | 93-10 | 3549226-3 | 46201 |
| n/i | Seal, metal clad (not in kit) | A340F (adapter housing) | 1 | 90-94 | 90311-40007 | 54152 |
| n/i | Seal, metal clad (not in kit) | A340F (adapter housing) | 1 | 95-99 | 90311-48016 | 77203 |
| n/i | Seal, metal clad | speedo driven gear (S type) | 1 | 85-10 | 90310-09001 | 46203 |
| n/i | Seal, metal clad 12x22x7mm | manual lever shaft | 1/3 | 85-10 | 90311-12002 | 46202 |
| n/i | Seal, metal clad | output flange transfer case (front/rear) | 2 | 85-94 | 90316-40001 | 54154 |
| n/i | Seal, metal clad | chain case (front and rear except V/6) | 2 | 85-88 | 90316-58002 | 54156 |
| n/i | Seal, metal clad | chain case (front/rear outer V/6 11/87) | 1 | 89-10 | 90310-58001 | 54155 |
| n/i | Seal, metal clad | chain case (front/rear outer V/6 11/87) | 1 | 89-10 | 90310-77001 | 54157 |
| n/i | Seal, metal clad | adapter housing | 1 | 00-10 | n/a | 54158 |
| n/i | Seal, metal clad | A350E (output shaft to prop shaft yoke) | 1 | 96-97 | 90311-24001 | 54159 |
| SEALING RINGS | | | | | | |
| K10 | Kit, sealing ring | A340H/E | 1 | 85-10 | AE | K54300 |
| K10 | Kit, sealing ring | A343F/A350E | 1 | 95-10 | AE | K54300W |
| CLUTCH PLATES | | | | | | |
| A30 | Friction .083" 4.973" od 32T | overdrive direct clutch | 2 | 85-10 | 35633-30040 | 54101 |
| A31 | Steel .079" 4.127" id 24T | overdrive direct clutch | 1/2 | 85-10 | 34616-30010 | 54107 |
| A31 | Steel .118" 4.127" id 24T | Lexus (overdrive direct clutch) | 1 | 90-94 | 34616-50010 | 54112 |
| A31 | Steel .098" 4.127" id 24T | Volvo (overdrive direct clutch) | 1 | 92-98 | 3549181-0 | 54107A |
| B32 | Friction .081" 6.529" od 24T | overdrive clutch | 3/5 | 85-10 | 35633-50010 | 54100 |
| B33 | Steel .079" 5.634" id 6T | small od overdrive clutch | 3/4 | 85-10 | 34634-30030 | 54106 |
| B33 | Steel .078" 5.634" id 6T | Volvo (large od overdrive direct clutch) | 3/4 | 92-98 | 34634-30021 | 54106A |
| C34 | Friction .083" 5.178" od 40T (waved) | direct clutch | 3/5 | 85-10 | 35677-50030 | 54102 |
| C35 | Steel .118" 4.127" id 6T | direct clutch | 3/4 | 85-10 | 35647-14010 | 54108 |
| C35 | Steel .091" 4.127" id 6T | direct clutch | 1/4 | 85-10 | 35647-30011 | 54124 |
| C35 | Steel .091" 4.127" id 24T | direct clutch | 4 | 00-10 | 35647-22030 | 54136 |
| C35 | Steel .071" 4.127" id 6T | direct clutch | 4 | 93-10 | 35634-32020 | 75137 |
| D36 | Friction .067" 4.973" od 40T | forward clutch | 6 | 85-10 | 35677-14010 | 54103 |
| D36 | Friction .083" 4.973" od 40T | forward clutch | 4/5 | 85-97 | 35677-30090 | 54103A |
| D36 | Friction .075" 4.973" od 40T | forward clutch | 6/7 | 90-98 | 35677-50010 | 54103B |
| D36 | Friction .079" 4.973" od 40T | forward clutch | 5 | 87-10 | 35677-30170 | 54103C |
| D37 | Steel .079" 4.138" id 8T | forward clutch | 5 | 85-10 | 35634-30100 | 54109 |
| D37 | Steel .071" 4.138" id 8T | forward clutch | 6/7 | 85-10 | 35634-32020 | 75101 |
| D37 | Steel .091" 4.138" id 8T | forward clutch | 4/6 | 92-10 | 35634-30110 | 54109A |
| D38 | Steel, cushion plate | forward clutch | ar | 85-10 | 35672-50010 | 54111 |
| E39 | Friction .081" 5.178" od 32T | 2nd brake clutch | 4/5 | 85-10 | 35667-50020 | 54104 |

A340•340•A341E•A343E•A350•AW30-40LE

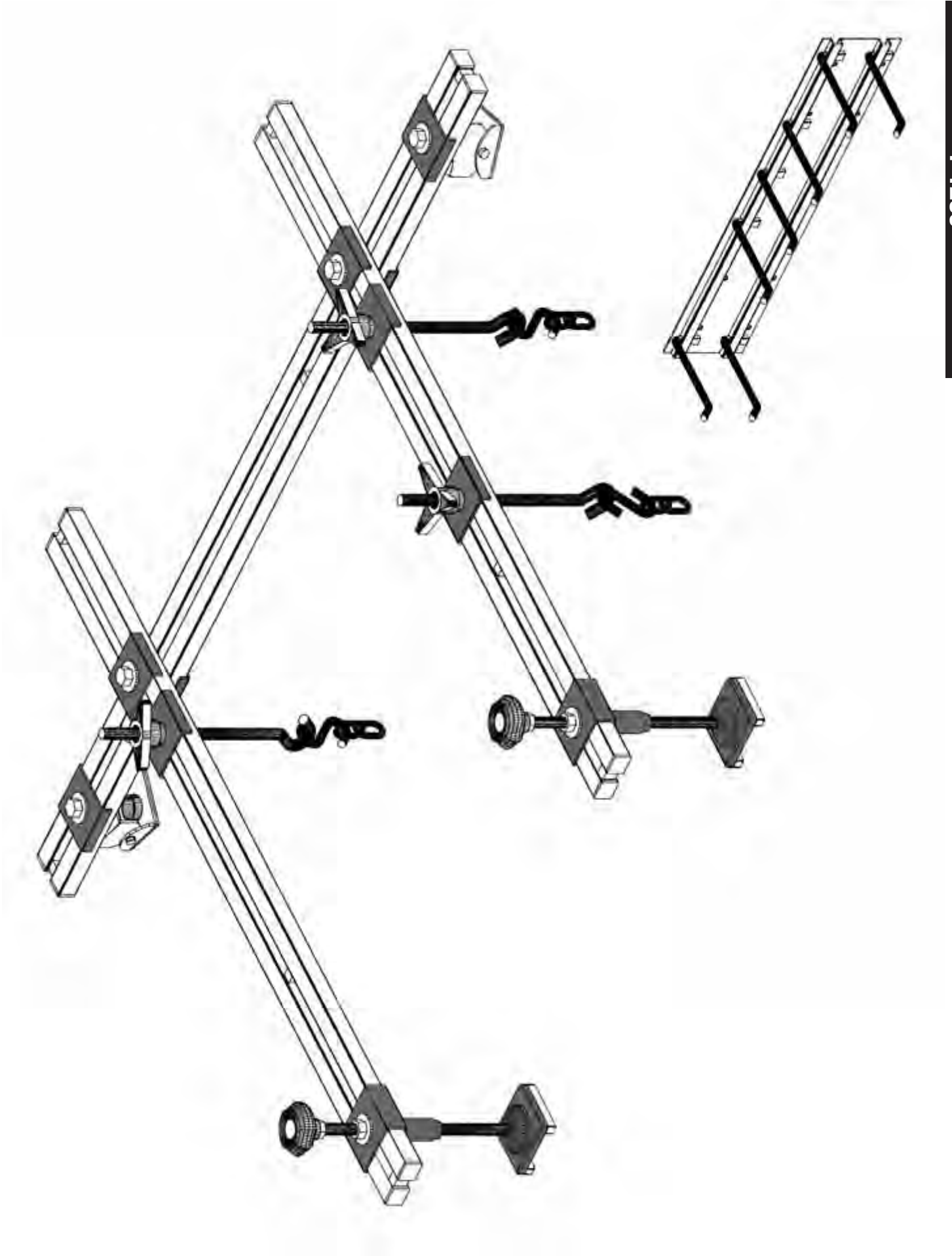
A340•A341E•A343E•A350•AW30-40LE

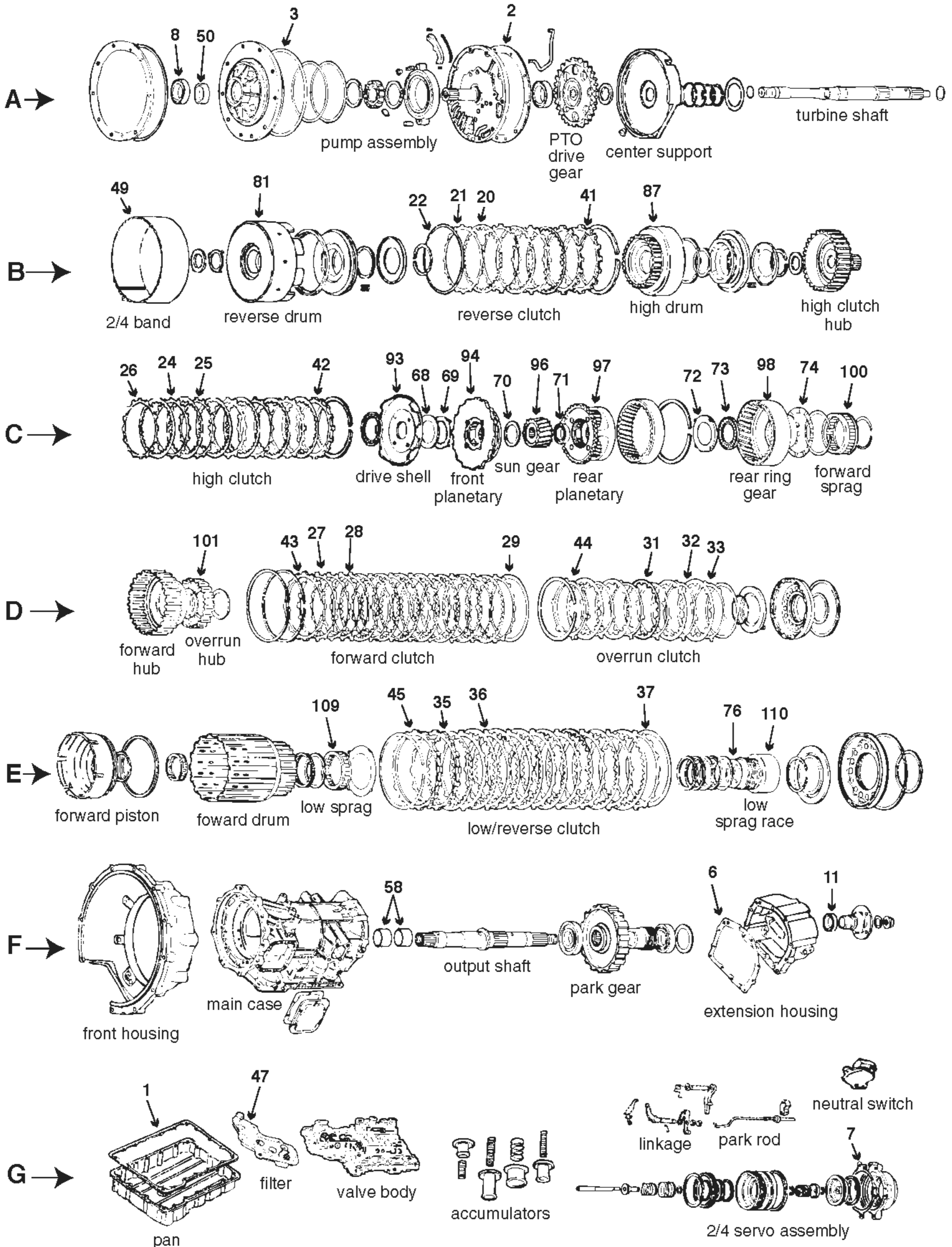
| ILL | DESCRIPTION | QTY | YEAR | REFERENCE # | PART # | |
|----------------------------------|--|---|------|-------------|-------------|----------|
| CLUTCH PLATES (CONTINUED) | | | | | | |
| E40 | Steel .071" 4.152" id 16T | 2nd brake clutch | 1 | 85-10 | 35647-30030 | 54110 |
| E40 | Steel .098" 4.152" id 16T | 2nd brake clutch | 4 | 85-10 | 35647-30020 | 54110A |
| E41 | Friction .067" 5.092" od 32T | low/reverse clutch | 6/7 | 85-10 | 35677-30110 | 54105 |
| E42 | Steel .071" 4.319" id 15T | low/reverse clutch | 5/7 | 85-10 | 35648-30031 | 54114 |
| n/i | Friction .067" 5.597" od 44T | transfer case (direct clutch) | 5/7 | 85-91 | 35653-35020 | 54120 |
| n/i | Steel .071" 4.580" id 29T | transfer case (direct clutch) | 5/7 | 85-91 | 34656-35010 | 54122 |
| n/i | Steel .100" 4.580" id 29T | transfer case (direct clutch) | ar | 85-91 | 34656-35020 | 54122A |
| n/i | Friction .067" 6.808" od 53T | transfer case (low clutch) | 4/7 | 85-91 | 35683-35020 | 54121 |
| n/i | Steel .071" 5.954" id 8T | transfer case (low clutch) | 4/6 | 85-91 | 34686-35010 | 54123 |
| n/i | Steel, cushion plate | transfer case (low clutch) | 1 | 85-91 | 34687-35010 | 54115 |
| n/i | Friction .067" 5.597" od 44T | transfer case (front drive) | 5/7 | 85-91 | 35653-35020 | 54120 |
| n/i | Steel .071" 4.580" id 29T | transfer case (front drive) | 6/7 | 85-91 | 34656-35010 | 54122 |
| n/i | Steel .100" 4.580" id 29T | transfer case (front drive) | ar | 85-91 | 35656-35020 | 54122A |
| PRESSURE PLATES | | | | | | |
| A44 | Pressure plate .122" 3.1mm | overdrive direct clutch | sel | 85-10 | 34615-30070 | 54127-R |
| B45 | Pressure plate .130" 3.3mm | overdrive brake clutch | sel | 85-10 | 34625-30090 | 54130-R |
| B45 | Pressure plate .138" 3.5mm | overdrive brake clutch | sel | 85-10 | 34625-30080 | 54130A-R |
| B45 | Pressure plate .142" 3.6mm | overdrive brake clutch | sel | 85-10 | 34625-30070 | 54130B-R |
| B45 | Pressure plate .146" 3.7mm | overdrive brake clutch | sel | 85-10 | 34625-30060 | 54130C-R |
| B45 | Pressure plate .150" 3.8mm | overdrive brake clutch | sel | 85-10 | 34625-30050 | 54130D-R |
| B45 | Pressure plate .154" 3.9mm | overdrive brake clutch | sel | 85-10 | 34625-30040 | 54130E-R |
| B45 | Pressure plate .159" 4.0mm | overdrive brake clutch | sel | 85-10 | 34625-30100 | 54130F-R |
| C46 | Pressure plate .110" 2.8mm | direct clutch | sel | 85-10 | 35675-30111 | 75716A-R |
| D47 | Pressure plate .118" 3.0mm | forward clutch | sel | 85-10 | 35635-50030 | 75716B-R |
| E48 | Pressure plate | 2nd clutch | 1 | 85-10 | 35676-30020 | 54128-R |
| E49 | Pressure plate .158" 4.0mm | low/reverse clutch | sel | 85-10 | 35676-50060 | 54129-R |
| E49 | Pressure plate .166" 4.2mm | low/reverse clutch | sel | 85-10 | 34676-50050 | 54129A-R |
| E49 | Pressure plate .174" 4.4mm | low/reverse clutch | sel | 85-10 | 35676-50040 | 54129B-R |
| n/i | Pressure plate | transfer case (direct) | sel | 85-10 | 34655-35010 | 54131-R |
| n/i | Pressure plate | transfer case (front drive) | sel | 85-10 | 34655-35010 | 54125-R |
| n/i | Pressure plate | transfer case (low spd brake apply/backing) | 2 | 85-10 | 34685-35010 | 54126-R |
| FILTERS | | | | | | |
| K9 | Kit, filter | A340E (2WD)(neoprene/cork) | 1 | 85-10 | AE | FK54800 |
| K9 | Kit, filter | A340E (2WD)(Duraprene®) | 1 | 85-10 | AE | DK54800 |
| K9 | Kit, filter | A340H (4WD)(neoprene/cork) | 1 | 85-10 | AE | FK54800A |
| K9 | Kit, filter | A340H (4WD)(Duraprene®) | 1 | 85-10 | AE | DK54800A |
| K9 | Kit, filter (A341E)(neoprene/cork) | GS300/LS400/SC400/Supra w/turbo | 1 | 96-10 | AE | FK54800C |
| K9 | Kit, filter (A341E)(Duraprene®) | GS300/LS400/SC400/Supra w/turbo | 1 | 96-10 | AE | DK54800C |
| K9 | Kit, filter A340E | Lexus GS300 (neoprene/cork) | 1 | 93-95 | AE | FK54800G |
| K9 | Kit, filter A340E | Lexus GS300 (Duraprene®) | 1 | 93-95 | AE | DK54800G |
| K9 | Kit, filter A340F (4WD) | PU/4 Runner (neoprene/cork) | 1 | 96-97 | AE | FK54800F |
| K9 | Kit, filter A340F (4WD) | PU/4 Runner (Duraprene®) | 1 | 96-97 | AE | DK54800F |
| K9 | Kit, filter A340F (4WD) | T100/Tacoma (neoprene/cork) | 1 | 95-10 | AE | FK54800D |
| K9 | Kit, filter A340F (4WD) | T100/Tacoma (Duraprene®) | 1 | 95-10 | AE | DK54800D |
| K9 | Kit, filter A343F (4WD)(neoprene/cork) | Lexus/Land Cruiser/Tacoma/4 Runner | 1 | 95-10 | AE | FK54800E |
| K9 | Kit, filter A343F (4WD)(Duraprene®) | Lexus/Land Cruiser/Tacoma/4 Runner | 1 | 95-10 | AE | DK54800E |
| K9 | Kit, filter A340E/F (4WD) | Lexus/Land Cruiser/Tundra V8 (neop/cork) | 1 | 98-10 | AE | FK54800H |
| K9 | Kit, filter A340E/F (4WD) | Lexus/Land Cruiser/Tundra V8 (Duraprene®) | 1 | 98-10 | AE | DK54800H |
| K9 | Kit, filter A350E | Lexus GS300 (neoprene/cork) | 1 | 96-10 | AE | FK54800J |
| K9 | Kit, filter A350E | Lexus GS300 Duraprene® | 1 | 96-10 | AE | DK54800J |
| H51 | Filter, A340E (2WD) | Supra 2WD | 1 | 85-10 | 35330-30011 | 54800 |
| H51 | Filter, A340H (4WD) | A340E | 1 | 85-10 | 35303-35010 | 54800A |
| H51 | Filter, A341E | Lexus GS 300/LS 400/SC 400/Supra w/turbo | 1 | 96-10 | 35330-50010 | 54800C |

A340•340•A341E•A343E•A350•AW30-40LE

A340•A341E•A343E•A350•AW30-40LE

| ILL | DESCRIPTION | | QTY | YEAR | REFERENCE # | PART # |
|------------------------------|---|---|-----|-------|-------------|----------|
| FILTERS (CONTINUED) | | | | | | |
| H51 | Filter, A340E | Lexus GS 300 | 1 | 93-95 | 35330-30020 | 54800G |
| H51 | Filter, A340F (4WD) | PU/4 Runner | 1 | 96-97 | 35330-35020 | 54800F |
| H51 | Filter, A340F (4WD) | T100/Tacoma w/3/8" neck/Kia Sorento | 1 | 95-10 | 35330-22010 | 54800D |
| H51 | Filter, A343 (4WD) | Lexus/Land Cruiser/Tacoma/4 Runner | 1 | 95-10 | 35330-60020 | 54800E |
| H51 | Filter, A340E/F/A343F (4WD) | Lexus/Land Cruiser/Tundra V8 | 1 | 98-10 | 35330-60030 | 54800H |
| H51 | Filter, A350E | Lexus GS 300 | 1 | 96-10 | 35330-30040 | 54800J |
| BANDS | | | | | | |
| C53 | Band | brake (intermediate) | 1 | 85-10 | 35810-30020 | 54700 |
| BUSHINGS | | | | | | |
| K13 | Kit, bushing | A340H/E | 1 | 85-10 | AE | K54901 |
| A54 | Bushing | pump body | 1 | 85-10 | | 46001 |
| A55 | Bushing 17mm 21.561mm bore | stator support (front) | 1 | 85-10 | | 46007A |
| A56 | Bushing | stator support (rear) | 1 | 85-10 | | 54002 |
| A57 | Bushing | overdrive direct drum (front) | 1 | 85-10 | | 54003 |
| A58 | Bushing | overdrive direct drum (rear) | 1 | 85-10 | | 54004 |
| B59 | Bushing | overdrive planetary | 1 | 85-10 | | 54005 |
| C60 | Bushing | direct drum | 1 | 85-10 | | 54006 |
| C61 | Bushing | forward drum | 1 | 85-10 | | 54007 |
| D62 | Bushing | ring gear (front planetary) | 1 | 85-10 | | 54008 |
| D63 | Bushing | sun gear (front) | 1 | 85-10 | | 54009 |
| D64 | Bushing | sun gear (rear) | 1 | 85-10 | | 54010 |
| G65 | Bushing (babbit) 38.113mm bore | case | 1 | 85-10 | | 12502 |
| G66 | Bushing w/38mm yoke | extension housing | 1 | 85-10 | | 46006 |
| G66 | Bushing w/35mm yoke (not in kit) | extension housing | 1 | 85-10 | | 46006A |
| G66 | Bushing w/40mm yoke (not in kit) | extension housing | 1 | 85-10 | | 54014 |
| n/i | Bushing (not in kit) | transfer case direct drum | 1 | 85-10 | | 54020 |
| PUMP PARTS AND PUMPS | | | | | | |
| A98 | Pump, assembly (w/.420" thick pump gears) | please specify | 1 | 85-10 | 35301-30040 | 54200A-R |
| HARD PARTS | | | | | | |
| n/i | Housing, overdrive w/31T sun gear | A343 (16T reluctor wheel) | 1 | 95-02 | A/E | 54941D-R |
| n/i | Planet, overdrive w/20 splines 8.750" oh | A343 (2 grooves) w/4 pinion 32T gears | 1 | 95-02 | A/E | 54936D-R |
| n/i | Gear, overdrive ring w/o hub 95T | A343 (5 1/4" diameter) | 1 | 95-02 | A/E | 54940D-R |
| ELECTRICAL COMPONENTS | | | | | | |
| n/i | Solenoid | A340E/A341E/A343E (lock-up/TCC) | 1 | 85-05 | 52-0205 | 5A-173 |
| n/i | Solenoid | A341/A341F/A343E/A343F (lock-up/TCC) | 1 | 90-02 | 52-0477 | 5A-173A |
| n/i | Solenoid | A340E | 2 | 85-05 | 85420-22080 | 5A-172 |
| n/i | Solenoid set | A340E (shift #1 and shift #2) | 1 | 85-05 | 85420-32021 | 5A-178 |
| n/i | Solenoid master kit (w/mounting bracket) | A340E (2 shift /1 LU) | 1 | 90-05 | 52-9002 | 25A-050 |
| n/i | Solenoid master kit (w/bracket)(1 piece) | A341E/A343E (dual shift solenoids assy) | 1 | 99-02 | 52-9021 | 25A-053 |
| n/i | Solenoid | A341E/A343E (SLN accumulator control) | 1 | 90-10 | 52-0399 | 5A-160 |
| n/i | Solenoid | A341E/A343E (SL lock-up/TCC control) | 1 | 90-10 | 52-0400 | 5A-161 |
| n/i | Solenoid | A340E/A341E/A343E (SLT/EPC) | 1 | 98-05 | 35290-60020 | 5A-162 |
| n/i | Kit, solenoid (w/mounting brackets) | A340E (2 shift/1 lock-up/1 SLT) | 1 | 98-05 | 52-9029 | 25A-055 |
| n/i | Kit, solenoid | A341E/A343E (1 SLN/1 SL/2 shift) | 1 | 90-10 | 52-9030 | 25A-056 |
| n/i | Switch, neutral start (w/wire harness) | A340 | 1 | 98-05 | D97991A | 16A-375 |
| SPRAGS | | | | | | |
| B102 | Sprag | overdrive one way clutch | 1 | 85-10 | 35791-30040 | 75929 |
| D121 | Sprag w/washers | intermediate one way clutch | 1 | 85-10 | 35790-30030 | 54501 |
| E126 | Sprag w/washers | low one way clutch | 1 | 85-10 | 35792-30042 | 54503 |
| NOTES | | | | | | |
| | | | | | | |
| | | | | | | |
| | | | | | | |





JR403E/RG4R01A/RMK
33000

| ILL | DESCRIPTION | QTY | YEAR | REFERENCE # | PART # |
|--------------------------------------|---|-----|-------|--------------|----------|
| TECHNICAL MANUALS | | | | | |
| K53 | Tech manual JR403E dis/assembly diagnosis/troubleshooting | 1 | 88-98 | 83-JR403ETM | 010-443 |
| REBUILDER KITS | | | | | |
| K5 | Master kit w/steels RG4R01A/JR403E | 1 | 88-98 | AE | K3300 |
| K6 | Master kit w/o steels RG4R01A/JR403E | 1 | 88-98 | AE | K3300-LS |
| K7 | O/H gasket set w/seals-rings RG4R01A/JR403E | 1 | 88-98 | AE | K33900 |
| VALVE BODY KITS | | | | | |
| K15 | Shift Kit® planet/clutch and band burn up | 1 | 88-98 | SK® RE4R01A | K78908 |
| K15 | Shift Correction Package JR403E | 1 | 88-98 | KJR403E | S33908 |
| GASKETS AND RUBBER COMPONENTS | | | | | |
| G1 | Gasket, oil pan neoprene/cork | 1 | 88-98 | 31397-51X00 | 13138X |
| G1 | Gasket, oil pan Duraprene® | 1 | 88-98 | 31397-51X00F | 13138D |
| A2 | Gasket, pump to case RG4R01A/JR403E | 1 | 88-98 | 94483318 | 23087 |
| A3 | O'ring pump to case | 1 | 88-98 | 31526-41X01 | 23061 |
| F6 | Gasket, extension housing RG4R01A/JR403E | 1 | 88-98 | 94483334 | 23088 |
| G7 | Gasket, servo cover RG4R01A/JR403E | 1 | 88-98 | 31623-51X00 | 23078 |
| n/i | O'ring filter to valve body | 1 | 88-98 | 31526-41X07 | 23062 |
| n/i | O'ring case connector | 1 | 88-98 | 31526-41X04 | 23082 |
| n/i | O'ring output speed sensor | 1 | 88-98 | 31526-41X05 | 23083 |
| n/i | Gasket RG4R01A/JR403E | 1 | 88-98 | 31716-41X01 | 23494 |
| n/i | Gasket RG4R01A/JR403E | 1 | 88-98 | 31717-51X00 | 23495 |
| n/i | Seal center support to case | 4 | 88-98 | 94483324 | 23467 |
| METAL CLAD SEALS | | | | | |
| A8 | Seal, metal clad front | 1 | 88-98 | 94483289 | 68200 |
| F11 | Seal, metal clad Isuzu (extension housing) | 1 | 88-98 | 94483329 | 33200 |
| F11 | Seal, metal clad Nissan (extension housing) | 1 | 88-98 | 32136-02T00 | 33201 |
| n/i | Seal, metal clad manual lever shaft | 1 | 88-98 | 94483246 | 78210 |
| SEALING RINGS | | | | | |
| K10 | Kit, sealing ring RG4R01A/JR403E | 1 | 88-98 | AE | K73300 |
| CLUTCH PLATES | | | | | |
| B20 | Friction .075" 6.12" od 64T reverse clutch | 3 | 88-98 | 94483445 | 73106 |
| B21 | Steel .079" 5.2" id 40T reverse clutch | 3 | 88-98 | 94483440 | 73107 |
| B21 | Steel .110" 5.2" id 40T reverse clutch | ar | 88-98 | 31536-51X06 | 73107A |
| B22 | Steel, dished reverse clutch (cushion) | 1 | 88-98 | 31535-51X05 | 73126-R |
| C24 | Friction .062" 6.12" od 64T high clutch | 6 | 88-98 | 94483419 | 73104 |
| C25 | Steel .118" 5.2" id 40T (not in kit) high clutch | 6 | 88-92 | 94483418 | 73107B |
| C25 | Steel .079" 5.2" id 40T high clutch | 7 | 92-98 | 94483440 | 73107 |
| C26 | Steel, dished high clutch (cushion) | 1 | 88-98 | 31535-51X05 | 73126-R |
| D27 | Friction .079" 6.6" od 50T forward clutch | 7/8 | 88-98 | 94483388 | 73101 |
| D28 | Steel .079" 6.1" id 36T forward clutch | 14 | 88-98 | 94483387 | 73100 |
| D29 | Steel, dished forward clutch (cushion) | 1 | 88-98 | 31535-51X01 | 73122-R |
| D31 | Friction .079" 6.1" od 20T overrun clutch | 5 | 88-98 | 94483399 | 73103A |
| D32 | Steel .079" 5.36" id 6T overrun clutch | 5 | 88-98 | 94483398 | 73113 |
| D33 | Steel, dished (not in kit) overrun clutch (cushion) | 1 | 88-98 | 31535-51X02 | 73123-R |
| E35 | Friction .064" 6.12" od 33T low/reverse clutch | 8 | 88-98 | 94483263 | 73108 |
| E36 | Steel .079" 5.48" od 11T low/reverse clutch | 8 | 88-98 | 94483262 | 73114 |
| E37 | Steel, dished low/reverse clutch (cushion) | 1 | 88-98 | 31535-51X04 | 73124-R |
| PRESSURE PLATES | | | | | |
| B41 | Pressure plate reverse clutch | sel | 88-98 | 31537-51X00 | 73717-R |
| C42 | Pressure plate high clutch | sel | 88-98 | 31537-51X00 | 73717-R |
| D43 | Pressure plate forward clutch | sel | 88-98 | 31537-51X05 | 73714-R |
| D44 | Pressure plate overrun clutch | sel | 88-98 | 31537-51X11 | 73715-R |
| E45 | Pressure plate low/reverse clutch | sel | 88-98 | 31667-51X00 | 73716-R |

JR403E•RG4R01A

JR403E•RG4R01A

| ILL | DESCRIPTION | | QTY | YEAR | REFERENCE # | PART # |
|-------------------------------------|---|--|-----|-------|-------------|----------|
| FILTERS | | | | | | |
| K9 | Kit, filter | neoprene/cork | 1 | 98-98 | AE | FK33800 |
| K9 | Kit, filter | Duraprene® | 1 | 88-98 | AE | DK33800 |
| G47 | Filter | RG4RO1A/JR403E | 1 | 88-98 | 31728-41X03 | 78800A |
| BANDS | | | | | | |
| B49 | Band, flex | intermediate | 1 | 88-98 | 31630-51X02 | 73700 |
| BUSHINGS | | | | | | |
| K13 | Kit, bushing | RG4RO1A/JR403E | 1 | 88-98 | AE | K33901 |
| A50 | Bushing 2.130" od | pump body | 1 | 88-98 | 31343-21X01 | 68001 |
| F58 | Bushing (1 piece design) | case | 1 | 88-98 | 31405-51X00 | 73003X |
| WASHERS/BEARINGS/RACES/SHIMS | | | | | | |
| C68 | Race, thrust (1st design) | drive shell to bearing | 1 | 88-98 | 31435-51X00 | 73511-R |
| C69 | Bearing, thrust (open face)(1st design) | race to front planetary | 1 | 88-98 | n/a | 73508-R |
| C69 | Bearing, thrust (1 piece)(2nd design) | drive shell to front planet (2nd design) | 1 | 88-98 | 31407-71X03 | 73509-R |
| C70 | Bearing, thrust | front planetary to sun gear | 1 | 88-98 | 31455-21X00 | 73513-R |
| C72 | Race, thrust | rear planetary to bearing | 1 | 88-98 | 31435-71X00 | 73515-R |
| C73 | Bearing, thrust | rear ring gear to support | 1 | 88-98 | 31407-71X02 | 68410-R |
| C74 | Washer, thrust | rr rg gr to fwd hub/fwd hub to overrun hub | 2 | 88-98 | 31508-51X08 | 73407 |
| E76 | Bearing, thrust | overrun hub to low sprag inner race | 1 | 88-98 | 31407-51X04 | 73417-R |
| PUMP PARTS AND PUMPS | | | | | | |
| A | Pump assembly (2-flats on rotor) | JR403E/RMK | 1 | 87-98 | AE | 33200-R |
| HARD PARTS | | | | | | |
| B81 | Drum, reverse clutch | RG4RO1A/JR403E | 1 | 88-98 | 31511-51X02 | 73928-R |
| B87 | Drum, high clutch | RG4RO1A/JR403E | 1 | 88-98 | 31542-51X00 | 73925-R |
| C93 | Shell, w/sun gear 40T | RG4RO1A/JR403E | 1 | 88-98 | 31460-51X02 | 73729-R |
| C94 | Planetary (carrier) | front | 1 | 88-98 | n/a | 33747 |
| C96 | Gear, sun 44T | rear | 1 | 88-98 | n/a | 33728 |
| C97 | Planetary (carrier) | rear | 1 | 88-98 | n/a | 33749 |
| C98 | Gear, ring | rear internal | 1 | 88-98 | n/a | 33730 |
| D101 | Hub, overrun clutch | RG4RO1A/JR403E | 1 | 88-98 | 31591-51X02 | 73752-R |
| E110 | Race, inner | low sprag | 1 | 88-98 | 31472-51X03 | 73750A-R |
| n/i | Gear set, planetary | RG4RO1A/JR403E | 1 | 88-98 | AE | K33950-R |
| ELECTRICAL COMPONENTS | | | | | | |
| n/i | Solenoid set | shift A/B and coast and EPC | 1 | 88-98 | 31940-41X00 | 5A-500 |
| SPRAGS | | | | | | |
| C100 | Sprag | foward | 1 | 88-98 | 31484-71X00 | 73502 |
| E109 | Sprag | low | 1 | 88-98 | 31473-51X00 | 73503 |
| NOTES | | | | | | |
| | | | | | | |
| | | | | | | |
| | | | | | | |
| | | | | | | |
| | | | | | | |
| | | | | | | |
| | | | | | | |
| | | | | | | |
| | | | | | | |
| | | | | | | |

SPEEDOMETER PROBLEMS

Speedometer slow (on dash) head

- (1) Increase teeth on drive gear**
- (2) Decrease teeth on driven gear**

Speedometer fast (on dash) head

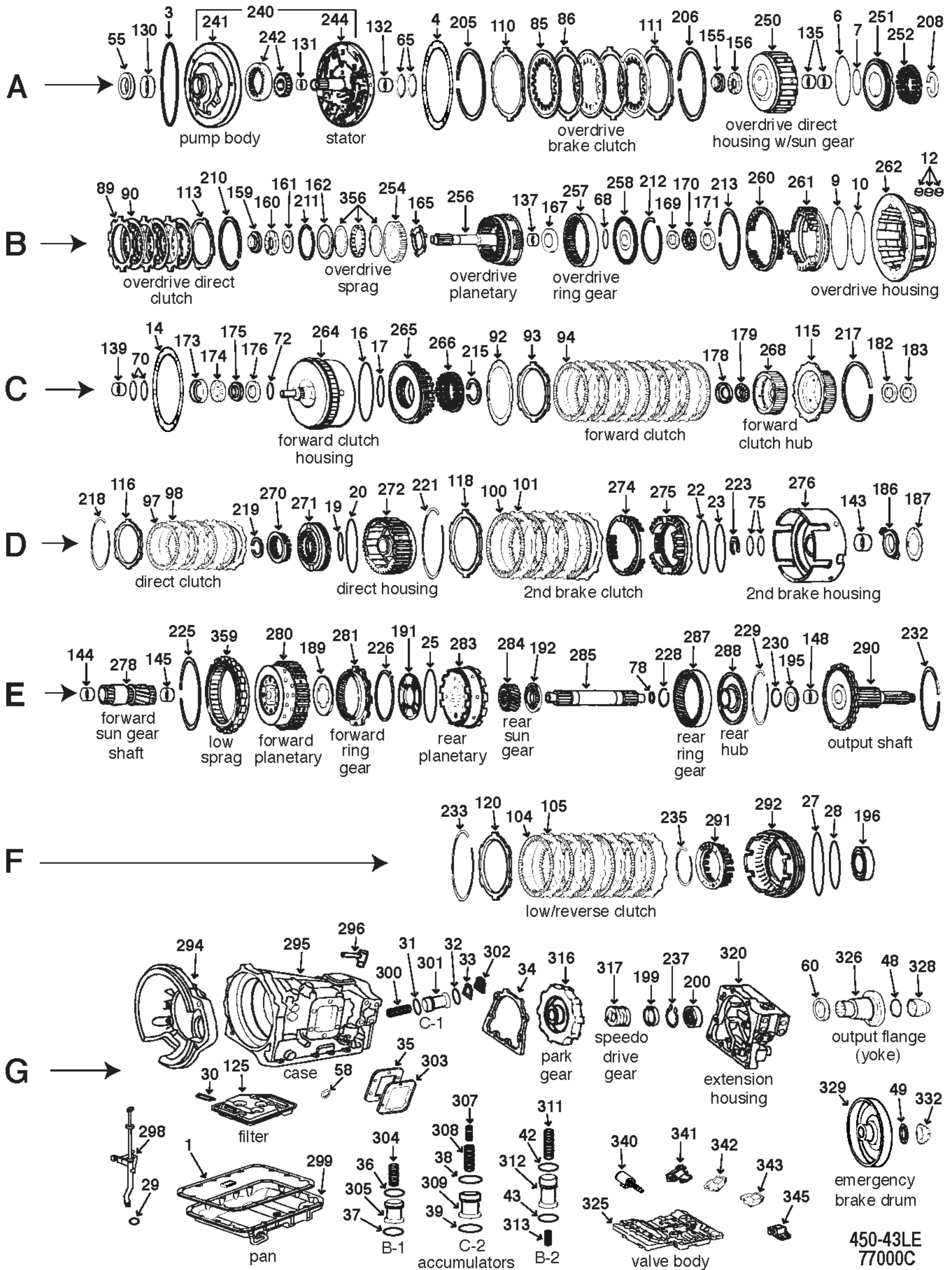
- (1) Decrease teeth on drive gear**
- (2) Increase teeth on driven gear**

Usually, there is a 3 to 5 mph change in each tooth.

**The drive gear is on the output shaft on most RWD vehicles.
The driven gear is usually in the extension housing.**

**Most GM vehicles have both replaceable drive and driven gears.
Most Ford and Chrysler vehicles have their drive gears cut into output shafts (which do come in different tooth counts). Only driven gears can be replaced without removal of output shafts. This applies to most Ford and Chrysler RWD automatics and standards.**

Most Conventional 4x4's are driven at the transfer case.



| ILL | DESCRIPTION | QTY | YEAR | REFERENCE # | PART # |
|--------------------------------------|--|-----|-------|---------------|-----------|
| REBUILDER KITS | | | | | |
| K5 | Master kit w/steels 450-43LE | 1 | 98-05 | AE | K7700C |
| K6 | Master kit w/o steels 450-43LE | 1 | 98-05 | AE | K7700C-LS |
| K7 | O/H Gasket set w/seals-rings 450-43LE | 1 | 98-05 | FDB-2412 | K77900C |
| GASKETS AND RUBBER COMPONENTS | | | | | |
| G1 | Gasket, oil pan 450-43LE | 1 | 98-05 | 35168-36010 | 13870D |
| G1 | Gasket, oil pan 450-43LE | 1 | 98-05 | 35168-36010 | 13870X |
| A3 | O'ring pump body | 1 | 98-05 | 90301-99029 | 13409 |
| A4 | Gasket pump support | 1 | 98-05 | 35313-36010 | 23006 |
| G30 | Gasket oil filter | 1 | 98-05 | 35339-60020 | 13871 |
| G34 | Gasket extension housing | 1 | 98-05 | 35182-36010 | 23007 |
| G58 | Seal valve body to case | 1 | 98-05 | 35893-36010 | 23024 |
| METAL CLAD SEALS | | | | | |
| A55 | Seal, metal clad front | 1 | 98-05 | 90311-42010 | 45200 |
| G60 | Seal, metal clad extension housing | 1 | 98-05 | 97202071 | 77206 |
| n/i | Seal, metal clad 12x22x7mm shift shaft | 1 | 98-05 | 90311-12002 | 46202 |
| SEALING RINGS | | | | | |
| K10 | Kit, sealing ring 450-43LE | 1 | 98-05 | FDB3459 | K77300C |
| CLUTCH PLATES | | | | | |
| A85 | Friction .063" 7.230" 20T overdrive brake clutch | 3 | 98-05 | 8-97257-023-0 | 77110 |
| B89 | Steel .078" 4.050" id 20T overdrive direct clutch | 3 | 98-05 | 8-97256-969-0 | 77107 |
| B89 | Steel .095" 6.402" id 6T overdrive brake clutch | 2 | 98-05 | 8-97257-021-0 | 77109 |
| B90 | Friction .083" 4.987" od 47T overdrive direct clutch | 3 | 98-05 | 8-97257-043-0 | 77108 |
| C93 | Steel .071" 3.997" id 10T forward clutch | 7 | 98-05 | 8-97256-967-0 | 77101 |
| C94 | Friction .083" 4.987" od 46T forward clutch | 7 | 98-05 | 8-97256-973-0 | 77103 |
| D97 | Friction .083" 4.987" od 46T direct clutch | 5 | 98-05 | 8-97256-973-0 | 77103 |
| D98 | Steel .095" 3.997" id 10T direct clutch | 5 | 98-05 | 8-97256-972-0 | 77101C |
| D100 | Friction .083" 6.890" od 70T intermediate clutch (2nd brake) | 5 | 98-05 | 8-97256-938-0 | 77100 |
| D101 | Steel 6T .110" 5.995" id intermediate clutch (2nd brake) | 5 | 98-05 | 8-97256-939-0 | 77105C |
| F104 | Friction .067" 6.880" od 70T 1st and reverse clutch | 6 | 98-05 | 8-97256-954-0 | 77106 |
| F105 | Steel .110" 5.995" id 16T 1st and reverse clutch | 6 | 98-05 | 8-97256-951-0 | 77102C |
| n/i | Steel .079" 3.997" id 10T overdrive/forward/direct clutch | sel | 98-05 | 8-97256-970-0 | 77101A |
| n/i | Steel .087" 3.997" id 10T overdrive/forward/direct clutch | sel | 98-05 | 8-97256-970-0 | 77101B |
| PRESSURE PLATES | | | | | |
| A110 | Pressure plate overdrive brake clutch | 1 | 98-05 | AE | 77418-R |
| A111 | Pressure plate (apply) overdrive brake clutch | 1 | 98-05 | AE | 77420-R |
| B113 | Pressure plate overdrive direct | 1 | 98-05 | AE | 77422-R |
| C115 | Pressure plate forward clutch | 1 | 98-05 | AE | 77425-R |
| D116 | Pressure plate direct clutch | 1 | 98-05 | AE | 77427-R |
| D118 | Pressure plate 2nd brake clutch | 1 | 98-05 | AE | 77429-R |
| F120 | Pressure plate low/reverse clutch | 1 | 98-05 | AE | 77435-R |
| FILTERS | | | | | |
| K9 | Kit, filter-with neoprene/cork 450-43LE | 1 | 98-05 | AE | FK77800C |
| K9 | Kit, filter-with Duraprene® 450-43LE | 1 | 98-05 | AE | DK77800C |
| G125 | Filter, oil screen 450-43LE | 1 | 98-05 | 8-97202-067-0 | 77800C |
| BUSHINGS | | | | | |
| K12 | Kit, bushing 450-43LE | 1 | 98-05 | n/a | K77901C |
| A130 | Bushing pump body | 1 | 98-05 | n/a | 77005 |
| A131 | Bushing pump stator (front) | 1 | 98-05 | n/a | 77020 |
| A132 | Bushing pump stator (rear) | 1 | 98-05 | n/a | 77020 |
| A135 | Bushing overdrive direct housing | 1 | 98-05 | n/a | 77022 |
| B137 | Bushing overdrive planetary | 1 | 98-05 | n/a | 77025 |
| C139 | Bushing forward clutch housing | 1 | 98-05 | n/a | 77027 |
| D143 | Bushing 2nd brake housing | 1 | 98-05 | n/a | 77030 |

450-43LE•450-43LE•450

450-43LE•450-43LE

| ILL | DESCRIPTION | QTY | YEAR | REFERENCE # | PART # |
|-------------------------------------|--|-----|-------|-------------|---------|
| BUSHINGS (CONTINUED) | | | | | |
| E144 | Bushing forward sun gear (front) | 1 | 98-05 | n/a | 77032 |
| E145 | Bushing forward sun gear (rear) | 1 | 98-05 | n/a | 77032 |
| E148 | Bushing output shaft | 1 | 98-05 | n/a | 77035 |
| WASHERS/BEARINGS/RACES/SHIMS | | | | | |
| A155 | Race, thrust pump stator to od direct housing | 1 | 98-05 | n/a | 77312 |
| A156 | Bearing, thrust pump stator to od direct housing | 1 | 98-05 | n/a | 77313 |
| B159 | Race, thrust od sun gear to planetary | 1 | 98-05 | n/a | 77315 |
| B160 | Bearing, thrust od sun gear to planetary | 1 | 98-05 | n/a | 77316 |
| B161 | Race, thrust od sun gear to planetary | 1 | 98-05 | n/a | 77317 |
| B162 | Washer, thrust sprag to sprag washer | 1 | 98-05 | n/a | 77320 |
| B165 | Washer, thrust od sprag outer race | 1 | 98-05 | n/a | 77323 |
| B167 | Bearing, thrust od planetary to hub | 1 | 98-05 | n/a | 77325 |
| B169 | Race, thrust od hub to overdrive housing | 1 | 98-05 | n/a | 77327 |
| B170 | Bearing, thrust od hub to overdrive housing | 1 | 98-05 | n/a | 77328 |
| B171 | Race, thrust od hub to overdrive housing | 1 | 98-05 | n/a | 77329 |
| C173 | Race, thrust forward housing to od housing | 1 | 98-05 | n/a | 77331 |
| C174 | Bearing, thrust forward housing to od housing | 1 | 98-05 | n/a | 77332 |
| C175 | Race, thrust forward housing to od housing | 1 | 98-05 | n/a | 77333 |
| C176 | Washer, shim forward housing to od housing | sel | 98-05 | n/a | 77334 |
| C176 | Washer, shim forward housing to od housing | sel | 98-05 | n/a | 77334A |
| C176 | Washer, shim forward housing to od housing | sel | 98-05 | n/a | 77334B |
| C176 | Washer, shim forward housing to od housing | sel | 98-05 | n/a | 77334C |
| C176 | Washer, shim forward housing to od housing | sel | 98-05 | n/a | 77334D |
| C178 | Race, thrust forward clutch hub forward housing | 1 | 98-05 | n/a | 77336 |
| C179 | Bearing, thrust forward clutch hub forward housing | 1 | 98-05 | n/a | 77337 |
| C182 | Bearing, thrust forward clutch hub to direct housing | 1 | 98-05 | n/a | 77339 |
| C183 | Race, thrust forward clutch hub to direct housing | 1 | 98-05 | n/a | 77340 |
| D186 | Washer, thrust 2nd housing to forward planetary | 1 | 98-05 | n/a | 77345 |
| D187 | Washer, thrust 2nd housing to forward planetary | 1 | 98-05 | n/a | 77346 |
| E189 | Washer, thrust forward planetary to rear planetary | 1 | 98-05 | n/a | 77349 |
| E191 | Washer, thrust forward planetary to rear planetary | 1 | 98-05 | n/a | 77351 |
| E192 | Bearing, thrust rear sun gear to rear hub | 1 | 98-05 | n/a | 77353 |
| E195 | Bearing, thrust rear hub to output shaft | 1 | 98-05 | n/a | 77355 |
| F196 | Bearing, ball output shaft to yoke | 1 | 98-05 | n/a | 77360 |
| G200 | Bearing, caged output shaft support | 1 | 98-05 | n/a | 77365 |
| SNAP RINGS | | | | | |
| A205 | Snap ring overdrive brake pressure plate | 1 | 98-05 | AE | 77619-R |
| A206 | Snap ring overdrive brake apply plate | 1 | 98-05 | AE | 77620-R |
| A208 | Snap ring overdrive direct retainer | 1 | 98-05 | AE | 77622-R |
| B210 | Snap ring overdrive direct pressure plate | 1 | 98-05 | AE | 77624-R |
| B211 | Snap ring overdrive sprag washer | 1 | 98-05 | AE | 77626-R |
| B212 | Snap ring overdrive ring gear hub | 1 | 98-05 | AE | 77628-R |
| B213 | Snap ring overdrive direct retainer | 1 | 98-05 | AE | 77631-R |
| C215 | Snap ring forward clutch retainer | 1 | 98-05 | AE | 77633-R |
| C217 | Snap ring forward clutch hub | 1 | 98-05 | AE | 77635-R |
| D218 | Snap ring direct clutch pressure plate | 1 | 98-05 | AE | 77637-R |
| D219 | Snap ring direct clutch retainer | 1 | 98-05 | AE | 77638-R |
| D221 | Snap ring 2nd brake clutch pressure plate | 1 | 98-05 | AE | 77640-R |
| D223 | Snap ring intermediate shaft | 1 | 98-05 | AE | 77643-R |
| E255 | Snap ring low sprag to case | 1 | 98-05 | AE | 77645-R |
| E226 | Snap ring forward ring gear to planetary | 1 | 98-05 | AE | 77648-R |
| E228 | Snap ring intermediate shaft to rear hub | 1 | 98-05 | AE | 77650-R |
| E229 | Snap ring rear hub to ring gear | 1 | 98-05 | AE | 77651-R |

| ILL | DESCRIPTION | QTY | YEAR | REFERENCE # | PART # |
|-------------------------------|---|-----|-------|-------------|----------|
| SNAP RINGS (CONTINUED) | | | | | |
| E230 | Snap ring intermediate shaft to rear hub | 1 | 98-05 | AE | 77652-R |
| E232 | Snap ring output shaft | 1 | 98-05 | AE | 77653-R |
| F233 | Snap ring low/reverse clutch pressure plate | 1 | 98-05 | AE | 77655-R |
| F235 | Snap ring low/reverse clutch retainer | 1 | 98-05 | AE | 77657-R |
| G237 | Snap ring caged bearing to housing | 1 | 98-05 | AE | 77659-R |
| PUMP PARTS AND PUMPS | | | | | |
| A240 | Pump assembly 450-43LE | 1 | 98-05 | AE | 77200C-R |
| A241 | Body, pump w/gears 450-43LE | 1 | 98-05 | AE | 77300C-R |
| A242 | Gear, pump inner/outer 450-43LE | 1 | 98-05 | n/a | K77201C |
| A244 | Stator, pump support 450-43LE | 1 | 98-05 | AE | 77400C-R |
| HARD PARTS | | | | | |
| A250 | Housing, overdrive direct w/sun gear inner overdrive sprag race | 1 | 98-05 | AE | 77915-R |
| A251 | Piston, overdrive direct clutch 450-43LE | 1 | 98-05 | AE | 77918-R |
| A252 | Retainer, w/springs overdrive direct clutch | 1 | 98-05 | AE | 77919-R |
| B254 | Race, outer overdrive sprag 450-43LE | 1 | 98-05 | AE | 77921-R |
| B256 | Planetary, overdrive w/shaft 450-43LE | 1 | 98-05 | AE | 77923-R |
| B257 | Gear, overdrive ring 450-43LE | 1 | 98-05 | AE | 77926-R |
| B258 | Hub, overdrive ring gear 450-43LE | 1 | 98-05 | AE | 77928-R |
| B260 | Retainer, w/springs overdrive brake clutch | 1 | 98-05 | AE | 77929-R |
| B261 | Piston, overdrive brake clutch 450-43LE | 1 | 98-05 | AE | 77930-R |
| B262 | Housing, overdrive 450-43LE | 1 | 98-05 | AE | 77931-R |
| C264 | Housing, forward clutch 450-43LE | 1 | 98-05 | AE | 77933-R |
| C265 | Piston, forward clutch 450-43LE | 1 | 98-05 | AE | 77935-R |
| C266 | Retainer, w/springs forward clutch | 1 | 98-05 | AE | 77936-R |
| C268 | Hub, forward clutch 450-43LE | 1 | 98-05 | AE | 77937-R |
| D270 | Retainer, w/springs direct clutch | 1 | 98-05 | AE | 77939-R |
| D271 | Piston, direct clutch 450-43LE | 1 | 98-05 | AE | 77940-R |
| D272 | Housing, direct clutch 450-43LE | 1 | 98-05 | AE | 77941-R |
| D274 | Retainer, w/springs 2nd brake clutch | 1 | 98-05 | AE | 77942-R |
| D275 | Piston, 2nd brake clutch 450-43LE | 1 | 98-05 | AE | 77943-R |
| D276 | Housing, 2nd brake clutch 450-43LE | 1 | 98-05 | AE | 77945-R |
| E278 | Gear, forward sun 450-43LE | 1 | 98-05 | AE | 77947-R |
| E280 | Planetary, forward inner low sprag | 1 | 98-05 | AE | 77949-R |
| E281 | Gear, forward ring 450-43LE | 1 | 98-05 | AE | 77951-R |
| E283 | Planetary, rear 450-43LE | 1 | 98-05 | AE | 77953-R |
| E284 | Gear, rear sun 450-43LE | 1 | 98-05 | AE | 77955-R |
| E285 | Shaft, main 450-43LE | 1 | 98-05 | AE | 77957-R |
| E287 | Gear, rear ring 450-43LE | 1 | 98-05 | AE | 77959-R |
| E288 | Hub, rear ring gear 450-43LE | 1 | 98-05 | AE | 77961-R |
| E290 | Shaft, output 450-43LE | 1 | 98-05 | AE | 77965-R |
| F291 | Retainer, w/springs low/reverse clutch | 1 | 98-05 | AE | 77968-R |
| F292 | Piston, low/reverse clutch 450-43LE | 1 | 98-05 | AE | 77969-R |
| G294 | Housing, front (bell housing) 450-43LE | 1 | 98-05 | AE | 77971-R |
| G295 | Housing, main case 450-43LE | 1 | 98-05 | AE | 77973-R |
| G299 | Pan, bottom 450-43LE | 1 | 98-05 | AE | 77974-R |
| G316 | Gear, park 450-43LE | 1 | 98-05 | AE | 77982-R |
| G320 | Housing, extension 450-43LE | 1 | 98-05 | AE | 77985-R |
| G325 | Valve body w/solenoids 450-43LE | 1 | 98-05 | AE | 77994-R |
| | | | | | |
| | | | | | |
| | | | | | |
| | | | | | |
| | | | | | |

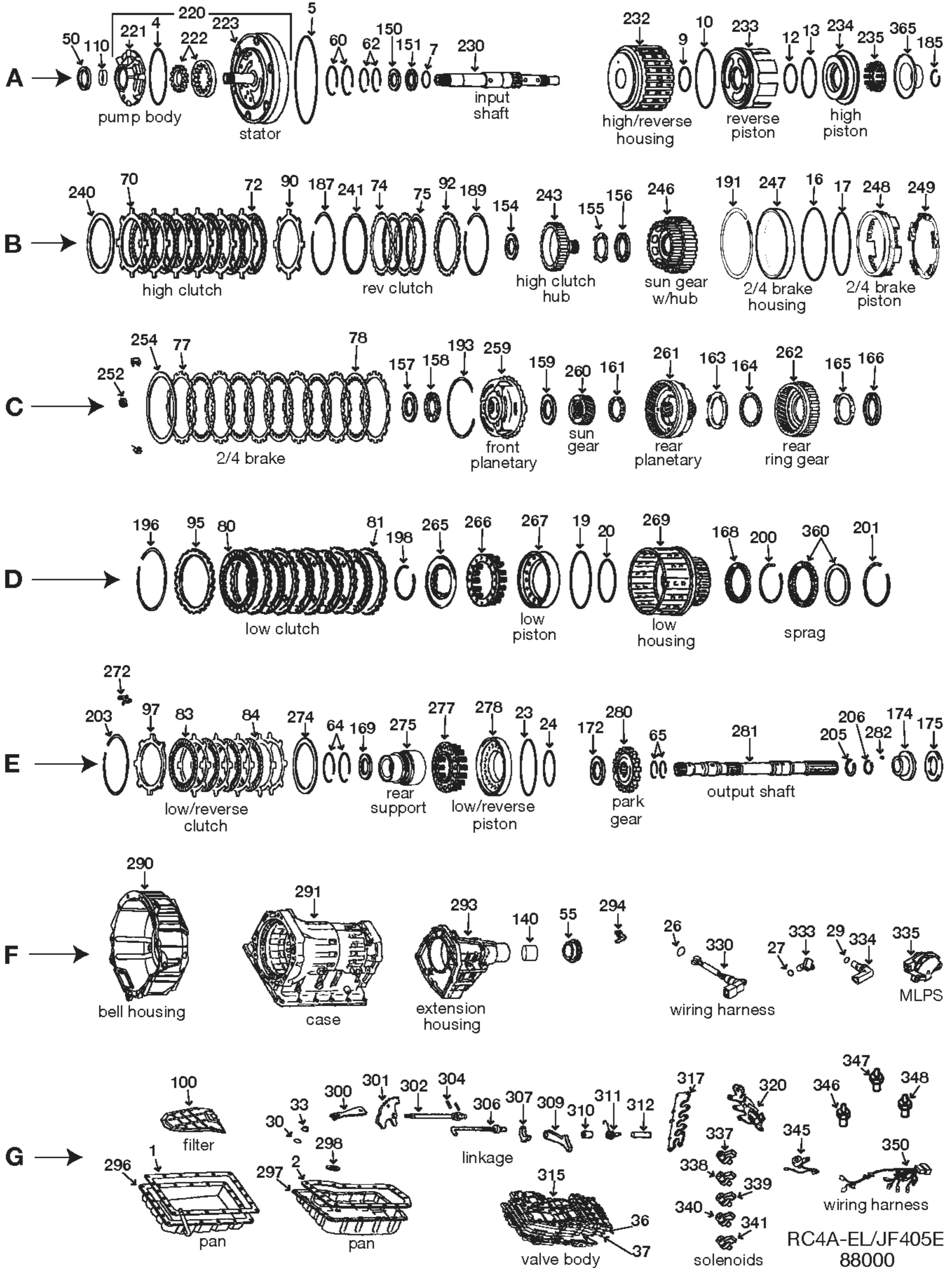
DECIMAL & MILLIMETER EQUIVALENTS

| FRACTION | DECIMAL | MILLIMETER | FRACTION | DECIMAL | MILLIMETER |
|------------|--------------|---------------|------------|--------------|---------------|
| 1/64 | 0.015625 | 0.397 | 33/64 | .515625 | 13.097 |
| 1/32 | .03125 | 0.794 | 17/32 | .53125 | 13.494 |
| 3/64 | .046875 | 1.191 | 25/64 | .546875 | 13.891 |
| 1/16 | .0625 | 1.588 | 9/16 | .5625 | 14.288 |
| 5/64 | .078125 | 1.984 | 37/64 | .578125 | 14.684 |
| 3/32 | .09375 | 2.381 | 19/32 | .59375 | 15.081 |
| 7/64 | .109375 | 2.778 | 39/64 | .609375 | 15.478 |
| 1/8 | .1250 | 3.175 | 5/8 | .6250 | 15.875 |
| 9/64 | .140625 | 3.572 | 41/64 | .640625 | 16.272 |
| 5/32 | .15625 | 3.969 | 21/32 | .65625 | 16.669 |
| 11/64 | .171875 | 4.366 | 43/64 | .671875 | 17.066 |
| 3/16 | .1875 | 4.763 | 11/16 | .6875 | 17.463 |
| 13/64 | .203125 | 5.159 | 45/64 | .703125 | 17.859 |
| 7/32 | .21875 | 5.556 | 23/32 | .71875 | 18.256 |
| 15/64 | .234375 | 5.593 | 47/64 | .734375 | 18.653 |
| 1/4 | .2500 | 6.350 | 3/4 | .7500 | 19.050 |
| 17/64 | .265625 | 6.747 | 49/64 | .765625 | 19.447 |
| 9/32 | .28125 | 7.144 | 25/32 | .78125 | 19.844 |
| 19/64 | .296875 | 7.541 | 51/64 | .796875 | 20.241 |
| 5/16 | .3125 | 7.938 | 13/16 | .8125 | 20.638 |
| 21/64 | .328125 | 8.334 | 53/64 | .828125 | 21.034 |
| 11/32 | .34375 | 8.731 | 27/32 | .84375 | 21.431 |
| 23/64 | .359375 | 9.128 | 55/64 | .859375 | 21.828 |
| 3/8 | .3750 | 9.525 | 7/8 | .8750 | 22.225 |
| 25/64 | .390625 | 9.922 | 57/64 | .890625 | 22.622 |
| 13/32 | .40625 | 10.319 | 29/32 | .90625 | 23.019 |
| 27/64 | .421875 | 10.716 | 59/64 | .921875 | 23.416 |
| 7/16 | .4375 | 11.113 | 15/16 | .9375 | 23.813 |
| 29/64 | .453125 | 11.509 | 61/64 | .953125 | 24.209 |
| 15/32 | .46875 | 11.906 | 31/32 | .96875 | 24.606 |
| 31/64 | .484375 | 12.303 | 63/64 | .984375 | 25.003 |
| 1/2 | .5000 | 12.700 | 1 | 1.000 | 25.400 |

MILLIMETER TO DECIMAL EQUIVALENCES

| MM | INCHES | MM | INCHES | MM | INCHES | MM | INCHES | MM | INCHES | MM | INCHES |
|----|--------|----|--------|----|--------|----|--------|----|--------|-----|--------|
| .1 | .0039 | 11 | .4331 | 30 | 1.1811 | 49 | 1.9291 | 68 | 2.6772 | 87 | 3.4252 |
| .2 | .0079 | 12 | .4724 | 31 | 1.2205 | 50 | 1.9685 | 69 | 2.7165 | 88 | 3.4646 |
| .3 | .0118 | 13 | .5118 | 32 | 1.2598 | 51 | 2.0079 | 70 | 2.7559 | 89 | 3.5039 |
| .4 | .0157 | 14 | .5512 | 33 | 1.2992 | 52 | 2.0472 | 71 | 2.7953 | 90 | 3.5433 |
| .5 | .0197 | 15 | .5906 | 34 | 1.3386 | 53 | 2.0866 | 72 | 2.8346 | 91 | 3.5827 |
| .6 | .0236 | 16 | .6299 | 35 | 1.3780 | 54 | 2.1260 | 73 | 2.8740 | 92 | 3.6220 |
| .7 | .0276 | 17 | .6693 | 36 | 1.4173 | 55 | 2.1654 | 74 | 2.9134 | 93 | 3.6614 |
| .8 | .0315 | 18 | .7087 | 37 | 1.4567 | 56 | 2.2047 | 75 | 2.9528 | 94 | 3.7008 |
| .9 | .0354 | 19 | .7480 | 38 | 1.4961 | 57 | 2.2441 | 76 | 2.9921 | 95 | 3.7402 |
| 1 | .0394 | 20 | .7874 | 39 | 1.5354 | 58 | 2.2835 | 77 | 3.0315 | 96 | 3.7795 |
| 2 | .0787 | 21 | .8268 | 40 | 1.5748 | 59 | 2.3228 | 78 | 3.0709 | 97 | 3.8189 |
| 3 | .1181 | 22 | .8661 | 41 | 1.6142 | 60 | 2.3622 | 79 | 3.1102 | 98 | 3.8583 |
| 4 | .1575 | 23 | .9055 | 42 | 1.6535 | 61 | 2.4016 | 80 | 3.1496 | 99 | 3.8976 |
| 5 | .1969 | 24 | .9449 | 43 | 1.6929 | 62 | 2.4409 | 81 | 3.1890 | 100 | 3.9370 |
| 6 | .2362 | 25 | .9843 | 44 | 1.7323 | 63 | 2.4803 | 82 | 3.2283 | | |
| 7 | .2756 | 26 | 1.0236 | 45 | 1.7717 | 64 | 2.5197 | 83 | 3.2677 | | |
| 8 | .3150 | 27 | 1.0630 | 46 | 1.8110 | 65 | 2.5591 | 84 | 3.3071 | | |
| 9 | .3543 | 28 | 1.1024 | 47 | 1.8504 | 66 | 2.5984 | 85 | 3.3465 | | |
| 10 | .3937 | 29 | 1.1417 | 48 | 1.8898 | 67 | 2.6378 | 86 | 3.3858 | | |

COPYRIGHT © 2011 AUTRY ENTERPRISES LTD.



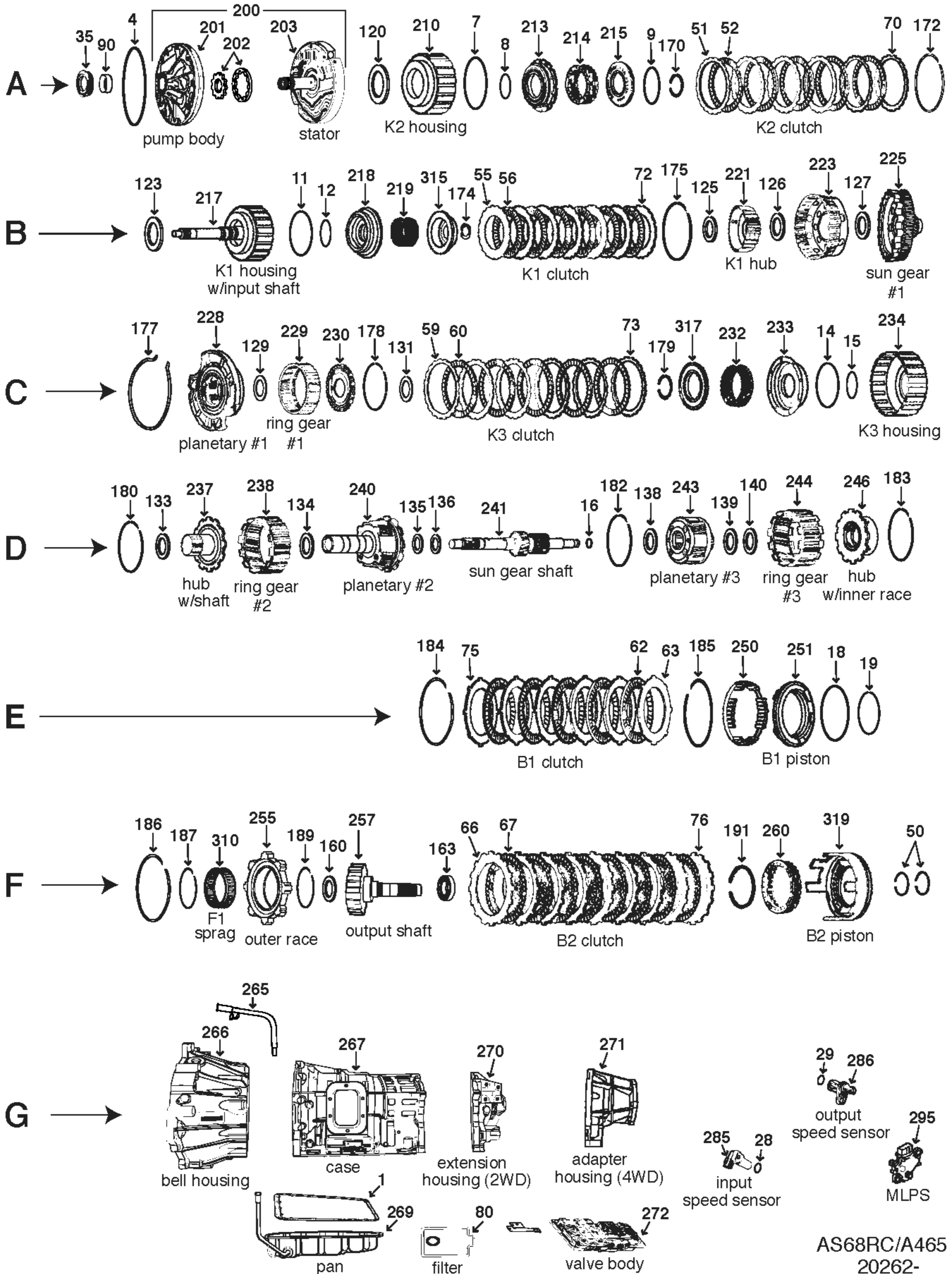
| ILL | DESCRIPTION | | QTY | YEAR | REFERENCE # | PART # |
|--------------------------------------|---------------------------------------|-----------------------------|-----|-------|--------------|-------------|
| TECHNICAL MANUALS | | | | | | |
| K53 | Tech manual JR405E dis/assembly | diagnosis & troubleshooting | 1 | 04-11 | JR405ETM | 010-487 |
| REBUILDER KITS | | | | | | |
| K5 | Master kit with steels | RX8 | 1 | 04-11 | AE | K8800 |
| K6 | Master kit w/o steels | RX8 | 1 | 04-11 | AE | K8800-LS |
| K7 | O/H gasket set w-seals-rings | RX8 | 1 | 04-11 | DP2510 | K88900 |
| VALVE BODY KITS | | | | | | |
| K15 | Kit, valve body repair | RC4A-EL/JR405E | 1 | 02-11 | n/a | K88908 |
| GASKETS AND RUBBER COMPONENTS | | | | | | |
| G1 | Gasket, pan Farpak® | RX8 | 1 | 04-06 | FDB-B11393 | 13126F |
| G2 | Gasket, pan Durprene® | JR405E | 1 | 04-11 | FDB-B11535 | 13127D |
| A4 | O'ring | pump body to support | 1 | 04-11 | BW01-21-032 | 23086 |
| A5 | O'ring | pump support to case | 1 | 04-11 | BW01-21-031 | 23131 |
| G36 | Gasket, upper valve body | RC4A-EL/JR405E | 1 | 04-11 | FDB-B36323 | 23129 |
| G36 | Gasket, lower valve body | RC4A-EL/JR405E | 1 | 04-11 | FDB-B36324 | 23130 |
| n/i | O'ring | case connector | 1 | 04-11 | BW01-21-034 | 23133 |
| n/i | Washer, cooler line fittings | RC4A-EL/JR405E | 4 | 04-11 | 99562-1400 | 23134 |
| n/i | Seal, solenoid isolator | RC4A-EL/JR405E | 5 | 04-11 | FDB-B33344 | 23135 |
| n/i | Seal | valve body to case | 1 | 04-11 | 31528-31X06 | 23034 |
| METAL CLAD SEALS | | | | | | |
| A50 | Seal, metal clad | front | 1 | 04-11 | 31344-21X00 | 68200 |
| A55 | Seal, metal clad 51x38x13mm | extension housing (RC4A-EL) | 1 | 04-11 | M502-17-335A | 78202 |
| F55 | Seal, metal clad | extension housing (JR405E) | 1 | 04-11 | 31375-UK001 | 88201 |
| SEALING RINGS | | | | | | |
| K10 | Kit, sealing ring | RC4A-EL/JR405E | 1 | 04-11 | FDB-3515 | K88903 |
| A60 | Sealing ring | reverse clutch | 2 | 04-11 | BW01-19-655 | 88306 |
| A62 | Sealing ring | high clutch | 2 | 04-11 | 31558-21X00 | 88307 |
| E64 | Sealing ring | low/reverse clutch | 2 | 04-11 | BV11-19-256 | 88308 |
| E65 | Sealing ring | output shaft | 2 | 04-11 | BW01-19-212 | 88309 |
| CLUTCH PLATES | | | | | | |
| B72 | Friction .062" 5.090" od 30T | high clutch | 6 | 04-11 | BW15-19-620 | 78140 |
| B70 | Steel .079" 4.121" id 8T | high clutch | 6 | 04-11 | BW01-19-GE1 | 78141 |
| B74 | Steel .063" 4.916" id 32T | reverse clutch | 2 | 04-11 | BW01-19-571 | 78145 |
| B75 | Friction .061" 5.594" od 30T | reverse clutch | 2 | 04-11 | BW01-18-610 | 78144 |
| C77 | Friction .063" 6.562" od 30T | 2/4 brake | 4 | 04-11 | BW30-19-3V0 | 78142 |
| C78 | Steel .071" 5.694" id 15T | 2/4 brake | 4 | 04-11 | BW60-19-3N4 | 78143 |
| D80 | Friction .068" 5.426" od 30T | low clutch | 5 | 04-11 | BW01-19-5J0A | 75221-35404 |
| D81 | Steel .080" 4.839" id 27T | low clutch | 5 | 04-11 | BW60-19-499 | 78147 |
| E83 | Friction .061" 5.8" od 30T L/R clutch | low/reverse clutch | 4 | 04-11 | BW01-19-590 | 78104A |
| E84 | Steel .079" 5.084" id 20T | low/reverse clutch | 4 | 04-11 | BW01-19-609 | 78149 |
| PRESSURE PLATES | | | | | | |
| B90 | Pressure plate | high clutch | 1 | 04-11 | AE | 88716-R |
| B92 | Pressure plate | reverse clutch | 1 | 04-11 | AE | 88719-R |
| D95 | Pressure plate | low clutch | 1 | 04-11 | AE | 88721-R |
| E97 | Pressure plate | low/reverse clutch | 1 | 04-11 | AE | 88723-R |
| FILTERS | | | | | | |
| K9 | Kit, filter | JR405E | 1 | 04-11 | AE | DK88800 |
| K9 | Kit, filter | RC4A-EL | 1 | 04-06 | AE | FK88800A |
| G100 | Filter | RC4A-EL/JR405E | 1 | 04-11 | n/a | 88800 |
| BUSHINGS | | | | | | |
| K13 | Kit, bushing | RC4A-EL/JR405E | 1 | 04-11 | n/a | K88901 |
| A110 | Bushing 2.130" od | pump body | 1 | 04-11 | 31343-21X01 | 68001 |
| F140 | Bushing | extension housing (RC4A-EL) | 1 | 04-06 | 31332-X8000 | 78008 |

JR405E•RC4A-EL

JR405E•RC4A-EL

| ILL | DESCRIPTION | QTY | YEAR | REFERENCE # | PART # |
|-------------------------------------|------------------------------|-----|-------|-------------|----------------|
| WASHERS/BEARINGS/RACES/SHIMS | | | | | |
| K12 | Kit, thrust bearing | 1 | 04-11 | n/a | K88906 |
| A150 | Race, thrust | 1 | 04-11 | n/a | 88406 |
| A151 | Bearing, thrust | 1 | 04-11 | n/a | 88407 |
| B154 | Bearing, thrust | 1 | 04-11 | n/a | 88410 |
| B155 | Race, thrust | 1 | 04-11 | n/a | 88412 |
| B156 | Bearing, thrust | 1 | 04-11 | n/a | 88413 |
| C157 | Race, thrust | 1 | 04-11 | n/a | 88415 |
| C158 | Bearing, thrust | 1 | 04-11 | n/a | 88416 |
| C159 | Bearing, thrust | 1 | 04-11 | n/a | 88418 |
| C161 | Bearing, thrust | 1 | 04-11 | n/a | 88420 |
| C163 | Bearing, caged | 1 | 04-11 | n/a | 88422 |
| C164 | Bearing, thrust | 1 | 04-11 | n/a | 88423 |
| C165 | Race, thrust | 1 | 04-11 | n/a | 88425 |
| C166 | Bearing, thrust | 1 | 04-11 | n/a | 88426 |
| D168 | Bearing, thrust | 1 | 04-11 | n/a | 88430 |
| E169 | Bearing, thrust | 1 | 04-11 | n/a | 88432 |
| E172 | Bearing, thrust | 1 | 04-11 | n/a | 88435 |
| E174 | Race, thrust (sleeve) | 1 | 04-11 | n/a | 88436 |
| E175 | Bearing, thrust | 1 | 04-11 | n/a | 88437 |
| SNAP RINGS | | | | | |
| A185 | Snap ring | 1 | 04-11 | AE | 88605-R |
| B187 | Snap ring | 1 | 04-11 | AE | 88608-R |
| B189 | Snap ring | 1 | 04-11 | AE | 88610-R |
| B191 | Snap ring | 1 | 04-11 | AE | 88613-R |
| C193 | Snap ring | 1 | 04-11 | AE | 88615-R |
| D196 | Snap ring | 1 | 04-11 | AE | 88618-R |
| D198 | Snap ring | 1 | 04-11 | AE | 88620-R |
| D200 | Snap ring | 1 | 04-11 | AE | 88623-R |
| D201 | Snap ring | 1 | 04-11 | AE | 88625-R |
| E203 | Snap ring | 1 | 04-11 | AE | 88627-R |
| E205 | Snap ring | 1 | 04-11 | AE | 88629-R |
| E206 | Snap ring | 1 | 04-11 | AE | 88630-R |
| PUMP PARTS AND PUMPS | | | | | |
| A220 | Pump assembly | 1 | 04-11 | AE | 88200-R |
| HARD PARTS | | | | | |
| A230 | Shaft, input | 1 | 04-11 | AE | 88915-R |
| A232 | Housing, high/reverse clutch | 1 | 04-11 | AE | 88917-R |
| A233 | Piston, reverse clutch | 1 | 04-11 | AE | 88918-R |
| A234 | Piston, high clutch | 1 | 04-11 | AE | 88919-R |
| A235 | Retainer, w/springs | 1 | 04-11 | AE | 88920-R |
| B240 | Spring, dished | 1 | 04-11 | AE | 88922-R |
| A243 | Hub, high clutch | 1 | 04-11 | AE | 88924-R |
| B246 | Hub, w/sun gear | 1 | 04-11 | AE | 88925-R |
| B247 | Housing, 2/4 brake clutch | 1 | 04-11 | AE | 88926-R |
| B248 | Piston, 2/4 brake clutch | 1 | 04-11 | AE | 88927-R |
| B249 | Retainer, w/springs | 1 | 04-11 | AE | 88928-R |
| C252 | Retainer, 2/4 brake clutch | 3 | 04-11 | AE | 88930-R |
| C254 | Spring, dished | 1 | 04-11 | AE | 88932-R |
| C259 | Planetary, front | 1 | 04-11 | AE | 88935-R |
| C260 | Gear, rear sun | 1 | 04-11 | AE | 88937-R |
| C261 | Planetary, rear | 1 | 04-11 | AE | 88938-R |
| C262 | Gear, rear ring | 1 | 04-11 | AE | 88939-R |
| D265 | Retainer, low clutch | 1 | 04-11 | AE | 88941-R |

| ILL | DESCRIPTION | QTY | YEAR | REFERENCE # | PART # |
|-------------------------------|---|-----|-------|-------------|---------|
| HARD PARTS (CONTINUED) | | | | | |
| D266 | Retainer, w/springs low clutch | 1 | 04-11 | AE | 88942-R |
| D267 | Piston, low clutch RC4A-EL/JR405E | 1 | 04-11 | AE | 88943-R |
| D269 | Housing, low clutch RC4A-EL/JR405E | 1 | 04-11 | AE | 88945-R |
| E272 | Spring, anti-clunk RC4A-EL/JR405E | 1 | 04-11 | AE | 88946-R |
| E274 | Spring, dished low/reverse clutch | 1 | 04-11 | AE | 88947-R |
| E275 | Support, rear RC4A-EL/JR405E | 1 | 05-11 | AE | 88948-R |
| E277 | Retainer, w/springs low/reverse clutch | 1 | 04-11 | AE | 88949-R |
| E278 | Piston, low/reverse clutch RC4A-EL/JR405E | 1 | 04-11 | AE | 88950-R |
| E280 | Gear, park RC4A-EL/JR405E | 1 | 04-11 | AE | 88952-R |
| E281 | Shaft, rear output RC4A-EL/JR405E | 1 | 04-11 | AE | 88954-R |
| F290 | Housing, front RC4A-EL/JR405E | 1 | 04-11 | AE | 88960-R |
| F291 | Housing, main case RC4A-EL/JR405E | 1 | 04-11 | AE | 88965-R |
| F293 | Housing, rear extension RC4A-EL | 1 | 04-06 | AE | 88968-R |
| E293 | Housing, rear extension JR405E | 1 | 04-11 | AE | 88969-R |
| G296 | Pan, bottom RC4A-EL | 1 | 04-06 | AE | 88970-R |
| G297 | Pan, bottom JR405E | 1 | 04-11 | AE | 88971-R |
| G300 | Spring, detent roller RC4A-EL/JR405E | 1 | 04-11 | AE | 88974-R |
| G301 | Cone, rooster RC4A-EL/JR405E | 1 | 04-11 | AE | 88975-R |
| G302 | Shaft, shift RC4A-EL/JR405E | 1 | 04-11 | AE | 88976-R |
| G306 | Rod, park RC4A-EL/JR405E | 1 | 04-11 | AE | 88977-R |
| G309 | Pawl, park RC4A-EL/JR405E | 1 | 04-11 | AE | 88978-R |
| G311 | Spring, park pawl RC4A-EL/JR405E | 1 | 04-11 | AE | 88980-R |
| G312 | Pin, park pawl RC4A-EL/JR405E | 1 | 04-11 | AE | 88981-R |
| G315 | Valve body w/solenoids RC4A-EL | 1 | 04-06 | AE | 88985-R |
| G315 | Valve body w/solenoids JR405E | 1 | 04-11 | AE | 88986-R |
| ELECTRICAL COMPONENTS | | | | | |
| F330 | Harness, internal RC4A-EL/JR405E | 1 | 04-11 | n/a | 16A-148 |
| F333 | Sensor, turbine speed (TSS) RC4A-EL/JR405E | 1 | 04-11 | n/a | 05-140 |
| F334 | Sensor, vehicle speed (VSS) RC4A-EL/JR405E | 1 | 04-11 | n/a | 05-141 |
| G335 | Switch, MLPS (neutral start) RC4A-EL/JR405E | 1 | 04-11 | n/a | 25A-150 |
| G337 | Solenoid, shift (F) RC4A-EL/JR405E | 1 | 04-11 | n/a | 5A-258 |
| G338 | Solenoid, shift (C) RC4A-EL/JR405E | 1 | 04-11 | n/a | 5A-259 |
| G338 | Solenoid, TCC RC4A-EL/JR405E | 1 | 04-11 | n/a | 5A-260 |
| G340 | Solenoid, shift (B) RC4A-EL/JR405E | 1 | 04-11 | n/a | 5A-261 |
| G341 | Solenoid, shift (A) RC4A-EL/JR405E | 1 | 04-11 | n/a | 5A-262 |
| G345 | Solenoid, EPC (pressure control) RC4A-EL/JR405E | 1 | 04-11 | n/a | 5A-263 |
| G346 | Sensor, oil pressure (B) RC4A-EL/JR405E | 1 | 04-11 | n/a | 05-142 |
| G347 | Sensor, oil pressure (C) RC4A-EL/JR405E | 1 | 04-11 | n/a | 05-143 |
| G348 | Sensor, oil pressure (F) RC4A-EL/JR405E | 1 | 04-11 | n/a | 05-144 |
| G350 | Harness, internal RC4A-EL/JR405E | 1 | 04-11 | n/a | 16A-149 |
| SPRAGS | | | | | |
| D360 | Sprag, low/reverse RC4A-EL/JR405E | 1 | 04-11 | n/a | 88502 |
| BONDED PISTONS | | | | | |
| A365 | Piston, balance high clutch | 1 | 04-11 | n/a | 88520 |
| NOTES | | | | | |
| | | | | | |
| | | | | | |
| | | | | | |
| | | | | | |
| | | | | | |
| | | | | | |
| | | | | | |



AS68RC/A465
20262-

| ILL | DESCRIPTION | | QTY | YEAR | REFERENCE # | PART # |
|--------------------------------------|---------------------------------|---------------------------|-----|-------|--------------|-------------|
| TECHNICAL MANUALS | | | | | | |
| K53 | Tech manual AS68RC dis/assembly | diagnosis/troubleshooting | 1 | 07-09 | AS68RC | 010-130 |
| K53 | Tech guide AS68RC | diagnosis/troubleshooting | 1 | 07-09 | AS68RC guide | 010-131 |
| REBUILDER KITS | | | | | | |
| K5 | Master kit w/steels | AS68RC/DG3-Aisin | 1 | 07-09 | AE | 20262-11104 |
| K6 | Master kit w/o steels | AS68RC/DG3-Aisin | 1 | 07-09 | AE | 20262-12104 |
| K7 | O/H gasket set w/seals-rings | AS68RC/DG3-Aisin | 1 | 07-09 | 68040450AA | 20262-13104 |
| K28 | Kit, valve body repair | AS68RC/DG3-Aisin | 1 | 07-10 | n/a | 20262-16004 |
| VALVE BODY KITS | | | | | | |
| K15 | Kit, valve body repair | AS68RC/DG3-Aisin | 1 | 07-10 | n/a | 20262-17009 |
| GASKETS AND RUBBER COMPONENTS | | | | | | |
| G1 | Gasket, pan | AS68RC/DG3-Aisin | 1 | 07-09 | 68020048AA | 20262-20004 |
| A4 | O'ring | pump body | 1 | 07-10 | n/a | 20262-21004 |
| n/i | Gasket, upper cover plate | AS68RC/DG3-Aisin | 1 | 07-10 | n/a | 20262-28504 |
| n/i | Gasket, lower cover plate | AS68RC/DG3-Aisin | 1 | 07-10 | n/a | 20262-28704 |
| n/i | Gasket, upper spacer plate | AS68RC/DG3-Aisin | 1 | 07-10 | n/a | 20262-28904 |
| n/i | Gasket, lower spacer plate | AS68RC/DG3-Aisin | 1 | 07-10 | n/a | 20262-29104 |
| METAL CLAD SEALS | | | | | | |
| A35 | Seal, metal clad | pump seal (front seal) | 1 | 07-10 | n/a | 20262-30104 |
| n/i | Seal, metal clad | extension housing (2WD) | 1 | 07-10 | n/a | 20262-30504 |
| n/i | Seal, metal clad | adapter housing | 1 | 07-10 | n/a | 20262-30604 |
| SEALING RINGS | | | | | | |
| K10 | Kit, sealing ring | AS68RC/DG3-Aisin | 1 | 07-10 | n/a | 20262-31504 |
| CLUTCH PLATES | | | | | | |
| A51 | Steel | K2 clutch | 5 | 07-09 | 68019747AA | 20262-37504 |
| A52 | Friction | K2 clutch | 5 | 07-09 | 68019793AA | 20262-35104 |
| B55 | Steel | K1 clutch | 6 | 07-09 | 68019775AA | 20262-37604 |
| B56 | Friction | K1 clutch | 6 | 07-09 | 68019774AA | 20262-35204 |
| C59 | Steel | K3 clutch | 6 | 07-09 | 68019747AA | 20262-37504 |
| C60 | Friction | K3 clutch | 5 | 07-08 | 68019745AA | 20262-35304 |
| E62 | Friction | B1 brake | 5 | 07-09 | 68019839AA | 20262-35404 |
| E63 | Steel | B1 brake | 4 | 07-09 | 68019838AA | 20262-37804 |
| F66 | Steel | B2 brake | 7 | 07-09 | 68019848AA | 20262-37904 |
| F67 | Friction | B2 brake | 8 | 07-09 | 68019853AA | 20262-35504 |
| PRESSURE PLATES | | | | | | |
| A70 | Pressure plate | K2 clutch | 1 | 07-10 | AE | 20262-41103 |
| B72 | Pressure plate | K1 clutch | 1 | 07-10 | AE | 20262-41403 |
| C73 | Pressure plate | K3 clutch | 1 | 07-10 | AE | 20262-41804 |
| E75 | Pressure plate | B1 clutch | 1 | 07-10 | AE | 20262-42304 |
| F76 | Pressure plate | B2 clutch | 1 | 07-10 | AE | 20262-42704 |
| FILTERS | | | | | | |
| K9 | Kit, filter | Aisin | 1 | 07-09 | AE | 20262-44504 |
| G80 | Filter, oil screen | Aisin | 1 | 07-09 | 68019688AA | 20262-45004 |
| BUSHINGS | | | | | | |
| K13 | Kit, bushing | AS68RC/DG3-Aisin | 1 | 07-10 | n/a | 20262-50004 |
| A90 | Bushing | pump body | 1 | 07-10 | n/a | 20262-50604 |
| WASHERS/BEARINGS/RACES/SHIMS | | | | | | |
| K12 | Kit, thrust bearing | AS68RC/DG3-Aisin | 1 | 07-10 | n/a | 20262-55104 |
| A120 | Washer, thrust | pump stator to K2 housing | 1 | 07-10 | 68019287AA | 20262-56104 |
| B123 | Race, thrust | K2 housing to K2 housing | sel | 07-10 | 68019766AA | 20262-56404 |
| B125 | Bearing, thrust | K1 hub to K1 housing | 1 | 07-10 | 68019764AA | 20262-56604 |
| B126 | Bearing, thrust | K1 hub to hub | 1 | 07-10 | 68019902AA | 20262-56804 |
| B127 | Bearing, thrust | hub to sun gear #1 | 1 | 07-10 | n/a | 20262-56904 |

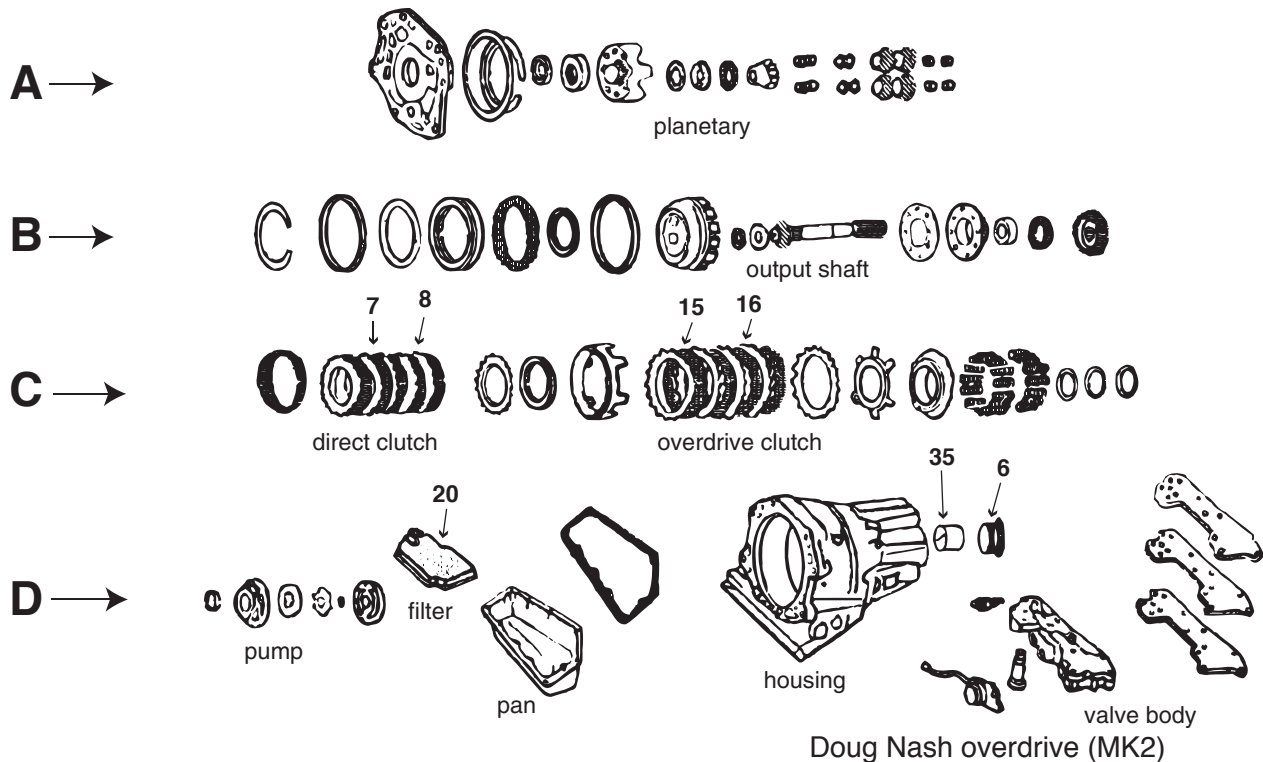
AS68RC•DG3-Aisin

AS68RC•DG3-Aisin

| ILL | DESCRIPTION | QTY | YEAR | REFERENCE # | PART # |
|---|--|-----|-------|-------------|-------------|
| WASHERS/BEARINGS/RACES/SHIMS (CONTINUED) | | | | | |
| C129 | Bearing, thrust planetary #1 to hub | 1 | 07-10 | n/a | 20262-57404 |
| C131 | Bearing, thrust hub to K3 housing | 1 | 07-10 | n/a | 20262-57804 |
| D133 | Bearing, thrust hub with shaft to K3 housing | 1 | 07-10 | n/a | 20262-58004 |
| D134 | Bearing, thrust hub with shaft to planetary #2 | 1 | 07-10 | n/a | 20262-58304 |
| D135 | Bearing, thrust planetary #2 to sun gear shaft | 1 | 07-10 | n/a | 20262-58504 |
| D136 | Bearing, thrust planetary #2 to sun gear shaft | 1 | 07-10 | n/a | 20262-58704 |
| D138 | Bearing, thrust sun gear shaft to planetary #3 | 1 | 07-10 | n/a | 20262-59004 |
| D139 | Bearing, thrust planetary #3 to ring gear | 1 | 07-10 | n/a | 20262-59204 |
| D140 | Bearing, thrust planetary #3 to hub | 1 | 07-10 | n/a | 20262-59404 |
| F160 | Bearing, thrust output shaft to inner race | 1 | 07-10 | n/a | 20262-60104 |
| F163 | Bearing, ball type AS68RC/DG3-Aisin | 1 | 07-10 | n/a | 20262-60504 |
| SNAP RINGS | | | | | |
| A170 | Snap ring K2 retainer | 1 | 07-10 | n/a | 20262-62503 |
| A172 | Snap ring K2 pressure plate | 1 | 07-10 | n/a | 20262-62803 |
| B174 | Snap ring K1 retainer | 1 | 07-10 | n/a | 20262-62903 |
| B175 | Snap ring K1 pressure plate | 1 | 07-10 | n/a | 20262-63003 |
| C177 | Snap ring planetary #1 | 1 | 07-10 | n/a | 20262-63203 |
| C178 | Snap ring ring gear #1 hub | 1 | 07-10 | n/a | 20262-63503 |
| C179 | Snap ring K3 retainer | 1 | 07-10 | n/a | 20262-63703 |
| D180 | Snap ring hub to ring gear #2 | 1 | 07-10 | n/a | 20262-64003 |
| D182 | Snap ring planetary #2 to ring gear #3 | 1 | 07-10 | n/a | 20262-64203 |
| D183 | Snap ring outer sprag race to ring gear #3 | 1 | 07-10 | n/a | 20262-64403 |
| E184 | Snap ring B1 pressure plate | 1 | 07-10 | n/a | 20262-64603 |
| E185 | Snap ring B1 retainer | 1 | 07-10 | n/a | 20262-64803 |
| F186 | Snap ring outer sprag to case | 1 | 07-10 | n/a | 20262-65003 |
| F187 | Snap ring sprag to outer race | 1 | 07-10 | n/a | 20262-65203 |
| F189 | Snap ring sprag to outer race | 1 | 07-10 | n/a | 20262-65203 |
| F161 | Snap ring B2 retainer | 1 | 07-10 | n/a | 20262-65503 |
| PUMP PARTS AND PUMPS | | | | | |
| A200 | Pump assembly AS68RC/DG3-Aisin | 1 | 07-10 | AE | 20262-67003 |
| A201 | Body, pump w/gears AS68RC/DG3-Aisin | 1 | 07-10 | AE | 20262-67503 |
| A202 | Gears, pump AS68RC/DG3-Aisin | 1 | 07-10 | n/a | 20262-68104 |
| A203 | Stator, pump AS68RC/DG3-Aisin | 1 | 07-10 | AE | 20262-68503 |
| HARD PARTS | | | | | |
| A210 | Housing, K2 clutch AS68RC/DG3-Aisin | 1 | 07-10 | 68025948AA | 20262-72103 |
| A213 | Piston, K2 clutch AS68RC/DG3-Aisin | 1 | 07-10 | 68019795AA | 20262-72303 |
| A214 | Retainer, w/springs K2 clutch AS68RC/DG3-Aisin | 1 | 07-10 | 68019792AA | 20262-72503 |
| A215 | Piston, balance K2 clutch AS68RC/DG3-Aisin | 1 | 07-10 | 68019796AA | 20262-72603 |
| B217 | Housing, w/shaft K1 clutch AS68RC/DG3-Aisin | 1 | 07-10 | 68019771AA | 20262-72703 |
| B218 | Piston, K1 clutch AS68RC/DG3-Aisin | 1 | 07-10 | 68019772AA | 20262-72903 |
| B219 | Retainer, w/springs K1 clutch AS68RC/DG3-Aisin | 1 | 07-10 | 68019770AA | 20262-73103 |
| B221 | Hub, K1 clutch AS68RC/DG3-Aisin | 1 | 07-10 | 68019785AA | 20262-73303 |
| B223 | Hub, K2 clutch AS68RC/DG3-Aisin | 1 | 07-10 | 68019788AA | 20262-73503 |
| B225 | Gear, #1 sun AS68RC/DG3-Aisin | 1 | 07-10 | 68025949AA | 20262-73703 |
| C228 | Planetary, #1 AS68RC/DG3-Aisin | 1 | 07-10 | 68019892AA | 20262-74003 |
| C229 | Gear, #1 ring AS68RC/DG3-Aisin | 1 | 07-10 | 68019866AA | 20262-74203 |
| C230 | Hub, #1 ring gear AS68RC/DG3-Aisin | 1 | 07-10 | 68019867AA | 20262-74403 |
| C233 | Retainer, w/springs K3 clutch AS68RC/DG3-Aisin | 1 | 07-10 | 68019792AA | 20262-74603 |
| C232 | Piston, K3 clutch AS68RC/DG3-Aisin | 1 | 07-10 | 68019795AA | 20262-74703 |
| C234 | Housing, K3 clutch AS68RC/DG3-Aisin | 1 | 07-10 | 68025948AA | 20262-74803 |
| D237 | Hub, w/shaft #2 ring gear AS68RC/DG3-Aisin | 1 | 07-10 | 68019889AA | 20262-75003 |
| D238 | Gear, #2 ring AS68RC/DG3-Aisin | 1 | 07-10 | 68019875AA | 20262-75203 |
| D240 | Planetary, #2 AS68RC/DG3-Aisin | 1 | 07-10 | 68019893AA | 20262-75403 |

Doug Nash overdrive (MK2)

Doug Nash overdrive (MK2)



Doug Nash overdrive (MK2) 30000

REBUILDER KITS

| | | | | | | |
|----|------------------------------|------------------|---|-------|----|------------------|
| K5 | Master kit w/steels | MK2 Doug-Nash OD | 1 | 84-85 | AE | K3000 |
| K5 | Master kit w/steels | MK2 Doug-Nash OD | 1 | 86-88 | AE | K3000A |
| K6 | Master kit w/o steels | MK2 Doug-Nash OD | 1 | 84-85 | AE | K3000-LS |
| K6 | Master kit w/o steels | MK2 Doug-Nash OD | 1 | 86-88 | AE | K3000A-LS |
| K7 | O/H gasket set w/seals-rings | MK2 Doug-Nash OD | 1 | 84-88 | AE | K30900 |

METAL CLAD SEALS

| | | | | | | |
|----|-----------------------------|-------------------|---|-------|---------|--------------|
| D6 | Seal, metal clad 60x38x12mm | extension housing | 1 | 84-88 | 3932255 | 8850B |
|----|-----------------------------|-------------------|---|-------|---------|--------------|

CLUTCH PLATES

| | | | | | | |
|-----|---------------------------------------|-------------------|-----|-------|----------|---------------|
| C7 | Friction .072" 5.279" od 48T (smooth) | direct (small) | 5/6 | 84-85 | 14081192 | 30103 |
| C7 | Friction .072" 5.279" od 48T (waffle) | direct (small) | 5/6 | 86-88 | 14105930 | 30105 |
| C8 | Steel .071" 4.103" id 30T | direct (small) | 5/6 | 84-85 | 14081193 | 30100 |
| C8 | Steel .061" 4.103" id 30T | direct (small) | 4 | 86-88 | 14105931 | 30104 |
| C8 | Steel .051" 4.103" id 30T | direct (small) | ar | 86-88 | 14105941 | 30108 |
| C15 | Friction .092" 6.560" od (smooth) | overdrive (large) | 4/5 | 84-85 | 14082705 | 30106 |
| C15 | Friction .092" 6.560" od (waffle) | overdrive (large) | 4 | 86-88 | 14105933 | 30107 |
| C16 | Steel .071" 5.696" id 24T | overdrive (large) | 4 | 84-85 | 14082706 | 30101 |
| C16 | Steel .061" 5.696" id 24T | overdrive (large) | 5 | 86-88 | 14105934 | 30101A |

FILTERS

| | | | | | | |
|-----|------------------------|------------------|---|-------|----------|--------------|
| D20 | Filter, screen (brass) | MK2 Doug-Nash OD | 1 | 84-88 | 14082735 | 6582D |
|-----|------------------------|------------------|---|-------|----------|--------------|

BUSHINGS

| | | | | | | |
|-----|----------------------------|------------------|---|-------|---------|--------------|
| D35 | Bushing (babbit) 1.626" od | MK2 Doug-Nash OD | 1 | 84-88 | 6260048 | 8008A |
|-----|----------------------------|------------------|---|-------|---------|--------------|

NOTES



Automatic Transmission Parts Replacement Catalog

Limited Warranty

All products supplied are guaranteed to be free from manufacturing defects for 1 year or 12,000 miles, whichever comes first. Any and all parts claimed to be defective must be returned freight prepaid for inspection. Warranty is limited to the replacement of parts only. We will not honor claims for labor or other damages that may occur.

This warranty does not apply to any product that has been misused, altered in any way, or subjected to excessive operating conditions beyond the manufacturer's control, specifications, or instructions. All returns must have prior company approval and authorization.

Important Notice

While the utmost care has been used in compiling reliable information in this catalog, we cannot assume any responsibility for errors, omissions, the inaccuracy of data or misapplications supplied to us. All parts shown within are intended for replacement purposes only. The use of original equipment manufacturer's part number and terminology is solely for the purpose of clarification and to help simplify selection for the proper replacement part.

NEW PART NO 50185

BorgWarner PART NO. 50185

OEM Heavy Duty Replacement
Governor Pressure Solenoid fits
Dodge/Jeep 42/44/46/47/48 RE transmissions



BorgWarner carries a full line of OEM quality clutch plates, transmission bands, one-way clutches, and electronic transmission solenoids that are 100% guaranteed to fit your rebuilds.

We're stable under pressure.

BorgWarner's new Governor Pressure Solenoid will not flood out at increased line pressures and can be used in modified and high performance transmissions as well as stock units. It delivers all the benefit of much more expensive aftermarket solenoid adapter kits for just the price of a solenoid, and with better reliability and no extra parts to change out.

The extra size gives you more **magnet force, more spool valve force, 15% more flow capacity than the OE brand**, all of which adds up to a wide safety margin of stable pressure to ensure reliable shifting under all conditions.

Call your authorized distributor today and ask for genuine OEM quality solenoids from the global leader in automatic transmission technology...BorgWarner Inc.



The BorgWarner Indianapolis 500 Trophy is a registered trademark of BorgWarner Inc.



Check out this rebuilding tool.

It's convenient, informative and free!

New!
Online Catalog



Technical Inserts

Inside TransTec® kits you'll find technical literature with illustrations that simplify rebuilding transmissions.



Technical Bulletins

Written by transmission professionals for transmission professionals to clear up confusion and simplify rebuilding complex transmissions.

Online Transmission Catalog Now Available!

Check out the online version of the TransTec® transmission catalog. You'll find the latest kits and components with daily updates.



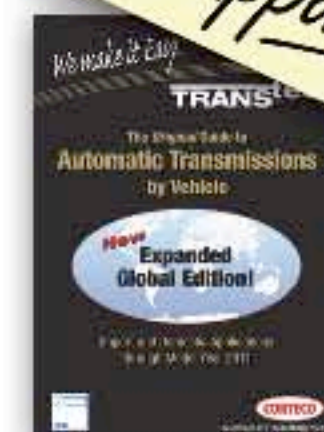
www.TransTec.com

Visit www.TransTec.com and you'll find feature-rich resources like our new Online Transmission Catalog with the latest kits and components, technical information organized by transmission, a Transmission-by-Vehicle Guide, New Product Announcements, Technical Bulletins and more. The days of searching through piles of papers and manuals are a thing of the past.

Simply click on the type of reference material you want and view them on screen or download them for printing.

So take a close look at www.TransTec.com and see what we have to offer. You'll find this convenient, informative tool is indispensable.

Includes
Global
Applications



Transmission Guide

This convenient reference, now available on-line, makes it easy to determine which automatic transmission is in a specific domestic or import vehicle.



New Product Announcements

advise of the latest developments in rebuilding.



TRANstec®

We make it Easy.

T: 419.499.2502 • F: 419.499.2804 • www.TransTec.com • Milan, OH 44846



A Division of Freudenberg-NOK