

Blue Book

Ford/Pickup

Merkur

Infiniti

Nissan

Lincoln

Subaru

Mazda

Miscellaneous

Mercury



Transmission Fluid Protection & Conversion Products



MULTI-VEHICLE PROTECTANT/SUPPLEMENT PT#6900

- Smart Blend TITANIUM takes the guess work out of converting ATFs because it works in all Transmission types except Ford Type F and CVT applications.
- Prevents and instantly stops torque converter shudder
- Ensures and maintains proper shifts
- Dramatically reduces wear on internal components
- Prevents overheating, foaming and oxidation
- Extends frictional stability and fluid change intervals

FULLY FORMULATED CVT FLUID PT#3100

- Suitable for use in ALL Continuously Variable Transmission (CVT) applications
- Optimized for excellent metal to metal friction performance
- Provides advanced wear protection, anti-shudder performance and oxidation stability
- Excellent low temperature fluidity for proper operation in cold weather conditions



ATF PROTECTANT PT#4001

- Prevents & Instantly Eliminates Torque Converter Lock-Up Shudder
- Prevents Overheating and Oxidation
- Keeps Valves & Governors Free
- Protects and Coats Gears & Pumps
- Extends Fluid Life

Also Available in a 2-Step Clean & Protect Kit PT#4300S



HIGHLY FRICTION MODIFIED (HFM) SUPPLEMENT PT#6001

- Eliminates the Need for Multiple OEM Fluids
- Big Profit Increase, Saves Money \$\$\$
- Prevents Overheating & Fluid Oxidation
- Keeps Valves & Governors Free
- Softens Hard Shifting & Extends Fluid Life
- Prevents Torque Converter Lock Up Shudder

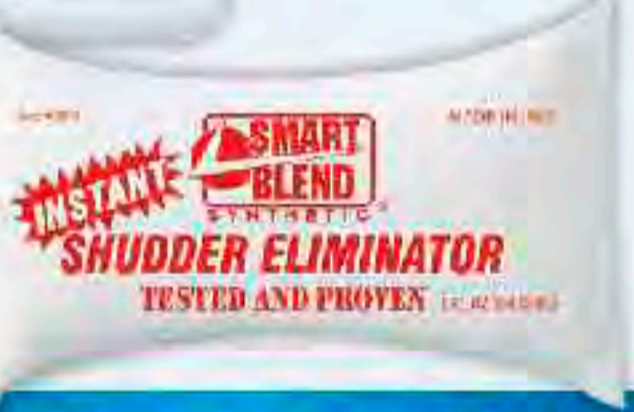


FLUID FLUSH PT#4200

- Safely Removes Light Varnish and Other Deposits
- Prepares Transmission for New Fluid
- Cleans All Internal Transmission Components
- Contains No Alcohol or Damaging Chemicals (Totally Safe)

M-V SUPPLEMENT PT#6500

- Converts Dexron III® /Mercon® Automatic Transmission Fluid (ATF) into a Mercon V® Type Fluid.
- Saves Time & Money, Eliminates the Need to Stock Mercon V® Fluid.
- Prevents Torque Converter Lock-Up Shudder.
- Improves Low Temperature Shifting.
- Extends Frictional Stability and Life of the Fluid.



SHUDDER ELIMINATOR PT#3800

- Instantly Eliminates Torque Converter Shudder
- Restores Key Friction Modifiers Lost Due to Heat and Excessive Mileage



D-VI SUPPLEMENT PT#6700

- Converts Dexron III® /Mercon® Automatic Transmission Fluid (ATF) into a Highly Stable Fluid such as DEXRON VI®.
- Saves Time & Money. Only Need to Stock Dexron III® /Mercon® Fluid
- STOPS Torque Converter Shudder Instantly
- Extends Frictional Stability and Fluid Life.
- Creates Longer Service Intervals.
- Softens Hard Shifts.

CONTENT INDEX

TRANSMISSION	TYPE		SERIES	PAGE
ATX	3 SPD	FWD/AWD	57000	2
F3A	3 SPD	FWD	65000	8
AXOD•E•AX4N•4F50N	4 SPD	FWD	67000/B	12
CD4E•LA4A-EL	4 SPD	FWD	89000	24
4EAT•F•F4A-EL•IF4E-F4E-111	4 SPD	FWD	85000/B	30
4EAT•G•G4A-EL•HL•GF4A-EL	4 SPD	FWD	76000	34
RL•RN3F01A	3 SPD	FWD	64000	38
RE•RL•RN4F02A	4 SPD	FWD	68000	42
RL4F03A•V•RE4F03A•B•W	4 SPD	FWD	91000	46
RE4F04A•4F20E	4 SPD	FWD	90000	50
4F27E•FN4A-EL	4 SPD	FWD	79000	54
FS5A-EL•FNR5•J13R	5 SPD	FWD	75220-	60
CFT30	CVT	FWD/AWD	15159-	62
TF-81SC•AF21•AW6A-EL•AM6	6 SPD	FWD/AWD	75250-	66
6F50•6F55	6 SPD	FWD/AWD	15153-	72
6F35	6 SPD	FWD/AWD	15268-	78
AW55-50SN•AF33-5•AF23-5•RE5F22A•AW235	5 SPD	FWD/AWD	97249-	84
JF403E•LJ4A-EL	4 SPD	FWD	81000/A	88
JF506E•JA5A-EL•RE5F01A	5 SPD	FWD/AWD	75221-	92
ECVT	CVT	FWD/AWD	80000	98
RE0F09A/B•JF010E	CVT	FWD/AWD	82229-	100
JF011E	CVT	AWD	82230-	104
FMX•CW•BW8•BW12•R12	3 SPD	RWD	600M/N/V/W	108
BW35•T35•BW35TB•37TB•BW65•66	3 SPD	RWD	19000/47000/58000	112
C3	3 SPD	RWD/4x4	27000	116
C4•C5	3 SPD	RWD/4x4	26000/M	120
C6	3 SPD	RWD/4x4	36000	126
AOD•E•4R70W•75W•4R70E•75E	4 SPD	RWD/4x4	53000/A/B	132
A4LD•4R44E•4R55E•5R55E	4/5 SPD	RWD/4x4	27000D/E/G/H	140
E4OD•4R100	4 SPD	RWD/4x4	10000	148
5R55N•W•S	5 SPD	RWD/4x4	17000/A	156
5R110W (TorqShift)	5 SPD	RWD/4x4	15157-	162
6R60•70•75	6 SPD	RWD/4X4	15158-	170
6R80•6R90	6 SPD	RWD/4WD	15269-	176
ZF6HP26	6 SPD	RWD	45158-	178
6R140	6 SPD	RWD/4WD	15267-	184
L3N71B•L4N71B•N4AEL	3/4 SPD	RWD	45000/A/B/C	186
M41-A	3 SPD	RWD/AWD	52000	192
ZF4HP22•24-A	4 SPD	RWD/AWD	56000D/E/M	196
JR403E•RG4R01A	4 SPD	RWD	33000	200
RE4R01A•R4A-EL	4 SPD	RWD/4x4	78000	204
RE4R03A	4 SPD	RWD	73000	210
JR405E•RC4A-EL	5 SPD	RWD	88000	214
A40•41•42•AW70•71•A44D•DL•DE•A46DE	3/4 SPD	RWD/4x4	46000/A/D/E/F/G/J/K	218
4EAT•R4A-EL•4-ATAXLE	4 SPD	RWD/AWD	84000/D	222
RE5R01A•JR506E	5 SPD	RWD/AWD	82216-	228
RE5R05A•A5SR2•JR507E	5 SPD	RWD/AWD	68217-	230
5EAT	5 SPD	AWD	92233-	236
SJ6A-EL•TB-65SN	6 SPD	RWD	75222-	240
CVT-P310•Q211	ECVT	FWD/AWD	95240-	246
NOTES				

VEHICLE TO TRANSMISSION INDEX

INDEX

MODEL NAME	ENGINE	YEAR	TRANSMISSION	PAGE
FORD/PICKUP				
2000E	various	74-74	C4•C5	120
2000E	various	75-81	C3	116
Aerostar	various	82-86	C4•C5	120
Aerostar	various	85-95	A4LD•4R44E•4R55E•5R55E	140
Aerostar	V/6 3.0L	96-97	A4LD•4R44E•4R55E•5R55E	140
Aerostar	V/6 4.0L	96-96	A4LD•4R44E•4R55E•5R55E	140
Aerostar	V/6 4.0L	97-97	A4LD•4R44E•4R55E•5R55E	140
Aspire	L/4 1.3L	94-97	F3A	8
Bronco	various	73-81	C4•C5	120
Bronco	various	74-93	C6	126
Bronco	various	81-94	AOD•E•4R70W•75W•4R70E•75E	132
Bronco	V/8 5.0L/5.8L	89-96	E4OD•4R100	148
Bronco II	various	84-84	C4•C5	120
Bronco II	various	85-90	A4LD•4R44E•4R55E•5R55E	140
Contour	L/4 2.0L V/6 2.5L	95-00	CD4E•LA4A-EL	24
Corsair	various	63-73	BW35•T35•BW35TB•37TB•BW65•66	112
Cortina	various	68-73	BW35•T35•BW35TB•37TB•BW65•66	112
Cortina	various	74-87	C3	116
Cortina	various	74-74	C4•C5	120
Courier	various	72-75	BW35•T35•BW35TB•37TB•BW65•66	112
Courier	various	73-82	L3N71B•L4N71B•N4AEL	186
Crown Victoria	various	80-80	C6	126
Crown Victoria	various	81-92	AOD•E•4R70W•75W•4R70E•75E	132
Crown Victoria	various	92-95	AOD•E•4R70W•75W•4R70E•75E	132
Crown Victoria	V/8 4.6L	95-06	AOD•E•4R70W•75W•4R70E•75E	132
Crown Victoria	V/8 4.6L	07-08	AOD•E•4R70W•75W•4R70E•75E	132
Econoline 150	V/6 4.2L V/8 4.8L/5.0L/5.4L	95-03	AOD•E•4R70W•75W•4R70E•75E	132
Econoline 150	L/6 4.9L V/8 5.8L	95-96	C6	126
Econoline 150	L/6 4.9L V/8 5.4L/5.8L	96-97	E4OD•4R100	148
Econoline 150	V/8 5.8L	98-00	E4OD•4R100	148
Econoline 150	V/8 4.6L	04-10	AOD•E•4R70W•75W•4R70E•75E	132
Econoline 150	V/8 5.4L	04-10	AOD•E•4R70W•75W•4R70E•75E	132
Econoline 250	V/8 5.8L	73-95	C6	126
Econoline 250	V/6 4.2L V/8 5.4L	97-01	AOD•E•4R70W•75W•4R70E•75E	132
Econoline 250/250 SD	V/8 5.4L/5.8L 7.3L(D) V/10 6.8L	95-97	E4OD•4R100	148
Econoline 250/250 SD	V/8 5.4L 7.3L (D) V/10 6.8L	98-01	E4OD•4R100	148
Econoline 350	various	73-96	C6	126
Econoline 350 SD	V/8 5.4L	03-03	AOD•E•4R70W•75W•4R70E•75E	132
Econoline 350 SD	V/8 7.3 diesel V/10 6.8L	03-03	E4OD•4R100	148
Econoline 350 SD	V/8 5.4L	04-05	E4OD•4R100	148
Econoline 350 SD	V/8 6.0L diesel V/10 6.8L	04-10	5R110W (TorqShift)	162
Econoline 350 SD	V/8 5.4L	06-10	AOD•E•4R70W•75W•4R70E•75E	132
Econoline 350/350 SD	V/8 5.4L/7.5L 7.3L(D) V/10 6.8L	95-97	E4OD•4R100	148
Econoline 350/350 SD	V/8 5.4L 73L (D) V/10 6.8L	98-02	E4OD•4R100	148
Edge	V/6 3.5L	07-10	6F50•6F55	72
Escape	L/4 2.0L/2.3L V/6 3.0L	01-08	CD4E•LA4A-EL	24
Escape	L/4 2.0L V/6 3.0L	09-11	6F35	78
Escape Hybrid	L/4 2.3L	04-06	CVT-P310•Q211	246
Escort/ZX2	various	81-90	ATX	2
Escort/ZX2	L/4 1.8L/1.9L/2.0L	91-96	4EAT-F•F4A-EL•IF4E-F4E-111	30
Escort/ZX2	various	97-97	4EAT-F•F4A-EL•IF4E-F4E-111	30
Escort/ZX2	various	98-03	4EAT-F•F4A-EL•IF4E-F4E-111	30
Excursion	V/8 5.4L 7.3L diesel V/10 6.8L	00-05	E4OD•4R100	148

VEHICLE TO TRANSMISSION INDEX

MODEL NAME	ENGINE	YEAR	TRANSMISSION	PAGE
Excursion	V/8 6.0L diesel	03-05	5R110W (TorqShift)	162
EXP	various	82-85	ATX	2
Expedition	V/8 4.6L	96-97	E4OD•4R100	148
Expedition	V/8 5.4L	96-98	E4OD•4R100	148
Expedition	V/8 4.6L/5.4L	97-04	AOD•E•4R70W•75W•4R70E•75E	132
Expedition	V/8 5.4L	98-02	E4OD•4R100	148
Expedition	V/8 4.6L	05-05	AOD•E•4R70W•75W•4R70E•75E	132
Expedition	V/8 5.4L	05-06	AOD•E•4R70W•75W•4R70E•75E	132
Expedition	V/8 5.4L	07-10	6R60•70•75	170
Explorer	V/6 2.9L/4.0L	91-94	A4LD•4R44E•4R55E•5R55E	140
Explorer	V/6 4.0L	95-96	A4LD•4R44E•4R55E•5R55E	140
Explorer	V/8 5.0L	96-01	AOD•E•4R70W•75W•4R70E•75E	132
Explorer	V/6 4.0L	97-01	A4LD•4R44E•4R55E•5R55E	140
Explorer	V/6 4.0L V/8 4.6L	02-03	5R55N•W•S	156
Explorer	V/6 4.0L V/8 4.6L	04-10	5R55N•W•S	156
Explorer Sport/Sport Trac	V/6 4.0L	01-05	A4LD•4R44E•4R55E•5R55E	140
Explorer Sport/Sport Trac	V/8 4.6L	06-10	6R60•70•75	170
Explorer Sport/Sport Trac	V/6 4.0L	06-10	5R55N•W•S	156
F-100	various	65-81	C4•C5	120
F-100	various	74-77	FMX•CW•BW8•BW12•R12	108
F-100	various	81-83	AOD•E•4R70W•75W•4R70E•75E	132
F-100	various	82-83	C4•C5	120
F-150	various	75-77	FMX•CW•BW8•BW12•R12	108
F-150	various	75-81	C4•C5	120
F-150	various	75-96	C6	126
F-150	various	81-93	AOD•E•4R70W•75W•4R70E•75E	132
F-150	various	82-86	C4•C5	120
F-150	V/6 4.2L V/8 4.6L/5.0L/5.4L	94-03	AOD•E•4R70W•75W•4R70E•75E	132
F-150	L/6 4.9L V/8 5.0L/5.4L/5.8L	95-97	E4OD•4R100	148
F-150	V/8 5.4L	98-03	E4OD•4R100	148
F-150	V/6 4.2L V/8 4.6L	04-08	AOD•E•4R70W•75W•4R70E•75E	132
F-150	V/8 5.4L V/10 6.8L	04-08	AOD•E•4R70W•75W•4R70E•75E	132
F-150	V/8 4.6L	09-10	AOD•E•4R70W•75W•4R70E•75E	132
F-150	V/8 4.6L 3V	09-10	6R80•6R90	176
F-150	V/8 5.4L 3V	09-10	6R80•6R90	176
F-150 Harley-Davidson Edition	V/8 5.4L 3V	10-10	6R80•6R90	176
F-150 Heritage Edition	V/6 4.2L V/8 4.6L	04-04	AOD•E•4R70W•75W•4R70E•75E	132
F-150 Heritage Edition	V/8 5.4L	04-04	AOD•E•4R70W•75W•4R70E•75E	132
F-250	various	64-72	C4•C5	120
F-250	various	68-96	C6	126
F-250	various	81-93	AOD•E•4R70W•75W•4R70E•75E	132
F-250	various	89-97	E4OD•4R100	148
F-250	L6 4.9L V/8 4.6L	97-99	AOD•E•4R70W•75W•4R70E•75E	132
F-250	various	98-03	E4OD•4R100	148
F-250 Super Duty	V/8 6.0L diesel	03-04	5R110W (TorqShift)	162
F-250 Super Duty	V/8 5.4L/6.0L diesel V/10 6.8L	05-08	5R110W (TorqShift)	162
F-250/250 Super Duty	L/6 4.9L V/8 5.0L/5.4L/5.8L/7.3L diesel	95-97	E4OD•4R100	148
F-250/250 Super Duty	V/8 5.4L/7.3L diesel V/10 6.8L	98-04	E4OD•4R100	148
F-250/250 Super Duty	V/8 6.2L 2V 6.7L 4V turbo diesel	11-11	6R140	184
F-350	various	68-72	FMX•CW•BW8•BW12•R12	108
F-350	various	89-98	E4OD•4R100	148
F-350	various	95-96	C6	126
F-350 Super Duty	V/8 6.0L diesel	03-04	5R110W (TorqShift)	162
F-350 Super Duty	V/8 5.4L/6.0L diesel V/10 6.8L	05-10	5R110W (TorqShift)	162

INDEX

VEHICLE TO TRANSMISSION INDEX

INDEX

MODEL NAME	ENGINE	YEAR	TRANSMISSION	PAGE
F-350/350 Super Duty	L/6 4.9L V/8 5.8L/7.5L/7.3L(diesel)	95-98	E4OD•4R100	148
F-350/350 Super Duty	V/8 5.4L/6.0L diesel V/10 6.8L	99-04	E4OD•4R100	148
F-350/350 Super Duty	V/8 6.2L 2V 6.7L 4V turbo diesel	11-11	6R140	184
F-450 Super Duty	V/8 7.5L/7.3L diesel	96-98	E4OD•4R100	148
F-450 Super Duty	V/8 6.2L 2V 6.7L 4V turbo diesel	11-11	6R140	184
F-450/550 Super Duty	V/8 7.3L diesel V/10 6.8L	98-04	E4OD•4R100	148
F-450/550 Super Duty	V/8 6.0L diesel	03-04	5R110W (TorqShift)	162
F-450/550 Super Duty	V/8 6.0L diesel V/10 6.8L	05-08	5R110W (TorqShift)	162
F-450/550 Super Duty	V/10 6.8L	09-11	5R110W (TorqShift)	162
F-450/550 Super Duty	V/8 6.4L diesel	09-10	5R110W (TorqShift)	162
Fairlane	various	64-70	C4•C5	120
Fairlane	various	66-70	C6	126
Fairmont	various	78-83	C3	116
Fairmont	various	78-81	C4•C5	120
Fairmont	various	82-83	C4•C5	120
Falcon	various	65-71	C4•C5	120
Falcon	various	71-71	FMX•CW•BW8•BW12•R12	108
Falcon	various	71-71	C6	126
Festiva	L/4 1.6L	90-93	F3A	8
Five Hundred	V/6 3.0L	05-07	CFT30	62
Five Hundred	V/6 3.0L	05-06	TF-81SC•AF21•AW6A-EL•AM6	66
Flex	V/6 3.5L	09-10	6F50•6F55	72
Focus	L/4 2.0L/2.3L	00-10	4F27E•FN4A-EL	54
Freestar	V/6 3.9L/4.2L	04-07	AXOD•E•AX4N•4F50N	12
Freestyle	V/6 3.0L	05-07	CFT30	62
Fusion	L/4 2.3L	06-09	FS5A-EL•FNR5•J13R	60
Fusion	V/6 3.0L	06-08	TF-81SC•AF21•AW6A-EL•AM6	66
Galaxie/LTD/500	various	75-81	FMX•CW•BW8•BW12•R12	108
Galaxie/LTD/500	various	75-80	C4•C5	120
Galaxie/LTD/500	various	75-80	C6	126
Galaxie/LTD/500	various	80-86	AOD•E•4R70W•75W•4R70E•75E	132
Galaxie/LTD/500	various	83-86	C4•C5	120
Granada	various	75-81	C4•C5	120
Granada	various	77-80	L3N71B•L4N71B•N4AEL	186
Granada	various	81-82	C3	116
Granada	various	82-82	C4•C5	120
LTDII	various	77-79	FMX•CW•BW8•BW12•R12	108
LTDII	various	77-79	C4•C5	120
LTDII	various	77-79	C6	126
Maverick	various	70-77	C4•C5	120
Mustang GT	V/8 5.0L 4V Ti-VCT	11-11	6R80•6R90	176
Mustang GT	V/8 5.0L 4V Ti-VCT	11-11	6R140	184
Mustang/Mustang II	various	64-81	C4•C5	120
Mustang/Mustang II	various	69-73	FMX•CW•BW8•BW12•R12	108
Mustang/Mustang II	V/8 390 CID/428 CID	69-72	C6	126
Mustang/Mustang II	various	75-86	C3	116
Mustang/Mustang II	various	82-86	C4•C5	120
Mustang/Mustang II	various	84-93	AOD•E•4R70W•75W•4R70E•75E	132
Mustang/Mustang II	various	87-93	A4LD•4R44E•4R55E•5R55E	140
Mustang/Mustang II	V/6 3.8L V/8 5.0L	94-95	AOD•E•4R70W•75W•4R70E•75E	132
Mustang/Mustang II	V/6 3.8L V/8 4.6L	96-04	AOD•E•4R70W•75W•4R70E•75E	132
Mustang/Mustang II	V/6 4.0L V/8 4.6L	05-10	5R55N•W•S	156
Mustang/Mustang II	V/6 3.7L	11-11	6R80•6R90	176
Mustang/Mustang II	V/6 3.7L 4V Ti-VCT	11-11	6R140	184

VEHICLE TO TRANSMISSION INDEX

MODEL NAME	ENGINE	YEAR	TRANSMISSION	PAGE
Pinto	various	71-80	C4•C5	120
Pinto	various	74-80	C3	116
Probe	L/4 2.2L V/6 3.0L	90-93	4EAT•G•G4A-EL•HL•GF4A-EL	34
Probe	L/4 2.0L	94-97	CD4E•LA4A-EL	24
Probe GT	V/6 2.5L	94-97	4EAT•G•G4A-EL•HL•GF4A-EL	34
Ranchero	various	65-79	C4•C5	120
Ranchero	various	68-79	FMX•CW•BW8•BW12•R12	108
Ranchero	various	77-79	C6	126
Ranger	various	83-84	C4•C5	120
Ranger	various	83-84	C3	116
Ranger	various	85-94	A4LD•4R44E•4R55E•5R55E	140
Ranger	L/4 2.3L/2.5L V/6 3.0L	95-00	A4LD•4R44E•4R55E•5R55E	140
Ranger	V/6 4.0L	95-96	A4LD•4R44E•4R55E•5R55E	140
Ranger	L/4 2.5L	01-01	A4LD•4R44E•4R55E•5R55E	140
Ranger	L/4 2.3L V/6 3.0L	01-10	A4LD•4R44E•4R55E•5R55E	140
Taurus	various	86-90	ATX	2
Taurus	various	86-90	AXOD•E•AX4N•4F50N	12
Taurus	various	91-95	AXOD•E•AX4N•4F50N	12
Taurus	V/6 3.0L	95-07	AXOD•E•AX4N•4F50N	12
Taurus	V/6 3.0L/3.2L/3.8L	96-03	AXOD•E•AX4N•4F50N	12
Taurus	V/6 3.5L	08-08	6F50•6F55	72
Taurus SHO	V/6 3.0L/3.4L	95-00	AXOD•E•AX4N•4F50N	12
Taurus SHO	V/6 3.5L EcoBoost twin turbo	10-10	6F50•6F55	72
Taurus X	V/6 3.5L	08-09	6F50•6F55	72
Tempo	various	84-94	ATX	2
Thunderbird	various	55-60	FMX•CW•BW8•BW12•R12	108
Thunderbird	various	61-66	FMX•CW•BW8•BW12•R12	108
Thunderbird	various	66-81	C4•C5	120
Thunderbird	various	68-79	C6	126
Thunderbird	various	75-79	FMX•CW•BW8•BW12•R12	108
Thunderbird	various	80-93	AOD•E•4R70W•75W•4R70E•75E	132
Thunderbird	various	82-86	C4•C5	120
Thunderbird	various	84-86	C3	116
Thunderbird	various	87-88	A4LD•4R44E•4R55E•5R55E	140
Thunderbird	various	93-94	AOD•E•4R70W•75W•4R70E•75E	132
Thunderbird	V/6 3.8L V/8 4.6L	94-97	AOD•E•4R70W•75W•4R70E•75E	132
Thunderbird	V/8 3.9L	02-02	5R55N•W•S	156
Thunderbird	V/8 3.9L	03-05	5R55N•W•S	156
Torino	various	68-76	C4•C5	120
Torino	various	68-76	C6	126
Torino	various	69-76	FMX•CW•BW8•BW12•R12	108
Transit Connect	L/4 2.0L	10-10	4F27E•FN4A-EL	54
Van	various	64-81	C4•C5	120
Van	various	75-96	C6	126
Van	various	81-94	AOD•E•4R70W•75W•4R70E•75E	132
Van	various	89-97	E4OD•4R100	148
Van	various	94-06	AOD•E•4R70W•75W•4R70E•75E	132
Van	various	98-03	E4OD•4R100	148
Van	various	04-08	AOD•E•4R70W•75W•4R70E•75E	132
Van	V/8 6.0L diesel	04-10	5R110W (TorqShift)	162
Windstar	V/6 3.0L/3.8L	95-95	AXOD•E•AX4N•4F50N	12
Windstar	V/6 3.0L/3.8L	96-02	AXOD•E•AX4N•4F50N	12
Windstar	V/6 3.8L	01-03	AXOD•E•AX4N•4F50N	12

INDEX

VEHICLE TO TRANSMISSION INDEX

INDEX

MODEL NAME	ENGINE	YEAR	TRANSMISSION	PAGE
INFINITI				
EX35	V/6 3.5L	08-10	RE5R05A•A5SR2•JR507E	230
FX-35	V/6 3.5L	03-08	RE5R05A•A5SR2•JR507E	230
FX-45	V/8 4.5L	03-08	RE5R05A•A5SR2•JR507E	230
G20	L/4 2.0L	91-93	RL4F03A•V•RE4F03A•B•W	46
G20	L/4 2.0L	94-99	RL4F03A•V•RE4F03A•B•W	46
G20	L/4 2.0L	00-02	RL4F03A•V•RE4F03A•B•W	46
G35	V/6 3.5L	03-10	RE5R05A•A5SR2•JR507E	230
G37	V/6 3.7L	08-08	RE5R05A•A5SR2•JR507E	230
I30	V/6 3.0L	95-01	RE4F04A•4F20E	50
I35	V/6 3.5L	02-02	RE4F04A•4F20E	50
I35	V/6 3.5L	03-04	AW55-50SN•AF33-5•AF23-5• RE5F22A•AW235	84
J30	V/6 3.0L	92-97	RE4R01A•R4A-EL	204
M30	V/6 3.0L	90-92	RE4R01A•R4A-EL	204
M35	V/6 3.5L	05-09	RE5R05A•A5SR2•JR507E	230
M45	V/8 4.5L	03-09	RE5R05A•A5SR2•JR507E	230
Q45	V/8 4.1L/4.5L	90-01	RE4R03A	210
Q45	V/8 4.5L	02-07	RE5R05A•A5SR2•JR507E	230
QX4	V/6 3.3L/3.5L	97-06	RE4R01A•R4A-EL	204
QX56	V/8 5.6L	04-09	RE5R05A•A5SR2•JR507E	230
LINCOLN				
Aviator	V/8 4.6L	03-06	5R55N•W•S	156
Blackwood	V/8 5.4L	02-02	E4OD•4R100	148
Continental	various	82-87	AOD•E•4R70W•75W•4R70E•75E	132
Continental	V/8 diesel	84-86	ZF4HP22•24-A	196
Continental	various	88-91	AXOD•E•AX4N•4F50N	12
Continental	various	91-94	AXOD•E•AX4N•4F50N	12
Continental	V/8 4.6L	95-02	AXOD•E•AX4N•4F50N	12
LS	V/6 3.0L V/8 3.9L	00-02	5R55N•W•S	156
LS	V/6 3.0L V/8 3.9L	03-06	5R55N•W•S	156
Mark LT	V/8 5.4L	06-08	AOD•E•4R70W•75W•4R70E•75E	132
Mark VI	various	80-83	AOD•E•4R70W•75W•4R70E•75E	132
Mark VII	V/8 diesel	84-86	ZF4HP22•24-A	196
Mark VII	various	84-92	AOD•E•4R70W•75W•4R70E•75E	132
Mark VIII	V/8 4.6L	93-98	AOD•E•4R70W•75W•4R70E•75E	132
MKS	V/6 3.5L EcoBoost/3.7L	10-10	6F50•6F55	72
MKT	V/6 3.5L EcoBoost/3.7L	10-10	6F50•6F55	72
MKX	V/6 3.5L	07-10	6F50•6F55	72
MKZ/Zephyr	L/4 2.3L	06-08	FS5A-EL•FNR5•J13R	60
MKZ/Zephyr	V/6 3.0L/3.5L	07-07	6F50•6F55	72
MKZ/Zephyr	V/6 3.0L/3.5L	07-09	TF-81SC•AF21•AW6A-EL•AM6	66
Navigator	V/8 5.4L	97-97	E4OD•4R100	148
Navigator	V/8 5.4L	98-04	E4OD•4R100	148
Navigator	V/8 5.4L	04-06	ZF6HP26	178
Navigator	V/8 5.4L	05-10	6R60•70•75	170
Some RWD w/3 SPD	various	51-71	FMX•CW•BW8•BW12•R12	108
Some RWD w/3 SPD	various	64-81	C4•C5	120
Some RWD w/3 SPD	various	66-96	C6	126
Some RWD w/3 SPD	various	74-86	C3	116
Town Car	various	83-91	AOD•E•4R70W•75W•4R70E•75E	132
Town Car	various	92-94	AOD•E•4R70W•75W•4R70E•75E	132
Town Car	V/8 4.6L	95-05	AOD•E•4R70W•75W•4R70E•75E	132
Town Car	V/8 4.6L	05-08	ZF6HP26	178

VEHICLE TO TRANSMISSION INDEX

MODEL NAME	ENGINE	YEAR	TRANSMISSION	PAGE
Town Car	V/8 4.6L	06-08	AOD•E•4R70W•75W•4R70E•75E	132
Versailles	various	77-80	C4•C5	120
MAZDA				
1500	various	67-69	BW35•T35•BW35TB•37TB•BW65•66	112
1800	various	69-74	BW35•T35•BW35TB•37TB•BW65•66	112
3	L/4 2.0L/2.3L	04-08	4F27E•FN4A-EL	54
3	L/4 2.3L	06-09	F55A-EL•FNR5•J13R	60
323	L/4 1.6L	86-87	F3A	8
323	L/4 1.6L	88-89	4EAT-G•G4A-EL•HL•GF4A-EL	34
323	L/4 1.6L/1.8L	90-94	4EAT-F•F4A-EL•IF4E-F4E-111	30
323	L/4 1.6L (AWD)	90-91	4EAT-G•G4A-EL•HL•GF4A-EL	34
5	L/4 2.3L	07-08	4F27E•FN4A-EL	54
5	L/4 2.3L	08-09	F55A-EL•FNR5•J13R	60
6	V/6 3.0L	02-06	JF506E•JA5A-EL•RE5F01A	92
6	L/4 2.3L	03-05	4F27E•FN4A-EL	54
6	V/6 3.0L	05-07	TF-81SC•AF21•AW6A-EL•AM6	66
6	L/4 2.3L/2.5L	06-09	F55A-EL•FNR5•J13R	60
616	various	67-70	BW35•T35•BW35TB•37TB•BW65•66	112
616	various	71-78	L3N71B•L4N71B•N4AEL	186
626	various	79-82	L3N71B•L4N71B•N4AEL	186
626	L/4 2.0L	83-87	F3A	8
626	L/4 2.0L V/6 2.5L	86-93	4EAT-G•G4A-EL•HL•GF4A-EL	34
626	L/4 2.0L	94-02	CD4E•LA4A-EL	24
626	V/6 2.5L	94-02	4EAT-G•G4A-EL•HL•GF4A-EL	34
808	various	72-77	L3N71B•L4N71B•N4AEL	186
818	various	72-76	L3N71B•L4N71B•N4AEL	186
929	V/6 3.0L	88-91	L3N71B•L4N71B•N4AEL	186
929	V/6 3.0L	92-95	RE4R01A•R4A-EL	204
B2000 Pickup	L/4 2.0L/2.2L/2.6L	82-85	L3N71B•L4N71B•N4AEL	186
B2000 Pickup	L/4 2.0L/2.2L/2.6L	86-93	L3N71B•L4N71B•N4AEL	186
B2000 Pickup	L/4 2.6L	90-93	RE4R01A•R4A-EL	204
B2200 Pickup	L/4 2.2L	92-93	L3N71B•L4N71B•N4AEL	186
B2300 Pickup	L/4 2.3L/3.0L V/6 4.0L	94-94	A4LD•4R44E•4R55E•5R55E	140
B2300 Pickup	L/4 2.3L	95-96	A4LD•4R44E•4R55E•5R55E	140
B2500 Pickup	L/4 2.5L	99-99	A4LD•4R44E•4R55E•5R55E	140
B3000 Pickup	L/4 2.3L/3.0L V/6 4.0L	94-94	A4LD•4R44E•4R55E•5R55E	140
B3000 Pickup	V/6 3.0L	95-99	A4LD•4R44E•4R55E•5R55E	140
B3000 Pickup	V/6 3.0L	01-01	A4LD•4R44E•4R55E•5R55E	140
B4000 Pickup	L/4 2.3L/3.0L V/6 4.0L	94-94	A4LD•4R44E•4R55E•5R55E	140
B4000 Pickup	V/6 4.0L	00-08	A4LD•4R44E•4R55E•5R55E	140
Cosmo	various	76-78	L3N71B•L4N71B•N4AEL	186
CX7	L/4 2.3L	07-08	TF-81SC•AF21•AW6A-EL•AM6	66
CX7	L/4 2.3L	07-08	TF-81SC•AF21•AW6A-EL•AM6	66
CX9	V/6 3.5L	07-08	TF-81SC•AF21•AW6A-EL•AM6	66
CX9	V/6 3.5L	07-08	TF-81SC•AF21•AW6A-EL•AM6	66
GLC	various	77-83	L3N71B•L4N71B•N4AEL	186
GLC	various	81-85	F3A	8
Miata	L/4 1.6L	91-97	L3N71B•L4N71B•N4AEL	186
Miata	L/4 1.8L	98-05	A40•41•42•AW70•71•A44D•DL•DE•A46DE	218
Miata	L/4 2.0L	06-08	SJ6A-EL•TB-65SN	240
Millenia	V/6 2.3L	95-02	JF403E•LJ4A-EL	88
Millenia	V/6 2.5L	95-02	4EAT-G•G4A-EL•HL•GF4A-EL	34
Mizer	various	71-73	L3N71B•L4N71B•N4AEL	186
Montrose	various	74-77	L3N71B•L4N71B•N4AEL	186

VEHICLE TO TRANSMISSION INDEX

INDEX

MODEL NAME	ENGINE	YEAR	TRANSMISSION	PAGE
MPV	L/4 2.6L	89-95	L3N71B•L4N71B•N4AEL	186
MPV	V/6 3.0L	89-99	RE4R01A•R4A-EL	204
MPV	V/6 2.5L	00-01	4EAT-G•G4A-EL•HL•GF4A-EL	34
MPV	V/6 3.0L	02-06	JF506E•JA5A-EL•RE5F01A	92
MPV	L/4 2.3L	06-07	4F27E•FN4A-EL	54
MX3	L/4 1.6L/1.8L	92-95	4EAT-F•F4A-EL•IF4E-F4E-111	30
MX5	various	98-06	A40•41•42•AW70•71•A44D•DL•DE•A46DE	218
MX5	L/4 2.0L	06-08	SJ6A-EL•TB-65SN	240
MX6	L/4 2.0L V/6 2.5L	86-93	4EAT-G•G4A-EL•HL•GF4A-EL	34
MX6	L/4 2.0L	94-97	CD4E•LA4A-EL	24
MX6	V/6 2.5L	94-97	4EAT-G•G4A-EL•HL•GF4A-EL	34
Navajo	V/6 4.0L	91-94	A4LD•4R44E•4R55E•5R55E	140
Protege	L/4 1.5L/1.8L	90-98	4EAT-F•F4A-EL•IF4E-F4E-111	30
Protege	L/4 1.6L (AWD)	90-91	4EAT-G•G4A-EL•HL•GF4A-EL	34
Protege	L/4 1.6L/1.8L/2.0L	99-04	4F27E•FN4A-EL	54
R100	various	71-72	L3N71B•L4N71B•N4AEL	186
RX2	various	71-74	L3N71B•L4N71B•N4AEL	186
RX3	various	72-77	L3N71B•L4N71B•N4AEL	186
RX4	various	74-78	L3N71B•L4N71B•N4AEL	186
RX7	various	78-83	L3N71B•L4N71B•N4AEL	186
RX7	various	84-88	L3N71B•L4N71B•N4AEL	186
RX7	Rotary 1.3L	89-92	L3N71B•L4N71B•N4AEL	186
RX7	Rotary 1.3L	93-96	RE4R01A•R4A-EL	204
RX8	1.3L Rotary	04-06	JR405E•RC4A-EL	214
RX8	Rotary 1.3L	06-09	SJ6A-EL•TB-65SN	240
Titan truck (2 ton)	various	90-98	JR403E•RG4R01A	200
Tribute	L/4 2.0L/2.3L V/6 3.0L	00-08	CD4E•LA4A-EL	24
Tribute	L/4 2.5L (DOHC)	09-10	6F50•6F55	72
Tribute	V/6 3.0L	09-10	6F50•6F55	72
MERCURY				
Bobcat	various	74-80	C3	116
Bobcat	various	74-80	C4•C5	120
Capri	various	72-81	C4•C5	120
Capri	various	79-86	C3	116
Capri	various	82-86	C4•C5	120
Capri	various	84-86	AOD•E•4R70W•75W•4R70E•75E	132
Capri	L/4 1.6L	91-94	4EAT-G•G4A-EL•HL•GF4A-EL	34
Comet	various	64-76	C4•C5	120
Comet	various	66-69	C6	126
Comet	various	69-77	FMX•CW•BW8•BW12•R12	108
Cougar	various	67-81	C4•C5	120
Cougar	various	68-80	C6	126
Cougar	various	71-81	FMX•CW•BW8•BW12•R12	108
Cougar	various	80-91	AOD•E•4R70W•75W•4R70E•75E	132
Cougar	various	81-86	C3	116
Cougar	various	82-86	C4•C5	120
Cougar	various	92-95	AOD•E•4R70W•75W•4R70E•75E	132
Cougar	V/8 4.6L	96-97	AOD•E•4R70W•75W•4R70E•75E	132
Cougar	L/4 2.0L V/6 2.5L	99-02	CD4E•LA4A-EL	24
Grand Marquis	various	74-80	C6	126
Grand Marquis	various	75-81	FMX•CW•BW8•BW12•R12	108
Grand Marquis	various	80-92	AOD•E•4R70W•75W•4R70E•75E	132
Grand Marquis	various	93-95	AOD•E•4R70W•75W•4R70E•75E	132
Grand Marquis	V/8 4.6L	96-06	AOD•E•4R70W•75W•4R70E•75E	132

VEHICLE TO TRANSMISSION INDEX

MODEL NAME	ENGINE	YEAR	TRANSMISSION	PAGE
Grand Marquis	V/8 4.6L	07-08	AOD•E•4R70W•75W•4R70E•75E	132
LN7	various	82-83	ATX	2
Lynx	various	81-87	ATX	2
Marauder	V/8 4.6L	03-04	AOD•E•4R70W•75W•4R70E•75E	132
Marauder	V/8 4.6L	03-04	AOD•E•4R70W•75W•4R70E•75E	132
Mariner	L/4 2.3L V/6 3.0L	05-08	CD4E•LA4A-EL	24
Mariner	L/4 2.0L V/6 3.0L	09-11	6F35	78
Mariner Hybrid	L/4 2.3L	05-06	CVT-P310•Q211	246
Marquis	various	74-81	C4•C5	120
Marquis	various	74-80	C6	126
Marquis	various	74-81	FMX•CW•BW8•BW12•R12	108
Marquis	various	82-83	C4•C5	120
Marquis	various	83-86	C3	116
Marquis	various	83-86	AOD•E•4R70W•75W•4R70E•75E	132
Meteor	various	51-64	FMX•CW•BW8•BW12•R12	108
Meteor	various	65-72	C4•C5	120
Meteor	various	66-72	C6	126
Milan	L/4 2.3L	06-09	FS5A-EL•FNR5•J13R	60
Milan	V/6 3.0L	06-08	TF-81SC•AF21•AW6A-EL•AM6	66
Monarch	various	75-80	C4•C5	120
Monarch	various	77-80	L3N71B•L4N71B•N4AEL	186
Montego	various	68-76	C4•C5	120
Montego	various	68-76	C6	126
Montego	various	70-76	FMX•CW•BW8•BW12•R12	108
Montego	V/6 3.0L	05-07	CFT30	62
Montego	V/6 3.0L	05-08	TF-81SC•AF21•AW6A-EL•AM6	66
Monterey	various	70-74	FMX•CW•BW8•BW12•R12	108
Monterey	L/4.2L V/6 3.9	04-07	AXOD•E•AX4N•4F50N	12
Mountaineer	V/8 5.0L	97-01	AOD•E•4R70W•75W•4R70E•75E	132
Mountaineer	V/6 4.0L	98-01	A4LD•4R44E•4R55E•5R55E	140
Mountaineer	V/6 4.0L V/8 4.6L	02-03	5R55N•W•S	156
Mountaineer	V/6 4.0L V/8 4.6L	04-05	5R55N•W•S	156
Mountaineer	V/6 4.0L	06-10	5R55N•W•S	156
Mountaineer	V/8 4.6L	06-08	6R60•70•75	170
Mystique	L/4 2.0L V/6 2.5L	95-00	CD4E•LA4A-EL	24
Sable	various	86-86	ATX	2
Sable	various	86-92	AXOD•E•AX4N•4F50N	12
Sable	various	91-03	AXOD•E•AX4N•4F50N	12
Sable	V/6 3.0L	01-05	AXOD•E•AX4N•4F50N	12
Sable	V/6 3.5L	08-09	6F50•6F55	72
Topaz	various	84-94	ATX	2
Tracer	various	88-90	F3A	8
Tracer	L/4 1.8L/1.9L/2.0L	91-96	4EAT-F•F4A-EL•IF4E-F4E-111	30
Tracer	L/4 1.8L/1.9L/2.0L	97-97	4EAT-F•F4A-EL•IF4E-F4E-111	30
Tracer	L/4 1.8L/1.9L/2.0L	98-99	4EAT-F•F4A-EL•IF4E-F4E-111	30
Villager	V/6 3.0L/3.3L	93-02	RE4F04A•4F20E	50
Zephyr	various	76-83	C3	116
Zephyr	various	78-81	C4•C5	120
Zephyr	various	82-83	C4•C5	120
MERKUR				
Scorpio	various	87-89	A4LD•4R44E•4R55E•5R55E	140
XR4Ti	various	85-89	C3	116
NISSAN				
180B/200B/1600	various	72-76	BW35•T35•BW35TB•37TB•BW65•66	112

VEHICLE TO TRANSMISSION INDEX

INDEX

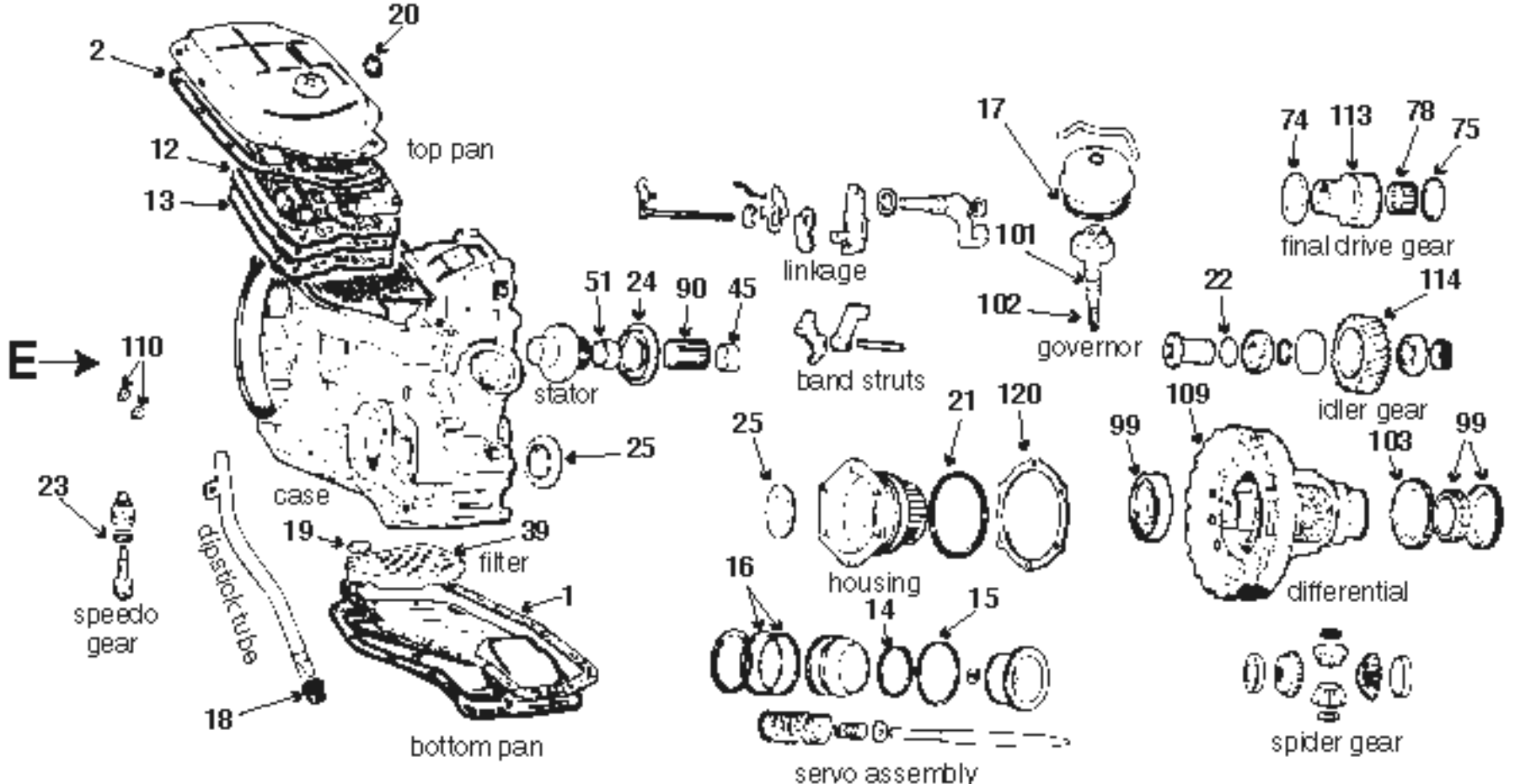
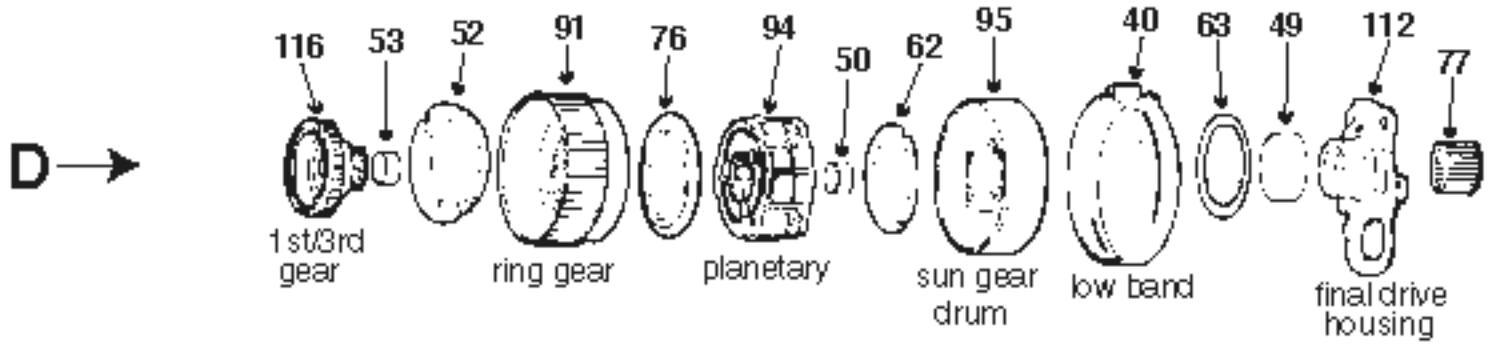
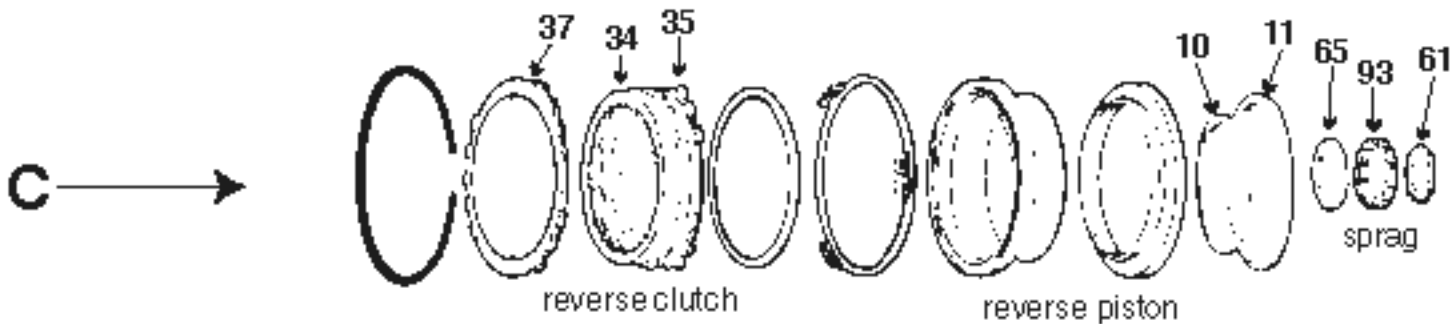
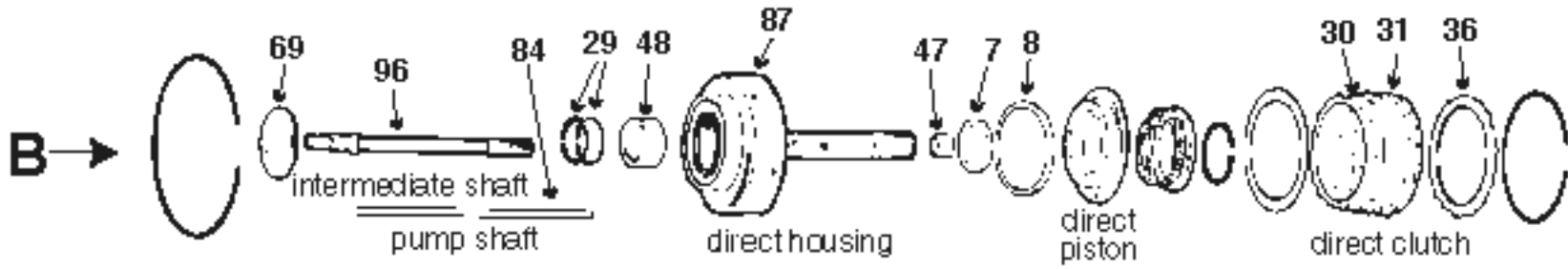
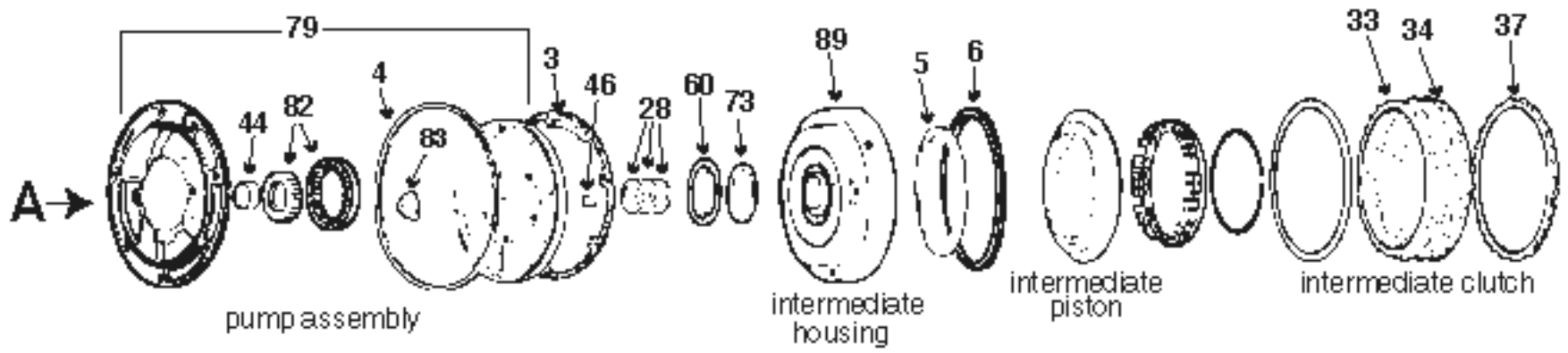
MODEL NAME	ENGINE	YEAR	TRANSMISSION	PAGE
180B/200L/240C, 260C/240K	various	72-82	L3N71B•L4N71B•N4AEL	186
200SX	L/4 2.0L/2.2L	79-83	L3N71B•L4N71B•N4AEL	186
200SX	L/4 1.8L/2.0L	84-88	L3N71B•L4N71B•N4AEL	186
200SX	V/6 3.0L	87-88	L3N71B•L4N71B•N4AEL	186
200SX	L/4 1.6L	95-98	RL4F03A•V•RE4F03A•B•W	46
200SX	L/4 2.0L	95-98	RL4F03A•V•RE4F03A•B•W	46
240SX	L/4 2.4L	89-98	RE4R01A•R4A-EL	204
240Z/260Z/280Z/B110/210	various	72-82	L3N71B•L4N71B•N4AEL	186
280ZX	L/6 2.75L	79-83	L3N71B•L4N71B•N4AEL	186
300ZX	V/6 3.0L	84-89	L3N71B•L4N71B•N4AEL	186
300ZX	V/6 3.0L (w/o turbo)	89-97	RE4R01A•R4A-EL	204
300ZX	V/6 3.0L (w/turbo)	90-97	RE4R03A	210
310	various	82-82	RL•RN3F01A	38
350Z	V/6 3.5L	03-08	RE5R05A•A5SR2•JR507E	230
510	various	69-82	L3N71B•L4N71B•N4AEL	186
610/710/720/810/1200	various	72-82	L3N71B•L4N71B•N4AEL	186
Altima	L/4 2.4L/2.5L V/6 3.5L	92-06	RE4F04A•4F20E	50
Altima	L/4 2.4L	93-99	RE4F04A•4F20E	50
Altima	L/4 2.5L	05-06	RE4F04A•4F20E	50
Altima	V/6 3.5L	05-06	AW55-50SN•AF33-5•AF23-5• RE5F22A•AW235	84
Altima	V/6 3.5L	07-11	RE0F09A/B•JF010E	100
Altima Hybrid	L/4 2.5L	07-10	CVT-P310•Q211	246
Armada	V/8 5.6L	04-10	RE5R05A•A5SR2•JR507E	230
Axxess	L/4 2.4L	90-90	RE•RL•RN4F02A	42
Cube	L/4 1.8L	07-11	RE0F09A/B•JF010E	100
Frontier	L/4 2.4L	98-04	RE4R01A•R4A-EL	204
Frontier	V/6 3.3L	99-06	RE4R01A•R4A-EL	204
Frontier	V/6 3.3L	99-04	RE4R01A•R4A-EL	204
Frontier	L/4 2.5L V/6 4.0L	05-11	RE5R05A•A5SR2•JR507E	230
Maxima	L/4 2.4L	80-82	L3N71B•L4N71B•N4AEL	186
Maxima	L/4 2.4L	83-84	L3N71B•L4N71B•N4AEL	186
Maxima	V/6 3.0L	85-88	RE•RL•RN4F02A	42
Maxima	V/6 3.0L (SOHC)	89-94	RE•RL•RN4F02A	42
Maxima	V/6 3.0L (DOHC)	92-99	RE4F04A•4F20E	50
Maxima	V/6 3.0L/3.5L	00-03	RE4F04A•4F20E	50
Maxima	V/6 3.5L	05-06	AW55-50SN•AF33-5•AF23-5• RE5F22A•AW235	84
Maxima	V/6 3.5L	07-11	RE0F09A/B•JF010E	100
Maxima SE	V/6 3.5L	04-04	AW55-50SN•AF33-5•AF23-5• RE5F22A•AW235	84
Maxima SL	V/6 3.5L	04-04	RE4F04A•4F20E	50
Murano	V/6 3.5L	03-07	RE0F09A/B•JF010E	100
NV	V/6 4.0L V/8 5.6L	10-11	RE5R05A•A5SR2•JR507E	230
NX	L/4 1.6L/2.0L	92-93	RL4F03A•V•RE4F03A•B•W	46
Over Seas Only	various	91-05	RE5R01A•JR506E	228
Pathfinder	L/4 2.4L V/6 3.0L	86-89	L3N71B•L4N71B•N4AEL	186
Pathfinder	V/6 3.0L/3.3L	88-97	RE4R01A•R4A-EL	204
Pathfinder	V/6 3.0L/3.3L/3.5L	90-04	RE4R01A•R4A-EL	204
Pathfinder	L/4 2.4L	90-97	RE4R01A•R4A-EL	204
Pathfinder	V/6 4.0L	05-10	RE5R05A•A5SR2•JR507E	230
Pathfinder	L/4 2.5L/V/6 4.0L	05-11	RE5R01A•JR506E	228
Pickup	L/4 2.0L/2.2L/2.4L	80-85	L3N71B•L4N71B•N4AEL	186
Pickup	L/4 2.4L V/6 3.0L	86-89	L3N71B•L4N71B•N4AEL	186
Pickup	V/6 3.0L/3.3L	88-96	RE4R01A•R4A-EL	204
Pickup	L/4 2.4L	90-97	RE4R01A•R4A-EL	204
Pickup	V/6 3.0L/3.3L	90-97	RE4R01A•R4A-EL	204

VEHICLE TO TRANSMISSION INDEX

MODEL NAME	ENGINE	YEAR	TRANSMISSION	PAGE
Pulsar	L/4 1.5L/1.6L	83-90	RL•RN3F01A	38
Pulsar	L/4 1.8L	88-90	RE•RL•RN4F02A	42
Quest	V/6 3.0L/3.3L	93-02	RE4F04A•4F20E	50
Quest S	V/6 3.5L	04-06	RE4F04A•4F20E	50
Quest S	V/6 3.5L	07-08	AW55-50SN•AF33-5•AF23-5• RE5F22A•AW235	84
Quest SE	V/6 3.5L	04-07	AW55-50SN•AF33-5•AF23-5• RE5F22A•AW235	84
Quest SL	V/6 3.5L	04-04	RE4F04A•4F20E	50
Quest SL	V/6 3.5L	05-07	AW55-50SN•AF33-5•AF23-5• RE5F22A•AW235	84
Rogue	L/4 2.5L	08-08	JF011E	104
Sentra	L/4 1.5L/1.6L/2.0L	82-92	RL•RN3F01A	38
Sentra	L/4 1.6L	91-99	RL4F03A•V•RE4F03A•B•W	46
Sentra	L/4 2.0L	91-92	RL4F03A•V•RE4F03A•B•W	46
Sentra	L/4 1.8L/2.0L	93-06	RL4F03A•V•RE4F03A•B•W	46
Sentra/SE-R	L/4 2.5L	00-06	RE4F04A•4F20E	50
Sentra/SE-R	L/4 2.5L	05-06	AW55-50SN•AF33-5•AF23-5• RE5F22A•AW235	84
Sentra/SE-R	L/4 2.0L/2.5L	07-08	JF011E	104
Stanza	L/4 2.0L	81-85	RL•RN3F01A	38
Stanza	L/4 2.0L	86-89	RE•RL•RN4F02A	42
Stanza	L/4 2.4L	90-92	RE•RL•RN4F02A	42
Titan	V/8 5.6L	04-10	RE5R05A•A5SR2•JR507E	230
Truck-diesel	diesel	88-98	JR403E•RG4R01A	200
Van	L/4 2.4L	87-89	L3N71B•L4N71B•N4AEL	186
Van	L/4 2.4L	89-89	RE4R01A•R4A-EL	204
Versa	L/4 1.8L	07-11	RE0F09A/B•JF010E	100
Xterra	V/6 3.3L	00-04	RE4R01A•R4A-EL	204
Xterra	V/6 4.0L	05-07	RE5R05A•A5SR2•JR507E	230
Xterra	V/6 4.0L	05-11	RE5R01A•JR506E	228
SUBARU				
B9 Tribeca	H/6 3.0L/3.6L	06-11	5EAT	236
Baja	H/4 2.5L	03-06	4EAT•R4A-EL•4-ATAXLE	222
Brat	various	83-87	M41-A	192
DL/GF/GL	various	75-89	M41-A	192
Forester	H/4 2.5L	98-07	4EAT•R4A-EL•4-ATAXLE	222
GL-10	various	85-89	M41-A	192
GL-10	various	88-89	4EAT•R4A-EL•4-ATAXLE	222
GLF	various	80-82	M41-A	192
Impreza	H/4 1.8L/2.2L/2.5L	93-97	4EAT•R4A-EL•4-ATAXLE	222
Impreza/WRX	H/4 1.8L/2.0L/2.2L/2.5L	98-07	4EAT•R4A-EL•4-ATAXLE	222
Justy	L/3 1.2L	89-94	ECVT	98
Legacy	H/4 2.0L/2.2L/2.5L	90-07	4EAT•R4A-EL•4-ATAXLE	222
Legacy GT	H/4 2.5L V/6 3.0L	05-07	5EAT	236
Loyale	H/4 1.8L (Turbo)	85-94	M41-A	192
Loyale	H/4 1.8L (w/o Turbo)	85-94	M41-A	192
Loyale	H/4 H/4 1.8L (Turbo)	88-90	4EAT•R4A-EL•4-ATAXLE	222
Outback	H4 2.5L/H6 3.0L	99-06	4EAT•R4A-EL•4-ATAXLE	222
Outback Sport	H/4 2.5L	05-07	4EAT•R4A-EL•4-ATAXLE	222
Outback XT	H/4 2.5L H/6 3.0L	05-11	5EAT	236
RX	various	89-89	4EAT•R4A-EL•4-ATAXLE	222
SVX	H/6 3.0L/3.3L	92-97	4EAT•R4A-EL•4-ATAXLE	222
XT	various	85-87	M41-A	192
XT	H/4 1.8L/2.7L	87-91	4EAT•R4A-EL•4-ATAXLE	222
XT6	various	87-91	4EAT•R4A-EL•4-ATAXLE	222
XT6	various	88-89	M41-A	192
XT6 Coupe/XTGL	various	87-91	4EAT•R4A-EL•4-ATAXLE	222

Miscellaneous

ADVERTISERS	PRODUCTS	PAGE
Life Products	oil and oil additives	front cover
Transtec	gaskets/seals/rings	rear cover
Rostra	electrical products	7
Alto	frictions/steels	29
ATSG	repair manuals	33
Muscle	oil additives	53
LubeGard	oil and oil additives	59
BorgWarner	electrical/frictions	65
Superior	valve body repair	71
Teckpak	speciality products	77
Transgo	valve body repair	83
Toledo	electrical and hard parts	91
GFX	hard parts and electrical	103
Filtran	rings/filters/grease	107
Sonnax	valve body repair and hard parts	131
Dacco	converters and hard parts	155
Loctite	sealants	161
Line Card	A & Reds	169
Gaskets	transfer case	191
Conversion	engines	195
A & Reds	number system	199
A & Reds	paint	203
A & Reds	engine hanger parts	209
A & Reds	engine hanger	213
A & Reds	speedo problems	227
A & Reds	decimal chart	239
A & Reds	disclaimer	245



ATX
57000

ILL	DESCRIPTION		QTY	YEAR	REFERENCE #	PART #
TECHNICAL MANUALS						
K53	Tech manual Ford ATX dis/assembly	diagnosis/troubleshooting	1	81-91	83-ATXTM	010-205
REBUILDER KITS						
K4	Master deluxe rebuild kit	ATX	1	81-89	AE	K5700-R
K4	Master deluxe rebuild kit	ATX	1	90-94	AE	K5700B-R
K5	Master kit w/steels	ATX	1	81-89	AE	K5700
K5	Master kit w/steels	ATX	1	90-94	AE	K5700B
K6	Master kit w/o steels	ATX	1	81-89	AE	K5700-LS
K6	Master kit w/o steels	ATX	1	90-94	AE	K5700B-LS
K7	O/H gasket set w/seals-rings	ATX	1	81-94	AE	K57900
K8	External seal kit	ATX	1	81-94	AE	K57900-2
K11	Gasket and seal kit	ATX	1	81-94	AE	K57900A-1
VALVE BODY KITS						
K15	Shift Kit® w/special metal sealing rings	correct hot no 2nd/3rd	1	81-94	SK® FX	K57908
K15	Shift Correction Package (helps eliminate)	soft 3/2 downshift/2nd gr starts/low line	1	81-94	KATX	S57908
GASKETS AND RUBBER COMPONENTS						
E1	Gasket, oil pan	neoprene/cork	1	81-94	E1FZ-7A191-A	13992X
E1	Gasket, oil pan	Duraprene®	1	81-94	E1FZ-7A191-AF	13992D
E2	Gasket, main control valve cover	neoprene/cork	1	81-94	E1FZ-7F396-A	13993X
E2	Gasket, main control valve cover	Duraprene®	1	81-94	E1FZ-7F396-Af	13993D
A3	Gasket	front pump	1	81-94	E1FZ-7A136-A	13825
A4	Seal, lathe cut	pump body	1	81-94	E1FZ-7A248-A	13826
A5	Lip seal	intermediate clutch (inner)	1	81-94	E1FZ-7A225-A	13827
A6	Lip seal	intermediate clutch (outer)	1	81-94	E1FZ-7F224-A	13828
B7	Lip seal	direct clutch (inner)	1	81-94	E5FZ-7C099-A	13829A
B8	Lip seal	direct clutch (outer)	1	81-94	E5FZ-7A548-A	13830A
C10	Lip seal	reverse clutch piston (inner)	1	81-94	E1FZ-7D404-A	13832
C11	Lip seal	reverse clutch piston (outer)	1	81-94	E1FZ-7D403-A	13833
E12	Gasket, valve body	upper	1	81-94	E8FZ-7D100-A	13834
E13	Gasket, valve body	lower	1	81-94	E8FZ-7C155-A	13835
E14	Lip seal 2"	low/intermediate servo piston	1	81-82	E1FZ-7D025-A	13836
E14	Lip seal 2.281"	low/intermediate servo piston	1	83-85	E3FZ-7D025-A	13846
E14	Lip seal 2.309"	low/intermediate servo piston	1	84-85	E4FZ-7D025-B	13846B
E14	Lip seal 2.281"	low/intermediate servo piston	1	86-94	E6FZ-7D025-A	13846D
E14	Lip seal 2.309"	low/intermediate servo piston	1	86-94	E6DZ-7D025-B	13846E
E15	Seal, lathe cut	servo piston (large)	1	81-94	E1FZ-7D024-A	13837
E16	Seal, lathe cut	servo cover	2/3	81-94	E1FZ-7D026-A	13838
E17	Seal, lathe cut	governor cover	1	81-94	N810115	13839
E18	O'ring	filler tube/case	1	81-82	87034-S94	3291L
E18	Multi lip seal (boot)	filler tube/case	1	82-94	E2FZ-7N243-A	13925
E19	Seal, lathe cut	oil filter	1	81-94	E1FZ-7E062-A	13841
E20	Grommet	main control valve cover	1	81-94	E1FZ-7G005-A	13843
E21	Gasket	differential bearing retainer	1	85-94	E5FZ-7G345-A	13848
E21	Seal, lathe cut	retainer assembly	1	81-85	N801062-S	13845
E22	O'ring	idler shaft	1	81-94	N800679-S	13842
E23	O'ring	speedo driven gear	1	81-94	E1FZ-17383-C	23120
METAL CLAD SEALS						
E24	Seal, metal clad	converter impeller hub (front)	1	81-94	E6FZ-7F401-A	57200
E25	Seal, metal clad	left/right axle seals	2	81-94	E1FZ-1177-A	57204
E25	Seal, metal clad (axle stabilizer)	drive in type (Teckpak)	1	81-94	16522	57206
n/i	Seal, metal clad	manual lever shaft	1	81-94	E1FZ-7B498-A	57202
n/i	Seal, metal clad	throttle lever shaft	1	81-94	E0AZ-7F337-A	53697

ATX

ILL	DESCRIPTION	QTY	YEAR	REFERENCE #	PART #
SEALING RINGS					
K10	Kit, sealing ring metal	1	81-94	AE	K57901
A28	Ring, sealing (metal) stator support to intermediate housing	3	81-94	E1FZ-7D019-A	57300
B29	Ring, sealing (metal) stator support to direct housing	2	81-94	E1FZ-7D020-A	57301
CLUTCH PLATES					
B30	Friction .076" 5.050" od 36T direct clutch	3/4	81-94	F23Z-7B164-A	57304
B31	Steel .070" 3.880" id 18T direct clutch	3/4	81-94	E1FZ-7B442-A	57305
A33	Steel .070" 6.380" id 36T intermediate clutch	2/3	81-91	E2FZ-7B442-A	57405
A33	Steel .070" 6.080" id 36T intermediate clutch (small id)	3	92-94	F23Z-7B442-A	57405A
AC34	Friction .078" 7.225" od 40T (waffle) reverse/intermediate	4/6	81-91	E1FZ-7B164-B	57404
AC34	Friction .078" 7.225" od 40T (waffle) reverse/intermediate (small id)	6	92-94	F23Z-7B164-B	57404A
C35	Steel .070" 6.375" id 11T reverse clutch	2/3	81-91	E1FZ-7B442-C	57505
C35	Steel .070" 6.145" id 11T reverse clutch (small id)	3	92-94	F23Z-7B442-B	57505A
PRESSURE PLATES					
B36	Pressure plate direct clutch	1	81-94	E1FZ-7B066-A	57307-R
A37	Pressure plate intermediate clutch	1	81-91	E1FZ-7B066-B	57307A-R
A37	Pressure plate intermediate clutch	1	92-94	AE	57307C-R
C37	Pressure plate reverse clutch	1	81-94	E1FZ-7B066-C	57307B-R
FILTERS					
K9	Kit, filter neoprene/cork	1	81-94	AE	FK57800
K9	Kit, filter Duraprene®	1	81-94	AE	DK57800
E39	Filter ATX	1	81-94	E1FZ-7A098-A	57800
n/i	Filter, screen governor	1	81-94	E1FZ-7E242-A	57712
BANDS					
D40	Band low/intermediate	1	81-84	E7FZ-7D034-B	57320
D40	Band low/intermediate	1	85-94	E7FZ-7D034-A	57320A
BUSHINGS					
K13	Kit, bushing (complete) ATX	1	81-94	AE	K57905
A44	Bushing pump gear	1	81-94	E1EP-7B259-A	57005
E45	Bushing converter hub (impeller)	1	81-94	E1EP-7N805-A	57015
A46	Bushing pump support (stator)(small)	1	81-94	E1EP-7B261-A	57002
A46	Bushing pump support (stator)(large)	1	81-94	E1EP-7N817-A	57013
B47	Bushing turbine shaft	1	81-94	E1EP-7F214-A	57009
B48	Bushing .375" wide dir clutch housing (1st design thin wall)	1	81-94	E1EP-7F233-A	57010
B48	Bushing .500" wide dir clutch hsg (2nd design thicker wall)	1	81-94	E1EP-7F233-AX	57010X
D49	Bushing final drive housing	1	81-94	E1EP-7F366-A	57004
D50	Bushing .750" wide planetary assembly	1	81-94	E1EP-7D065-A	57003
E51	Bushing stator	1	81-94	E1EP-7F437-A	57013
D52	Bushing (lip type) ring gear	1	81-94	E1EP-7F440-K	57006
D53	Bushing .750" wide 1st/3rd gear	1	81-94	E1EP-7D065-A	57003
WASHERS/BEARINGS/RACES/SHIMS					
K12	Kit, thrust bearing ATX	1	81-94	AE	K57906
K14	Kit, thrust washer w/popular selectives ATX	1	81-94	AE	K57907
A60	Thrust washer .060" stator to intermediate housing	sel	81-94	E1FZ-7D014-A	57209
A60	Thrust washer .064" stator to intermediate housing	sel	81-94	E1FZ-7D014-B	57209A
A60	Thrust washer .072" stator to intermediate housing	sel	81-94	E1FZ-7D014-C	57209B
A60	Thrust washer .080" stator to intermediate housing	sel	81-94	E1FZ-7D014-D	57209C
A60	Thrust washer .046" stator to intermediate housing	sel	81-94	E1FZ-7D014-E	57209E
A60	Thrust washer (plastic) stator to intermediate housing	sel	92-94		57209F
C61	Thrust washer 4 tabs overrun sprag to 1st/3rd gear (outer race)	1	81-94	E1FZ-7F369-A	57210
D62	Thrust washer 3 tabs planetary (front)	1	81-94	E1FZ-7D423-A	57215
D63	Thrust washer 3 tabs id sun gear housing to final drive housing	1	81-94	E1FZ-7F368-A	57425
B69	Bearing, thrust intermediate housing to direct housing	1	81-94	E1FZ-7F373-A	57400-R
A73	Bearing, thrust stator to intermediate housing	1	81-94	E1FZ-7F374-A	57407-R

ILL	DESCRIPTION	QTY	YEAR	REFERENCE #	PART #
WASHERS/BEARINGS/RACES/SHIMS (CONTINUED)					
A73	Bearing, thrust	1	92-94		57407A-R
E74	Bearing, thrust	1	81-94	E1FZ-7F404-A	57403-R
E75	Bearing, thrust	1	81-94	E1FZ-7F405-A	57406-R
D76	Bearing, thrust	1	81-94	E1FZ-7F473-A	57408-R
D77	Bearing, caged	1	81-94	E1FZ-7F380-A	57401-R
E78	Bearing, caged 25/32" long .775"	1	81-83	E1FZ-7F403-A	57402-R
E78	Bearing, caged 27/32" long .845" bk oxide	1	83-94	E3FZ-7F403-A	57402A-R
n/i	Shim	ar	81-94	E3FZ-4067-A	57211
PUMP PARTS AND PUMPS					
A79	Pump assembly	1	81-94	ATX AE	57924-R
A79	Pump assembly	1	88-94	ATX AE	57924A-R
A82	Gear set, pump	1	81-94	ATX AE	K57201
A83	Insert, oil pump shaft/gear	1	81-94	ATX AE	57940-R
HARD PARTS					
B84	Drive shaft, pump	1	81-94	ATX E1FZ-7B328-A	57931-R
B87	Housing, direct clutch w/shaft	1	81-85	3 clutch E4FZ-7F283-A	57926-R
B87	Housing, direct clutch w/shaft	1	84-94	4 clutch E4FZ-7F283-B	57926A-R
A89	Housing, intermediate clutch	1	81-83	2 clutch E1FZ-7D044-A	57927-R
A89	Housing, intermediate clutch	1	82-89	3 clutch w/taper bearing diff E2FZ-7D044-A	57927A-R
A89	Housing, intermediate clutch	1	83-94	3 clutch w/roller bearing diff E3FZ-7D044-A	57927B-R
E90	Sleeve	1	87-94	converter turbine E7FZ-7A878-A	57922-R
D91	Ring gear 86T	1	81-84	intermediate/reverse clutch E3FZ-7A153-A	57932-R
D91	Ring gear 94T	1	84-94	intermediate/rev clutch (after 7/15/84) E4FZ-7A153-A	57932A-R
D91	Ring gear 3.79" oh 94T (3rd design)	1	86-94	intermediate/rev clutch (after 7/14/86) E7FZ-7A153-A	57932B-R
D94	Planetary assembly 29T	1	81-85	course pitch gears E1FZ-7A398-A	57933-R
D94	Planetary assembly 31T	1	84-86	fine pitch gears (7/84-1986) E4FZ-7A398-A	57933A-R
D94	Planetary assembly 31T	1	86-94	split pinion (7/86-1994) E7FZ-7A398-A	57933B-R
D95	Drum, w/sun gear low/intermediate 52T	1	81-84	1st design E1FZ-7A626-A	57929-R
D95	Drum, w/sun gear low/intermediate 56T	1	86-94	after 7/15/1984 E4FZ-7A626-A	57929A-R
D95	Drum, w/sun gear low/intermediate 56T	1	85-86	from 7/14/1986 E7FZ-7A626-A	57929B-R
E99	Bearing, ball .708" 1.565" id 3.148" od	2	83-94	differential E1FZ-4221-A	6208N
E99	Race, tapered (cup)	2	81-94	differential E1FZ-4204-A	49767
E99	Bearing, tapered (cone) 41mm id	2	81-94	differential E1FZ-4204-A	49768
E101	Governor assembly	1	82-86	ATX E3FZ-7C053-A	57615-R
E102	Gear, governor driven	1	81-94	ATX E2FZ-7F419-A	57616
E103	Gear, speedo drive 2 tabs 3 1/2"	1	81-94	ATX plastic 29T E3FZ-17285-B	57225A
E103	Gear, speedo drive 4 tabs	1	81-94	ATX E1FZ-17285-B	57225B-R
E103	Gear, speedo drive 4 tabs 8 notch	1	87-94	ATX E7RY-17285-A	57225C-R
E109	Differential, carrier assembly	1	81-84	ATX n/a	57936-R
E109	Differential, carrier assembly	1	84-86	ATX n/a	57936A-R
E109	Differential, carrier assembly	1	87-94	ATX n/a	57936B-R
E109	Differential, carrier assembly	1	92-94	ATX n/a	57936C-R
E110	Fitting, cooler line	1	81-94	large w/plastic insert E3AZ-7D273-A	96-207
E110	Fitting, cooler line	1	81-94	small w/plastic insert n/a	96-208
E113	Gear, final drive (input long) 27T	1	81-85	ATX E3FZ-7F342-A	57934-R
E113	Gear, final drive (input long) 22T	1	84-85	ATX E4FZ-7F342-A	57934A-R
E113	Gear, final drive (input long) 23T	1	81-94	ATX n/a	57934B-R
E113	Gear, final drive (input short) 23T	1	81-94	ATX n/a	57934C-R
E113	Gear, final drive (input long) 26T	1	81-94	ATX n/a	57934D-R
E113	Gear, final drive (input short) 27T	1	87-94	ATX n/a	57934E-R
E114	Gear, idler and bearing assembly	1	84-85	ATX (PMB 84-85 31T) E4FZ-7F475-A	57937-R
E114	Gear, idler and bearing assembly 40T	1	86-86	ATX E5FZ-7F475-A	57937A-R
E114	Gear, idler and bearing assembly 39T	1	86-87	ATX E6TZ-7F475-A	57937B-R



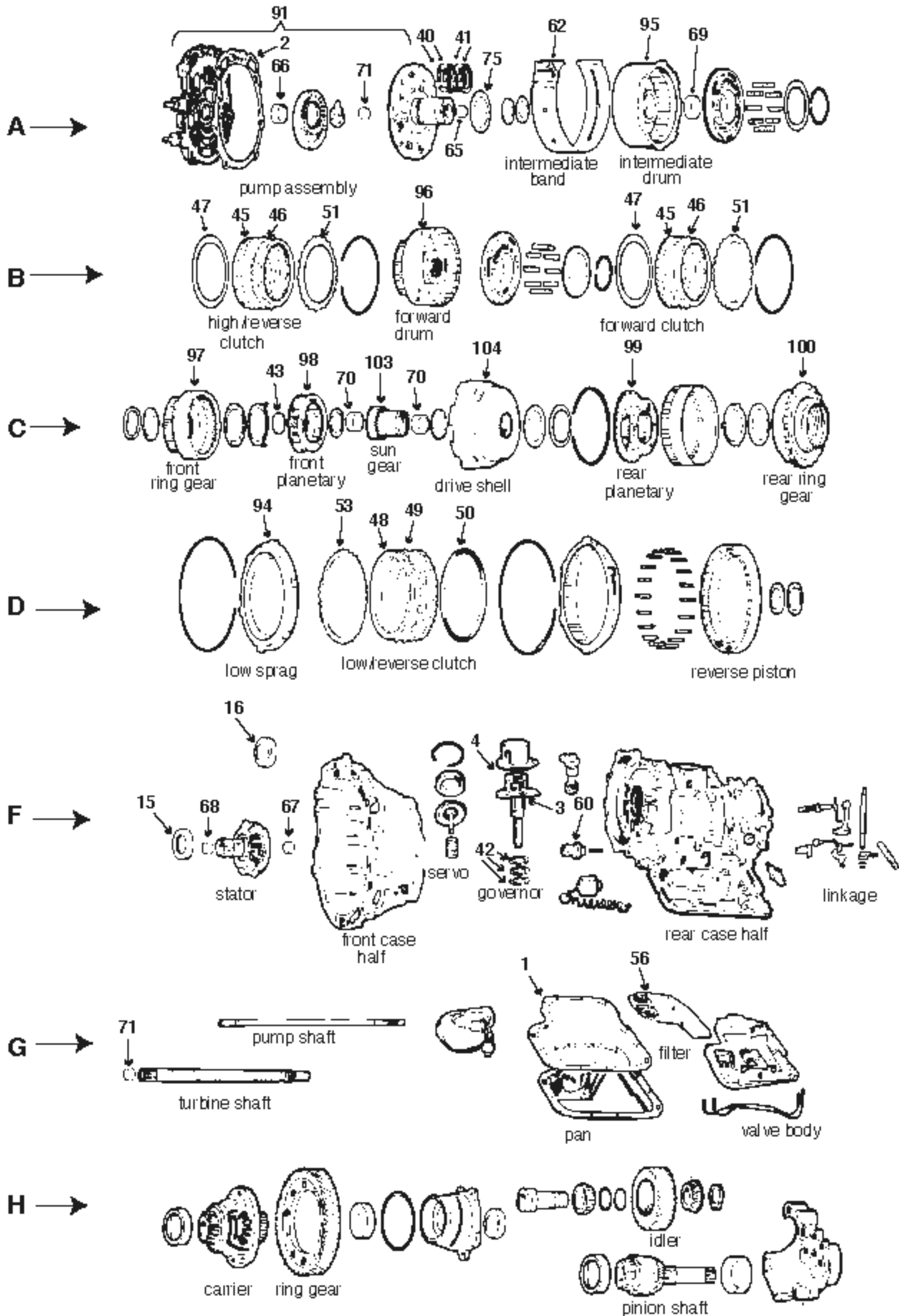
Our Enhanced AW 55-50 Solenoids provide better performance and can save you money.

They're just the beginning of a whole new generation of solenoids that will change the industry.

Rostra Performance Class
ENHANCED LINEAR SOLENOIDS

Over 200 electronic parts covering more than 500 different vehicle applications

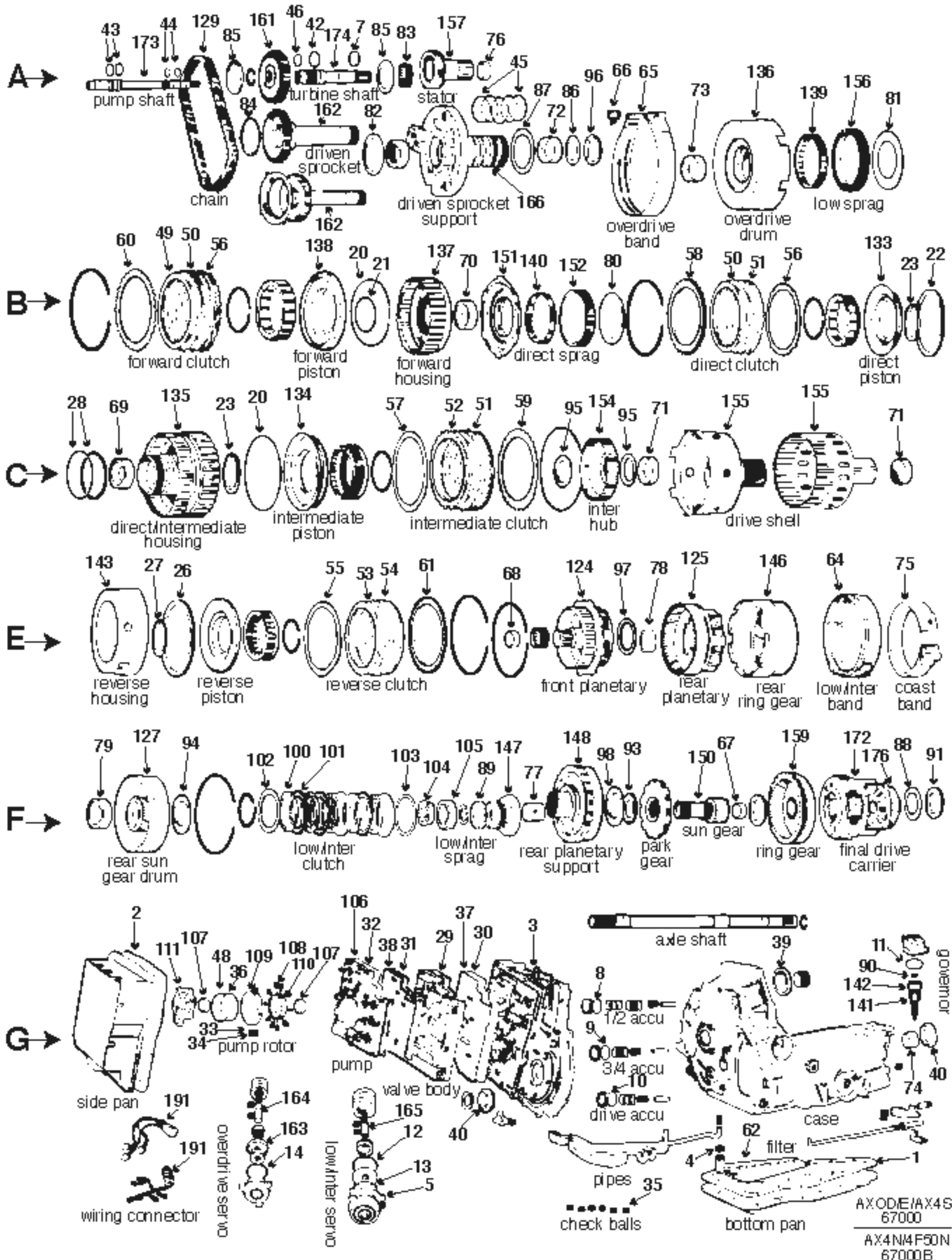
Rostra



F3A
65000

ILL	DESCRIPTION	QTY	YEAR	REFERENCE #	PART #	
REBUILDER KITS						
K4	Master deluxe rebuild kit	F3A (Jatco)	1	81-97	AE	K6500-R
K5	Master kit w/steels	F3A (Jatco)	1	81-97	AE	K6500
K6	Master kit w/o steels	F3A (Jatco)	1	81-97	AE	K6500-LS
K7	O/H gasket set w/seals-rings	GM/Isuzu (axle seals not included)	1	81-97	AE	K65900
K11	Gasket and seal kit	F3A (Jatco)	1	81-97	AE	K65900-1
GASKETS AND RUBBER COMPONENTS						
G1	Gasket, oil pan	F3A (Jatco) neoprene/cork	1	81-97	94140737	13190X
G1	Gasket, oil pan	F3A (Jatco) Duraprene®	1	81-97	94140737F	13190D
A2	Gasket, oil pump	F3A (Jatco)	1	81-97	94140705	13784
F3	Gasket, governor	F3A (Jatco)	1	81-97	94140811	13785
F4	Gasket, governor cover	F3A (Jatco)	1	81-97	94140813	13786
n/i	O'ring	F3A (Jatco) filler tube	1	81-97	94000710	23859
n/i	O'ring	F3A (Jatco) manual lever shaft	1	81-97	9954-10-1001	13103
n/i	O'ring	F3A (Jatco) modulator/solenoid	2	81-97	94140714	13822
n/i	O'ring	F3A (Jatco) speedo sleeve	1	81-97	1011-17-443	23861
METAL CLAD SEALS						
F15	Seal, metal clad	F3A (Jatco) front	1	81-97	9410686	65200
F16	Seal, metal clad	Mazda (left/right axle)	2	81-97	FU03-27-238	63201
F16	Seal, metal clad	GM/Isuzu (left/right axle)	2	85-97	8666007	51201
n/i	Seal, metal clad 16x7x6mm	F3A (Jatco) speedometer	1	81-97	9958-60-8166	50207
SEALING RINGS						
K10	Kit, sealing ring	F3A (Jatco)	1	81-97	AE	K65300
A40	Sealing ring (metal)	F3A (Jatco) pump stator (front)	2	81-97	94140825	45300
A41	Sealing ring (metal)	F3A (Jatco) pump stator (rear)	2	81-97	94140826	45302
F42	Ring, sealing	F3A (Jatco) governor	3	81-97	34140899	65301T
C43	Ring, sealing	F3A (Jatco) lube oil	1	81-97	FT05-19-538	45303
CLUTCH PLATES						
B45	Friction .061" 4.530" od 44T	F3A (Jatco) forward/direct clutch	7/8	81-97	94140870	45103
B46	Steel .063" 3.625" id 28T	F3A (Jatco) forward/direct clutch	7/8	81-97	94140871	65101
B47	Steel, dished (not in kits)	F3A (Jatco) forward/direct clutch	2	81-97	94140869	45104-R
D48	Friction .061" 5.790" 62T	F3A (Jatco) low/reverse clutch	4/5	81-97	94140788	65104
D49	Steel .059" 5.123" 37T	F3A (Jatco) low/reverse clutch	4/5	81-97	94140789	65105
D50	Steel, dished	F3A (Jatco) low/reverse clutch	1	81-97	FT01-19-608	65107-R
PRESSURE PLATES						
B51	Pressure plate .189"	F3A (Jatco) forward/direct clutch	sel	81-97	94140874	65716-R
B51	Pressure plate .197"	F3A (Jatco) forward/direct clutch	sel	81-97	3959-19-505	65716A-R
B51	Pressure plate .205"	F3A (Jatco) forward/direct clutch	sel	81-97	3959-19-506	65716B-R
B51	Pressure plate .213"	F3A (Jatco) forward/direct clutch	sel	81-97	3959-19-507	65716C-R
B51	Pressure plate 5.6mm	F3A (Jatco) forward/direct clutch	sel	81-97	3959-19-508	65716D-R
B51	Pressure plate 5.8mm	F3A (Jatco) forward/direct clutch	sel	81-97	3959-19-509	65716E-R
B51	Pressure plate 6.0mm	F3A (Jatco) forward/direct clutch	sel	81-97	0338-19-515	65716F-R
D53	Pressure plate 7.8mm	F3A (Jatco) low/reverse clutch	sel	81-97	FT01-19-618B	65718-R
D53	Pressure plate 8.0mm	F3A (Jatco) low/reverse clutch	sel	81-97	FT01-19-617B	65718A-R
D53	Pressure plate 8.2mm	F3A (Jatco) low/reverse clutch	sel	81-97	FT01-19-613B	65718B-R
D53	Pressure plate 8.4mm	F3A (Jatco) low/reverse clutch	sel	81-97	FT01-19-614B	65718C-R
D53	Pressure plate 8.6mm	F3A (Jatco) low/reverse clutch	sel	81-97	FT01-19-615B	65718D-R
D53	Pressure plate 8.8mm	F3A (Jatco) low/reverse clutch	sel	81-97	FT01-19-616B	65718E-R
FILTERS						
K9	Kit, filter	Mazda (neoprene/cork)	1	81-87	AE	FK65800
K9	Kit, filter	Mazda (Duraprene®)	1	81-87	AE	DK65800
K9	Kit, filter	1985-86 GM/1980-84 Isuzu (neoprene/cork)	1	85-89	AE	FK65800A
K9	Kit, filter	1985-86 GM/1980-84 Isuzu (Duraprene®)	1	85-89	AE	DK65800A
K9	Kit, filter	Mercury Tracer (neoprene/cork)	1	87-90	AE	FK65800B

ILL	DESCRIPTION	QTY	YEAR	REFERENCE #	PART #
FILTERS (CONTINUED)					
K9	Kit, filter	1	87-90	AE	DK65800B
K9	Kit, filter (with tube)	1	87-97	AE	FK65800C
K9	Kit, filter (with tube)	1	87-97	AE	DK65800C
K9	Kit, filter	1	88-93	AE	FK65800D
K9	Kit, filter	1	88-93	AE	DK65800D
K9	Kit, filter (with short tube)	1	94-97	AE	FK65800E
K9	Kit, filter (with short tube)	1	94-97	AE	DK65800E
G56	Filter	1	81-87	FT01-19-815	65800
G56	Filter	1	85-89	94413320	65800A
G56	Filter	1	87-90	E7GZ-7A098A	65800B
G56	Filter (with tube)	1	87-97	94428489	65800C
G56	Filter	1	88-93	E9BZ-7A098-A	65800D
G56	Filter (with short tube)	1	94-97	F4BZ-7A098-A	65800E
MODULATORS					
F60	Modulator, vacuum	1	81-93	94140717	45820A
F60	Modulator, vacuum	1	94-97	F4BZ-7A337-A	46820B
BANDS					
A62	Band, intermediate (flex)	1	81-97	94140765	65700
BUSHINGS					
K13	Kit, bushing	1	81-97	AE	K65901
A65	Bushing	1	81-97	31452-X5000	65002
A66	Bushing	1	81-97	31358-X5000	65004
A67	Bushing 23.10" od x 15.30" ht	1	81-84	31343-X5000	65005
A67	Bushing 23.85" od x 13.20" ht	1	85-97	31343-X5100	65009
A68	Bushing 23.85" od x 8.30" ht	1	85-97	31375-X5100	65009A
A69	Bushing	1	85-97	31513-X5000	65006
C70	Bushing	2	81-97	31462-X5000	65007
AG71	Bushing	2	81-97	31353-X5000	65003
n/i	Bushing 36mm od	1	94-97	31137-X5000	65001
n/i	Bushing 37mm od	1	81-97	n/a	65001A
n/i	Bushing	1	81-97	31883-X5000	65008
WASHERS/BEARINGS/RACES/SHIMS					
A75	Washer, thrust .065"	sel	81-97	94144370	45400B
A75	Washer, thrust .077"	sel	81-97	94144769	45400C
A75	Washer, thrust .085"	sel	81-97	94144365	45400D
A75	Washer, thrust .093"	sel	81-97	94144366	45400E
A75	Washer, thrust .097"	sel	81-97	94144367	45400F
PUMP PARTS AND PUMPS					
A91	Pump, assembly w/gears	1	81-97	94140704	65910-R
HARD PARTS					
A95	Drum, direct clutch (front)	1	81-97	94140864	65921-R
B96	Drum, forward clutch (rear)	1	81-97	94140876	65922-R
C97	Gear, ring (w/id groove)	1	81-97	94140773	65924-R
C97	Gear, ring (w/o id groove)	1	81-97	97014289	65924A-R
C98	Planetary, front (1 groove 3 gears)	1	81-97	94140729	65925-R
C98	Planetary, front (1 groove 4 gears)	1	81-97	FT01-19-540A	65925A-R
C98	Planetary, front (no groove 3 gears)	1	81-97	97014292	65925B-R
C99	Planetary, rear (1 groove)	1	81-97	94140787	65930-R
C99	Planetary, rear (no groove)	1	81-97	97014288	65930A-R
C100	Gear, ring (w/id groove)	1	81-97	FT01-19-533	65931-R
C100	Gear, ring (w/o id groove)	1	81-97	F4BZ-7A153-A	65931A-R
C103	Gear, sun (1 groove)	1	81-97	94140781	65926-R
C103	Gear, sun (no groove)	1	81-97	97014291	65926A-R



ILL	DESCRIPTION	QTY	YEAR	REFERENCE #	PART #
TECHNICAL MANUALS					
K53	Tech manual Ford AXOD dis/assembly	1	86-91	83-AXODTM	010-206
K53	Update handbook changes, parts interchange	1	86-91	83-AXODTM-U1	010-209
K53	Tech manual Ford AXODE dis/assembly	1	91-03	83-AXODETM	010-211
K53	Tech manual Ford AX4N dis/assembly	1	95-07	83-AX4NTM	010-217
REBUILDER KITS					
K4	Master deluxe rebuild kit	1	86-90	AE	K6700-R
K4	Master deluxe rebuild kit	1	91-98	AE	K6700E-R
K4	Master deluxe rebuild kit	1	91-98	AE	K6700C-R
K4	Master deluxe rebuild kit	1	96-98	AE	K6700G-R
K4	Master deluxe rebuild kit	1	99-03	AE	K6700D-R
K4	Master deluxe rebuild kit	1	95-99	AE	K6700B-R
K4	Master deluxe rebuild kit	1	00-03	AE	K6700F-R
K4	Master deluxe rebuild kit	1	04-07	AE	K6700H-R
K4	Master deluxe rebuild kit	1	04-07	AE	K6700J-R
K4	Master deluxe rebuild kit	1	00-07	AE	K6700K-R
K4	Master deluxe rebuild kit	1	00-07	AE	K6700L-R
K4	Master deluxe rebuild kit	1	95-99	AE	K6700N-R
K5	Master kit w/steels	1	86-90	AE	K6700
K5	Master kit w/steels	1	91-98	AE	K6700E
K5	Master kit w/steels	1	91-98	AE	K6700C
K5	Master kit w/steels	1	96-98	AE	K6700G
K5	Master kit w/steels	1	99-03	AE	K6700D
K5	Master kit w/steels	1	95-99	AE	K6700B
K5	Master kit w/steels	1	00-03	AE	K6700F
K5	Master kit w/steels	1	04-07	AE	K6700H
K5	Master kit w/steels	1	04-07	AE	K6700J
K5	Master kit w/steels	1	00-07	AE	K6700K
K5	Master kit w/steels	1	00-07	AE	K6700L
K5	Master kit w/steels	1	95-99	AE	K6700N
K6	Master kit w/o steels	1	86-90	AE	K6700-LS
K6	Master kit w/o steels	1	91-98	AE	K6700E-LS
K6	Master kit w/o steels	1	91-98	AE	K6700C-LS
K6	Master kit w/o steels	1	96-98	AE	K6700G-LS
K6	Master kit w/o steels	1	99-03	AE	K6700D-LS
K6	Master kit w/o steels	1	95-99	AE	K6700B-LS
K6	Master kit w/o steels	1	00-03	AE	K6700F-LS
K6	Master kit w/o steels	1	04-07	AE	K6700H-LS
K6	Master kit w/o steels	1	04-07	AE	K6700J-LS
K6	Master kit w/o steels	1	00-07	AE	K6700K-LS
K6	Master kit w/o steels	1	00-07	AE	K6700L-LS
K6	Master kit w/o steels	1	95-99	AE	K6700N-LS
K7	O/H gasket set w/seals-rings	1	86-90	AE	K67900
K7	O/H gasket set w/seals-rings	1	91-98	AE	K67900E
K7	O/H gasket set w/seals-rings	1	99-03	AE	K67900D
K7	O/H gasket set w/seals-rings	1	95-99	AE	K67900B
K7	O/H gasket set w/seals-rings	1	00-03	AE	K67900F
K7	O/H gasket set w/seals-rings	1	00-03	AE	K67900G
K7	O/H gasket set w/seals-rings	1	04-07	AE	K67900H
K7	O/H gasket set w/seals-rings	1	04-07	AE	K67900J
K7	O/H gasket set w/seals-rings	1	00-07	AE	K67900K
K7	O/H gasket set w/seals-rings	1	00-07	AE	K67900L
K7	O/H gasket set w/seals-rings	1	95-99	AE	K67900N
K8	External seal kit	1	86-95	AE	K67900-2

AXOD•E•AX4N•4F50N

AXOD•AXODE•AX4N•4F50N

AXOD•E•AX4N•4F50N

ILL	DESCRIPTION	QTY	YEAR	REFERENCE #	PART #
REBUILDER KITS (CONTINUED)					
K11	Gasket and seal kit AXODE/AX4S	1	91-98	AE	K67900E-1
K11	Gasket and seal kit AX4N (w/o pistons)(Duraprene®)	1	95-99	AE	K67900N-1
K43	Kit, bonded piston AXODE/AX4S	1	95-97	AE	K67585
K43	Kit, bonded piston AXODE/AX4S	1	98-03	AE	K67586
K43	Kit, bonded piston AX4N	1	95-97	AE	K67587
K43	Kit, bonded piston AX4N/4F50N	1	98-07	AE	K67588
VALVE BODY KITS					
K15	NoYoYo planetary lube/soft shifts planet lube/soft shifts slides and bumps	1	86-91	SK® AXOD	K67908
K15	Shift Kit® planetary lube/soft shifts AXODE/AX4S (slides and bumps)	1	91-03	SK® AXODE	K67908E
K15	Shift Kit® planetary lube/no up shift neut on slow corners/2nd fail/rough shift	1	96-03	SK® AXODE-Jr	K67908E-JR
K15	Shift Kit® AX4N/4F50N (call for fixes)	1	95-07	SK® AX4N	K67908B
K15	Shift Correction Package call for fixes	1	86-91	KAXOD	S67908
K15	Shift Correction Package call for fixes	1	91-03	KAXOD-E	S67908E
n/i	Lube correction package AXOD	1	86-91	KAXOD-L	S67910
GASKETS AND RUBBER COMPONENTS					
G1	Gasket, oil pan AXOD (neoprene/cork)	1	86-95	E6DZ-7A191-A	13995X
G1	Gasket, oil pan AXOD (Duraprene®)	1	86-95	E6DZ-7A191-AF	13995D
G1	Gasket, oil pan AXODE/AX4S (elasomeric)	1	96-03	F6DZ-7A191-A	13995R
G1	Gasket, oil pan AX4N (neoprene/cork)	1	95-95	F5DZ-7A191-A	13995AX
G1	Gasket, oil pan AX4N/4F50N (elasomeric)	1	96-07	E6DZ-7A191-B	13995AR
G2	Gasket, side cover AXOD/E (neoprene/cork)	1	86-95	E6DZ-7F396-A	13935D
G2	Gasket, side cover AXOD/E (neoprene/cork)	1	86-95	E6DZ-7F396-AF	13935D
G2	Gasket, side cover AXODE/AX4S (elasomeric)	1	96-03	F6DZ-7F396-A	13935R
G2	Gasket, side cover AX4N (neoprene/cork)	1	95-95	F5DZ-7F396-A	13935AX
G2	Gasket, side cover AX4N (elasomeric)	1	96-99	F6DZ-7F396-B	13935AR
G2	Gasket, side cover (w/aluminum cover) AX4N/4F50N (molded rubber)	1	00-07	YF1Z-7F396-AA	13935BR
G2	Gasket, side cover (w/steel cover) AX4N/4F50N (molded rubber)	1	00-07	YF1Z-7F396-BA	13935CR
G3	Gasket, channel plate/case AXOD/E	1	86-99	E6DZ-7G303-A	13936
G3	Gasket, channel plate/case AX4N	1	95-99	F8DZ-7G303-AA	13936A
G3	Gasket, channel plate/case AX4S	1	00-03	YF1Z-7G303-AA	13936B
G3	Gasket, channel plate/case AX4N/4F50N	1	98-03	YF3Z-7G303-AA	13936C
G3	Gasket, channel plate/case AX4N/4F50N	1	04-07	4F1Z-7G303-B	13936D
G4	O'ring AXOD (filter)	2	86-88	E6DZ-7A469-A	13937
G4	Seal, multi lip AXOD/E (filter)	1	88-07	n/a	13844
G5	Gasket AXOD/E/AX4S (low/intermediate servo cover)	1	86-03	F2DZ-7D026-A	13938
A7	O'ring AXOD/E (turbine shaft 23 spline)	1	86-94	87022-S96	23020
A7	O'ring (2 green stripes) turbine shaft (25 spline)	1	94-07	FOTZ-6749-B	23020A
G8	Seal, lathe cut AXOD/E/AX4S (1st/2nd accumulator piston)	1	86-03	E6DZ-7G095-A	23052
G8	Seal, lathe cut 1-2/2-3/N-D accumulator piston	3	95-07	F5DZ-7G095-A	23049
G9	Seal, lathe cut 3rd/4th accumulator piston	1	86-07	E6DZ-7F248-A	23051
G10	O'ring AXOD/E/AX4S (drive accumulator piston)	1	86-03	E6DZ-7G275-A	23053
G11	O'ring AXOD/E/AX4S (governor/speedo cover)	1	86-03	N803201-S	13940
G12	O'ring low/intermediate servo piston	1	86-03	E6DZ-7D025-A	23233
G13	O'ring AXOD/E/AX4S (low/intermediate servo cover)	1	86-03	E6DZ-7D040-A	23872
G14	Seal, lathe cut thick wall overdrive servo cover	1	86-07	E6DZ-7D024-A	13939
G14	Seal, lathe cut AXOD (thin wall overdrive servo cover)	1	86-90	E6DZ-7D024-B	13939A
BC20	Lip seal fwd/inter clutch (outer long lip)	2	86-03	E6DZ-7F224-A	23167
BC20	Lip seal fwd/inter clutch (outer short lip)	1	86-03	F3DZ-7F224-A	23167A
B21	Lip seal forward clutch (inner long lip)	1	86-03	E6DZ-7A548-B	23170
B21	Lip seal forward clutch (inner short lip)	1	86-07	F3DZ-7A548-B	23170A
B22	Lip seal direct clutch (outer long lip)	1	86-03	E6DZ-7A548-A	23165
B22	Lip seal direct clutch (outer short lip)	1	86-03	F3DZ-7A548-A	23165A
BC23	Lip seal inter/direct clutch (inner long lip)	1/2	86-03	E6DZ-7G240-A	23164

ILL	DESCRIPTION	QTY	YEAR	REFERENCE #	PART #	
GASKETS AND RUBBER COMPONENTS (CONTINUED)						
BC23	Lip seal		inter/direct clutch (inner short lip)	1/2	86-07 F3DZ-7F225-B	23164A
C23	D'ring		inter/direct clutch (inner)	1	95-07 F3DZ-7F225-A	23164B
BC23	D'ring		SHO only (inter/direct clutch inner)	1/2	93-95 F3DZ-7F225-A	23164B
E26	Lip seal		reverse clutch piston (outer)	1	86-07 E6SP-7D403-AA	23166
E27	Lip seal		reverse clutch (inner long lip)	1	86-03 E6DZ-7D404-A	23163
E27	Lip seal		reverse clutch (inner short lip)	1	86-07 F3DZ-7D404-A	23163A
C28	O'ring		intermediate/direct hub	2	86-07 E6DZ-7G102-A	23039
G29	Gasket, spacer plate to channel plate		AXOD (no stripe)	1	86-86 E6DZ-7C155-A	13814
G29	Gasket, spacer plate to channel plate		AXOD (white stripe)	1	87-87 E7DZ-7C155-A	13814A
G29	Gasket, spacer plate to channel plate		AXOD (yellow stripe)	1	88-90 E8DZ-7C155-A	13814B
G29	Gasket, spacer plate to channel plate		AXODE (orange stripe)	1	91-98 F1DZ-7C155-A	13814C
G29	Gasket, spacer plate to channel plate		AX4N (yellow stripe)	1	95-97 FDB-12957	13814D
G29	Gasket, spacer plate to channel plate		AX4N/4F50N (orange stripe)	1	98-03 FDB-12960	13814E
G29	Gasket, spacer plate to channel plate		AXODE/AX4S (yellow stripe)	1	99-03 XF2Z-7C155-AA	13814F
G29	Gasket, spacer plate to channel plate		AX4N/4F50N	1	04-07 FDB-36213	23814
G30	Gasket, valve body to spacer plate		AXOD (no stripe)	1	86-86 E6DZ-7D100-A	13813
G30	Gasket, valve body to spacer plate		AXOD (white stripe)	1	87-87 E7DZ-7D100-A	13813A
G30	Gasket, valve body to spacer plate		AXOD (yellow stripe)	1	88-90 E8DZ-7D100-A	13813B
G30	Gasket, valve body to spacer plate		AXODE/AX4S (green stripe)	1	91-98 F3DZ-7D100-A	13813C
G30	Gasket, valve body to spacer plate		AX4N (white stripe)	1	95-97 FDB-12958	13813D
G30	Gasket, valve body to spacer plate		AX4N/4F50N (green stripe)	1	98-03 FDB-12959	13813Y
G30	Gasket, valve body to spacer plate		AXODE/AX4S (blue stripe)	1	99-03 XF2Z-72100-AA	13813Z
G30	Gasket, valve body to spacer plate		AX4N/4F50N	1	04-07 FDB-36212	23813
G31	Gasket, pump plate to valve body		AXOD (no stripe)	1	86-86 E6DZ-7A136-A	13811
G31	Gasket, pump plate to valve body		AXOD (white strip)	1	87-87 E7DP-7A136AA	13811A
G31	Gasket, pump plate to valve body		AXOD (yellow stripe)	1	88-90 E8DZ-7A136-A	13811B
G31	Gasket, pump plate to valve body		3.8 engine (blue stripe)	1	90-90 E9OY-7A136-A	13811C
G31	Gasket, pump plate to valve body		AXODE/AX4S (green stripe)	1	91-03 F1DZ-7A136-A	13811D
G31	Gasket, pump plate to valve body		AX4N	1	95-97 F5DZ-7A136-A	13811T
G31	Gasket, pump plate to valve body		AX4N/4F50N (orange stripe)	1	98-03 F8DZ-7A136-AA	13811U
G31	Gasket, pump plate to valve body		AX4N/4F50N	1	04-07 4F1Z-7A136-AA	13811V
G32	Gasket, pump to pump plate		AXOD (no stripe)	1	86-86 E6DZ-7G331-A	13812
G32	Gasket, pump to pump plate		AXOD (white stripe)	1	87-87 E7DZ-7G331-A	13812A
G32	Gasket, pump to pump plate		AXOD (yellow stripe)	1	88-90 E8DZ-7G331-A	13812B
G32	Gasket, pump to pump plate		AXOD (blue strip 3.8L)	1	90-90 E9OY-7G331-A	13812C
G32	Gasket, pump to pump plate		AXODE/AX4S (green stripe)	1	91-03 F3DZ-7G331-A	13812D
G32	Gasket, pump to pump plate		AX4N (no stripe)	1	95-97 F4DZ-7G331-A	13812T
G32	Gasket, pump to pump plate		AX4N/4F50N (orange stripe)	1	98-03 F8DZ-7G331-A	13812U
G32	Gasket, pump to pump plate		AX4N/4F50N	1	04-07 4F1Z-7G331-AA	13812V
G33	Seal (rubber)		AXOD/E/AX4S/AX4N/4F50N (pump slide)	1	86-07 8631283	13762
G34	Seal (teflon)		AXOD/E/AX4S/AX4N/4F50N (pump slide)	1	86-07 E6DZ-7G283-A	13768
G35	Ball, check 5/16" od (viton)		AXOD/E/AX4S/AX4N/4F50N (valve body)	ar	86-07 373184-S	13923A
G36	O'ring		AXOD/E/AX4S/AX4N/4F50N (pump slide)	1	86-07 373184-S	23041
G37	Gasket, bonded (id 31)		AXODE/AX4S SHO (valve body)	1	94-95 F5DZ-7Z490-B	13813E
G37	Gasket, bonded (id 40)		AXODE/AX4S (valve body)	1	94-95 F5DZ-7Z490-C	13813F
G37	Gasket, bonded (id 41)		AXODE/AX4S (3.8L valve body)	1	94-95 F5DZ-7Z490-D	13813G
G37	Gasket, bonded (id 58)		AXODE/AX4S (3.8L valve body)	1	95-95 F58Z-7Z490-A	13813H
G37	Gasket, bonded (id 53)		AXODE/AX4S (3.0L valve body)	1	95-95 F58Z-7Z490-B	13813J
G37	Gasket, bonded (id 42 replaces 63/97)		AXODE/AX4S (3.0L valve body)	1	96-97 F6DZ-7Z490-C	13813K
G37	Gasket, bonded (id 47 replaces 67/69)		AXODE/AX4S (3.8L valve body)	1	96-97 F68Z-7Z490-A	13813L
G37	Gasket, bonded (id 98)		AXODE/AX4S (3.0L/3.8L valve body)	1	98-98 F88Z-7Z490-AA	13813X
G37	Gasket, bonded (id 95 replaces 94/99)		AXODE/AX4S (3.0L/3.8L valve body)	1	99-03 XF2Z-7Z490-AA	13814G
G37	Gasket, bonded (id 00)		AXODE/AX4S (3.0L valve body)	1	00-03 YF1Z-7Z490-AA	13814J

AXOD•AXODE•AX4N•4F50N

AXOD•E•AX4N•4F50N

ILL	DESCRIPTION	QTY	YEAR	REFERENCE #	PART #	
GASKETS AND RUBBER COMPONENTS (CONTINUED)						
G37	Gasket, bonded (no id)	AX4N (3.0L valve body)	1	95-95	F5DZ-7Z490-A	13813M
G37	Gasket, bonded (id 13 or 14)	AX4N (3.0L valve body)	1	96-97	F6DZ-7Z490-B	13813N
G37	Gasket, bonded (id 15)	AX4N (SHO 3.4L valve body)	1	96-97	F6DZ-7Z490-D	13813Q
G37	Gasket, bonded (id 11)	AX4N (4.6L valve body)	1	95-97	F5OZ-7Z490-A	13813R
G37	Gasket, bonded (id 87)	AX4N (3.0L 2V valve body)	1	98-99	F8DZ-7Z490-BA	13813S
G37	Gasket, bonded (id 86)	AX4N (3.0L 4V valve body)	1	98-99	F8DZ-7Z490-AA	13813T
G37	Gasket, bonded (id 85)	AX4N (SHO 3.4L valve body)	1	98-99	F8DZ-7Z490-CA	13813U
G37	Gasket, bonded (id 84)	AX4N (4.6L valve body)	1	98-98	F8OZ-7Z490-AA	13813V
G37	Gasket, bonded (id 03 replaces 90)	AX4N (4.6L valve body)	1	99-00	XF3Z-7Z490-AA	13813W
G37	Gasket, bonded (id 05)	AX4N/4F50N (3.0L valve body)	1	01-03	1FRZ-7Z490-CA	13814K
G37	Gasket, bonded (id 04)	AX4N/4F50N (4.6L valve body)	1	01-02	1F3Z-7Z490-AA	13814L
G37	Gasket, bonded (id 01)	AX4N/4F50N (all valve body)	1	04-05	4F1Z-7Z490-AA	13814M
G38	Gasket, bonded (id AH)	AXODE/AX4S (pump gasket)	1	94-95	F5DZ-7R167-A	13811E
G38	Gasket, bonded (id 51)	AXODE/AX4S (pump gasket)	1	95-98	F58Z-7R167-A	13811F
G38	Gasket, bonded (id 99)	AXODE/AX4S (pump gasket)	1	99-03	XF2Z-7R167-AA	13811G
n/i	O'ring	AXOD/E (speedo housing)	1/2	86-03	N802927-S	3410L
n/i	O'ring	AX4N/4F50N (electrical connector)	1	95-07	n/a	23074
n/i	Multi lip seal (boot)	AXOD (throttle cable)	1	86-90	E6DZ-7F429-A	23483
n/i	Multi lip seal (boot)	AXOD/E/AX4S/AX4N/4F50N (filler tube)	1	86-07	E2FZ-7N243-A	13925
n/i	O'ring	AXOD/E/AX4S/AX4N/4F50N (speed sensors)	2/3	91-07	F1DZ-7Z101-A	23015
n/i	Seal, metal clad	AXOD/E (rear lube tube)	1	86-93	E6DZ-7G085-A	13969
n/i	Seal	AXODE/AX4S (rear lube tube)	1	93-03	F3DZ-7G085-A	13969A
n/i	Seal	rear lube to low intermediate tube	2	95-07	F5DZ-7G085-A	13969B
n/i	O'ring	AX4N/4F50N (rear lube tube)	1	95-07	N808020-S100	13918
n/i	O'ring	AX4N/4F50N (reverse clutch pipe)	1	95-07	N808021-S100	13268B
n/i	O'ring	coast servo/rev/low/int clutch pipe	3	95-07	N808022-S100	23066
n/i	O'ring	AX4N/4F50N (coast servo pipe)	1	95-07	N808023-S100	13710
n/i	O'ring	neutral/rev/accumulator piston	1	95-07	F5DZ-7H274-A	23068
n/i	O'ring	neutral/drive/accumulator cover	1	95-07	F5DZ-7H277-A	23069
n/i	O'ring	AXODE (lock-up/TCC/shift solenoid small)	1/4	86-90	F1DZ-72484-A	13918
n/i	O'ring	lock-up/TCC/shift solenoid large	4	91-03	F1DZ-7Z484-B	23070
n/i	O'ring	press regulator solenoid (small)	1	91-07	F1DZ-7Z144-A	23071
n/i	O'ring	press regulator solenoid (large)	1	91-07	F1DZ-7Z144-B	23072
n/i	O'ring	AX4N/4F50N (vehicle speed sensor)	1	95-07	F3AZ-17198-A	23073
METAL CLAD SEALS						
G39	Seal, metal clad	AXOD/E/AX4S/AX4N/4F50N (front)	1	86-07	E6DZ-7F401-A	67200
G40	Seal, metal clad	AXOD/E/AX4S/AX4N (all differential axle)	2	86-03	E6DZ-1177-A	67201
G40	Seal, metal clad (axle stabilizer)	AXOD/E/AX4S (drive in type Teckpak)	1	86-03	16522	57206
G40	Seal, metal clad (rubber coated)	AX4N/4F50N (differential axle)	2	00-07	2F1Z-1177-AA	67201A
n/i	Seal, metal clad	manual lever shaft	1	86-07	E6DZ-7F337-A	67202
n/i	Seal, metal clad	AXOD/E/AX4S/AX4N (pump shaft)	1	86-99	E6SP-7N089	67203
SEALING RINGS						
K10	Kit, sealing ring	AXOD/E/AX4S/AX4N/4F50N	1	86-07	AE	K67903T
A42	Ring, sealing	turbine shaft front	1	86-07	E6DZ-7G091-A	67300T
A43	Ring, sealing	AXOD/E/AX4S/AX4N/4F50N (pump shaft rear)	2	86-07	E6DZ-7G092-A	67305T
A44	Ring, sealing	AXOD/E/AX4S/AX4N/4F50N (pump shaft front)	2	86-07	E6DZ-7G093-A	67306T
A45	Ring, sealing (teflon)	AXOD/E/AX4S/AX4N/4F50N (forward/ direct)	5	86-07	E8DZ-7D019-A	67301T
A45	Ring, sealing (cast iron)	AXOD/E/AX4S/AX4N/4F50N (forward/ direct)	5	86-07	E6DZ-7A019-AM	67301
A46	Ring, sealing	turbine shaft rear	1	86-07	E6DZ-7G090-A	67310
G47	Ring, sealing	AXOD (governor)	1	86-91	E6SP-7G174-AB	67307T
G48	Ring, sealing (solid)(metal)(not in kit)	AXOD/E/AX4S/AX4N/4F50N (pump slide)	1	86-07	E6DZ-7G281-A	67302

ILL	DESCRIPTION	QTY	YEAR	REFERENCE #	PART #
CLUTCH PLATES					
B49	Friction .065" 5.750" od 52T AXOD (forward clutch)	3	86-91	E6DZ-7B164-B	67304
B49	Friction .065" 5.750" od 57T forward clutch (large id)	3/4	91-07	F2DZ-7B164-A	67304A
B50	Steel .070" 4.715" id 34T AXOD (forward/direct clutch)	8	86-91	E6DZ-7B442-A	67305
B50	Steel .069" 4.935" id 34T forward clutch (large id)	3/4	91-07	F2DZ-7B442-A	67305A
B50	Steel .070" 4.715" id 34T (Kolene®) AX4N/4F50N (direct clutch)	5	95-99	F5OZ-7B442-C	67305K
B50	Steel .093" 4.715" id 34T (Kolene®) AX4N/4F50N (direct clutch)	5	00-07	F7DZ-7B442-BA	67405AK
BC51	Friction .065" 5.750" od 63T AXOD/E (direct/intermediate clutch)	8/9	86-95	E8DZ-7B164-A	67404
BC51	Friction .065" 5.750" od 63T (high energy) direct/intermediate clutch	9	95-99	F8DZ-7B164-BA	67404A
BC51	Friction .065" 5.750" od 63T (high energy) AX4N/4F50N (direct/intermediate clutch)	9	00-07	XF2P-7B164-AB	67404B
C52	Steel .089" 4.715" id 34T AXOD (intermediate clutch to 4/17/89)	5	86-89	E6DZ-7B442-B	67405
C52	Steel .070" 4.715" id 34T AXOD/E (intermediate clutch from 4/18/89)	5	89-95	E6DZ-7B442-A	67305
C52	Steel .070" 4.715" id 34T (Kolene®) AX4N/4F50N (intermediate clutch)	5	96-07	F5OZ-7B442-AA	67305K
C52	Steel .093" 4.715" id 32T intermediate clutch	5	99-07	F5DZ-7B442-BA	67405A
C52	Steel .093" 4.715" id 34T (Kolene®) AX4N (intermediate clutch)(3.4L/SHO only)	4	96-07	F7DZ-7B442-BA	67405AK
E53	Friction .069" 5.980" od 49T (waffle) AXOD/E/AX4S/AX4N/4F50N (reverse clutch)	4	86-07	E6DZ-7B164-C	67504
E54	Steel .070" 4.815" id 54T AXOD/E/AX4S/AX4N/4F50N (reverse clutch)	4	86-07	E6DZ-7B442-C	67505
E54	Steel .059" 4.815" id 52T reverse clutch (3.4L/4.6L only)	ar	95-07	F8OZ-7B442-BA	67505A
E55	Steel, waved 4.797" id AXOD/E/AX4S (reverse clutch)(cushion)	1	86-03	E6DZ-7E085-A	67307
B56	Steel, waved .062" 4.719" id 4T AXOD (forward clutch)(cushion)	1	86-88	E6DZ-7E085-B	67307A
B56	Steel, waved .072" AXODE (forward clutch)(cushion)	1	89-91	F0TZ-7E085-A	67715B
B56	Steel, waved .083" (large id) forward clutch (cushion)	1	91-07	F2DZ-7E085-A	67715C
C57	Steel, waved .062" AXOD (intermediate clutch)	1	88-90	E8DZ-7E085-A	67715A
C57	Steel, waved .070" 8T AXOD/E/AX4S (inter clutch)(cushion)	1	90-03	n/a	67715E
C57	Steel, waved .060" 21T AX4N (intermediate clutch)(cushion)	1	95-07	n/a	67715F
F100	Friction .063" 5.955" od 59T AX4N/4F50N (low/intermediate clutch)	5	95-07	F5DZ-7B164-B	67403
F101	Steel .069" 4.873" id 32T AX4N/4F50N (low/intermediate clutch)	5	95-07	F5DZ-7B442-B	67506
F103	Steel, waved low/intermediate clutch (cushion)	1	95-07	F5DZ-7E085-A	67715D
n/i	Steel, spacer .117" 21T (flat) AXOD/E (intermediate clutch from 4/18/89)	1	89-95	E8DZ-7B437-A	67716A
PRESSURE PLATES					
B58	Pressure plate .161" 4.718" id 34T AXOD/E/AX4S (direct clutch)	1	86-99	E6DZ-7B066-A	67714A-R
B58	Pressure plate .170" 4.718" id 34T AXODE/AX4S/AX4N (direct clutch)	1	96-07	n/a	67714K-R
C59	Pressure plate .190" 4.718" id 34T AXOD (intermediate clutch)	1	86-89	E6DZ-7B066-B	67714B-R
C59	Pressure plate .130" 4.718" id 34T AXOD (intermediate clutch)	1	89-03	E8DZ-7B066-A	67714C-R
C59	Pressure plate .270" 4.718" id 34T AX4N (intermediate clutch)	1	95-07	n/a	67714G-R
C59	Pressure plate .122" 4.718" id 34T intermediate clutch (w/step)	1	96-07	n/a	67714L-R
B60	Pressure plate .287" 4.718" id 34T AXOD (forward clutch)	1	86-91	E6DZ-7B066-C	67714D-R
B60	Pressure plate .169" 4.935" id 34T AXODE/AX4S/AX4N/4F50N (forward clutch)	1	91-07	F2DZ-7B066-A	67714E-R
B60	Pressure plate .278" 4.935" id 34T AXODE/AX4S/AX4N/4F50N (forward clutch)	1	96-07	n/a	67714J-R
E61	Pressure plate .196" 4.781" id 54T AXOD/E/AX4S/AX4N/4F50N (reverse clutch)	1	86-07	E6DZ-7B066-D	67714-R
E61	Pressure plate .145" 4.781" id 54T AX4N (reverse clutch)	1	95-97	n/a	67714H-R
E61	Pressure plate .245" 4.781" id 54T AX4N/4F50N (reverse clutch)	1	96-07	n/a	67714M-R
F102	Pressure plate .199" 4.873" id 32T AX4N/4F50N (low/intermediate clutch)	1	95-07	E6DZ-7B066-A	67714F-R
F102	Pressure plate .330" 4.873" id 32T AX4N/4F50N (low/intermediate clutch)	1	00-07	YFIZ-7B066-A	67714N-R
FILTERS					
K9	Kit, filter AXOD/E (neoprene/cork)	1	86-95	AE	FK67800
K9	Kit, filter AXOD/E (Duraprene®)	1	86-95	AE	DK67800
K9	Kit, filter (w/long orange seal) AXODE Taurus SHO (neoprene/cork)	1	93-95	AE	FK67800A
K9	Kit, filter (w/green seal) AXODE/AX4S (neoprene/cork)	1	96-03	AE	FK67800B
K9	Kit, filter (w/green seal) AXODE/AX4S (elasomeric)	1	96-03	AE	MFK67800B
K9	Kit, filter (w/long orange seal) AX4N (neoprene/cork)	1	95-95	AE	FK67800C
K9	Kit, filter (w/green seal) AX4N/4F50N (elasomeric)	1	96-07	AE	MFK67800C
G62	Filter (w/seal 3.0/3.8 V6) AXODE	1	86-95	E7DP-7G186-AA	67800
G62	Filter (w/long orange seal) 1993-95 Taurus SHO/AX4S/1995 AX4N	1	93-95	F3DP-7G186-AB	67800A

AXOD•AXODE•AX4N•4F50N

AXOD•E•AX4N•4F50N

ILL	DESCRIPTION	QTY	YEAR	REFERENCE #	PART #	
FILTERS (CONTINUED)						
G62	Filter (w/green seal)	AXODE/AX4S/AX4N/4F50N	1	96-07	F6DZ-7A098-A	67800B
n/i	Screen, filter	AXOD/E/AX4N/4F50N (by-pass solenoid)	2	86-07	E6SP-7G308	67712
n/i	Screen, filter	AX4N/4F50N (by-pass solenoid)	1	98-07	F8DZ-7G308-AA	67712A
n/i	Screen, filter	AXOD/E/AX4S (1-2 servo)	1	89-03	E9DZ-7H162-A	67713
BANDS						
E64	Band	AXOD/E (low/intermediate)	1	86-94	E8DZ-7D034-A	67320
E64	Band	AXODE/AX4S (low/intermediate)	1	95-97	F48Z-7D034-AA	67320A
E64	Band	AXODE/AX4S (low/intermediate)	1	98-03	F8DZ-7D034-AA	67320B
A65	Band	AXOD/E/AX4S/AX4N/4F50N (overdrive)	1	86-07	E6DZ-7F196-A	67520
A66	Anchor	AXOD/E (overdrive band)	1	86-93	E6DZ-7D430-A	67640-R
E75	Band 1" wide	AX4N/4F50N (coast)	1	95-07	F5DZ-7A162-A	67321
BUSHINGS						
K13	Kit, bushing	AXOD/E	1	86-94	AE	K67901
K13	Kit, bushing	AXODE/AX4S/AX4N/4F50N	1	95-07	AE	K67901A
F67	Bushing	final drive sun gear	1	86-07	E6SP-7G344-AA	67007
E68	Bushing	AXOD (front planetary)(inner)	1	86-90	E6SP-76220-AA	67005
E68	Bushing (replaces bearing)	front planetary (inner)	1	91-07	n/a	67005X
C69	Bushing 4 angled slots	direct/inter clutch housing	1	86-07	E6SP-7G123-AA	67008
B70	Bushing .502" w 12 slots	AXOD/E/AX4S (direct overrun clutch race)	1	86-94	E6SP-7G138-AC	67004
B70	Bushing .628" w 12 slots	direct overrun clutch (race)	1	95-07	F3DP-7G138-BB	67004A
C71	Bushing 1.584" od (1st design)	AXOD/E (drive shell w/sun gear)	2	86-92	E6SP-7F209-AA	67011
C71	Bushing 1.612" od (2nd design)	drive shell w/sun gear	1	93-07	n/a	67011A
A72	Bushing 1.633" od .531" wide	driven sprocket support	1	86-07	E6SP-7G170-AA	67009
A73	Bushing 6 slots	AXOD/E/AX4S/AX4N/4F50N (overdrive drum)	1	86-07	E8DP-7G210-AA	67013
G74	Bushing	AXOD/E/AX4S/AX4N/4F50N (rear case)	1	86-07	E6SP-7E110-AA	67012
A76	Bushing (bronze)	AXOD/E/AX4S/AX4N/4F50N (stator)	1	86-07	E6SP-7G096-AA	51008
F77	Bushing	AXOD/E/AX4S (rear planetary support)	1	86-03	E6SP-7A132-AA	67006
F77	Bushing	AX4N/4F50N (rear planet sup/low/inter hsg)	1	95-07	n/a	67006B
E78	Bushing	AXOD/E/AX4S/AX4N/4F50N (rear planetary)	1	86-07	E6SP-7B375-AA	67014
F79	Bushing 1.976" od	AXOD/E (low drum w/sun gear)	1	86-92	E6SP-7D065-AA	67003
F79	Bushing 2.005	AXODE/AX4S (low drum w/sun gear)	1	92-03	n/a	67003A
n/i	Bushing (bronze)	AXOD/E/AX4S/AX4N/4F50N (converter hub)	1	86-07	E6SP-7N805-AA	67001
n/i	Bushing (babbitt)	AXOD/E/AX4S/AX4N/4F50N (converter hub)	1	86-07	E6SP-7N805-AA	67001A
WASHERS/BEARINGS/RACES/SHIMS						
K12	Kit, thrust bearing	AXOD/E/AX4S	1	86-03	AE	K67906
K14	Kit, thrust washer	AXOD/E/AX4S	1	86-03	AE	K67907
K14	Kit, thrust washer	AX4N	1	95-07	AE	K67907B
K14	Kit, thrust washer - planetary repair	front/rear	1	86-06	AE	K67441
K14	Kit, thrust washer - planetary repair	differential	1	86-06	AE	K67442
B80	Thrust washer 2 tabs (replaces 4 tabs)	direct clutch spring to direct sprag	1	86-07	F2DZ-7F369-A	67210
A81	Thrust washer 4.330" od 6 grooves	forward clutch spring to low sprag	1	86-07	E6DZ-7A166-A	67211
A82	Thrust washer .050" 3.219" od 3 tabs	driven sprocket to driven support	1	86-07	E6DZ-7G115-A	67212
A83	Bearing, caged (needle)	AXOD/E/AX4S/AX4N (stator)	1	86-07	n/a	51486
A84	Thrust washer 3" od 3 tabs 6 grooves	chain cover to driven sprocket (metal)	1	86-94	E6DZ-7G096-A	67214
A84	Thrust washer 3" od 3 tabs 6 grooves	chain cover to driven sprocket (plastic)	1	95-03	F5DZ-7G096-A	67214A
A85	Thrust washer 2.735" od w/3 tabs unequal	chain cover to sprocket/stator (plastic)	2	86-95	E6DZ-7G099-A	67213
A85	Thrust washer 2.735" od w/3 tabs equal	chain cover to sprocket/stator (plastic)	2	95-07	F5DZ-7G099-A	67213A
A86	Thrust washer .056"-.062" natural	driven sprocket support to bearing	sel	86-07	E6DZ-7G273-A	67400
A86	Thrust washer .064"-.070" green	driven sprocket support to bearing	sel	86-07	E6DZ-7G273-B	67400A
A86	Thrust washer .076"-.080" blue	driven sprocket support to bearing	sel	86-07	E6DZ-7G273-C	67400B
A86	Thrust washer .085"-.089"	driven sprocket support to bearing	sel	86-07	E6DZ-7G273-D	67400C
A87	Thrust washer .088" green	driven sprocket support to od drum	sel	86-07	E6DZ-7D014-A	67409
A87	Thrust washer .098" black	driven sprocket support to od drum	sel	86-07	E6DZ-7D014-B	67409A

ILL	DESCRIPTION	QTY	YEAR	REFERENCE #	PART #
WASHERS/BEARINGS/RACES/SHIMS (CONTINUED)					
A87	Thrust washer .107" natural driven sprocket support to od drum	sel	86-07	E6DZ-7D014-C	67409B
A87	Thrust washer .117" red driven sprocket support to od drum	sel	86-07	E6DZ-7D014-D	67409C
F88	Thrust washer .045"-.049" orange AXOD/E (diff/final drive to bearing)	sel	86-91	E6DZ-7G103-A	67401
F88	Thrust washer .055"-.059" purple AXOD/E (diff/final drive to bearing)	sel	86-91	E6DZ-7G103-B	67401A
F88	Thrust washer .064"-.069" yellow diff/final drive to bearing	sel	86-07	E6DZ-7G103-C	67401B
F88	Thrust washer .048" AX4N/4F50N (diff/final drive to bearing)	sel	95-07	F5DZ-7G103-A	67216
F88	Thrust washer .072" AX4N/4F50N (diff/final drive to bearing)	sel	95-07	n/a	67216A
F89	Thrust washer (3 tabs) low/inter sprag race to low/inter spring	1	95-07	n/a	67215
G90	Bearing, thrust AXOD/E (governor/speedo to cover)	1	86-03	E6DZ-7G173-A	51466A
F91	Bearing, thrust AXOD/E/AX4S/N/4F50N(diff/final dr to case)	1	86-07	E6DZ-7G112-A	67220
F93	Bearing, thrust 2.473" od 1.374" id AXOD/E/AX4S(diff/final dr supt to park gr)	1	86-03	E6DZ-7F405-A	67222
F93	Bearing, thrust (open face) AX4N/4F50N (diff/final dr supt to park gr)	1	95-07	F5DZ-7F405-A	67222A
F94	Bearing, thrust 2.813" od AXOD/E(low drum w/s/g to diff/fnl dr supt)	1	86-03	E6DZ-7G178-A	67223
F94	Bearing, thrust AX4N (coast drum w/s/g to low/inter hsg)	1	95-07	F5DZ-7G178-A	67223A
C95	Bearing, thrust (3 notches) dir/inter hsg to inter hub/dr shell w/s/g	2	86-07	E6DZ-7C096-A	67224
A96	Bearing, thrust thrust washer to direct/inter housing	1	86-07	E6DZ-7F240-A	67225
E97	Bearing, thrust front planetary to rear planetary	1	86-07	E6DZ-7G177-A	67226
F98	Race, bearing .084"-.087" AX4N/4F50N (low/inter hsg/supt to park gr)	sel	95-07	F4DZ-7F451A-A	67402
F98	Race, bearing .088"-.093" AX4N/4F50N (low/inter hsg/supt to park gr)	sel	95-07	n/a	67402A
F98	Race, bearing .094"-.098" AX4N/4F50N (low/inter hsg/supt to park gr)	sel	95-07	n/a	67402B
F98	Race, bearing .099"-.103" AX4N/4F50N (low/inter hsg/supt to park gr)	sel	95-07	n/a	67402C
F98	Race, bearing .104"-.108" AX4N/4F50N (low/inter hsg/supt to park gr)	sel	95-07	n/a	67402D
F98	Race, bearing .109"-.112" AX4N/4F50N (low/inter hsg/supt to park gr)	sel	95-07	n/a	67402E
PUMP PARTS AND PUMPS					
K43	Kit, pump rotor and slide AXOD/E/AX4S/AX4N	1	86-07	AE	K67800
K43	Kit, vane and ring (7 vanes and 2 rings) AXOD/E/AX4S/AX4N	1	86-07	AE	K67801
G106	Pump assembly (AXOD) *specify year/casting #	1	86-91	n/a	67920-R
G106	Pump assembly (AXODE) *specify year/casting #	1	91-03	n/a	67920A-R
G106	Pump assembly (AX4N) *specify year/casting #	1	95-07	n/a	67920B-R
G106	Pump assembly (AX4S) *specify year/casting #	1	99-03	n/a	67920C-R
G107	Ring, pump vane (solid) AXOD/E/AX4S/AX4N/4F50N	2	86-07	E6SP-7G287	67303
G108	Vane, pump AXOD/E/AX4S/AX4N/4F50N	7	86-07	n/a	67801
G109	Slide, pump AXOD/E/AX4S/AX4N/4F50N	1	86-07	n/a	67803
G110	Rotor, pump AXOD/E/AX4S/AX4N/4F50N	1	86-07	n/a	67802
G111	Pump cover AXOD/E/AX4S/AX4N/4F50N	1	86-07	n/a	67919
n/i	Bearing, caged w/seal 1.00" od AXOD/E/AX4S (pump shaft to valve body)	1	86-00	XF2Z-7G184-AA	67450
n/i	Bearing, caged w/seal 1.063" od AX4N/4F50N (pump shaft to valve body)	1	00-07	XF1Z-7G184-AA	67450B
n/i	Spring, 1-2 capacity modulator (in pump) AXOD	1	86-90	MXD703S	67961A
n/i	Retainer, 1-2 capacity modulator (in pump) AXOD	1	86-90	MXD703C	67961B
HARD PARTS					
F105	Race, sprag (outer) AX4N/4F50N/4F50N (low/intermediate)	1	95-07	n/a	67849-R
E124	Planetary, front (2nd design) AXOD/E/AX4S (bearing design)	1	86-03	E6DZ-7A398-A	67950-R
E125	Planetary, rear 33 internal splines AXOD/E/AX4S	1	86-03	E6DZ-7D006-A	67951-R
E125	Planetary, rear w/external splines AX4N/4F50N	1	95-07	n/a	67951A-R
E125	Planetary, rear 45 internal splines AX4S (will retro w/67970B)	1	01-03	n/a	67951B-R
F127	Drum, low w/sun gear AXOD/E/AX4S	1	86-03	E6DZ-7A626-A	67955-R
F127	Drum, coast w/sun gear AX4N/4F50N	1	95-07	F5DZ-7A626-A	67955A-R
A129	Chain, drive w/1 copper link 3/4" 43 links AXOD/E (3.0L/3.8L round pin)	1	86-03	HV-021	67973
A129	Chain, drive w/green link 7/8" 43 links AXOD (3.8L round pin)	1	86-88	HV-029	67973A
A129	Chain, drive 3/4" 43 links (rocker joint) AX4S/AX4N (exc below/SHO 3.2L 93-95 96-up)	1	93-03	HV-075	67973B
A129	Chain, drive 3/4" 44 links (round pin) AX4S (round pin Windstar 1996-up 3.8L)	1	96-04	HV-041	67973C
A129	Chain, drive 7/8" 44 links (square pin) AX4N (Continental 1995-97 4.6L)	1	95-07	HV-042	67973D
A129	Chain, drive 2 copper links 3/4" 44 links 4F50N (rocker joint) 3.9L	1	05-07	HV-092	67973F

AXOD•AXODE•AX4N•4F50N

AXOD•E•AX4N•4F50N

ILL	DESCRIPTION	QTY	YEAR	REFERENCE #	PART #	
HARD PARTS (CONTINUED)						
B133	Flange, direct clutch	AXODE/AX4S	1	95-03	F4DP-7G448-AA	67934A-R
C135	Housing, direct/intermediate clutch	AXOD/E (w/13mm splines)	1	86-97	E6DZ-7G120-A	67943-R
C135	Housing, direct/intermediate clutch	AXODE/AX4S (SHO)	1	93-00	n/a	67943A-R
C135	Housing, direct/intermediate clutch	AX4N	1	95-07	F3DZ-7G120-A	67943B-R
C135	Housing, direct/intermediate clutch	AX4S (w/10mm splines)	1	96-03	1F1Z-7G120-BA	67943C-R
A136	Drum, overdrive (6 lugs)	AXOD	1	86-91	E6DZ-7L669-A	67945-R
A136	Drum, overdrive (36 lugs)	AXODE/AX4S/AX4N (SHO)	1	92-07	F5DZ-7L669-A	67945A-R
B137	Housing, forward clutch	AXOD/E/AX4S	1	86-96	E6DZ-7A360-A	67935-R
B137	Housing, forward clutch	AX4S/AX4N	1	96-07	F5DZ-7A360-A	67935A-R
B137	Housing, forward clutch	AX4S	1	96-03	F6DZ-7A360-BA	67935C-R
B138	Piston, forward clutch	AXOD/E/AX4S (steel)	1	86-03	F4DZ-7A262-A	67932
G141	Governor assembly	AXOD	1	86-91	E6DZ-7C053-A	67615-R
G141	Shaft, w/gear (speedo drive)	AXODE	1	91-98	F68Z-7G176A-A	67615A
G141	Shaft, w/gear (speedo drive)	AXODE	1	91-98	F68Z-7G176A-A	67615A-R
G142	Gear, speedo drive 7T	AXOD/E	1	86-06	E6SP-17285	67650-R
E143	Housing, reverse clutch	AXOD/E/AX4S	1	86-03	E6DZ-7F341-A	67960-R
E143	Housing, reverse clutch	AX4N	1	95-07	F5DZ-7F341-A	67960A-R
E146	Ring gear, rear	AXOD/EAX4S/AX4N	1	86-06	E6DZ-7A153-A	67952-R
F148	Support, rear planetary (1st design)	AXOD/E	1	86-92	E6DZ-7A130-A	67965-R
F148	Support, rear planetary (2nd design)	AXODE	1	93-06	YF2Z-7A130-AA	67965A-R
F148	Support, rear planetary/low/inter housing	AX4N (flat on back used with metal spacer)	1	95-07	F6DZ-7A130-CA	67965B-R
F148	Support, rear planetary/low/inter housing	flat back use w/mtl spacer w/hole for sen	1	95-07	F6DZ-7A130-CA	67965C-R
F150	Gear, final drive sun 33 splines 30T	AXOD/E	1	86-01	E6DZ-7F342-A	67970-R
F150	Gear, final drive sun 45 splines 30T	AX4S (will retro w/67951B) 30T	1	01-07	n/a	67970B-R
F150	Gear, final drive sun 30T	AX4N	1	95-01	F5DZ-7F342-A	67970A
F150	Gear, final drive sun 30T	AX4N/4F50N	1	95-01	F5DZ-7F342-A	67970A-R
F150	Gear, final drive sun 45 splines	AX4S	1	01-03	n/a	67970C
F150	Gear, final drive sun 29T	AX4N	1	01-07	n/a	67970D
B151	Race, direct sprag (inner)	AXOD/E (overrun/roller type)	1	86-94	E6DZ-7G156-A	67941-R
B151	Race, direct sprag (inner)	AXODE/AX4N (overrun/roller type)	1	95-07	F5DZ-7G156-C	67941A-R
B152	Race, direct sprag .740" w (outer)	AXOD/E (overrun/roller type)	1	86-94	E6DZ-7D171-B	67942-R
B152	Race, direct sprag .855" w (outer)	AX4N (overrun/roller type)	1	95-06	n/a	67942A-R
C154	Hub, intermediate 1.650" oh .860" splines	AXOD	1	86-87	E6DZ-7B067-A	67944-R
C154	Hub, intermediate 1.590" oh .930" splines	AXOD/E	1	88-03	E8DZ-7B067-A	67944A-R
C154	Hub, intermediate 1.760" oh 1.100" splines	AXODE/AX4N	1	95-07	n/a	67944B-R
C155	Shell, drive w/sun gear (6 lugs)	AXOD/E (2nd design)(bearing design)	1	86-96	E6DZ-7D064-A	67948-R
C155	Shell, drive w/sun gear (36 lugs)	SHO/AXODE/AX4S/AX4N/4F50N	1	95-07	F5DZ-7D064-A	67948A-R
A156	Race, low sprag .600" (outer) 52T	AXOD/E	1	86-91	E6DZ-7D171-A	67931-R
A156	Race, low sprag .725" (outer) 52T	AXOD/E/AX4S/AX4N/4F50N	1	91-07	F3DZ-7D171A-B	67931A-R
A157	Stator w/3 not equally spaced holes	AXOD/E (converter support)	1	86-03	E6DZ-7A108-A	67975-R
A157	Stator w/3 equally spaced holes	AX4N/ (converter support)	1	95-07	F6DZ-7A108-A	67975A-R
A157	Stator support	4F50N (converter support)	1	04-10	3F2Z-7A108-AA	67975B
F159	Ring gear, final drive 74T	AXOD/E/AX4S	1	95-95	E6DZ-7F343-A	67985-R
F159	Ring gear, final drive 74T	AX4N	1	01-07	F5DZ-7F343-A	67985A-R
F159	Ring gear, final drive 71T	AX4S	1	01-03	n/a	67985B-R
F159	Ring gear, final drive 71T	AX4N	1	86-86	n/a	67985C-R
A161	Sprocket, drive	specify tooth count and width of sprocket	1	86-07	AE	67971-R
A162	Sprocket, driven	specify tooth count and width of sprocket	1	86-07	AE	67972-R
G164	Pin, servo (no groove)	AXOD/E/AX4S/AX4N (overdrive)	sel	86-97	E6DZ-7F203-A	67949-R
G164	Pin, servo (1 groove)	AXOD/E/AX4S/AX4N (overdrive)	sel	86-97	E6DZ-7F203-B	67949A-R
G164	Pin, servo (2 grooves)	AXOD/E/AX4S/AX4N (overdrive)	sel	86-97	E6DZ-7F203-C	67949B-R
G165	Pin, servo (no groove)	AXOD/E/AX4S (low/intermediate)	sel	86-03	E6DZ-7D190-A	67959-R
G165	Pin, servo (1 groove)	AXOD/E/AX4S (low/intermediate)	sel	86-03	E6DZ-7D190-B	67959A-R

ILL	DESCRIPTION	QTY	YEAR	REFERENCE #	PART #	
HARD PARTS (CONTINUED)						
G165	Pin, servo (2 grooves)	AXOD/E/AX4S (low/intermediate)	sel	86-03	E6DZ-7D190-C	67959B-R
G165	Pin, servo (3 grooves)	AXOD/E/AX4S (low/intermediate)	sel	86-03	E6DZ-7D190-D	67959C-R
G165	Pin, servo (4 grooves)	AXOD/E/AX4S (low/intermediate)	sel	86-03	E6DZ-7D190-E	67959D-R
G165	Extendo pin, servo	AXOD/E/AX4S (low/intermediate)	sel	86-03	96946E	67959E
A166	Support, driven sprocket	AXOD/E/AX4S	1	86-03	E6DZ-7G166-A	67974-R
A166	Support, driven sprocket	AX4N (casting# RFF4-7G168-AB)	1	95-07	F5DZ-7G166-A	67974A-R
A166	Support, driven sprocket	AX4N (casting# 4F1P-7G404-DA)	1	04-07	4F1Z-7G166-EA	67974B-R
F172	Differential 4 pinions 22T	AXOD/E/AX4S/AX4N	1	86-01	E6DZ-7F465-A	67980-R
F172	Differential 5 pinions 21T	AX4N/4F50N	1	01-07	n/a	67980A-R
A173	Shaft, pump	AXOD/E/AX4S/AX4N/4F50N	1	86-07	E6DZ-7B328-A	67921
A173	Shaft, pump	AXOD/E/AX4S/AX4N/4F50N	1	86-07	E6DZ-7B328-A	67921-R
A174	Shaft, turbine 23 splines	AXOD/E	1	86-94	E6DZ-7F213-A	67976-R
A174	Shaft, turbine 25 splines	AXODE/AX4S/AX4N/4F50N	1	94-07	F4DZ-7F213-A	67976A-R
F176	Gear, governor drive 42T	AXOD/E/AX4S (narrow)	1	86-03	E7DZ-7G237-A	67616-R
F176	Gear, governor drive	AX4N/4F50N (wide)	1	95-01	F5DZ-7G237-A	67616A-R
n/i	Sleeve, valve body to pump shaft	AXOD/E/AX4S/AX4N/4F50N	1	86-07	MXD702	67641
n/i	T.V. wire	AXOD	1	86-90	E6DZ-7G164-A	67933-R
n/i	Sleeve, oil lube	AXOD/E/AX4S/AX4N/4F50N	1	86-07	96028	67910
n/i	Tube, rear lube crossover	AXODE	1	91-93	F2DZ-7G084-A	67660
n/i	Tube, rear lube crossover	AXODE (w/2nd design support)	1	93-98	F3DZ-7G084-A	67660A
n/i	Tube, rear lube	AX4S	1	99-03	1F1Z-7G084-AA	67660B
n/i	Tube, differential/speedo lube	AXODE	1	91-03	F2DZ-7G086-A	67661
n/i	Tube, reverse clutch	AXOD/E	1	86-03	E6DZ-7G199-B	67662
n/i	Tube, low/intermediate servo release	AXODE	1	93-03	F3DZ-7G088-A	67663
n/i	Spring, accumulator (yellow)	AXOD 3.0L (1-2 outer large)	1	86-90	E6DZ-7G267-A	67706
n/i	Spring, accumulator (yellow)	AXOD 3.0L (1-2 inner small)	1	86-90	E6DZ-7G326-A	67706A
n/i	Spring, accumulator (green)	86-97 3.0/88 3.8L Continental 3-4 outer lg	1	86-97	E6DZ-7G266-A	67706B
n/i	Spring, accumulator (green)	AXOD/E/AX4S (3-4 small inner)	1	86-03	E6DZ-7F288-A	67706C
n/i	Spring, accumulator (orange)	AXOD/E/AX4S (neutral/drive outer)	1	86-97	E6DZ-7G300-A	67706D
n/i	Spring, accumulator (blue)	AXOD/E/AX4S (neutral/drive inner)	1	86-97	E6DZ-7G301-A	67706E
n/i	Spring, accumulator (white)	AXOD/E/AX4S (3.8L 3-4 outer)	1	89-97	E9DZ-7G266-A	67706F
n/i	Spring, accumulator (brown)	AXOD/E/AX4S (88-90 3.8L 1-2 outer large)	1	88-94	E8DZ-7G267-A	67706G
n/i	Spring, accumulator (brown)	3.8L (1-2 inner small)	1	88-90	E8DZ-7G326-A	67706H
n/i	Spring, accumulator (brown/pink)	AXOD/E/AX4S (1988-90 3.8L 1-2 middle)	1	88-97	E8DZ-7G358-A	67706J
n/i	Spring, accumulator (plain)	AXOD (3.8L except Continental 3-4 outer)	1	88-88	E8DZ-7G266-A	67706K
n/i	Spring, accumulator (purple)	AXODE (1-2 inner)	1	91-94	E8DZ-7G326-A	67706L
n/i	Spring, accumulator (dk brown)	AXODE (except Windstar 1-2 inner)	1	95-97	F58Z-7G321-A	67706V
n/i	Spring, accumulator (dk brown)	AXODE/AX4S (Windstar 1-2 inner)	1	95-03	F58Z-7G321-A	67706W
n/i	Spring, accumulator (purple)	AXODE/AX4S (except Windstar 1-2 inner)	1	98-03	E8DZ-7G326-A	67706X
n/i	Spring, accumulator (dk brown)	AXODE/AX4S (1-2 outer)	1	95-03	F58Z-7G267-A	67706Y
n/i	Spring, accumulator (yellow)	AXODE/AX4S (3-4 outer)	1	98-03	F8DZ-7G266-AA	67706Z
n/i	Spring, accumulator (green)	AXODE/AX4S (neutral-drive outer)	1	98-03	F8DZ-7G300-BA	67707
n/i	Spring, accumulator (plain)	AX4N (all except SHO 1-2)	1	95-07	F5DZ-7G267-A	67706M
n/i	Spring, accumulator (purple)	AX4N (SHO 1-2 outer)	1	95-00	F6DZ-7G267-A	67706N
n/i	Spring, accumulator (plain)	AX4N (SHO 1-2 inner)	1	95-00	F7DZ-7D397-AA	67707A
n/i	Spring, accumulator (orange)	AX4N (2-3)	1	95-07	F5DZ-7F285-A	67706P
n/i	Spring, accumulator (blue)	AX4N (3-4)	1	95-07	F5DZ-7G266-A	67706Q
n/i	Spring, accumulator (green)	AX4N (reverse)	1	95-99	F5DZ-7E485-A	67706R
n/i	Spring, accumulator (plain)	AX4N (reverse)	1	98-07	F8DZ-7E485-BA	67707B
n/i	Spring, accumulator (plain)	AX4N (Taraus/Sable neutral-drive)	1	95-95	F4DZ-7G300-A	67706S
n/i	Spring, accumulator (brown)	AX4N (neutral-drive inner)	1	96-07	F5OZ-7G301-A	67706T
n/i	Spring, accumulator (green)	AX4N (outer)	1	96-07	F5OZ-7G300-A	67706U
n/i	Stabilizer	AXOD/E/AX4S/AX4N	1	86-03	86125LRB	57731S

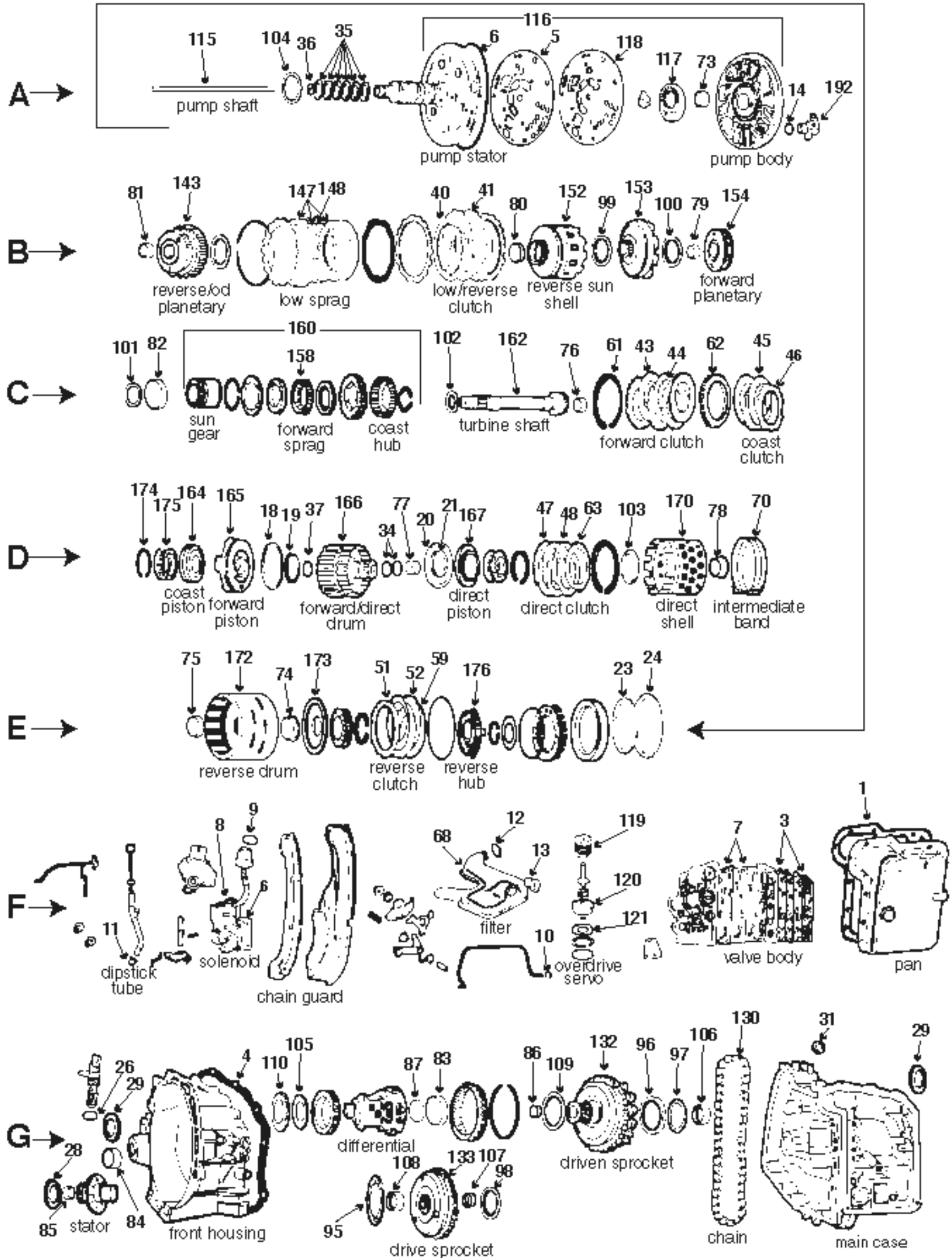
AXOD•AXODE•AX4N•4F50N

AXOD•E•AX4N•4F50N

ILL	DESCRIPTION	QTY	YEAR	REFERENCE #	PART #
HARD PARTS (CONTINUED)					
n/i	Governor cover (molded rubber)	AX4S	1	95-07	XF2F-7A301-AA 67617
n/i	Planetary set, front/rear assy	AXODE (w/sun gear/shell)	1	86-95	F4DZ-7A398-A K67950
n/i	Planetary set, front/rear assy (36 lugs)	AX4N/4F50N (w/sun gear/shell)	1	95-07	n/a K67950A
n/i	Planetary set, front/rear assy (36 lugs)	AX4N/4F50N (w/sun gear/shell)	1	02-07	n/a K67950B
n/i	Planetary set, front/rear assy (36 lugs)	AXODE/AX4S (33 splines w/sun gear/shell)	1	95-03	n/a K67950C
n/i	Planetary set, front/rear assy (36 lugs)	AX4S (45 splines w/sun gear/shell)	1	01-03	n/a K67950D
ELECTRICAL COMPONENTS					
G191	Harness, wiring (connector black)	3.0L engine	1	86-90	E6DZ-7G276-A 25A-120
G191	Harness, wiring (connector white)	3.8L engine	1	87-91	E8DZ-7G276-A 25A-121
G191	Harness, wiring (connector 6 pins top blk)	AXODE	1	91-93	F1DZ-7G276-B 25A-123
G191	Harness, wiring (cont 6 pins side wht)	AXODE	1	91-93	F1DZ-7F276-A 25A-124
G191	Harness, wiring (connector 9 pins top)	AXODE	1	93-03	F5DZ-7G276-B 25A-125
G191	Harness, wiring (connector 9 pins top)	AX4N/AX4S	1	95-03	F5DZ-7G276-A 25A-126
G191	Harness, wiring (internal)	AX4S	1	03-07	SGK-96966B-WH 25A-127
G191	Harness, wiring	AX4N (internal w/grey top connector)	1	04-07	4F1Z-7G276-AA 25A-128
n/i	Solenoid (square)	AXOD (lock-up/TCC by-pass clutch)	1	86-90	E6DZ-7G136-A 5A-250
n/i	Switch, pressure	AXOD (3-2/4-3)	2	86-90	E6DZ-7E440-A 15A-243
n/i	Switch, pressure	AXOD (neutral)	1	86-90	E6DZ-7E440-B 15A-244
n/i	Solenoid, master kit	AXODE	1	91-91	MS-AXODE-91 25A-031
n/i	Solenoid, master kit	AXODE	1	92-03	MS-AXODE 25A-030
n/i	Solenoid	AXODE/AX4S (EPC/VFS)	1	91-03	F8DZ-7G383-BB 5A-270
n/i	Solenoid	AX4N (EPC/VFS)	1	95-07	F8DZ-7G383-AB 5A-270A
n/i	Solenoid (square)	AXODE (Taurus/Sable lock-up/TCC)	1	91-91	F1DZ-7G136-A 5A-271
n/i	Solenoid (round/modulated)	AXODE/AX4S/N (lock-up/TCC 91 Continental)	1	91-97	F3DZ-7G136-A 5A-273
note	White connector .98-1.60 OHMS	AXODE/AX4N			
n/i	Solenoid (round/modulated)	AXODE/AX4S/AX4N (lock-up/TCC)	1	97-07	F7OZ-7G136-A 5A-272
note	Blue connector 13-24 OHMS	AXODE/AX4S/AX4N			
n/i	Solenoid	AXODE/AX4S (shift 1-2/2-3/3-4)	3	91-03	F1DZ-7G484-A 5A-274
n/i	Solenoid	AX4N (shift 1-2/2-3/3-4)	1	96-05	F3DZ-7G484-AB 5A-274A
n/i	Sensor, temperature	AXODE/AX4S/AX4N (TFT/TOT trans oil)	1	91-07	F1DZ-7H141-A 15A-302
n/i	Switch, neutral start	AXOD	1	86-87	E6DZ-7A247-A 15A-298
n/i	Switch, neutral start	AXOD	1	87-90	E8DZ-247-A 15A-299
n/i	Sensor, manual lever position	AXODE (MLPS)	1	91-92	F2DZ-7A247-AA 15A-303
n/i	Sensor, manual lever position 8 pins	AXODE/AX4N (MLPS)	1	93-97	F5DZ-7F293-BA 15A-303A
n/i	Sensor, manual lever position 10 pins	AXODE/AX4S/4F50N (digital MLPS)	1	98-07	F8DZ-7F293-AD 15A-303B
n/i	Sensor, manual lever position (analog)	AX4N (MPLS)	1	95-98	F6DZ-7F293-A 15A-303C
n/i	Sensor	AXODE (turbine speed/TSS)	1	91-00	F1DZ-7M101-A 15A-305
n/i	Sensor	AX4N (turbine speed/TSS)	1	95-00	F5DZ-7M101-A 15A-305A
n/i	Sensor	AX4N (turbine speed/TSS)	1	00-07	IF1Z-7M101-AA 15A-305B
n/i	Sensor	AX4S (turbine speed/TSS)	1	01-03	1F1Z-7M101-BA 15A-305C
n/i	Sensor	AXOD/E/AX4S (vehicle speed/VSS)	1	86-99	E6DZ-9E731-C 05-203
n/i	Sensor	AX4N (vehicle speed/VSS)	1	96-99	F5DZ-9E731-BA 05-204
n/i	Sensor	AX4S (vehicle speed/VSS)	1	99-03	ZF2S-7H103-AA 05-206
n/i	Sensor	AX4N (vehicle speed/VSS)	1	00-07	4F1Z-7H103-AA 05-207
n/i	Sensor	AXODE/AX4N (vehicle speed)(analog dash)	1	93-99	F5DZ-7E931-AA 05-199
n/i	Sensor	AXODE/AX4N (vehicle speed)(digital dash)	1	93-99	E9LZ-9E731-A 05-200
n/i	Harness, external repair kit (10 pins)	AXODE/AX4S/AX4N (case connector)	1	93-07	350-0064 16A-153
n/i	Harness, external repair kit	AXOD/E (vehicle speed VSS)	1	86-07	F2PZ-14A464-A 16A-154

ILL	DESCRIPTION		QTY	YEAR	REFERENCE #	PART #
SPRAGS						
F104	Roller clutch (14 rollers)	AX4N (low/intermediate)	1	95-07	F5DZ-7A089-A	67963
A139	Sprag .594" w (16 segments)	AXOD/E (low)	1	86-91	E6DZ-7A089-A	67930
A139	Sprag w/plastic cage (30 segments)	AXOD/E/AX4S (low)	1	86-07	F3DZ-7A089-A	67930A
B140	Roller clutch .500" w (12 rollers)	AXOD/E/AX4S (direct)	1	86-03	E6DZ-7A089-B	67940
B140	Roller clutch .580" w (12 rollers)	AX4N (direct)	1	95-07	F2TP-7G381-AA	10502A
BONDED PISTONS						
K43	Kit, bonded piston	AXODE/AX4S	1	95-97	AE	K67585
K43	Kit, bonded piston	AXODE/AX4S	1	98-03	AE	K67586
K43	Kit, bonded piston	AX4N	1	95-97	AE	K67587
K43	Kit, bonded piston	AX4N/4F50N	1	98-07	AE	K67588
B133	Piston, bonded rubber	AXODE/AX4S/AX4N (direct)	1	96-07	F4DZ-7A262-BA	67934
C134	Piston, bonded rubber	AXODE/AX4S/AX4N (intermediate)	1	95-07	F88Z-7E005-AA	67938
C134	Piston, bonded rubber	AXODE/AX4S/AX4N (intermediate balance)	1	95-07	F3DZ-7H185-A	67936
B138	Piston, bonded rubber	AXODE/AX4N (forward)	1	95-97	F8DZ-7A262-AB	67932A
B138	Piston, bonded rubber	AX4S/AX4N (forward)	1	98-07	F88Z-7A262-AB	67932B
F147	Piston, bonded rubber	AX4N (low/intermediate)	1	95-07	F4DP-7H290-AA	67937
G163	Piston, bonded rubber	AXOD/E/AX4S/AX4N (overdrive servo)	1	86-97	F3DZ-7F200-A	67528
G163	Piston w/pin (no groove will retro)	AXOD/E/AX4S/AX4N (overdrive servo)	1	98-07	F88Z-7H788-AA	67528A
G163	Piston w/pin (1 groove will retro)	AXOD/E/AX4S/AX4N (overdrive servo)	1	98-07	F88Z-7H188-BA	67528B
G163	Piston w/pin (2 grooves will retro)	AXOD/E/AX4S/AX4N (overdrive servo)	1	98-07	F88Z-7H188-CA	67528C
n/i	Cover, piston (bonded rubber)	AX4N (coast servo)	1	96-07	F4DP-7H284-AA	67529
n/i	Piston, bonded rubber	AX4N (coast servo)	1	96-07	F4DP-7H281-AA	67530
NOTES						

AXOD•E•AX4N•4F50N



CD4E
89000

ILL	DESCRIPTION	QTY	YEAR	REFERENCE #	PART #
TECHNICAL MANUALS					
K53	Tech manual CD4E dis/assembly	1	97-08	CD4ETM	010-216
REBUILDER KITS					
K4	Master deluxe rebuild kit	1	94-02	AE	K8900-R
K4	Master deluxe rebuild kit	1	03-08	AE	K8900B-R
K5	Master kit w/steels	1	94-02	AE	K8900
K5	Master kit w/steels	1	03-08	AE	K8900B
K6	Master kit w/o steels	1	94-02	AE	K8900-LS
K6	Master kit w/o steels	1	03-08	AE	K8900B-LS
K7	O/H gasket set w/seals-rings	1	94-02	AE	K89900
K7	O/H gasket set w/seals-rings	1	03-08	AE	K89900B
K7	O/H gasket set w/seals-rings	1	94-02	AE	K89900A
K7	O/H gasket set w/seals-rings	1	03-08	AE	K89900C
VALVE BODY KITS					
K15	Shift Kit®-Jr (Mazda LA4A-EL) fix	1	94-04	SK® CD4E-Jr	K89908
K15	Shift Correction Package	1	94-04	KCD4E	S89908
GASKETS AND RUBBER COMPONENTS					
F1	Gasket, side cover	1	94-08	F3RZ-7F396-A	13004X
F1	Gasket, side cover	1	94-08	F3RZ-7F396-AF	13004D
F1	Gasket, side cover	1	03-08	3L8Z-7F396-AA	13004R
F3	Gasket, valve body	2	94-08	F3RP-7D100-C	23498
G4	Gasket, case	1	94-08	F3RZ-7B353-A	23511
A5	Gasket, pump plate	1	94-96	F3RZ-7G331-A	23513
A5	Gasket, pump plate	1	97-08	F7RZ-7G331-AA	23513A
F6	Gasket, solenoid body	1	94-08	F3RZ-7H200-A	23512
A6	Seal, lathe cut	1	94-08	F3RZ-7A248-A	23510
F7	Gasket, valve body	2	94-08	F3RP-7H202-AC	23533
F8	Gasket	1	94-08	F3RZ-7H251-A	23501
F9	O'ring	1	94-08	F3RZ-7B329-A	23502
F10	Seal	1	94-08	F3RZ-7H205-A	23503
F11	Multi lip seal (boot)	1	94-08	E2FZ-7N243-A	13925
F12	Multi lip seal (boot w/metal)	1	94-08	F3RP-7Z302-AB	23531
F13	Multi lip seal (boot w/metal)	1	94-08	F3RZ-7H249-A	23504
A14	O'ring	1	94-08	F1DZ-7Z101-A	23015
D18	Lip seal	1	94-08	F3RZ-7A548-A	23507
D19	D'ring	1	94-08	F3RZ-7A548-A	23520
D20	Lip seal	1	94-08	F3RZ-7A548-A	23521
D21	Lip seal	1	94-08	F3RZ-7F225-A	23522
E23	Lip seal	1	94-08	F3RZ-7D404-A	23508
E24	Lip seal	1	94-08	F3RZ-7D403-A	23509
G26	O'ring	1	94-08	F3RZ-17198-A	23073
n/i	O'ring	1	94-08	F3RZ-7H223-A	23499
n/i	Gasket	1	94-08	FBD-B12932	23534
METAL CLAD SEALS					
G28	Seal, metal clad	1	94-08	F3RZ-7F401-A	89200
G29	Seal, metal clad	1/2	94-08	F3RZ-1177-A	67201
G29	Seal, metal clad	1	03-08	YL8Z-1S177-AA	89204
G31	Seal, metal clad	1	94-08	E6DZ-7F337-A	67202
n/i	Seal, metal clad	1	94-08	E1FZ-7B498-A	57202
SEALING RINGS					
K10	Kit, sealing ring	1	94-08	AE	K89903
D34	Ring, sealing (teflon)	2	94-08	F3RZ-7D020-A	89301
A35	Ring, sealing (teflon)	6	94-08	F3RP-7H114-FA	89300
A36	Ring, sealing (teflon)	1	94-08	F3RP-7H115-BA	89302

CD4E•LA4A-EL

CD4E•LA4A-EL

ILL	DESCRIPTION		QTY	YEAR	REFERENCE #	PART #
SEALING RINGS (CONTINUED)						
D37	Ring, sealing (teflon)	lube/on forward/direct housing	1	94-08	F3RZ-7C099-A	89303
CLUTCH PLATES						
B40	Friction .065" 8.590" od 32T	low/reverse clutch	3/4	94-00	F3RZ-7B164-C	89100
B40	Friction .065" 8.590" od 32T (high energy)	low/reverse clutch	3/4	01-08	1S7P-7H094-AA	89100A
B41	Steel .069" 7.801" id 18T	low/reverse clutch	3/4	94-08	F3RZ-7B442-B	89101
B41	Steel .083" 7.730" id 18T	low/reverse clutch (not in kit)	sel	93-08	F3RZ-7B066-D	89101A
B41	Steel .091" 7.801" id 18T	low/reverse clutch (not in kit)	sel	93-08	F3RZ-7B066-E	89101B
B41	Steel .098" 7.801" id 18T	low/reverse clutch (not in kit)	sel	93-08	F3RZ-7B066-F	89101C
B41	Steel .106" 7.801" id 18T	low/reverse clutch (not in kit)	sel	93-08	F3RZ-7B066-G	89101D
C43	Friction .065" 5.275" od 32T	forward clutch	3	94-00	F3RZ-7B164-B	89104
C43	Friction .065" 5.275" od 32T	forward clutch (high energy)	3	01-08	1S7P-7H091-AA	89104A
C44	Steel .069" 4.259" id 32T	forward clutch	2	94-08	F3RZ-7B442-C	89103
C45	Friction .065" 4.843" od 24T	coast clutch	2	94-96	F3RZ-7B164-E	89108
C45	Friction .065" 4.843" od 24T	coast clutch (high energy)	2	97-08	F7RP-7H277-AA	89108A
C46	Steel .069" 3.765" id 20T	coast clutch	2	94-08	F3RZ-7B442-D	89105
D47	Friction .065" 5.275" od 24T	direct clutch	3/4	94-08	F3RZ-7B164-D	89106
D47	Friction .065" 5.275" od 24T	direct clutch (high energy)	3/4	94-08	F3RZ-7B164-D	89106A
D48	Steel .079" 4.103" id 32T	direct clutch	3/4	94-08	F3RZ-7B442-E	89107
D48	Steel .118" 4.103" id 32T	direct clutch (not in kit)	3	96-08	F5RZ-7B442-A	89107A
E51	Friction .065" 6.072" od 36T	reverse clutch	2	94-08	F3RZ-7B164-A	89102
E52	Steel .069" 4.757" id 32T	reverse clutch	2	94-08	F3RZ-7B442-A	89109
PRESSURE PLATES						
E59	Pressure plate .157" 4.750" id 32T	reverse clutch	1	94-08	F3RZ-7D408-A	89714
C61	Pressure plate .157" 4.250" id 32T	forward clutch	1	94-08	F3RZ-7B066-A	89716
C62	Pressure plate .360" 3.750" id 32T	coast clutch	1	94-97	F3RZ-7B066-C	89717
C62	Pressure plate .190" 3.750" id 32T	coast clutch	1	98-08	F8RZ-7B066-AA	89717A
D63	Pressure plate .157" 4.100" id 32T (flat)	direct clutch	1	94-08	F3RZ-7B477-A	89718
FILTERS						
F68	Filter	CD4E	1	94-08	F3RZ-7A098-A	89423
BANDS						
D70	Band 1.650" wide	intermediate/overdrive	1	94-96	F4RZ-7D034-A	89320A
D70	Band 2.048" wide	intermediate/overdrive	1	97-08	YL8P-7G477-AA	89320B
BUSHINGS						
K13	Kit, bushing	CD4E	1	94-08	AE	K89901
A73	Bushing	pump gear (inner)	1	94-08	F3RP-7B259-BA	89001
E74	Bushing	reverse drum (rear w/lip)	1	94-08	F3RP-7F217-AA	89002
E75	Bushing	reverse drum (front)	1	94-08	F3RP-7F218-AA	89003
C76	Bushing	turbine shaft	1	94-08	F3RP-7H025-AA	89004
D77	Bushing	forward/direct housing	1	94-08	F3RP-7H209-AB	89005
D78	Bushing	direct shell	1	94-08	F3RP-7H240-AA	89006
B79	Bushing	forward planetary	1	94-08	F3RP-7H034-AA	89007
B80	Bushing	reverse shell w/sun gear	1	94-08	F3RP-7H033-AB	89008
B81	Bushing	reverse planetary	1	94-08	F3RP-7H043-AA	89009
C82	Bushing	forward sun gear	1	94-08	F3RP-7F366-AA	89010
G83	Bushing	differential housing (outer/large)	1	94-08	F3RP-7H040-AA	89011
G84	Bushing	front case half	1	94-08	E6SP-7E110-AA	67012
G85	Bushing	stator support	1	94-08	F3RP-7N817-AA	89013
G86	Bushing	driven sprocket (axle support)	1	94-08	F3RP-7G344-AA	89015
G87	Bushing	differential housing (inner/small)	1	94-08	F3RP-7H041-AA	89017
n/i	Bushing	converter hub	1	94-08	F3RP-7N805-AA	89012
WASHERS/BEARINGS/RACES/SHIMS						
K12	Kit, thrust bearing	CD4E	1	94-08	AE	K89906
G95	Thrust washer 1.41-1.51mm .057" (blue)	drive sprocket to case	sel	94-08	F3RZ-7G099-A	89401

ILL	DESCRIPTION		QTY	YEAR	REFERENCE #	PART #
WASHERS/BEARINGS/RACES/SHIMS (CONTINUED)						
G95	Thrust washer 1.67-1.77mm .067" (black)	drive sprocket to case	sel	94-08	F3RZ-7G099-B	89401A
G95	Thrust washer 1.93-2.03mm .077" (gray)	drive sprocket to case	sel	94-08	F3RZ-7G099-C	89401B
G95	Thrust washer 2.19-2.29mm .087" (green)	drive sprocket to case	sel	94-08	F3RZ-7G099-D	89401C
G96	Bearing, thrust	driven sprocket to shim	1	94-08	F3RZ-7G233-A	89500-R
G97	Shim	driven sprocket to case	sel	94-08	F3RZ-7H086-F	89400
G98	Bearing, thrust	reverse planetary to drive sprocket	1	94-08	F3RZ-7F240-A	89504-R
B99	Bearing, thrust	rev shell w/sun gear to forward ring gear	1	94-08	F3RZ-7G178-A	89505-R
B100	Bearing, thrust	forward ring gear to forward planetary	1	94-08	F3RZ-7H028-A	89506-R
C101	Bearing, thrust	forward planetary to sun gear	1	94-08	F3RZ-7H027-A	89507-R
C102	Bearing, thrust	turbine shaft to forward spring	1	94-08	F3RZ-7H026-A	89508-R
D103	Thrust washer	forward/direct housing to reverse drum	1	94-06	F3RZ-7G116-A	89403
A104	Bearing, thrust	reverse hub to pump stator	1	94-06	F3RZ-7H241-A	89509-R
G105	Thrust washer .040"	thrust bearing to differential (shim)	sel	94-06	F3RZ-4067-A	89404
G105	Thrust washer .049"	thrust bearing to differential (shim)	sel	94-08	n/a	89404A
G105	Thrust washer .061"	thrust bearing to differential (shim)	sel	94-08	n/a	89404B
G105	Thrust washer .075"	thrust bearing to differential (shim)	sel	94-08	n/a	89404C
G105	Thrust washer .086"	thrust bearing to differential (shim)	sel	94-08	n/a	89404D
G106	Bearing, caged	driven sprocket to rear case half	1	94-08	F3RZ-7G355-A	89501
G107	Bearing, caged	drive sprocket (rear w/small od)	1	94-08	F3RZ-7H029-A	89502-R
G108	Bearing, caged	drive sprocket (front w/large od)	1	94-08	F3RZ-7H032-A	89503-R
G109	Bearing, thrust	driven sprocket to differential	1	94-08	F3RZ-76233-A	89510-R
G110	Bearing, thrust	differential to case	1	94-08	F3RZ-4221-A	89511-R
SNAP RINGS						
D174	Snap ring	coast clutch retainer	1	94-08	F3RZ-7N169-A	89431
PUMP PARTS AND PUMPS						
A115	Shaft, oil pump drive 14 1/16" length	L/4	1	94-08	F4RZ-7B328-C	89969
A115	Shaft, oil pump drive 14 3/4" length	V/6	1	94-08	F4RZ-7B328-B	89969A
A116	Pump assembly	2nd design (will retro)	1	94-08	AE	89424A-R
A117	Gears, pump	inner/outer	1	94-08	AE	K89201
A118	Pump plate	will retro w/late stator	1	97-08	F7RZ-7A142-AA	89202
HARD PARTS						
F119	Spring	overdrive servo	1	94-96	F3RZ-7H073-A	89706
F119	Spring	overdrive servo	1	97-08	F7RZ-7H073-AA	89706A
G130	Chain, drive w/1 copper link 3/4" 45 links	L/4	1	94-02	HV-043	89973
G130	Chain, drive 1" w 46 links	L/4 and V/6	1	94-08	HV-044	89973A
G130	Chain, drive w/2 copper links 3/4" 46links	L/4 and V/6	1	94-04	HV-045	89973B
G132	Sprocket, driven 1 3/4" od 26th sun gear	L/4 (50th .650" sprocket width)	1	94-08	F3RZ-7G132-A	89918-R
G132	Sprocket, driven 2" od 26th sun gear	V/6 (54th .855" sprocket width)	1	94-08	F4RZ-7G132-B	89916-R
G132	Sprocket, driven 2" od 26th sun gear	L/4 (54th .650" sprocket width)	1	94-08	AE	89917-R
G133	Sprocket, drive	L/4 (55th .605" sprocket width)	1	94-08	F3RZ-7A153-A	89750-R
G133	Sprocket, drive	V/6 (55th .855" sprocket width)	1	94-08	F3RZ-7A153-B	89750A-R
G133	Sprocket, drive	L/4 (57th .605" sprocket width)	1	94-08	F3RZ-7A153-	89750B-R
B143	Planetary, reverse/overdrive	CD4E	1	94-08	F3RZ-7D006-A	89930-R
B152	Shell, reverse w/sun gear 58T	CD4E	1	94-08	F3RZ-7A626-A	89936
B152	Shell, reverse w/sun gear 58T	CD4E	1	94-08	F3RZ-7A626-A	89936-R
B153	Gear, forward ring 101T	61 splines	1	94-08	AE	89937-R
B154	Planetary, forward	CD4E	1	94-08	F3RZ-7A398-A	89931
B154	Planetary, forward	CD4E	1	94-08	F3RZ-7A398-A	89931-R
C162	Shaft, turbine 8 1/4" length L/4	CD4E	1	94-08	F3RZ-7F213-A	89970-R
C162	Shaft, turbine 9" length V/6	CD4E	1	94-08	F4RZ-7F213-A	89970A-R
D165	Piston, forward clutch	CD4E	1	94-98	F3RZ-7A262-A	89531-R
D165	Piston, forward clutch	CD4E	1	98-08	AE	89531A-R
D166	Housing, forward/direct clutch	L/4	1	94-96	F5RZ-7G120-A	89725-R

CD4E•LA4A-EL

CD4E•LA4A-EL

ILL	DESCRIPTION		QTY	YEAR	REFERENCE #	PART #
HARD PARTS (CONTINUED)						
D166	Housing, forward/direct clutch	V/6	1	94-98	F4RZ-7G120-A	89725A
D166	Housing, forward/direct clutch	V/6	1	98-08	F4RZ-7G120-A	89725A-R
D166	Housing, forward/direct clutch	V/6	1	98-08	F7RZ-7G120-AA	89725B
D166	Housing, forward/direct clutch	V/6	1	78-85	F7RZ-7G120-AA	89725B-R
D167	Piston, direct clutch	CD4E	1	94-08	F3RZ-7A262-A	89532-R
D170	Shell, direct	CD4E	1	94-08	F4RZ-7D064-A	89728
D170	Shell, direct	CD4E	1	94-08	F4RZ-7D064-A	89728-R
E172	Drum, reverse	CD4E	1	94-08	F3RZ-7D044-A	89727
E172	Drum, reverse	CD4E	1	94-08	F3RZ-7D044-A	89727-R
D175	Retainer, w/springs	coast piston	1	94-08	F3RZ-7G299-A	89432
E176	Hub	reverse clutch	1	94-08	F3RZ-7D391-A	89732-R
ELECTRICAL COMPONENTS						
A192	Sensor (1st design)	turbine speed	1	94-96	F3RZ-7M101-A	5A-603
A192	Sensor (white w/green connector)	turbine speed (Probe only)	1	94-97	F7RZ-7M101-HA	5A-603A
A192	Sensor (white w/black connector)	turbine speed (All others)	1	94-08	1S7Z-7M101-KA	5A-603B
n/i	Sensor, range	MLPS	1	94-08	F3RZ-7F293-A	05-114
n/i	Solenoid assembly (12.4-19 ohm TCC)	replaces 5A-415A	1	94-08	F6RZ-7G391-A	5A-415B
n/i	Sensor	L/4 2.0L (vehicle speed/VSS)	1	95-08	F5RZ-9E731-AC	05-98
n/i	Sensor	V/6 2.5L (vehicle speed/VSS)	1	95-08	F5RZ9E731-BC	05-99
n/i	Sensor	output speed/OSS	1	99-08	6L8Z-7H103-AA	05-100
SPRAGS						
B147	Roller clutch	low	1	94-08	n/a	K89960
B148	Roller clutch	low	1	94-08	F3RZ-7A089-B	89960
C158	Sprag .595" wide	forward (bronze bushing in sun gear)	1	94-97	F3RZ-7A089-A	89402
C158	Sprag .545" wide	forward (babbitt bushing in sun gear)	1	98-08	F8RZ-7A089-A	89402A
C160	Sprag	forward	1	94-08	3L82-7A089-AA	K89730
C160	Sprag assembly	forward (bronze bushing in sun gear)	1	94-97	F3RZ-7A089-A	K89730-R
C160	Sprag assembly	forward (babbitt bushing in sun gear)	1	98-08	F8RZ-7A089-A	K89730A-R
BONDED PISTONS						
F120	Piston w/pin w/no ring w/spring	overdrive servo (1st design)	1	94-96	F4RZ-7H188-F	89528
F120	Piston w/pin w/1 ring w/spring	overdrive servo (1st design)	1	94-96	F4RZ-7H188-E	89528A
F120	Piston w/pin w/2 rings w/spring	overdrive servo (1st design)	1	94-96	F4RZ-7H188-D	89528B
F120	Piston w/pin w/no ring w/o spring	overdrive servo (2nd design)	1	97-08	F7RZ-7H188-CA	89528D
F120	Piston w/pin w/1 ring w/o spring	overdrive servo (2nd design)	1	97-08	F7RZ-7H188-BA	89528E
F120	Piston w/pin w/2 rings w/o spring	overdrive servo (2nd design)	1	97-08	F7RZ-7H188-AA	89528F
F121	Cover	overdrive servo	1	94-08	F4RZ-7D027-A	89529
D164	Piston .590" oh	coast clutch	1	94-97	F3RZ-7A262-C	89530
D164	Piston .680" oh .090" taller	coast clutch	1	98-08	F8RZ-7A262-BA	89530A
E173	Piston	reverse clutch	1	94-08	F3RZ-7E079-A	89533
NOTES						

MAKE	MODEL	YEAR
GM	6L80E	2006-On

DESCRIPTION & NOTES...

Now Available!

6L80E

PowerPacks®

OEI® Original Equipment Improvements	
Alto #	Description
195756	4-5-6 Clutch Hi-Performance PowerPack®
195757	3-5 Reverse Clutch Hi-Performance PowerPack®

- **Extended Durability**
- **Superior Coefficient of Friction**
- **Elevated Heat Management**



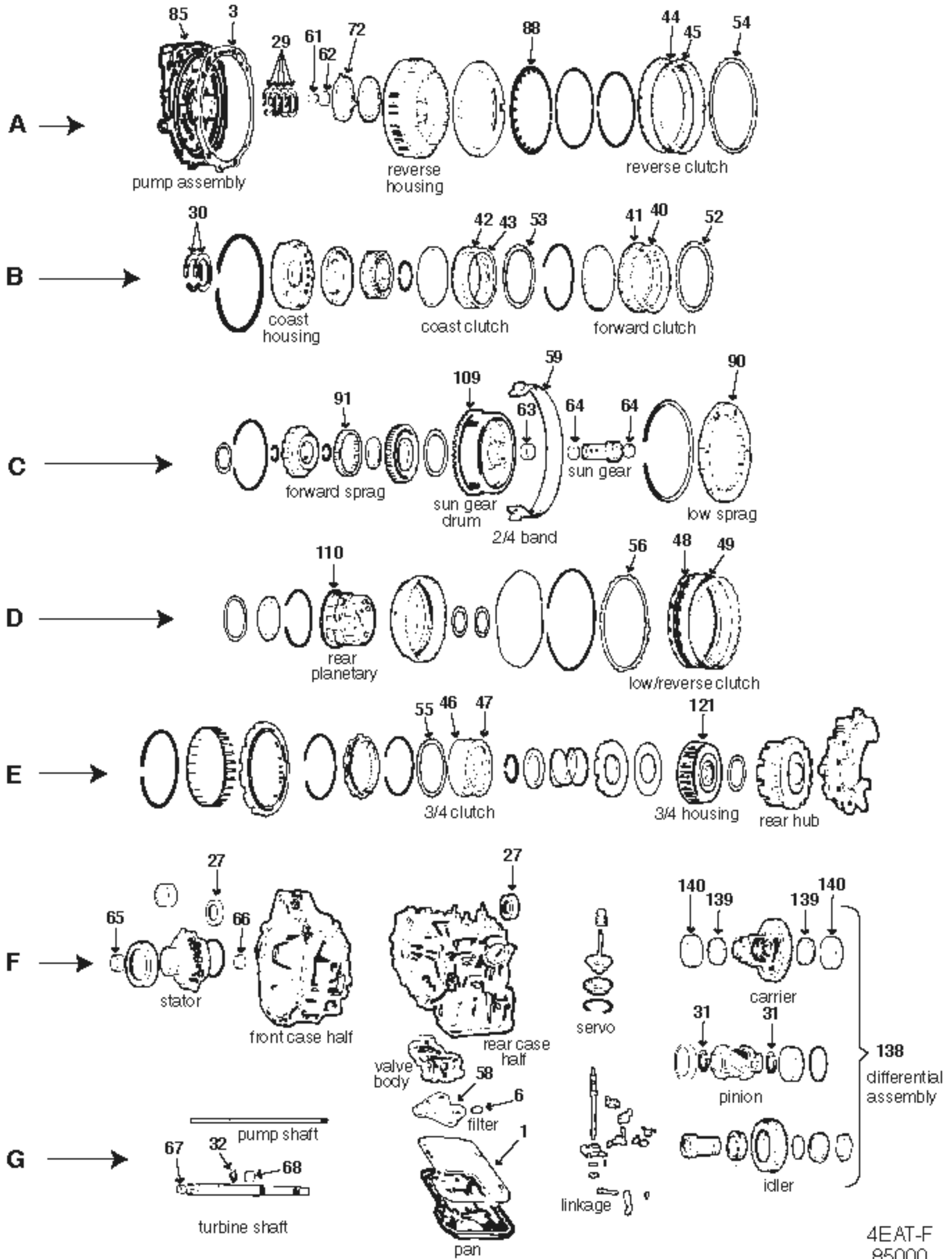
Call your A & REDS Representative for price and availability.

SHIFT ...YOUR THINKING

Clutches and Gears for Automatic Transmissions

10007023





ILL	DESCRIPTION	QTY	YEAR	REFERENCE #	PART #
TECHNICAL MANUALS					
K53	Tech manual 4EAT-F/F4A-EL dis/assembly diagnosis/troubleshooting	1	90-05	83-F4EATTM	010-212
REBUILDER KITS					
K4	Master deluxe rebuild kit 4EAT-F	1	90-03	AE	K8500-R
K4	Master deluxe rebuild kit KIA F4A-EL/4EAT-F	1	03-05	AE	K8500B-R
K5	Master kit w/steels 4EAT-F	1	90-03	AE	K8500
K5	Master kit w/steels KIA F4A-EL/4EAT-F	1	03-05	AE	K8500B
K6	Master kit w/o steels 4EAT-F	1	90-03	AE	K8500-LS
K6	Master kit w/o steels KIA F4A-EL/4EAT-F	1	03-05	AE	K8500B-LS
K7	O/H gasket set w/seals-rings 4EAT-F	1	90-05	AE	K85900
VALVE BODY KITS					
K15	Shift Kit® 4EAT-F	1	90-05	SK® F4AEL	K85908
K15	Valve body calibration system 4EAT-F fixes lock-up/2-3/forward/reverse	1	90-05	F4A-CPR	G85908
K15	Pump valve kit 4EAT-F	1	90-05	F4A-valve	K85976
GASKETS AND RUBBER COMPONENTS					
G1	Gasket, oil pan 4EAT-F (neoprene/cork)	1	90-05	F1CZ-7A191-A	13010X
G1	Gasket, oil pan 4EAT-F (Duraprene®)	1	90-05	F1CZ-7A191-A	13010D
A3	Gasket 4EAT-F (pump to case)	1	90-05	FU60-19-705B	13011
G6	O'ring 4EAT-F (filter)	1	90-05	F1CZ-7A469-A	13014
n/i	Kit, gaskets valve body Mazda 4EAT-F	1	90-96	n/a	13012
n/i	Kit, gaskets valve body Mazda 4EAT-F	1	97-99	n/a	13013
n/i	Kit, accumulator D'ring 4EAT-F	1	90-05	n/a	K85900-3
METAL CLAD SEALS					
F24	Seal, metal clad 4EAT-F (front)	1	90-05	E92Z-7F401-A	76200
F27	Seal, metal clad 4EAT-F (axle right/left)	2	90-05	E8GZ-1177-D	63201
n/i	Seal, metal clad 16x7x6mm 4EAT-F (speedo)	1	90-05	9958-60-8166	50207
SEALING RINGS					
K10	Kit, sealing ring (teflon) 4EAT-F	1	90-05	AE	K85903
A29	Ring, sealing (metal) 4EAT-F (pump stator)	4	90-05	F1CZ-7D019-A	85300
B30	Ring, sealing (teflon) 4EAT-F (coast clutch)	2	90-05	F1CZ-7A-294-A	85301
F31	Ring, sealing (metal) 4EAT-F (output gear)	2	90-05	F1CZ-7G092-A	85302
G32	Ring, sealing (teflon) 4EAT-F (turbine shaft)	1	90-05	E92Z-7G090-A	76304T
CLUTCH PLATES					
B40	Friction .063" 4.975" od 42T forward clutch	3	90-03	F1CZ-7B164-A	85101
B40	Friction .075" 4.975" od 47T KIA (forward clutch)	3	03-05	45449-2Z610	85101B
B41	Steel .063" 4.355" id 32T forward clutch	3	90-05	F1CZ-7B442-A	85111
B41	Kit, forward drum saver 4EAT-F	1	90-05	81755	K85111
B42	Friction .063" 4.533" od 16T coast clutch (3rd)	2	90-05	F1CZ-7B164-B	85102
B43	Steel .063" 3.865" id 26T coast clutch (3rd)	2	90-05	F1CZ-7B442-B	85112
A44	Friction .063" 6.895" od 45T reverse clutch	2	90-05	F1CZ-7B164-A	85103
A45	Steel .063" 6.325" id 32T reverse clutch	2	90-05	F1CZ-7B442-C	85113
E46	Friction .063" 4.330" od 22T overdrive 3-4 clutch	4	90-05	F1CZ-7B164-D	85104
E47	Steel .063" 3.675" id 38T (not in kits) overdrive 3-4 clutch (1st design)	4	90-91	F1CZ-7B442-D	85114
E47	Steel .071" 3.675" id 38T (not in kits) overdrive 3-4 clutch (2nd design)	4	90-91	F1CZ-7B442-D	85116
E47	Steel .130" 3.675" id 38T overdrive 3-4 clutch (MX3 and D.O.H.C.)	3	94-99	FW30-19-334	85119
E47	Steel .091" 3.675" id 38T overdrive 3-4 clutch	4	90-05	F1CZ-7B442-F	85117
D48	Friction .063" 7.075" od 48T low/reverse clutch	4	90-05	F1CZ-7B164-E	85105
D49	Steel .063" 6.540" id 16T low/reverse clutch	4	90-05	F1CZ-7B442-E	85115
n/i	Steel, dished 4EAT-F (forward clutch)(cushion)	1	90-05	F1CZ-7B070-A	85107-R
n/i	Steel, dished 4EAT-F (coast clutch)(cushion)	1	90-05	F1CZ-7B070-B	85107A-R
n/i	Steel, dished 4EAT-F (reverse clutch)(cushion)	1	90-05	F1CZ-7B070-C	85107B-R
PRESSURE PLATES					
B52	Pressure plate .180" 4.5mm 32T forward clutch	1	90-05	F1CZ-7B066-A	85711-R
B53	Pressure plate .135" 3.6mm 26T coast clutch	1	90-05	F1CZ-7B066-B	85712-R

4EAT-F•F4A-EL•IF4E-F4E-111

4EAT-F•F4A-EL•IF4E-F4E-111

ILL	DESCRIPTION	QTY	YEAR	REFERENCE #	PART #
PRESSURE PLATES (CONTINUED)					
A54	Pressure plate .230" 5.8mm 32T reverse clutch	1	90-05	F1CZ-7B066-C	85713-R
E55	Pressure plate .135" 3.6mm 38T 3-4 clutch	1	94-05	F1CZ-7B066-D	85714-R
E55	Pressure plate .180" 4.5mm 38T 3-4 clutch (use w/.130" steels)	1	90-05	F7CZ-7B066-AA	85719-R
D56	Pressure plate .210" 5.6mm 16T low/reverse clutch	1	90-05	F1CZ-7B066-E	85715-R
FILTERS					
K9	Kit, filter 4EAT-F (neoprene/cork)	1	90-03	AE	FK85710
K9	Kit, filter 4EAT-F (Duraprene®)	1	90-03	AE	DK85710
K9	Kit, filter 4EAT-F (neoprene/cork)	1	93-05	AE	FK85710A
K9	Kit, filter 4EAT-F (Duraprene®)	1	93-05	AE	DK85710A
G58	Filter 4EAT-F	1	90-03	1CZ-7A098-A	85710
G58	Filter (w/tube) 4EAT-F	1	93-05	n/a	85710A
BANDS					
C59	Band, flex 4EAT-F (2-4)	1	90-05	F1CZ-7D134-A	85700
BUSHINGS					
K13	Kit, bushing 4EAT-F	1	90-05	AE	K85901
A61	Bushing 4EAT-F (pump cover)(inner small)	1	90-05	n/a	85001
A62	Bushing 4EAT-F (pump cover)(outer large)	1	90-05	n/a	85002
C63	Bushing 4EAT-F (sun gear drum)	1	90-05	n/a	85003
C64	Bushing 4EAT-F (sun gear)	2	90-05	n/a	85004
F65	Bushing 4EAT-F (stator front)	1	90-05	n/a	85005
F66	Bushing 4EAT-F (stator rear)	1	90-05	n/a	85006
G67	Bushing 4EAT-F (turbine shaft inner)	1	90-05	n/a	85007
G68	Bushing (teflon) 4EAT-F (turbine shaft outer splined)	1	90-05	n/a	85008
n/i	Bushing 4EAT-F (pump gear inner)	1	90-05	n/a	85009
n/i	Bushing 2.086" id 4EAT-F (converter hub)	1	90-05	n/a	76002
WASHERS/BEARINGS/RACES/SHIMS					
A72	Thrust washer 1.2mm .047" 4EAT-F (pump cover to reverse housing)	sel	90-05	E92Z-7D014-E	85400
A72	Thrust washer 1.4mm .055" 4EAT-F (pump cover to reverse housing)	sel	90-05	E92Z-7D014-F	85400A
A72	Thrust washer 1.6mm .063" 4EAT-F (pump cover to reverse housing)	sel	90-05	E92Z-7D014-A	85400B
A72	Thrust washer 1.8mm .071" 4EAT-F (pump cover to reverse housing)	sel	90-05	E92Z-7D014-B	85400C
A72	Thrust washer 2.0mm .078" 4EAT-F (pump cover to reverse housing)	sel	90-05	E92Z-7D014-C	85400D
A72	Thrust washer 2.2mm .087" 4EAT-F (pump cover to reverse housing)	sel	90-05	E92Z-7D014-D	85400E
PUMP PARTS AND PUMPS					
A85	Pump assembly 4EAT-F rotor type (exchange)	1	90-05	AE	85200-R
HARD PARTS					
E88	Spring, diaphragm 4EAT-F (reverse)	1	90-05	FU60-19-551E	85745-R
D109	Drum, sun gear 4EAT-F	1	90-05	F1CZ-7A626-A	85728-R
D110	Planetary (carrier) with raised flange (rear)	1	90-05	FU60-19-380	85730-R
D110	Planetary (carrier) 4EAT-F (flat style)(rear)	1	93-05	FU60-19-380A	85730A-R
E121	Housing, 3rd and 4th clutch 4EAT-F	1	90-99	FU60-19-340B	85749-R
E121	Housing, 3rd and 4th clutch smooth	1	99-05	F8EZ-7F283-AA	85749A-R
F139	Bearing, tapered (cone) 4EAT-F (differential carrier)	2	90-05	n/a	48767
F140	Bearing, tapered (cup) 4EAT-F (differential carrier)	2	90-05	n/a	48768
n/i	Retainer, front seal 4EAT-F	1	90-05	n/a	85991
ELECTRICAL COMPONENTS					
n/i	Solenoid 4EAT-F (2-3/3-4 shift)	2	90-05	FU61-21-280D	5A-192
n/i	Solenoid 4EAT (1-2 shift)	1	90-05	FU61-21-258B	5A-193
n/i	Solenoid 4EAT (lock-up/TCC)	1	90-05	FU61-21-286B	5A-194
n/i	Solenoid, set w/harness 4EAT (w/o EPC solenoid)	1	90-05	52-0231	5A-182
n/i	Solenoid Mazda/Ford 4EAT (elect press control EPC)	1	97-05	52-0341	5A-225
SPRAGS					
C90	Sprag low/reverse	1	90-05	FU60-19-4G0B	85503
C91	Sprag forward	1	90-05	FU60-19-630	85502

Your Most Valuable Tool to Fix TRANSMISSIONS

ATSG



Thousands of transmission shops and general repair facilities worldwide count on the experienced staff and resources at ATSG to help them get the job done right and on time. All of ATSG's certified technicians have years of hands-on experience and are available to answer your tech problems on both foreign and domestic automatic transmissions.

In addition to our Technical Hotline, ATSG offers the latest Books, Software, Bulletins, Seminars and Technical Courses to the Automatic Transmission Professional.

So, stop turning away transmission repair work! ATSG is here to help you solve all your automatic transmission repair problems.

Call us today at (800) 245-7722

or visit us online at

www.atsg.biz

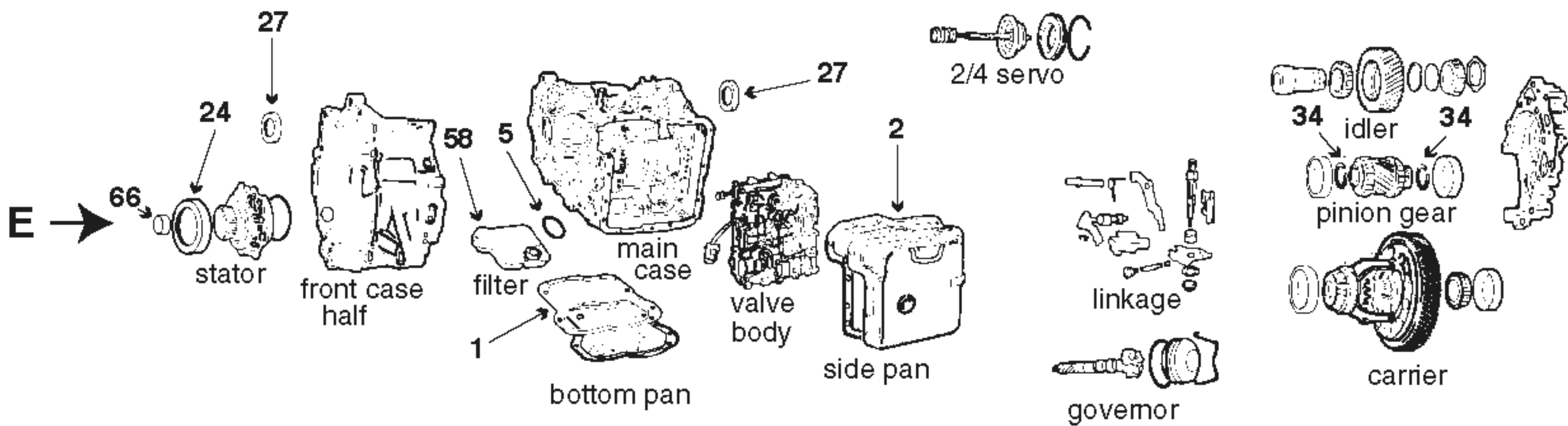
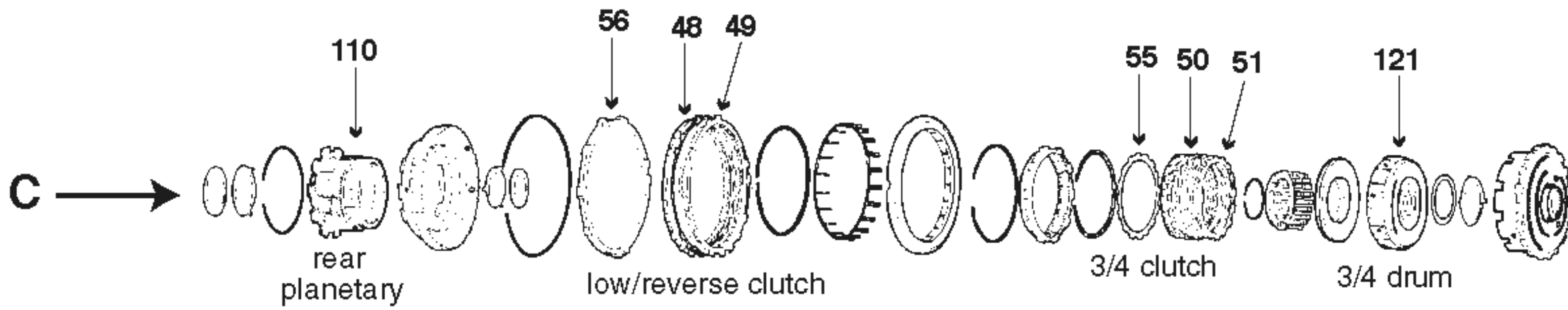
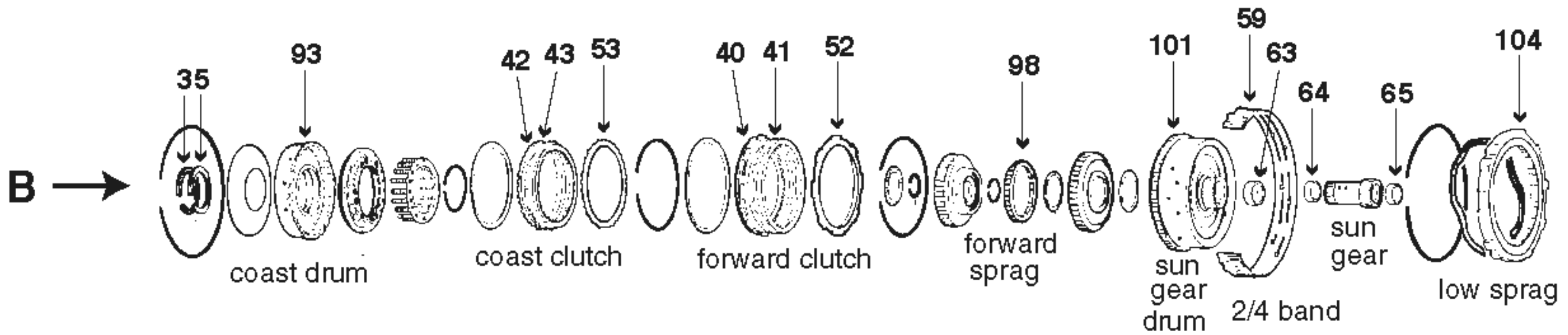
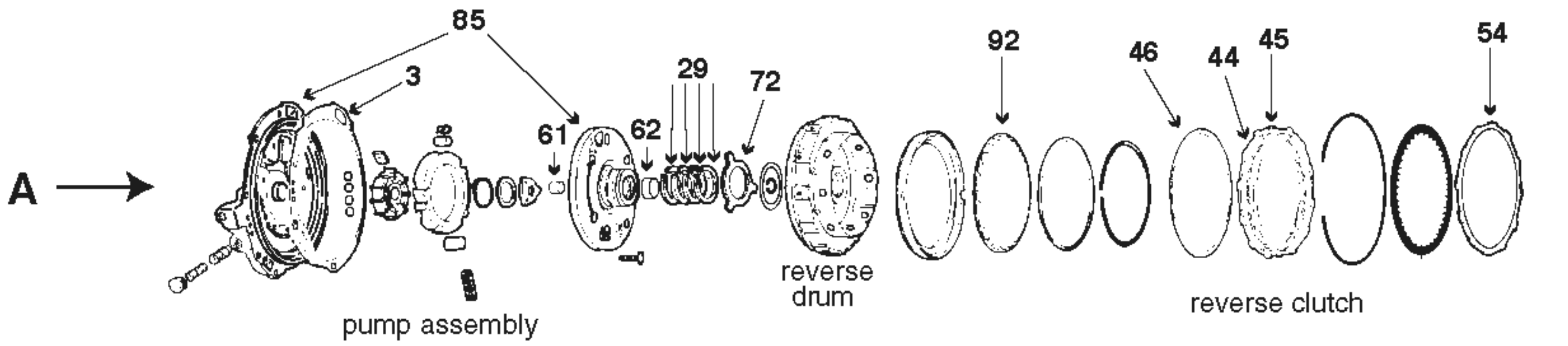
Try our pay per call option.

Become a Member Today & Take Advantage of...

- Our huge library which exceeds any single shop's library.
- Our "Superior Technical Hotline" which outranks the rest.
- 10 knowledgeable technicians which are there to assist you with any problems.
- The savings we provide by solving your transmission problems. One answered question can surpass the value of your subscription fee.



Expert Help is Just a Phone Call Away.



4EAT-G
76000

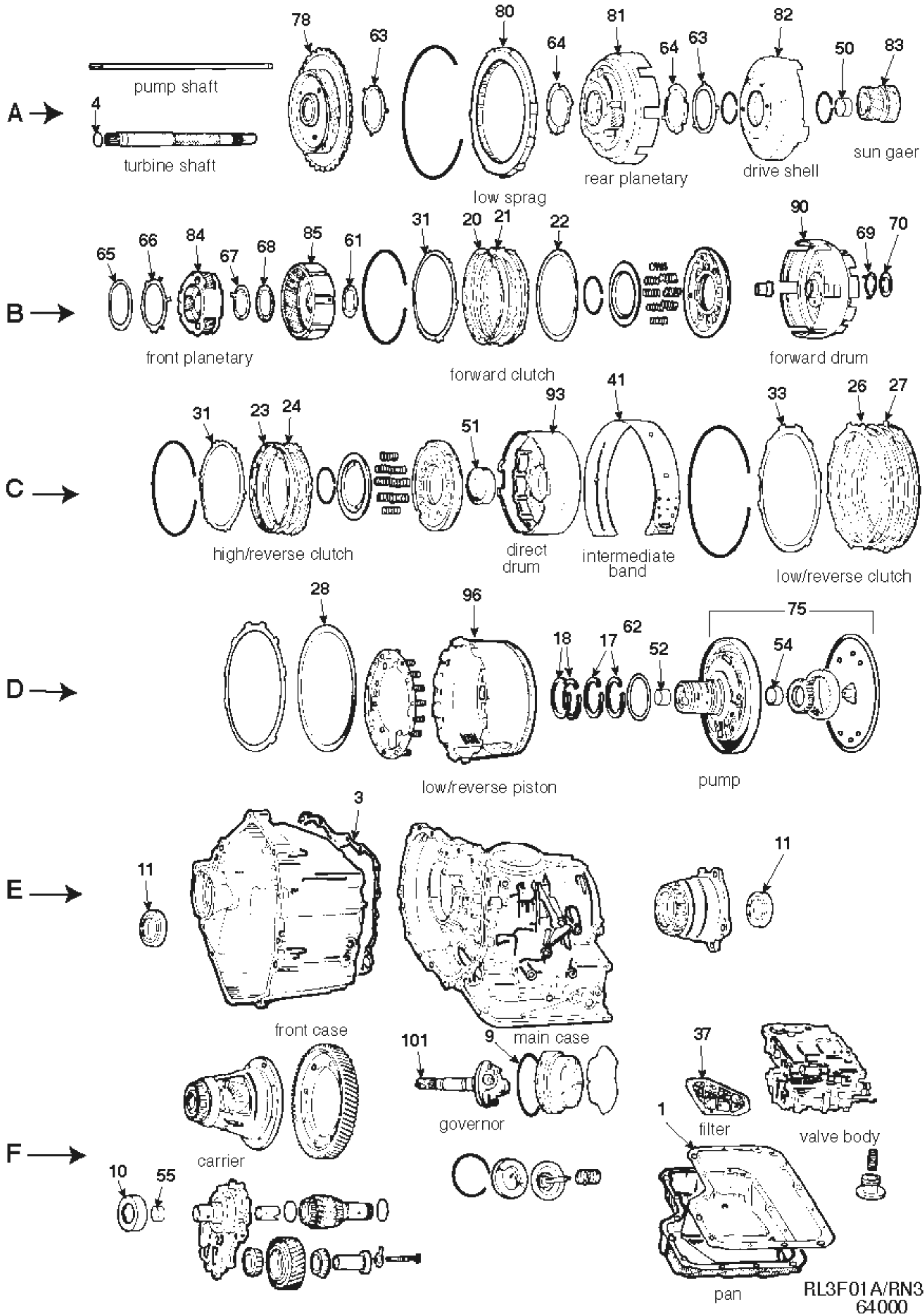
ILL	DESCRIPTION	QTY	YEAR	REFERENCE #	PART #
TECHNICAL MANUALS					
K53	Tech manual G4A-EL dis/assembly	1	88-02	83-G4AELTM	010-427
K53	Tech manual G4A-HL dis/assembly	1	86-94	83-G4AHLTM	010-428
K53	Tech manual GF4A-EL dis/assembly	1	93-02	83-GF4AELTM	010-456
REBUILDER KITS					
K4	Master deluxe rebuild kit	1	86-87	AE	K7600-R
K4	Master deluxe rebuild kit	1	88-92	AE	K7600A-R
K4	Master deluxe rebuild kit	1	88-92	AE	K7600B-R
K4	Master deluxe rebuild kit	1	93-00	AE	K7600C-R
K4	Master deluxe rebuild kit	1	00-02	AE	K7600D-R
K5	Master kit w/steels	1	86-87	AE	K7600
K5	Master kit w/steels	1	88-92	AE	K7600A
K5	Master kit w/steels	1	88-92	AE	K7600B
K5	Master kit w/steels	1	93-00	AE	K7600C
K5	Master kit w/steels	1	00-02	AE	K7600D
K6	Master kit w/o steels	1	86-87	AE	K7600-LS
K6	Master kit w/o steels	1	88-92	AE	K7600A-LS
K6	Master kit w/o steels	1	93-00	AE	K7600C-LS
K6	Master kit w/o steels	1	01-02	AE	K7600D-LS
K7	O/H gasket set w/seals-rings	1	86-94	AE	K76900
K7	O/H gasket set w/seals-rings	1	93-02	AE	K76900C
K11	Gasket and seal kit	1	86-94	AE	K76900-1
K11	Gasket and seal kit	1	93-02	AE	K76900C-1
n/i	Kit, accumulator O'ring	1	86-89	AE	K76900-3
n/i	Kit, accumulator D'ring	1	90-02	AE	K76900A-3
VALVE BODY KITS					
K15	Shift Kit® fix rev/fwd drag	1	86-94	SK® G4A	K76908
K15	Shift Kit® low/high line pressure	1	93-02	SK® GF4A-EL	K76908A
GASKETS AND RUBBER COMPONENTS					
E1	Gasket, oil pan (w/o turbo)	1	86-02	E92Z-7A191-A	13130D
E1	Gasket, oil pan (w/turbo)	1	88-92	F02Z-7A191-A	13133D
E2	Gasket, valve body cover (w/o turbo)	1	86-02	E92Z-7F396-A	13132D
E2	Gasket, valve body cover (w/turbo)	1	88-92	F02Z-7F396-A	13134D
A3	Gasket, pump to case	1	86-02	E92Z-7A136-A	23395
E5	O'ring	1	86-02	E92Z-7A469-A	23943
n/i	O'ring	12	86-02	9954-10-0807	23944
METAL CLAD SEALS					
E24	Seal, metal clad	1	86-02	E92Z-7F401-A	76200
E27	Seal, metal clad	2	86-02	FU03-27-238	63201
n/i	Seal, metal clad 16x7x6mm	1	86-02	9958-60-8166	50207
SEALING RINGS					
K10	Kit, sealing ring	1	86-02	AE	K76903
A29	Ring, sealing (metal)	4	86-02	E92Z-7D019-A	76300
A29	Ring, sealing (teflon)	4	86-02	E92Z-7D019-A	76300T
D31	Ring, sealing (teflon)	1	86-87	FU01-19-762A	76303T
D31	Ring, sealing (teflon)	1	88-02	E92Z-7G090-A	76304T
E34	Ring, sealing (metal)	2	86-02	E92Z-7G092-A	76302
E34	Ring, sealing (teflon)	2	86-02	E92Z-7G092-A	76302T
B35	Ring, sealing (teflon)	2	86-02	E92Z-7A294-A	76301T
CLUTCH PLATES					
B40	Friction .063" 5.710" od 48T	3/4	86-02	E92Z-7B164-A	76106
B41	Steel .063" 4.815" id 8T	3/4	86-92	E92Z-7B442-A	76101
B41	Steel .063" 4.815" id 32T	3	93-02	F32Z-7B442-C	76119
B42	Friction .061" 5.165" od 44T (V T)	2	86-87	FU01-19-590	76102

4EAT-G•G4A-EL•G4A-HL•GF4A-EL

4EAT-G•G4A-EL•HL•GF4A-EL

ILL	DESCRIPTION		QTY	YEAR	REFERENCE #	PART #
CLUTCH PLATES (CONTINUED)						
B42	Friction .061" 5.165" od 44T (square T)	coast clutch	2	88-02	E92Z-7B164-B	76110
B43	Steel .063" 4.415" id 32T	coast clutch	2	86-02	E92Z-7B442-B	76103
A44	Friction .063" 7.715" od 58T (V T)	reverse clutch	2	86-87	FU01-19-460	76100
A44	Friction .063" 7.715" od 58T (square T)	reverse clutch	2	88-02	E92Z-7B164-C	76108
A44	Friction .063" 7.715" od 32T (high energy)	reverse clutch	2	01-02	GF30-19-5J0	76112
A45	Steel .063" 7.105" id 12T	reverse clutch	2	86-92	E92Z-7B442-C	76118
A45	Steel .072" id 12T oversize	reverse clutch	ar	86-92	FU50-19-561-OS	76117
A45	Steel .063" 7.085" id 32T	reverse clutch	2	93-02	F32Z-7B442-D	76121
A46	Drum saver (waved cushion plate with tab)	reverse clutch	1	86-92	APC-074705XU	76120
C48	Friction .063" 7.715" od 58T (V T)	low/reverse clutch	3	86-87	FU01-19-460	76100
C48	Friction .063" 7.715" od 58T (square T)	low/reverse clutch	4/5	88-02	92Z-7B164-C	76108
C49	Steel .063" 7.125" id 15T	low/reverse clutch	3/5	86-02	E92Z-7A294-A	76107
C50	Friction .063" 4.650" od 50T	3/4 clutch	4/5	86-02	E92Z-7B164-D	76104
C51	Steel .063" 4.015" id 16T	3/4 clutch	5	86-87	FU01-19-334	76105
C51	Steel .091" 4.015" id 30T	3/4 clutch (w/turbo)	5	88-92	FU32-19-334	76113
C51	Steel .063" 4.015" id 29T	3/4 clutch	5	88-94	E92Z-7B442-D	76111
C51	Steel .130" 4.015" id 29T	3/4 clutch	4	93-02	F32Z-7B442-B	76122
n/i	Steel	forward clutch (cushion)	1	86-92	AE	76109B-R
n/i	Steel	coast clutch (cushion)	1	86-02	AE	76109A-R
n/i	Steel	low/reverse clutch (cushion)	1	86-02	AE	76109C-R
n/i	Steel	3/4 clutch (cushion)	1	86-92	AE	76109-R
PRESSURE PLATES						
B52	Pressure plate 6.1mm 8T	forward clutch	sel	86-92	E92Z-7B066-A	76714-R
B52	Pressure plate 6.3mm 8T	forward clutch	sel	87-92	n/a	76714A-R
B52	Pressure plate 5.3mm 32T	forward clutch	sel	93-02	n/a	76724-R
B53	Pressure plate 5.2mm 32T	coast clutch	sel	86-02	E92Z-7B066-G	76715-R
B53	Pressure plate 3.8mm 32T	coast clutch	sel	86-02	n/a	76715A-R
A54	Pressure plate 6.6mm 12T	reverse clutch	sel	86-92	E92Z-7B066-N	76716-R
A54	Pressure plate 7.8mm 12T	reverse clutch	sel	86-92	FU04-19-573	76717-R
A54	Pressure plate 7.0mm 32T	reverse clutch	sel	93-02	n/a	76725-R
C55	Pressure plate 4.2mm 16T	overdrive clutch	sel	86-87	FU04-19-361A	76718-R
C55	Pressure plate 4.2mm 30T	overdrive clutch	sel	88-02	E92Z-7B066-AE	76719-R
C55	Pressure plate 5.2mm 30T	overdrive clutch	sel	88-02	FU51-19-365	76720-R
C56	Pressure plate 10.2mm 15T	low/reverse clutch	sel	86-89	FU01-19-453A	76721-R
C56	Pressure plate 7.0mm 15T	low/reverse clutch	sel	88-02	FU04-19-454A	76722-R
C56	Pressure plate 7.2mm 15T	low/reverse clutch	sel	88-02	E92Z-7B066-AA	76722A-R
C56	Pressure plate 7.4mm 15T	low/reverse clutch	sel	88-02	n/a	76722B-R
C56	Pressure plate 10.4mm 15T	low/reverse clutch	sel	88-02	FU01-19-454A	76723-R
C56	Pressure plate 10.6mm 15T Mazda 323	low/reverse clutch	sel	88-02	n/a	76723A-R
FILTERS						
K9	Kit, filter	626/MX6	1	86-87	AE	DK76800
K9	Kit, filter	626/MX6/Probe	1	87-92	AE	DK76800A
K9	Kit, filter	4WD Protege/323/Capri	1	87-93	AE	DK76800B
K9	Kit, filter	626/MX6/Probe/Millenia	1	93-02	AE	DK76800D
E58	Filter 4 bolt	626/MX6	1	86-87	FTH-19-815D	76800
E58	Filter 3 bolt 1" thick	626/MX6/Probe	1	87-92	E92Z-7A098-A	76800A
E58	Filter 3 bolt 1.5" thick	4WD Protege/323/Capri	1	87-94	F0JY-7A098-A	76800B
E58	Filter	626/MX6/Probe/Millenia	1	93-02	F32Z-7A098-A	76800D
BANDS						
B59	Band, flex 1 1/2" wide (w/o turbo)	2/4	1	87-02	E92Z-7D034-A	76700
B59	Band, flex 1 3/4" wide (w/turbo)	2/4	1	86-02	F02Z-7D034-A	76700A
BUSHINGS						
K13	Kit, bushing	G4A-HL/4EAT-G	1	86-02	AE	K76901

ILL	DESCRIPTION	QTY	YEAR	REFERENCE #	PART #
BUSHINGS (CONTINUED)					
A61	Bushing pump cover (front/small)	1	86-02	n/a	76003
A62	Bushing pump cover (rear/large)	1	86-02	n/a	76004
B63	Bushing sun gear drum (w/o turbo)	1	88-02	n/a	76001
B63	Bushing sun gear drum (w/turbo)	1	86-02	n/a	76005
B64	Bushing sun gear (w/oil holes)	1	86-02	n/a	76006
B65	Bushing sun gear (w/o oil holes)	1	86-87	n/a	76007
E66	Bushing 1.100" id	1	88-02	n/a	76008
E66	Bushing .910" id	1	86-02	n/a	79009
D67	Bushing (plastic ribbed)	1	86-87	E92Z-7G220-A	76010
n/i	Bushing 2.250" id	1	88-02	n/a	76002A
n/i	Bushing 2.086" id	1	86-02	n/a	76002
WASHERS/BEARINGS/RACES/SHIMS					
A72	Thrust washer 1.2mm .047"	sel	86-02	E92Z-7D014-E	85400
A72	Thrust washer 1.4mm .055"	sel	86-02	E92Z-7D014-F	85400A
A72	Thrust washer 1.6mm .063"	sel	86-02	E92Z-7D014-A	85400B
A72	Thrust washer 1.8mm .071"	sel	86-02	E92Z-7D014-B	85400C
A72	Thrust washer 2.0mm .078"	sel	86-02	E92Z-7D014-C	85400D
A72	Thrust washer 2.2mm .087"	sel	86-02	E92Z-7D014-D	85400E
PUMP PARTS AND PUMPS					
A85	Pump, complete	1	86-94	F22Z-7A103-A	76200-R
A85	Pump, complete	1	88-92	FO2Z-7A103-C	76200A-R
A85	Pump, complete	1	93-02	F32Z-7A102-A	76200B-R
HARD PARTS					
A92	Spring, reverse diaphragm return	1	86-02	E92Z-7E085E	76745
B93	Housing, coast clutch	1	86-94	E92Z-7A262-A	76726-R
B93	Housing, coast clutch	1	93-02	F32Z-7A262-C	76727-R
B101	Drum, w/sun gear 1.75" band surface	1	86-87	FU01-19-680G	76728-R
B101	Drum, w/sun gear 1.75" band surface	1	88-02	F52Z-7A626-A	76728A-R
B101	Drum, w/sun gear 2" band surface	1	88-92	F02Z-7A626-A	76728B-R
C110	Planetary assembly (10T on flange)	1	86-87	FU01-19-380E	76730-R
C110	Planetary assembly (39T on flange)	1	88-92	E92Z-7A398-A	76730A-R
C110	Planetary assembly	1	93-02	F32Z-7A298-A	76730C-R
C121	Housing, 3-4 overdrive clutch	1	86-87	FU01-19-340J	76749-R
C121	Housing, 3-4 overdrive clutch	1	88-94	E98Z-7F283-A	76749A-R
C121	Housing, 3-4 overdrive clutch	1	88-92	F02Z-7A283-A	76749B-R
C121	Housing, 3-4 overdrive clutch	1	93-02	F32Z-7E283-A	76749C-R
n/i	Retainer, pump seal	1	86-02	n/a	76991
n/i	Gear, speedometer drive 25T (white)	1	88-92	n/a	76616
ELECTRICAL COMPONENTS					
n/i	Kit, solenoid set w/harness	1	88-94	FU84-21-280	5A-180
n/i	Kit, solenoid set	1	93-02	n/a	5A-191
n/i	Solenoid, on/off	1	86-93	n/a	5A-183
n/i	Solenoid	1/2	93-02	F3TZ-7G136-AA	5A-184
n/i	Solenoid	1	93-02	FU9A-21-1F1D	5A-186
n/i	Solenoid	1	93-02	FU9A-21-1F4D	5A-188
n/i	Solenoid	1	93-02	FU9A-21-1F3D	5A-189
n/i	Solenoid	1	93-02	FU9A-21-1F5D	5A-187
n/i	Solenoid	1	93-02	FU9A-21-1F2C	5A-185
SPRAGS					
B98	Sprag	1	87-89	E92Z-7A089-A	76502
B104	Sprag w/outer race	1	86-87	E92Z-7A089-B	76503
B104	Sprag w/outer race	1	88-02	E92Z-7A089-B	76503A
B104	Sprag w/outer race	1	93-02	FU40-19-4G0D	76503C



RL3F01A/RN3F01A
64000

ILL	DESCRIPTION	QTY	YEAR	REFERENCE #	PART #
TECHNICAL MANUALS					
K53	Tech manual RL/RN3F01A dis/assembly diagnosis/troubleshooting	1	81-92	83-RL3F01ATM	010-416
REBUILDER KITS					
K4	Master deluxe rebuild kit w/o turbo	1	81-92	AE	K6400-R
K4	Master deluxe rebuild kit w/turbo (Pulsar)	1	83-92	AE	K6400B-R
K5	Master kit w/steels w/o turbo	1	81-92	AE	K6400
K5	Master kit w/steels w/turbo (Pulsar)	1	83-92	AE	K6400B
K6	Master kit w/o steels w/o turbo	1	81-92	AE	K6400-LS
K6	Master kit w/o steels w/turbo (Pulsar)	1	83-92	AE	K6400B-LS
K7	O/H gasket set w/seals-rings RL3F01A	1	81-92	AE	K64900
K11	Gasket and seal kit RL3F01A	1	81-92	AE	K64900-1
GASKETS AND RUBBER COMPONENTS					
F1	Gasket, oil pan neoprene/cork	1	81-92	31397-01X01	13120X
F1	Gasket, oil pan Duraprene®	1	81-92	31397-01X01F	13120D
n/i	Gasket, front cover (stator) RL3F01A	1	81-92	31198-01X02	13115
E3	Gasket, converter housing/case RL3F01A	1	81-92	31309-01X10	13116
A4	O'ring turbine shaft	1	81-92	31159-X6101	23065
F9	Seal, lathe cut governor cover RL3F01A	1	81-92	31877-01X01	23047
n/i	O'ring throttle cable RL3F01A	1	81-92	31052-01X00	23026
n/i	O'ring filler tube	1	81-92	31084-M7500	23027
n/i	Gasket, filter RL3F01A	1	81-92	31729-01X00	23105
METAL CLAD SEALS					
F10	Seal, metal clad front	1	81-92	31197-01X01	64200
E11	Seal, metal clad axle left/ right	2	81-92	43252-M7000	64203
n/i	Seal, metal clad shift shaft	1	81-92	31375-41X00	78210
n/i	Seal, metal clad 16x10x4mm Nissan 16x10x4mm	1	81-92	32709-58S00	64205
SEALING RINGS					
K10	Kit, sealing ring RL3F01A	1	81-92	AE	K64300
D17	Sealing ring (metal) direct clutch	2	81-92	31361-01X00	64302
D17	Sealing ring (teflon) direct clutch	2	81-92	31361-01X00T	64302T
D18	Sealing ring (metal) forward clutch	2	81-92	31362-01X00	64303
D18	Sealing ring (teflon) forward clutch	2	81-92	31362-01X00T	64303T
CLUTCH PLATES					
B20	Friction .071" 5.044" od 8T forward clutch (w/o turbo)	4	81-92	31532-01X00	64100
B20	Friction .063" 5.044" 8T forward clutch (w/turbo)	4	83-92	31532-01X02	64100A
B21	Steel .078" 4.416" id 12T forward clutch	4	81-92	31536-01X00	64101
B22	Steel, dished forward clutch	1	81-92	31534-01X00	64101B-R
C23	Friction .071" 5.044" od 8T high/reverse clutch (w/o turbo)	2	81-92	31532-01X00	64100
C23	Friction .063" 5.044" 8T high/reverse clutch (w/turbo)	3	83-92	31532-01X01	64100A
C24	Steel .078" 4.416" id 12T high/reverse clutch	2/3	81-92	31536-01X00	64101
C24	Steel .079" 4.416" id 24T high/reverse clutch (not in kits)	3	81-92	31536-01X01	68102C
n/i	Steel, dished high/reverse clutch	1	81-92	31534-01X00	64101B-R
C26	Friction .078" 6.945" od 8T low/reverse clutch	4/5	81-92	31662-01X01	64106
C27	Steel .078" 6.302" id 8T low/reverse clutch	3/5	81-92	31666-01X00	64107
D28	Steel, dished low/reverse clutch	1	81-92	AE	64107B-R
n/i	Spacer forward clutch	1	81-92	AE	64101C-R
n/i	Spacer low/reverse clutch	1	81-92	AE	64107C-R
PRESSURE PLATES					
BC31	Pressure plate front/rear clutch packs 3.4mm .134"	sel	81-06	31537-01X05	64716-R
BC31	Pressure plate front/rear clutch packs 3.6mm .142"	sel	81-92	31537-01X00	64716A-R
BC31	Pressure plate .150" 24T 3.8mm .150"	sel	81-92	31537-01X01	64716B-R
B31	Pressure plate .157" 24T forward/high reverse clutch	sel	81-92	31537-01X02	64716C-R
B31	Pressure plate .165" 24T forward/high reverse clutch	sel	81-92	31537-01X03	64716D-R
B31	Pressure plate .173" forward/high reverse clutch	sel	81-92	31537-01X04	64716E-R

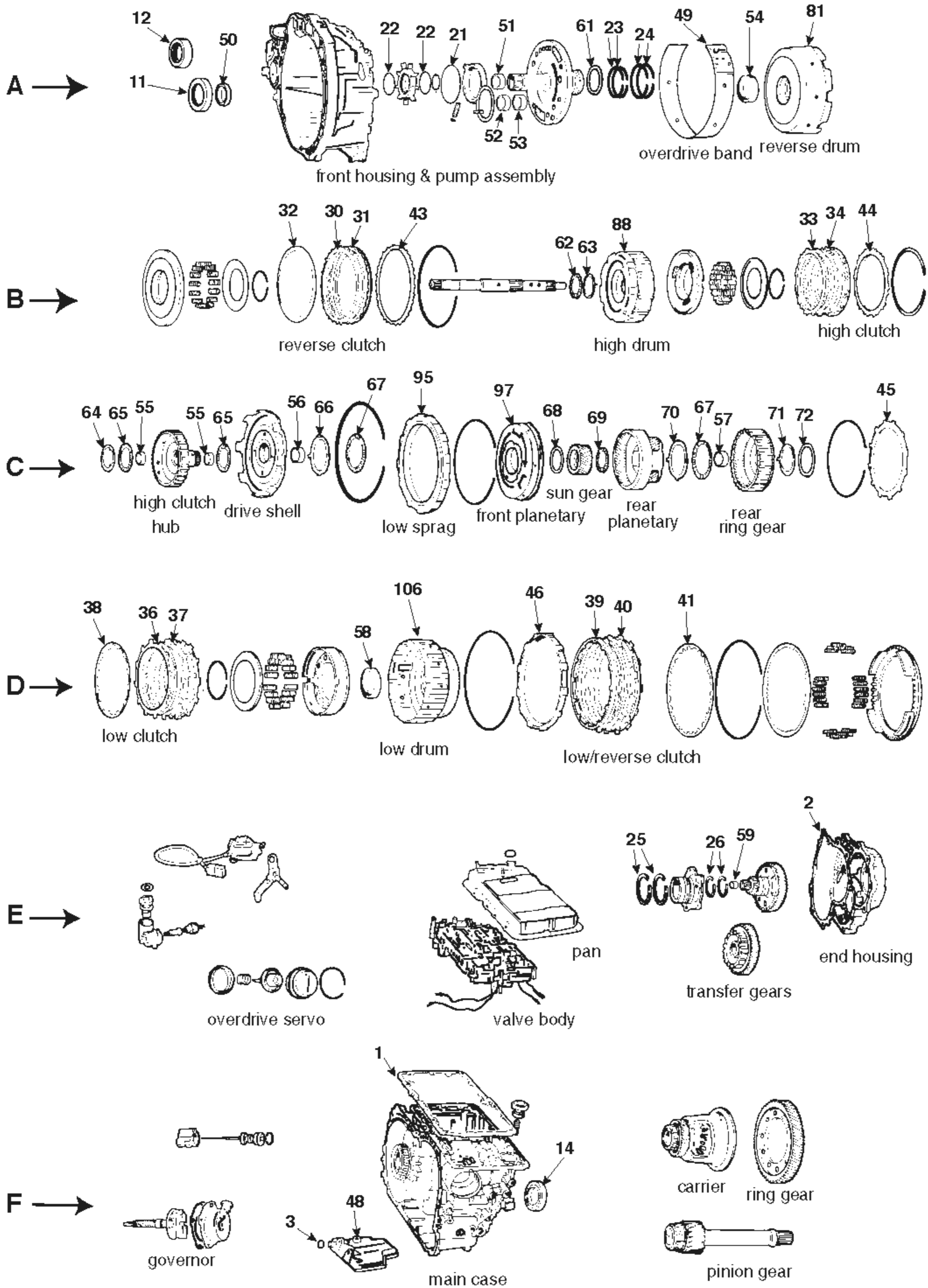
RL3F01A•RN3F01A

RL•RN3F01A

ILL	DESCRIPTION	QTY	YEAR	REFERENCE #	PART #
PRESSURE PLATES (CONTINUED)					
C33	Pressure plate .142" low/reverse clutch	sel	81-92	31667-01X00	64717-R
C33	Pressure plate .150" low/reverse clutch	sel	81-92	31667-01X01	64717A-R
C33	Pressure plate .157" low/reverse clutch	sel	81-92	31667-01X02	64717B-R
C33	Pressure plate .165" low/reverse clutch	sel	81-92	31667-01X03	64717C-R
C33	Pressure plate .173" low/reverse clutch	sel	81-92	31667-01X04	64717D-R
C33	Pressure plate .197" low/reverse clutch	sel	81-92	31667-01X07	64717E-R
FILTERS					
K9	Kit, fliter Sentra 4WD 1989	1	81-86	AE	FK64800
K9	Kit, fliter Sentra 4WD 1989	1	87-92	AE	DK64800
K9	Kit, fliter	1	87-92	AE	FK64800A
K9	Kit, fliter	1	81-86	AE	DK64800A
F37	Filter, oil-shallow Sentra 4WD 1989	1	87-92	31728-01X09	64800
F37	Filter, oil-deep	1	87-92	31728-01X01	64800A
BANDS					
C41	Band, brake		81-92	31630-01X00	64700
BUSHINGS					
K13	Kit, bushing RL/N3F01A	1	81-92	AE	K64901
A50	Bushing sun gear	2	81-92	31462-01X00	64007
C51	Bushing direct clutch drum	1	81-90	31483-01X00	64006
C51	Bushing direct clutch drum (not in kits)	1	91-92	31405-01X00	64006A
D52	Bushing pump support-front	1	81-92	31199-01X00	64001
n/i	Bushing pump support-rear	1	81-92	31196-01X02	64002
D54	Bushing pump gear	1	81-92	31349-01X00	64003
F55	Bushing stator support (front)	1	81-92	31343-01X00	64004
n/i	Bushing converter	1	81-92	31141-01X01	64005
WASHERS/BEARINGS/RACES/SHIMS					
K14	Kit, thrust washer/thrust bearings 7 washers and 3 thrust bearings	1	81-92	n/a	K64906
K14	Kit, thrust washer 7 washers	1	81-92	n/a	K64907
B61	Washer, thrust forward clutch drum to ring gear	1	81-92	31508-01X02	64402
D62	Washer, thrust direct clutch drum to stator	1	81-92	31508-01X00	64401
A63	Race, thrust rear planetary front/back	2	81-92	31436-01X01	64505-R
A64	Washer, thrust rear planetary front/back	2	81-92	31437-01X01	64504-R
B65	Bearing, thrust front planetary to sun shell	1	81-92	31435-01X00	64502-R
B66	Race, thrust front planetary to sun shell	1	81-92	31434-01X01	64503-R
B67	Race, thrust front planetary to ring gear	1	81-92	31439-01X00	64501-R
B68	Bearing, thrust front planetary to ring gear	1	81-92	31438-X0100	64500-R
B69	Race, thrust forward drum to stator	1	81-92	31556-01X00	64507-R
B70	Bearing, thrust forward drum to stator	2	81-92	31555-X0100	64506-R
PUMP PARTS AND PUMPS					
D75	Pump, front assembly RL3F01A	1	81-92	31340-01X01	64910-R
HARD PARTS					
A78	Ring gear, rear planetary RL3F01A	1	81-92	31450-01X02	64949-R
A81	Planetary, rear RL3F01A	1	81-92	31440-01X02	64947-R
A82	Shell, sun gear RL3F01A	1	81-92	31465-01X01	64926-R
A83	Sun gear RL3F01A	1	81-92	31460-01X03	64927-R
B84	Planetary, front RL3F01A	1	81-92	31420-01X02	64930-R
B85	Ring gear, front planetary RL3F01A	1	81-92	31430-01X01	64948-R
B90	Drum, forward clutch RL3F01A	1	81-92	31541-01X63	64925-R
C93	Drum, direct clutch w/o turbo 2 clutch	1	81-92	31511-01X01	64928-R
C93	Drum, direct clutch w/turbo 3 clutch	1	81-92	31511-01X02	64928A-R
C93	Drum, direct clutch 3 clutch w/ 4 3/8" od piston	1	81-92	31511-01X03	64928B-R
D96	Piston, low/reverse clutch bonded rubber	1	81-92	31644-01X04	64915
F101	Gear, governor w/pin 19T 1.280"	1	87-92	31894-01X01	64921

ILL	DESCRIPTION	QTY	YEAR	REFERENCE #	PART #
HARD PARTS (CONTINUED)					
F101	Gear, governor w/pin 19T 1.825"	1	81-92	31894-01X02	64923
n/i	Stabilizer, left and right axle RL3F01A	1	81-92	93125LRB	64731S
SPRAGS					
A80	Sprag, one way roller clutch RL3F01A	1	81-92	31473-01X01	64918
NOTES					

RL•RN3F01A



RE4F02A/RL4F02A/RN4F02A
68000

ILL	DESCRIPTION		QTY	YEAR	REFERENCE #	PART #
TECHNICAL MANUALS						
K53	Tech manual RL4F02A dis/assembly	diagnosis/troubleshooting	1	85-90	83-RL4F02ATM	010-418
K53	Tech manual RE4F02A dis/assembly	diagnosis/troubleshooting	1	89-94	83-RE4F02ATM	010-449
REBUILDER KITS						
K4	Master deluxe rebuild kit	RL4F02 A(Maxima)	1	85-88	AE	K6800-R
K4	Master deluxe rebuild kit	RE4F02A (Maxima)	1	89-94	AE	K6800A-R
K4	Master deluxe rebuild kit	RL4F02A (Pulsar)	1	88-90	AE	K6800B-R
K4	Master deluxe rebuild kit	RL4F02A (Axxess)	1	90-90	AE	K6800D-R
K4	Master deluxe rebuild kit	RL4F02A (Stanza)	1	86-88	AE	K6800E-R
K4	Master deluxe rebuild kit	RL4F02A (Stanza)	1	88-89	AE	K6800F-R
K4	Master deluxe rebuild kit	RE4F02A (Stanza)	1	90-92	AE	K6800G-R
K5	Master kit w/steels	RL4F02A (Maxima)	1	85-88	AE	K6800
K5	Master kit w/steels	RE4F02A (Maxima)	1	89-94	AE	K6800A
K5	Master kit w/steels	RL4F02A (Pulsar)	1	88-90	AE	K6800B
K5	Master kit w/steels	RL4F02A (Axxess)	1	90-90	AE	K6800D
K5	Master kit w/steels	RL4F02A (Stanza)	1	86-88	AE	K6800E
K5	Master kit w/steels	RL4F02A (Stanza)	1	88-89	AE	K6800F
K5	Master kit w/steels	RE4F02A (Stanza)	1	90-92	AE	K6800G
K6	Master kit w/o steels	RL4F02A (Stanza/Maxima)	1	85-89	AE	K6800-LS
K6	Master kit w/o steels	RE4F02A (Maxima)	1	89-94	AE	K6800A-LS
K6	Master kit w/o steels	RL4F02A (Pulsar)	1	87-90	AE	K6800B-LS
K6	Master kit w/o steels	RL4F02A (Axxess)	1	90-90	AE	K6800D-LS
K6	Master kit w/o steels	RL4F02A (Stanza)	1	85-89	AE	K6800E-LS
K6	Master kit w/o steels	RE4F02A (Stanza)	1	90-92	AE	K6800G-LS
K7	O/H gasket set w/seals-rings	RL4F02A (w/out electronic control)	1	85-89	AE	K68900
K7	O/H gasket set w/seals-rings	RE4F02A (w/electronic control)	1	89-94	AE	K68900A
K7	O/H gasket set w/seals-rings	RL4F02A (Axxess/Pintara)	1	90-90	AE	K68900D
K11	Gasket and seal kit	RL4F02A (w/out electronic control)	1	85-89	AE	K68900-1
K11	Gasket and seal kit	RE4F02A (w/electronic control)	1	89-94	AE	K68900A-1
VALVE BODY KITS						
K15	Shift Kit® forward burn up	soft 1/2-2/3 etc.	1	85-06	SK® RE4F02A	K68908
GASKETS AND RUBBER COMPONENTS						
F1	Gasket, control valve cover top	neoprene/cork	1	85-94	31396-21X01	13818X
F1	Gasket, Control valve cover top	Duraprene®	1	85-94	31396-21X01F	13818D
E2	Gasket, side cover	RL4F02A/RE4F02A	1	85-94	31397-21X00	13819
F3	O'ring	RL4F02A/RE4F02A	1	85-94	31729-21X01	13822
n/i	Gasket, converter housing	RL4F02A/RE4F02A	1	85-94	31309-21X09	13821
n/i	Kit, valve body gaskets	RL4F02A	1	85-89	n/a	13015
n/i	Kit, valve body gaskets	RE4F02A/V	1	89-94	n/a	13016
METAL CLAD SEALS						
A11	Seal, metal clad	front	1	85-94	31344-21X00	68200
A12	Seal, metal clad	right axle	1	85-94	38342-03E01	68201
F14	Seal, metal clad	left axle (except Maxima)	1	85-92	38342-21X00	68204
F14	Seal, metal clad	left axle (Maxima)	1	85-94	38342-21X01	68202
F14	Seal, metal clad	left axle (Stanza w/viscous)	1	90-92	38342-21X03	90203
n/i	Seal, metal clad throttle shaft	throttle shaft	1	85-90	n/a	68203
n/i	Seal, metal clad 16x10x4mm	speedometer	1	85-92	32709-14600	64205
SEALING RINGS						
K10	Kit, sealing ring	RL4F02A/RE4F02A	1	85-94	AE	K68300
A21	Sealing ring	pump slide teflon	1	85-94	31366-21X04	68301T
A22	Sealing ring	pump rotor (not in kits)	2	85-94	31358-21X01	68308
A23	Sealing ring	stator to reverse clutch	2	85-94	31361-21X00	68307
A24	Sealing ring	statot to high clutch	2	85-94	31558-21X00	68302
E25	Sealing ring	bearing retainer to low clutch	2	85-94	31313-21X01	68303

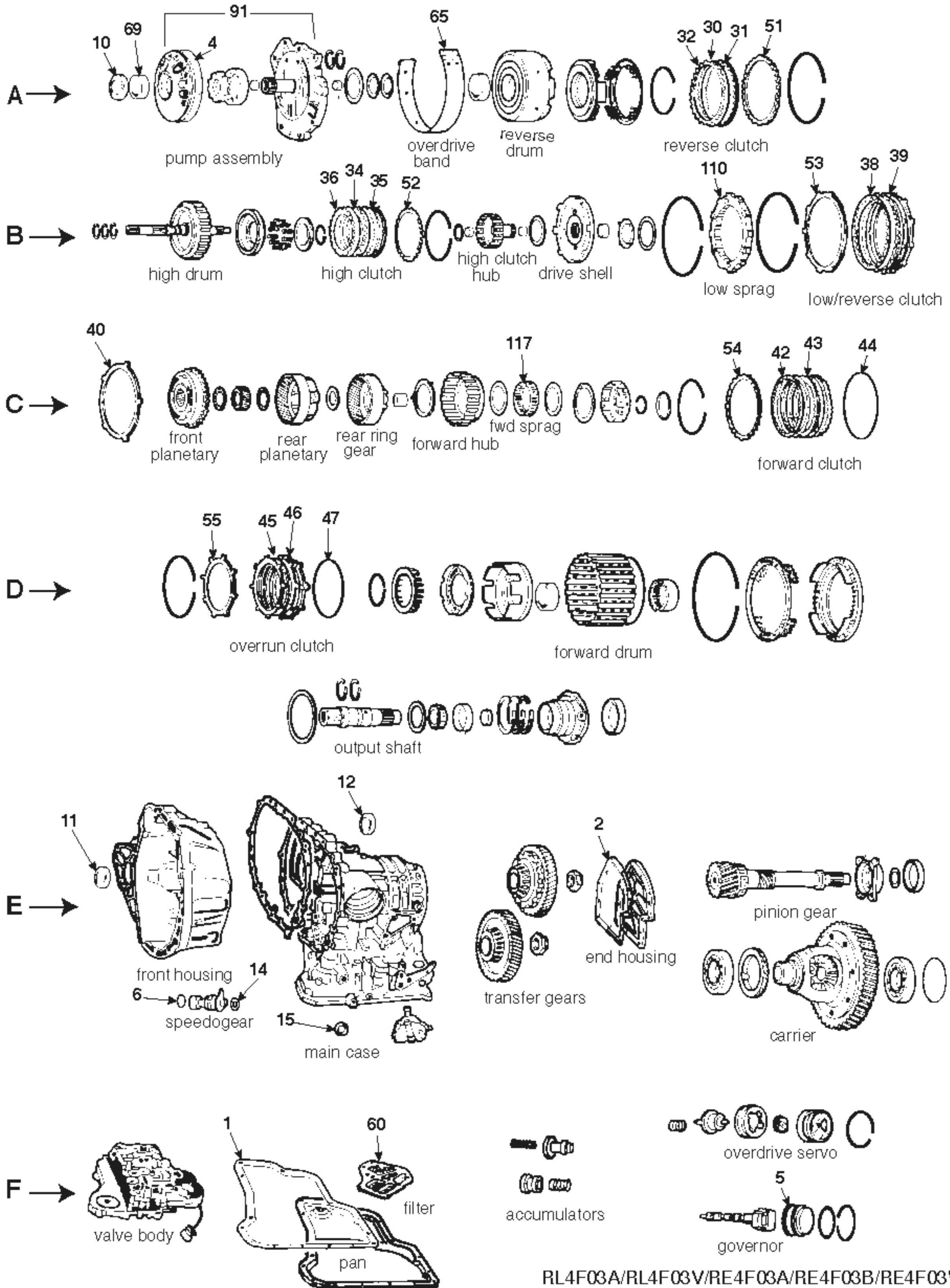
RE•RL•RN4F02A

RE4F02A•RL4F02A•RN4F02A

RE•RL•RN4F02A

ILL	DESCRIPTION	QTY	YEAR	REFERENCE #	PART #
SEALING RINGS (CONTINUED)					
E26	Sealing ring output shaft to retainer	2	85-94	31487-21X00	68304
CLUTCH PLATES					
B30	Friction .079" 5.880" od 8T reverse clutch (Maxima)	2	85-94	31532-21X01	68100
B30	Friction .079" 5.880" od 34T reverse clutch (Pulsar/Stanza/Axxess)	2	88-92	31532-41X10	68100A
B31	Steel .079" 5.360" id 30T reverse clutch (Maxima/Axxess)	2	85-94	31536-21X01	68101
B31	Steel .079" 5.356" id 30T reverse clutch (Pulsar/Stanza)	2	88-92	31536-21X00	78136
B32	Steel, dished (cushion) reverse clutch	1	85-94	31529-21X00	68111-R
B33	Friction .064" 5.035" od 30T (narrow teeth) high clutch (Maxima) (not in kits)	4	85-85	31562-21X01	68103
B33	Friction .064" 5.035" od 30T (wide teeth) high clutch (Stanza/Maxima)	4	86-89	31532-21X10	68103B
B33	Friction .079" 5.035" od 30T (narrow teeth) high clutch (not in kits)	3	85-85	31562-21X00	68103C
B33	Friction .079" 5.041" od 30T (wide teeth) high clutch (Stanza)	3	85-88	31562-21X03	68103A
B33	Friction .063" 5.233" od 30T high clutch (Pulsar/Stanza/Axxess)	4	87-92	31532-21X05	78106
B34	Steel .118" 4.412" id 24T high clutch (Maxima) (not in kit)	3	85-85	31566-21X01	68102A
B34	Steel .108" 4.412" id 24T high clutch (Maxima/Stanza)	3/4	85-89	31566-21X02	68102
B34	Steel. 067" 4.412" id 24T high clutch (Maxima only)	7	85-88	31566-21X03	68102B
B34	Steel .079" 4.416" id 24T high clutch (Maxima/Stanza)	1/5	87-88	31566-21X00	68102C
B34	Steel .055" 4.416" id 24T (not in kit) high clutch (Maxima hydraulic)	7	88-88	31536-21X03	68102F
B34	Steel .055" 4.416" id 24T (not in kit) high clutch (Maxima electronic)	7	89-94	31536-21X03	68102F
B34	Steel .095" 4.416" id 27T high clutch (Axxess/Stanza)	4	90-92	31536-21X04	68102G
B34	Steel .067" 4.414" id 27T high clutch (Axxess/Stanza)	ar	90-92	31536-41X21	78117
B34	Steel .079" 4.414" id 27T high clutch (Pulsar)	1	88-90	31536-41X03	78107D
B34	Steel .118" 4.414" id 27T high clutch (Pulsar)	3	88-90	31536-41X02	78107C
n/i	Steel, dished (cushion) high clutch	1	85-94	AE	68112-R
D36	Friction .079" 5.667" od 30T low clutch	4/6	85-94	31532-21X00	68106
D37	Steel .079" 4.851" id 12T low clutch	5/7	85-94	31596-21X00	68107
D38	Steel, dished (cushion) low clutch	1	85-94	AE	68115-R
D39	Friction .079" 7.165" od 12T low/reverse clutch	5/7	85-94	31662-21X01	68104
D40	Steel .079" 6.498" id 12T low/reverse clutch	5/7	85-94	31666-23X00	68105
D41	Steel, dished (cushion) low/reverse clutch	1	85-94	31665-21X04	68117-R
PRESSURE PLATES					
B43	Pressure plate (V teeth) reverse clutch	sel	85-94	31537-21X10	68717-R
B43	Pressure plate (V teeth) reverse clutch	sel	85-94	31537-21X10	68717A-R
B43	Pressure plate (V teeth) reverse clutch	sel	85-94	31537-21X10	68717B-R
B43	Pressure plate .189" (square teeth) reverse clutch	sel	85-94	31537-51X00	78717-R
B43	Pressure plate .197" (square teeth) reverse clutch	sel	85-94	31537-51X00	78717A-R
B43	Pressure plate .209" (square teeth) reverse clutch	sel	85-94	31537-51X00	78717B-R
B44	Pressure plate .150" 24T high clutch	sel	85-94	31537-01X01	64716B-R
B44	Pressure plate .157" 24T high clutch	sel	85-94	31537-01X02	64716C-R
B44	Pressure plate .165" 24T high clutch	sel	85-94	31537-01X03	64716D-R
B44	Pressure plate 4.414" id 27T high clutch	sel	85-94	31537-41X61	78719-R
C45	Pressure plate low clutch	sel	85-94	31597-21X05	68718-R
C45	Pressure plate low clutch	sel	85-94	31597-21X05	68718A-R
C45	Pressure plate low clutch	sel	85-94	31597-21X05	68718B-R
C45	Pressure plate low clutch	sel	85-94	31597-21X10	68719-R
C45	Pressure plate low clutch	sel	85-94	31597-21X10	68719A-R
C45	Pressure plate low clutch	sel	85-94	31597-21X10	68719B-R
D46	Pressure plate low/reverse clutch	sel	85-94	31667-23X00	68714-R
D46	Pressure plate low/reverse clutch	sel	85-94	31667-23X00	68714B-R
D46	Pressure plate low/reverse clutch	sel	85-94	31667-23X00	68714C-R
D46	Pressure plate low/reverse clutch	sel	85-94	31667-23X00	68714D-R
D46	Pressure plate low/reverse clutch (Stanza)	sel	86-92	31667-21X09	68714G-R

ILL	DESCRIPTION		QTY	YEAR	REFERENCE #	PART #
FILTERS						
F48	Filter, oil	must disassemble to install	1	85-94	31728-21X00	68800
BANDS						
A49	Band, intermediate brake 1.500" wide	flex	1	85-94	31630-21X00	68700
BUSHINGS						
K13	Kit, bushing	RL4F02A/RE4F02A	1	85-94	AE	K68901
A50	Bushing 2.130" od	front housing	1	85-94	31343-21X01	68001
A51	Bushing .950" od (2 lube notches)	stator support (front-pump cover)	1	85-94	31354-21X00	68002
A51	Bushing 1.045" od	stator support (front pump cover)	1	85-94	n/a	68005
A52	Bushing (1 notch)	stator support (center pump cover)	1	85-94	31352-21X01	68003
A53	Bushing	stator support (rear pump cover)	1	85-94	31363-21X01	68004
A54	Bushing	reverse clutch drum	1	85-94	31513-21X00	78009
C55	Bushing	high clutch hub	2	85-94	31548-21X01	68006
C56	Bushing	sun gear	1	85-94	31462-21X04	68007
C57	Bushing	rear internal gear	1	85-94	31453-21X00	68008
D58	Bushing	low clutch hub	1	85-94	31579-21X00	68009
E59	Bushing	output shaft	1	85-94	31483-21X01	68010
WASHERS/BEARINGS/RACES/SHIMS						
K14	Kit, thrust washer	RL4F02A	1	85-94	WASHER KIT	K68907
A61	Washer, thrust .035"	stator support to reverse drum	sel	85-94	31528-21X01	68400-R
A61	Washer, thrust .040"	stator support to reverse drum	sel	85-94	31528-21X02	68400C-R
A61	Washer, thrust .051"	stator support to reverse drum	sel	85-94	31528-21X03	68400A-R
A61	Washer, thrust .067"	stator support to reverse drum	sel	85-94	31528-21X05	68400B-R
B62	Bearing, thrust	stator to high clutch drum	1	85-94	31407-21X00	68412-R
B63	Race, thrust	stator to high clutch drum	1	85-94	31429-21X01	68404-R
C64	Race, thrust	high clutch drum to hub	1	85-94	AE	68405-R
C65	Bearing, thrust	high clutch housing/high hub	2	85-94	31407-01X00	68406-R
C66	Race, thrust	sun shell to front planetary	1	85-94	31456-21X00	68407-R
C67	Bearing, thrust	sun shell to front planetary	2	85-94	AE	68408-R
C68	Bearing, thrust	front planetary to sun gear	1	85-94	31407-01X00	68406-R
C69	Bearing, thrust	rear sun gear to rear planetary	1	85-94	31402-21X00	68412-R
C70	Race, thrust	rear planetary to ring gear	1	85-94	31456-21X00	68407-R
C71	Race, thrust	rear ring gear to support	1	85-94	31464-21X00	68409-R
C72	Bearing, thrust	rear ring gear to support	1	85-94	31455-21X00	68410-R
HARD PARTS						
A81	Drum, reverse clutch	cast iron	1	85-94	31511-21X02	68928-R
A81	Drum, reverse clutch	steel	1	85-94	31511-21X00	68928A-R
B88	Drum, high clutch	24T steels	1	87-94	31541-21X02	68925-R
B88	Drum, high clutch	27T steels	1	85-94	31541-21X05	68925A-R
C97	Carrier, front planetary	Maxima-half moon cuts	1	85-94	31420-21X04	68930-R
D106	Drum, low clutch	4 clutch	1	85-94	31571-21X05	68920-R
D106	Drum, low clutch	5 clutch	1	85-94	31571-21X04	68921-R
D106	Drum, low clutch	6 clutch	1	85-94	31571-21X03	68922-R
n/i	Planetary set	w/o half moon cut outs in front carrier	1	85-94	AE	K68950-R
n/i	Planetary set	w/half moon cut outs in front carrier	1	85-94	AE	K68950A-R
ELECTRICAL COMPONENTS						
n/i	Solenoid, set	w/o lock-up solenoid	1	85-94	31940-27X66	5A-490
n/i	Solenoid	RE4F02A (lock up)	1	89-94	31940-27X63	5A-494
SPRAGS						
C95	Sprag, low one way clutch	RL4F02A/RE4F02A	1	85-94	31473-21X00	68918
NOTES						



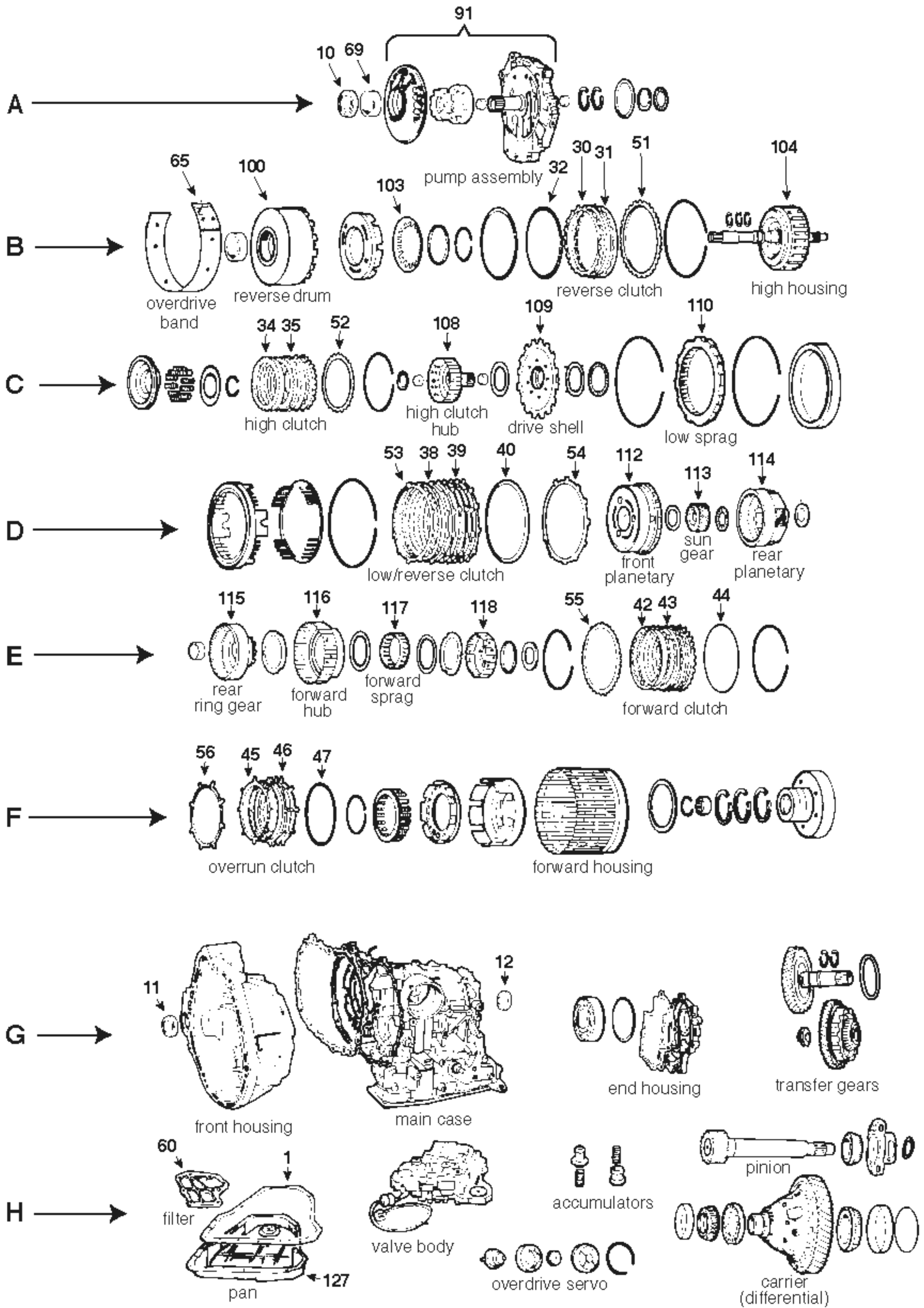
RL4F03A/RL4F03V/RE4F03A/RE4F03B/RE4F03W
91000

ILL	DESCRIPTION	QTY	YEAR	REFERENCE #	PART #
TECHNICAL MANUALS					
K53	Tech manual RL4F03A dis/assembly	1	91-06	83-RL4F03AVTM	010-453
REBUILDER KITS					
K4	Master deluxe rebuild kit	1	91-06	AE	K9100-R
K4	Master deluxe rebuild kit	1	91-94	AE	K9100A-R
K4	Master deluxe rebuild kit	1	95-06	AE	K9100B-R
K5	Master kit w/steels	1	91-06	AE	K9100
K5	Master kit w/steels	1	91-94	AE	K9100A
K5	Master kit w/steels	1	95-06	AE	K9100B
K6	Master kit w/o steels	1	91-06	AE	K9100-LS
K6	Master kit w/o steels	1	91-94	AE	K9100A-LS
K6	Master kit w/o steels	1	95-06	AE	K9100B-LS
K7	O/H gasket set w/seals-rings	1	91-06	AE	K91900
VALVE BODY KITS					
K15	Shift Kit® RL4F03A w/cable	1	93-99	SK® RL4F03A	K91908
K15	Shift Kit® RE4F03A w/o cable	1	00-06	SK® RE4F03A	K91908A
K15	Shift Kit® RE4F03A	1	91-99	SK® RE4F03B	K91908B
K15	Reprogramming Kit™ RL4F03A w/TV cable	1	93-99	RL4F03A-HD2	RL4F03A-HD2
K15	Reprogramming Kit™ RE4F03A w/o TV cable	1	00-06	RE4F03A-HD2	RE4F03A-HD2
K15	Reprogramming Kit™ RE4F03A	1	00-06	RE4F03B-HD2	RE4F03B-HD2
GASKETS AND RUBBER COMPONENTS					
F1	Gasket, pan	1	91-06	31397-31X26	13183X
F1	Gasket, pan	1	91-06	31397-31X26	13183D
E2	Gasket, side cover	1	91-06	31398-31X02	23099
A4	O'ring, front pump	1	91-06	31526-31X00	13184
F5	O'ring, governor cover	1	91-06	31526-31X10	23054
E6	O'ring, speedometer housing	1	91-06	32710-M8000	23055
n/i	O'ring	1	91-06	31084-M7500	23027
n/i	O'ring throttle cable	1	91-06	31052-01X00	23026
METAL CLAD SEALS					
A10	Seal, metal clad	1	91-06	31375-31X00	81200
E11	Seal, metal clad	2	91-06	38342-31X00	91201
E11	Seal, metal clad	1	91-06	38342-31X01	91202
E12	Seal, metal clad	1	91-06	38342-31X00	91201
E12	Seal, metal clad axle-left	1	91-06	38342-31X02	91204
E14	Seal, metal clad	1	91-06	32709-58S00	91206
E15	Seal, metal clad	1	91-06	31375-31X01	90205
SEALING RINGS					
K10	Kit, sealing ring	1	91-06	AE	K91300
CLUTCH PLATES					
A30	Friction .077" 5.14 od 18T	2	91-06	31532-31X00	91100
A31	Steel .079" 4.65" id 30T	2	91-06	31536-31X05	91101
A32	Steel, dished	2	91-06	31535-31X08	91114-R
B34	Friction .063" 4.096" od 20T	4	91-06	31532-31X08	91102
B34	Friction .079" 4.096" od 20T	4	91-06	31532-31X01	91102A
B35	Steel .078" 3.425" id 18T	6	93-06	31536-31X01	91103
B35	Steel .059" 3.425" id 18T	5	91-06	31536-31X07	91103A
B36	Steel, dished	1	91-06	31536-31X07	91115-R
B38	Friction .077" 5.895" od 30T	5	91-94	31532-31X04	91108
B38	Friction .078" 5.940" od 30T	5	95-06	31532-31X10	91108A
B39	Steel .079" 5.47" id 10T	5	91-06	31666-31X01	91109
C40	Steel, dished	2	91-06	31535-31X09	91118-R
C42	Friction .071" 4.976" od 30T	5	91-06	31532-31X02	91104
C43	Steel .079" 4.262" id 30T	5	91-06	31536-31X02	91105

RL4F03A•RL4F03V•RE4F03A•RE4F03B•RE4F03W

RL4F03A•V•RE4F03A•B•W

ILL	DESCRIPTION	QTY	YEAR	REFERENCE #	PART #
CLUTCH PLATES (CONTINUED)					
C44	Steel, dished forward clutch (1.6L/2.0L)	1	91-06	31535-31X02	91116-R
C45	Friction .063" 4.608" od 18T overrun clutch (1.6L/2.0L)	3	91-06	31532-31X03	91106
C46	Steel .079" 4.138" id 6T overrun clutch (1.6L/2.0L)	5	91-06	31536-31X03	91107
C47	Steel, dished overrun clutch (1.6L/2.0L)	1	91-06	31535-31X03	91117-R
PRESSURE PLATES					
A51	Pressure plate 4.4mm reverse clutch	sel	91-06	31537-31X00	91715-R
A51	Pressure plate 4.6mm reverse clutch	sel	91-06	31537-31X01	91715A-R
A51	Pressure plate 4.8mm reverse clutch	sel	91-06	31537-31X02	91715B-R
A51	Pressure plate 5.0mm reverse clutch	sel	91-06	31537-31X03	91715C-R
A51	Pressure plate 5.2mm reverse clutch	sel	91-06	31537-31X04	91715D-R
A52	Pressure plate 3.6mm high clutch	sel	91-06	31537-31X10	91716-R
A52	Pressure plate 3.8mm high clutch	sel	91-06	31537-31X11	91716A-R
A52	Pressure plate 4.0mm high clutch	sel	91-06	31537-31X12	91716B-R
A52	Pressure plate 4.2mm high clutch	sel	91-06	31537-31X13	91716C-R
A52	Pressure plate 4.4mm high clutch	sel	91-06	31537-31X14	91716D-R
A52	Pressure plate 4.6mm high clutch	sel	91-06	31537-31X15	91716E-R
A52	Pressure plate 4.8mm high clutch	sel	91-06	31537-31X16	91716F-R
A52	Pressure plate 5.0mm high clutch	sel	91-06	31537-31X17	91716G-R
B53	Pressure plate 3.6mm low/reverse clutch	sel	91-06	31667-31X10	91717-R
B53	Pressure plate 3.8mm low/reverse clutch	sel	91-06	31667-31X11	91717A-R
B53	Pressure plate 4.0mm low/reverse clutch	sel	91-06	31667-31X12	91717B-R
B53	Pressure plate 4.2mm low/reverse clutch	sel	91-06	31667-31X13	91717C-R
B53	Pressure plate 4.4mm low/reverse clutch	sel	91-06	31667-31X14	91717D-R
B53	Pressure plate 4.6mm low/reverse clutch	sel	91-06	31667-31X15	91717E-R
C54	Pressure plate 3.6mm forward clutch	sel	91-06	31537-31X60	91720-R
C54	Pressure plate 3.8mm forward clutch	sel	91-06	31537-31X61	91720A-R
C54	Pressure plate 4.0mm forward clutch	sel	91-06	31537-31X62	91720B-R
C54	Pressure plate 4.2mm forward clutch	sel	91-06	31537-31X63	91720C-R
C54	Pressure plate 4.4mm forward clutch	sel	91-06	31537-31X64	91720D-R
C54	Pressure plate 4.6mm forward clutch	sel	91-06	31537-31X65	91720E-R
D55	Pressure plate 3.6mm overrun clutch	sel	91-06	31537-31X70	91718-R
D55	Pressure plate 3.8mm overrun clutch	sel	91-06	31537-31X71	91718A-R
D55	Pressure plate 4.0mm overrun clutch	sel	91-06	31537-31X72	91718B-R
D55	Pressure plate 4.2mm overrun clutch	sel	91-06	31537-31X73	91718C-R
D55	Pressure plate 4.4mm overrun clutch	sel	91-06	31537-31X74	91718D-R
FILTERS					
K9	Kit, filter neoprene/cork	1	91-06	AE	FK91800
K9	Kit, filter Duraprene®	1	91-06	AE	DK91800
F60	Filter, oil RL4F03A/RE4F03A	1	91-06	31728-31X01	91800
BANDS					
A65	Band, brake w/o tab RL4F03A/RE4F03A	1	91-00	31630-31X01	91700
A65	Band, brake w/tab RL4F03A/RE4F03A	1	00-06	31630-31X03	91700A
BUSHINGS					
K13	Kit, bushing RL4F03A/RE4F03A	1	91-06	AE	K91901
A69	Bushing pump body	1	91-06	31405-31X13	91005
WASHERS/BEARINGS/RACES/SHIMS					
K14	Kit, thrust washer, pump selective 1 each	1	91-06	AE	K91400
n/i	Bearing, ball .708" 1.565" id 3.148" od differential housing	2	91-06	E1FZ-4221-A	6208N
PUMP PARTS AND PUMPS					
A91	Pump assembly RL4F03A/RE4F03A	1	91-06	AE	91200-R
HARD PARTS					
n/i	Gear, governor RL4F03A	1	91-94	n/a	91411



RE4F04A/V/4F20E
90000

ILL	DESCRIPTION		QTY	YEAR	REFERENCE #	PART #
TECHNICAL MANUALS						
K53	Tech manual REF04A dis/assembly	diagnosis/troubleshooting	1	93-06	83-RE4F04ATM	010-462
K53	Tech manual 4F20E dis/assembly	diagnosis/troubleshooting	1	92-06	83-4F20ETM	010-460
REBUILDER KITS						
K4	Master deluxe rebuild kit	4F20E/RE4F04A	1	92-99	AE	K9000-R
K5	Master kit w/steels	4F20E/RE4F04A	1	92-99	AE	K9000
K5	Master kit w/steels w/pistons	RE4F04B	1	00-06	105903B	K9000B
K5	Master kit w/steels w/o pistons	RE4F04B	1	00-06	105903BX	K9000C
K6	Master kit w/o steels	4F20E/RE4F04A	1	92-99	AE	K9000-LS
K6	Master kit w/o steels w/pistons	RE4F04B	1	00-06	105903BLS	K9000B-LS
K6	Master kit w/o steels w/o pistons	RE4F04B	1	00-06	105903BLS	K9000C-LS
K7	O/H gasket set w/seals-rings w/o pistons	4F20E/RE4F04A/RE4F04B	1	92-06	AE	K90900
K7	O/H gasket set w/seals-rings w/pistons	RE4F04B	1	00-06	105802B	K90900B
VALVE BODY KITS						
K15	Shift Kit® 4F20E and (92-99) RE4F04A	improves shifts and high temp rings	1	00-06	SK® RE4F04A	K90908
K15	Shift Kit® RE4F04A	improves shifts and high temp rings	1	92-99	SK® RE4F04B	K90908A
K15	Reprogramming Kit™	trick valve, hot rod street show off	1	00-06	RE4F04A-HD2	RE4F04A-HD2
K15	Reprogramming Kit™	trick valve, hot rod street show off	1	92-06	RE4F04B-HD2	RE4F04B-HD2
GASKETS AND RUBBER COMPONENTS						
H1	Gasket, oil pan	neoprene/cork	1	92-06	31397-80X01	13184X
H1	Gasket, oil pan	Duraprene®	1	92-06	31397-80X01	13184D
n/i	Gasket, pump to case	4F20E/RE4F04A/RE4F04B	1	92-06	31366-80X01	23079
n/i	O'ring	pump to case	1	92-06	35126-80X00	23086
n/i	O'ring	turbine shaft	1	92-06	31526-80X01	23085
n/i	Seal	valve body to case	4	92-97	31528-31X06	23158
n/i	Seal	reverse feed	1	98-06	31374-80X00	23159
n/i	Seal	reverse feed	1	92-06	31374-80X01	23159A
METAL CLAD SEALS						
A10	Seal, metal clad	front	1	92-06	31375-80X00	90200
G11	Seal, metal clad	right axle	1	92-06	38342-03E01	68201
G12	Seal, metal clad	left axle	1	95-06	38342-03E00	90202
G12	Seal, metal clad	left axle (w/viscous)	1	92-06	38342-80X00	90203
n/i	Seal, metal clad 12x22x7mm	manual lever shaft	1	92-06	31375-31X01	46202
SEALING RINGS						
K10	Kit, sealing ring	4F20E/RE4F04A/RE4F04B	1	92-06	AE	K90300
CLUTCH PLATES						
B30	Friction .063" 5.480" od 28T	reverse clutch	2	92-06	F3X4-7B164-C	90100
B30	Friction .063" 5.800" od 28T	reverse clutch	2	00-06	31532-89X00	90100A
B31	Steel .071" 4.957" id 30T	reverse clutch	2	92-06	F6X2-7B442-DA	90101
B31	Steel .071" 4.957" id 30T	reverse clutch	2	00-06	31536-89X00	90101A
B32	Steel, dished	reverse clutch	1	92-06	31535-80X05	90111-R
C34	Friction .063" 4.415" od 21T (not in kit)	high clutch	4	92-94	F3XY-7B164-B	90102
C34	Friction .063" 4.415" od 24T	high clutch	4	94-06	F4XY-7B164-AA	90102A
C35	Steel .055" 3.615" id 28T	high clutch	6	92-06	F6XY-7B442-BA	90103
C35	Steel .079" 4.686" id 28T	high clutch	1	92-06	F6XY-7B442-AA	90103A
D38	Friction .071" 6.455" od 32T	low/reverse clutch	6/7	92-06	F3XY-7B164-E	90108
D39	Steel .071" 5.905" id 10T	low/reverse clutch	6/8	92-06	F3XY-7B442-F	90109
D40	Steel, dished .090"	low/reverse clutch	1	92-06	31665-80X00	90119-R
E42	Friction .063" 5.425" od 32T	forward clutch	5	92-06	3XY-7B164-A	90104
E43	Steel .071" 4.925" id 32T	forward clutch	5	92-06	6XY-7B442-CA	90105
E44	Steel, dished	forward clutch	1	92-06	31535-80X02	90115-R
F45	Friction .063" 4.940" od 20T	overrun clutch	3	92-06	F3XY-7B164-D	90106
F46	Steel .063" 4.450" id 8T	overrun clutch	5	92-06	3XY-7B442-B	90107
F47	Steel, dished	overrun clutch	1	92-06	31535-80X06	90117-R

RE4F04A•4F20E

RE4F04A•4F20E

ILL	DESCRIPTION	QTY	YEAR	REFERENCE #	PART #
PRESSURE PLATES					
B51	Pressure plate .265" reverse clutch (backing)	sel	92-06	31537-80X05	90711-R
B51	Pressure plate .270" reverse clutch (backing)	sel	92-06	31537-80X06	90711A-R
B51	Pressure plate .280" reverse clutch (backing)	sel	92-06	31537-80X07	90711B-R
C52	Pressure plate .126" high clutch (backing)	sel	92-06	31537-80X32	90713-R
C52	Pressure plate .134" high clutch (backing)	sel	92-06	31537-80X34	90713A-R
C52	Pressure plate .142" high clutch (backing)	sel	92-06	31537-80X36	90713B-R
D53	Pressure plate .220" low/reverse clutch (backing)	sel	92-06	31667-80X54	90719-R
D53	Pressure plate .360" low/reverse clutch (backing)	sel	92-06	31667-80X90	90719A-R
D54	Pressure plate .092" low/reverse clutch (apply)	sel	92-06	31667-80X02	90720-R
D54	Pressure plate .100" low/reverse clutch (apply)	sel	92-06	31667-80X03	90720A-R
D54	Pressure plate .108" low/reverse clutch (apply)	sel	92-06	31667-80X04	90720B-R
D54	Pressure plate .116" low/reverse clutch (apply)	sel	92-06	31667-80X05	90720C-R
E55	Pressure plate .130" forward clutch (apply and backing)	sel	92-06	31537-80X70	90715-R
E55	Pressure plate .140" forward clutch (apply and backing)	sel	92-06	31537-80X71	90715A-R
E55	Pressure plate .150" forward clutch (apply and backing)	sel	92-06	31537-80X72	90715B-R
F56	Pressure plate .115" overrun clutch (backing)	sel	92-06	31537-80X65	90717-R
F56	Pressure plate .125" overrun clutch (backing)	sel	92-06	31537-80X66	90717A-R
F56	Pressure plate .135" overrun clutch (backing)	sel	92-06	31537-80X67	90717B-R
FILTERS					
K9	Kit, fliter neoprene/cork	1	92-06	AE	FK90800
K9	Kit, fliter Duraprene®	1	92-06	AE	DK90800
K9	Kit, fliter Altima (neoprene/cork)	1	02-06	AE	FK90800B
K9	Kit, fliter Altima (Duraprene®)	1	02-06	AE	DK90800B
H60	Filter RE4F04A	1	92-06	F3XY-7A098-A	90800
H60	Filter Altima	1	02-06	n/a	90800B
BANDS					
B65	Band, flex overdrive	1	92-06	31630-80X02	90700
BUSHINGS					
K13	Kit, bushing RE4F04A	1	92-06	AE	K90901
A69	Bushing pump body	1	92-06	31405-80X08	90005
PUMP PARTS AND PUMPS					
A91	Pump assembly 4F20E/RE4F04A	1	92-06	31340-80X01	90200-R
HARD PARTS					
B100	Drum, reverse clutch reverse clutch	1	92-06	31511-80X07	90928-R
B103	Spring, diaphragm reverse clutch	1	92-06	31522-80X05	90418-R
B104	Housing, high clutch w/shaft RE4F04A	1	92-06	31412-80X07	90925-R
C108	Hub, high clutch use w/late clutches	1	92-06	31550-80X03	90937-R
C109	Gear, sun w/shell front	1	92-06	31460-80X04	90926-R
D112	Planetary front	1	92-06	31420-80X12	90930-R
D113	Gear, sun rear	1	92-06	31469-80X02	90933-R
D114	Planetary rear	1	92-06	31440-80X05	90931-R
E115	Internal gear, rear ring 4F20E/RE4F04A	1	92-06	31450-80X02	90947-R
E116	Hub, forward clutch 4F20E/RE4F04A	1	92-06	31487-80X01	90939-R
E118	Hub, overrun clutch 4F20E/RE4F04A	1	92-06	31591-80X02	90952-R
H127	Pan 4F20E/RE4F04A	1	92-06	F3XY-7A194-A	90909
ELECTRICAL COMPONENTS					
n/i	Harness, external repair 4F20E	1	92-06	n/a	16A-450
n/i	Solenoid, set all except (Maxima)	1	92-06	31940-80X00	5A-491
n/i	Solenoid, set Maxima	1	00-06	31940-85X01	5A-491A
SPRAGS					
C110	Sprag low	1	92-06	31473-80X00	90503
E117	Sprag forward	1	92-06	31484-80X00	90502



**Add Some Muscle
to Your
Rebuilds ...**

**Muscle MT-10...
"The Original" Metal Treatment™**

- ✓ Lowers Operating Temperatures
- ✓ Frees Valve Body for Optimum Performance
- ✓ Eliminates Governor Hang-Ups Caused by Contamination & Surface Spiking
- ✓ Keeps Oil Passages, Orifices & Ball Checks Clean & Fully Operational
- ✓ Extends the life of the Transmission by Eliminating Premature Failure with Improved Lubrication
- ✓ Reduces Metal Particle Fallout & Debris Caused by Friction & Wear
- ✓ Removes Varnish Buildup
- ✓ Nearly Eliminates Lock-Up Chatter in the Torque Converter
- ✓ Insures Proper Shifts

**Muscle Products Corp.
"The Strength in Lubrication"®**

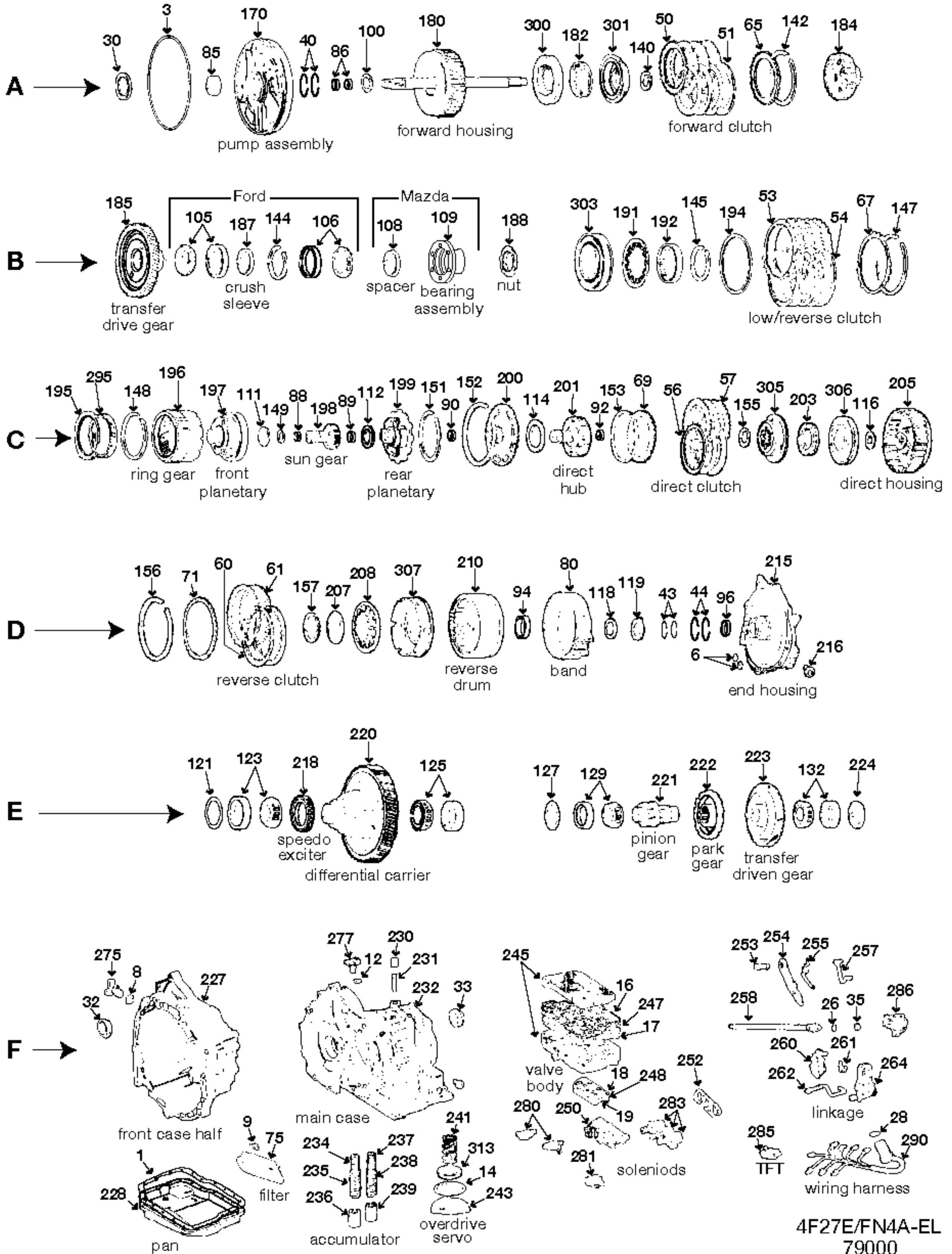
752 Kilgore Road
Jackson Center, PA 16133 U.S.A.
Phone: 800-227-7049
814-786-0166
Fax: 814-786-7321
Web Site: www.mpclubricants.com
Email: sales@mpclubricants.com



**Serving
transmission
specialists
since 1986**



**...The Key to
Reducing Costly
Come Backs**



4F27E/FN4A-EL
79000

ILL	DESCRIPTION	QTY	YEAR	REFERENCE #	PART #	
TECHNICAL MANUALS						
K53	Tech manual 4F27E/FN4A-EL dis/assembly diagnosis/troubleshooting	1	99-07	4F27E-TM	010-469	
REBUILDER KITS						
K4	Master deluxe rebuild kit	Ford/4F27E (w/pistons)	1	00-10	AE	K7900-R
K4	Master deluxe rebuild kit	Mazda/FN4A-EL (w/pistons)	1	99-02	AE	K7900A-R
K4	Master deluxe rebuild kit	Mazda/FN4A-EL (w/pistons)	1	03-08	AE	K7900B-R
K4	Master deluxe rebuild kit	Ford/4F27E (w/o pistons)	1	00-10	AE	K7900C-R
K4	Master deluxe rebuild kit	Mazda/FN4A-LE (w/o pistons)	1	99-02	AE	K7900D-R
K4	Master deluxe rebuild kit	Mazda/FN4A-EL (w/o pistons)	1	03-08	AE	K7900E-R
K5	Master kit w/steels	Ford/4F27E (w/pistons)	1	00-10	AE	K7900
K5	Master kit w/steels	Mazda/FN4A-EL (w/pistons)	1	99-02	AE	K7900A
K5	Master kit w/steels	Mazda/FN4A-EL (w/pistons)	1	03-08	AE	K7900B
K5	Master kit w/steels	Ford/4F27E (w/o pistons)	1	00-10	AE	K7900C
K5	Master kit w/steels	Mazda/FN4A-EL (w/o pistons)	1	99-02	AE	K7900D
K5	Master kit w/steels	Mazda/FN4A-EL (w/o pistons)	1	03-08	AE	K7900E
K6	Master kit w/o steels	Ford/4F27E (w/pistons)	1	00-10	AE	K7900-LS
K6	Master kit w/o steels	Mazda/FN4A-EL (w/pistons)	1	99-02	AE	K7900A-LS
K6	Master kit w/o steels	Mazda/FN4A-EL (w/pistons)	1	03-08	AE	K7900B-LS
K6	Master kit w/o steels	Ford/4F27E (w/o pistons)	1	00-10	AE	K7900C-LS
K6	Master kit w/o steels	Mazda/FN4A-EL (w/o pistons)	1	99-02	AE	K7900D-LS
K6	Master kit w/o steels	Mazda/FN4A-EL (w/o pistons)	1	03-08	AE	K7900E-LS
K7	O/H gasket set w/seals-rings	Ford/4F27E (w/pistons)	1	00-10	AE	K79900
K7	O/H gasket set w/seals-rings	Mazda/FN4A-EL (w/pistons)	1	99-08	AE	K79900A
K7	O/H gasket set w/seals-rings	Ford/4F27E (w/o pistons)	1	00-10	AE	K79900B
K7	O/H gasket set w/seals-rings	Mazda/FN4A-EL (w/o pistons)	1	99-08	AE	K79900D
VALVE BODY KITS						
K15	Correction pkg(soft shift/flare/band fail)	PO741 TCC slip/broken PR spg/acc w/AB100	1	99-06	K4F27E	S79908
GASKETS AND RUBBER COMPONENTS						
F1	Gasket, oil pan	4F27E/FN4A-EL (neoprene/cork)	1	99-10	n/a	14030X
F1	Gasket, oil pan	4F27E/FN4A-EL (Duraprene®)	1	99-10	n/a	14030D
A3	O'ring	FN4A-EL (pump body to case)	1	99-08	FN01-19-242	1082
A3	Seal, lathe cut	4F27E (pump body to case)	1	00-10	XW4Z-7A248-AC	24212
F8	O'ring	4F27E/FN4A-EL (input speed sensor)	1	99-10	n/a	1080
F9	O'ring	4F27E/FN4A-EL (filter)	1	99-10	99541-02206	13822
F12	O'ring	output speed sensor	1	99-10	n/a	1081
F16	Gasket	main valve body upper/lower	2	99-10	XS4Z-7C155-AB	13772
F18	Gasket	solenoid body upper	1	99-10	FN01-21-106	13773
F19	Gasket	solenoid body lower/screened	1	99-10	FN01-21-108	13774
n/i	O'ring	4F27E/FN4A-EL (filler tube to case)	1	99-10	99541-01207	1083
n/i	Seal	4F27E/FN4A-EL (valve body to case)	2	99-10	FN01-Z1-1P1	13927
METAL CLAD SEALS						
A30	Seal, metal clad	4N27E/FN4A-EL (front)	1	99-10	FN11-19-241	79200
F32	Seal, metal clad	4F27E (left/right axle)	2	00-10	XS4Z-1177-AA	79201
F33	Seal, metal clad	FN4A-EL (left/right axle)	2	04-10	F003-27-238A	63201
SEALING RINGS						
K10	Kit, sealing ring	4F27E/FN4A-EL	1	99-10	AE	K79903
A40	Ring, sealing	4F27E/FN4A-EL (forward clutch)	2	99-10	FN01-19-212	79302
D43	Ring, sealing	4F27E/FN4A-EL (direct clutch)	2	99-10	FN11-19-762	79300
D44	Ring, sealing	4F27E/FN4A-EL (reverse clutch)	2	99-10	FN01-19-655	79301

4F27E•FN4A-EL

4F27E•FN4A-EL

ILL	DESCRIPTION	QTY	YEAR	REFERENCE #	PART #
CLUTCH PLATES					
A50	Steel .063" 3.715" id 32T 4F27E/FN4A-EL (forward clutch)	4	99-10	XS4Z-7B422-CB	79100
A51	Friction .063" 4.527" od 32T 4F27E/FN4A-EL (forward clutch)	4	99-10	XS4Z-7B164-CB	79101
B53	Steel .063" 5.621" id 12T 4F27E/FN4A-EL (low/reverse clutch)	5	99-10	XS4Z-7B442-BB	79102
B54	Friction .063" 5.621" id 42T 4F27E/FN4A-EL (low/reverse clutch)	5	99-10	XS4Z-7B164-BB	79103
C56	Friction .063" 4.527" od 32T 4F27E/FN4A-EL (direct clutch)	3	99-10	XS4Z-7B164-CB	79101
C57	Steel .063" 3.715" id 32T 4F27E/FN4A-EL (direct clutch)	3	99-10	XS4Z-7B422-CB	79100
C57	Steel .136" 3.715" id 32T 4F27E (direct clutch)	3	00-10	XS4Z-7B442-DB	79104
C57	Friction .099" 4.527" od 32T (inter T) FN4A-EL (direct/single sided)	3	03-08	133700-A250	79107
C57	Friction .099" 3.715" od 32T (ext T) FN4A-EL (direct/single sided)	3	03-08	133701-A250	79107A
D60	Friction .063" 5.515" od 32T 4F27E/FN4A-EL (reverse clutch)	2/3	99-10	FN01-19-55X	79105
D61	Steel .063" 5.022" id 36T 4F27E/FN4A-EL (reverse clutch)	2/3	99-10	XSFZ-7B442-AB	79106
PRESSURE PLATES					
A65	Pressure plate .153" (beveled) 4F27E/FN4A-EL (forward clutch)	1	99-10	XS4Z-7B066-BB	79714-R
B67	Pressure plate .245" 4F27E/FN4A-EL (low/reverse clutch)	1	99-10	XS4Z-7B065-BB	79715-R
C69	Pressure plate .153" (beveled) 4F27E/FN4A-EL (direct clutch)	1	99-10	XS4Z-7B066-BB	79714-R
D71	Pressure plate .228" 4F27E/FN4A-EL (reverse clutch)	1	99-10	XS4Z-7B066-AB	79716-R
FILTERS					
K9	Kit, fliter 4F27E/FN4A-EL (neoprene/cork)	1	99-10	AE	FK79800
K9	Kit, fliter 4F27E/FN4A-EL (Duraprene®)	1	99-10	AE	DK79800
F75	Filter 4F27E/FN4A-EL	1	99-10	XS4Z-7A098-AC	79800
BANDS					
D80	Band 1.375" wide 4F27E/FN4A-EL (overdrive)	1	99-10	XS4Z-7D034-AB	79700
BUSHINGS					
K13	Kit, bushing 4F27E/FN4A-EL	1	99-10	AE	K79901
A85	Bushing 4F27E/FN4A-EL (pump body)	1	99-10	n/a	79005
A86	Bushing 4F27E/FN4A-EL (stator)	2	99-10	n/a	79001
C88	Bushing 4F27E/FN4A-EL (front sun gear)	1	99-10	n/a	79004
C89	Bushing 4F27E/FN4A-EL (rear sun gear)	1	99-10	n/a	79004
C90	Bushing 4F27E (rear planetary sun gear)	1	00-10	n/a	79003
C90	Bushing FN4A-EL (rear planetary sun gear)	1	99-08	n/a	79007
C92	Bushing 4F27E/FN4A-EL (direct hub)	1	99-10	n/a	79004
D94	Bushing reverse housing	1	99-10	n/a	79008
D96	Bushing 4F27E/FN4A-EL (end housing)	1	99-10	n/a	79006
WASHERS/BEARINGS/RACES/SHIMS					
K12	Kit, thrust bearing 4F27E/FN4A-EL	1	99-10	AE	K79906
A100	Thrust washer 4F27E (pump to forward drum)	1	99-10	XS4Z-7H042-AB	79400
B105	Bearing, cup/cone transfer drive gear	1	99-10	n/a	79402
B106	Bearing, cup/cone transfer drive gear	1	99-10	n/a	79402
B108	Spacer, transfer drive gear bearing FN4A-EL	1	99-08	AE	79401-R
B109	Retainer, w/ bearing FN4A-EL (transfer drive gear)	1	99-08	AE	79411-R
C111	Bearing, thrust sun gear to front planetary	1	99-10	XS4Z-7H375-AB	79403
C112	Bearing, thrust sun gear to rear planetary	1	99-10	XS4Z-7H337-AB	79404
C114	Bearing, thrust (3 tabs) 4F27E (direct clutch hub to rear sun gear)	1	00-10	XS4Z-7C041-AB	79405
C114	Bearing, thrust (4 tabs) direct clutch hub to rear sun gear	1	99-08	n/a	79409
C116	Bearing, thrust 4F27E/FN4A-EL (direct hub to direct drum)	1	99-10	XS4Z-7H335-AB	79406
D118	Bearing, thrust direct drum to end housing	1	99-10	XS4Z-7D234-AC	79407
D119	Thrust washer (race) direct drum to end housing	sel	99-10	XS4Z-7G262-EB	79408
E123	Bearing, cup/cone differential carrier	1	99-10	n/a	79410
E125	Bearing, cup/cone differential carrier	1	99-10	n/a	79410
E129	Bearing, cup/cone pinion gear	1	99-10	n/a	79412
E132	Bearing, cup/cone transfer driven gear	1	99-10	n/a	79412

ILL	DESCRIPTION	QTY	YEAR	REFERENCE #	PART #
SNAP RINGS					
A140	Snap ring forward clutch retainer	1	99-10	AE	79601-R
A142	Snap ring forward clutch pressure plate	1	99-10	AE	79602-R
B144	Snap ring transfer drive gear bearing	1	99-10	AE	79603-R
B145	Snap ring low/reverse clutch retainer	1	99-10	AE	79605-R
B147	Snap ring low/reverse clutch pressure plate	1	99-10	AE	79607-R
C148	Snap ring seat for low sprag	1	99-10	AE	79609-R
C151	Snap ring rear planetary in ring gear	1	99-10	AE	79611-R
C153	Snap ring direct clutch pressure plate	1	99-10	AE	79615-R
C155	Snap ring direct clutch retainer	1	99-10	AE	79620-R
D156	Snap ring reverse clutch pressure plate	1	99-10	AE	79624-R
D157	Snap ring reverse clutch retainer	1	99-10	AE	79626-R
PUMP PARTS AND PUMPS					
A170	Pump, assembly Ford 4F27E	1	00-10	XS4Z-7H103-AB	79424-R
A170	Pump, assembly Mazda FN4A-EL	1	99-08	AE	79424A-R
HARD PARTS					
A180	Housing, forward 4F27E/FN4A-EL	1	99-10	XS4Z-7F207-AC	79725-R
A182	Retainer, w/springs forward clutch	1	99-10	AE	79751-R
C184	Hub, 32T forward clutch	1	99-10	AE	79752-R
B185	Gear, transfer drive (59T) FN4A-EL/4F27E	1	99-10	AE	79754-R
B185	Gear, transfer drive (87T) FN4A-EL/4F27E	1	99-10	AE	79754A-R
B187	Sleeve, crush FN4A-EL/4F27E	1	99-10	n/a	79755
B188	Nut, transfer drive gear FN4A-EL/4F27E	1	99-10	AE	79756-R
B191	Spring, diaphragm 4F27E/FN4A-EL (low/reverse)	1	99-10	XS4Z-7B070-BB	79545-R
B192	Race, inner sprag 4F27E/FN4A-EL (low/reverse)	1	99-10	XS4Z-7D171-AB	79726-R
B194	Steel, dished low/reverse cushion	1	99-10	XS4Z-7B070-CB	79120
C195	Retainer, low sprag FN4A-EL/4F27E	1	99-10	AE	79721-R
C196	Hub, ring gear (89T) 4F27E/FN4A-EL (low/reverse clutch)	1	99-10	XS4Z-7D392-AD	79749-R
C197	Planetary, w/ring gear (3-20T gears) 108T on ring gear 34 splines (front)	1	99-10	XS4Z-7A398-AB	79747-R
C198	Gear, sun 49T 4F27E/FN4A-EL (front planetary)	1	99-10	XS4Z-7A399-AB	79728-R
C199	Planetary, (3-30T pinion gears) FN4A-EL/4F27E (24 splines) (rear)	1	00-10	XS4Z-7D006-AB	79730-R
C199	Planetary, (3-30T pinion gears) FN4A-EL (25 splines) (rear)	1	99-08	AE	79730A-R
C200	Gear, sun w/flange 1.037" id 37T 4F27E (rear planetary)	1	00-10	XS4Z-7A019-AB	79727-R
C200	Gear, sun w/flange 1.175" id 37T FN4A-EL (rear planetary)	1	99-08	AE	79727A-R
C201	Hub 24 splines (6-slots) 4F27E (direct clutch)	1	00-10	XS4Z-7H351-AB	79729-R
C201	Hub 25 splines (no-slots) FN4A-EL (direct clutch)	1	99-08	AE	79729A-R
C203	Retainer, w/springs direct clutch	1	99-10	AE	79759-R
C205	Housing, direct clutch 4F24E/FN4A-EL	1	99-10	XS4Z-7F283-AB	79736-R
D208	Spring, diaphragm 4F24E/FN4A-EL (reverse clutch)	1	99-10	XS4Z-7D070-AB	79546-R
D210	Drum, reverse 4F24E/FN4A-EL	1	99-10	XS4Z-7D044-AB	79733-R
D215	Housing, end 4F24E/FN4A-EL w and w/o cooler line	1	99-10	XS4Z-7211-AB	79741-R
E218	Exciter, 24T (speedo) FN4A-EL/4F27E	1	99-10	AE	79758-R
E218	Exciter, 34T (speedo) FN4A-EL/4F27E	1	99-10	AE	79758A-R
E220	Differential, w/ring gear (85T) 1-groove/37T exciter	1	99-10	AE	79760-R
E220	Differential, w/ring gear (85T) 1-groove/24T exciter	1	99-10	AE	79760A-R
E220	Differential, w/ring gear (86T) 2-grooves	1	99-10	AE	79760B-R
E220	Differential, w/ring gear (86T) 3-grooves/24T exciter	1	99-10	AE	79760C-R
E220	Differential, w/ring gear (89T) 2-grooves/24T exciter	1	99-10	AE	79760D-R
E221	Gear, pinion (21T) 3-grooves	1	99-10	AE	79762-R
E221	Gear, pinion (22T) 1-groove	1	99-10	AE	79762A-R
E221	Gear, pinion (21T) 2-grooves	1	99-10	AE	79762B-R
E222	Gear, park (11-lugs) FN4A-EL/4F27E (36-splines)	1	99-10	AE	79765-R
E223	Gear, transfer driven (57T) FN4A-EL/4F27E	1	99-10	AE	79768-R
E223	Gear, transfer driven (83T) FN4A-EL/4F27E	1	99-10	AE	79768A-R



excerpt from 1999 ATSG Book

FORD AODE / 4R70W

(Another Use For LUBEGARD® Highly Modified ATF Supplement)



ISSUE: In the Ford AODE and 4R70W, a shudder or vibration may occur under light-to-moderate acceleration above 35 mph in third or fourth gear, or during a 3-4 upshift or a 4-3 downshift. This condition may be caused by the converter clutch. The condition normally is noticed on vehicles with 20,000 or more miles when the torqueconverter clutch engages or disengages and the vehicle is under light load.

ACTION: It has been found that by changing the vehicles transmission fluid and adding the LUBEGARD Highly Friction Modified ATF Supplement you can ELIMINATE the PROBLEM. The vehicle may have to be driven up to 100 miles for the condition to be corrected.

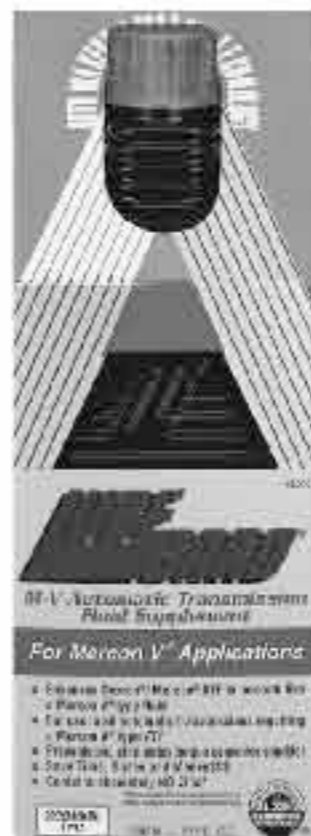


SAVE TIME, SPACE and MONEY with LUBEGARD



LUBEGARD® HIGHLY FRICTION MODIFIED ATF SUPPLEMENT

- Eliminates the need for multiple OEM fluids
- Converts DEXRON® /MERCEN® ATF into any highly friction modified ATF
- Recommended for use in Ford AODE and 4R70W transmissions with shudder problems that do not require MERCEN® V ATF
- Does not contain zinc (ZDDP)/ash



LUBEGARD® M-V ATF SUPPLEMENT

- Eliminates the need for MERCEN® V ATF
- Enhances DEXRON® /MERCEN® to perform like a MERCEN® V ATF
- New Synergo® TMS Technology tightens the shift cycle without losing the friction modification at lockup, which eliminates shudder
- Does not contain zinc (ZDDP)/ash

MAKE	MANUFACTURER'S ATF	MAKE	MANUFACTURER'S ATF
Acura	Honda Genuine/ Z-1	Kia, Hyundai, Mitsubishi	SP III ATF
Chrysler	MOPAR® ATF-3™ (7176) ATF+4™ (9602)	Lexus	Toyota Type T, T II & T IV
Chrysler/Dodge	MOPAR® ATF-3™ (7176) ATF+4™ (9602)	Mitsubishi	Mitsubishi Diamond SP/SP III
Eagle	MOPAR® ATF-3™ (7176) ATF+4™ (9602)	Plymouth	MOPAR® ATF-3™ (7176) ATF+4™ (9602)
Honda	Honda Genuine/ Z-1	Saturn	Saturn Transcend Fluid
Hyundai	SP III	Sterling	Sterling ATF
Jeep	MOPAR® ATF-3™ (7176) ATF+4™ (9602)	Toyota	Toyota Type T, T II & T IV

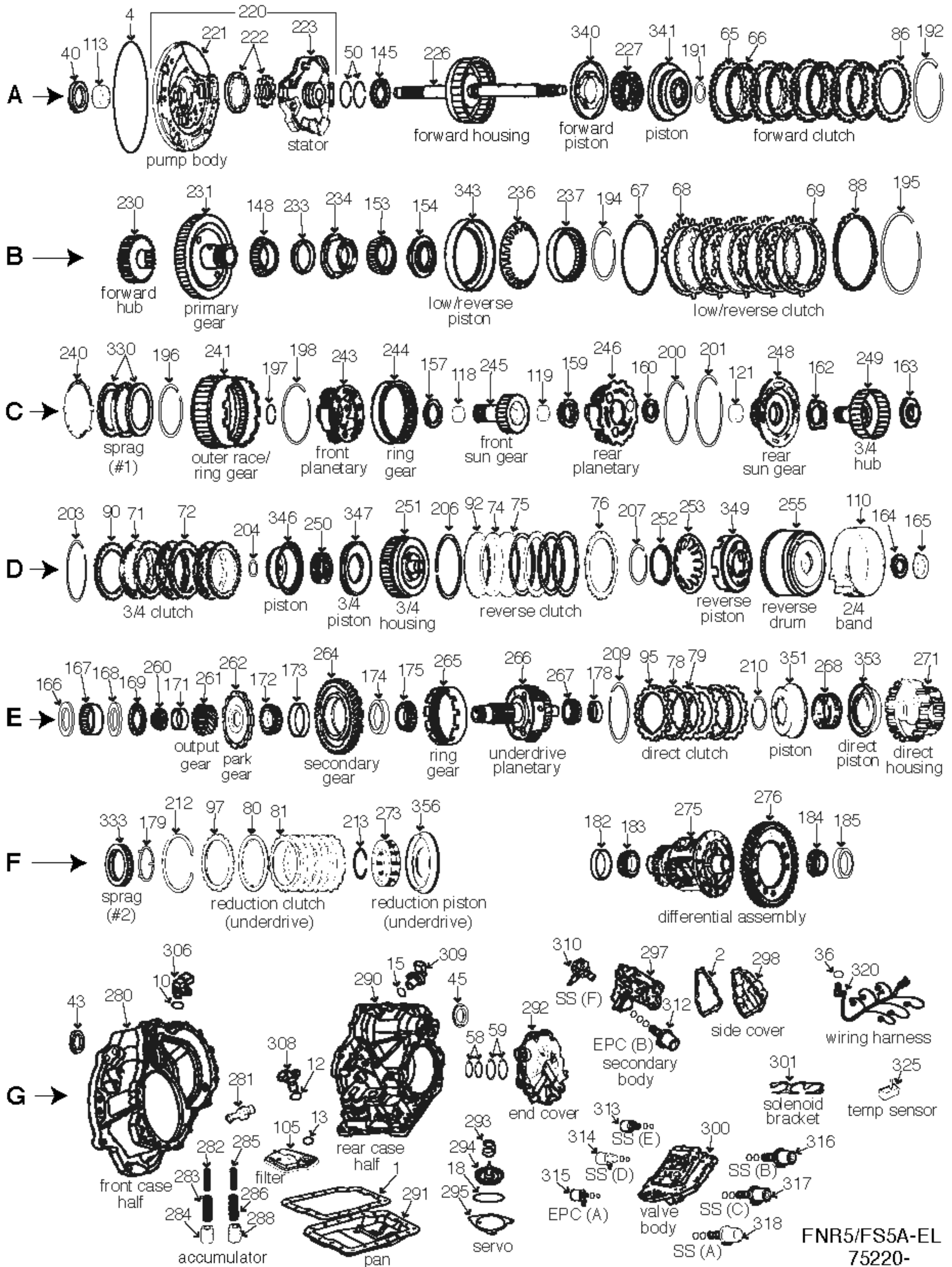
Car and Truck Makes	Manufacturer's ATF
FORD	MERCEN® V
LINCOLN	
MERCURY	
MAZDA	
And all other makes that require MERCEN® V ATF	



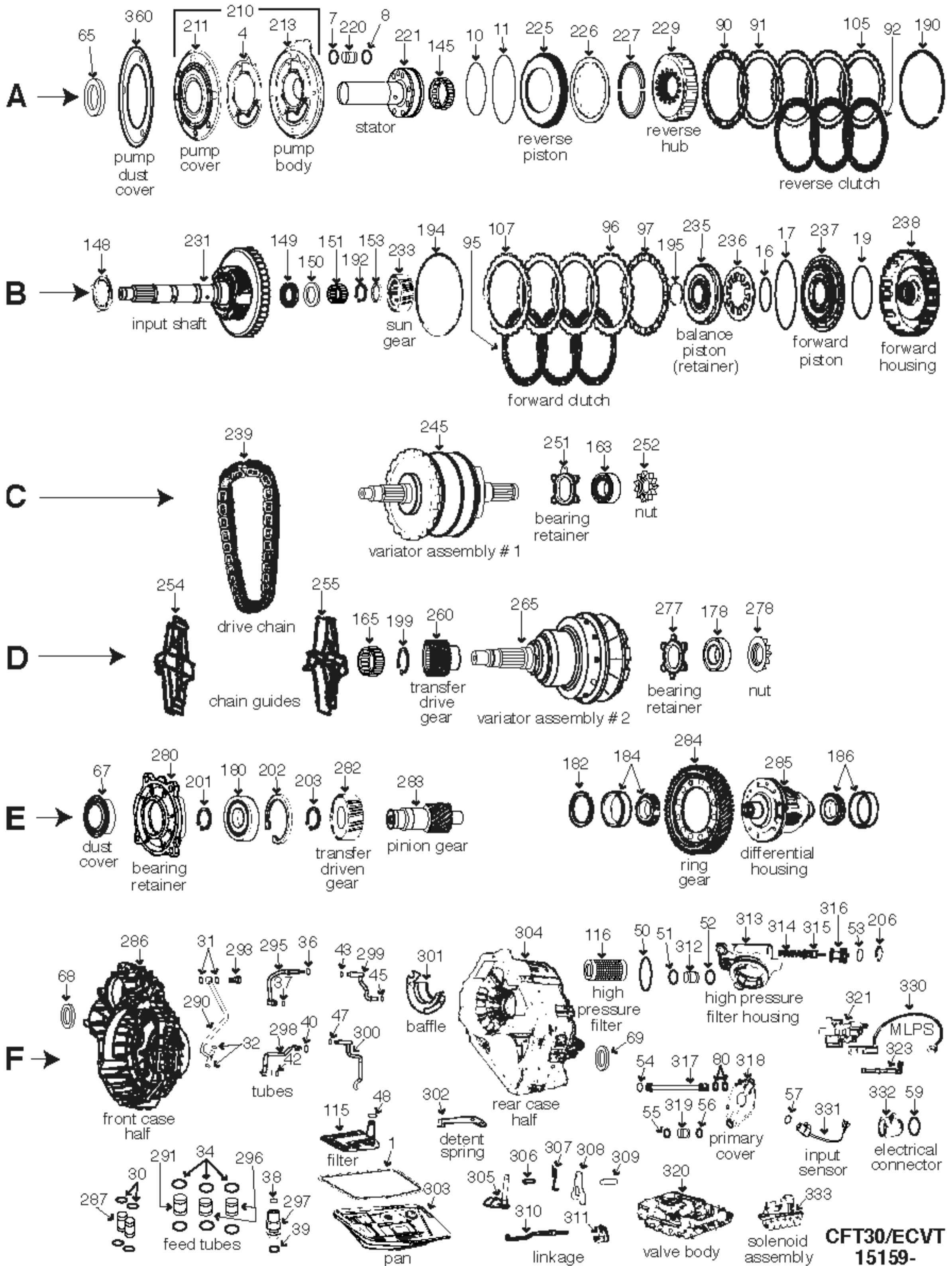
Call 1-800-333-LUBE for your FREE Conversion Book/Wall Chart!



INTERNATIONAL LUBRICANTS, INC.
 7930 Occidental South ■ Seattle, WA 98108 ■ PO Box 24743 ■ Seattle, WA 98124
 206-762-5343 ■ 800-333-LUBE (5823) ■ Fax: 206-762-7989 ■ www.Lubegard.com



ILL	DESCRIPTION		QTY	YEAR	REFERENCE #	PART #
TECHNICAL MANUALS						
K53	Tech manual FNR5/FS5A-EL dis/assembly	diagnosis/troubleshooting	1	06-08	2006	010-481
REBUILDER KITS						
K5	Master kit w/steels	FNR5 (w/pistons)	1	06-09	APC-133907	15220-11004
K5	Master kit w/steels	FS5A-EL (w/pistons)	1	06-07	APC-133905	75220-11004
K5	Master kit w/steels	FNR5 (w/o pistons)	1	06-09	APC-133907X	15220-11104
K5	Master kit w/steels	FS5A-EL (w/o pistons)	1	06-07	APC-133905X	75220-11104
K6	Master kit w/o steels	FNR5 (w/pistons)	1	06-09	APC-133907LS	15220-12004
K6	Master kit w/o steels	FS5A-EL (w/pistons)	1	06-07	APC-133905LS	75220-12004
K6	Master kit w/o steels	FNR5 (w/o pistons)	1	06-09	APC-133907XLS	15220-12104
K6	Master kit w/o steels	FS5A-EL (w/o pistons)	1	06-07	APC-133905XLS	75220-12104
K7	O/H gasket set w/seals-rings	FNR5 (w/pistons)	1	06-09	APC-133907	15220-13004
K7	O/H gasket set w/seals-rings	FS5A-EL (w/pistons)	1	06-09	APC-133804	75220-13004
K7	O/H gasket set w/seals-rings	FNR5 (w/o pistons)	1	06-09	APC-133907X	15220-13104
K7	O/H gasket set w/seals-rings	FS5A-EL (w/o pistons)	1	06-07	APC-133905X	75220-13104
VALVE BODY KITS						
K15	Kit, valve body	FN5R/FS5A-EL	1	06-09	n/a	75220-17009
GASKETS AND RUBBER COMPONENTS						
G1	Gasket, oil pan	FS5A-EL/FNR5	1	06-09	B11559	75220-19004
G2	Gasket, side cover	FS5A-EL/FNR5	1	06-09	B11158	75220-19504
A4	O'ring	FS5A-EL/FNR5	1	06-09	FN01-19-242	1082
METAL CLAD SEALS						
A40	Seal, metal clad	FS5A-EL/FNR5	1	06-09	FN11-19-241	79200
G43	Seal, metal clad	right axle	1	06-09	XS47-1177-AA	63201
G45	Seal, metal clad	left axle	1	06-09	FO03-27-238A	63201
SEALING RINGS						
K10	Kit, sealing ring	FS5A-EL/FNR5	1	06-09	3534	75220-31504
CLUTCH PLATES						
A65	Steel .063" 3.715" id 32T	forward clutch	1	06-09	FN11-19-61X	79100
A66	Friction .063" 4.527" od 32T	forward clutch	4	06-09	FN11-19-370	79101
B68	Steel .063" 5.621" id 12T	low/reverse clutch	5	06-09	XS4Z-7B442BB	79102
B69	Friction .063" 5.621" id 42T	low/reverse clutch	5	06-09	FN01-19-4FX	79103
D71	Friction .099" 4.527" od 32T (inter T)	3rd/4th clutch	3	06-09	FNE1-19-370	79107
D72	Friction .099" 3.715" od 32T (ext T)	3rd/4th clutch	3	06-09	FNE1-19-33Y	79107A
D74	Friction .063" 5.515" od 32T	reverse clutch	2	06-09	FN01-19-5JX	79105
D75	Steel .063" 5.022" id 36T	reverse clutch	2	06-09	XSFZ-7B442AB	79106
D76	Steel .083" 5.022" id 36T (dished)	reverse clutch	1	06-09	n/a	75220-37904
E78	Friction .070" 4.527" od 32T	overdrive direct clutch	2	06-09	FN11-19-370	75220-35604
E79	Steel .063" 3.715" id 32T	overdrive direct clutch	1	06-09	FN11-19-61X	79100
F80	Friction .070" 4.520" od 32T	reduction clutch (underdrive/direct)	3	06-09	APC-133708-180	75220-35804
F81	Steel .062" 3.860" id 30T	reduction clutch (underdrive/direct)	5	06-09	133709-157	75220-38204
FILTERS						
K9	Kit, fliter	FS5A-EL/FNR5	1	06-09	AE	75220-44004
G105	Filter	FS5A-EL/FNR5	1	06-09	FNC1-21-500	75220-45004
BANDS						
D110	Band 1.375" wide	FS5A-EL/FNR5 (2nd/4th)	1	06-09	XSAZ-7D037-AB	79700
BUSHINGS						
A113	Bushing	pump body	1	06-09	n/a	79005
NOTES						



**CFT30/ECVT
15159-**

ILL	DESCRIPTION	QTY	YEAR	REFERENCE #	PART #
TECHNICAL MANUALS					
K53	Tech manual CFT30 dis/assembly diagnosis/troubleshooting	1	05-07	n/a	010-230
REBUILDER KITS					
K5	Master kit w/steels CFT30	1	05-07	APC-193901	15159-11104
K6	Master kit w/o steels CFT30	1	05-07	APC-193901LS	15159-12104
K7	O/H gasket set w/seals-rings CFT30	1	05-07	APC-193800	15159-13104
GASKETS AND RUBBER COMPONENTS					
F1	Gasket, oil pan neoprene/cork	1	05-07	5F9F-7A191-AA	15159-18004
METAL CLAD SEALS					
A65	Seal, metal clad front	1	05-07	5F9Z-7J401-AA	15159-30004
F68	Seal, metal clad right axle 2WD	1	05-07	5F9Z-1177-H	15159-30104
F68	Seal, metal clad right axle 4WD	1	05-07	5F9Z-1177-G	15159-30304
F69	Seal, metal clad left axle 2WD	1	05-07	5F9Z-1177-F	15159-30204
F69	Seal, metal clad left axle 4WD	1	05-07	5F9Z-7F447-DA	15159-30404
n/i	Seal, metal clad input/rear output (transfer case)	2	05-07	5F9Z-7H424-AA	15159-30604
n/i	Seal, metal clad output side flange (transfer case)	1	05-07	5F9Z-7H426-AA	15159-30704
n/i	Seal, metal clad output pinion rear (transfer case)	1	05-07	5F9Z-7H469-AA	15159-30804
CLUTCH PLATES					
A90	Steel, waved 5.631" id 30T reverse clutch	1	05-07	AE	15159-37503
A91	Steel .070" 5.631" id 30T reverse clutch	1	05-07	5F9Z-7B442-BA	15159-37604
A92	Friction .065" 6.555" od 30T reverse clutch	3	05-07	5F9Z-7B164-AA	15159-35204
B95	Friction .079" 5.782" od 30T forward clutch	3	05-07	5F9Z-7B164-CA	15159-35804
B96	Steel .070" 4.883" id 30T forward clutch	3	05-07	5F9Z-7B442-AA	15159-38104
B97	Steel, waved 4.883" id 30T forward clutch	1	05-07	AE	15159-38003
PRESSURE PLATES					
A105	Pressure plate reverse clutch	1	05-07	AE	15159-41103
B107	Pressure plate forward clutch	1	05-07	AE	15159-41603
FILTERS					
K9	Kit, filter neoprene/cork	1	05-07	AE	15159-45004
F115	Filter CFT30	1	05-07	5F9Z-7A098-A	15159-45104
F116	Filter, inline cartridge CFT30	1	05-07	5F9Z-7A098-A	15159-46004
WASHERS/BEARINGS/RACES/SHIMS					
A145	Bearing, caged input shaft support	1	05-07	n/a	15159-56804
B148	Thrust washer 4 tabs reverse hub to planetary	1	05-07	n/a	15159-57104
B149	Bearing, thrust planetary to race	1	05-07	n/a	15159-57304
B150	Race, thrust bearing to sun gear	1	05-07	n/a	15159-57404
B151	Bearing, caged input shaft (inner)	1	05-07	n/a	15159-58004
B153	Washer, spacer snap ring to sun gear	1	05-07	n/a	15159-58304
C163	Bearing, ball variator #1 retainer to nut	1	05-07	n/a	15159-59004
D165	Bearing, caged transfer drive gear	1	05-07	n/a	15159-59304
D178	Bearing, ball variator #2 retainer to nut	1	05-07	n/a	15159-59504
E180	Bearing, ball pin gr snap rg to ret snap rg (inside ret)	1	05-07	n/a	15159-59804
E182	Washer, shim front case half to race	sel	05-07	n/a	15159-59704
E184	Bearing, cup/cone front case half shim to differential	1	05-07	n/a	15159-60104
E186	Bearing, cup/cone differential to rear case half	1	05-07	n/a	15159-60204
SNAP RINGS					
A190	Snap ring reverse pressure plate	1	05-07	n/a	15159-62503
B192	Snap ring washer to forward housing	1	05-07	n/a	15159-62803
B194	Snap ring forward pressure plate	1	05-07	n/a	15159-63003
B195	Snap ring forward piston retainer	1	05-07	n/a	15159-63503
D199	Snap ring transfer gear to variator #2 shaft	1	05-07	n/a	15159-64003
E201	Snap ring ball type bearing to pinion gear	1	05-07	n/a	15159-64503
E202	Snap ring ball type bearing to retainer	1	05-07	n/a	15159-64703
E203	Snap ring transfer driven gear to pinion gear	1	05-07	n/a	15159-65003

CFT30

CFT30

ILL	DESCRIPTION	QTY	YEAR	REFERENCE #	PART #	
PUMP PARTS AND PUMPS						
A210	Pump, body assembly	CFT30/ECVT	1	05-07	AE	15159-67003
HARD PARTS						
A221	Stator (support)	CFT30/ECVT	1	05-07	AE	15159-72503
A225	Piston	reverse clutch	1	05-07	AE	15159-72703
A226	Spring, diaphragm	reverse	1	05-07	AE	15159-72903
A227	Retainer, diaphragm (split type)	reverse	1	05-07	AE	15159-73203
A229	Hub, reverse clutch	CFT30/ECVT	1	05-07	AE	15159-73503
B231	Shaft, input (w/planetary)	CFT30/ECVT	1	05-07	AE	15159-74003
B233	Gear, sun 42T	CFT30/ECVT	1	05-07	AE	15159-74403
B235	Retainer, diaphragm	forward (balance piston)	1	05-07	AE	15159-74803
B236	Spring, diaphragm	forward	1	05-07	AE	15159-75003
B237	Piston	forward clutch	1	05-07	AE	15159-75304
B238	Housing, forward clutch	CFT30/ECVT	1	05-07	AE	15159-76003
C239	Chain, drive	CFT30/ECVT	1	05-07	n/a	15159-76504
C239	Chain, drive	CFT30/ECVT	1	05-07	AE	15159-76503
C245	Pulley, variator assembly #1	CFT30/ECVT	1	05-07	AE	15159-77003
C251	Retainer, bearing	variator assembly #1	1	05-07	AE	15159-77503
C252	Nut	variator #1 shaft	1	05-07	AE	15159-77903
D254	Guide, drive chain (pair)	CFT30/ECVT	1	05-07	AE	15159-78203
D255	Guide, drive chain (pair)	CFT30/ECVT	1	05-07	AE	15159-78503
D260	Gear, transfer drive 34T	CFT30/ECVT	1	05-07	AE	15159-79003
D260	Gear, transfer drive 29T	CFT30/ECVT	1	05-07	AE	15179-79103
D265	Pulley, variator assembly #2	CFT30/ECVT	1	05-07	AE	15159-79503
D277	Retainer, bearing	variator assembly #2	1	05-07	AE	15159-79803
D278	Nut	variator #2 shaft	1	05-07	AE	15159-80103
E280	Retainer, bearing	pinion gear	1	05-07	AE	15159-80503
E282	Gear, transfer (driven) 54T	CFT30/ECVT	1	05-07	AE	15159-81003
E283	Gear, diff ring w/pinion gear 22T/69T	CFT30/ECVT	1	05-07	AE	15159-81503
E284	Gear, diff ring w/pinion gear 22T/69T	CFT30/ECVT	1	05-07	AE	15159-81503
E285	Carrier, differential w/spider gears	CFT30/ECVT	1	05-07	AE	15159-82003
F301	Baffle, oil dam	CFT30/ECVT	1	05-07	AE	15159-83003
F302	Spring, detent	CFT30/ECVT	1	05-07	AE	15159-83203
F307	Spring, park pawl	CFT30/ECVT	1	05-07	AE	15159-83903
F308	Pawl, park	CFT30/ECVT	1	05-07	AE	15159-83703
F313	Housing, high pressure filter	CFT30/ECVT	1	05-07	n/a	15159-83503
ELECTRICAL COMPONENTS						
F330	Switch, MLPS	CFT30/ECVT	1	05-07	n/a	15159-85104
F331	Sensor	input	1	05-07	n/a	15159-85304
F332	Connector, electrical	CFT30/ECVT	1	05-07	AE	15159-85504
F333	Solenoid, assembly	CFT30/ECVT	1	05-07	n/a	15159-85604
BONDED PISTONS						
A360	Cover, pump	CFT30/ECVT	1	05-07	5F9Z-7B325-AA	15159-96100
NOTES						

NEW PART NO 50185

BorgWarner PART NO. 50185

OEM Heavy Duty Replacement
Governor Pressure Solenoid fits
Dodge/Jeep 42/44/46/47/48 RE transmissions



BorgWarner



BorgWarner carries a full line of OEM quality clutch plates, transmission bands, one-way clutches, and electronic transmission solenoids that are 100% guaranteed to fit your rebuilds.

We're stable under pressure.

BorgWarner's new Governor Pressure Solenoid will not flood out at increased line pressures and can be used in modified and high performance transmissions as well as stock units. It delivers all the benefit of much more expensive aftermarket solenoid adapter kits for just the price of a solenoid, and with better reliability and no extra parts to change out.

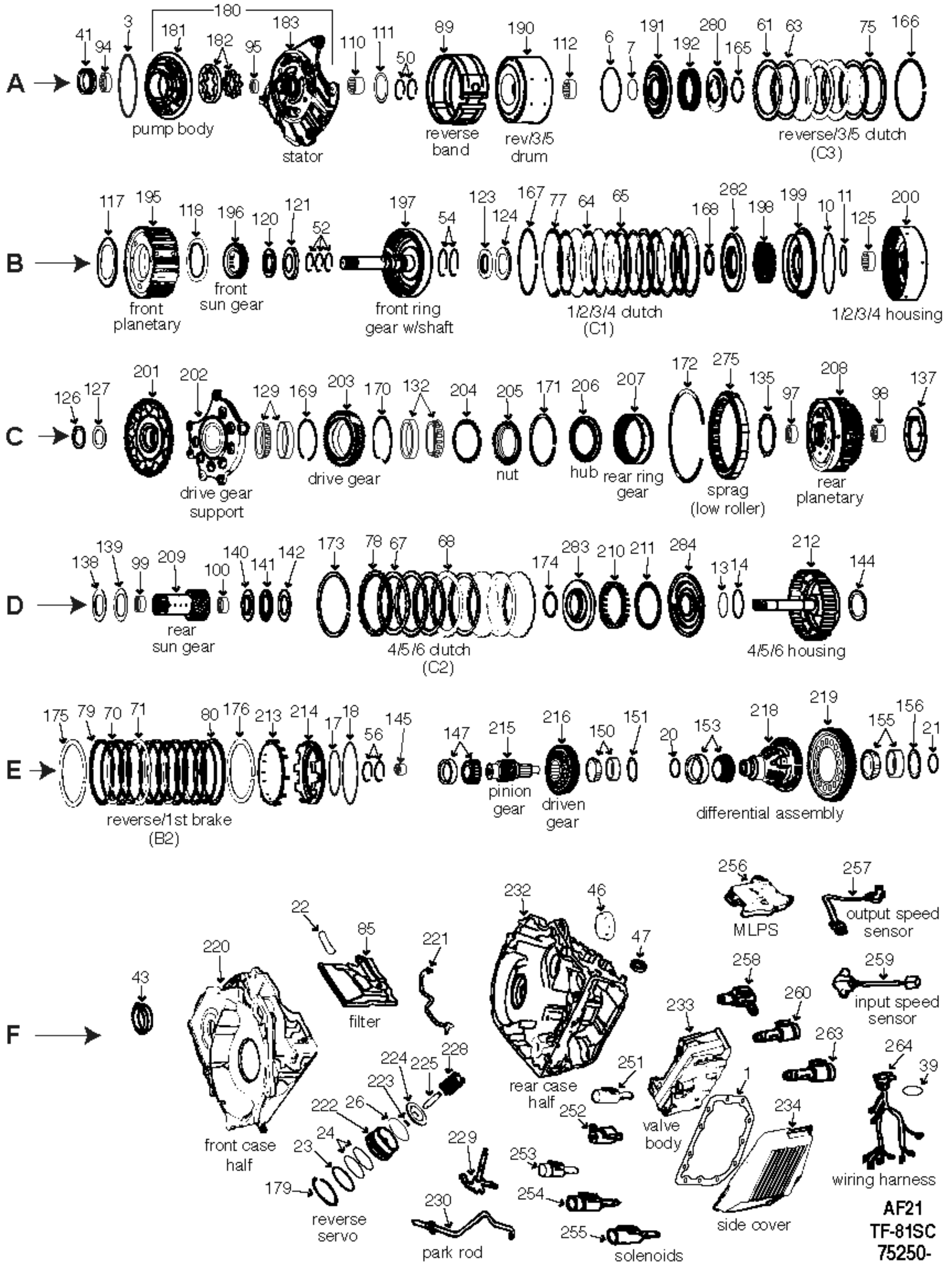
The extra size gives you more **magnet force, more spool valve force, 15% more flow capacity than the OE brand**, all of which adds up to a wide safety margin of stable pressure to ensure reliable shifting under all conditions.

Call your authorized distributor today and ask for genuine OEM quality solenoids from the global leader in automatic transmission technology...BorgWarner Inc.

 **BorgWarner**[™]

The BorgWarner Indianapolis 500 Trophy is a registered trademark of BorgWarner Inc.





ILL	DESCRIPTION		QTY	YEAR	REFERENCE #	PART #
TECHNICAL MANUALS						
K53	Tech manual TF-81SC dis/assembly	diagnosis & troubleshooting	1	05-11	n/a	010-489
REBUILDER KITS						
K5	Master kit w/steels	w/pistons	1	05-11	AE	75250-11004
K5	Master kit w/steels	w/o pistons	1	05-11	AE	75250-11104
K6	Master kit w/o steels	w/pistons	1	05-11	AE	75250-12004
K6	Master kit w/o steels	w/o pistons	1	05-11	AE	75250-12104
K7	O/H gasket set w/seals-rings	w/pistons	1	05-11	AE	75250-13004
K7	O/H gasket set w/seals-rings	w/o pistons	1	05-11	DP2511	75250-13104
VALVE BODY KITS						
K15	Kit, valve body repair	TF-81SC	1	05-11	SK® AWF21	75250-17009
GASKETS AND RUBBER COMPONENTS						
F1	Gasket, oil pan	AF21-B (Asin Warner)	1	05-11	B11521	75250-19104
A3	O'ring	pump body	1	05-11	n/a	75250-21004
E20	O'ring	differential housing to axle shaft	1	05-11	n/a	75250-23004
E21	O'ring	differential housing to axle shaft	1	05-11	n/a	75250-23004
F23	O'ring	reverse servo cover	1	05-11	n/a	75250-23504
F24	O'ring	reverse servo cover	1	05-11	n/a	75250-23603
F26	O'ring	reverse servo piston	1	05-11	n/a	75250-23704
METAL CLAD SEALS						
A41	Seal, metal clad	pump seal	1	05-11	B37082	75250-30004
A43	Seal, metal clad	Ford/Mercury (right axle)	1	05-11	B37083	15250-30104
A43	Seal, metal clad	Mazda (right axle)	1	06-11	B37079	75250-30204
A46	Seal, metal clad	Ford/Mercury (left axle)	1	05-11	B37084	15250-30304
A46	Seal, metal clad	Mazda (left axle)	1	06-11	B37080	75250-30404
A47	Seal, metal clad 12x22x7mm	manual shift shaft	1	05-11	n/a	46202
SEALING RINGS						
K10	Kit, sealing ring	TF-81SC	1	05-11	n/a	75250-31504
A50	Sealing ring	pump support	2	05-11	n/a	75250-33104
B52	Sealing ring	turbine shaft (front)	3	05-11	n/a	75250-33204
B54	Sealing ring	turbine shaft (rear)	2	05-11	n/a	75250-33304
E56	Sealing ring	main case half	2	05-11	n/a	75250-33404
CLUTCH PLATES						
A61	Steel .091" 5.557" id 36T (sets of 2)	reverse/3rd/5th clutch (C3)	4	05-11	197705-230	97251-37504
A63	Friction .067" 6.523" od 54T	reverse/3rd/5th clutch (C3)	4	05-11	197704-170	97251-35104
B64	Friction .067" 6.186" od 54T	1st/2nd/3rd/4th clutch (C1)	6	05-11	197700-170	97251-35204
B65	Steel .071" 5.558" id 40T	1st/2nd/3rd/4th clutch (C1)	6	05-11	197701-180	97251-37604
D67	Friction .067" 6.293" od 55T	4th/5th/6th clutch (C2)	3	05-11	197702-170	97251-35304
D68	Steel .071" 5.637" id 36T	4th/5th/6th clutch (C2)	3	05-11	197703-180	97251-37704
E70	Friction .067" 7.306" od 60T	reverse/1st engine brake (B2)	6	05-11	197706-170	97251-35404
E71	Steel .071" 6.811" id 14T (sets of 2)	reverse/1st engine brake (B2)	5	05-11	197707-180	97251-37804
PRESSURE PLATES						
A75	Pressure plate 36T (stepped)	reverse/3rd/5th clutch (C3)	1	05-11	AE	97251-41103
B77	Pressure plate 40T (stepped)	1st/2nd/3rd/4th clutch (C1)	1	05-11	AE	97251-41503
E78	Pressure plate 36T (stepped)	4th/5th/6th clutch (C2)	1	05-11	AE	97251-42003
E79	Pressure plate 14T (backing)(sets of 2)	reverse/1st engine brake (B2)	1	05-11	AE	97251-42503
E80	Pressure plate 14T (apply)(sets of 2)	reverse/1st engine brake (B2)	1	05-11	AE	97251-43003
FILTERS						
F85	Filter	TF-81SC (mounts on pump support)	1	05-11	APC-197940	97251-45004
BANDS						
A89	Band	TF-81SC	1	05-11	n/a	75250-47504

TF-81SC•AF21-B•AF21•AW6A-EL•AM6

TF-81SC•AF21•AW6A-EL•AM6

ILL	DESCRIPTION	QTY	YEAR	REFERENCE #	PART #
BUSHINGS					
K13	Kit, bushing	1	05-11	n/a	75250-50104
A94	Bushing, dimpled	1	05-11	n/a	75250-50604
A95	Bushing, dimpled	1	05-11	n/a	75250-50704
C97	Bushing, dimpled	1	05-11	n/a	75250-51004
C98	Bushing, dimpled	1	05-11	n/a	75250-51104
D99	Bushing, dimpled	1	05-11	n/a	75250-51204
D99	Bushing, dimpled	1	05-11	n/a	75250-51204
WASHERS/BEARINGS/RACES/SHIMS					
A110	Bearing, caged	1	05-11	n/a	75250-56104
A111	Washer, thrust .046" 2.057" od (1 tab)	1	05-11	n/a	75250-56204
A112	Bearing, caged	1	05-11	n/a	75250-56504
B117	Washer, thrust .138" 3.800" od (3 tabs)	1	05-11	n/a	75250-57104
B118	Washer, thrust .053" 3.346" od (3 tabs)	1	05-11	n/a	75250-57304
B120	Bearing, thrust .070" 2.400" od	1	05-11	n/a	75250-57504
B121	Race, thrust .040" 2.700" od	1	05-11	n/a	75250-57604
B123	Bearing, thrust .110" 2.065" od	1	05-11	n/a	75250-57704
B124	Race, thrust .059" 1.902" od	1	05-11	n/a	75250-57804
B125	Bearing, caged	1	05-11	n/a	75250-57904
C126	Bearing, thrust .110" 1.885" od	1	05-11	n/a	75250-58004
C127	Race, thrust .060" 1.843" od	1	05-11	n/a	75250-58104
C126	Bearing, cup/cone	1	05-11	n/a	75250-58204
C132	Bearing, cup/cone	1	05-11	n/a	75250-58204
C135	Washer, thrust .048" 3.140" od (3 tabs)	1	05-11	n/a	75250-58704
C137	Washer, thrust .120" 4.107" od (6 tabs)	1	05-11	n/a	75250-59004
D138	Bearing, thrust .130" 1.910" od	1	05-11	n/a	75250-59104
D139	Race, thrust .032" 1.889" od	1	05-11	n/a	75250-59204
D140	Race, thrust .032" 1.713" od	1	05-11	n/a	75250-59304
D141	Bearing, thrust .138" 1.716" od	1	05-11	n/a	75250-59404
D142	Race, thrust .032" 1.635" od	1	05-11	n/a	75250-59504
D144	Bearing, thrust .162" 2.922" od	1	05-11	n/a	75250-59604
E145	Bearing, caged w/seal	1	05-11	DB501608W	75250-59804
E147	Bearing, cup/cone	1	05-11	n/a	75250-59904
E150	Bearing, cup/cone	1	05-11	n/a	75250-60104
E151	Washer, shim	sel	05-11	n/a	75250-60204
E153	Bearing, cup/cone	1	05-11	n/a	75250-60304
E155	Bearing, cup/cone	1	05-11	n/a	75250-60304
E156	Washer, shim	sel	05-11	n/a	75250-60504
SNAP RINGS					
A165	Snap ring .060" 2.550" od	1	05-11	AE	75250-62203
A166	Snap ring .064" 7" od	1	05-11	AE	75250-62503
B167	Snap ring .064" 6.750" od	1	05-11	AE	75250-62803
B168	Snap ring .060" 2.100" od	1	05-11	AE	75250-63003
C169	Snap ring	1	05-11	AE	75250-63203
C170	Snap ring .065" 4.584" od	1	05-11	AE	75250-63303
C171	Snap ring .048" 5.057" od	1	05-11	AE	75250-63403
C172	Snap ring .046" 8.005" od	1	05-11	AE	75250-63503
D173	Snap ring .063" 6.075" od	1	05-11	AE	75250-64003
D175	Snap ring .049" 2.096" od	1	05-11	AE	75250-64203
E175	Snap ring .048" 8" od	1	05-11	AE	75250-64403
E176	Snap ring .084" 7.670" od	1	05-11	AE	75250-64603
F179	Snap ring .074" 2.593" od	1	05-11	AE	75250-65003

ILL	DESCRIPTION	QTY	YEAR	REFERENCE #	PART #
PUMP PARTS AND PUMPS					
A180	Pump assembly TF-81SC	1	05-11	AE	75250-67003
HARD PARTS					
A190	Drum, reverse casting #BB25D1011	1	05-11	AE	75250-72103
A191	Piston, reverse/3/5 clutch steel	1	05-11	AE	75250-72303
A192	Retainer, w/26 springs reverse/3/5 clutch	1	05-11	AE	75250-72403
B195	Planetary, front (3 pinions 17T) TF-81SC (no id grooves)	1	05-11	AE	75250-72603
B196	Gear, front sun 45T (40 splines) TF-81SC (no id grooves)	1	05-11	AE	75250-72803
B197	Gear, front ring w/shaft 81T TF-81SC (no id grooves)	1	05-11	AE	75250-73003
B198	Retainer, w/25 springs 1/2/3/4 clutch	1	05-11	AE	75250-73303
B199	Piston, 1/2/3/4 clutch steel	1	05-11	AE	75250-73403
B200	Housing, 1/2/3/4 clutch TF-81SC	1	05-11	AE	75250-73803
C201	Hub, 1/2/3/4 housing drive TF-81SC (40 splines)	1	05-11	AE	75250-74003
C202	Support, drive gear TF-81SC	1	05-11	AE	75250-74103
C203	Gear, drive 51T (72 splines) TF-81SC (no id grooves)	1	05-11	AE	75250-74303
C204	Retainer, nut lock TF-81SC	1	05-11	AE	75250-74503
C205	Nut, drive gear TF-81SC	1	05-11	AE	75250-74803
C206	Hub, drive gear 72 external splines/72 internal splines	1	05-11	AE	75250-75003
C207	Gear, rear ring 72T TF-81SC	1	05-11	AE	75250-75203
C208	Planetary, rear (3-pinion gears) inner 17T/outer 18T	1	05-11	AE	75250-75503
D209	Gear, rear sun 27T (32 splines) TF-81SC	1	05-11	AE	75250-75703
D210	Retainer, w/28 springs 4/5/6 clutch	1	05-11	AE	75250-76003
D211	Retainer, seat (for springs) 4/5/6 clutch	1	05-11	AE	75250-76103
D212	Housing, 4/5/6 clutch w/shaft TF-81SC	1	05-11	AE	75250-76403
E213	Retainer, w/14 springs reverse/1 brake clutch	1	05-11	AE	75250-76603
E214	Piston, reverse/1 brake clutch aluminum	1	05-11	AE	75250-76703
E215	Gear, pinion gear 15T (30 splines) TF-81SC (6.660" length)	1	05-11	AE	75250-77003
E216	Gear, driven w/park gear 50T TF-81SC	1	05-11	AE	75250-77303
E218	Differential assembly (w/spider gears) TF-81SC	1	05-11	AE	75250-77503
E219	Gear, final ring 1.735" 53T TF-81SC	1	05-11	AE	75250-78003
F220	Housing, front TF-81SC	1	05-11	AE	75250-78203
F229	Lever, shift shaft (rooster cone) TF-81SC	1	05-11	AE	75250-79003
F230	Rod, park TF-81SC	1	05-11	AE	75250-79103
F232	Housing, main case TF-81SC	1	05-11	AE	75250-80103
F233	Valve body w/solenoids TF-81SC	1	05-11	AE	75250-80503
F234	Pan, side cover TF-81SC	1	05-11	AE	75250-80703
F222	Cover, reverse servo TF-81SC	1	05-11	AE	75250-78403
F224	Servo, w/pin (reverse) TF-81SC	1	05-11	AE	75250-78503
F228	Spring, reverse servo TF-81SC	1	05-11	AE	75250-78603
n/i	Pawl, park TF-81SC	1	05-11	AE	75250-81003
n/i	Pin, park pawl TF-81SC	1	05-11	AE	75250-81103
n/i	Spring, park pawl TF-81SC	1	05-11	AE	75250-81203
n/i	Spring, park guide TF-81SC	1	05-11	AE	75250-81303
n/i	Spring, detent TF-81SC	1	05-11	AE	75250-81403
ELECTRICAL COMPONENTS					
F251	Solenoid line pressure	1	05-11	n/a	75250-85504
F252	Solenoid shift B	1	05-11	n/a	75250-85604
F253	Solenoid shift E	1	05-11	n/a	75250-85704
F254	Solenoid shift C	1	05-11	n/a	75250-85804
F255	Solenoid TCC	1	05-11	n/a	75250-85904
F256	Switch, MLPS neutral start	1	05-11	n/a	75250-86004
F257	Sensor, speed output speed (VSS)	1	05-11	n/a	75250-86104
F258	Solenoid shift A	1	05-11	n/a	75250-86204
F259	Sensor, speed input speed (VTS)	1	05-11	n/a	75250-86304



PowerTow™

Don't Blow It - Power Tow It!

Turn Your Hard Working Transmission Into A True Performance Unit!

PowerTow™ Selective Action Performance Packages are specifically designed and tested for hauling, fleet and commercial units. This kit includes "Programmer Friendly" gas or diesel performance levels. Specifically developed for today's hard working computer controlled automatic transmissions.

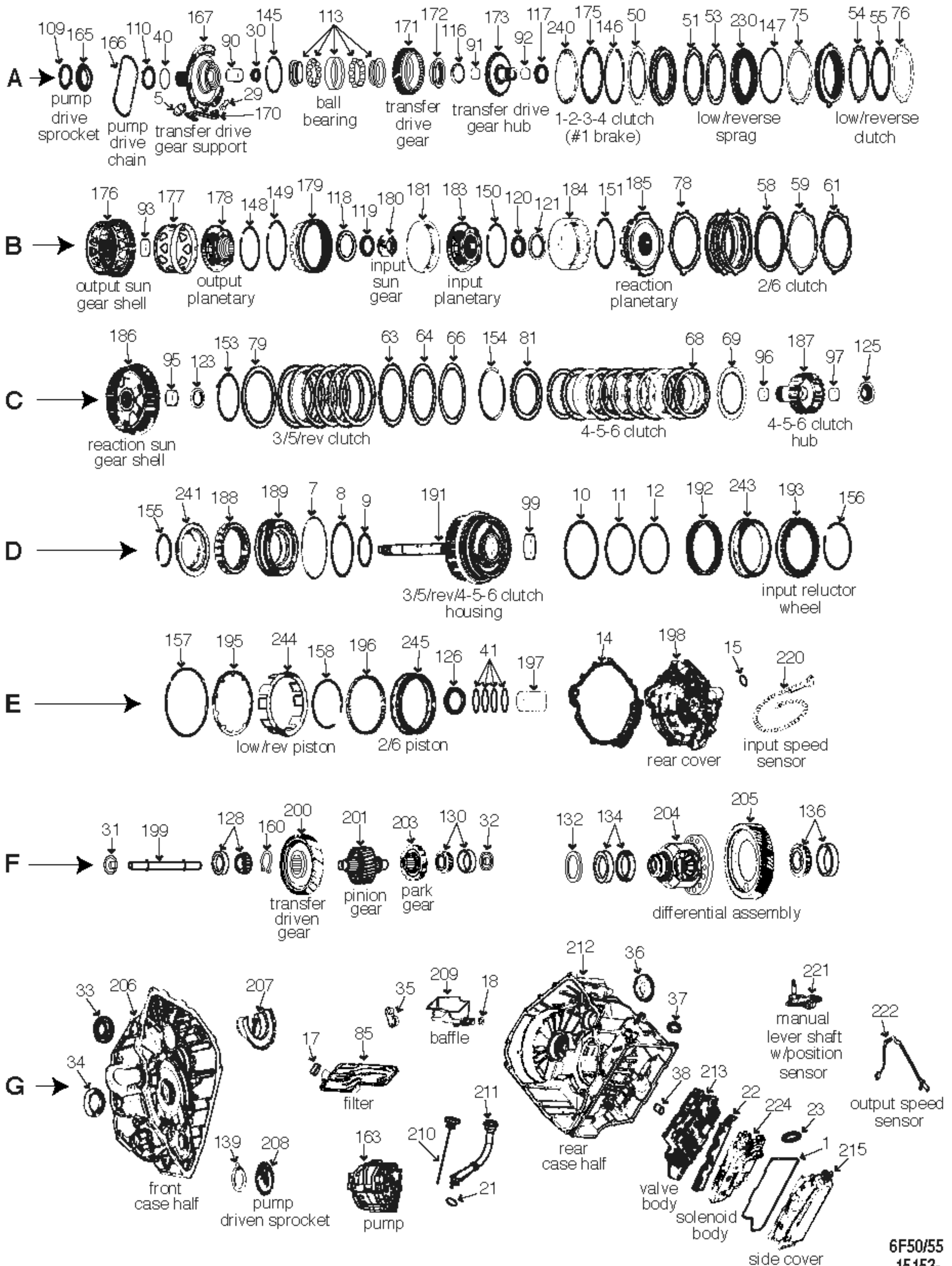
- ✓ Specifically Designed To Be Programmer Friendly
- ✓ Works on Gas or Diesel
- ✓ Firms Shifts and Increases Holding Power
- ✓ Reduces Clutch Slippage - Less Heat Build-up
- ✓ Increases Cooler Flow & Upgrades Lube Circuits
- ✓ Allows Full Time Lube To Parts
- ✓ Several Different Levels of Performance
- ✓ Works on E40D & 4R100 Transmissions
- ✓ Can Be Installed In-Vehicle, During Rebuild or Upgrading Torque Converter / Internals



Part# PT4R100

SUPERIOR
TRANSMISSION PARTS, INC.
THE SIMPLE SOLUTION™
FOR MORE INFORMATION OR TO
LOCATE A DISTRIBUTOR NEAR YOU

800-451-3115
www.superiortransmission.com



6F50/55
15153-

ILL	DESCRIPTION	QTY	YEAR	REFERENCE #	PART #
TECHNICAL MANUALS					
K53	Tech manual 6T75/6F55 dis/assembly	1	07-10	n/a	010-329
REBUILDER KITS					
K5	Master kit w/steels	1	07-10	AE	15153-11004
K4	Master kit w/steels	1	07-10	AE	15153-11104
K6	Master kit w/o steels	1	07-10	AE	15153-12004
K6	Master kit w/o steels	1	07-10	AE	15153-12104
K7	O/H gasket set w/seals-rings	1	07-10	DP2519	15153-13004
K7	O/H gasket set w/seals-rings	1	07-10	DP2518	15153-13104
n/i	Kit, valve body gaskets	1	07-10	4830	15153-16004
GASKETS AND RUBBER COMPONENTS					
G1	Gasket, side cover (molded rubber)	1	07-10	B33373	10153-20004
A5	Gasket, bonded rubber	1	07-10	n/a	15153-28004
D7	D'ring (orange strip)	1	07-10	n/a	15153-21504
D8	D'ring	1	07-10	n/a	15153-21604
D9	D'ring	1	07-10	n/a	15153-21704
D10	D'ring	1	07-10	n/a	15153-21804
D11	D'ring	1	07-10	n/a	15153-21904
D12	D'ring (orange strip)	1	07-10	n/a	15153-22004
E14	Gasket, end housing (molded rubber)	1	07-10	n/a	15153-28204
E15	O'ring	1	07-10	n/a	15153-22504
G18	O'ring	1	07-10	n/a	15153-22904
G17	Seal, boot	1	07-10	n/a	15153-22804
G21	O'ring	1	07-10	n/a	10153-23004
G22	Gasket, solenoid body (plastic w/screens)	1	07-10	n/a	15153-23804
G23	Seal, solenoid body	1	07-10	n/a	15153-23104
n/i	Seal, round rubber	1	07-10	n/a	15153-23904
n/i	Seal, flat plastic	1	07-10	n/a	15153-24004
n/i	O'ring	1	07-10	n/a	15153-24104
METAL CLAD SEALS					
A29	Seal, metal clad	1	07-10	n/a	10153-30704
A30	Seal, metal clad	1	07-10	7T4Z-7048-A	10153-30404
F31	Seal, metal clad	1	07-10	n/a	15153-30504
F32	Seal, metal clad	1	07-10	n/a	15153-30504
G33	Seal, metal clad	1	07-10	7T4Z-1177-A	10153-30304
G34	Seal, metal clad	1	07-10	7TZ4-7F401-A	10153-30104
G35	Seal, metal clad	1	07-10	n/a	10153-30804
G36	Seal, metal clad	1	07-10	7T4Z-1177-B	10153-30604
G37	Seal, metal clad	1	07-10	8654709	51202A
G38	Seal, metal clad	1	07-10	n/a	10153-30904
SEALING RINGS					
K10	Kit, sealing ring	1	07-10	n/a	15153-31504
A40	Sealing ring (teflon solid)	1	07-10	n/a	15153-33204
E41	Sealing ring (teflon solid)	4	07-10	n/a	15153-33404
CLUTCH PLATES					
A50	Steel, waved .064" 6.900" id 12T	1	07-10	n/a	15153-40604
A51	Steel .083" 6.900" id 12T	2	07-10	196709-216	15153-37504
A53	Friction .064" 8.200" od 36T	2	07-10	196708-160	15153-35104
A54	Steel .067" 7.750" id 10T	3	07-10	196707-173	15153-37604
A55	Friction .067" 8.663" od 48T	4	07-10	196706-157	15153-35204
B58	Friction .062" 8.234" od 36T	3	07-10	196700-152	15153-35304
B59	Steel .117" 7.194" id 5T	3	07-10	196701-290	15153-37704
B61	Steel, waved .042" 7.300" 5T	1	07-10	n/a	15153-40804
C63	Friction .062" 5.628" id 36T (external T)	4	07-10	196704-157	15153-35404

ILL	DESCRIPTION	QTY	YEAR	REFERENCE #	PART #	
CLUTCH PLATES (CONTINUED)						
C64	Steel .115" 6.588" od 36T (internal T)	3rd/5th/reverse clutch	4	07-10	196705-292	15153-37804
C66	Steel, waved .029" 6.588" od 36T (inter T)	3rd/5th/reverse clutch	1	07-10	n/a	15153-40904
C68	Friction .062" 4.759" od 24T	4th/5th/6th clutch	6	07-10	196702-157	15153-35504
C69	Steel .068" 3.929" id 36T	4th/5th/6th clutch	6	07-10	196703-173	15153-37904
PRESSURE PLATES						
A75	PP .316" 7.750" id 10T (stepped)	low/reverse clutch	1	07-10	AE	15153-41103
A76	Pressure plate .155" 7.750" id 10T	low/reverse clutch	1	07-10	AE	15153-41603
B78	Pressure plate .253" 7.250" id 5T	2nd/6th clutch	1	07-10	AE	15153-42103
C79	PP .254" 6.558" od 36T (internal step)	3rd/5th/reverse clutch	1	07-10	AE	15153-43003
C81	PP .259" 3.919" id 36T (stepped)	4th/5th/6th clutch	1	07-10	AE	15153-42503
FILTERS						
G85	Filter	6F50/6F55	1	09-11	9L8P-7G186-CB	15153-45004
BUSHINGS						
K13	Kit, bushing	bushing kit	1	07-10	AE	15153-50004
A90	Bushing, babbitt	turbine shaft to transfer support	1	07-10	n/a	15153-50804
A91	Bushing, babbitt	front transfer drive hub	1	07-10	n/a	15153-51004
A92	Bushing, teflon coated	rear transfer drive hub	1	07-10	n/a	15153-51104
B93	Bushing, babbitt	output sun gear shell	1	07-10	n/a	15153-51504
C95	Bushing, babbitt	reaction sun gear shell	1	07-10	n/a	15153-51804
C96	Bushing, teflon coated	front 4/5/6th clutch hub	1	07-10	n/a	15153-52004
C97	Bushing, teflon coated	rear 4/5/6th clutch hub	1	07-10	n/a	15153-52004
D99	Bushing, babbitt	3/5/reverse/4/5/6 clutch housing	1	07-10	n/a	15153-52504
WASHERS/BEARINGS/RACES/SHIMS						
K12	Kit, thrust bearing	6F50/6F55	1	07-10	AE	15153-55104
A109	Washer .064" 2.481" od 1 tab (plastic)	case half to pump drive gear	1	07-10	n/a	15153-56104
A110	Washer .094" 2.477" od 3 tabs (plastic)	pump drive gear to drive support	1	07-10	n/a	15153-56204
A113	Bearing, ball type	transfer gear	1	07-10	n/a	15153-56504
A116	TB .127" 2.033" od (inner lip)	transfer hub to transfer drive hub	1	07-10	n/a	15153-56704
A117	TB .127" 2.033" od (inner lip)	transfer hub to output sun gear/shell	1	07-10	n/a	15153-56704
B118	Bearing, thrust .182" 3.342" od	output shaft planetary to input planetary	1	07-10	n/a	15153-56804
B119	TB .117" 2.197" od (outer flange)	input sun gear to output planetary	1	07-10	n/a	15153-56904
B120	TB .173" 2.310" od (inner flange)	input sun gear to reaction planetary	1	07-10	n/a	15153-57004
B121	TB .112" 2.900" od (inner lip)	input planetary to reaction planetary	1	07-10	n/a	15153-57104
C123	TB .130" 2.036" od (inner lip)	4/5/6 clutch hub to reaction sun shell	1	07-10	n/a	15153-57504
C125	TB .130" 2.028" od (inner lip)	4/5/6 clutch hub to clutch housing	1	07-10	n/a	15153-57604
E126	TB .142" 2.868" od (3 outer tabs)	3/5/reverse/4/5/6 housing to case	1	07-10	n/a	15153-57904
F128	Bearing, cup/cone	pinion gear	1	07-10	322/321	15153-58504
F130	Bearing, cup/cone	pinion gear	1	07-10	322/321	15153-58504
F134	Bearing, cup/cone	front differential	1	07-10	NP26679	15153-58604
F136	Bearing, cup/cone	rear differential	1	07-10	n/a	15153-58704
G139	Washer .118" 2.231" od (1 long tab)	pump driven gear to case	1	07-10	n/a	15153-59204
n/i	Shim .025" 3.541" od	rear differential bearing	sel	07-10	n/a	15153-59004
SNAP RINGS						
A145	Snap ring .085" 6.050" od (w/taper)	bearing to transfer drive gear (taper up)	1	07-10	n/a	15153-62103
A146	Snap ring .057" 7.750" od	1/2/3/4 retainer	1	07-10	n/a	15153-62303
A147	Snap ring .118" 9.434" od	low/reverse sprag to case	1	07-10	n/a	15153-62403
B148	Snap ring .069" 5.783" od	output planetary to shell	1	07-10	n/a	15153-62503
B149	Snap ring .079" 6.450" od	ring gear to shell	1	07-10	n/a	15153-62703
B150	Snap ring .069" 5.303" od	ring gear to input planetary	1	07-10	n/a	15153-63003
B151	Snap ring .079" 5.570" od	ring gear to reaction planetary	1	07-10	n/a	15153-63403
C153	Snap ring .060" 5.449" od	clutch housing to pressure plate	1	07-10	n/a	15153-63603
C154	Snap ring .059" 5.201" od	4/5/6 pressure plate	1	07-10	n/a	15153-63803
D155	Snap ring .059" 2.665" od	4/5/6 spring retainer	1	07-10	n/a	15153-64003

ILL	DESCRIPTION	QTY	YEAR	REFERENCE #	PART #
SNAP RINGS (CONTINUED)					
D156	Snap ring .059" 5.027" od reluctor housing	1	07-10	n/a	15153-64203
E157	Snap ring .057" 10.050" od low/reverse retainer	1	07-10	n/a	15153-64603
E158	Snap ring .059" 6.402" od 2/6 retainer	1	07-10	n/a	15153-64903
F160	Snap ring .062" 1.562" id (tru-ark type) transfer gear to pinion shaft	1	07-10	n/a	15153-65203
PUMP PARTS AND PUMPS					
G163	Pump assembly casting #070240909	1	07-10	AE	15153-67003
n/i	Seal, round rubber slide to housing	1	07-10	n/a	15153-23904
n/i	Seal, flat plastic slide to housing	1	07-10	n/a	15153-24004
n/i	Ring, pump vanes separator 6F50/6F55	2	07-10	n/a	15153-32004
n/i	Sealing ring (solid cast iron) slide to housing	1	07-10	n/a	15153-32204
n/i	Vanes, pump 6F50/6F55	7	07-10	n/a	15153-70104
n/i	Slide, pump 6F50/6F55	1	07-10	n/a	15153-70304
n/i	Rotor, pump 6F50/6F55	1	07-10	n/a	15153-70504
n/i	Shaft, pump 6F50/6F55	1	07-10	n/a	15153-70704
n/i	Bushing, oil pump shaft (teflon coated) 6F50/6F55	1	07-10	n/a	15153-53004
n/i	Washer, spacer oil pump shaft to bearing	1	07-10	n/a	15153-60404
n/i	Bearing, caged type w/seal oil pump shaft	1	07-10	n/a	15153-60704
HARD PARTS					
A165	Gear, pump drive 37T 6F50/6F55	1	07-10	n/a	15153-72103
A166	Chain, pump drive .204" width 42 links 6F50/6F55	1	07-10	n/a	15153-72504
A167	Support, transfer drive gear casting #06L14176B2	1	07-10	n/a	15153-72803
A170	Rack, tube 6F50/6F55	1	07-10	n/a	15153-73103
A171	Gear, transfer drive 69T casting #06346 TC02A 032714	1	07-10	7T4P-7F342-AC	15153-73303
A172	Nut, spanner type bearing to drive support	1	07-10	n/a	15153-73503
A173	Hub, transfer drive gear 6F50/6F55	1	07-10	n/a	15153-73703
A175	Spring, return (diaphragm type) 1/2/3/4 clutch	1	07-10	n/a	15153-74003
B176	Gear, output sun w/shell clutch hub for 1/2/3/4 clutch brake	1	07-10	7T4P-7A282-AC	15153-74203
B177	Hub, drive shell drive for output planetary/input ring gear	1	07-10	n/a	15153-74503
B178	Planetary, output 5 pinion gears 29T 54 drive lugs 46 splines	1	07-10	n/a	15153-74703
B179	Gear, ring output planetary 98T 18 drive lugs	1	07-10	n/a	15153-75003
B180	Gear, sun input planetary 41T 32 splines (groove looks up)	1	07-10	n/a	15153-75203
B181	Gear, ring input planetary 99T 6F50/6F55	1	07-10	n/a	15153-75403
B183	Planetary, input 4 pinion gears 24T 99 drive teeth	1	07-10	n/a	15153-75703
B184	Gear, ring reaction planetary 12 drive lugs	1	07-10	n/a	15153-75903
B185	Planetary, reaction 3 pinion gears 32T 12 connecting lugs 3 sets of 8 drive lugs	1	07-10	n/a	15153-76303
C186	Gear, sun reaction w/shell 34T 2/6 clutch hub	1	07-10	n/a	15153-76503
C187	Hub, 4/5/6 clutch hub 3.19" oh 24 clutch teeth 45 splines	1	07-10	n/a	15153-76703
D188	Retainer, w/springs 4/5/6 clutch	1	07-10	n/a	15153-76903
D189	Piston, 4/5/6 clutch (aluminum) 4/5/6 clutch	1	07-10	n/a	15153-77103
D191	Housing, 3/5/reverse w/shaft 12.770 oh 4/5/6 clutch 12.770 oh	1	07-10	n/a	15153-77503
D192	Retainer, w/springs 4/5/6 clutch	2	07-10	n/a	15153-77703
D193	Housing, 4/5/6 clutch input reluctor wheel 36T	1	07-10	n/a	15153-77903
E195	Spring, return (diaphragm type) low/reverse clutch	1	07-10	n/a	15153-78103
E196	Spring, retainer 2/6 clutch	1	07-10	n/a	15153-78303
E197	Hub, housing support oil delivery sleeve	1	07-10	n/a	15153-78503
E198	Housing, end low/reverse piston housing	1	07-10	8A8P-7B332-AA	15153-78903
F199	Tube, lube 6.993" length 6F50/6F55	1	07-10	n/a	15153-79003
F200	Gear, transfer driven 68T 34 splines 6.450" od	1	07-10	7T4P-7H348-BF	15153-79103
F201	Gear, pinion w/shaft 18T 5.714" oh 34 splines (2 grooves park gear side)	1	07-10	n/a	15153-79303
F203	Gear, park 12 lugs 34 splines	1	07-10	n/a	15153-79603
F204	Differential assembly w/spider gears 2WD	1	07-10	n/a	15153-80003
F204	Differential assembly w/spider gears (AWD) 4WD	1	07-10	7T4P-7F4207-BE	15153-80103
F205	Gear, ring 62T (2-grooves)(AWD) 4WD	2	07-10	7T4P-7F343-BD	15153-80503



Electronic Solutions



96951U
AXOD/AXODE LOCK-UP
Fits 86-90 AXOD, 91 Only Taurus Only AXODE
21-36 Ohms, OEM Plug Compatible



96952
AODE/ AX4S/ AX4N EARLY MCCC
Fits 91-94 AODE, 93-97 AX4S, 95-96 AX4N
.98-1.6 Ohms, OEM Plug Compatible



96954
AX4S/ AX4N MCCC
Fits 98-04 AX4S, 97-07 AX4N
13-24 Ohms, OEM Plug Compatible



96953U
AXODE/ AX4S/ AX4N SHIFT
Fits 91-94 AXODE, 95-04 AX4S, 95-07 AX4N
15-25 Ohms, OEM Plug Compatible



K56836
A4LD LOCK-UP
Fits 85-95 A4LD
26-40 Ohms, OEM Plug Compatible



K56836A-B
A4LD SHIFT
Fits 87-95 A4LD
26-40 Ohms, OEM Plug Compatible



56837B
A4LD INTERNAL HARNESS
(CASE CONNECTOR)
Fits 87-95 A4LD



82840
ZFHP22 EPC
Fits 84-94 ZF4HP22, 88-94 ZF4HP24
3.5-4.66 Ohms, NOTE: 5 Solenoid Valve Body ONLY!!



82836
ZFHP22 SHIFT
Fits 84-94 ZF4HP22, 88-94 ZF4HP24
26-40 Ohms, NOTE: 5 Solenoid Valve Body ONLY!!



42930
KM SHIFT
Fits 85-98 KM-175/176/177/178, F4A21/22/23/33
20.8-23.8 Ohms

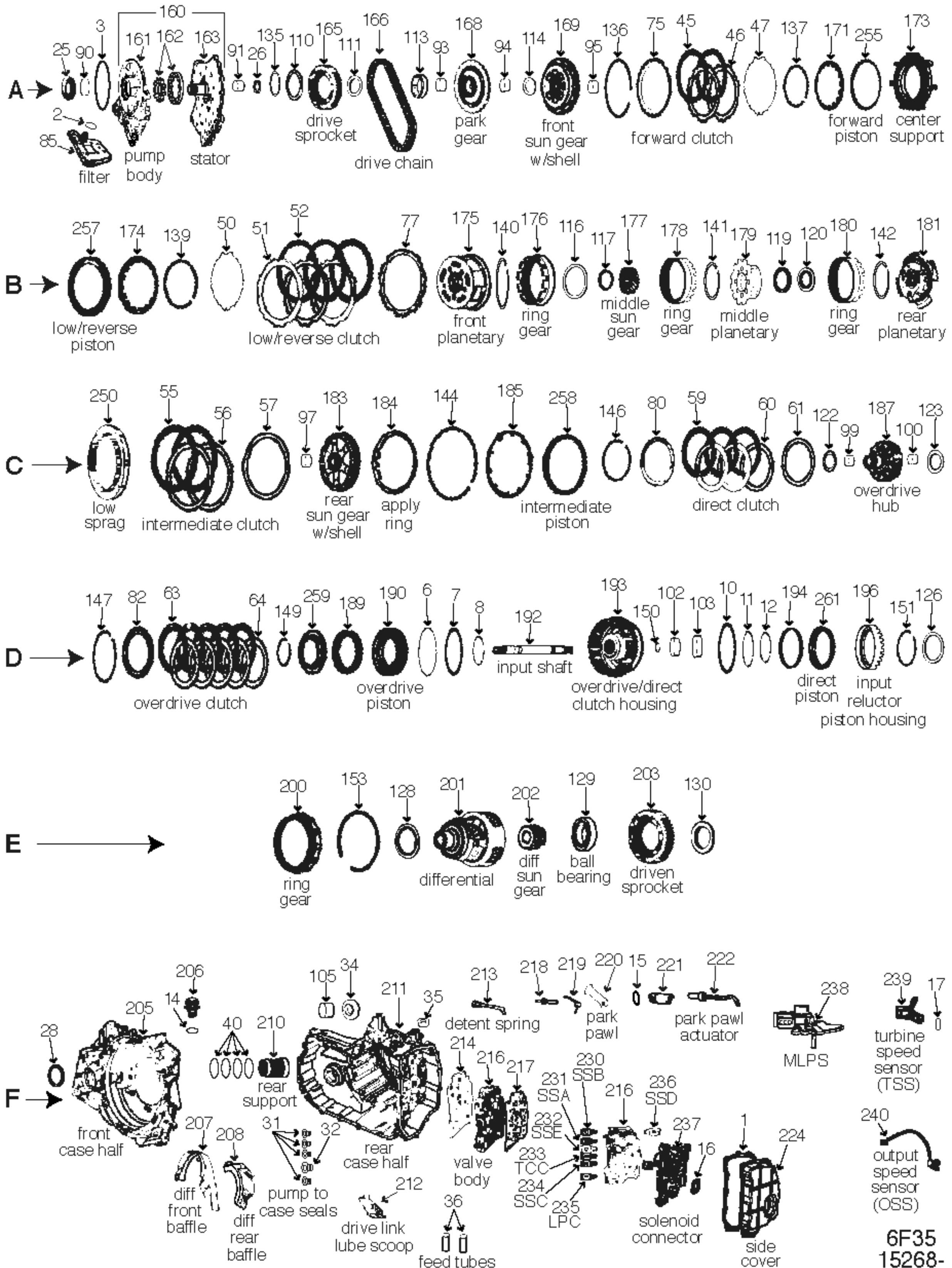


42935
KM EPC / EARLY DCC
Fits 85-98 KM-175/176/177/178, F4A21/22/23/33 EPC,
Fits 85-98 Hyundai Lock-up, 85-92 Mitsubishi Lock-Up
2.6-3.2 Ohms, NOT for 93 up MITSUBISHI IN DCC!!!



42936
KM LATE DCC
Fits 93-98 KM-175/176/177/178, F4A21/22/23/33
13-15 Ohms, Mitsubishi ONLY!!! NOT HYUNDAI!!!

Toll Free: 1.800.527.2544 • www.teckpak-fitzall.com



6F35
15268-

ILL	DESCRIPTION	QTY	YEAR	REFERENCE #	PART #	
TECHNICAL MANUALS						
K53	Tech manual 6F35 dis/assembly diagnosis/troubleshooting	1	09-11	n/a	010-235	
REBUILDER KITS						
K5	Master kit w/steels w/pistons	6F35	1	09-11	AE	15268-11004
K5	Master kit w/steels w/o pistons	6F35	1	09-11	AE	15268-11104
K6	Master kit w/o steels w/pistons	6F35	1	09-11	AE	15268-12004
K6	Master kit w/o steels w/o pistons	6F35	1	09-11	AE	15268-12104
K7	O/H gasket set w/seals-rings w/pistons	6F35	1	09-11	AE	15268-13004
K7	O/H gasket set w/seals-rings w/o pistons	6F35	1	09-11	AE	15268-13104
n/i	Kit, bonded piston	5 pistons	1	09-11	AE	15268-99504
VALVE BODY KITS						
K15	Kit, valve body repair	6F35	1	09-11	n/a	15268-17009
GASKETS AND RUBBER COMPONENTS						
F1	Gasket, side cover	6F35	2	09-11	n/a	15268-19004
A2	O'ring	filter	1	09-11	n/a	15268-22704
A3	O'ring	pump body to case half	1	09-11	n/a	15268-21004
D6	D'ring	front od direct clutch housing	1	09-11	n/a	15268-21504
D7	D'ring	middle od direct clutch housing	1	09-11	n/a	15268-21604
D8	D'ring (orange coating)	end/od direct clutch housing	1	09-11	n/a	15268-21704
D10	D'ring	od clutch inner	1	09-11	n/a	15268-21804
D11	D'ring	od clutch outer	1	09-11	n/a	15268-21904
D12	D'ring	od clutch outer (blue coating)	1	09-11	n/a	15268-22004
F14	O'ring	cooler line fittings	2	09-11	n/a	15268-22504
F15	O'ring	park rod cylinder	1	09-10	n/a	15268-22904
F16	Gasket, rubber grommet	wiring harness to side pan	1	09-11	n/a	15268-89604
F17	O'ring	turbine speed sensor	1	09-11	n/a	15268-23104
METAL CLAD SEALS						
A25	Seal, metal clad	front pump (F264H)	1	09-11	9L8P-7A248-AA	15268-30104
A26	Seal, metal clad	turbine shaft	1	09-11	n/a	15268-30504
F28	Seal, metal clad	input (AWD)	1	09-11	9L8P-1177-AA	15268-30404
F31	Seal, metal clad	front case half to rear case half (small)	4	09-11	n/a	15268-30704
F32	Seal, metal clad	front case half to rear case half (large)	1	09-11	n/a	15268-30804
F34	Seal, metal clad	left axle	1	09-11	n/a	15268-30304
F34	Seal, metal clad	left axle	1	09-11	9L8P-7H260-BA	15268-30204
F35	Seal, metal clad	manual shift shaft	1	09-11	8614709	51202A
F36	Seal, metal clad (rubber tubes)	valve body to center support	2	09-11	n/a	15268-30604
SEALING RINGS						
F40	Sealing ring (teflon solid)	od direct clutch housing	4	09-11	n/a	15268-33504
CLUTCH PLATES						
A45	Friction .073" 8.559" od 36T	forward clutch	2	09-11	n/a	15268-35104
A46	Steel .068" 7.400" id 12T	forward clutch	2	09-11	n/a	15268-37504
A47	Steel .038" 7.500" id 5T (waved)	forward clutch (cushion)	1	09-11	n/a	15268-40104
B50	Steel .038" 7.664" id 5T (waved)	low/reverse clutch	1	09-11	n/a	15268-40204
B51	Steel .038" 7.664" id 12T	low/reverse clutch	3	09-11	n/a	15268-37704
B52	Friction .060" 8.500" od 48T	low/reverse clutch	3	09-11	n/a	15268-35304
C55	Friction .073" 8.559" od 36T	intermediate clutch	2	09-11	n/a	15268-35104
C56	Steel .133" 7.445" id 15T	intermediate clutch	2	09-11	n/a	15268-37904
C57	Steel .038" 8.669" od (waved)	intermediate clutch (cushion)	1	09-11	n/a	15268-40404
C59	Friction .062" 5.701" id 36T	direct clutch (external teeth)	3	09-11	n/a	15268-35504
C60	Steel .132" 6.884" od 24T	direct clutch (internal teeth)	3	09-11	n/a	15268-38104
C61	Steel .034" 6.750" od 24T (waved)	direct clutch (cushion)(internal teeth)	1	09-11	n/a	15268-40504
D63	Friction .062" 4.795" od 24T	overdrive clutch	5	09-11	n/a	15268-35704
D64	Steel .067" 3.783" id 24T	overdrive clutch	5	09-11	n/a	15268-38304

ILL	DESCRIPTION	QTY	YEAR	REFERENCE #	PART #
PRESSURE PLATES					
A75	Pressure plate .321" 7.445" id 19T forward clutch	1	09-11	AE	15268-41103
B77	Pressure plate .207" 7.600" id 12T low/reverse clutch	1	09-11	AE	15268-42003
C80	Pressure plate .251" 6.800" od 24T direct clutch (internal teeth)	1	09-11	AE	15268-42503
D82	Pressure plate .222" 3.768" id 24T overdrive clutch (stepped)	1	09-11	AE	15268-43003
FILTERS					
A85	Filter 6F35	1	09-11	9L8P-7G186-C	15268-45004
BUSHINGS					
K13	Kit, bushing 6F35	1	09-11	AE	15268-50104
A90	Bushing pump body	1	09-11	n/a	15268-50604
A91	Bushing inner pump support	1	09-11	n/a	15268-50704
A93	Bushing front park gear	1	09-11	n/a	15268-50804
A94	Bushing rear park gear	1	09-11	n/a	15268-50804
A95	Bushing, teflon coated front sun gear/shell	1	09-11	n/a	15268-51004
C97	Bushing rear sun gear/shell	1	09-11	n/a	15268-51104
C99	Bushing front overdrive clutch hub	1	09-11	n/a	15268-51204
C100	Bushing rear overdrive clutch hub	1	09-11	n/a	15268-51204
D102	Bushing front overdrive/direct housing	1	09-11	n/a	15268-51504
D103	Bushing rear overdrive/direct housing	1	09-11	n/a	15268-51604
F105	Bushing, teflon coated case (axle shaft support)	1	09-11	n/a	15268-52004
WASHERS/BEARINGS/RACES/SHIMS					
K12	Kit, thrust bearing 6F35	1	09-11	n/a	15268-55104
A110	TW .083" 4.098" od 3 tabs (plastic) drive sprocket to park gear	1	09-11	9L8P-7G099-AA	15268-56204
A111	Bearing, thrust .148" 1.828" od park gear to pump support	1	09-11	n/a	15268-56404
A113	Bearing, caged type park gear to pump support	1	09-11	n/a	15268-56504
A114	TB .139" 2.018" od (inside lip) front sun gear/shell to park gear	1	09-11	n/a	15268-56604
B116	Bearing, thrust .134" 4.268" od front planetary to middle planetary	1	09-11	n/a	15268-56904
B117	TB .147" 2.155" od (outside cone lip) front planetary to middle sun gear	1	09-11	n/a	15268-57004
B119	Bearing, thrust .144" 2.604" od middle planetary to rear planetary	1	09-11	n/a	15268-57204
B120	TB .152" 2.019" od (inside cone lip) middle sun gear to rear planetary	1	09-11	n/a	15268-57304
C122	Bearing, thrust .148" 1.828" od overdrive hub to rear sun gear/shell	1	09-11	n/a	15268-56404
C123	Bearing, thrust .148" 1.828" od overdrive hub to overdrive/direct housing	1	09-11	n/a	15268-56404
D126	Bearing, thrust .147" 2.917" od overdrive/direct housing to case	1	09-11	n/a	15268-58104
E128	TB .147" 2.804" od (inner lip) differential carrier to case	1	09-11	n/a	15268-58504
E129	Bearing, ball type driven sprocket to differential carrier	1	09-11	F-806192 (Fag)	15268-58704
E130	TB .189" 2.632" od (inner lip) driven sprocket to case	1	09-11	n/a	15268-59004
SNAP RINGS					
A135	Snap ring .058" 3.679" od drive sprocket to park gear	1	09-11	AE	15268-62103
A136	Snap ring .135" 9.757" od (tapered) center support to case (taper goes up)	1	09-11	AE	15268-62603
A137	Snap ring .058" 6.554" od forward retainer spring (diaphragm)	1	09-11	AE	15268-63003
B139	Snap ring .056" 6.400" od low/reverse retainer spring (diaphragm)	1	09-11	AE	15268-63403
B140	Snap ring .078" 5.842" od front ring rear to front planetary	1	09-11	AE	15268-63803
B141	Snap ring .097" 5.105" od middle ring gear to middle planetary	1	09-11	AE	15268-64203
D142	Snap ring .097" 5.110" od .125" wide rear ring gear to rear planetary	1	09-11	AE	15268-64303
C144	Snap ring .082" 9.500" od intermediate retainer spring (diaphragm)	1	09-11	AE	15268-64403
C146	Snap ring .057" 6.000" od (true arc) direct clutch pressure plate to housing	1	09-11	AE	15268-64503
D147	Snap ring .058" 5.005" od overdrive clutch pressure plate	1	09-11	AE	15268-64803
D149	Snap ring .059" 2.661" od overdrive clutch retainer spring	1	09-11	AE	15268-65103
D150	Snap ring .039" .777" od turbine shaft to overdrive/direct housing	1	09-11	AE	15268-65403
D151	Snap ring .058" 5.200" od direct piston housing to od/direct housing	1	09-11	AE	15268-66003
E153	Snap ring .118" 7.000" od (tapered) differential ring gear to case (taper up)	1	09-11	AE	15268-66503

ILL	DESCRIPTION	QTY	YEAR	REFERENCE #	PART #	
PUMP PARTS AND PUMPS						
A160	Pump assembly	6F35	1	09-11	AE	15268-67003
A161	Body, pump w/gears	080209 B	1	09-11	9L8P-7A103-BA	15268-67503
A162	Gear, pump .495" 3.566" od	6 lobes on inner 8 lobes on outer	1	09-11	AE	15268-68104
A163	Support, pump	08059EXXDA000187	1	09-11	9L8P-7A103-BA	15268-68503
HARD PARTS						
A165	Sprocket, drive .933" 54 splines 45T	6F35	1	09-11	AE	15268-72303
A166	Chain, drive 1.050" w 41 links	6F35	1	09-11	n/a	15268-72504
A168	Gear, park/shaft 1.942"L 43 splines 24T	6F35	1	09-11	AE	15268-72703
A169	Gear, front sun w/shell 2.129" od 37T	forward clutch hub	1	09-11	AE	15268-73003
A171	Spring, diaphragm 7.700" od 16 fingers	6F35	1	09-11	AE	15268-73403
A173	Support, center	forward/low/reverse clutch housing	1	09-11	9L8P-7G033-AG	15268-73503
B174	Spring, diaphragm 7.810" od 16 fingers	6F35	1	09-11	AE	15268-73703
B175	Planetary, front (4/23T pinion gears)	43 splines (casting #02608 006650)	1	09-11	AE	15268-73803
B176	Gear, rear ring	1.056" height 5.921" od 103T	1	09-11	AE	15268-74103
B177	Gear, middle sun .750" 2.179" od 41T	31 splines	1	09-11	AE	15268-74303
B178	Gear, ring middle planetary	1.331" height 5.139" od 83T	1	09-11	AE	15268-74603
B179	Planetary, middle (5/24T pinion gears)	casting #08087014830	1	09-11	AE	15268-74803
B180	Gear, ring middle planetary	1.115" height 5.136" od 89T	1	09-11	AE	15268-75103
B181	Planetary, rear (4/34T pinion gears)	casting #08 105 000250	1	09-11	AE	15268-75403
C183	Gear, sun rear planetary 35T	direct clutch hub	1	09-11	AE	15268-75703
C184	Ring, apply .653" oh height 8.116" od	intermediate clutch	1	09-11	AE	15268-75903
C185	Spring, diaphragm .063" 11 fingers	intermediate clutch (8.665" od)	1	09-11	AE	15268-76203
C187	Hub, overdrive clutch	2.755" height 38 splines 24T	1	09-11	AE	15268-76403
D189	Retainer, w/springs .688" height 4.230" od	overdrive clutch	1	09-11	AE	15268-76603
D190	Piston, overdrive 1.112" oh height	overdrive clutch	1	09-11	AE	15268-76803
D192	Shaft, turbine 10.665" oh length	6R35	1	09-11	AE	15268-77103
D193	Housing, overdrive/direct clutch	2.692" oh height	1	09-11	9L8P-7J250-AA	15268-77403
D194	Retainer, w/springs .823" oh 5.974" od	direct clutch	1	09-11	AE	15268-77803
D196	Housing, direct piston/input reductor 36T	1 tab	1	09-11	AE	15268-78103
E200	Gear, ring diff 1.377" thickness 101T	12 case lugs	1	09-11	AE	15268-78403
E201	Carrier, differential 4 pinion gears 32T	w/spider gears	1	09-11	7K02	15268-78703
E202	Gear, sun differential 2.051" oh length	2.349" od 50 splines	1	09-10	AE	15268-79103
E203	Sprocket, driven 49 splines 44T	1 blank spline	1	09-11	AE	15268-79403
F205	Case, front half (AWD)	6F35	1	09-11	RF9L8P-7976-CE	15268-80503
F206	Fitting, cooler line	6F35	2	09-11	AE	15268-81503
F207	Baffle, oil diff/drive chain (plastic)	6F35	1	09-11	9L8P-7H245-AD	15268-81803
F208	Baffle, oil diff/drive chain (metal)	has molded rubber on it	1	09-11	9L8P-7G351-BA	15268-81904
F210	Support, overdrive/direct housing	oil delivery sleeve	1	09-11	AE	15268-82003
F211	Case, rear half (AWD)	0860820482790 sole strategy/3DE6879 body	1	09-11	9L8P-7000-FA	15268-82503
F212	Scoop, lube drive chain	6F35	1	09-11	9L8P-7J387-CA	15268-82903
F213	Spring, detent w/roller	6F35	1	09-11	AE	15268-83003
F214	Plate, upper valve body	w/bonded gaskets	1	09-11	9L8P-7J236-AC	15268-83204
F216	Body, valve w/solenoids	6F35	1	09-11	9L8P-7A092-CA	15268-83403
F217	Plate, lower valve body	w/bonded gaskets	1	09-11	n/a	15268-83504
F218	Pin, park	6F35	1	09-11	AE	15268-84103
F219	Spring, park pawl	6F35	1	09-11	AE	15268-84203
F220	Pawl, park	6F35	1	09-11	9L8P-7A441-AC	15268-84303
F221	Housing, park rod	6F35	1	09-11	AE	15268-84403
F222	Rod, park	6F35	1	09-11	AE	15268-84503
F224	Pan, side cover (13 bolts)	6F35	1	09-11	AE	15268-84803
n/i	Valve, thermal bypass valve assembly	under valve body spring looks up	1	09-11	AE	15268-84903

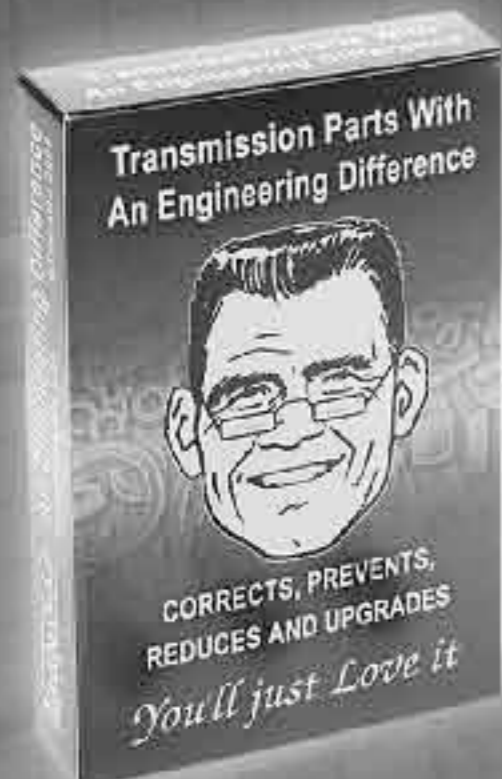
NEW FROM TRANSGO®

SK® AWF21

Reduces/Corrects/Prevents

Rough shifts, Bump-Bump downshifts above 30 mph hot, Part throttle downshift bang, Flares during up-shifts & kick-down, Rough coast downshifts. No pressure rise, TCC slip/shudder. Poor shift quality.

Fits: 05-06 Ford Fusion & 500, 05-06 Mazda 6
06 Lincoln Zephyr, 06 Mercury Milan,
05-06 Mercury Montego



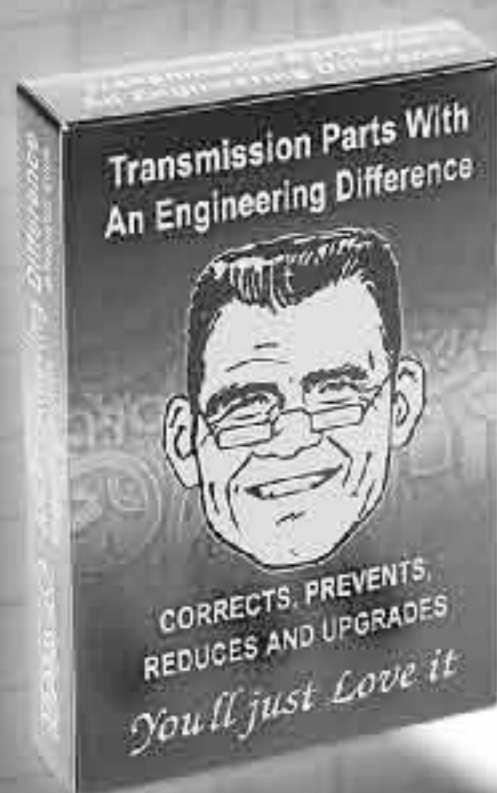
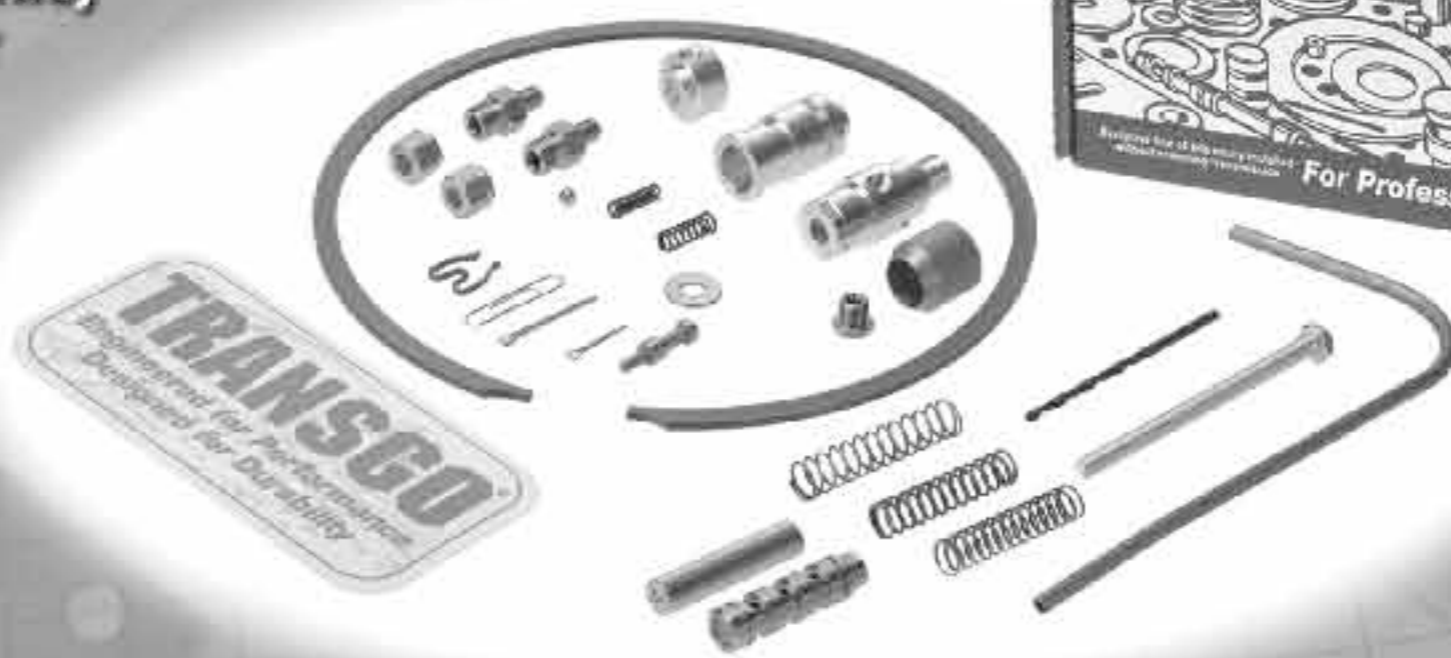
5R110W-HD2 Reprogramming Kit™

Reduces/Corrects/Prevents

Case Lugs Blow Out-Runaway Reverse Pressure Slips or No Reverse-Neutrals at stop sign. Adds capacity for upgrade engine HP & Towing.

Fits:

Ford Trucks
From 2003-2007.
Does Not Fit 2008-2009.



U151-23-SR

Reduces/Corrects/Prevents

Your fixing Shuttle or Bind-up 2-3 Shift: Caused by the Direct Clutch Control Valve sticking or binding in the bore.

Fits:

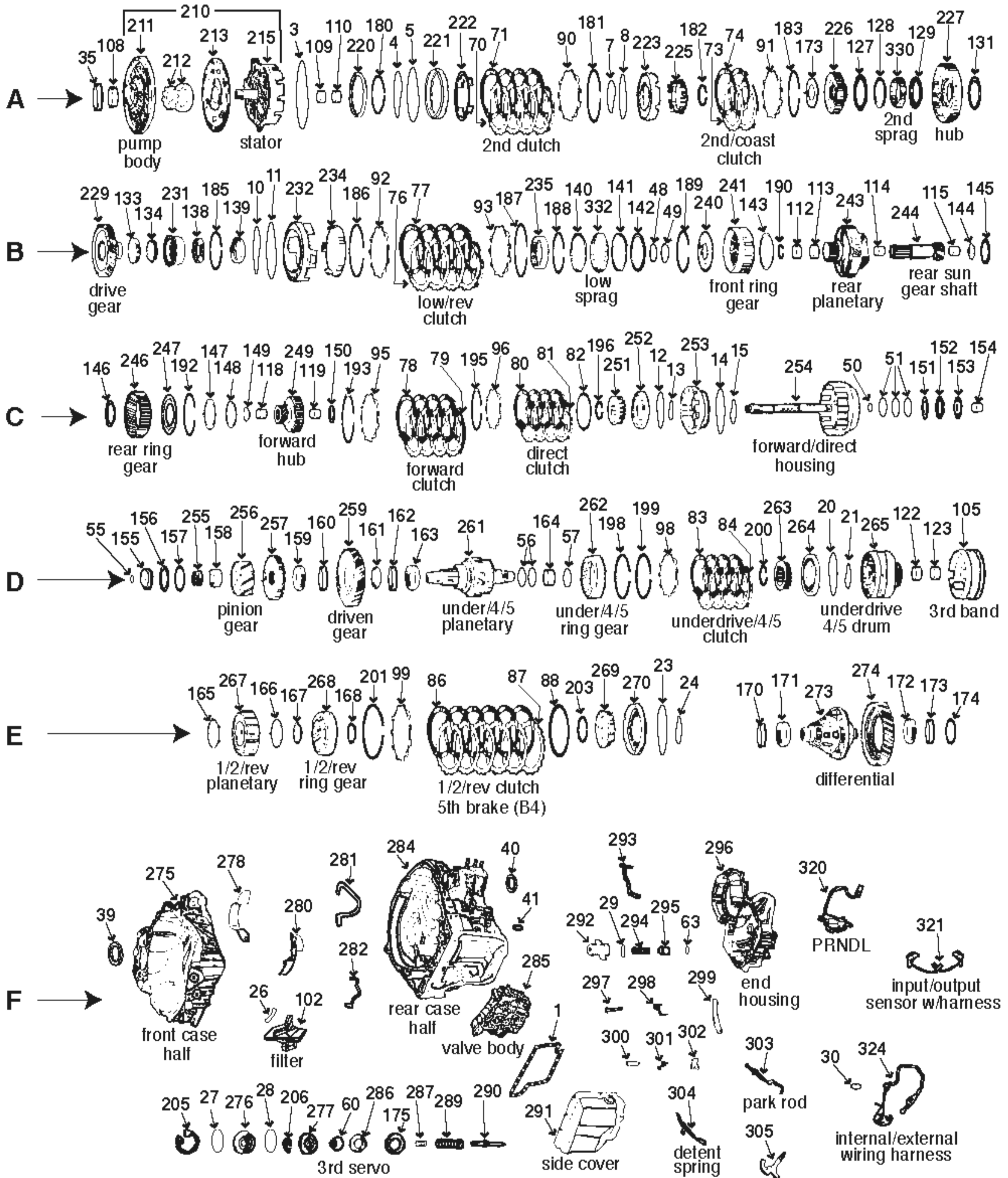
Toyota 5spd: Avalon 06-07, Camry 3.0 & 3.3L 04-06
Highlander 3.3 & 3.5L 04-08, Rav-4 3.5L 07-08
Sienna 3.3 & 3.5L 04-08, Solara 3.3L 04-07
Lexus 5spd: ES330 3.3L 04-06, RX330 3.3L 04-06, RX350 3.5L 07-08

It just ain't FIXED without it!



Product Support
626-443-7451





AW55-50SN/AW55-51SN/AF23/AF33/RE5F22A

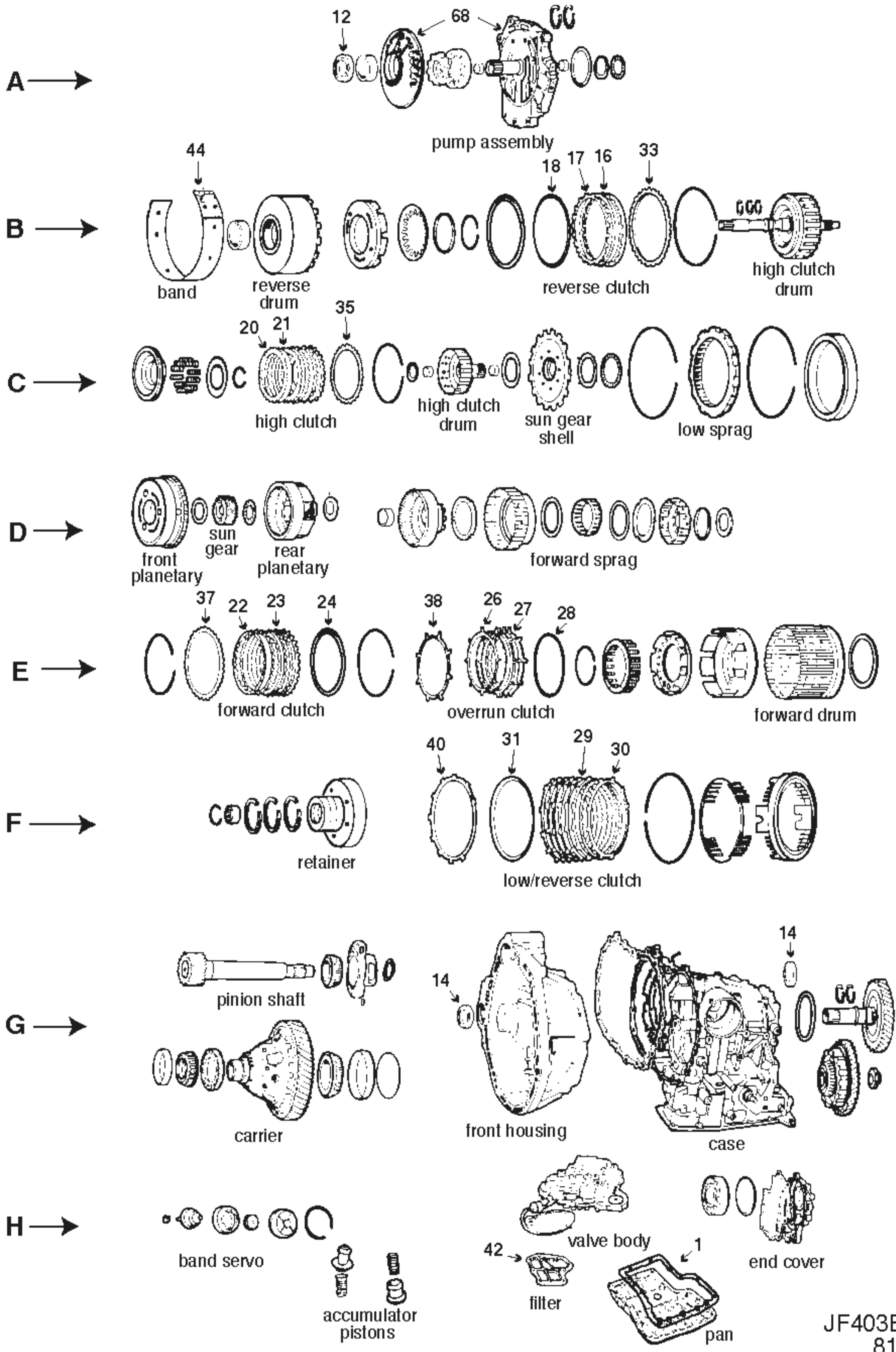
97249-

ILL	DESCRIPTION		QTY	YEAR	REFERENCE #	PART #
TECHNICAL MANUALS						
K53	Tech manual AW55-50SN	preliminary information	1	01-09	AW55-50SN	010-476
REBUILDER KITS						
K4	Master deluxe rebuild kit	AW55-50SN/AF23/33-5/RE5F22A	1	01-04	AE	97249-10104
K4	Master deluxe rebuild kit	AW55-50SN/AF23/33-5/RE5F22A	1	05-09	AE	97249-10114
K5	Master kit w/steels	AW55-50SN/AF23/33-5/RE5F22A	1	01-04	AE	97249-11104
K5	Master kit w/steels	AW55-50SN/AF23/33-5/RE5F22A	1	05-09	AE	97249-11114
K6	Master kit w/o steels	AW55-50SN/AF23/33-5/RE5F22A	1	01-04	AE	97249-12104
K6	Master kit w/o steels	AW55-50SN/AF23/33-5/RE5F22A	1	05-09	AE	97249-12114
K7	O/H gasket set w/seals-rings	AW55-50SN/AF23/33-5/RE5F22A	1	01-04	FDB-2455	97249-13104
K13	Kit, valve body gaskets	AW55-50SN/AF23/33-5/RE5F22A	1	01-09	FDB-4779	97249-16004
VALVE BODY KITS						
K15	Shift Kit® fix bang dr engage/TCC slip	4-3/3-2 clunk/2-3/3-4 loose/kick down	1	01-08	n/a	97249-17009
GASKETS AND RUBBER COMPONENTS						
F1	Gasket, valve body cover (Duraprene®)	AW50-50SN/AF33-5/AF23-5	1	01-09	FDB-11386	97249-19104
A3	O'ring	pump to case	1	01-09	90348756	97248-21104
F30	O'ring	case connector	1	01-09	9495014-4	13822
n/i	O'ring	Volvo AW50-50SN (speed sensors)	2	01-09	94385669	93234-23804
n/i	O'ring	Saturn AF23-5 (speed sensors)	2	02-04	24220733	13767
n/i	O'ring	AW50-50SN/AF33-5/AF23-5 (filler tube)	1	01-09	9495026-8	97249-23904
n/i	O'ring	Volvo (seal filler tube)	1	01-09	1397983-6	97249-24004
n/i	O'ring	Volvo (axle shaft seals)	2	01-09	8632036-3	13989
n/i	O'ring	Volvo (seal axle splines)	2	01-09	FDB-33225	97249-24204
n/i	Seal	Saturn	2	02-04	FDB-32748	23529
METAL CLAD SEALS						
A35	Seal, metal clad	front	1	01-09	90348749	46200
F39	Seal, metal clad	Volvo right side axle	1	01-09	9495018-5	97249-30204
F39	Seal, metal clad	Saturn AWD right axle seal	1	02-03	FDB-37004	90249-30404
F40	Seal, metal clad	Opel left/right, Saturn left 2WD axle side	1/2	02-04	90342143	51201
F40	Seal, metal clad	Volvo left, Nissan left/right side axle	1/2	01-09	6843112-1	97248-30104
F41	Seal, metal clad 12x22x7mm	manual lever shaft	1	01-09	3520746-3	46202
SEALING RINGS						
K10	Kit, sealing ring	AW50-50SN/AF33-5/AF23-5	1	01-09	FDB-3484	97249-31504
C50	Ring, sealing	forward/direct housing to end cover	1	01-09	90348782	97249-33204
C51	Ring, sealing	input housing to end cover	3	01-09	90512224	97249-33304
D55	Ring, sealing	planetary lube ring	1	01-09	94844768	97249-33504
D56	Ring, sealing	planetary shaft to 4/5 housing (front)	2	01-09	FDB-21840	97249-33704
D57	Ring, sealing	end housing to planetary shaft (rear)	1	01-09	FDB-21839	97249-33904
F63	Ring, sealing	forward accumulator	2	01-09	9143582-6	97249-34204
CLUTCH PLATES						
A70	Steel .071" 5.538" id 10T	2nd clutch (B2)	4	01-09	110707B-180	97248-37704
A70	Steel .098" 5.661" id 10T	2nd clutch (B2)	2/3	01-09	24224385	97248-37604
A70	Steel .158" 3.582" id 8T	2nd clutch (B2)	2	01-09	MGW-79170	97249-37904
A70	Steel .142" 5.538" id 10T	2nd clutch (B2)	1	01-09	MGW-79038	97249-37504
A71	Friction .067" 6.302" od 40T	2nd clutch (B2)	4	01-04	24220537	97248-35704
A71	Friction .075" 6.302" od 40T	2nd clutch (B2)	4	05-09	110704A-190	97248-35804
A73	Steel .071" 3.582" id 8T	coast clutch (B1)	3	01-09	24220531	97248-38104
A74	Friction .067" 4.260" od 34T	coast clutch (B1)	3	01-04	24220532	97248-36304
A74	Friction .068" 4.255" od 34T	coast clutch (B1)	3	05-09	110700B-175	97249-35404
B76	Steel .071" 5.657" id 13T	low/reverse clutch (B3)	3/5	01-09	24220500	97249-38204
B77	Friction .067" 6.302" od 33T	low/reverse clutch (B3)	4/5	01-04	90348808	97248-35604
B77	Friction .067" 6.302" od 33T	low/reverse clutch (B3)	5	05-09	90348796	97248-35614
C78	Friction .068" 5.375" od 49T	forward clutch (C1)	4	01-09	24220650	97249-36204
C79	Steel .077" 4.491" id 12T	forward clutch (C1)	4	01-09	90542937	97248-38804

AW55-50SN•AF33-5•AF23-5• RE5F22A•AW235

AW55-50SN•AF33-5•AF23-5• RE5F22A•AW235

ILL	DESCRIPTION		QTY	YEAR	REFERENCE #	PART #
CLUTCH PLATES (CONTINUED)						
C80	Friction .068" 4.255" od 34T	direct clutch (C2)	4	01-04	110700B-175	97249-35404
C80	Friction .059" 4.255" od 34T	direct clutch (C2)	4	05-09	24228586	97249-35414
C81	Steel .071" 3.582" id 12T	direct clutch (C2)	4	01-09	90348774	97248-39004
D83	Friction .067" 4.482" od 34T	underdrive/4th/5th clutch (C3)	4	01-04	110700A-170	97248-36404
D83	Friction .059" 4.482" od 34T	underdrive/4th/5th clutch (C3)	4	05-09	110700A-150	97249-37004
D84	Steel .071" 3.582" id 18T	underdrive/4th/5th clutch (C3)	4	01-09	110701A-180	97248-39104
E86	Friction .068" 5.551" od 47T	5th brake (B4)(1st/2nd/reverse clutch)	6	01-09	24220563	97249-37204
E87	Steel .071" 4.898" id 12T	5th brake (B4)(1st/2nd/reverse clutch)	6	01-09	24220562	97249-39304
PRESSURE PLATES						
A90	Pressure plate .150" 5.540" id 10T	2nd clutch	1	01-09	AE	97249-41103
A91	Pressure plate .150" 4.491" id 12T	2nd coast clutch	1	01-09	AE	97248-41703
B92	Pressure plate .093" 5.655" id 13T	low/reverse clutch (apply)	1	01-09	AE	97249-41403
B92	Pressure plate 5.660" id 13T	low/reverse clutch (apply)	0	01-09	AE	97249-41503
B93	Pressure plate 4.890" id 12T	low/reverse clutch (backing)	0	01-09	AE	97249-41803
C95	Pressure plate	forward clutch	1	01-09	AE	97248-41503
C95	Pressure plate .205" 12T	forward clutch	1	01-09	AE	97249-42103
C96	Pressure plate	direct clutch	1	01-09	AE	97248-41103
D98	Pressure plate 3.590" id 18T	4th/5th clutch	0	01-09	AE	97249-43003
FILTERS						
F102	Filter	AW55-50SN (non serviceable)	1	01-09	24220578	97249-45004
BANDS						
D105	Band, double wrap	AW55-50SN (3rd gear)	1	01-09	APC-159940	97249-47604
BUSHINGS						
K13	Kit, bushing	AW50-50SN/AF33-5/AF23-5	1	01-09	n/a	97249-50104
A108	Bushing	AW50-50SN/AF33-5/AF23-5 (pump body)	1	01-09	n/a	46001
PUMP PARTS AND PUMPS						
A210	Pump, assembly	AW50-50SN/AF33-5/AF23-5	1	01-09	AE	97249-67003
A211	Pump, body w/gears	AW50-50SN/AF33-5/AF23-5	1	01-09	AE	97249-68003
A213	Pump, plate	AW50-50SN/AF33-5/AF23-5	1	01-09	AE	97249-68903
A215	Pump, stator	AW50-50SN/AF33-5/AF23-5	1	01-09	AE	97249-70003
HARD PARTS						
B229	Gear, drive transfer	AW50-50SN/AF33-5/AF23-5	1	01-09	AE	97249-73603
B241	Gear, rear planetary ring (front)	AW50-50SN/AF33-5/AF23-5	1	01-09	AE	97249-74903
B243	Planetary, rear	AW50-50SN/AF33-5/AF23-5	1	01-09	AE	97249-75203
B244	Gear, rear sun	AW50-50SN/AF33-5/AF23-5	1	01-09	AE	97249-75503
C246	Rear, planetary ring gear	AW50-50SN/AF33-5/AF23-5	1	01-09	AE	97249-75803
D259	Gear, driven transfer	AW50-50SN/AF33-5/AF23-5	1	01-09	AE	97249-78103
D261	Planetary, 4th/5th	AW50-50SN/AF33-5/AF23-5	1	01-09	AE	97249-78403
D262	Gear, 4th/5th/underdrive ring	AW50-50SN/AF33-5/AF23-5	1	01-09	AE	97249-78603
D265	Drum, 4th/5th/underdrive	AW50-50SN/AF33-5/AF23-5	1	01-09	AE	97249-79303
E267	Planetary, 1st/2nd/reverse	AW50-50SN/AF33-5/AF23-5	1	01-09	AE	97249-79603
E268	Gear, 1st/2nd/reverse ring	AW50-50SN/AF33-5/AF23-5	1	01-09	AE	97249-79903
E273	Differential, w/spider gears w/o ring gear	AW50-50SN/AF33-5/AF23-5	1	01-09	AE	97249-80603
E274	Gear, ring and pinion	AW50-50SN/AF33-5/AF23-5	1	01-09	AE	97249-81003
ELECTRICAL COMPONENTS						
F320	Switch, PRNDL	AW55-50SN	1	01-09	n/a	97249-85004
F320	Switch, PRNDL	AW55-51SN	1	01-09	n/a	97249-85104
F321	Sensor	AW55-50SN (input/output w/harness)	1	01-09	n/a	97249-85404
F324	Harness, internal/external wiring	AW55-50SN	1	01-09	n/a	97249-85804
F324	Harness, internal/external wiring	AW55-51SN	1	01-09	n/a	97249-86004
n/i	Sensor	AW55-51SN (input/output w/o harness)	2	01-09	93191689	97249-91204
n/i	Solenoid	AW55-51SN (4/5th shift) (S4)	1	01-09	n/a	97249-91404
n/i	Solenoid	AW55-50SN (shift pressure control)	1	01-09	n/a	97249-91604



JF403E/LJ4A-EL
81000

ILL	DESCRIPTION	QTY	YEAR	REFERENCE #	PART #	
REBUILDER KITS						
K5	Master kit w/steels	JF403E	1	90-93	AE	K8100
K5	Master kit w/steels	LJ4A-EL	1	95-02	AE	K8100A
K6	Master kit w/o steels	JF403E	1	90-93	AE	K8100-LS
K6	Master kit w/o steels	LJ4A-EL	1	95-02	AE	K8100A-LS
K7	O/H gasket set w/seals-rings	all	1	90-02	AE	K81900
VALVE BODY KITS						
K15	Shift Kit@ JF403E/LJ4AEL	improved shift and high temp rings	1	90-02	SK@ LJ4AEL	K81908
K15	Reprogramming Kit™ (trick valve)	JF403E/LJ4A-EL (hot rod/street showoff)	1	90-02	LJ4AEL-HD2	LJ4AEL-HD2
GASKETS AND RUBBER COMPONENTS						
H1	Gasket, oil pan	neoprene/cork	1	90-93	94385731	13146X
H1	Gasket, oil pan	Duraprene®	1	90-93	94385731	13146D
H1	Gasket, oil pan	neoprene/cork	1	95-02	n/a	13146AX
H1	Gasket, oil pan	Duraprene®	1	95-02	n/a	13146AD
n/i	Gasket	pump to case	1	90-02	97032223	23396
n/i	O'ring	pump to case	1	90-02	31526-80X00	23086
n/i	O'ring	output speed sensor	1	90-02	31526-41X05	23083
n/i	O'ring	turbine shaft	1	90-02	31526-80X01	23085
n/i	Seal	low/reverse (feed)	1	90-02	94355683	23033
n/i	Seal	valve body to case	4	90-02	31528-31X06	23034
METAL CLAD SEALS						
A12	Seal, metal clad	LJ4A-EL/JF403E (front)	1	90-02	94385707	81200
G14	Seal, metal clad	Geo/Isuzu (left/right axle)	2	90-93	97070182	51201
G14	Seal, metal clad	Mazda (left/right axle)	2	90-02	F003-27-238A	63201
SEALING RINGS						
K10	Kit, sealing ring (complete)	JF403E	1	90-02	AE	K81300
CLUTCH PLATES						
B16	Friction .063" 5.480" od 28T	reverse clutch	2	90-02	94385871	90100
B17	Steel .071" 4.957" id 30T	reverse clutch	2	90-02	94385872	90101
B18	Steel, dished	reverse clutch	1	90-02	94385873	90111-R
C20	Friction .063" 4.415" od 20T	JF403E (high clutch)	4	90-93	94385851	81104
C20	Friction .063" 4.415" od 21T (not in kit)	LJ4A-EL (high clutch)	4	90-94	31532-80X05	90102
C20	Friction .063" 4.415" od 24T	LJ4A-EL (high clutch)	4	94-02	FX02-19-550	90102A
C21	Steel .087" 5.686" id 28T	high clutch	5	90-92	94385852	81105
C21	Steel .087" 5.686" id 28T	high clutch	1	92-93	94385852	81105
C21	Steel .079" 4.686" id 28T	high clutch	6	92-93	97043655	81105A
C21	Steel .055" 4.686" id 28T	high clutch	ar	90-93	n/a	81105B
C21	Steel .055" 3.615" id 28T	high clutch	6	95-02	FX01-19-334	90103
C21	Steel .079" 4.686" id 28T	high clutch	1	95-02	FX01-19-499	90103A
E22	Friction .063" 5.425" od 32T	forward clutch	5	90-93	94385824	90104
E22	Friction .055" 3.615" id 52T	forward clutch	6	95-02	FX01-19-590A	90104A
E23	Steel .071" 4.925" id 32T	forward clutch	5	90-93	94385825	90105
E23	Steel .055" 4.928" id 32T	forward clutch	6	95-02	FX01-19-561	90105A
E24	Steel, dished	forward clutch	1	90-02	94385832	90115-R
E26	Friction .063" 4.940" od 20T	overrun clutch	3	90-02	94385834	90106
E27	Steel .063" 4.450" id 8T	overrun clutch	3/5	90-02	94387815	90107
E28	Steel, dished	overrun clutch	1	90-02	94385833	90117-R
F29	Friction .063" 6.445" od 32T	low/reverse clutch	7/8	90-02	94385692	81110
F30	Steel .071" 5.900" id 10T (wide teeth)	low/reverse clutch	7/8	90-93	94385691	81111
F30	Steel .071" 5.905" id 10T	low/reverse clutch	7	95-02	FX01-19-609	90109
F31	Steel, dished .068"	low/reverse clutch	1	90-92	94385693	81117-R
F31	Steel, dished .090"	low/reverse clutch	1	92-02	97048977	90119-R



Experience isn't just how long you've been in business. It's what you know. And these guys know transmissions.

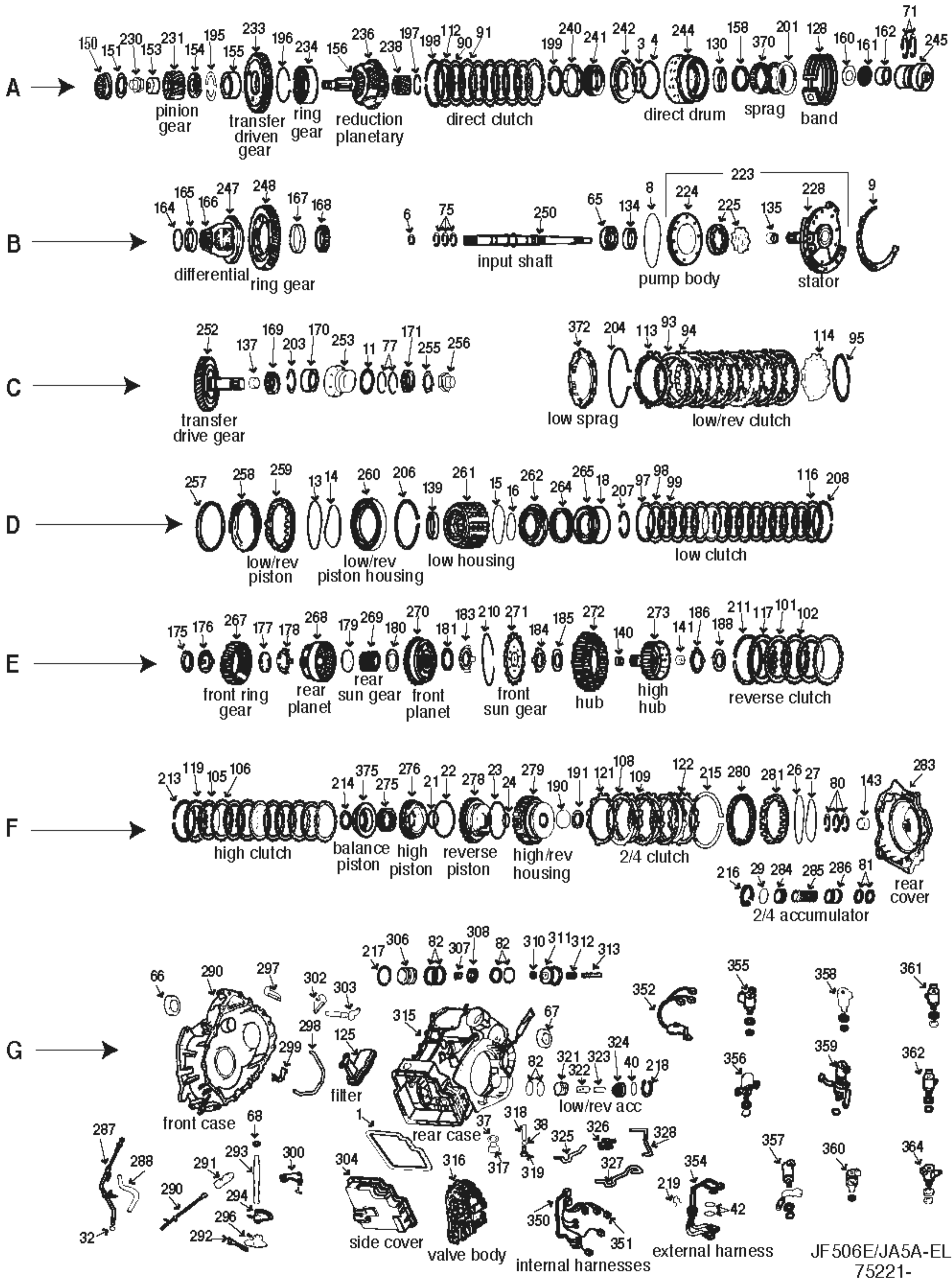
Having the parts you need is important. Knowing what you need is the difference. Our parts are researched and tested by our quality staff, so you will have the confidence that, when you buy a Toledo Driveline™ part, you get the quality and performance you demand.

But that's not our only strength. Backing up our complete line of parts with over 5 decades of know how and what you need.

So, look to Toledo Driveline™ quality and selection for transmission parts you can trust. And count on the expert knowledge to back them up.

Toledo
DRIVELINE





JF 506E/JA5A-EL
75221-

ILL	DESCRIPTION	QTY	YEAR	REFERENCE #	PART #
TECHNICAL MANUALS					
K53	Tech manual JF506E dis/assembly	1	02-07	JF506ETM	010-465
K53	Update handbook parts	1	02-07	JF506EHB	010-466
REBUILDER KITS					
K5	Master kit w/steels w/piston	1	02-10	MGW-K5000E	75221-11004
K6	Master kit w/o steels w/piston	1	02-10	MGW-K5000E-W/O	75221-12004
K7	O/H gasket set w/seals-rings w/piston	1	02-10	FDB-2445	75221-13004
K15	Kit, valve body gasket	1	02-10	FDB-4761	75221-16004
VALVE BODY KITS					
K15	Kit, valve body repair	1	02-10	n/a	75221-17009
K15	Kit, valve body gasket	1	02-10	FDB-4761	75221-16004
GASKETS AND RUBBER COMPONENTS					
G1	Gasket, oil pan	1	02-10	n/a	75221-18104
G1	Gasket, oil pan	1	02-10	B11377	75221-19104
B6	O'ring	1	02-10	BV01-21-677	23721
B8	O'ring	1	02-10	BW01-21-032	23086
B9	Gasket, pump (metal coated)	1	02-10	316323-5P000	75221-28004
G32	O'ring	1	02-10	99541-01201	1083
G42	O'ring	2	02-10	96041849	13045
n/i	Washer	4	02-10	99562-1400	75221-28804
n/i	Ball, check .218" od (viton)	8	02-10	FDB-B30141	13923
n/i	Seal, valve body to case/accumulator cover	2	02-10	31528-LW000	75221-23604
n/i	Seal, valve body to case/low reverse feed	2	02-10	31641-PR000	75221-23704
n/i	Seal, solenoid to valve body	2	02-10	FDB-B33219	75221-23804
METAL CLAD SEALS					
B65	Seal, metal clad	1	02-10	31375-PR000	81200
G66	Seal, metal clad	1	02-10	FP01-27-238	75221-30204
G66	Seal, metal clad	1	02-06	FDB-B37003	73221-30204
G67	Seal, metal clad	1	02-10	FP01-27-238	75221-30204
G67	Seal, metal clad	1/2	02-10	38342-PR000	71221-30204
G67	Seal, metal clad	1	02-06	FDB-B37003	73221-30204
G68	Seal, metal clad	1	02-10	BV11-19-437	78210
G68	Seal, metal clad 12x22x7mm	1	02-06	FDB-B29862	46202
SEALING RINGS					
K10	Kit, sealing ring	1	02-10	FDB-B21822	75221-31504
A71	Sealing ring (plastic)	2	02-10	FP01-19-655	75221-33504
B75	Sealing ring (teflon)	3	02-10	FP01-19-256	75221-33704
C77	Sealing ring (plastic)	2	02-10	FP01-19-257	75221-33804
F80	Sealing ring (teflon)	3	02-10	FP01-19-212	75221-33904
F81	Sealing ring (teflon)	2	02-10	FP01-19-701	75221-34504
G82	Sealing ring (teflon)	4	02-10	FP01-19-701	75221-34504
CLUTCH PLATES					
A90	Friction .068" 4.026" od 26T	4	02-10	FP01-19-580	75221-35104
A91	Steel .079" 3.380" id 24T	4	02-10	FP01-19-499	75221-37504
A91	Steel .079" 3.380" 24T (wide teeth)	4	02-10	162701A-200	75221-37604
C93	Friction .071" 6.455" od 32T	7	02-10	FP01-19-590	90108
C94	Steel .055" 5.908" 10T	6	02-10	FP01-19-609	75221-37804
D98	Steel .055" 4.841" id 32T	7	02-10	FP01-19561	75221-38004
D99	Friction .068" 5.426" od 30T	7	02-10	FP01-19-5J0	75221-35404
E101	Friction .060" 6.141" od 32T	2	01-10	FP01-19-610	75221-36804
E102	Steel .078" 5.614" id 36T	2	02-10	FP01-19-571	75221-38204
F105	Friction .063" 4.415" od 24T	5	02-10	FP01-19-620	90102A
F106	Steel .095" 3.596" id 18T	4	02-10	FP01-19-6E1	75221-38404
F106	Steel .063" 3.596" id 18T	1	02-10	FP01-19-6E2	75221-38504

JF506E•JA5A-EL•RE5F01A

JF506E•JA5A-EL•RE5F01A

ILL	DESCRIPTION	QTY	YEAR	REFERENCE #	PART #	
CLUTCH PLATES (CONTINUED)						
F108	Friction .063" 7.534" od 32T	2nd/4th clutch	6	02-10	FP01-19-3V0	75221-37004
F109	Steel .118" 6.663" id 7T	2nd/4th clutch	2	02-10	FP01-19-3N4	75221-38804
PRESSURE PLATES						
A112	Pressure plate .171" 3.385" id 24T	direct clutch	1	02-10	AE	75221-41103
A112	Pressure plate .178" 3.385" id 24T	direct clutch	1	02-10	AE	71221-41103
C113	Pressure plate .250" 5.910" id 10T	low/reverse clutch (stepped)	1	02-10	AE	75221-41403
G114	Pressure plate (apply) .100" 5.910" id 10T	low/reverse clutch (flat)	1	02-10	AE	75221-41503
D116	Pressure plate .160" 4.845" id 32T	low clutch	1	02-10	AE	71221-41803
E117	Pressure plate .141" 5.615" id 36T	reverse clutch	sel	02-10	AE	75221-41603
E117	Pressure plate .150" 5.615" id 36T	reverse clutch	sel	02-10	AE	75221-41703
E117	Pressure plate .157" 5.615" id 36T	reverse clutch	sel	02-10	AE	75221-41803
E117	Pressure plate .165" 5.615" id 36T	reverse clutch	sel	02-10	AE	75221-41903
F119	Pressure plate .205" 3.610" id 18T	high clutch	1	02-10	AE	75221-42503
F121	Pressure plate .163" 6.625" id 7T	2/4 clutch	1	02-10	AE	75221-43003
F122	Pressure plate (apply) .298" 6.625" id 7T	2/4 clutch	sel	02-10	AE	75221-43203
F122	Pressure plate (apply) .308" 6.625" id 7T	2/4 clutch	sel	02-10	AE	75221-43303
FILTERS						
K9	Kit, filter	Mazda/Jaguar (neoprene/cork)	1	02-06	AE	75221-43604
K9	Kit, filter	Mazda/Jaguar (Duraprene®)	1	02-06	AE	75221-44104
K9	Kit, filter	Land Rover (neoprene/cork)	1	02-05	AE	73221-43604
K9	Kit, filter	Land Rover (Duraprene®)	1	02-05	AE	73221-44104
G125	Filter	Mazda/Jaguar	1	02-06	31728-PR001	75221-45104
G125	Filter	Land Rover	1	02-05	31728-PW003	73221-45104
BANDS						
A128	Band (split type)	JF506E/RE5F01A (reduction brake)	1	02-08	31630-PW002	75221-47504
BUSHINGS						
K13	Kit, bushing	JF506E/JA5A-EL/5F31	1	02-10	AE	75221-50004
B134	Bushing	pump body	1	02-10	AE	91005
A130	Bushing	direct clutch housing	1	02-10	n/a	75221-50804
B135	Bushing	stator support (front)	1	02-10	n/a	75221-51004
C137	Bushing	drive gear (rear)	1	02-10	n/a	75221-51304
D139	Bushing	low clutch housing	1	02-10	n/a	75221-51504
E140	Bushing	reverse clutch hub (front)	1	02-10	n/a	75221-51804
E141	Bushing	reverse clutch hub (rear)	1	02-10	n/a	75221-51804
F143	Bushing	end cover	1	02-10	n/a	75221-52104
WASHERS/BEARINGS/RACES/SHIMS						
K14	Kit, thrust washer	JF506E/JA5A-EL/5F31	1	02-10	AE	75221-54504
K12	Kit, thrust bearing	JF506E/JA5A-EL/5F31	1	02-10	AE	75221-55104
A150	Bearing, caged 2.755" od	all (reduction planetary to case)		02-10	n/a	75221-56104
A150	Bearing, caged 2.445" od	Freelander (reduction planetary to case)	1	02-06	n/a	73221-56104
A151	Bearing, thrust	Mazda (pinion gear to caged bearing)	1	02-06	n/a	75221-56204
A151	Bearing, thrust	Jag/Freelander (pinion gear to caged brg)	1	02-10	n/a	71221-56204
A153	Race, inner	all (pinion gear)	1	02-10	n/a	75221-56304
A155	Bearing, double cone w/wide cone	all (drive gear (ill# A154/A155))	1	02-10	n/a	75221-56404
A158	Bearing, thrust	all (direct housing to support)	1	02-10	n/a	75221-56604
A160	Bearing, thrust	all (direct housing to support)	1	02-10	n/a	75221-56804
A161	Bearing, thrust	Mazda (reduction sun gear to support)	1	02-10	n/a	75221-56904
A161	Bearing, thrust	Jag/Freelander (reduction sg to support)	1	02-10	n/a	96221-56904
A162	Bearing, caged	all (direct housing to support)	1	02-10	n/a	75221-57204
B164	Shim, 3.845" id	Mazda/Jaguar (differential bearing)	sel	02-10	n/a	75221-57304
B164	Shim, 7.735" id	Freelander (differential bearing)	sel	02-06	n/a	96221-57304
B166	Bearing, cup/cone	Mazda/Jaguar (differential to housing)	1	02-10	n/a	75221-57504
B166	Bearing, cup/cone	Freelander (differential to housing)	1	02-06	n/a	96221-57504

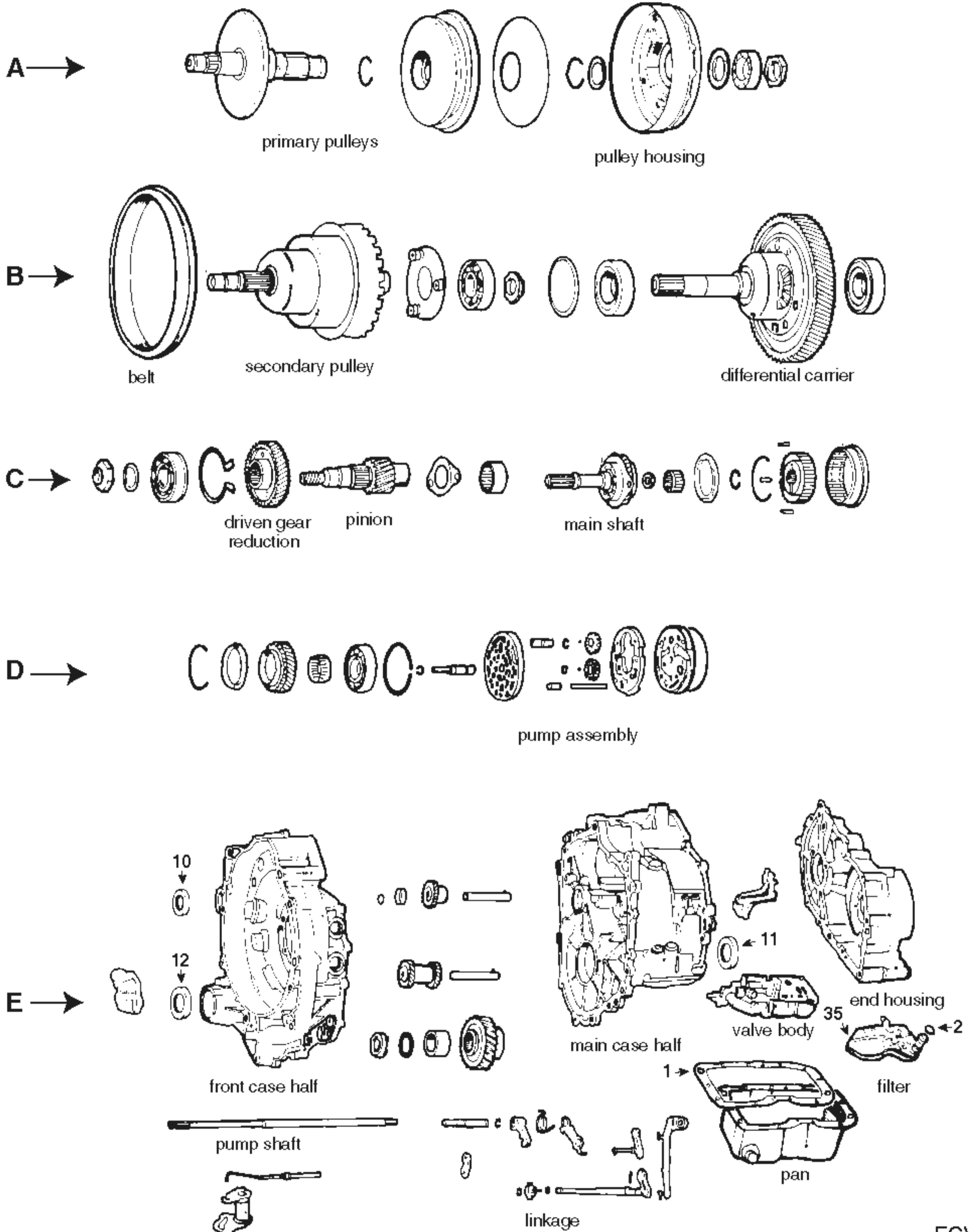
ILL	DESCRIPTION	QTY	YEAR	REFERENCE #	PART #	
WASHERS/BEARINGS/RACES/SHIMS (CONTINUED)						
B168	Bearing, cup/cone	Mazda/Jaguar (differential to case)	1	02-10	n/a	75221-57604
B168	Bearing, cup/cone	Freelander (differential to housing)	1	02-06	n/a	96221-57604
C170	Bearing, double cup/cone	all (drive gear to supt ill# 169/170/171)	1	02-10	n/a	75221-58004
C173	Washer, lock	all (nut to inner bearing)	1	02-10	n/a	75221-58503
E175	Bearing, thrust	all (support to rear planetary)	1	02-10	n/a	75221-58604
E176	Bearing, thrust	all (support to rear planetary)	1	02-10	n/a	75221-58704
E177	Bearing, thrust	all (rear ring gear to rear planetary)	1	02-10	n/a	75221-58804
E178	Race, thrust bearing	Mazda/Jaguar (rear ring gear to planetary)	1	02-10	n/a	75221-58904
E178	Race, thrust bearing	Freelander (rear ring gear to planetary)	1	02-06	n/a	73221-58904
E179	Bearing, thrust	all (rear planetary to sun gear)	1	02-10	n/a	75221-59004
E180	Bearing, thrust	all (sun gear to front planetary)	1	02-10	n/a	75221-59104
E181	Bearing, thrust	all (front planetary to sun gear)	1	02-10	n/a	75221-59204
E183	Race, thrust bearing	all (front planetary to sun gear)	1	02-10	n/a	75221-59304
E184	Race, thrust bearing	all (high clutch hub to sun gear)	1	02-10	n/a	75221-59404
E185	Bearing, thrust	all (high clutch hub to sun gear)	1	02-10	n/a	75221-58804
E186	Race, thrust bearing	all (high clutch hub to reverse housing)	1	02-10	n/a	75221-59604
E188	Bearing, thrust	all (high clutch hub to reverse housing)	1	02-10	n/a	75221-59704
F190	Bearing, thrust	all (reverse housing to end housing)	1	02-10	n/a	75221-60104
F191	Shim .982" id	all (reverse housing to end housing)	sel	02-10	n/a	75221-60204
SNAP RINGS						
A195	Snap ring .063" 3.068" od	all (bearing to driven gear)	1	02-10	AE	75221-62103
A196	Snap ring .068" 5.465" od	all (ring gear to reduction planetary)	1	02-10	AE	75221-62203
A197	Snap ring .078" 1.912" od	all (direct clutch drum seat)	1	02-10	AE	75221-62303
A197	Snap ring .078" 1.492" od	Freelander (direct clutch drum seat)	1	02-06	AE	73221-62303
A198	Snap ring .080" 4.312" od	all (direct clutch pressure plate)	1	02-10	AE	75221-62403
A199	Snap ring .041" 2.308" od	all (direct clutch retainer)	1	02-10	AE	75221-62503
A201	Snap ring .039" 3.412" od	all (sprag in direct drum)	1	02-10	AE	75221-62603
C203	Snap ring .064" 2.478" od	all (bearing in support)	1	02-10	AE	75221-62703
C204	Snap ring .049" 6.975" od	all (low sprag to case)	1	02-10	AE	75221-63003
D206	Snap ring .083"	Mazda/Jaguar (low/reverse housing in case)	1	02-10	AE	75221-63503
D206	Snap ring .088"	Freelander (low/reverse housing in case)	1	02-06	AE	96221-63503
D207	Snap ring .054" 3.356" od	all (low clutch retainer)	1	02-10	AE	75221-63703
D208	Snap ring .063" 5.694" od	all (low clutch pressure plate)	1	02-10	AE	75221-63903
E210	Snap ring .063" 5.299" od	all (sun gear in low housing)	1	02-10	AE	75221-64303
E211	Snap ring .079" 6.502" od	all (reverse clutch pressure plate)	1	02-10	AE	75221-64603
F213	Snap ring .079" 4.766" od	all (high clutch pressure plate)	1	02-10	AE	75221-64903
F214	Snap ring	all (high clutch retainer)	1	02-10	AE	75221-65203
F215	Snap ring .080" 8.125" od	all (2-4 retainer)	1	02-10	AE	75221-65503
G216	Snap ring	all (2-4 accumulator cover)	1	02-10	AE	75221-65703
G217	Snap ring .057" 2.730" od	Freelander/Mazda/Jaguar (servo cover)	1	02-10	AE	75221-65803
G218	Snap ring	all (low/reverse accumulator cover)	1	02-10	AE	75221-65903
PUMP PARTS AND PUMPS						
B223	Pump assembly	JF506E/JA5A-EL	1	02-10	AE	75221-67003
B224	Body, pump w/gears	JF506E/JA5A-EL	1	02-10	AE	75221-67503
B225	Gears, pump (inner/outer)	JF506E/JA5A-EL	1	02-10	n/a	75221-68104
B228	Stator, pump	JF506E/JA5A-EL	1	02-08	AE	75221-68503
HARD PARTS						
A230	Nut	all (reduction planetary)	1	02-10	AE	75221-72303
A231	Gear, pinion 1.540" 4 grooves 22T	Freelander	1	02-06	AE	73221-72403
A231	Gear, pinion 1.520" 3 grooves 21T	Mazda/Jaguar	1	02-10	AE	75221-72403
A233	Gear, driven transfer 2 grooves 65T	Jaguar	1	02-10	AE	71221-72803
A233	Gear, driven transfer no groove 65T	Freelander	1	02-06	AE	73221-72803
A233	Gear, driven transfer 1 groove 47T	Mazda	1	02-06	AE	75221-72803

JF506E•JA5A-EL•RE5F01A

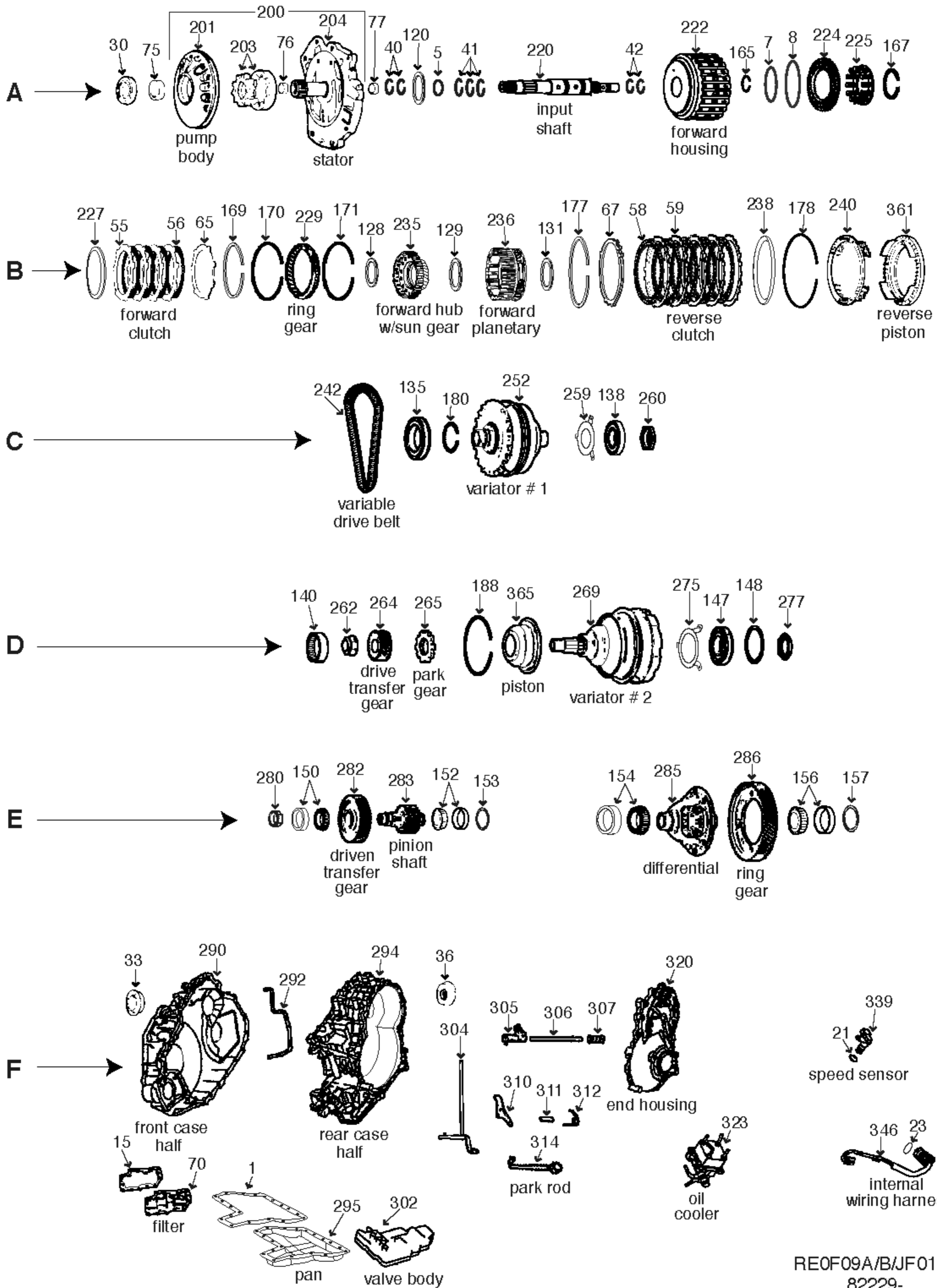
JF506E•JA5A-EL•RE5F01A

ILL	DESCRIPTION	QTY	YEAR	REFERENCE #	PART #
HARD PARTS (CONTINUED)					
A234	Gear, ring 2 slots 5.565" od 93T	1	02-06	AE	73221-73003
A234	Gear, ring no slots 5.435" od 85T	1	02-10	AE	75221-73003
A236	Planetary, reduction w/shaft no groove	1	02-06	AE	73221-73403
A236	Planetary, reduction w/shaft 2 grooves	1	02-10	AE	75221-73403
A238	Gear, sun 1.275" no groove 32T	1	02-06	AE	73221-73803
A238	Gear, sun 2 grooves 31T	1	02-10	AE	75221-73803
A240	Retainer, w/o spring	1	02-10	AE	75221-74003
A241	Spring, accordion	1	02-10	AE	75221-74103
A242	Piston, .330" 3.980" od	1	02-10	AE	75221-74203
A244	Drum, direct 23 splines	1	02-06	AE	73221-74403
A244	Drum, direct 31 splines	1	02-10	AE	75221-74403
A245	Support, direct drum 2.875" oh	1	02-10	AE	75221-74703
B247	Differential w/spider gears	1	02-10	AE	71221-75003
B247	Differential w/spider gears	1	02-06	AE	73221-75003
B247	Differential w/spider gears	1	02-06	AE	75221-75003
B248	Gear, ring 1.245" no groove 67T	1	02-06	AE	73221-75303
B248	Gear, ring 1.245" 4 grooves 68T	1	02-10	AE	75221-75303
B250	Shaft, input 20 splines 12.500" length	1	02-10	AE	75221-75503
B250	Shaft, input 20 splines 12.500" length	1	02-06	AE	96221-75503
C252	Gear, drive transfer 1.050" id 54T	1	02-10	AE	71221-75803
C252	Gear, drive transfer .985" id 54T	1	02-06	AE	73221-75803
C252	Gear, drive transfer 1.050" id 41T	1	02-06	AE	75221-75803
C253	Support, drive transfer gear 4 notches id	1	02-10	AE	75221-76003
C256	Nut	1	02-10	AE	75221-76203
D257	Retainer, 7.312" od	1	02-10	AE	75221-76503
D258	Spring, accordion	1	02-10	AE	75221-76603
D259	Piston 1.040" oh (aluminum)	1	02-10	AE	71221-76703
D259	Piston .0905" oh (aluminum)	1	02-06	AE	73221-76703
D259	Piston .0905" oh (aluminum)	1	02-06	AE	75221-76703
D260	Housing .850" oh	1	02-10	AE	75221-76803
D260	Housing .805" oh	1	02-06	AE	96221-76803
D261	Housing, low clutch	1	02-10	AE	75221-77003
D262	Piston 1.390" oh (aluminum)	1	02-10	AE	71221-77203
D262	Piston 1.260" oh (aluminum)	1	02-06	AE	75221-77203
D264	Spring, accordion	1	02-10	AE	75221-77403
D265	Retainer, alum .300" oh 12 id notches	1	02-10	AE	75221-77503
E267	Gear, front ring 75T	1	02-10	AE	75221-77803
E268	Planetary, rear 4 pinion gears	1	02-06	AE	73221-78003
E268	Planetary, rear 5 pinion gears	1	02-10	AE	75221-78003
E269	Gear, rear sun .910" 20 splines 42T	1	02-10	AE	75221-78203
E270	Planetary, front 3 pinion gears	1	02-06	AE	73221-78503
E270	Planetary, front 4 pinion gears	1	02-10	AE	75221-78503
E271	Gear, front sun 32 outer lugs 34T	1	02-10	AE	75221-78803
E272	Hub, 32T	1	02-10	AE	75221-79003
E273	Hub, 2.815" oh 24T	1	02-10	AE	75221-79203
F275	Spring, accordion 1.075" oh 2.875" od	1	02-10	AE	75221-79403
F276	Piston .890" 4.405" od (aluminum)	1	02-10	AE	75221-79503
F278	Piston 2.115" oh (aluminum)	1	02-08	FP-03-19-480	75221-79704
F278	Piston 2.115" oh (aluminum)	1	02-10	AE	75221-79703
F279	Housing, 2.875" oh 36T (stamp steel)	1	02-10	AE	75221-80103
F280	Retainer, w/springs	1	02-10	AE	75221-80303
F281	Piston 1.545" oh 7.500" od 20 lugs	1	02-10	AE	75221-80403
F283	Housing, end	1	02-10	AE	75221-80503

ILL	DESCRIPTION		QTY	YEAR	REFERENCE #	PART #
HARD PARTS (CONTINUED)						
G290	Case, front half (square starter hole)	Jaguar (23 case bolts)	1	02-10	casting #PL042	71221-81103
G290	Case, front half (round starter hole)	Freelander (12 case bolts)	1	02-08	casting #PRO43	73221-81103
G290	Case, front half (square starter hole)	Mazda (22 case bolts)	1	02-06	casting #PM2	75221-81103
G304	Pan, side cover	Jaguar (on top vent hole 1.125" od)	1	02-10	AE	71221-82203
G304	Pan, side cover	Freelander (dipstick .750" oh middle top)	1	02-08	AE	73221-82203
G304	Pan, side cover	Mazda (no filler tube)	1	02-06	AE	75221-82203
G315	Case, rear half snap ring holds servo	Jaguar (23 case bolts no vent)	1	02-10	AE	72221-82803
G315	Case, rear half snap ring holds servo	Freelander (21 case bolts w/top vent)	1	02-08	AE	73221-82803
G315	Case, rear half snap ring holds servo	Mazda (22 case bolts w/top vent)	1	02-06	AE	75221-82803
G316	VB w/solenoids 2 recessed alum end caps	Freelander (w/2 tubes/steel solenoid brkt)	1	02-08	AE	73221-83003
G316	Valve body w/solenoids	Mazda (w/1 tube/2 cast iron solenoid brkt)	1	02-06	casting #PM SUB	75221-83003
G316	VB w/solenoids w/2 flush alum end caps	Jaguar (w/2 tubes/steel solenoid brackets)	1	02-10	AE	96221-83003
ELECTRICAL COMPONENTS						
n/i	Kit, solenoid (9 solenoids)	Mazda	1	02-06	D183420B	75221-85004
n/i	Kit, solenoid (9 solenoids)	Jaguar/Land Rover	1	02-06	122990-SL	96221-85004
G350	Harness, wiring internal w/temp sensor	Mazda/Jag/Freelander (1-8 prong 3-2 blade)	1	02-10	n/a	75221-90404
G351	Harness, wiring internal	Mazda (10 prong w/7 1 blade/2 two prong)	1	02-06	n/a	75221-90504
G351	Harness, wiring internal w/ground wire	Freelander/Jaguar (10 prong w/9 one blade)	1	02-10	n/a	96221-90504
G352	Switch, MLPS (neutral start)	Jaguar	1	02-10	n/a	71221-90704
G352	Switch, MLPS (neutral start)	Freelander	1	02-06	n/a	73221-90704
G352	Switch, MLPS (neutral start)	Mazda	1	02-06	n/a	75221-90704
G354	Harness, wiring external 20" length	Jaguar (18 wire connector)	1	02-10	n/a	71221-90904
G354	Harness, wiring external 26.500" lg	Freelander (18 wire w/1 10/8 prong square)	1	02-06	n/a	73221-90904
G354	Harness, wiring external 17.500" lg	Mazda (18 wire w/1 ten and 8 prong square)	1	02-06	n/a	75221-90904
G355	Soleniod	Mazda (lockup/TCC)(N91)	1	02-07	FP03-21-1DY	75221-87104
G355	Soleniod	Jaguar/Freelander (lockup/TCC)(N91)	1	02-06	31941-PR010	96221-87104
G356	Soleniod	Mazda/Jag/Freelander(EPC press control)N93	1	02-07	FP01-21-1DY	75221-87504
G357	Soleniod	Mazda (high clutch control)(N90)	1	02-07	FP03-21-1DO	75221-87704
G357	Soleniod	Mazda (2/4 brake)(N90)	1	02-07	FP03-21-1DO	75221-87704
G357	Soleniod	Jag/Freelander (low clutch timing)(N90)	1	02-06	31941-PR009	96221-89004
G358	Soleniod	Freelander/Jaguar (2/4 brake duty)(N283)	1	02-10	D183450A	96221-87704
G359	Soleniod	Mazda (neutral shift)(N282)	1	02-07	31941-PM005	75221-88004
G359	Soleniod	Jag/Freelander (2/4 brake timing)(N282)	1	02-06	31941-PM002	96221-89304
G360	Soleniod	Mazda/Jag/Freelander(reduction timing)N281	1	02-07	31941-PM002	75221-89504
G361	Soleniod	Mazda/Jaguar/Freelander (B-shift)(N89)	1	02-07	31941-PR000	75221-88304
G362	Soleniod	Mazda (C shift)(N92)	1	02-07	31941-PM003	75221-88904
G362	Soleniod	Jaguar/Freelander (C-shift)(N92)	1	02-06	31941-PR005	96221-88904
G364	Soleniod	Mazda (A shift)(N88)	1	02-07	FP01-21-1DO	75221-88604
G364	Soleniod	Jaguar/Freelander (A-shift)(N88)	1	02-06	31941-PM004	96221-88604
n/i	Sensor, speed	all (turbine)	1	02-10	FP01-21550	75221-92304
n/i	Sensor, speed	all (input)	1	02-10	FP01-21550	75221-92304
n/i	Sensor, speed	all (output)	1	02-10	FP01-21550	75221-92304
SPRAGS						
A370	Sprag, reduction .632" (28 elements)	all	1	02-10	n/a	75221-94004
A370	Sprag, reduction .632" (28 elements)	all	1	02-10	AE	75221-94003
C372	Sprag, low .515" (18 roller)	all	1	02-10	n/a	75221-94504
C372	Sprag, low .515" (18 roller)	all	1	02-10	AE	75221-94503
BONDED PISTONS						
F375	Piston, balance bonded rubber	JF506E (high clutch)	1	02-06	B81899	75221-97104
NOTES						



ECVT
80000



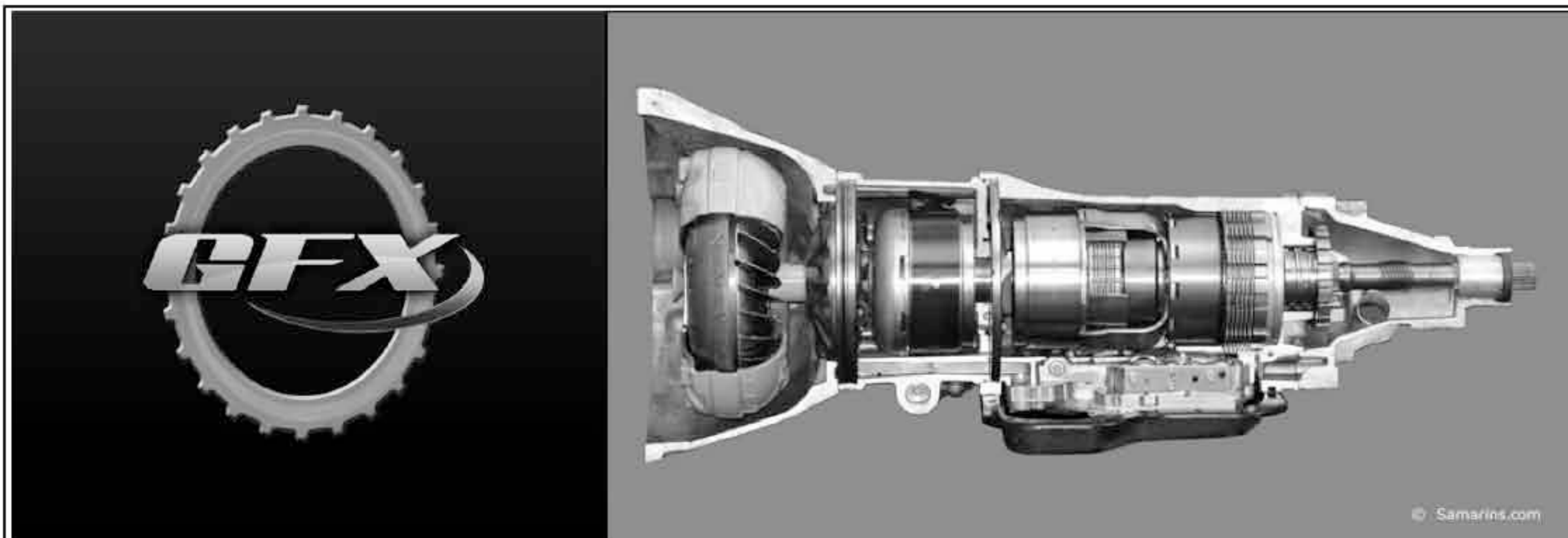
RE0F09A/B/JF010E
82229-

ILL	DESCRIPTION	QTY	YEAR	REFERENCE #	PART #
REBUILDER KITS					
K5	Master kit w/steels	1	03-11	APC-181901	82229-11004
K5	Master kit w/steels	1	03-11	APC-181901X	82229-11104
K6	Master kit w/o steels	1	03-11	APC-181901LS	82229-12004
K6	Master kit w/o steels	0	03-11	APC-181901XLS	82229-12104
K7	O/H gasket set w/seals-rings	1	03-11	APC-181800	82229-13004
K7	O/H gasket set w/seals-rings	1	03-11	APC-181800X	82229-13104
GASKETS AND RUBBER COMPONENTS					
F1	Gasket, pan	1	03-11	B11525	82229-19004
METAL CLAD SEALS					
A30	Seal, metal clad	1	03-11	B37089	82229-30104
F33	Seal, metal clad	1	03-11	B29734	82229-30304
F33	Seal, metal clad	1	03-11	B37090	82229-30404
F36	Seal, metal clad	1	03-11	B29733	82229-30704
SEALING RINGS					
K10	Kit, sealing ring	1	03-11	n/a	82229-31504
A40	Sealing ring	2	03-11	n/a	82229-33104
A41	Sealing ring	3	03-11	n/a	82229-33204
A42	Sealing ring	2	03-11	n/a	82229-33504
CLUTCH PLATES					
A55	Steel .054" 4.720" id 30T	4	03-11	31532-1XD02	82229-37504
A56	Friction .059" 5.433" od 36T	4	03-11	31532-1XD00	82229-35104
C58	Friction .059" 7.027" od 40T	5	03-11	31536-1XE00	82229-35304
C59	Steel .055" 6.530" 12T	5	03-11	n/a	82229-37704
PRESSURE PLATES					
A65	Pressure plate	1	03-11	AE	82229-41203
C67	Pressure plate	1	03-11	AE	82229-41403
FILTERS					
K9	Kit, filter	1	03-11	AE	82229-44004
F70	Filter	1	03-11	125710-AFT	82229-45004
BUSHINGS					
A75	Bushing	1	03-11	n/a	82229-50604
A76	Bushing	1	03-11	n/a	82229-50904
A77	Bushing	1	03-11	n/a	82229-50904
WASHERS/BEARINGS/RACES/SHIMS					
A120	Bearing, thrust	1	03-11	n/a	82229-56304
B128	Bearing, thrust	1	03-11	n/a	82229-56504
B129	Bearing, thrust	1	03-11	n/a	82229-56804
B131	Bearing, thrust	1	03-11	n/a	82229-56904
C135	Bearing, ball	1	03-11	n/a	82229-57104
C138	Bearing, ball	1	03-11	n/a	82229-57304
D140	Bearing, caged	1	03-11	n/a	82229-57504
D147	Bearing, ball	1	03-11	n/a	82229-57804
D148	Washer, shim	sel	03-11	n/a	82229-57904
E150	Bearing, cup/cone	1	03-11	n/a	82229-58104
E152	Bearing, cup/cone	1	03-11	n/a	82229-58104
E154	Bearing, cup/cone	1	03-11	n/a	82229-58304
E156	Bearing, cup/cone	1	03-11	n/a	82229-58304
E157	Washer, shim	sel	03-11	n/a	82229-58604
SNAP RINGS					
A165	Snap ring	1	03-11	AE	82229-62303
B169	Snap ring	1	03-11	AE	82229-62503
B171	Snap ring	1	03-11	AE	82229-62803
B170	Snap ring	1	03-11	AE	82229-63003

REOF09A/B•JF010E

REOF09A/B•JF010E

ILL	DESCRIPTION	QTY	YEAR	REFERENCE #	PART #
SNAP RINGS (CONTINUED)					
B178	Snap ring reverse clutch retainer	1	03-11	AE	82229-63303
C180	Snap ring variator #1 (pulley)	1	03-11	AE	82229-63503
D188	Snap ring variator #2 piston (pulley)	1	03-11	AE	82229-63803
PUMP PARTS AND PUMPS					
A200	Pump assembly REOF09/JF010E	1	03-11	AE	82229-67003
HARD PARTS					
A220	Shaft, input REOF09/JF010E	1	03-11	AE	82229-72303
A222	Housing, forward clutch REOF09/JF010E	1	03-11	AE	82229-72503
A224	Piston, forward clutch REOF09/JF010E	1	03-11	AE	82229-72903
A225	Retainer, w/springs forward clutch	1	03-11	AE	82229-73103
B227	Spring, cushion (forward clutch) REOF09/JF010E	1	03-11	AE	82229-73203
B229	Gear, ring REOF09/JF010E	1	03-11	AE	82229-73503
B235	Hub, forward (w/sun gear) REOF09/JF010E	1	03-11	AE	82229-74003
B236	Planetary, forward REOF09/JF010E	1	03-11	AE	82229-74303
B238	Spring, cushion (reverse clutch) REOF09/JF010E	1	03-11	AE	82229-74503
B240	Retainer, w/springs reverse clutch	1	03-10	AE	82229-74703
C242	Belt, variable drive REOF09/JF010E	1	03-11	n/a	82229-75504
C242	Belt, variable drive REOF09/JF010E	1	03-11	AE	82229-75503
C252	Pulley, variator #1 REOF09/JF010E	1	03-11	AE	82229-75803
C259	Retainer, variator #1 bearing REOF09/JF010E	1	03-11	AE	82229-75903
C260	Nut, variator #1 REOF09/JF010E	1	03-11	AE	82229-76003
D262	Nut, variator #2 (front) REOF09/JF010E	1	03-11	AE	82229-76703
D264	Gear, transfer drive REOF09/JF010E	1	03-11	AE	82229-76803
D265	Gear, park REOF09/JF010E	1	03-11	AE	82229-76903
D269	Pulley, variator #2 REOF09/JF010E	1	03-11	AE	82229-77003
D275	Retainer, variator #2 bearing REOF09/JF010E	1	03-11	AE	82229-77403
D277	Nut, variator #2 (rear) REOF09/JF010E	1	03-11	AE	82229-77803
E280	Nut, transfer driven gear REOF09/JF010E	1	03-11	AE	82229-77903
E282	Gear, driven transfer REOF09/JF010E	1	03-11	AE	82229-78003
E283	Gear, w/shaft pinion REOF09/JF010E	1	03-11	AE	82229-78503
E285	Differential assembly w/o ring gear	1	03-11	AE	82229-79003
E286	Gear, differential ring REOF09/JF010E	1	03-11	AE	82229-79503
F290	Housing, front case half REOF09/JF010E	1	03-11	AE	82229-80103
F294	Housing, main case half REOF09/JF010E	1	03-11	AE	82229-80403
F295	Pan, bottom REOF09/JF010E	1	03-11	AE	82229-80603
F302	Valve body w/solenoids REOF09/JF010E	1	03-11	AE	82229-81003
F304	Shaft, shift REOF09/JF010E	1	03-11	AE	82229-81203
F310	Pawl, park REOF09/JF010E	1	03-11	AE	82229-81503
F311	Pin, park pawl REOF09/JF010E	1	03-11	AE	82229-81603
F312	Spring, park pawl REOF09/JF010E	1	03-11	AE	82229-81703
F314	Rod, park REOF09/JF010E	1	03-11	AE	82229-81803
F320	Housing, end cover REOF09/JF010E	1	03-11	AE	82229-82003
F323	Cooler, transmission oil REOF09/JF010E	1	03-11	AE	82229-82503
n/i	Kit, both pulleys/belt REOF09/JF010E	1	03-11	AE	82229-84003
ELECTRICAL COMPONENTS					
F339	Sensor, speed REOF09A	1	03-11	31935-8E007	82229-91504
F346	Harness, internal wiring REOF09/JF010E	1	03-11	n/a	82229-91704
n/i	Solenoid assembly select Lock	1	03-11	34970-CA000	82229-87504
n/i	Solenoid shift/lockup	1	03-11	34950-CA000	82229-89004
BONDED PISTONS					
B361	Piston, bonded rubber reverse clutch	1	03-11	n/a	82229-96204
D365	Piston, bonded rubber variator #1 (pulley)	1	03-11	n/a	82229-96304



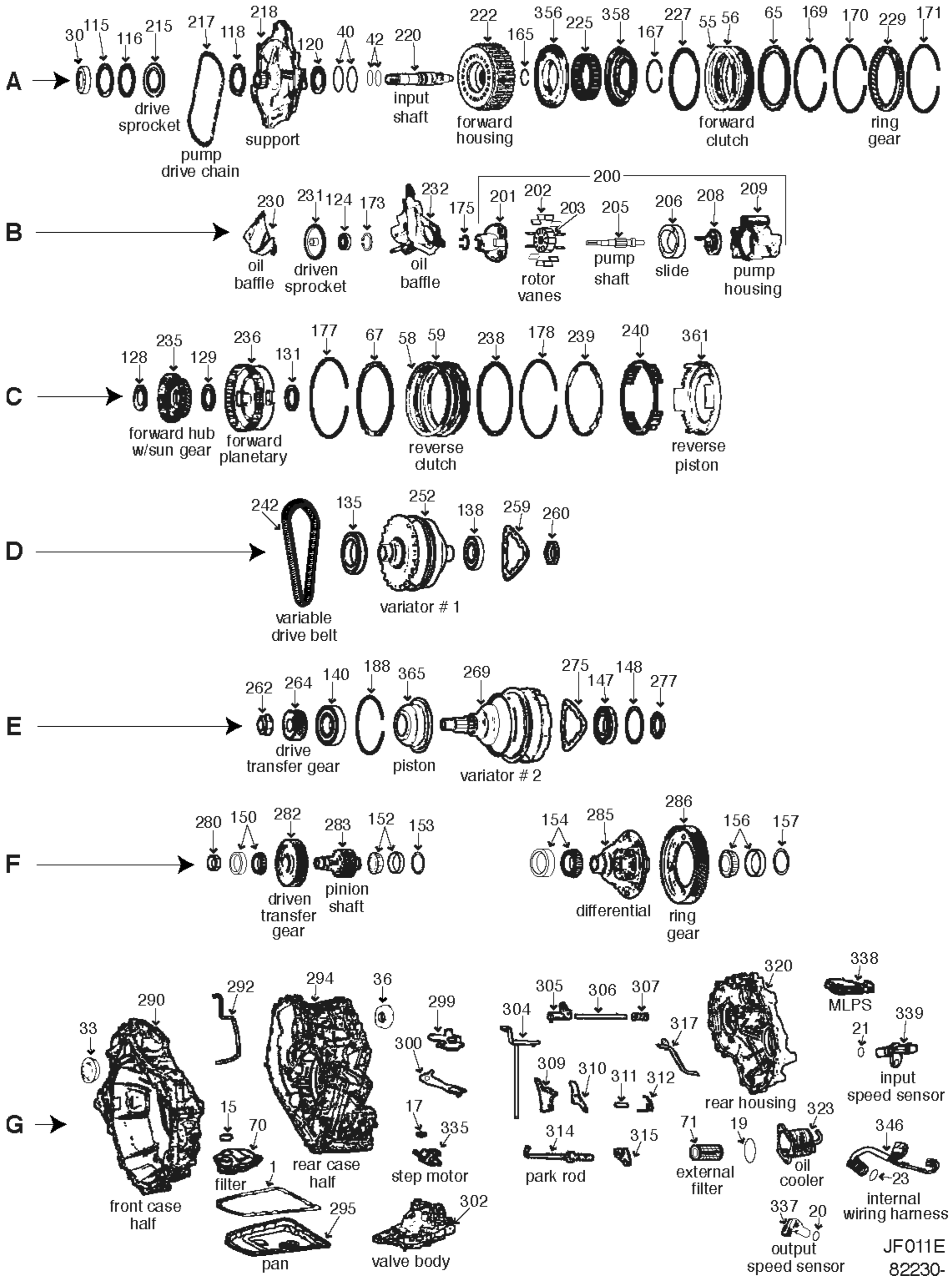
GFX Inc.

“The Monster” is just one of the many parts that GFX has manufactured within the last few years.

We specialize in offering the industry quality hard parts at very competitive prices. We also carry many popular items such as Pump Gears, Solenoids, Borg-Warner Morse chains, Dynax Friction Plates and much more.

305-499-9789-office 305-499-9789-Fax

A & Reds, authorized GFX Distributor



JF011E
82230-

ILL	DESCRIPTION		QTY	YEAR	REFERENCE #	PART #
TECHNICAL MANUALS						
K53	Tech manual JF011E dis/assembly	diagnosis & troubleshooting	1	07-10	n/a	010-135
REBUILDER KITS						
K5	Master kit w/steels	JF011E (JATCO)	1	07-08	AE	82230-11004
K6	Master kit w/o steels	JF011E (JATCO)	1	07-10	AE	82230-12004
K7	O/H gasket set w/seals-rings	JF011E (JATCO)	1	07-08	n/a	82230-13004
GASKETS AND RUBBER COMPONENTS						
G1	Gasket, pan	JF011E (JATCO)	1	07-10	n/a	82230-19004
G15	O'ring	oil filter	1	07-10	n/a	82230-22104
METAL CLAD SEALS						
A30	Seal, metal clad	front	1	07-10	n/a	82230-30004
G33	Seal, metal clad	axle	1	07-10	n/a	82230-30304
G36	Seal, metal clad	axle	1	07-10	n/a	82230-30404
SEALING RINGS						
K10	Kit, sealing ring	JF011E (JATCO)	1	07-10	n/a	82230-31504
CLUTCH PLATES						
A55	Steel .054" 4.720" id 30T	forward clutch	4	07-10	n/a	82230-37504
A56	Friction 059" 5.433" od 36T	forward clutch	4	07-10	n/a	82230-35104
C58	Friction .059" 7.027" od 40T	reverse clutch	4	07-10	n/a	82230-35304
C59	Steel .055" 6.530" id 12T	reverse clutch	4	07-10	n/a	82230-37704
PRESSURE PLATES						
A65	Pressure plate	forward clutch	1	07-10	AE	82230-41203
C67	Pressure plate	reverse clutch	1	07-10	AE	82230-41403
FILTERS						
K9	Kit, filter	JF011E (JATCO)	1	07-10	AE	82230-44004
G70	Filter, main	JF011E (JATCO)	1	07-10	n/a	82230-45004
G71	Filter, inline (cartridge type)	JF011E (JATCO)	1	07-10	125711B	82230-45104
PUMP PARTS AND PUMPS						
B200	Pump assembly	JF011E (JATCO)	1	07-10	AE	82230-67003
HARD PARTS						
A215	Sprocket, pump drive	JF011E (JATCO)	1	07-10	AE	82230-72303
A217	Chain, pump drive	JF011E (JATCO)	1	07-10	AE	82230-72503
A218	Support, stator	JF011E (JATCO)	1	07-10	AE	82230-72703
A220	Shaft, input	JF011E (JATCO)	1	07-10	AE	82230-72903
A222	Housing, forward clutch	JF011E (JATCO)	1	07-10	AE	82230-73203
A225	Retainer, w/springs	forward return	1	07-10	AE	82230-73503
A229	Gear, ring	JF011E (JATCO)	1	07-10	AE	82230-74003
C235	Gear, sun	forward clutch hub	1	07-10	AE	82230-74603
C236	Planetary, forward	JF011E (JATCO)	1	07-10	AE	82230-74803
C240	Retainer, w/springs	reverse clutch return	1	07-10	AE	82230-75103
D242	Belt, variable drive	JF011E (JATCO)	1	07-10	AE	82230-75503
D252	Pulley, variator #1	JF011E (JATCO)	1	07-10	AE	82230-75603
E264	Gear, transfer drive	JF011E (JATCO)	1	07-10	AE	82230-75803
E269	Pulley, variator #2	JF011E (JATCO)	1	07-10	AE	82230-76003
F282	Gear, transfer driven	JF011E (JATCO)	1	07-10	AE	82230-76503
F283	Gear, pinion	JF011E (JATCO)	1	07-10	AE	82230-76703
F285	Carrier, differential w/spider gears	JF011E (JATCO)	1	07-10	AE	82230-77003
F286	Gear, differential ring	JF011E (JATCO)	1	07-10	AE	82230-77203
G290	Housing, front case half	JF011E (JATCO)	1	07-10	AE	82230-77503
G294	Housing, main case half	JF011E (JATCO)	1	07-10	AE	82230-77703
G295	Pan, bottom	JF011E (JATCO)	1	07-10	AE	82230-78003
G302	Valve body	JF011E (JATCO)	1	07-10	AE	82230-78603
G320	Housing, rear case	JF011E (JATCO)	1	07-10	AE	82230-80103
G323	Cooler, oil	JF011E (JATCO)	1	07-10	AE	82230-81203

Set The Trap!™

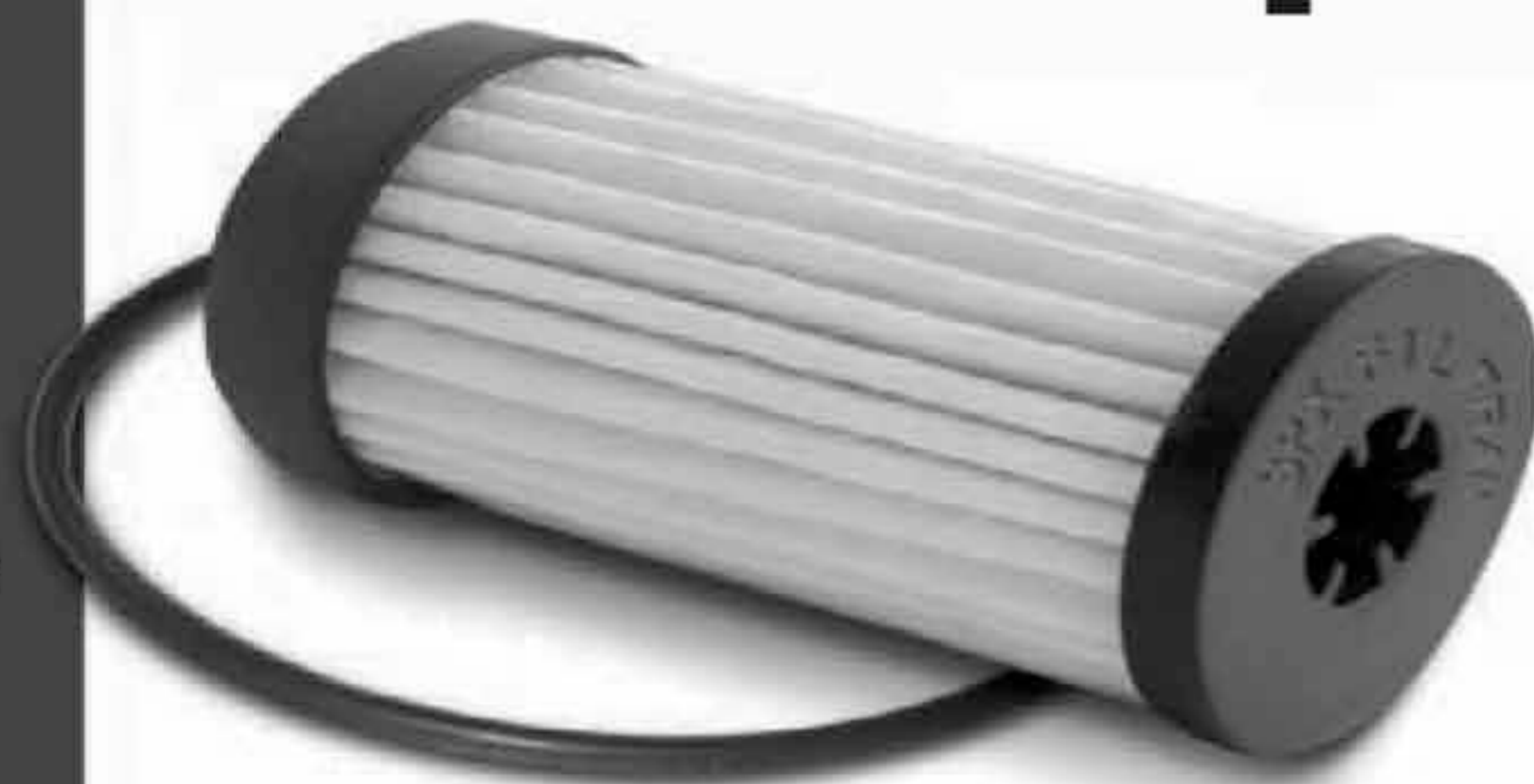


And you'll start capturing those pesky contaminants before they can damage your transmission.

Filtran has developed a replacement for the 5R110W External Cartridge Filter that offers:

- 5 Times Greater Contaminate Holding Capacity
- Improved Performance & Flow
- High Efficiency Micro-Glass Media

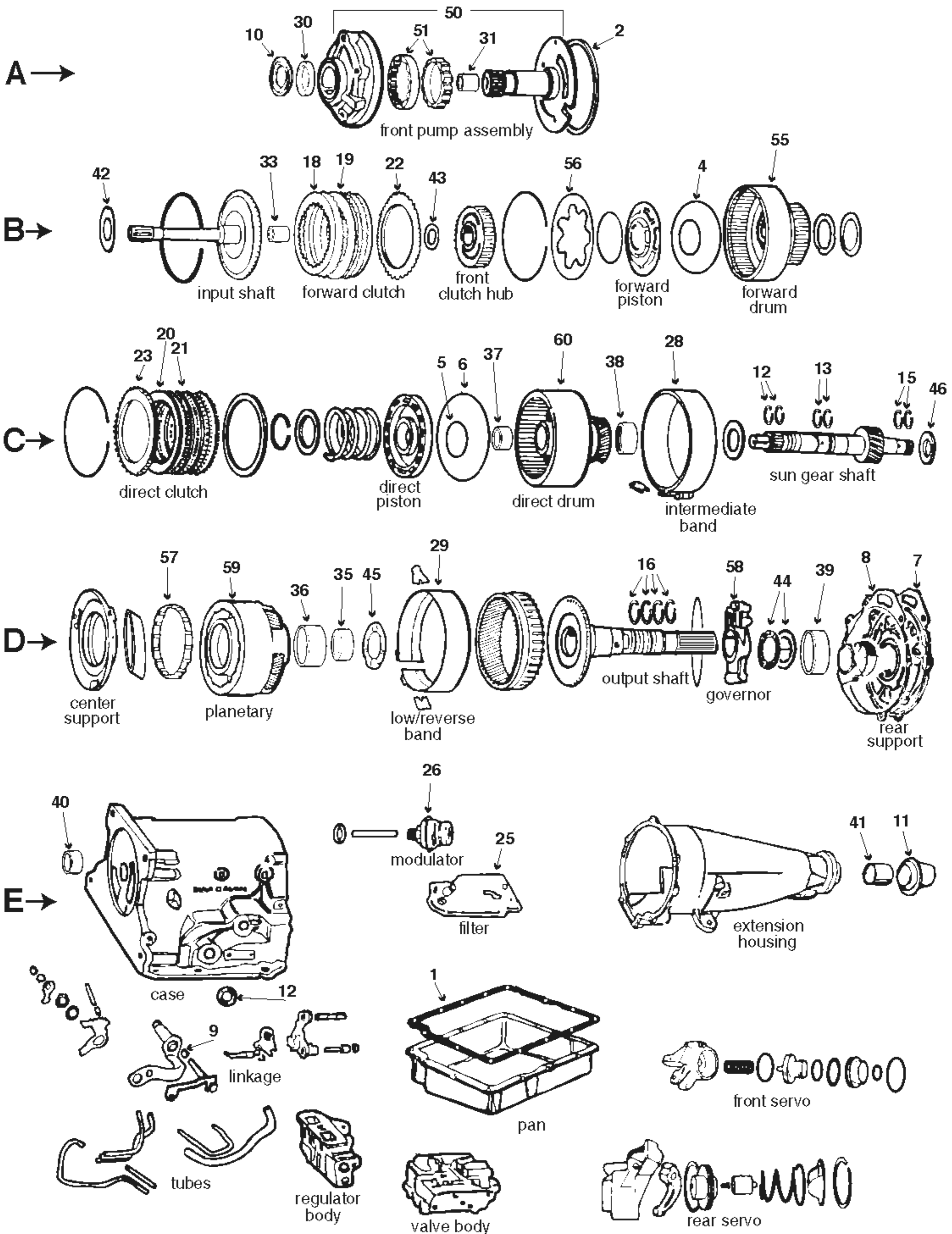
The Trap™



KEEPIN' IT CLEAN
For Over 50 years

FILTRAN

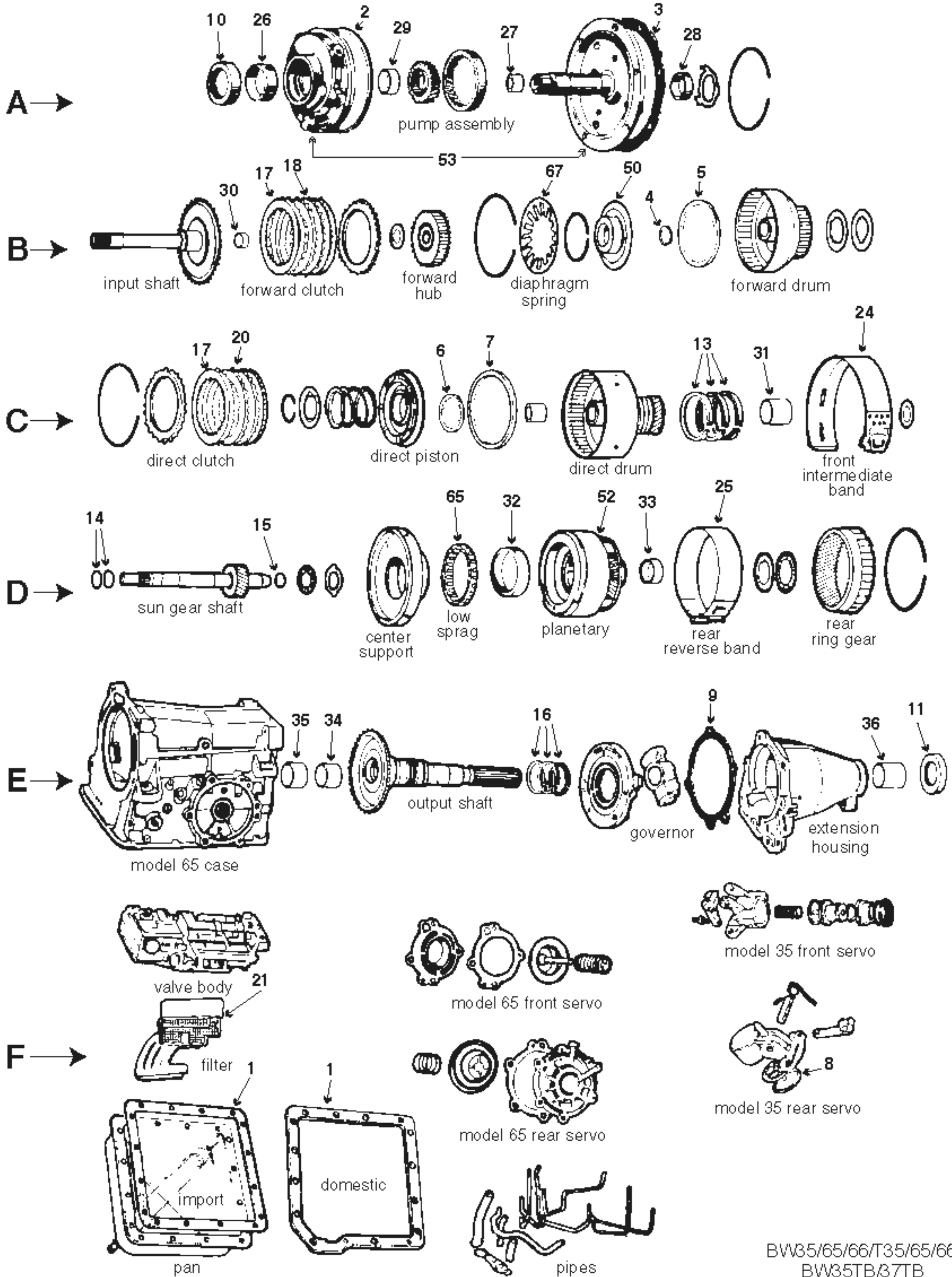
Filtran
875 Seegers Rd
Des Plaines, IL 60016
www.filtranllc.com



FMX/CW/BW8/BW12/R12
600M/N/V/W

ILL	DESCRIPTION	QTY	YEAR	REFERENCE #	PART #
REBUILDER KITS					
K4	Master deluxe rebuild kit	1	68-81	AE	K600M-R
K5	Master kit w/steels	1	55-67	AE	K600W
K5	Master kit w/steels	1	51-67	AE	K600V
K5	Master kit w/steels	1	67-72	AE	K600R
K5	Master kit w/steels	1	67-74	AE	K600N
K5	Master kit w/steels	1	68-81	AE	K600M
K6	Master kit w/o steels	1	55-67	AE	K600W-LS
K6	Master kit w/o steels	1	51-67	AE	K600V-LS
K6	Master kit w/o steels	1	67-72	AE	K600R-LS
K6	Master kit w/o steels	1	67-74	AE	K600N-LS
K6	Master kit w/o steels	1	68-81	AE	K600M-LS
K7	O/H gasket set w/seals-rings	1	55-67	AE	K6900W
K7	O/H gasket set w/seals-rings	1	51-67	AE	K6900V
K7	O/H gasket set w/seals-rings	1	67-74	AE	K6900N
K7	O/H gasket set w/seals-rings	1	68-81	AE	K6900M
K8	Kit, external seal	1	68-81	AE	K6900M-2
K11	Gasket and seal kit	1	51-67	AE	K6900V-1
K11	Gasket and seal kit	1	55-67	AE	K6900U-1
K11	Gasket and seal kit	1	67-74	AE	K6900N-1
K11	Gasket and seal kit	1	68-81	AE	K6900M-1
VALVE BODY KITS					
K15	Shift Kit®	1	67-72	SK® 3-67	K6253C
K15	Shift Kit®	1	73-81	SK® 3-73	K6253D
K15	Reprogramming Kit™	1	68-72	37-2	37-1
K15	Reprogramming Kit™	1	73-81	33-2	33-1
GASKETS AND RUBBER COMPONENTS					
E1	Gasket, oil pan	1	51-81	B5AZ-7A191-B	3565LX
E1	Gasket, oil pan	1	51-81	B5AZ-7A191-B	3565D
E1	Gasket, oil pan	1	55-72	B5SZ-7A191-B	3610LX
E1	Gasket, oil pan	1	55-72	B5SZ-7A191-B	3610D
E1	Gasket, oil pan	1	61-65	C1VP-7A191-B	3741LX
A2	Seal, lathe cut	1	51-81	B1AZ-7A136-A	3666
B4	Seal, lathe cut	1	68-81	D1AZ-7A548-A	13312
C5	Lip seal	1	68-81	C8AZ-7E212-A	13286
C6	Lip seal	1	68-81	C8AZ-7C051-A	13285
D7	Gasket	1	56-66	3150992	13297
D7	Gasket	1	67-71	3186571	13298
D7	Gasket	1	68-81	D2AZ-7086-A	13283A
D8	Gasket	1	68-81	C8AZ-7A222-A	13284
E9	O'ring	1	68-81	386078-S	3499L
n/i	O'ring	1	68-81	87036-S94	3410L
METAL CLAD SEALS					
A10	Seal, metal clad (w/o flange)	1	68-81	C2AZ-7A248-A	16601B
A10	Seal, metal clad	1	51-74	3151007	6550C
E11	Seal, metal clad 60x38x10mm (w/boot)	1	51-67	D5AZ-7052-B	16695E
E11	Seal, metal clad 60x38x12mm	1	51-68	D5AZ-7052-BNF	8850B
E11	Seal, metal clad (w/flange w/o boot)	1	55-68	D5AZ-7052-ANB	4743C
E11	Seal, metal clad (w/boot)	1	56-81	D5AZ-7052-A	16695C
E11	Seal, metal clad	1	61-65	C6VY-7052-A	6557G
E11	Seal, metal clad	1	65-67	B3TZ-7A011-A	6557M
E12	Seal, metal clad	1	51-81	C7AZ-7B498-A	6507A

ILL	DESCRIPTION		QTY	YEAR	REFERENCE #	PART #
SEALING RINGS						
K10	Kit, sealing ring (metal)	FMX	1	68-81	AE	K6909C
K10	Kit, sealing ring (metal)	small case	1	51-71	AE	K6909
K10	Kit, sealing ring (metal)	MX/medium case	1	55-68	AE	K6909A
K10	Kit, sealing ring (metal)	large case	1	58-65	AE	K6909B
K10	Kit, sealing ring (metal)	R12/CW	1	67-71	AE	K6909C
C12	Ring, sealing	FMX/small (forward clutch to sun gear/frt)	2	51-81	IP-77542-A	6230
C12	Ring, sealing	medium (forward clutch to sun gear/front)	2	55-71	B5SZ-77542-A	6230A
C13	Ring, sealing	FMX/small (direct clutch to sun gear/mid)	2	51-81	C0AZ-7C169-A	6231
C13	Ring, sealing	medium (direct clutch to sun gear/middle)	2	55-71	B5SZ-7C169-A	7516
C15	Ring, sealing	FMX/BW 8-12/SX/CW/R12 (rear/sun gear)	2	51-81	IP-77543-B	6235
D16	Ring, sealing (metal)	FMX (output shaft)	4	68-81	C6AZ-7D019-B	36401
D16	Ring, sealing (metal)	small/medium (output shaft)	4	51-67	IP-77883-A	6245
CLUTCH PLATES						
B18	Friction .060" 5.250" od 45T (grooved)	forward clutch (front housing)	4/5	51-81	C9AZ-7B164-A	6204G
B18	Friction .062" 5.250" od 45T	forward clutch (front housing)	4/5	56-71	B5AZ-7B164-B	6204M
B18	Friction .078" 5.250" od 45T (waffle)	forward clutch (front housing)	ar	67-81	C9AZ-7B164-D	6204P
B19	Steel .068" 3.903" id 54T (flat)	forward clutch (front housing)	3/4	51-81	C8AZ-7B442-A	6205
B19	Steel .090" 3.903" id 54T (oversized)	front/rear clutch	ar	68-81	C2AZ-7B442-A	6222B
C20	Friction .062" 5.250" od 45T	direct clutch (rear drum)	4/5	56-71	B5AZ-7B164-B	6204M
C20	Friction .095" 5.250" od 45T	direct clutch (rear drum)	5	56-66	C2AZ-7B164-A	6221G
C20	Friction .079" 5.250" od 45T	direct clutch (rear drum)	ar	68-81	C8AZ-7B164-G	6221B
C21	Steel .065" 3.903" id 50T (dished)	direct clutch (rear drum)	5	51-67	B1AZ-7B442-A	6222
C21	Steel .068" 3.903" id 54T (flat)	direct clutch (rear drum)	4/5	68-81	C8AZ-7B442-A	6205
PRESSURE PLATES						
B22	Pressure plate .254" (beveled)	FMX/MX front/forward clutch	1	68-81	C1AP-7B066-A	6307-R
C23	Pressure plate .313"	rear/direct clutch	1	68-81	B8SZ-7B437-A	6309-R
FILTERS						
K9	Kit, filter (felt)	FMX (neoprene/cork)	1	68-81	AE	FK6582F
K9	Kit, filter (felt)	FMX (Duraprene®)	1	68-81	AE	DK6582F
K9	Kit, filter (brass)	FMX (neoprene/cork)	1	68-81	AE	FK6582D
K9	Kit, filter (brass)	FMX (neoprene/cork)	1	68-81	AE	DK6582D
K9	Kit, filter (brass)	MX/medium case (neoprene/cork)	1	55-67	AE	FK6582G
K9	Kit, filter (brass)	MX/medium case (Duraprene®)	1	55-67	AE	DK6582G
K9	Kit, filter (brass)	SX/small case (neoprene/cork)	1	51-67	AE	FK6582C
K9	Kit, filter (brass)	SX/small case (Duraprene®)	1	51-67	AE	DK6582C
K9	Kit, filter (small flat brass)	R12/CW (neoprene/cork)	1	67-71	AE	FK6582H
K9	Kit, filter (small flat brass)	R12/CW (Duraprene®)	1	67-71	AE	DK6582H
E25	Filter, screen (felt)	FMX (1 suction hole)	1	68-81	D8AZ-7A098-A	6582F
E25	Filter, screen (brass)	FMX (1 suction hole)	1	68-81	D0AZ-7A098-A	6582D
E25	Filter, screen (brass)	MX/medium case (2 suction holes)	1	55-67	B9MP-7A098-B	6582G
E25	Filter, screen (brass)	SX/small case (2 suction holes)	1	51-67	B9AP-7A098-B	6582C
E25	Filter, screen (flat brass)	AMX/BW8/BW12/CW	1	67-71	3186706	6582H
n/i	Screen, filter	FMX (governor)	1	68-81	D1AZ-7E242-A	53712
MODULATORS						
E26	Modulator, vacuum-screw in-SAD	adjustable (blue)	1	68-81	C1AZ-7A377-B	16525D
E26	Modulator, vacuum-screw in-DAD	adjustable (orange)	1	73-81	D322-7A377-A	16525F
E26	Modulator, vacuum-screw in-SAD	adjustable (light green)	1	75-81	D5AZ-7A377-C	16525G
BANDS						
C28	Band, flex type	FMX (front/center lug)	1	73-82	D7AZ-7A162-A	6313X
C28	Band, rigid (thin paper lining)	front (center lug)	1	68-73	D2AZ-7A162-A	6313R-RL
C28	Band, rigid 1 15/16" (thin paper lining)	front (offset lug)(small case)	1	67-71	C7AZ-7A162-A	6313N-RL
C28	Band, rigid (thick lining)	front (center lug)(medium case)	1	55-66	C2AZ-7A162-A	6313C-RL
C28	Band, rigid 1 15/16" (thick lining)	front (offset lug)(small case)	1	55-66	C2AZ-7A162-B	6313E-RL



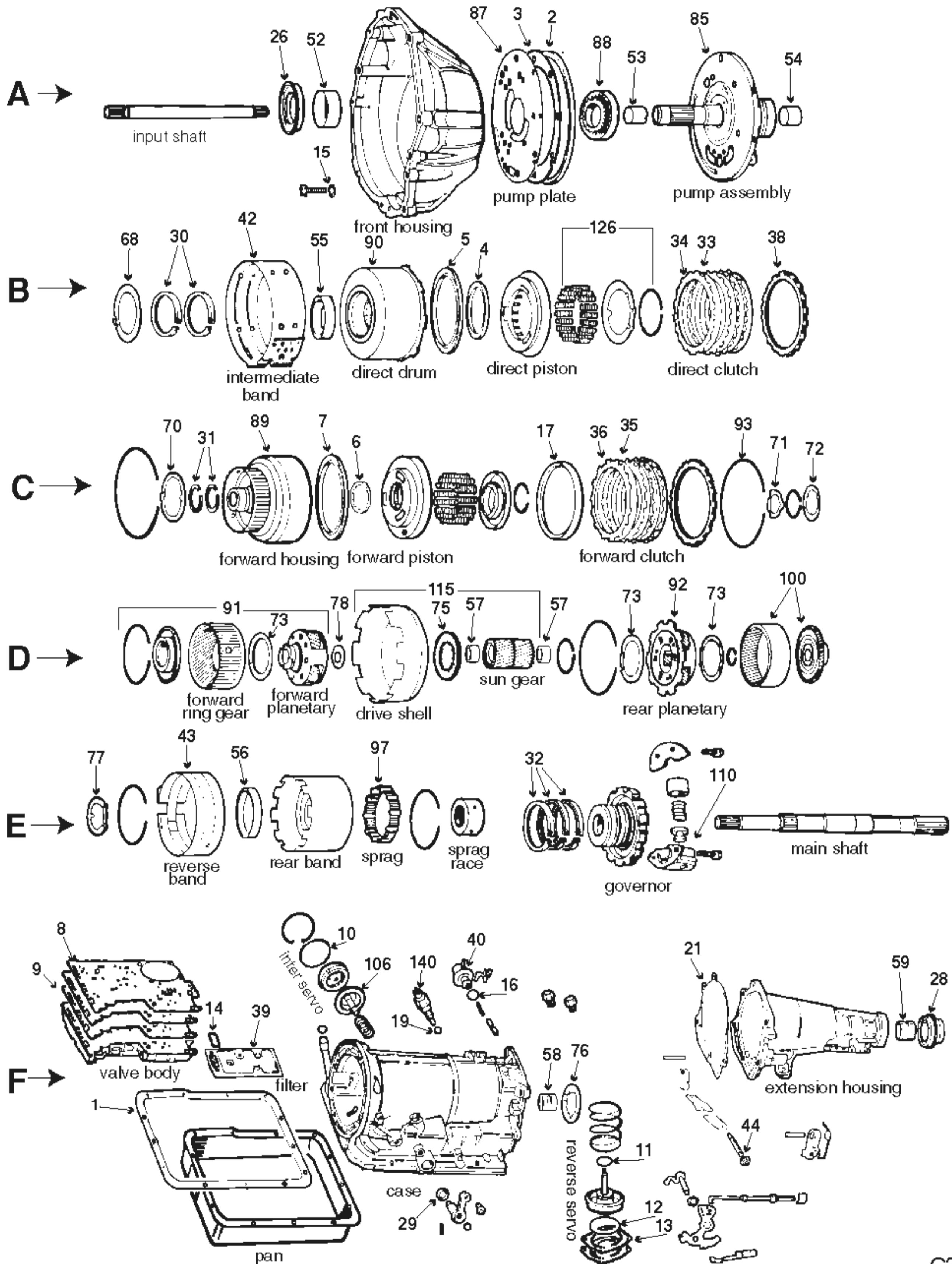
BW35/65/66/T35/65/66
 BW35TB/37TB
 19000/47000/58000

ILL	DESCRIPTION	QTY	YEAR	REFERENCE #	PART #
REBUILDER KITS					
K4	Master deluxe rebuild kit (w/o rear seal)	1	62-71	AE	K1900B-R
K4	Master deluxe rebuild kit (w/o rear seal)	1	63-76	AE	K1900X-R
K4	Master deluxe rebuild kit	1	73-76	AE	K4700-R
K4	Master deluxe rebuild kit	1	79-88	AE	K4700A-R
K5	Master kit w/steels (w/o rear seal)	1	62-71	AE	K1900B
K5	Master kit w/steels (w/o rear seal)	1	63-76	AE	K1900X
K5	Master kit w/steels	1	73-76	AE	K4700
K5	Master kit w/steels	1	79-88	AE	K4700A
K5	Master kit w/steels	1	68-80	AE	K5800
K5	Master kit w/steels	1	81-93	AE	K5800A
K6	Master kit w/o steels (w/o rear seal)	1	62-71	AE	K1900B-LS
K6	Master kit w/o steels (w/o rear seal)	1	63-76	AE	K1900X-LS
K6	Master kit w/o steels	1	71-76	AE	K4700-LS
K6	Master kit w/o steels	1	73-88	AE	K4700A-LS
K6	Master kit w/o steels	1	68-80	AE	K5800-LS
K6	Master kit w/o steels	1	81-93	AE	K5800A-LS
K7	O/H gasket set w/seals-rings	1	62-71	AE	K19900B
K7	O/H gasket set w/seals-rings	1	63-76	AE	K19900X
K7	O/H gasket set w/seals-rings	1	71-86	AE	K47900
K7	O/H gasket set w/seals-rings	1	73-88	AE	K47900A
K7	O/H gasket set w/seals-rings	1	68-80	AE	K58900
K7	O/H gasket set w/seals-rings	1	81-93	AE	K58900A
K11	Gasket and seal kit	1	62-71	AE	K19900A-1
K11	Gasket and seal kit	1	63-76	AE	K19900-1X
K11	Gasket and seal kit	1	71-88	AE	K47900-1
GASKETS AND RUBBER COMPONENTS					
F1	Gasket, oil pan	1	62-71	3164825	3744LX
F1	Gasket, oil pan	1	62-71	3164825	3744D
F1	Gasket, oil pan	1	63-76	211E7A191	3740LX
F1	Gasket, oil pan	1	63-76	D1RY-7A191-A	3740D
F1	Gasket, oil pan	1	73-88	04650-45008V	3745LX
F1	Gasket, oil pan	1	73-88	04650-45008V	3745D
A2	Seal, lathe cut	1	62-88	3165004	3822L
A3	Gasket, front pump	1	62-76	3164869	3823L
A3	Gasket, front pump	1	73-93	046-504-5007Y	3824L
B4	Seal, lathe cut	1	62-88	3165013	3826L
B5	Seal, lathe cut	1	62-88	3165012	3825L
C6	O'ring	1	62-88	3165050	3831L
C6	O'ring	1	70-71	3198561	13296
C7	Seal, lathe cut	1	62-88	3165009	3829L
F8	O'ring	1	62-93	3165014	3821L
E9	Gasket, extension housing	1	62-71	3170362	13930
E9	Gasket, extension housing	1	71-93	3164899	13930A
n/i	O'ring	1	62-66	3163632	3566
n/i	O'ring	1	62-69	3187389	3499L
METAL CLAD SEALS					
A10	Seal, metal clad	1	62-71	3183886	19605
A10	Seal, metal clad	1	71-93	04650-44001	47200
E11	Seal, metal clad (w/flange w/o boot)	1	63-65	3155168	4743C
E11	Seal, metal clad	1	63-75	D2RY-70502-B	19677
E11	Seal, metal clad 60x38x12mm	1	62-88	1251450	8850B
E11	Seal, metal clad 1.950" od (not in kit)	1	63-88	235728-3	47201A
E11	Seal, metal clad	1	73-76	046-504-4002H	47201

BW35•T35•BW35TB•BW37TB•BW65•BW66

BW35•T35•BW35TB•37TB•BW65•66

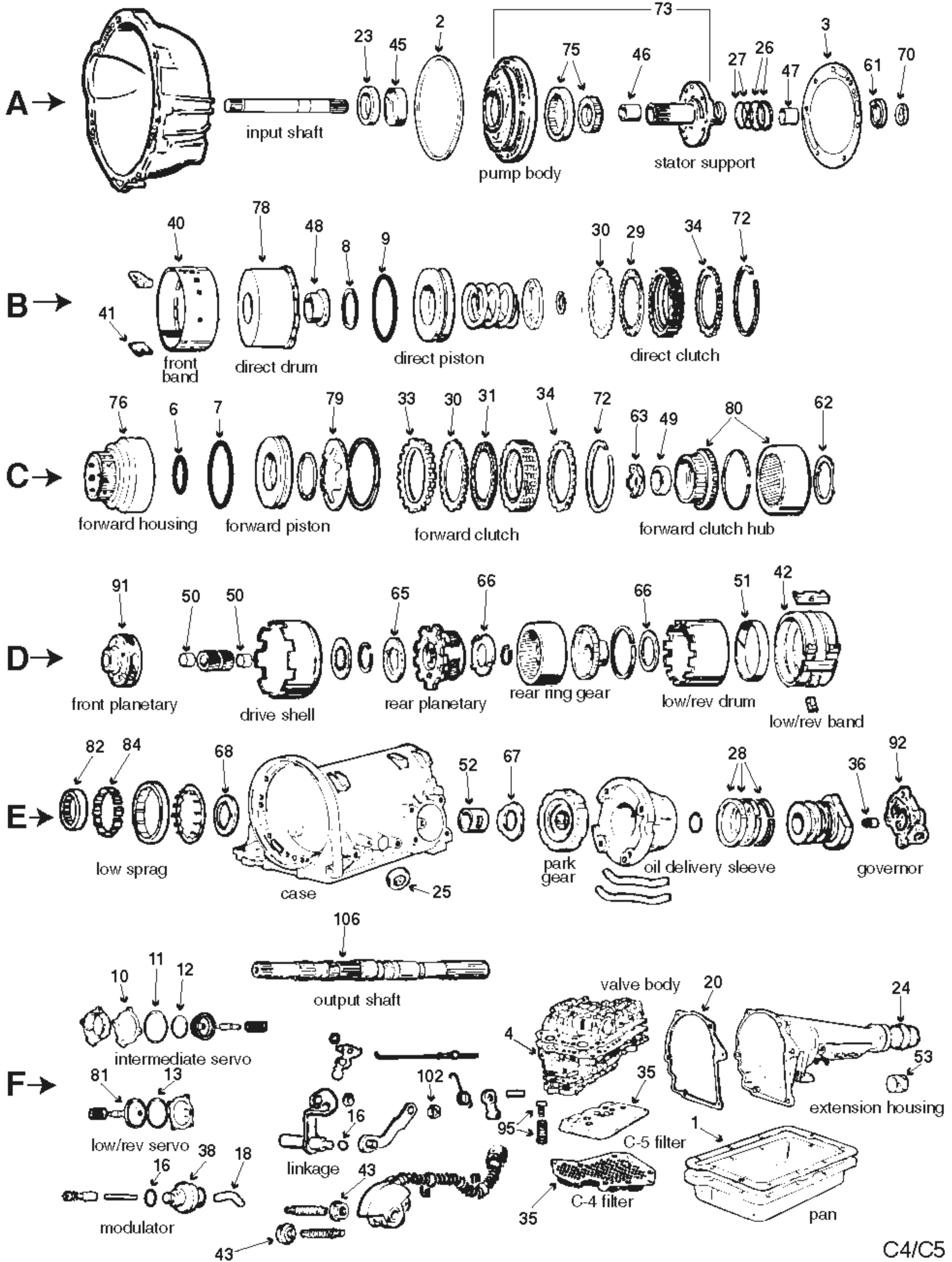
ILL	DESCRIPTION	QTY	YEAR	REFERENCE #	PART #	
METAL CLAD SEALS (CONTINUED)						
n/i	Seal, metal clad	BW65/66/T65/66 (manual lever shaft)	1	62-88	3154112	19675
SEALING RINGS						
K10	Kit, sealing ring	BW35/65/66/T35/65/66	1	62-88	AE	K19903B
C13	Ring, sealing	rear clutch drum	3	62-69	3164858	19215
D14	Ring, sealing	forward clutch (front sun gear) (small)	2	69-88	3165007	19216
D14	Ring, sealing	forward clutch (front sun gear) (large)	2	69-88	3186586	6235
D15	Ring, sealing	rear sun gear	1	62-65	3165008	19217
D15	Ring, sealing (teflon)	rear sun gear	1	66-88	3176130	19217A
E16	Ring, sealing	output shaft	3	62-88	3165806	19504
CLUTCH PLATES						
B17	Friction .061" 4.248" od 36T	forward clutch (front)	4/5	62-88	3198571	19206A
C17	Friction .061" 4.248" od 36T	direct clutch (rear)	4/5	62-88	3198571	19206A
B18	Steel .068" 3.134" id 40T	forward clutch (front)	3/4	62-88	3164873	19205
B18	Steel .090" 3.134" id 40T (oversized)	forward clutch (front)	ar	62-88	31648730S	19222X
B18	Steel .053" 3.134" id 40T (undersized)	forward clutch (front)	ar	62-88	3164873US	19205X
C20	Steel, dished .068" 3.125" id 40T	direct clutch (rear)	4/5	62-88	3164863	19222
C20	Steel .090" 3.134" id 40T (oversized)	direct clutch (rear)	ar	62-88	31648730S	19222X
C20	Steel .053" 3.134" id 40T (undersized)	direct clutch (rear)	ar	62-88	3164873US	19205X
FILTERS						
K9	Kit, filter (w/o shroud)	BW35/T35/type 2 USA (neoprene/cork)	1	62-66	AE	FK19755
K9	Kit, filter (w/o shroud)	BW35/T35/type 2 USA (Duraprene®)	1	62-66	AE	DK19755
K9	Kit, filter (w/shroud)(pistol grip type)	BW35/T35 USA (neoprene/cork)	1	67-71	AE	FK19757
K9	Kit, filter (w/shroud)(pistol grip type)	BW35/T35 USA (Duraprene®)	1	67-71	AE	DK19757
K9	Kit, filter (pistol grip type)	BW65/66/T65/66 (neoprene/cork)	1	71-88	AE	FK47800
K9	Kit, filter (pistol grip type)	BW65/66/T65/66 (Duraprene®)	1	71-88	AE	DK47800
F21	Filter screen (w/o shroud)	BW35/T35/type 1/2 (front)	1	62-66	3179973	19755
F21	Filter screen (w/shroud)	BW35/T35 (pistol grip type)(front)	1	67-71	3188896	19757
n/i	Filter screen (w/o shroud)	BW35/T35 (rear)	1	62-66	3164950	19756
n/i	Filter screen (w/shroud)	BW35/T35 (rear)	1	62-66	n/a	19756A
MODULATORS						
n/i	Mod type 2 adj screw in (brown)	AMC BW35/T35	1	61-71	4485870	19510A
BANDS						
C24	Band, flex type (1 17/32" wide)	front	1	62-88	3193718	19313F
C24	Band, solid (1 3/16" wide)	front	1	73-86	3188603	19313C
D25	Band, solid	will fit both front/rear	1	62-88	3187096	19313D
BUSHINGS						
K13	Kit, bushing	BW35/T35/type 1 non USA and type 2 USA	1	62-88	AE	K19902
A26	Bushing	BW35/T35/type 1/2 front pump body	1	62-88	3205306	19003
A27	Bushing	stator support (22 and 23 splines)(front)	1	62-88	3205309	19011
A27	Bushing	stator support (26 splines)(front)	1	69-88	19011A	19011A
A28	Bushing	BW35/T35/type 1/2 (stator support)(rear)	1	62-88	3205307	19009
A29	Bushing	BW35/T35/type 1/2 (front pump drive gear)	1	62-88	3205308	19006
B30	Bushing	BW35/T35/type 1/2 (input shaft)	1	62-88	3205301	19005
C31	Bushing	BW35/T35/type 1/2 (sun gear to rr cl drum)	1	62-88	3205303	19010
C32	Bushing	BW35/T35/type 1/2 (planetary support)	1	62-88	3205304	19008
E34	Bushing	BW35/T35/type 1/2 (output shaft)	1	62-88	3205305	19012
E35	Bushing	BW35/T35/type 1/2 (case)	1	62-88	3203639	19001
E36	Bushing 1.795" od .875" wide	extension housing (w/closed drive line)	1	62-65	3202124	19002A
E36	Bushing (babbitt)	BW35/T35/type 2 (hsg w/open dr line)	1	62-88	3203640	6014
E36	Bushing 1 5/16" od	Volvo/Datsun (extension housing)	1	63-75	235878-6	19002X



C3
27000

ILL	DESCRIPTION	QTY	YEAR	REFERENCE #	PART #	
REBUILDER KITS						
K4	Master deluxe rebuild kit	C3	1	74-77	AE	K2700-R
K4	Master deluxe rebuild kit	C3	1	78-87	AE	K2700A-R
K5	Master kit w/steels	C3	1	74-77	AE	K2700
K5	Master kit w/steels	C3	1	78-87	AE	K2700A
K6	Master kit w/o steels	C3	1	74-87	AE	K2700-LS
K7	O/H gasket set w/seals-rings	C3	1	74-87	AE	K27900B
K8	External seal kit	C3	1	74-87	AE	K27900-2
K11	Gasket and seal kit	C3	1	74-87	AE	K27900B-1
K28	Kit, reverse servo D'ring	C3	1	74-87	AE	K27900-3
VALVE BODY KITS						
K15	Shift Kit® passenger car and truck	C3	1	74-89	SK® C3	K27908
GASKETS AND RUBBER COMPONENTS						
F1	Gasket, oil pan	neoprene/cork	1	74-87	D5ZZ-7A191-B	13700X
F1	Gasket, oil pan	Duraprene®	1	74-87	D5ZZ-7A191-B	13700D
A2	Seal, lathe cut	pump to case	1	74-87	D5ZZ-7A248-A	13701
A3	Gasket	pump plate to case	1	74-87	E5TZ-7A136-B	13702
B4	Lip seal	direct clutch piston (inner)	1	74-76	E8TZ-7D404-A	13713
B4	Seal, lathe cut	direct clutch piston (inner)	1	77-87	D7ZZ-7D404-A	13713A
B5	Lip seal	direct clutch piston (outer/except 4.0L)	1	74-76	E8TZ-7A548-A	13714
B5	Seal, lathe cut	direct clutch piston (outer)	1	77-87	D7ZZ-7A548-A	13714A
C6	Seal, lathe cut	forward clutch piston (inner)	1	74-87	D4ZZ-7A548-B	13711
C7	Seal, lathe cut	forward clutch piston (outer)	1	74-87	D4ZZ-7A548-A	13712
F8	Gasket, valve body	upper	1	74-87	D4ZZ-7D100-B	13704
F9	Gasket, valve body	lower	1	74-87	D4ZZ-7D100-A	13705
F10	Seal, lathe cut	intermediate servo cover	1	74-87	D4ZZ-7D040-A	13706
F11	O'ring	rear servo piston (small)	1	74-87	D4ZZ-7423-B	3435L
F12	O'ring	rear servo piston (large)	1	74-87	D4ZZ-7423-A	13715
F13	Gasket	rear servo cover	1	74-87	D4ZZ-7L173-A	13708
F14	Gasket, rubber (seal)	filter	1	74-87	D4ZZ-7E062-A	13703
A15	Washer	pump bolt	8	74-87	E830124-S	13718
F16	O'ring	modulator	1	74-87	D853110-S	13707
C17	Rubber cushion	forward clutch	1	78-87	D8ZZ-7B070-A	13740
F19	O'ring	neutral safety switch	1	74-87	E853116-S	13710
F21	Gasket	extension housing	1	74-87	D4ZZ-7086-B	13709
n/i	O'ring	filler tube to case	1	74-87	87034-S94	3291L
n/i	O'ring	speedometer housing	1	74-87	87036-S94	3410L
n/i	O'ring	throttle valve shaft	1	74-87	386078-S	3499L
n/i	O'ring	oil cooler tubes	4	74-87	380892-S94	13327
n/i	Ball, check .250" od (viton)	valve body	5	74-87	E0AZ-7E195-A	13924
METAL CLAD SEALS						
A26	Seal, metal clad	front	1	74-87	D4ZZ-7A248-A	27601A
F28	Seal, metal clad (w/o boot)	extension housing	1	74-87	D5ZZ-7052-A	27695
F28	Seal, metal clad (w/o boot)	extension housing	1	74-87	E2ZZ-7052-A	27695
F29	Seal, metal clad	manual lever shaft	1	74-87	D5ZZ-7B498-A	6507A
SEALING RINGS						
K10	Kit, sealing ring		1	74-87	AE	K27901
B30	Ring, sealing	direct drum	2	74-87	D4ZZ-7D025-A	27228
C31	Ring, sealing (metal)	forward drum	2	74-87	D4ZZ-7D019-A	27227
E32	Ring, sealing (seal plated)	governor	3	74-87	F0TZ-7D011-A	27645

ILL	DESCRIPTION	QTY	YEAR	REFERENCE #	PART #
CLUTCH PLATES					
B33	Friction .075" 4.891" od 48T direct clutch	4/5	74-87	E3ZZ-7B164-B	27304
B34	Steel .078" 3.970" id 20T direct clutch	4/5	74-78	D4ZZ-7B442-B	27305
B34	Steel .068" 3.969" id 20T direct clutch	4/5	78-87	D8ZZ-7B442-B	27305A
B34	Steel .100" 3.969" id 20T (oversized) direct clutch	ar	74-87	D4ZZ-7B442-BOS	27305X
C35	Friction .075" 4.652" od 72T forward clutch	3/5	74-87	E3ZZ-7B164-A	27404
C36	Steel .078" 3.800" id 19T forward clutch	3/5	74-78	D4ZZ-7B442-A	27505
C36	Steel .068" 3.801" id 19T forward clutch	4/5	78-87	D8ZZ-7B442-A	27505A
C36	Steel .100" 3.801" id 19T (oversized) forward clutch	ar	74-87	D4ZZ-7B442-AOS	27505X
PRESSURE PLATES					
C37	Pressure plate .202" 19T forward clutch	1	74-87	D4ZZ-7B066-A	27307-R
B38	Pressure plate .202" 20T direct clutch	1	74-87	D4ZZ-7B066-B	27307A-R
FILTERS					
K9	Kit, filter neoprene/cork	1	74-87	AE	FK27800
K9	Kit, filter Duraprene®	1	74-87	AE	DK27800
F39	Filter	1	74-87	D4ZZ-7A098-A	27800
MODULATORS					
F40	Modulator (white stripe) SAD (6 cylinder)	1	81-87	E1SZ-7A377-A	27830B
F40	Modulator SAD	1	74-87	D6ZZ-7A377-A	27830A
F40	Modulator DAD	1	74-76	D4ZZ-7A377-B	27830
F40	Modulator (black stripe) SAD (4 cylinder)	1	81-87	E1ZZ-7A377-B	27830D
F40	Modulator (green stripe) SAD (6 cylinder)	1	81-87	E1SZ-7A377-C	27830C
BANDS					
B42	Band, flex intermediate	1	74-87	E8TZ-7D034-A	27320F
E43	Band, rigid reverse	1	74-87	E3ZZ-7D095-A	27520A
E43	Band, rigid reverse	1	74-87	E3ZZ-7D095-A	27520A-R
F44	Nut, band adjusting (w/seal) coarse thread	1	74-87	380850-S	26610
BUSHINGS					
K13	Kit, bushing	1	74-87	AE	K27905
A52	Bushing (bronze) front/bell housing	1	74-87	n/a	27001A
A52	Bushing (babbitt) front/bell housing	1	74-87	n/a	27001B
A52	Bushing (seal-sure) front/bell housing	1	74-87	56001SS	27001X
A53	Bushing pump assembly (front)	1	74-87	n/a	27000
A54	Bushing pump assembly (rear)	1	74-87	n/a	27000A
B55	Bushing direct drum (cast iron drum only)	1	74-87	n/a	27002
B55	Bushing (bronze) direct drum	1	85-87	90DT-7D046-A	27002B
E56	Bushing reverse drum (except 4.0L)	1	74-87	n/a	27004
D57	Bushing sun gear	2	74-87	74DT-7D065-AA	27003
F58	Bushing case	1	74-87	n/a	27005
F59	Bushing extension housing	1	74-87	D7FZ-7A034-A	16001A
WASHERS/BEARINGS/RACES/SHIMS					
K14	Kit, thrust washer w/o selective	1	74-87	AE	K27907
B68	Thrust washer (metal) .055" pump to center support	sel	74-87	D4ZZ-7D014-A	27209A
B68	Thrust washer (plastic) .063" (#2) pump to center support	sel	74-87	D4ZZ-7D014-B	27209B
B68	Thrust washer (plastic) .078" (#3) pump to center support	sel	74-87	D4ZZ-7D014-C	27209C
B68	Thrust washer (plastic) .094" (#4) pump to center support	sel	74-87	D4ZZ-7D014-D	27209D
B68	Thrust washer (plastic) .109" (#5) pump to center support	sel	74-87	D4ZZ-7D014-E	27209E
C70	Thrust washer direct drum	1	74-87	D4ZZ-7C096-A	27210
C71	Thrust washer (3 tabs) forward housing to forward planetary	1	74-87	D4ZZ-7D090-A	27211A
C72	Thrust washer (4 tabs) forward housing to forward ring gear hub	1	74-87	D4ZZ-7D090-B	27211
D73	Thrust washer (6 tabs outer) front/rear w/aluminum planetary to hub	3	74-87	D4ZZ-7A166-A	27213
D75	Thrust washer (metal) 27T internal drive shell to sun gear	1	74-87	D4ZZ-7D066-A	27215
F76	Thrust washer case to park gear	1	74-87	D4ZZ-7B368-B	27216
E77	Thrust washer rear ring gear hub to case	1	74-87	D4ZZ-7D422-A	27218



C4/C5
26000/M

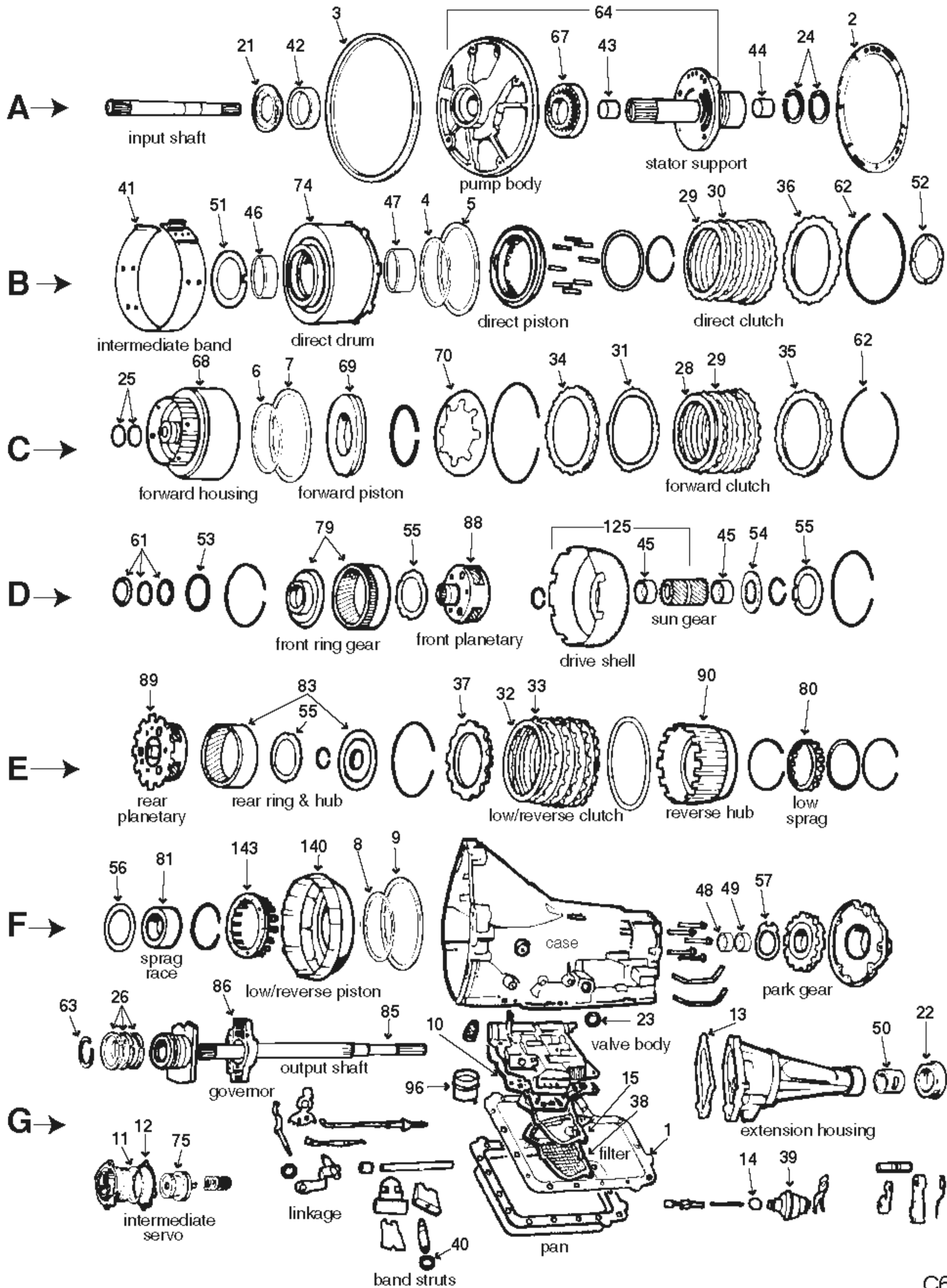
ILL	DESCRIPTION	QTY	YEAR	REFERENCE #	PART #
TECHNICAL MANUALS					
K53	Tech manual C4/C5 dis/assembly diagnosis/troubleshooting	1	64-86	83-C5TM	010-201
REBUILDER KITS					
K4	Master deluxe rebuild kit C4	1	64-69	AE	K2600C-R
K4	Master deluxe rebuild kit C4	1	70-77	AE	K2600D-R
K4	Master deluxe rebuild kit C4	1	78-81	AE	K2600F-R
K4	Master deluxe rebuild kit C5	1	82-86	AE	K2600M-R
K4	Master deluxe rebuild kit C4 (high performance)	1	70-77	AE	H2600D-R
K5	Master kit w/steels C4	1	64-69	AE	K2600C
K5	Master kit w/steels C4	1	70-77	AE	K2600D
K5	Master kit w/steels C4	1	78-81	AE	K2600F
K5	Master kit w/steels C5	1	82-86	AE	K2600M
K6	Master kit w/o steels C4	1	64-69	AE	K2600C-LS
K6	Master kit w/o steels C4	1	70-77	AE	K2600D-LS
K6	Master kit w/o steels C4	1	78-81	AE	K2600F-LS
K6	Master kit w/o steels C5	1	82-86	AE	K2600M-LS
K7	O/H gasket set w/seals-rings C4	1	64-69	AE	K26900C
K7	O/H gasket set w/seals-rings C4	1	70-77	AE	K26900D
K7	O/H gasket set w/seals-rings C4	1	78-81	AE	K26900F
K7	O/H gasket set w/seals-rings C5	1	82-86	AE	K26900M
K8	External seal kit C4/C5	1	64-86	AE	K26900-2
K11	Gasket and seal kit C4	1	64-69	AE	K26900C-1
K11	Gasket and seal kit C4	1	70-77	AE	K26900D-1
K11	Gasket and seal kit C5	1	82-86	AE	K26900M-1
VALVE BODY KITS					
K15	Shift Kit® passenger car C4 (including early 1965 Mustang)	1	64-64	SK® 4	K26908
K15	Shift Kit® passenger car C4 (except early 1965 Mustang)	1	65-66	SK® 4L	K26908A
K15	Shift Kit® passenger car C4 (6 cyl)	1	67-67	SK® 4S	K26908B
K15	Shift Kit® passenger car C4 (exc 1967 6 cyl)	1	67-69	SK® 4SL	K26908C
K15	Shift Kit® passenger car C4 (exc 1972 w/push-in modulator)	1	70-72	SK® 71	K26908E
K15	Shift Kit® passenger car and truck C4/C5	1	73-86	SK® C5	K26908F
K15	Reprogramming Kit™ C4	1	67-69	47-2	47-2
K15	Reprogramming Kit™ C4	1	70-81	40-2	40-2
K15	Reprogramming Kit™ stick shift C4	1	70-81	40-3	40-3
K15	Shift Improver Kit C4	1	67-69	50260	114-50260
K15	Shift Improver Kit C4	1	70-82	50262	114-50262
K15	Transpak™ C4	1	64-66	50227	114-50227
K15	Transpak™ C4	1	70-82	50229	114-50229
GASKETS AND RUBBER COMPONENTS					
F1	Gasket, oil pan neoprene/cork	1	64-86	D60Z-7A191-A	13265X
F1	Gasket, oil pan Duraprene®	1	64-86	D0DZ-7A191-B	13265D
A2	O'ring C4 (pump body to case)	1	64-66	376950-S	3971L
A3	Gasket C4/C5 (pump body to case)	1	64-86	E1AZ-7A136-A	13261
F4	Gasket, valve body separator plate C4	1	65-66	C5AZ-7D100-B	13215
F4	Gasket, valve body separator plate C4	1	67-69	E2DZ-7F49-A	13281
F4	Gasket, valve body separator plate 4 cyl/V6	1	70-80	D40P-7D100-A/B	13302
F4	Gasket, valve body separator plate V8/inline 6	1	70-81	D7FZ-7D100-A	13305
F4	Gasket, valve body separator plate C5	1	82-86	E3DZ-7D100-A	13313
C6	O'ring C4 (forward clutch piston inner)	1	64-70	B5AZ-7A294-E	3366AL
C6	O'ring C4/C5 (forward clutch piston inner)	1	70-86	D0AZ-7A294-A	13329
C7	Seal, lathe cut C4 (forward clutch piston outer)	1	64-78	C4AZ-7A548-C	3930L
C7	Lip seal C4/C5 (forward clutch piston outer)	1	79-86	D80P-7A548-AA	13328
B8	O'ring C4 (direct clutch piston inner)	1	64-67	B5AZ-7A294-E	3366AL
B8	Seal, lathe cut C4/C5 (direct clutch piston inner)	1	68-86	D0AZ-7D404-A	13263

ILL	DESCRIPTION	QTY	YEAR	REFERENCE #	PART #
GASKETS AND RUBBER COMPONENTS (CONTINUED)					
B9	Seal, lathe cut C4 (direct clutch piston outer)	1	64-81	C8AZ-7A548-B	3929L
B9	Lip seal C4/C5 (direct clutch piston outer)	1	81-86	E1AZ-7A548-A	3932L
F10	Gasket C4/C5 (intermediate servo cover)	1	64-86	C4AZ-7D026-C	13259
F11	Seal, lathe cut 3.390" id C4 (intermediate servo piston large)	1	64-81	D5TZ-7D024-A	3934L
F11	Seal, lathe cut 2.869" id C4 (intermediate servo piston large)	1	72-81	D2DZ-7D024-A	13475
F11	O'ring 3.489" id C5 (intermediate servo piston large)	1	81-83	E1AZ-7D024-A	3941L
F12	Seal, lathe cut 2.381" id C4/C5 (intermediate servo piston small)	1	64-85	D9AZ-7D025-A	13240
F12	Seal, lathe cut 2.505" id C4 (intermediate servo piston small)	1	64-80	D5TZ-7D025-A	13243
F12	Seal, lathe cut 2.582" id C4 (intermediate servo piston small)	1	68-72	C8CZ-7D025-A	13282
F12	O'ring 2.550" id C5 (intermediate servo piston small)	1	81-86	E1AZ-7P025-A	13224
F12	O'ring 2.250" id (red stripe) C5 (intermediate servo piston small)	1	82-86	E2SZ-7D025-A	13862
F12	O'ring 2.362" id C5 (intermediate servo piston small)	1	82-86	E2DZ-7D025-A	13244
F13	Seal, lathe cut C4/C5 (rear servo cover)	1	64-86	D0FZ-7D040-A	13325
F16	O'ring C4/C5 (throttle valve shaft)	1/2	64-86	386078-S	3499L
F16	Gasket C4 (vacuum modulator screw in)	1	64-71	C1AP-7BH26-A	3395L
F18	Hose, vacuum (90°) C4/C5	1	64-86	C1AZ-7B087-E	13566
F20	Gasket C4/C5 (extension housing)	1	64-86	C4AZ-7086-C	3939L
n/i	Gasket C5 (auxiliary valve body)	1	82-86	E2DZ-7F497-A	13314
n/i	Ball, check .218" od (viton) C4/C5	2/4	64-86	C7AZ-7E195-A	13923
n/i	O'ring C4/C5 (filler tube to case)	1	64-86	87034-S94	3291L
n/i	O'ring C4/C5 (speedo to case)	1	64-86	87036-S94	3410L
n/i	O'ring C4/C5 (oil cooler tubes)	4	65-86	380892-S94	13327
n/i	Check valve (hockey puck) C4 (intermediate servo accumulator)	1	64-80	C5AZ-7D376-A	13222
n/i	Gasket (metal) C4 (filter)	1	70-81	D3BZ-7E062-A	13326
METAL CLAD SEALS					
A23	Seal, metal clad (w/o flange) front	1	64-86	C2AZ-7A248-A	16601B
F24	Seal, metal clad with bolt on yoke	1	64-72	C4UZ-7052-A	16695F
F24	Seal, metal clad 60x38x10mm (w/boot) rear (extension housing)	1	64-86	D5AZ-7052-B	16695E
F24	Seal, metal clad 60x38x12mm rear (extension housing)	1	64-86	D5AZ-7052-BNF	8850B
E25	Seal, metal clad manual lever shaft	1	64-86	D5ZZ-7B498-A	6507A
SEALING RINGS					
K10	Kit, sealing ring C4 (7 metal rings)	1	64-69	AE	K26901
K10	Kit, sealing ring C4 (7 metal rings)	1	70-77	AE	K26901A
K10	Kit, sealing ring C4/C5 (7 metal rings)	1	78-86	AE	K26901C
A26	Ring, sealing C4 (stator support to forward drum)	2	64-69	C4AZ-7D019-B	26225
A26	Ring, sealing C4 (stator support to forward drum)	2	70-77	D0AZ-7A019-A	26227
A26	Ring, sealing (metal) 1/8" thick C4/C5 (stator support to forward drum)	2	78-86	D7AZ-7D019-A	26227A
A26	Ring, sealing (teflon) 1/8" thick C4/C5 (stator support to forward drum)	2	78-86	D7AZ-7D019-A	26227AT
A27	Ring, sealing C4 (stator support to direct drum)	2	64-69	C4AZ-7D020-A	26226
A27	Ring, sealing (metal) C4/C5 (stator support to direct drum)	2	70-86	D0AZ-7D020-A	26228
A27	Ring, sealing (teflon) C4/C5 (stator support to direct drum)	2	70-86	D0AZ-7D020-A	26228T
E28	Ring, sealing (metal) C4/C5 (governor)	3	64-86	C4AZ-7D011-A	26645
E28	Ring, sealing (teflon) C4/C5 (governor)	3	64-86	C4AZ-7D011-A	26645T
CLUTCH PLATES					
B29	Friction .090" 4.556" od 42T (waffle) C4 (direct clutch)	3/4	64-64	C4AZ-7B164-D	26304A
B29	Friction .078" 4.556" od 42T (grooved) C4/C5 (direct clutch)	3/4	65-86	E2SZ-7B164-A	26304B
B29	Friction .061" 4.556" od 42T (high performance) C4/C5 (direct clutch)	4/5	64-86	C8AZ-7B164-DHP	26404H
B30	Steel .078" 3.596" id 26T C4/C5 (direct clutch)	3/4	64-86	C4AZ-7B442-B	26305A
B30	Steel .078" 3.596" id 26T (Kolene®) C4/C5 (direct clutch)	3/4	64-86	C4AZ-7B442-BK	26305K
B30	Steel .090" 3.596" id 26T (oversized) C4/C5 (direct clutch)	ar	64-86	E2SZ-7B442-A	26305X
C30	Steel .078" 3.596" id 26T C4/C5 (forward clutch)	4/5	64-86	C4AZ-7B442-B	26305A
C30	Steel .078" 3.596" id 26T (Kolene®) C4/C5 (forward clutch)	4/5	64-86	C4AZ-7B442-BK	26305K
C30	Steel .090" 3.596" id 26T (oversized) C4/C5 (forward clutch)	ar	64-86	E2SZ-7B442-A	26305X

ILL	DESCRIPTION	QTY	YEAR	REFERENCE #	PART #
CLUTCH PLATES (CONTINUED)					
C31	Friction .061" 4.556" od 42T (smooth) C4/C5 (forward clutch)	4/5	64-86	C8AZ-7B164-D	26404B
C31	Friction .061" 4.556" od 42T (high performance) C4/C5 (forward clutch)	4/5	64-86	C8AZ-7B164-DHP	26404H
PRESSURE PLATES					
B33	Pressure plate .267" (beveled) C4 (forward clutch)	1	64-81	C8AZ-7B066-C	26307C-R
B33	Pressure plate .313" (beveled) C5 (forward clutch)	1	81-86	E1AZ-7B066-A	26307E-R
B34	Pressure plate .220" C4 (direct clutch)	1	64-81	C4AZ-7B066-A	26307D-R
C34	Pressure plate .220" C4 (forward clutch)	1	64-81	C4AZ-7B066-A	26307D-R
C34	Pressure plate .297" C4/C5 (forward clutch)	1	82-86	E2SZ-7B066-B	26307G-R
B34	Pressure plate .141" C5 (direct clutch)	1	81-86	E1AZ-7B066-B	26307F-R
C34	Pressure plate .141" C5 (forward clutch)	1	81-86	E1AZ-7B066-B	26307F-R
FILTERS					
K9	Kit, filter C4 (neoprene/cork)	1	64-64	AE	FK26422
K9	Kit, filter C4 (Duraprene®)	1	64-64	AE	DK26422
K9	Kit, filter C4 (neoprene/cork)	1	65-69	AE	FK26422A
K9	Kit, filter C4 (Duraprene®)	1	65-69	AE	DK26422A
K9	Kit, filter C4 (neoprene/cork)	1	70-81	AE	FK26422B
K9	Kit, filter C4 (Duraprene®)	1	70-81	AE	DK26422B
K9	Kit, filter Bronco C4 (neoprene/cork)	1	73-77	AE	FK26422D
K9	Kit, filter Bronco C4 (Duraprene®)	1	73-77	AE	DK26422D
K9	Kit, filter (w/deep pan) C4 (neoprene/cork)	1	74-81	AE	FK26422C
K9	Kit, filter (w/deep pan) C4 (Duraprene®)	1	74-81	AE	DK26422C
K9	Kit, filter C5 (neoprene/cork)	1	82-86	AE	FK26422M
K9	Kit, filter C5 (Duraprene®)	1	82-86	AE	DK26422M
K9	Kit, filter (w/deep pan) C5 (neoprene/cork)	1	83-86	AE	FK26422N
K9	Kit, filter (w/deep pan) C5 (Duraprene®)	1	83-86	AE	DK26422N
F35	Filter (screen) C4	1	64-64	C4AZ-7A098-B	26422
F35	Filter (screen) including 70 Falcon/Maverick	1	65-69	C5AZ-7A098-C	26422A
F35	Filter (screen)(w/shallow pan) C4	1	70-81	D0DZ-7A098-B	26422B
F35	Filter (screen) Bronco	1	73-77	D3BZ-7A098-A	26422D
F35	Filter (screen)(w/deep pan) Bobcat/Mustang/Pinto/Versailles	1	74-81	D4FZ-7A098-A	26422C
F35	Filter (screen) C5	1	82-86	E2DZ-7A098-A	26422M
F35	Filter (screen)(4WD/w/deep pan) C5	1	83-86	E3TZ-7A098-A	26422N
E36	Screen, filter C4/C5 (governor)	1	67-86	C7AZ-7E242-A	26712
MODULATORS					
F38	Modulator (white stripe adjustable) C4 (SAD screw in)	1	64-72	C4AZ-7A377-B	26830
F38	Modulator (yellow stripe adjustable) C4 (SAD push in)	1	72-84	D2AZ-7A377-A	26830C
F38	Modulator (red stripe adjustable) C4 (DAD push in)(substitute SAD ok)	1	73-76	D3OZ-7A377-A	26830B
F38	Modulator (green stripe adjustable) C4/C5 (SAD push in)	1	74-86	D5AZ-7A377-B	26830D
F38	Modulator (blue stripe adjustable) C4 (SAD push in)(250/302 eng)	1	79-81	D9AZ-7A377-A	26830E
F38	Modulator (white stripe adjustable) C5 (SAD push in)	1	82-86	E2TZ-7A377-A	26830F
BANDS					
B40	Band (narrow) C4 (front w/o arrow)	1	64-65	AE	26320A-RL
B40	Band (narrow) C4 (front w/arrow)	1	64-65	AE	26320B-R
B40	Band (wide) C4 (front should use 26320F)	1	66-68	AE	26320D-RL
B40	Band, flex C4/C5 (front)	1	65-86	D9AZ-7D034-A	26320F
B40	Band, flex C4/C5 (front snap band)	1	65-86	AE	26320S
B41	Strut, band C4/C5 (intermediate)	1	65-86	D3AZ-7D029-B	26611-R
D42	Band C4/C5 (rear/reverse)	1	64-86	D0AZ-7D095-A	26520A
D42	Band C4/C5 (rear/reverse)	1	64-86	D0AZ-7D095-A	26520A-R
F43	Nut, band adjusting (w/seal) C4/C5 (coarse thread)	1/2	64-86	380850-S	26610
F43	Nut, band adjusting (w/seal) C5 (fine thread)	1	81-86	389049-S	26610A

ILL	DESCRIPTION	QTY	YEAR	REFERENCE #	PART #
BUSHINGS					
K13	Kit, bushing (complete) C4	1	64-69	AE	K26905
K13	Kit, bushing (complete) C4/C5	1	70-86	AE	K26905A
A45	Bushing (babbit) C4/C5 (pump body)	1	64-86	C0AP-7B258-A	26001A
A45	Bushing (bronze) C4/C5 (pump body)	1	64-86	C0AP-7B258-A	26001C
A46	Bushing C4 (stator front)	1	64-69	C4AZ-7B261-A	26000
A46	Bushing C4/C5 (stator front)	1	70-86	D0AZ-7B261-A	26000C
A47	Bushing C4 (stator rear)	1	64-69	C4AZ-7D018-B	26000B
A47	Bushing C4/C5 (stator rear)	1	70-86	D0AZ-7D018-A	26000D
B48	Bushing C4 (direct drum)	1	64-69	C4AZ-7D046-A	26002
B48	Bushing C4/C5 (direct drum)	1	70-86	D0AP-7D046-B	26002A
C49	Bushing C4/C5 (forward clutch hub)	1	66-86	C6AZ-7E059-A	26008
D50	Bushing C4/C5 (sun gear)	2	64-86	C4AZ-7D065-A	26003
D51	Bushing C4/C5 (low/reverse drum)	1	64-86	C4AZ-7D001-A	26004
E52	Bushing C4/C5 (case rear)	1	64-86	C4AZ-7025-A	26005
F53	Bushing (babbit) C4/C5 (extension housing)	1	64-86	B3TZ-7A034-A	6014
WASHERS/BEARINGS/RACES/SHIMS					
K14	Kit, thrust washer C4/C5 (w/o selectives)	1	64-86	AE	K26902
K14	Kit, thrust washer C4 (w/popular selectives)	1	64-69	AE	K26902A
K14	Kit, thrust washer C4/C5 (w/popular selectives)	1	70-86	AE	K26902B
K14	Kit, thrust washer C4 (pump selectives)	1	64-66	AE	K26906
K14	Kit, thrust washer C4/C5 (pump selectives)	1	66-86	AE	K26906A
K14	Kit, thrust washer C4/C5 (reverse selectives)	1	64-86	AE	K26904
A61	Thrust washer .038"-.042" C4 (pump w/o tangs)	sel	64-66	C4AZ-7D014-A	26209
A61	Thrust washer .053"-.057" C4 (pump w/o tangs)	sel	64-66	C4AZ-7D014-B	26209A
A61	Thrust washer .070"-.074" C4 (pump w/o tangs)	sel	64-66	C4AZ-7D014-C	26209B
A61	Thrust washer .087"-.091" C4 (pump w/o tangs)	sel	64-66	C4AZ-7D014-D	26209C
A61	Thrust washer .106"-.110" C4 (pump w/o tangs)	sel	64-66	C4AZ-7D014-E	26209D
A61	Thrust washer .072" (green plastic #1) C4/C5 (pump w/tangs)	sel	66-86	D0AZ-7D014-A	26209G
A61	Thrust washer .089" (natural plastic #2) C4/C5 (pump w/tangs)	sel	66-86	D0AZ-7D014-B	26209H
A61	Thrust washer .106" (black plastic #3) C4/C5 (pump w/tangs)	sel	66-86	D0AZ-7D014-C	26209J
A61	Thrust washer .123" (yellow plastic #4) C4/C5 (pump w/tangs)	sel	66-86	D0AZ-7D014-D	26209K
A61	Thrust washer .140" (blue plastic #5) C4/C5 (pump w/tangs)	sel	66-86	D0AZ-7D014-K	26209L
C62	Thrust washer C4/C5 (rear clutch hub to front planetary)	1	64-86	C4AZ-7A242-A	26215
C63	Thrust washer (3 tabs) C4 (forward clutch hub)	1	64-69	C4AZ-7D090-A	26401
C63	Thrust washer 1 1/8" id 2 15/16" od C4/C5 (forward clutch hub)(3 tabs)	1	70-86	D0AZ-7D090-A	26401A
D65	Thrust washer C4/C5 (input shell to rear planetary)	1	64-86	C4AZ-7A242-A	26215
D65	Thrust washer 2 3/32" id C4/C5 (input shell to rear planetary)	1	72-86	D20Z-7A242-A	26215A
D66	Thrust washer rear planet to rear ring gear to rev drum	2	64-86	E0AZ-7C096-B	26504
E67	Thrust washer (3 external slots) C4/C5 (park gear)	1	64-86	C4AZ-7B368-A	26609-R
E68	Thrust washer C4/C5 (sprag inner race to case)	1	64-86	E0AZ-7D072-A	26605
A70	Thrust washer .041"-.043" (#1) C4/C5 (stator to forward drum)	sel	64-86	D0AZ-7D091-F	26212
A70	Thrust washer .056"-.058" (#2) C4/C5 (stator to forward drum)	sel	64-86	D0AZ-7D091-B	26212A
A70	Thrust washer .073"-.075" (#3) C4/C5 (stator to forward drum)	sel	64-86	D0AZ-7D091-C	26212B
A70	Thrust washer .090"-.092" (#4) C4/C5 (stator to forward drum)	sel	64-86	D0AZ-7D091-J	26212C
A70	Thrust washer .107"-.109" (#5) C4/C5 (stator to forward drum)	sel	64-86	D0AZ-7D091-K	26212D
n/i	Bearing, ball .825" 3.145" od 1.378" id C4/C5 (extension housing bolt on yoke)	1	64-86	C3AZ-7025-B	6307N
SNAP RINGS					
B72	Snap ring .070"-.080" 5" od C4/C5 (direct clutch)	sel	64-86	D0AZ-7A577-A	26310
B72	Snap ring .060"-.066" 5" od C4/C5 (direct clutch)	sel	64-86	D9AZ-7A577-AS	26310A
B72	Snap ring .088"-.094" 5" od C4/C5 (direct clutch)	sel	64-86	D9AZ-7A577-D	26310B
B72	Snap ring .102"-.106" 5" od C4/C5 (direct clutch)	sel	64-86	D0AZ-7A577-B	26310C
B72	Snap ring 5" od (wave type) C4/C5 (direct clutch)	1	81-86	E1AZ-7A577-A	26310D
C72	Snap ring .070"-.080" 5" od C4/C5 (forward clutch)	sel	64-86	D0AZ-7A577-A	26310

ILL	DESCRIPTION	QTY	YEAR	REFERENCE #	PART #
SNAP RINGS (CONTINUED)					
C72	Snap ring .060"-.066" 5" od	C4/C5 (forward clutch)	sel	64-86	D9AZ-7A577-A 26310A
C72	Snap ring .088"-.094" 5" od	C4/C5 (forward clutch)	sel	64-86	D9AZ-7A577-D/ 26310B
C72	Snap ring .102"-.106" 5" od	C4/C5 (forward clutch)	sel	64-86	D0AZ-7A577-B 26310C
C72	Snap ring 5" od (wave type)	C4/C5 (forward clutch)	sel	64-86	E1AZ-7A577-A 26310D
PUMP PARTS AND PUMPS					
A73	Pump assembly (complete)	C4 (exchange)	1	64-69	C4AZ-7A103-G 26200C-R
A73	Pump assembly (complete)	C4 (exchange)	1	70-77	D0AZ-7A103-G 26200D-R
A73	Pump assembly (complete)	C4 (exchange)(wide forward seal rings)	1	70-81	D7AZ-7A103-A 26200E-R
A73	Pump assembly (complete)	C5 (exchange)	1	82-86	E2SZ-7A103-A 26200F-R
A75	Gear set, pump	C4/C5	1	64-86	C4AZ-7C010-F K26201
HARD PARTS					
C76	Housing, forward 24 spline 5 clutch	C4/C5	1	71-81	D80Z-7A360-A 26400B-R
B78	Drum, direct 4 clutch	C4/C5	1	70-81	D0AZ-7D044-A 26300D-R
C79	Spring, diaphragm	C4/C5 (forward clutch)	1	64-86	E1AZ-7B070-A 26406
C79	Spring, diaphragm	C4/C5 (forward clutch)	1	64-86	E1AZ-7B070-A 26406-R
C80	Hub, forward clutch	C4/C5	1	65-81	C5AZ-7B067-B 26426A-R
F81	Piston, bonded rubber	C4/C5 (reverse servo)	1	64-86	D1AZ-7D189-A 26528A
E82	Race, inner sprag	C4/C5	1	64-86	D4AZ-7D171-A 26600-R
D91	Planetary, front	C4/C5	1	64-86	C4AZ-7A398-F 26412B-R
E92	Governor assembly (various)	C4/C5	1	64-86	C4AZ-7C063-B 26615A-R
F95	Kit, throttle timing valve and spring	C4/C5	1	70-81	MC4713 K26909
F102	Grommet	C4/C5 (shift lever/large)	1	67-79	26711 96-125
F102	Grommet 5/16" id 1/2" od (not in kit)	C4/C5 (shift lever/small)	1	67-80	D4AZ-7341-A 96-126
F106	Output shaft (4WD 13 1/4")	C4	1	69-81	D3BZ-7060-A 26655-R
n/i	Kit, spring and retainer	C4 (direct clutch)	1	64-69	C4AZ-7A480-C K26907
n/i	Elbow, brass (w/lock-nut 90°)	C4/C5 (case fitting)	1	64-86	E2SZ-7D273-A 96-110
n/i	Nut, inverted flare 3/8"	C4/C5	1	64-86	391FS-6 96-130
n/i	Nut, inverted flare 5/16"	C4/C5	1	64-86	391FS-5 96-129
n/i	Plug, brass 1/8" w/allen head	C4/C5 (converter)	1	64-86	109AL-2 96-102
n/i	Plug, brass 1/8" w/hex head solid	C4/C5 (converter)	1	64-86	1Z1SD-2 96-133
n/i	Filler tube repair	C4/C5	1	64-86	M99100A 96-140A
n/i	E-Clip 1/4"	C4/C5	1	64-86	203 96-111
n/i	Pin, anti-ballooning	C4	1	64-69	FX-100P 26100
n/i	Bracket, modulator	C4/C5	1	72-86	AE 96-006-R
SPRAGS					
E84	Kit, spring and roller	C4/C5 (12 rollers 12 springs)	1	64-86	C4AZ-7D098-A K26903A
E84	Retainer w/springs/rollers	C5 (can use K26903A w/retainer)	1	82-86	D80Z-7D191-A K26960
BONDED PISTONS					
F81	Piston, bonded rubber	C4/C5 (reverse servo)	1	64-86	D1AZ-7D189-A 26528A
NOTES					



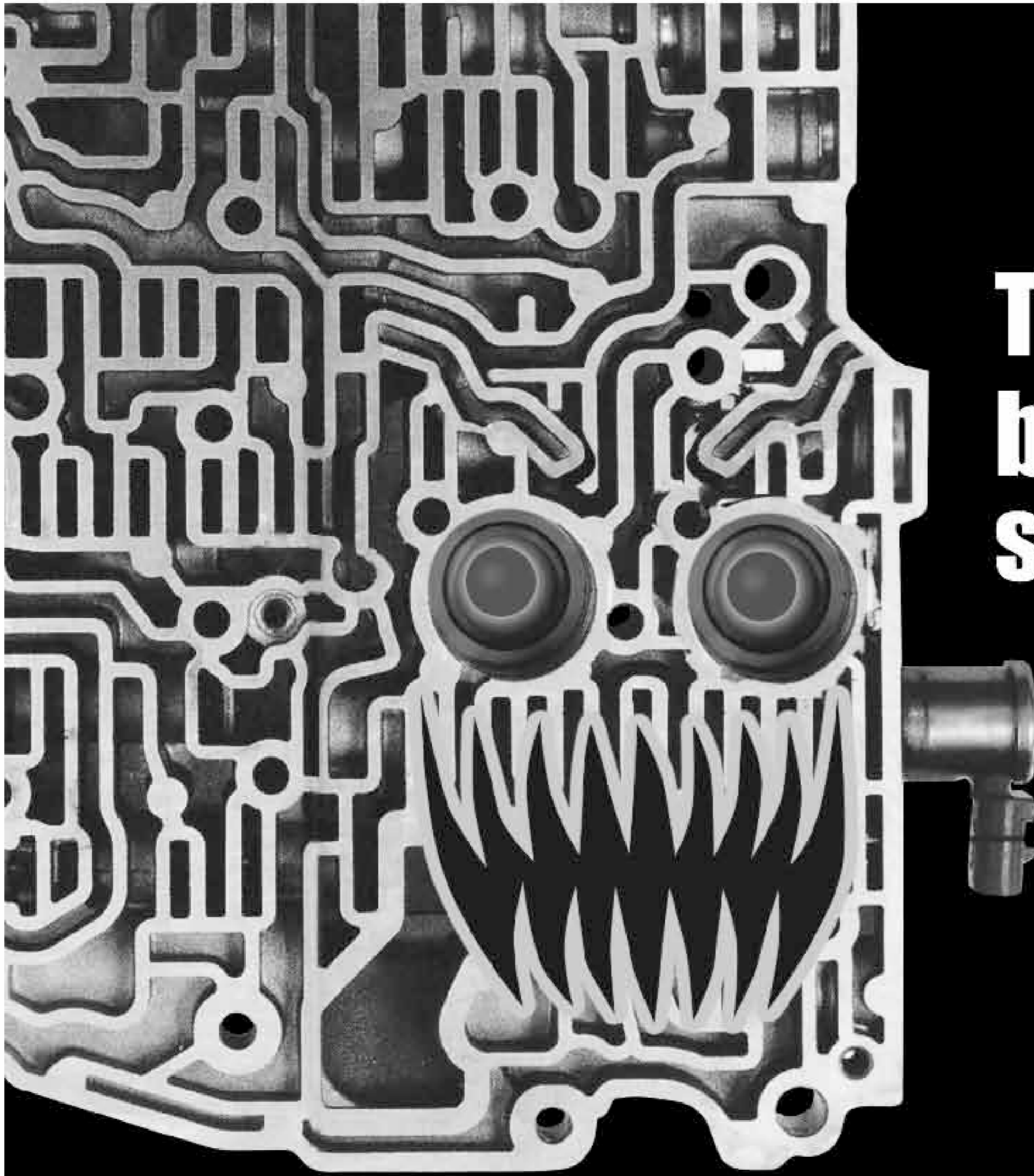
C6
36000

ILL	DESCRIPTION	QTY	YEAR	REFERENCE #	PART #
TECHNICAL MANUALS					
K53	Tech manual Ford C6 dis/assembly	1	66-96	83-C6TM	010-202
REBUILDER KITS					
K4	Master deluxe rebuild kit	1	66-76	AE	K3600A-R
K4	Master deluxe rebuild kit	1	76-96	AE	K3600B-R
K4	Master deluxe rebuild kit	1	76-96	AE	H3600B-R
K5	Master kit w/steels	1	66-76	AE	K3600A
K5	Master kit w/steels	1	76-96	AE	K3600B
K6	Master kit w/o steels	1	66-76	AE	K3600A-LS
K6	Master kit w/o steels	1	76-96	AE	K3600B-LS
K7	O/H gasket set w/seals-rings	1	67-96	AE	K36900B
K8	External seal kit	1	66-96	AE	K36900-2
K11	Gasket and seal kit	1	67-96	AE	K36900B-1
VALVE BODY KITS					
K15	Shift Kit®	1	66-96	SK® 6	K36908A
K15	Tow and Go®	1	67-96	67-1 and 2	67-2
K15	Reprogramming Kit™ stick shift	1	67-96	67-3	67-3
K15	Shift Correction Package	1	66-96	KC-6	S36908A
K15	Shift Improver Kit	1	67-91	40262	114-40262
K15	Transpak™	1	67-91	40228	114-40228
GASKETS AND RUBBER COMPONENTS					
G1	Gasket, oil pan	1	66-96	C6AZ-7A191-B	13233X
G1	Gasket, oil pan	1	66-96	C6AZ-7A191-B	13233D
A2	Gasket	1	76-96	E0AZ-7A136-B	13225
A3	Seal, lathe cut	1	76-96	C6AZ-7A248-B	13226
B4	Seal, lathe cut	1	66-67	C6AZ-7C099-A	13230
B4	Seal, lathe cut	1	68-96	C8AZ-7C099-A	13280
B5	Seal, lathe cut	1	66-96	C8AZ-7A548-C	13228
C6	O'ring	1	66-96	E9TZ-7A548-A	13803
C7	Seal, lathe cut	1	66-76	C6AZ-7A548-A	13227
C7	Lip seal	1	76-97	D6AZ-7A548-A	13336
F8	Seal, lathe cut	1	68-96	C7AZ-7D404-A	13231
F9	Seal, lathe cut	1	66-96	C8AZ-7D403-A	13229
F10	Gasket, valve body	1	67-96	D6AZ-7D100-A	13334
G11	Seal, lathe cut	1	66-96	D5TZ-7D024-B	13237A
G12	Gasket	1	66-96	D4AZ-7D026-A	13236
G13	Gasket	1	66-96	C6AZ-7086-A	13232
G14	Gasket	1	72-96	D2AZ-7B426-A	3395L
G14	O'ring	1	73-96	IP-77265-B	3499L
G15	Gasket	1	66-96	C6AZ-7E062-A	13235
n/i	O'ring	1	66-96	87034-S94	3291L
n/i	O'ring	1	66-96	377159-S	13917
n/i	O'ring	1	66-96	87036-S94	3410L
n/i	O'ring	1	66-96	386078-S	3499L
METAL CLAD SEALS					
A21	Seal, metal clad (w/o flange)	1	66-96	C2AZ-7A248-A	16601B
G22	Seal, metal clad (w/flange w/o boot)	1	66-96	D5AZ-7052-ANB	4743C
G22	Seal, metal clad (w/boot)	1	66-96	D5AZ-7052-A	16695C
G22	Seal, metal clad	1	68-96	B3TZ-7A011-A	6557M
G23	Seal, metal clad	1	66-96	D5ZZ-7B498-A	6507A
SEALING RINGS					
K10	Kit, sealing ring (metal)	1	66-96	AE	K36901
A24	Ring, sealing (metal)	2	66-96	C6AZ-7D025-A	36210
A24	Ring, sealing (teflon)	2	66-96	C6AZ-7D025-A	36210T

ILL	DESCRIPTION	QTY	YEAR	REFERENCE #	PART #
SEALING RINGS (CONTINUED)					
C25	Ring, sealing (metal) forward drum	2	66-96	C6AZ-7D019-B	36401
C25	Ring, sealing (teflon) forward drum	2	66-96	C6AZ-7D019-B	36401T
G26	Ring, sealing (metal) governor	3	66-96	C4AZ-7D011-A	26645
G26	Ring, sealing (teflon) governor	3	66-96	C4AZ-7D011-A	26645T
CLUTCH PLATES					
C28	Friction .060" 6.358" od 57T forward clutch	4/5	66-67	C6AZ-7B164-B	36404
C28	Friction .061" 6.358" od 90T forward clutch	3/5	67-76	D2AZ-7B164-A	36404A
C28	Friction .075" 6.358" od 90T forward clutch	4	76-96	D6AZ-7B164-B	36404B
C28	Friction .075" 6.358" od 90T (hardened) forward clutch	ar	76-96	F2TP-7E311-A	36404C
C28	Friction .075" 6.358" od 90T (high performance) forward clutch	4	76-96	D6AZ-7B164-BHP	36404H
B29	Steel .078" 5.121" id 26T direct clutch	3/4	66-96	C6AZ-7B442-A	36305
B29	Steel .059" 5.121" id 26T direct clutch	ar	66-96	C6AZ-7B442-AUS	36305B
B29	Steel .078" 5.121" id 26T (Kolene®) direct clutch	3/4	66-96	C6AZ-7B442-AK	36305K
B29	Steel .093" 5.121" id 26T (oversized) direct clutch	ar	66-96	C6AZ-7B442-A0S	36305X
C29	Steel .078" 5.121" id 26T forward clutch	3/4	66-96	C6AZ-7B442-A	36305
C29	Steel .080" 5.121" id 26T (waved) forward clutch	ar	68-76	C6AZ-7B442-C	36305A
C29	Steel .078" 5.121" id 26T (Kolene®) forward clutch	3/4	66-96	C6AZ-7B442-AK	36305K
C29	Steel .059" 5.121" id 26T forward clutch	ar	66-96	C6AZ-7B442-AUS	36305B
C29	Steel .093" 5.121" id 26T (oversized) forward clutch	ar	66-96	C6AZ-7B442-A0S	36305X
B30	Friction .077" 6.364" od 63T direct clutch	3/4	66-96	C8AZ-7B164-H	36304
B30	Friction .077" 6.364" od 63T (high performance) direct clutch	ar	66-96	C8AZ-7B164-HHP	36304H
C31	Plate, cushion .039" (waved) forward clutch (cushion)	1	76-96	D6AZ-7E085-B	36420-R
E32	Friction .075" 6.796" od 72T reverse clutch	4/6	66-96	D6AZ-7B164-A	36504A
E33	Steel .068" 5.800" id 18T reverse clutch	4/6	66-96	C6AZ-7B442-B	36505
E33	Steel .068" 5.800" id 18T (Kolene®) reverse clutch	4/6	66-96	C6AZ-7B442-BK	36505K
E33	Steel .081" 5.800" id 18T (oversized) reverse clutch	ar	66-96	C6AZ-7B442-BOS	36505X
PRESSURE PLATES					
C34	Pressure plate .128" 5.125" id 26T forward (bottom beveled)	1	66-96	C6AZ-7B066-A	36415-R
C35	Pressure plate .345" 5.125" id 26T forward (top)	1	66-96	C6AZ-7B066-B	36415A-R
B36	Pressure plate .345" 5.125" id 26T direct (top)	1	66-96	C6AZ-7B066-B	36415A-R
B36	Pressure plate .181" 5.125" id 26T direct (top step plate)	ar	66-96	C6AZ-7B066-CS	36415S-R
E37	Pressure plate .437" 18T reverse (top)	1	66-96	C6AZ-7B066-C	36415B-R
FILTERS					
K9	Kit, filter C6	1	66-74	AE	FK36423A
K9	Kit, filter C6	1	66-74	AE	DK36423A
K9	Kit, filter truck w/4WD	1	73-96	AE	FK36423C
K9	Kit, filter truck w/4WD	1	73-96	AE	DK36423C
K9	Kit, filter C6	1	75-96	AE	FK36423B
K9	Kit, filter C6	1	75-96	AE	DK36423B
G38	Filter (screen) C6	1	66-74	C6AZ-7A098-B	36423A
G38	Filter (screen) truck w/4WD	1	73-96	D3TZ-7A098A/B	36423C
G38	Filter (screen) C6	1	75-96	D5AZ-7A098A/B	36423B
n/i	Screen, filter governor	1	70-96	D0AZ-7E387-A	36712
MODULATORS					
G39	Modulator (white stripe adjustable) SAD screw in	1	66-72	C4AZ-7A377-B	26830
G39	Modulator (black stripe) SAD push in	1	72-96	D3TZ-7A377-A	36830F
G39	Modulator (purple stripe) SAD push in	1	75-96	D5AZ-7A377-A	36830C
G39	Modulator (green stripe) SAD push in	1	77-96	D70Z-7A377-A	36830D
G39	Modulator (blue stripe) dual diaphragm	1	73-74	D4AZ-7A377-A	36830A
BANDS					
G40	Nut, band adjusting (w/seal) intermediate	1	66-96	375185-S100	36610
B41	Band, flex intermediate	1	66-96	D9AZ-7D034-B	36320F
B41	Band, snap intermediate	1	66-96	D9AZ-7D034-BMF	36320X

ILL	DESCRIPTION	QTY	YEAR	REFERENCE #	PART #
BANDS (CONTINUED)					
B41	Band, flex (high energy) intermediate	1	66-96	D9AZ-7D034-BHP	36320HP
BUSHINGS					
K13	Kit, bushing C6	1	66-96	AE	K36905A
A42	Bushing (babbit) pump body	1	66-96	E0AZ-7B258-A	36002A
A42	Bushing (bronze) pump body	1	66-96	C6AZ-7B258-A	36002
A43	Bushing (bronze) stator (front)	1	66-96	C6AZ-7B261-C	36000A
A44	Bushing stator (rear)	1	66-96	C6AZ-7D018-A	36001A
D45	Bushing sun gear (front/rear)	2	66-96	C6AZ-7D065-A	36005
B46	Bushing .365" wide intermediate drum (front)	1	66-96	C6AZ-7D046-B	36004
B47	Bushing 1.242" wide intermediate drum (rear)	1	66-96	C6AZ-7D046-A	36003
F48	Bushing (w/oil groove) case (front)	1	66-96	C6AZ-7025-D	36007
F49	Bushing (w/o oil groove) case (rear)	1	66-96	C6AZ-7025-B	36008
G50	Bushing (not in kit) Lincoln extension housing	1	66-69	C1VY-7A034-A	6023B
G50	Bushing, extension housing extension housing (exc Lincoln)	1	66-96	B5AZ-7A034-A	6023
G50	Bearing, ball extension housing (truck)	1	68-96	8D7065	6308N
WASHERS/BEARINGS/RACES/SHIMS					
K12	Kit, thrust bearing C6	1	66-96	AE	K36906
K14	Kit, thrust washer w/o selectives	1	66-96	AE	K36907A
K14	Kit, thrust washer, pump selective only 1 each (metal)	1	66-96	AE	K36907
K14	Kit, thrust washer, pump selective only 1 each (plastic)	1	66-96	AE	K36907P
B51	Thrust washer .057" (metal) stator to direct drum (pump)	sel	66-96	C6AZ-7D014-A	36409
B51	Thrust washer .057" (plastic) stator to direct drum (pump)	sel	66-96	C6AZ-7D014-Ap	36409F
B51	Thrust washer .074" (metal) stator to direct drum (pump)	sel	66-96	C6AZ-7D014-B	36409A
B51	Thrust washer .074" (plastic) stator to direct drum (pump)	sel	66-96	C6AZ-7D014-B	36409G
B51	Thrust washer .089" (metal) stator to direct drum (pump)	sel	66-96	C6AZ-7D014-C	36409B
B51	Thrust washer .089" (plastic) stator to direct drum (pump)	sel	66-96	C6AZ-7D014-C	36409H
B51	Thrust washer .104" (metal) stator to direct drum (pump)	sel	66-96	C6AZ-7D014-D	36409C
B51	Thrust washer .104" (plastic) stator to direct drum (pump)	sel	66-96	C6AZ-7D014-D	36409J
B51	Thrust washer .119" (metal) stator to direct drum (pump)	sel	66-96	C6AZ-7D014-E	36409D
B51	Thrust washer .119" (plastic) stator to direct drum (pump)	sel	66-96	C6AZ-7D014-E	36409K
B52	Thrust washer direct drum to forward drum	1	66-96	C6AZ-7C096-A	36422
D53	Thrust washer forward drum to forward ring gear hub	1	66-96	C6AZ-7C090-A	36421
D54	Thrust washer .049" drive shell to sun gear	1	66-96	C6AZ-7D066-A	36416
D55	Thrust washer (6 tabs) frt hub to frt planet/shell to rr planet	2	66-96	C6AZ-7A166-A	36428
E55	Thrust washer (4 tabs) rear planetary to rear hub	1	66-96	C6SZ-7A166-A	36428A
E55	Thrust washer (6 tabs) rear planetary to rear hub	1	66-96	C6AZ-7A166-A	36428
F56	Thrust washer (2 tangs) rear hub to low sprag inner race	1	66-69	C6AZ-7D422-B	36444
F56	Thrust washer (3 tabs) rear hub to low sprag inner race	1	70-96	C7AZ-7D442-A	36444A
F57	Thrust washer case to park gear	1	66-96	D3TZ-7B368-A	36437
D61	Bearing, thrust (3 piece) forward drum to front planetary	1	66-75	C6AZ-7D234-A	K36434-R
D61	Bearing, thrust .136" 2.115" od forward drum to front planetary	1	76-96	E0AZ-7F231-A	53751
SNAP RINGS					
B62	Snap ring .058" direct clutch	sel	66-96	377126-S	36310
B62	Snap ring .067" direct clutch	sel	66-96	378260-S	36310A
B62	Snap ring .076" direct clutch	sel	66-96	377127-S	36310B
B62	Snap ring .085" direct clutch	sel	66-96	377128-S	36310C
B62	Snap ring .094" direct clutch	sel	66-96	377444-S	36310D
C62	Snap ring .058" forward clutch	sel	66-96	377126-S	36310
C62	Snap ring .067" forward clutch	sel	66-96	378260-S	36310A
C62	Snap ring .076" forward clutch	sel	66-96	377127-S	36310B
C62	Snap ring .085" forward clutch	sel	66-96	377128-S	36310C
C62	Snap ring .094" forward clutch	sel	66-96	377444-S	36310D
G63	Snap ring governor support	1	66-96	387035-S5	36311

ILL	DESCRIPTION		QTY	YEAR	REFERENCE #	PART #
PUMP PARTS AND PUMPS						
A64	Pump assembly	complete	1	66-96	C6AZ-7A103-B	36424-R
A67	Gear set	pump	1	66-96	C6AP-7C010-B	K36201
HARD PARTS						
C68	Housing, forward (5 clutch)	C6	1	76-96	D9AZ-7A360-A	36436D-R
C69	Piston, forward clutch	lip seal type	1	76-96	D6AF-7A258-BA	36439-R
C70	Spring, diaphragm 5/64" thick	forward clutch	1	66-76	C9AZ-7B070-A	36419
C70	Spring, diaphragm 5/64" thick	forward clutch	1	66-76	C9AZ-7B070-A	36419-R
C70	Spring, diaphragm .094"	forward clutch	1	76-96	D6AZ-7B070-A	36419A
C70	Spring, diaphragm 3/32" thick	forward clutch	1	76-96	D6AZ-7B070-A	36419A-R
A74	Drum, direct (3 clutch)	C6	1	66-96	C9AZ-7D044-A	36411A-R
A74	Drum, direct (4 clutch)	C6	1	66-96	C9AS-7D044-A	36411-R
D79	Hub, forward w/ring gear	C6	1	66-76	D6AZ-7D382-A	36418-R
D79	Hub, forward w/ring gear	C6	1	76-96	D6AZ-7D392-A	36418A-R
F81	Race, inner 1.089" (washer type)	low sprag	1	66-96	C9AZ-7D171-A	36429-R
F81	Race, inner w/bearing 1.015" oh	low sprag (bearing type)	1	89-96	E9AZ-7D171-A	36429B
E83	Hub, output shaft w/ring gear	2 tang washer (long)	1	66-67	C9AZ-7D164-A	36427A-R
E83	Hub, output shaft w/ring gear	2 tang washer (short)	1	68-70		36427B-R
E83	Hub, output shaft w/ring gear	3 tab washer	1	71-96	E9TZ-7D164-B	36427C-R
G85	Shaft, output 15 3/8" long (4WD)	C6	1	72-96	D6TZ-7060-C	36655D-R
G85	Shaft, output 18 1/2" long (4WD)	C6	1	76-78	D7TZ-7060-B	36655C-R
G86	Governor, assembly	C6	1	66-76	C6AZ-7C063-A	36412-R
D88	Planetary, forward	front	1	76-96	D5AZ-7A398-A	36438-R
E89	Planetary, reverse	specify 3 or 4 pinion	1	66-96	C6AZ-7D006-B	36448-R
E90	Hub, low/reverse clutch	C6	1	66-96	F3TZ-7B067-A	36726-R
G96	Tube, filter pickup	deep pan (4WD)	1	73-96	D3TZ-7A102-C	D3TZ-7A102-C
D125	Shell, input w/sungear	C6	1	66-96	C6AZ-7D064-A	36728-R
F140	Piston w/o check ball	low/reverse	1	76-96	D8AZ-7D402-A	36727-R
F143	Retainer w/springs	low/reverse (uses a snap ring)	1	76-86	D6AZ-7D406-A	36725-R
F143	Retainer w/springs	low/reverse (fits under race)	1	86-96	E6TZ-7D406-A	36725A-R
n/i	Filler tube repair	C6	1	66-96	M99100A	96-140A
n/i	Servo, R (super servo)	high performance	1	66-96	K016	36986
SPRAGS						
E80	Sprag (16 rollers)	low/reverse	1	66-96	D0AZ-7A089-A	K36960
BONDED PISTONS						
G75	Piston, bonded rubber 2.095" stamped CA	intermediate servo cover L	1	66-74	D5TZ-7D021-A	36528
G75	Piston, bonded rubber 1.960" stamped BA	intermediate servo cover N	1	74-96	D5UZ-7D021-A	36528A
G75	Piston, bonded rubber 2.050" stamped AA	intermediate servo cover S (truck)	1	74-96	D7AZ-7D021-A	36528C
G75	Piston, bonded rubber 2.130" stamped DA	intermediate servo cover P	1	75-79	D5TZ-7D021-B	36528B
NOTES						



**Tough valve
bodies don't
scare us...**

The valve body is the brains of a transmission.

That transmission isn't fixed until the valve body is right. And that means getting to the root cause of the problem, not just treating the symptoms.

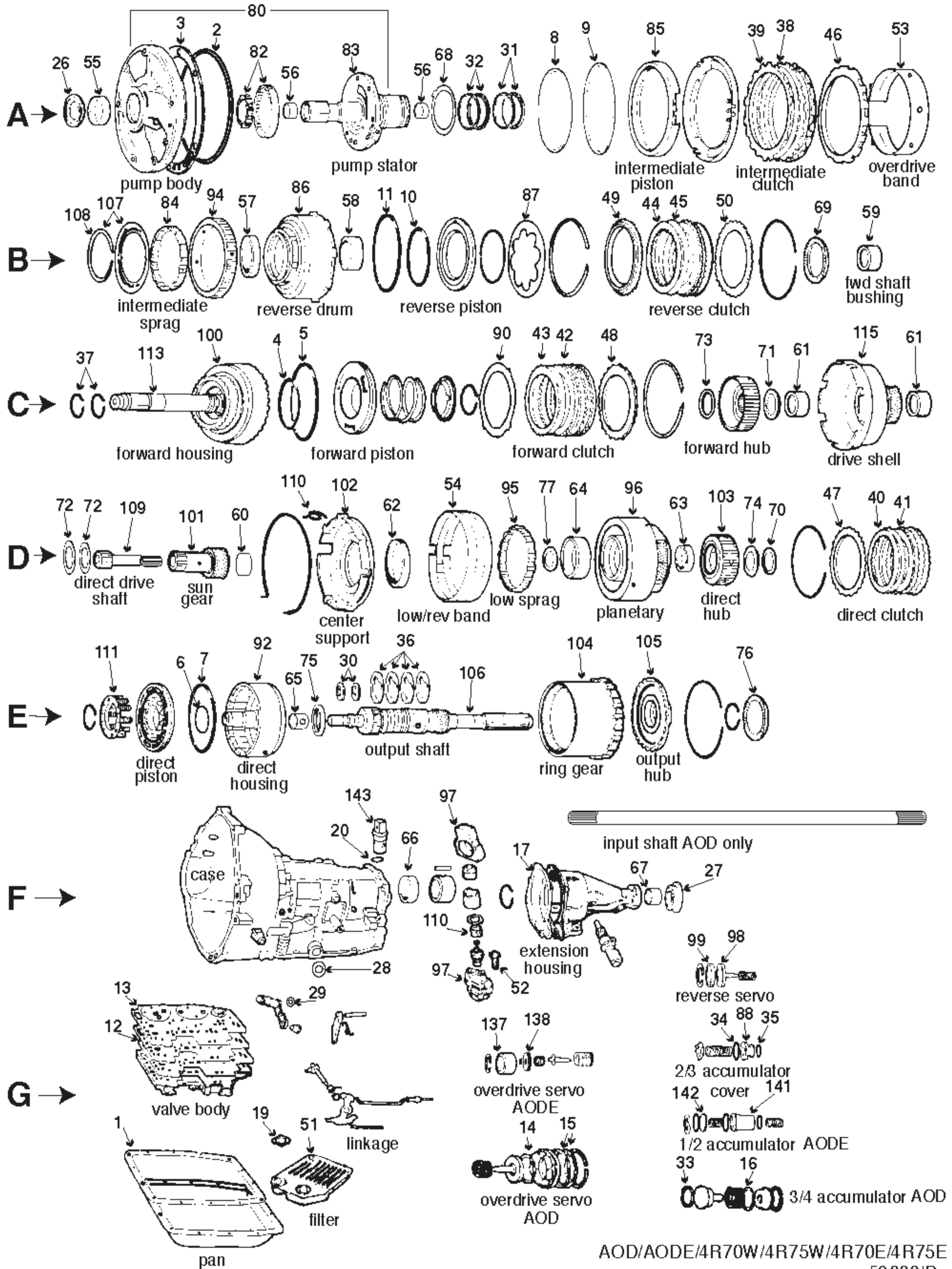
Nobody knows valve bodies like Sonnax.™

sonnax®
TIME TESTED • INDUSTRY TRUSTED®

1 Automatic Drive • P.O. Box 440 • Bellows Falls, VT 05101-0440 USA
800-843-2600 • 802-463-9722 • F: 802-463-4059 • www.sonnax.com

©2010 Sonnax Industries, Inc.





AOD/AODE/4R70W/4R75W/4R70E/4R75E
53000/B

ILL	DESCRIPTION	QTY	YEAR	REFERENCE #	PART #
TECHNICAL MANUALS					
K53	Tech manual FORD AOD dis/assembly	1	80-91	83-AODTM	010-203
K53	Tech manual FORD AOD/E dis/assembly	1	92-06	83-AODETM	010-215
K53	Tech manual update handbook	1	92-06	4R70W-update	010-228
REBUILDER KITS					
K4	Master deluxe rebuild kit	1	80-89	AE	H5300-R
K4	Master deluxe rebuild kit	1	80-83	AE	K5300-R
K4	Master deluxe rebuild kit	1	83-89	AE	K5300A-R
K4	Master deluxe rebuild kit	1	89-91	AE	K5300B-R
K4	Master deluxe rebuild kit	1	92-95	AE	K5300E-R
K4	Master deluxe rebuild kit	1	96-03	AE	K5300C-R
K4	Master deluxe rebuild kit	1	04-10	AE	K5300D-R
K5	Master kit w/steels	1	80-83	AE	K5300
K5	Master kit w/steels	1	83-89	AE	K5300A
K5	Master kit w/steels	1	89-91	AE	K5300B
K5	Master kit w/steels	1	92-95	AE	K5300E
K5	Master kit w/steels	1	96-03	AE	K5300C
K5	Master kit w/steels	1	04-10	AE	K5300D
K6	Master kit w/o steels	1	80-83	AE	K5300-LS
K6	Master kit w/o steels	1	83-91	AE	K5300A-LS
K6	Master kit w/o steels	1	92-95	AE	K5300E-LS
K6	Master kit w/o steels	1	96-03	AE	K5300C-LS
K6	Master kit w/o steels	1	04-10	AE	K5300D-LS
K7	O/H gasket set w/seals-rings	1	80-91	AE	K53900
K7	O/H gasket set w/seals-rings	1	92-95	AE	K53900A
K7	O/H gasket set w/seals-rings	1	96-03	AE	K53900B
K7	O/H gasket set w/seals-rings	1	04-10	AE	K53900D
K8	External seal kit	1	80-91	AE	K53900-2
K8	External seal kit	1	92-03	AE	K53900A-2
K11	Gasket and seal kit	1	80-91	AE	K53900-1
K11	Gasket and seal kit	1	92-95	AE	K53900A-1
K11	Gasket and seal kit	1	96-03	AE	K53900B-1
VALVE BODY KITS					
K15	Shift Kit® corrects	1	80-91	SK® AOD	K53908
K15	Shift Kit® corrects	1	92-04	SK® AODE	K53908E
K15	Shift Correction Package	1	80-91	KAOD-HP	STP-KAOD-HP
K15	Shift Kit® high performance	1	80-91	AOD-HP	STP-AOD-HP
K15	Shift Kit® high performance	1	92-04	AODE-HD2	AODE-HD2
K15	Shift Improver Kit	1	80-91	40263	114-40263
K15	Shift Improver Kit	1	92-95	40264	114-40264
K15	Shift Improver Kit	1	96-99	40266	114-40266
K15	Transpak™	1	80-91	40227	114-40227
K15	Shift Correction Package	1	80-91	KAOD	S53908
K15	Shift Correction Package	1	92-04	KAOD-E	S53908E
GASKETS AND RUBBER COMPONENTS					
G1	Gasket, oil pan	1	80-91	EOAZ-7A191-A	13975X
G1	Gasket, oil pan	1	80-91	EOAZ-7A191-AF	13975D
G1	Gasket, oil pan	1	92-10	F2VY-7A191-A	13975E
G1	Gasket, oil pan	1	92-10	F2VY-7A191-A	13975F
A2	Seal, lathe cut	1	80-10	EOAZ-7A248-A	13850
A3	Gasket	1	80-95	E3SP-7A136-AA	13851
A3	Gasket	1	92-10	F2VY-7A136-A	13851E
C4	Lip seal	1	80-10	EOAZ-7C099-A	13852
C5	Lip seal	1	80-10	EOAZ-7A548-A	13853

AOD•AODE•4R70W•4R75W•4R70E•4R75E

AOD•E•4R70W•75W•4R70E•75E

ILL	DESCRIPTION		QTY	YEAR	REFERENCE #	PART #
GASKETS AND RUBBER COMPONENTS (CONTINUED)						
E6	Lip seal	direct clutch piston (inner long lip)	1	80-10	EOAZ-7F234-AA	13854
E6	Lip seal	direct clutch piston (inner short lip)	1	92-10	F3AZ-7C099-A	13854A
E7	Lip seal	direct clutch piston (outer long lip)	1	80-10	EOAZ-7A548-B	13855
E7	Lip seal	direct clutch piston (outer short lip)	1	92-10	F3AZ-7A548-A	13855
A8	Lip seal	inter clutch piston (inner long lip)	1	80-10	EOAZ-7A225-A	13856
A9	Lip seal	inter clutch piston (outer long lip)	1	80-10	EOAZ-7F224-A	13857
B10	Seal, lathe cut	reverse clutch piston (inner)	1	80-10	EOAZ-7D404-A	13858
B11	Seal, lathe cut	reverse clutch piston (outer)	1	80-10	EOAZ-7D403-A	13859
G12	Gasket, valve body	AOD (lower)	1	80-89	EOAZ-7D100-A	13860
G12	Gasket, valve body	AOD (lower)	1	90-93	FOAZ-7D100-A	13860A
G12	Gasket, valve body	AODE (lower)	1	92-95	F2VY-7D100-A	13860B
G12	Gasket, valve body	4R70W (lower)	1	96-00	F7AZ-7D100-AA	13860C
G12	Gasket, valve body	4R70W (lower)	1	01-10	1W7Z-7D100-AB	13860D
G13	Gasket, valve body	AOD (upper)	1	80-93	E9AZ-7C155-A	13861
G13	Gasket, valve body	AODE (upper)	1	92-95	F2VY-7C155-A	13861B
G13	Gasket, valve body	4R70W (upper)	1	96-10	F7AZ-7C155-AA	13861C
G14	O'ring 1.937" id (green stripe)	AOD (overdrive servo piston)	1	80-93	EOAZ-7D024-A	13862A
G14	O'ring 2.250" id (red stripe)	AOD (overdrive servo piston)	1	80-93	EOAZ-7D024-B	13862
G14	O'ring 2.437" id	AOD (overdrive servo piston)	1	89-93	E9SZ-7D024-A	13862B
G15	Seal, lathe cut	AOD (overdrive servo cover)	2	80-95	EOAZ-7D026-A	13864
G16	Seal, lathe cut	AOD (3-4 accumulator retainer)	1	80-93	EOAZ-7F294-A	13865
F17	Gasket	AOD (extension housing)	1	80-95	EOAZ-7086-A	13866
F17	Gasket (silicone beaded)	4R70W (extension housing)	1	96-10	F6AZ-7086-A	13866A
G19	Gasket	AOD (filter)	1	80-93	EOAZ-7E062-A	13868
F20	O'ring	AODE (electrical connector)	1	92-10	F2VY-7Z276-A	23723
n/i	Gasket	AODE (valve body cover)	1	92-95	F2VY-7H173-A	13809
n/i	Gasket	4R70W (valve body cover)	1	96-10	F6AZ-7H173-A	13809A
n/i	O'ring	AOD (output shaft)	1	80-93	C9AZ-7A294-A	13867
n/i	O'ring	AOD (neutral safety switch)	1	80-93	87009-S100	13869
n/i	Ball, check .250" od (viton)	AOD/AODE	7	80-93	EOAZ-7E195-B	13924
n/i	Ball, check 5/16" od (viton)	AOD/AODE	ar	80-93	E7AZ-7E195-A	13923A
n/i	O'ring	AOD/E/W (filler tube to case)	1	80-10	8616496	3291L
n/i	O'ring	AOD (oil cooler tube)	4	80-93	380892-S94	13327
n/i	O'ring	AOD (speedometer housing)	1	80-93	87036-S94	3410L
n/i	O'ring	AOD (1-2 accumulator valve)	1	82-93	87018-S100	23017
n/i	O'ring	AOD/E (oil cooler tube)	2	85-97	87006-S94	96-202
n/i	O'ring	AOD/E/W (1-2/2-3 accumulator/large)	1	92-10	F2VY-7F249-A	23720
n/i	O'ring	AOD/E/W (1-2 accumulator/small)	1	92-10	F2VY-7F248-A	23721
n/i	O'ring	AOD/E/W (2-3 accumulator/small)	1	92-10	F2VY-7F250-A	23722
n/i	O'ring	AOD/E/W (speed sensor/large)	3	92-10	F1DZ-7Z101-A	23015
n/i	O'ring	AODE/W (pressure control solenoid/small)	1	92-10	F2VY-7Z383-A	13710
n/i	O'ring	AODE/W (shift solenoid)	2	92-10	F1DZ-7Z484-A	13918
n/i	O'ring	AODE/W (lock-up/TCC solenoid/large)	1	92-10	F2VY-7Z136-A	23071
n/i	O'ring	AODE/W (lock-up/TCC solenoid/small)	1	92-10	F2VY-7Z484-A	23728
n/i	Seal, lathe cut	AODE (1-2 accumulator cover)	1	92-93	F2VY-7F294-A	13863
METAL CLAD SEALS						
A26	Seal, metal clad (w/o flange)	front	1	80-93	C2AZ-7A248-A	16601B
A26	Seal, metal clad (rubber coated w/groove)	front	1	93-10	F2UY-7A248-A	53601
F27	Seal, metal clad 60x38x10mm (w/boot)	AOD/E (extension housing)	1	80-95	D5AZ-7052-B	16695E
F27	Seal, metal clad 60x38x12mm	AOD (extension housing)	1	80-95	D5AZ-7052-B	8850B
F27	Seal, metal clad 2.490" od (w/boot)	4R70W (extension housing)	1	93-10	F3LY-7052-A	53695
F28	Seal, metal clad	AOD/E/4R70W (manual lever shaft)	1	80-93	D5AZ-7B498-A	6507A
F29	Seal, metal clad	AOD (throttle valve lever shaft)	1	80-93	EOAZ-7F337-A	53697

ILL	DESCRIPTION	QTY	YEAR	REFERENCE #	PART #
SEALING RINGS					
K10	Kit, sealing ring AOD (w/metal direct clutch rings)	1	80-03	AE	K53901
K10	Kit, sealing ring AODE/4R70W	1	04-10	AE	K53901A
E30	Ring, sealing (teflon solid) AODE/W (direct clutch)	2	04-10	E3AZ-7F274-AS	53224AT
E30	Ring, sealing (metal) AOD (direct clutch)	2	80-93	E3AZ-7F274-A	53224
E30	Ring, sealing (teflon) AOD/E (direct clutch)	2	80-10	E3AZ-7F274-A	53224T
A31	Ring, sealing (teflon solid) 4R70W/75W (stator to forward clutch)	1	95-10	F3AP-7B497-AA	53223AT
A31	Ring, sealing (plastic) .082" wide 4R70W/75W (forward clutch)	2	04-10	3L3Z-7D019-AA	53227
A31	Ring, sealing (metal) .115" wide AOD/E (forward clutch)	2	80-03	EOAZ-7D019-A	53225
A32	Ring, sealing (metal) AOD/E (reverse clutch)	2	80-10	EOAZ-7D020-A	53226
G33	Ring, sealing (teflon) AOD/E (3-4 accumulator piston)	1	80-93	EOAZ-7F248-A	53230T
G34	Ring, sealing (teflon) AOD/E (2-3 accumulator lower)	1	80-93	EOAZ-7F249-A	53231T
G35	Ring, sealing (teflon) AOD/E (2-3 accumulator upper)	1	80-93	EOAZ-7F250-A	53232T
E36	Ring, sealing (metal special plated) AOD/E (governor)(output shaft to case)	4	80-10	E6AZ-7F273-A	53645
C37	Ring, sealing (teflon) AODE/4R70W (input shaft to stator)	2	91-10	F2YY-78497-A	53223T
C37	Ring, sealing (teflon solid) 4R70/75 (input shaft to stator)	2	04-10	FDB-21435	53223AT
CLUTCH PLATES					
A38	Friction .080" 7.061" od intermediate clutch	3	80-93	E0AZ-7B164-D	53204
A38	Friction .080" 7.061" od intermediate clutch (high performance)	3	80-93	EOAZ-7B164-HP	53204H
A38	Friction .066" 7.061" od (high energy) intermediate clutch	4	94-10	F3LY-7B164-A	53204A
A39	Steel .069" 5.865" id intermediate clutch	3/4	80-10	EOAZ-7B442-B1	53205
A39	Steel .069" 5.865" id (Kolene®) intermediate clutch	3	80-10	EOAZ-7B442-B1K	53205K
A39	Steel .079" 5.865" id intermediate clutch	sel	80-10	EOAZ-7B442-B2	53205A
A39	Steel .089" 5.865" id intermediate clutch	sel	80-10	EOAZ-7B442-B3	53205B
A39	Steel .097" 5.865" id intermediate clutch	sel	80-10	EOAZ-7B442-B2	53205C
D40	Friction .075" 4.652" od direct clutch	5	80-93	F1SZ-7B164-A/B	53304
D40	Friction .060" 4.652" od (commercial) direct clutch (w/cast iron housing)	ar	80-90	APC-49704A	53304X
D40	Friction .075" 4.652" od direct clutch (high performance)	5	80-93	F1SZ-7B164-HP	53304H
D40	Friction .065" 4.675" od direct clutch	6	94-10	F8AZ-7B164-B	53304A
D41	Steel .070" 3.663" id 28T direct clutch (w/cast iron housing)	5	80-90	EOAZ-7B442-A	53305
D41	Steel .070" 3.663" id 34T dir cl (w/stamp st hsg exc Lincoln truck)	6	90-99	E9SZ-7B442-A	53305A
D41	Steel .080" 3.663" id 34T (not in kit) dir cl (w/stamped st hsg Lincoln truck)	6	90-10	F6AZ-7B442-AA	53305B
D41	Steel .070" 3.663" id 28T (Kolene®) AOD (direct clutch w/cast iron housing)	5	80-90	EOAZ-7B442-AK	53305K
D41	Steel .060" 3.663" id 28T thin commercial (dir cl w/cast iron hsg)	ar	80-90	APC-49705A	53305X
D41	Steel .060" 3.663" id 34T thin commercial (dir cl w/stamped st hsg)	ar	90-10	APC-49715A	53305AX
C42	Friction .061" 5.251" od AOD (forward clutch w/cast iron housing)	3	83-10	EOAZ-7B164-A	53404
C42	Friction .062" 5.332" od forward clutch (w/stamped steel housing)	5	90-10	F2VP-7E311-BA	53404A
C42	Friction .061" 5.251" od forward clutch (high performance)	3	80-90	EOAZ-7B164-HP	53404H
C43	Steel .068" 3.903" id 54T (flat) forward clutch (w/cast iron housing)	5	80-90	C8AZ-7B442-A	6205
C43	Steel .068" 3.903" id 54T (Kolene®) forward clutch (w/cast iron housing)	5/8	80-90	C8AZ-7B442-AK	6205K
C43	Steel .069" 3.903" id 34T forward clutch (w/stamped steel housing)	5	90-10	FOSZ-7B442-A	53405
B44	Friction .080" 5.251" od AOD (reverse clutch w/cast iron drum)	3/4	80-83	EOAZ-7B164-B	53504
B44	Friction .061" 5.251" od AOD (reverse clutch)	4	83-90	EOAZ-7B164-A	53404
B44	Friction .061" 5.251" od AOD/E/W (reverse clutch)	4	83-10	EOAZ-7B164-HP	53404H
B45	Steel .068" 3.903" id 54T (flat) AOD (reverse clutch w/cast iron drum)	2/3	80-90	C8AZ-7B442-A	6205
B45	Steel .068" 3.903" id 54T (Kolene®) AOD (reverse clutch w/cast iron drum)	2/3	80-90	C8AZ-7B442-AK	6205K
B45	Steel .068" 3.903" id 32T reverse clutch (w/stamped steel drum)	3	90-10	F2TZ-7B442-A	53407
n/i	Kit, conversion .060" (commercial HD) direct clutch (6 plates w/cast iron hsg)	1	80-90	APC-49750A	K53304
n/i	Kit, conversion .060" (commercial HD) direct clutch (w/stamped steel housing)	ar	90-10	APC-49754A	K53304A
PRESSURE PLATES					
A46	Pressure plate .406" 15T AOD (intermediate clutch)	1	80-93	EOAZ-7B066-D	53415B-R
A46	Pressure plate .256" (4 plates) AODE/W (intermediate clutch)	1	94-10	F3LY-7B066-A	53415F
A46	Pressure plate .256" (4 plates) AODE/W (intermediate clutch)	1	94-10	F3LY-7B066-A	53415F-R
D47	Pressure plate .219" 28T AOD (direct clutch)	1	80-92	EOAZ-7B066-E	53415A-R

AOD•AODE•4R70W•4R75W•4R70E•4R75E

AOD•E•4R70W•75W•4R70E•75E

ILL	DESCRIPTION	QTY	YEAR	REFERENCE #	PART #
PRESSURE PLATES (CONTINUED)					
D47	Pressure plate .222" 34T direct clutch (backing w/stamp steel hsg)	1	92-10	E9SZ-7B066-A	53415E-R
D47	Pressure plate .240" 34T AOD/E/W (direct clutch)	1	97-99	AE	53415M-R
D47	Pressure plate .128" (commercial) AOD (direct clutch)	1	80-90	EOAZ-7B066-E	53415S
C48	Pressure plate .272" 27T AOD (forward clutch)	1	80-83	E2SZ-7B066-A	53415D-R
C48	Pressure plate .200" 27T AOD (forward clutch)	1	83-90	EOAZ-7B066-C	53415-R
C48	Pressure plate .120" AOD/E (forward clutch)	1	90-10	FOSZ-7B066-A	53415G-R
C48	Pressure plate .266" forward clutch (w/stamped steel housing)	1	90-93	FOSZ-7B066-B	53415H-R
B49	Pressure plate .320" 54T (beveled) rev clutch (apply w/cast iron drum)	1	80-93	EOAZ-7B066-B	53415C-R
B49	Pressure plate .102" 34T (beveled) rev clutch (apply w/stamped steel drum)	1	90-06	F2TZ-7B066-B	53415J-R
B50	Pressure plate .200" 27T rev clutch (backing w/cast iron drum)	1	80-93	EOAZ-7B066-C	53415-R
B50	Pressure plate .323" 34T rev clutch (backing w/stamped steel drum)	1	99-10	F2TZ-7B066-A	53415K-R
B50	Pressure plate .201" 34T (4 plates) rev clutch (backing w/stamped steel drum)	1	92-10	AE	53415L
B50	Pressure plate .201" 34T (4 plates) rev clutch (backing w/stamped steel drum)	1	92-10	AE	53415L-R
FILTERS					
K9	Kit, filter (2WD) AOD (neoprene/cork)	1	80-94	AE	FK53423
K9	Kit, filter (2WD) AOD (Duraprene®)	1	80-94	AE	DK53423
K9	Kit, filter (4WD) AOD (neoprene/cork)	1	84-94	AE	FK53423A
K9	Kit, filter (4WD) AOD (Duraprene®)	1	84-94	AE	DK53423A
K9	Kit, filter (2WD) AODE (elasomeric)	1	92-10	AE	FK53423B
K9	Kit, filter (2WD) AODE/W (Duraprene®)	1	92-10	AE	DK53423B
K9	Kit, filter (4WD w/deep pan) AODE/W (elasomeric)	1	94-10	AE	FK53423C
K9	Kit, filter (4WD w/deep pan) AODE/W (Duraprene®)	1	94-10	AE	DK53423C
G51	Filter (2WD) AOD	1	80-94	EOAZ-7A098-A	53423
G51	Filter (4WD) AOD	1	84-94	E4TP-7F003-AA	53423A
G51	Filter (2WD) AODE/W	1	92-10	F2VY-7A098-A	53423B
G51	Filter (4WD w/deep pan) AODE/W	1	94-10	F6AZ-7A098-A	53423C
n/i	Screen, filter AOD/E (governor/lube circuit)	1	80-10	E7AZ-7E242-A	53712
n/i	Screen, filter AODE/W (force motor/EPC/solenoid)	1	92-10	F2VP-7H187-A	53713
BANDS					
A53	Band 1.5" wide AOD (overdrive/front)	1	80-91	E0AZ-7F196-A	53320
A53	Band 2.0" wide AODE/W (overdrive/front)	1	92-10	F2TZ-7F196-A	53320A
D54	Band AOD/E/W (low/reverse)	1	80-10	2L3P-7D095-AA	53520
D54	Band AOD/E/W (low/reverse)	1	80-10	AE	53520-RL
BUSHINGS					
K13	Kit, bushing AOD	1	80-94	AE	K53905
K13	Kit, bushing AODE/W	1	93-10	AE	K53905A
A55	Bushing (bronze) AODE/W (pump body)	1	80-10	C6AZ-7B258-A	36002
A55	Bushing (babbitt) AODE/W (pump body)	1	80-10	E0AZ-7B258-A	36002A
A56	Bushing (babbitt) AOD (stator rear)	1	80-92	E0AZ-7D018-A	53000
A56	Bushing (bronze) AOD (stator front)	2	92-93	C6AZ-7B261-C	36000A
A56	Bushing AODE/W (stator front/rear)	2	94-10	F4AP-76000-B	53001
B57	Bushing AOD/E/W (reverse drum front)	1	80-10	E0AZ-7F217-A	53002
B58	Bushing AOD/E/W (reverse drum rear)	1	80-10	E8AZ-7F218-A	53003
B59	Bushing AOD (turbine shaft w/forward housing)	1	80-94	E0AZ-7E214-A	53005
D60	Bushing AOD/E/W (sun gear)	1	80-10	E0AZ-7B262-A	53006
C61	Bushing AOD/E/W (drive shell w/sun gear)	2	80-10	E0AZ-7A193-A	53008
D62	Bushing AOD/E/W (center support)	1	80-10	E4AZ-7A132-A	53009
D63	Bushing 1.381" od AOD/E/W (planetary rear)	1	80-10	E0AZ-7A375-A	53011
D64	Bushing 2.769" od AOD/E/W (planetary front)	1	80-10	E0AZ-7B374-A	53010
E65	Bushing AOD (direct housing w/cast iron)	1	80-90	E0AZ-7A233-A	53012
E65	Bushing AOD/E/W (direct housing w/stamped steel)	1	90-10		53012A
F66	Bushing AOD/E/W (case)	1	80-10	E0AZ-7D025-A	53007
F66	Bushing (w/flange) AOD/E/W (case special replaces bearing)	ar	80-10	76431	K53007

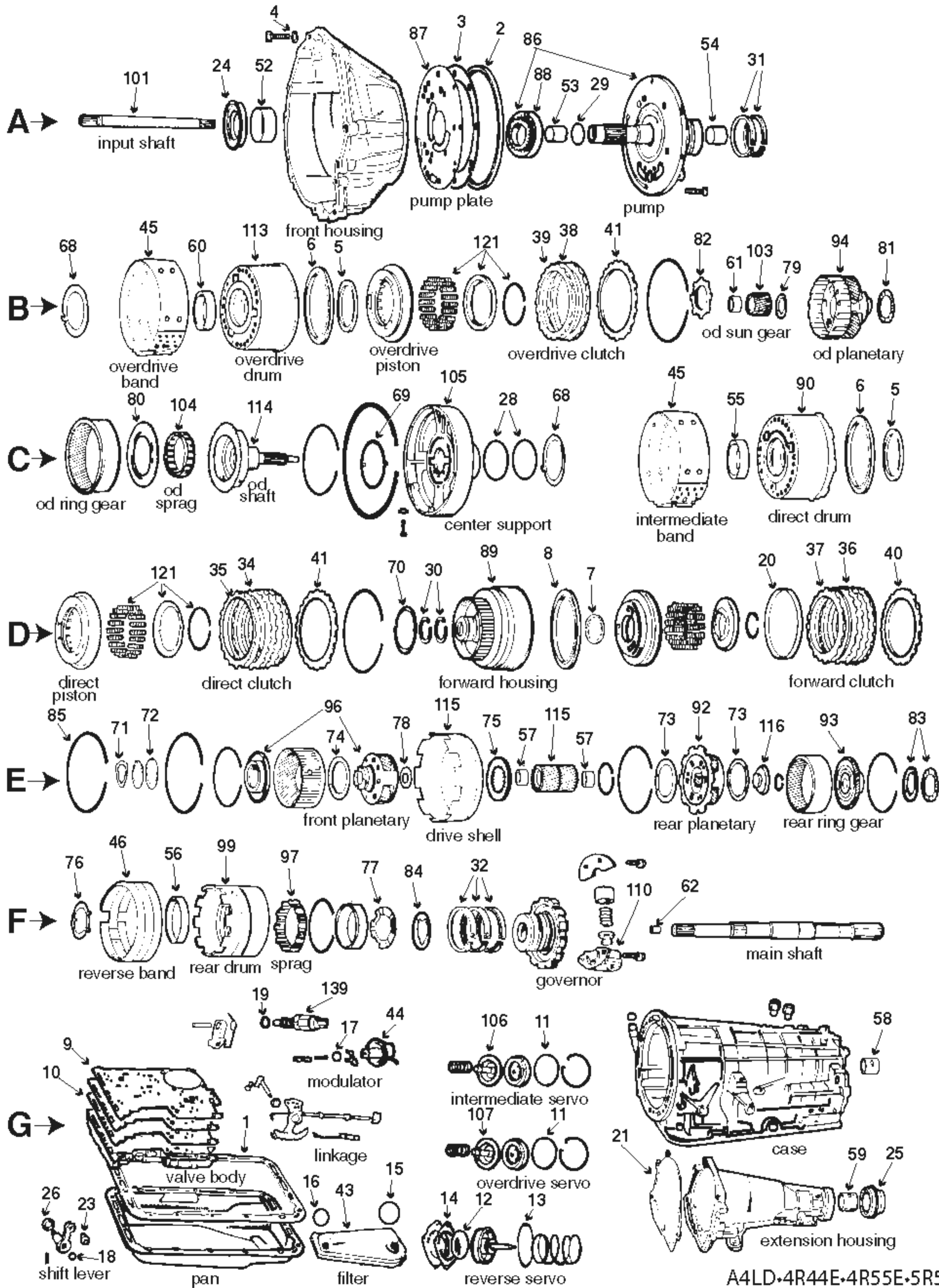
ILL	DESCRIPTION	QTY	YEAR	REFERENCE #	PART #
BUSHINGS (CONTINUED)					
F67	Bushing (babbit) AOD/E (extension housing small)	1	80-94	B3TZ-7A034-A	6014
F67	Bushing (bronze) AODE/W (extension housing large)	1	93-10	F3LP-7A034-AA	53014
WASHERS/BEARINGS/RACES/SHIMS					
K12	Kit, thrust bearing AOD	1	80-91	BEARING KIT	K53906
K12	Kit, thrust bearing AODE	1	92-00	BEARING KIT	K53906A
K12	Kit, thrust bearing 4R70W	1	96-10	BEARING KIT	K53906B
K14	Kit, thrust washer AOD/E/W	1	80-10	WASHER KIT	K53907
A68	Thrust washer .052" (green #1) AOD/E/W (pump stator to reverse drum)	sel	80-10	E0AZ-7D014-A	53409
A68	Thrust washer .070" (yellow #2) AOD/E/W (pump stator to reverse drum)	sel	80-10	E0AZ-7D014-B	53409A
A68	Thrust washer .087" (natural #3) AOD/E/W (pump stator to reverse drum)	sel	80-10	E0AZ-7D014-C	53409B
A68	Thrust washer .104" (red #4) AOD/E/W (pump stator to reverse drum)	sel	80-10	E0AZ-7D014-D	53409C
A68	Thrust washer .121" (blue #5) AOD/E/W (pump stator to reverse drum)	sel	80-10	E0AZ-7D014-E	53409D
B69	Thrust washer .060" 3.120" od (6 tabs) AOD (forward housing to reverse drum)	1	80-87	E0AZ-7A166-A	53411
B69	Bearing, thrust .155" 3.300" od AOD/E/W (forward housing to reverse drum)	1	87-10	E1TZ-7A166-A	53411A
D70	Race AOD (bearing to direct clutch hub)	1	80-94	E0AZ-7F237-A	53755-R
C71	Bearing, thrust .127" 2.200" od forward clutch hub to drive shell	1	80-03	E0AZ-7C096-A	53750
D72	Bearing, thrust .127" 2.200" od AOD (drive shell to sun gear)	1	80-93	E0AZ-7C096-A	53750
D72	Bearing, thrust .169" 2.040" od AODE/W (drive shell to sun gear)	1	92-00	F3LY-7F244-A	53750A
D72	Bearing, thrust .146" 2.040" od open face (drive shell to race)	1	01-10	3L3Z-7D235-AA	53750B
D72	Race .060" 1.457" id thrust bearing to sun gear	1	01-10	3L3Z-7D234-AA	53750C
C73	Bearing, thrust .136" 2.115" od forward housing to forward clutch hub	1	80-10	E0AZ-7F231-A	53751
D74	Bearing, thrust .185" 2.120" od AOD/E/W (direct clutch hub to race)	1	80-03	E0AZ-7F243-A	53754
D74	Bearing, thrust AOD/E/W (direct clutch hub to race)	1	04-10	n/a	53754A
E75	Bearing, thrust .105" 2.515" od direct hsg to output hub cast iron housing	1	80-92	E0AZ-7F240-A	53752
E75	Bearing, thrust .130" 2.625" od direct hsg to output hub stamped housing	1	92-03	F1AZ-7F240-A	53752A
E75	Bearing, thrust 4R70W/75W (direct hsg to output hub stamp)	1	04-10	n/a	53752B
E76	Bearing, thrust .105" 3.245" od AOD (open face)(output hub to case)	1	80-93	E0AZ-7F242-A	53753
E76	Bearing, thrust .135" 3.430" od AODE/W (output hub to case)	1	92-10	F3LY-7F242-A	53753A
D77	Washer (replaces bearing in planetary) AOD (replaces bearing in planetary)	1	80-10	BA-105	53756
SNAP RINGS					
B107	Snap ring (G-lock ring) inter sprag retainer to reverse drum	1	80-10	K010	53963
B108	Snap ring .045" AOD (inter sprag retainer to reverse drum)	1	80-10	E0AZ-7D191-B	53960K-R
PUMP PARTS AND PUMPS					
A80	Pump, complete AOD	1	80-94	E0AZ-7A103-A	53200-R
A80	Pump, complete AODE-W	1	92-03	F4AZ-7A103-A	53200A-R
A80	Pump, complete 4R70/75W (w/narrow plastic forward rings)	1	04-10	3L3Z-7A103-A	53200B-R
A82	Gear set AOD	1	80-94	AE	K36201
A82	Gear set .557" AODE/W	1	92-94	AE	K53201
A82	Gear set .608" AODE/W	1	94-10	AE	K53201A
A82	Gear set 4R70/75W	1	09-09	AE	K53201B
A83	Stator, pump support AOD	1	80-94	E0AZ-7A108-A	53400-R
A83	Stator, pump support AODE/W	1	92-03	F4AZ-7A108-A	53400A-R
A83	Stator, pump support 4R70E/75E (w/narrow plastic forward rings)	1	04-10	AE	53400B-R
HARD PARTS					
B86	Drum, reverse AOD (washer type)	1	80-86	E9TZ-7D044-C	53961-R
B86	Drum, reverse AOD (bearing type)	1	83-93	E9TZ-7D044-B	53961B-R
B86	Drum, reverse 7 rollers (sprag type stamped steel)	1	92-95	F4AZ-7D044-A	53961C-R
B86	Drum, reverse 14 rollers (sprag type stamped steel)	1	95-97	AE	53961D-R
B86	Drum, reverse (diode type) AODE/W	1	98-10	F8AZ-7D044-AA	53961E
B86	Drum, reverse (diode type) AODE/W	1	98-10	F8AZ-7D044-AA	53961E-R
B87	Spring, diaphragm AOD/E/W (reverse clutch)	1	80-10	E0AZ-7B070-A	53419-R
G88	Piston (plastic) dual rings AOD/E (2-3 accumulator)	1	80-96	AE	53707P
C90	Spring, cushion (cast iron drum) AOD (forward clutch)	1	80-89	E0AZ-7B070-A	6212-R

AOD•AODE•4R70W•4R75W•4R70E•4R75E

AOD•E•4R70W•75W•4R70E•75E

ILL	DESCRIPTION	QTY	YEAR	REFERENCE #	PART #	
HARD PARTS (CONTINUED)						
C90	Spring, cushion .035" (stamped steel drum)	AOD/E/W (forward clutch)	1	90-95	F0SZ-7E085-A	53332
C90	Spring, cushion .070" (stamped steel drum)	AODE/W (forward clutch)	1	96-10	F6SZ-7E085-A	53333
E92	Housing, direct (3 clutch)	AOD/E	1	80-83	E2SZ-7F283-A	53726-R
E92	Housing, direct (4 clutch)	AOD/E/W	1	83-93	E0AZ-7F283-B	53726A-R
E92	Housing, direct (5 clutch)	AOD/E/W	1	83-93	E8LY-7F283-A	53726B-R
E92	Housing, direct (6 clutch)	AOD/E/W	1	83-93	AE	53726C-R
E92	Housing, direct (stamped steel)	AOD/E/W	1	89-10	F6AZ-7F283-AA	53726E-R
B94	Hub, intermediate clutch	outer sprag race 5 3/4" od	1	80-95	E0AZ-7F221-A	53429-R
D96	Planetary, assembly	18T long 18T short pinions	1	80-94	E6AZ-7A398-B	53730A-R
D96	Planetary, assy 25T long 24T short pinions	use w/53729B-R/53748B-R/53949A-R	1	92-03	F6AZ-7A398-A	53730C-R
D96	Planetary, assembly 25T long	4R70W75W/4R70E/75E	1	04-10	AE	53730D-R
F97	Governor assembly w/weight	AOD	1	80-94	E8AZ-7C063-A	53615-R
C100	Housing, forward (w/o shaft cast iron)	AOD	1	80-89	F0AZ-7F207-A	53725-R
C100	Housing, forward	w/hollow shaft stamped steel	1	90-92	F2AZ-7F207-A	53725A-R
C100	Housing, forward	w/solid shaft stamped steel	1	92-03	F5AZ-7F207-A	53725B-R
C100	Housing, forward (w/o shaft stamped steel)	AOD/E/W	1	90-03	AE	53725C-R
C100	Housing, forward (w/solid shaft stamp stl)	w/3 feed holes (w/34 projection outer hsg)	1	04-10	AE	53725D-R
D101	Gear, forward sun 2.225" od 30T	AOD-E	1	80-94	E0AZ-7A399-A	53949-R
D101	Gear, forward sun 2.062" od 31T	AODE-W	1	92-10	F3LY-7A399-A	53949A
D101	Gear, forward sun 2.062" od 31T	AODE-W	1	92-10	F3LY-7A399-A	53949A-R
D101	Gear, forward sun 2.062" od 31T	45 splines 1 id groove bottom of splines	1	04-10	n/a	53949B
D101	Gear, forward sun 2.062" od 31T	45 splines 1 id groove bottom of splines	1	04-10	AE	53949B-R
D102	Support, center	AOD-E-W	1	80-03	E0AZ-7A130-A	53950-R
D102	Support, center w/turbine speed notch	4R70/75W	1	04-10	AE	53950A-R
D103	Hub, direct clutch 3.516" od (stamped AB)	AOD	1	83-10	E0AZ-7F236-B	53946-R
E104	Ring gear 72T (24 lugs)	AOD/E/W (output)	1	80-94	E0AZ-7F153-A	53729-R
E104	Ring gear 88T (w/short lugs 6 holes)	AODE/W (output)	1	94-03	F3LY-7A233-A	53729B-R
E104	Ring gear 88T (w/long 24 lugs no holes)	4R70W (output)	1	04-10	3L3Z-7A233-AB	53729C
E105	Hub, output	AOD	1	80-91	F4AZ-7D164-A	53731-R
E105	Hub, output	AODE	1	92-96	F3LY-7D164-B	53731A-R
E105	Hub, output	AODE/W	1	92-10	n/a	53731B-R
E106	Shaft, output (4WD)	AOD	1	80-94	E8TZ-7060-A	53655-R
D109	Shaft, direct drive	AODE/W	1	92-10	F4AZ-7F351-A	53738-R
D110	Spring, anti clunk	AOD/E/W (heavy duty)	1	80-02	76813	53915
D110	Spring, anti clunk	4R70W75W/4R70E/75E	1	02-10	2L3Z-7F277-AA	53915A-R
E111	Retainer and springs	AOD/E/W (direct clutch)	1	80-10	E5AZ-7F235-A	53727
C113	Shaft (hollow)	AOD (forward housing)	1	80-94	AE	53728-R
C113	Shaft (solid)	AODE/W (forward housing)	1	92-10	AE	53728A-R
C115	Shell w/sun gear	AOD	1	80-91	E0AZ-7A019-A	53748-R
C115	Shell w/sun gear 2.600" od 36T	AOD-E	1	92-94	F4AZ-7A019-A	53748A-R
C115	Shell w/sun gear 2.438" od 38T	4R70W	1	94-03	F4SZ-7A019-A	53748B
C115	Shell w/sun gear 2.438" od 38T	4R70W	1	94-03	F4SZ-7A019-A	53748B-R
C115	Shell w/sun gear 38T (non-magnetic)	4R70W75W/4R70E/75E	1	04-10	4L3Z-7A019-AA	53748C
n/i	Servo, A+ super (better holding capacity)	AOD (overdrive)	1	80-94	K011	53986
n/i	Linkage pin	AOD/E (linkage to case)	1	80-10	AE	096-009
n/i	Retainer, spring	4R70/75W (intermediate)	1	04-10	AE	53420-R
n/i	Spring (blue)	AODE/W (1-2 accumulator)	1	92-07	F75Z-7F284-AA	53706
n/i	Spring (brown)	AODE/W (1-2 accumulator)	1	92-07	F75Z-7F284-BA	53706A
n/i	Spring (white)	AODE/W (1-2 accumulator)	1	92-10	F7AZ-7F284-AA	53706B
n/i	Spring (purple)	AODE/W (1-2 accumulator)	1	92-10	F3LY-7F284-A	53706C

ILL	DESCRIPTION	QTY	YEAR	REFERENCE #	PART #	
ELECTRICAL COMPONENTS						
F143	Harness, internal repair kit	AODE/W	1	92-97	F2VY-7G276-A	5A-103
F143	Connector, case	4R70W/75W/4R70E/75E	1	98-10	F8AZ-7G276-AA	5A-104
n/i	Solenoid, master kit	AODE	1	92-95	MS-AODE	25A-020
n/i	Solenoid, master kit	AODE/W	1	95-97	MS-AODE-95	25A-020A
n/i	Solenoid, shift	AODE/W SS1-SS2 (shift 1/2 assembly)	1	92-97	F2VY-7G484-A	5A-280
n/i	Solenoid, shift	4R70W SS1-SS2 (shift 1/2 assembly)	1	98-10	F8AZ-7G484-AA	5A-280A
n/i	Solenoid, shift	SS1-SS2 (shift 1/2 assembly)	1	09-10	93LZ-7G484-A	5A-280B
n/i	Solenoid 1-3 ohms (black connector)	AODE (lock-up/TCC)	1	92-95	F2VY-7G136-A	5A-281
n/i	Solenoid 10-16 ohms (PWM/white connector)	AODE/W (lock-up/TCC)	1	95-97	F5AZ-7G136-A	5A-281A
n/i	Solenoid	4R70W (lock-up/TCC)	1	98-10	F8AZ-7G136-AA	5A-281B
n/i	Solenoid	AODE/W (pressure control/EPC)	1	92-97	F6AZ-7G383-AA	5A-282
n/i	Solenoid (tan connector)	4R70W (pressure control/EPC)	1	98-00	F8AZ-7G383-AA	5A-282A
n/i	Solenoid (green connector)	4R70W (pressure control/EPC)	1	01-04	XL3Z-7G383-AB	5A-282B
n/i	Solenoid (black connector)	4R70/75W (pressure control/EPC)	1	05-07	5C2P-7G383-AB	5A-282C
n/i	Solenoid	2004 Town Car EPC (pressure control)	1	08-10	9L3P-7G383-CA	5A-282D
n/i	Switch, neutral safety (4 pins)	AOD	1	80-91	D6RY-7A247-B	15A-264-R
n/i	Switch, neutral safety (5 pins)	AOD	1	80-94	F0VY-7A247-A	15A-265-R
n/i	Sensor (w/rectangle plug)	AODE/W (output speed/OSS)	1	92-01	F4AZ-7H103-AA	05-121
n/i	Sensor (w/square plug)	AODE/W (output speed/OSS)	1	01-03	1L3Z-7H103-AB	05-124
n/i	Sensor (w/square plug)	4R70/75W (output speed/OSS short)	1	04-10	3L3Z-7H103-AA	05-122
n/i	Sensor	turbine shaft speed in center case	1	04-10	3L3Z-7M101-AA	05-123
n/i	Sensor, manual lever position (MLPS)	AODE/W (except Crown Victoria)	1	92-98	F5AZ-7A247-A	05-120
n/i	Sensor, digital transmission range (DTR)	AODE/W (except Crown Victoria)	1	97-03	F7LZ-7F293-A	05-120A
n/i	Switch, manual lever position (MLPS)	Crown Victoria AODE/W	1	95-97	F5VZ-7A24-AA	05-125
n/i	Switch, digital transmission range (DTR)	Crown Victoria AODE/W	1	97-03	F8AZ-7F293-AA	05-126
n/i	Sensor	AOD (vehicle speed/VSS)	1	84-88	E9TZ-9E731-A	05-203
n/i	Sensor	AOD/E/W (vehicle speed/VSS)	1	89-10	E9LZ-9E731-A	05-206
n/i	TCC, shudder fix (lock-up)	AODE/W	1	92-97	76918-SF	16A-150
n/i	Harness, external repair kit (10 pins)	AODE/W	1	93-10	350-0064	16A-153
n/i	Sensor, temperature	TFT/TOT (transmission fluid temperature)	1	92-97	F1DZ-7H141-A	15A-302
n/i	Harness, internal molded	4R70/75W	1	98-07	F8AZ-7G276-BA	16A-430
n/i	Harness, internal w/connector	4R70/75W (normal wiring)	1	08-10	9L3Z-7G276-A	16A-431
SPRAGS						
B84	Sprag (7 rollers)	AOD (intermediate)	1	80-97	E0AZ-7A089-A	53960
B84	Sprag (14 rollers)	AODE/W (intermediate)	1	94-97	AE	53960A
B84	Sprag (diode type)	4R70W (intermediate)	1	97-10	F8AZ-7A089-AA	53962
B84	Sprag (diode type)	4R75E (intermediate) w/snap ring groove	1	07-09	7C3Z-7A089-B	53962A
D95	Sprag (roller type)	AOD/E/W (low)	1	80-10	C3AZ-7A089-A	34402A
BONDED PISTONS						
A85	Piston, bonded rubber	4R70/75W (intermediate clutch)	1	04-10	3L3Z-7E005-AA	53534
G88	Piston, bonded rubber (heavy duty)	AOD/E (2-3 accumulator)	1	80-10	F7AZ-7H292-AB	53707
F98	Piston 2.328" 1 groove	reverse servo (bonded rubber w/pin)	1	80-10	E0AZ-7D189-A	53528
F98	Piston 3.000" 2 grooves	reverse servo (bonded rubber w/pin)	1	80-10	E0AZ-7D189-B	53528A
F98	Piston 3.031" 3 grooves	reverse servo (bonded rubber w/pin)	1	80-10	E0AZ-7D189-C	53528B
F99	Cover, servo (bonded rubber)	reverse	1	80-10	E0AZ-7D036-A	53529
G137	Servo w/sleeve (bonded rubber)	AODE (overdrive)	1	92-10	F7AZ-7H188-A	K53530
G138	Piston, bonded rubber	AODE/W (overdrive servo)	1	92-10	F7SZ-7H188-AA	53531
G141	Piston, bonded rubber	AODE/W (1-2 accumulator)	1	94-10	F7AZ-7F251-AA	53532
G142	Cover, accumulator (bonded rubber)	AODE/W (1-2 accumulator)	1	94-10	F7AZ-7F247-A	53533
NOTES						



A4LD•4R44E•4R55E•5R55E
27000D/E/G/H

ILL	DESCRIPTION	QTY	YEAR	REFERENCE #	PART #
TECHNICAL MANUALS					
K53	Tech manual Ford A4LD dis/assembly	1	85-95	A4LDTM	010-204
K53	Tech manual 4R44E/4R55E dis/assembly	1	95-01	4R44ETM	010-218
K53	Interchange book changes, parts	1	85-95	A4LDTM-U1	010-219
K53	Tech manual 5R55E dis/assembly	1	97-08	5R55ETM	010-220
REBUILDER KITS					
K4	Master deluxe rebuild kit	1	85-87	AE	K2700D-R
K4	Master deluxe rebuild kit	1	88-89	AE	K2700E-R
K4	Master deluxe rebuild kit	1	90-95	AE	K2700F-R
K4	Master deluxe rebuild kit	1	95-96	AE	K2700G-R
K4	Master deluxe rebuild kit	1	97-08	AE	K2700H-R
K5	Master kit w/steels	1	85-87	AE	K2700D
K5	Master kit w/steels	1	88-89	AE	K2700E
K5	Master kit w/steels	1	90-95	AE	K2700F
K5	Master kit w/steels	1	95-96	AE	K2700G
K5	Master kit w/steels	1	97-08	AE	K2700H
K6	Master kit w/o steels	1	85-87	AE	K2700D-LS
K6	Master kit w/o steels	1	88-89	AE	K2700E-LS
K6	Master kit w/o steels	1	90-95	AE	K2700F-LS
K6	Master kit w/o steels	1	95-96	AE	K2700G-LS
K6	Master kit w/o steels	1	97-08	AE	K2700H-LS
K7	O/H gasket set w/seals-rings	1	88-95	AE	K27900E
K7	O/H gasket set w/seals-rings	1	85-95	AE	K27900F
K7	O/H gasket set w/seals-rings	1	95-96	AE	K27900G
K7	O/H gasket set w/seals-rings	1	97-08	AE	K27900H
K8	External seal kit	1	85-87	AE	K27900D-2
K11	Gasket and seal kit	1	88-89	AE	K27900E-1
K11	Gasket and seal kit	1	85-95	AE	K27900F-1
K11	Gasket and seal kit	1	95-08	AE	K27900G-1
K28	Kit, reverse servo D'ring	1	85-01	AE	K27900-3
VALVE BODY KITS					
K15	Shift Kit@-Jr fixes soft shifts	1	85-95	SK@ A4LD-Jr	K27908E
K15	Shift Kit@	1	95-04	SK@ 44-55E	K27908F
K15	Shift Correction Package	1	85-95	KA4LD	S27908E
K15	Shift Correction Package	1	95-04	K4R-5R55E	S27908F
GASKETS AND RUBBER COMPONENTS					
G1	Gasket, oil pan	1	85-08	E5TZ-7A191-A	13720X
G1	Gasket, oil pan	1	85-08	E5TZ-7A191A	13720D
A2	Seal, lathe cut	1	85-08	D5ZZ-7A248-A	13701
A3	Gasket	1	85-08	D5TZ-7A136-B	13702
A4	Washer	8	85-89	E830124-S	13718
A4	O'ring	8	90-08	E804595-S200	13718A
B5	Seal, lathe cut	1	85-87	D7ZZ-7D404A	13713A
B5	Lip seal	1	88-08	E8TZ-7D404-A	13713
C5	Seal, lathe cut	1	85-87	D7ZZ-7D404-A	13713A
C5	Lip seal	1	88-08	E8TZ-7D404-A	13713
B6	Lip seal	1	88-96	E8TZ-7A548-A	13714
B6	Seal, lathe cut	1	85-87	D7ZZ-7A548-A	13714A
B6	Lip seal	1	97-08	F77Z-7A548-AA	13714C
C6	Lip seal	1	88-96	E8TZ-7A548-A	13714
C6	Seal, lathe cut	1	85-87	D7ZZ-7A548-A	13714A
C6	Lip seal	1	90-08	F0TZ-7A548-A	13714B
D7	Seal, lathe cut	1	85-08	D4ZZ-7A548-B	13711
D8	Seal, lathe cut	1	85-08	D4ZZ-7A548-A	13712

A4LD•4R44E•4R55E•5R55E

A4LD•4R44E•4R55E•5R55E

ILL	DESCRIPTION	QTY	YEAR	REFERENCE #	PART #
GASKETS AND RUBBER COMPONENTS (CONTINUED)					
G9	Gasket, valve body A4LD (upper)	1	85-95	E8RY-7C155-A	13777
G9	Gasket, valve body 4R44E/55E/5R55E (upper)	1	95-08	F5TZ-7C155-A	13777A
G10	Gasket, valve body A4LD (lower)	1	85-95	E8RY-7D100-A	13776
G10	Gasket, valve body 4R44E/55E/5R55E (lower)	1	95-08	F5TZ-7D100-B	13776A
G11	Seal, lathe cut A4LD (overdrive/intermediate servo cover)	2	85-85	D4ZZ-7D040-A	13706
G11	O'ring overdrive/intermediate servo cover	2	86-08	E6TZ-7D040-A	13706A
G12	O'ring A4LD/4R44E/55E/5R55E (reverse servo small)	1	85-08	D4ZZ-7423-B	3435L
F13	O'ring A4LD/4R44E/55E/5R55E (reverse servo large)	1	83-08	D4ZZ-7423-A	13715
G14	Gasket A4LD/4R44E/55E/5R55E (reverse servo cover)	1	85-08	D4ZZ-7L173-A	13708
G15	O'ring A4LD (filter large)	1	85-85	E6TZ-7A469-A	13782
G15	O'ring A4LD/4R44E/55E/5R55E (filter large)	1	86-08	E6TZ-7A469-A	13782A
G16	O'ring A4LD (filter small)	1	85-85	E6TZ-7A469-B	13783
G16	O'ring A4LD/4R44E/55E/5R55E (filter small)	1	86-08	E6TZ-7A469-B	13783A
G17	O'ring A4LD (modulator)	1	85-95	E853110-S	13707
G18	O'ring A4LD (throttle valve lever shaft)	1	85-95	386078-S	3499L
G19	O'ring A4LD (neutral safety switch/MLPS)	1	85-95	E853116-S	13710
D20	Rubber cushion A4LD (forward clutch)	1	85-89	D8ZZ-7B070-A	13740
D20	Rubber cushion A4LD/4R44E/55E/5R55E (forward clutch)	1	90-08	F0TZ-7B070-A	13742
G21	Gasket A4LD (extension housing)	1	85-08	D4ZZ-7086-B	13709
G23	Grommet 5/16" id 1/2" od (not in kit) A4LD/4R44E/55E/5R55E (linkage small)	1	85-08	D5AZ-7341-A	96-126
n/i	O'ring speedo/output speed sensor/case	1	85-08	87036-S94	3410L
n/i	O'ring A4LD/4R44E/55E/5R55E (filler tube to case)	1	85-08	87034-S94	3291L
n/i	Ball, check .250" od (viton) A4LD/4R44E/55E/5R55E (valve body)	5	85-08	E0AZ-7E195-A	13924
n/i	O'ring A4LD (oil cooler tubes)	4	85-08	380892-S94	13327
n/i	Seal, lathe cut (viton) A4LD (governor)	3	85-95	E7TZ-7D011-A	13675
n/i	O'ring A4LD (case connector to case)	2	85-95	84400120	13723
n/i	O'ring 4R44E/4R55E/5R55E (case connector to case)	2	95-08	84400120	13724
n/i	O'ring 4R44/55E (pump gear to converter hub)	1	95-08	W701431-S300	13725
n/i	O'ring 4R44/55E/5R55E (shift solenoid small)	1/4	95-08	W702949-S300	23096
n/i	O'ring 4R44/55E/5R55E (shift solenoid large)	1/4	95-08	W702951-S300	23097
METAL CLAD SEALS					
A24	Seal, metal clad A4LD/4R44E (front)	1	85-96	E5TZ-7A248-A	27601B
A24	Seal, metal clad (rubber coated) 4R55E/5R55E (front)	1	97-08	F7TZ-7A248-AA	27601C
G25	Seal, metal clad (w/boot) A4LD/4R44E/55E/5R55E (extension housing)	1	85-08	E2ZZ-7052-A	27695E
G25	Seal, metal clad (w/o boot) A4LD/4R44E/55E/5R55E (extension housing)	1	85-08	D5ZZ-7052-A	27695
G26	Seal, metal clad A4LD/4R44E/55E/5R55E (manual lever shaft)	1	85-08	D5ZZ-7B498-A	6507A
SEALING RINGS					
K10	Kit, sealing ring A4LD	1	85-95	AE	K27901D
K10	Kit, sealing ring 4R44E/4R55E	1	95-96	AE	K27901G
K10	Kit, sealing ring 4R55E/5R55E	1	97-08	AE	K27901H
C28	Ring, sealing .083" (viton) A4LD (center support to direct drum)	2	85-92	E5TZ-7D429-A	13779
C28	Ring, sealing .103" (viton) A4LD/4R44E (center support to direct drum)	2	93-96	F3TZ-7D429-A	13779A
C28	Ring, sealing (plastic) center support to direct drum	2	97-08	n/a	27228A
A29	Ring, sealing (teflon/scarf cut) A4LD (pump stator/lock up/TCC)	1	85-95	E5TZ-7L323-A	27230T
A29	Ring, sealing (teflon/butt cut) 4R44E/55E/5R55E (pump stator/lock up/TCC)	1	95-08	IL2Z-7L323-AA	27230AT
D30	Ring, sealing (metal) A4LD/4R44E (forward clutch housing)	2	85-96	D4ZZ-7D019-A	27227
D30	Ring, sealing (brass) 4R44E/55E/5R55E (forward clutch housing)	2	97-08	n/a	27227A
A31	Ring, sealing (teflon) A4LD/4R44E (overdrive clutch drum)	2	85-96	E5TZ-7D025-A	27229T
A31	Ring, sealing (plastic) 4R44E/55E/5R55E (overdrive clutch drum)	2	97-08	n/a	27228A
F32	Ring, sealing (seal plated) A4LD (governor)	3	85-95	F0TZ-7D011-A	27645

ILL	DESCRIPTION	QTY	YEAR	REFERENCE #	PART #
CLUTCH PLATES					
D34	Friction .075" 4.891" od 48T	A4LD (direct clutch)	5	85-89	E3ZZ-7B164-B 27304
D34	Friction 1.75mm .069" 4.891" od 48T	A4LD/4R44E (direct clutch)	6	90-96	F0TZ-7B164-B 27304B
D34	Friction .069" 4.891" od 48T (directional)	direct clutch (helical groove)	6	97-08	F7ZZ-7B-164-BA 27304D
D35	Steel .068" 3.969" id 20T	A4LD (direct clutch)	5	85-89	D8ZZ-7B442-B 27305A
D35	Steel .065" 3.969" id 20T	A4LD/4R44E (direct clutch)	6	90-96	F0TZ-7B442-B 27305B
D35	Steel .082" 3.969" id 20T	4R44E/55E/5R55E (direct clutch)	4/6	97-08	F7ZZ-7B442-AA 27305C
D35	Steel .100" 3.969" id 20T (oversized)	A4LD/4R44E/55E/5R55E (direct clutch)	ar	85-08	D4ZZ-7B442-BOS 27305X
D36	Friction .075" 4.652" od 72T	A4LD (forward clutch)	5	85-89	E3ZZ-7B164-A 27404
D36	Friction .069" 4.652" od 72T	A4LD/4R44E (forward clutch)	6	90-96	F0TZ-7B164-A 27404B
D36	Friction .069" 4.652" od 72T (directional)	forward clutch (helical groove)	6	97-08	F7ZZ-7B164-AA 27404D
D37	Steel .068" 3.801" id 19T	A4LD (forward clutch)	5	85-89	D8ZZ-7B442-A 27505A
D37	Steel .065" 3.801" id 19T	A4LD/4R44E/55E/5R55E (forward clutch)	6	90-08	F0TZ-7B442-A 27505B
D37	Steel .100" 3.801" id 19T (oversized)	A4LD/4R44E/55E/5R55E (forward clutch)	ar	85-08	D4ZZ-7B442-AOS 27505X
C38	Friction .078" 4.891" od 32T (narrow)	A4LD (overdrive clutch)	2/3	85-89	E5TZ-7B164-A 27504
C38	Friction .069" 4.891" od 16T (wide)	A4LD/4R44E (overdrive clutch)	3	90-96	F0TZ-7B164-C 27504C
C38	Friction .069" 4.891" od 16T (directional)	4R44E/55E/5R55E (overdrive clutch)	3	97-08	F7ZZ-7B164-CA 27504D
C39	Steel .068" 3.969" id 20T	A4LD (overdrive clutch)	2/3	85-89	D8ZZ-7B442-B 27305A
C39	Steel .065" 3.969" id 20T	A4LD/4R44E/55E/5R55E (overdrive clutch)	3	90-08	F0TZ-7B442-B 27305B
PRESSURE PLATES					
D40	Pressure plate .202" 19T	A4LD (forward clutch)	1	85-89	D4ZZ-7B066-A 27307-R
D40	Pressure plate .222" 19T	A4LD/4R44E/55E/5R55E (forward clutch)	1	90-08	F0TZ-7B066-A 27307D-R
B41	Pressure plate .202" 20T	A4LD (overdrive clutch)	1	85-89	D4ZZ-7B066-B 27307A-R
B41	Pressure plate .199" 20T	A4LD/4R44E/55E/5R55E (overdrive clutch)	1	90-08	F0TZ-7B066-B 27307B-R
D41	Pressure plate .202" 20T	A4LD (direct clutch)	1	85-89	D4ZZ-7B066-B 27307A-R
D41	Pressure plate .199" 20T	A4LD/4R44E/55E/5R55E (direct clutch)	1	90-08	F0TZ-7B066-B 27307B-R
FILTERS					
K9	Kit, filter (4WD)	A4LD (neoprene/cork)	1	85-85	AE FK27800D
K9	Kit, filter (4WD)	A4LD (Duraprene®)	1	85-85	AE DK27800D
K9	Kit, filter (2WD)	A4LD (neoprene/cork)	1	85-85	AE FK27800E
K9	Kit, filter (2WD)	A4LD (Duraprene®)	1	85-85	AE DK27800E
K9	Kit, filter (2WD)	A4LD (neoprene/cork)	1	85-88	AE FK27800G
K9	Kit, filter (2WD)	A4LD (Duraprene®)	1	85-88	AE DK27800G
K9	Kit, filter (4WD)	A4LD/4R44E/55E/5R55E (neoprene/cork)	1	85-08	AE FK27800F
K9	Kit, filter (4WD)	A4LD/4R44E/55E/5R55E (Duraprene®)	1	85-08	AE DK27800F
K9	Kit, filter (2WD)	A4LD/4R44E/55E/5R55E (neoprene/cork)	1	89-08	AE FK27800H
K9	Kit, filter (2WD)	A4LD/4R44E/55E/5R55E (Duraprene®)	1	89-08	AE DK27800H
G43	Filter (2WD)	A4LD	1	85-85	E5TZ-7A098-B 27800E
G43	Filter (4WD)	A4LD	1	85-85	E5TZ-7A098-A 27800D
G43	Filter (2WD)	A4LD	1	85-88	E6TZ-7A098-B 27800G
G43	Filter (4WD)	A4LD/4R44E/55E/5R55E	1	85-08	E6TZ-7A098-A 27800F
G43	Filter (2WD)	A4LD/4R44E/55E/5R55E	1	89-08	E9TZ-7A098-C 27800H
n/i	Screen, filter	lock-up/TCC solenoid	1	85-08	E8TZ-7N113-AA 27712
MODULATORS					
G44	Modulator	A4LD	1	85-95	E5TZ-7A377-BC 27830G
G44	Modulator (w/Modojust, will retro)	to allow adj w/heat shield thumb wheel	1	90-95	F0TZ-7A377-A 27830H
G44	Modulator (turbo)(olive)	A4LD	1	85-95	27830E
BANDS					
B45	Band, flex	A4LD/4R44E/55E/5R55E (overdrive)	1	85-08	E6TZ-7D034-A 27320F
B45	Band, flex (triple wrap)	A4LD/4R44E/55E/5R55E (overdrive 4.0L only)	1	90-08	F0TZ-7F196-A 27320E
C45	Band, flex	A4LD/4R44E/55E/5R55E (intermediate)	1	85-08	E6TZ-7D034-A 27320F
F46	Band, rigid	A4LD/4R44E/55E/5R55E (reverse)	1	85-06	E3ZZ-7D095-A 27520A
n/i	Nut, band adjusting (w/seal)	A4LD/4R44E/55E/5R55E	2	85-08	380850-S 26610

A4LD•4R44E•4R55E•5R55E

A4LD•4R44E•4R55E•5R55E

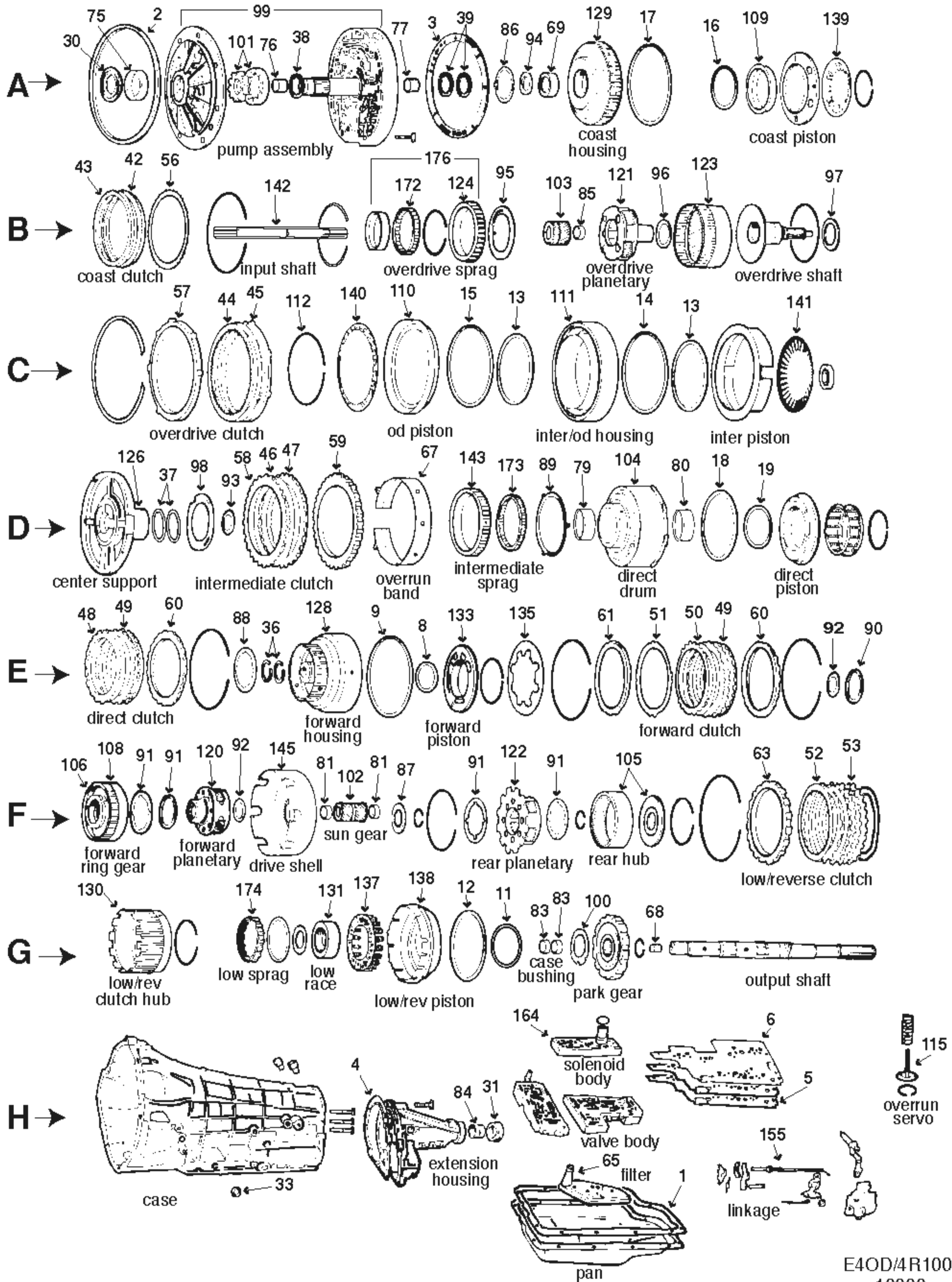
ILL	DESCRIPTION	QTY	YEAR	REFERENCE #	PART #	
BUSHINGS						
K13	Kit, bushing	A4LD/4R44E	1	85-96	AE	K27905D
A52	Bushing (bronze)	A4LD/4R44E/55E/5R55E (bell/pump housing)	1	85-08	n/a	27001A
A52	Bushing (babbitt)	A4LD/4R44E/55E/5R55E (bell/pump housing)	1	85-08	n/a	27001B
A52	Bushing (seal-sure)	A4LD/4R44E/55E/5R55E (bell/pump housing)	1	85-08	n/a	27001X
A53	Bushing	A4LD (pump/stator front)	1	85-87	n/a	27000
A53	Bushing	A4LD/4R44E/55E/5R55E (pump/stator front)	1	88-08	n/a	27009
A54	Bushing	A4LD/4R44E/55E/5R55E (pump/stator rear)	1	85-08	n/a	27000A
C55	Bushing	A4LD/4R44E (direct drum cast iron only)	1	85-96	90DT-7D046-AA	27002
C55	Bushing (bronze)	A4LD/4R44E (direct drum)	1	85-96	84GT-7L671-AA	27002B
F56	Bushing	A4LD/4R44E (reverse/rear drum except 4.0L)	1	85-96		27004
E57	Bushing	A4LD/4R44E (rear sun gear front and rear)	2	85-96	74DT-7D065-A	27003
G58	Bushing	A4LD/4R44E (case)	1	85-96		27005
G59	Bushing	A4LD/4R44E/55E/5R55E (extension housing)	1	85-08	74DT-7A034-AA	16001A
B60	Bushing (bronze)	A4LD/4R44E (overdrive drum)	1	85-96		27002B
B61	Bushing	A4LD/4R44E/55E/5R55E (overdrive sun gear)	1	85-08	94GT-7D065-BA	27000
F62	Bushing (bronze)	A4LD (output shaft pilot)	1	85-89		27006
F62	Bushing, caged	A4LD/4R44E/55E/5R55E (output shaft pilot)	1	90-08		27006B
WASHERS/BEARINGS/RACES/SHIMS						
K14	Kit, thrust washer (w/o selectives)	A4LD/4R44E (except below)	1	85-96	AE	K27907D
K14	Kit, thrust washer	4.0L (w/o bearings or selectives)	1	90-96	AE	K27907E
K14	Kit, thrust washer	4R44E/4R55E (w/o selectives/w/o lube dam)	1	97-01	AE	K27907G
F62	Bearing, caged	A4LD/4R44E/55E/5R55E (output shaft pilot)	1	90-08	n/a	27006B
B68	Thrust washer (metal) .055"	A4LD (pump to overdrive drum)	sel	85-08	E5TZ-7D014-A	27209A
B68	Thrust washer (plastic) .063" (#2)	A4LD/4R44E/55E (pump to overdrive drum)	sel	85-08	E5TZ-7D014-B	27209B
B68	Thrust washer (plastic) .078" (#3)	A4LD/4R44E/55E (pump to overdrive drum)	sel	85-08	E5TZ-7D014-C	27209C
B68	Thrust washer (plastic) .094" (#4)	A4LD/4R44E/55E (pump to overdrive drum)	sel	85-08	E5TZ-7D014-D	27209D
B68	Thrust washer (plastic) .109" (#5)	A4LD/4R44E/55E (pump to overdrive drum)	sel	85-08	E5TZ-7D014-E	27209E
C68	Thrust washer (metal) .055"	A4LD (center support direct drum)	sel	85-95	E5TZ-7D014-A	27209A
C68	Thrust washer (plastic) .063" (#2)	A4LD/4R44E/55E (center supt direct drum)	sel	85-96	E5TZ-7D014-B	27209B
C68	Thrust washer (plastic) .078" (#3)	A4LD/4R44E/55E (center supt direct drum)	sel	85-96	E5TZ-7D014-C	27209C
C68	Thrust washer (plastic) .094" (#4)	A4LD/4R44E/55E (center supt direct drum)	sel	85-96	E5TZ-7D014-D	27209D
C68	Thrust washer (plastic) .109" (#5)	A4LD/4R44E/55E (center supt direct drum)	sel	85-96	E5TZ-7D014-E	27209E
C68	Bearing, thrust .105"	A4LD/4R44E/55E (center support rear)	sel	93-96	F3TZ-7L326-A	27233
C68	Bearing, thrust .120"	4R44E/55E (center support rear)	sel	95-96	F5TZ-7L326-A	27233A
C68	Bearing, thrust .125"	4R44E/55E (center support rear)	sel	95-96	F5TZ-7L326-B	27233B
C68	Bearing, thrust .130"	4R44E/55E (center support rear)	sel	95-96	F5TZ-7L326-C	27233C
C68	Bearing, thrust	4R44E/55E (center support rear)	1	97-08	F7TZ-7D014-VA	27231
C69	Thrust washer 2.594" id 3" od	A4LD/4R44E (center support front)	1	85-96	E5TZ-7L326-A	27217
C69	Bearing, thrust .105"	od sft to center sup frt w/snap type shell	1	93-96	F3TZ-7L326-A	27233
C69	Bearing, thrust	overdrive shaft to center support	1	97-08	F77Z-7M153-EB	27226
D70	Thrust washer	fwd hsg to center sup w/o snap type shell	1	85-96	E5TZ-7C096-A	27210D
D70	Bearing, thrust	fwd hsg to center sup w/snap type shell	1	93-95	F3TZ-7C096-A	27225
D70	Bearing, thrust	center support frt to fwd hsg direct drum	1	97-08	F77Z-7M153-EB	27226
E71	Thrust washer (3 tabs)	forward housing to forward planetary	1	85-89	D4ZZ-7D090-A	27211A
E71	Bearing, thrust	fwd hsg to fwd hub w/6 pinion planetary	1	90-95	F3TZ-7D234-A	27235
E72	Thrust washer (4 tabs)	A4LD (forward hub to snap ring)	1	85-89	D4ZZ-7D090-B	27211
E72	Thrust washer (cup type)	forward ring gear hub w/4 pinion planetary	1	87-90	E7TZ-7A045-A	27011
E72	Thrust washer (cup type)	fwd ring gear hub w/6 pinion planetary	1	90-08	F0TZ-7D090-A	27011A
E73	Thrust washer (6 tabs outer)	drive shell to rear planetary aluminum	2	85-89	D4ZZ-7A166-A	27213
E73	Thrust washer (3 tabs outer)	drive shell to rear planetary steel	1	89-96	F0TZ-7A166-A	27213B
E73	Thrust washer (3 tabs outer)	rear planetary to rear hub steel	1	89-96	F0TZ-7A166-B	27213A
E73	Bearing, thrust	drive shell to rear planetary	1	97-08	F7ZZ-7M151-BA	27232
E73	Bearing, thrust	rear planetary to rear hub	1	97-08	F77Z-7M153-EB	27226

ILL	DESCRIPTION	QTY	YEAR	REFERENCE #	PART #
WASHERS/BEARINGS/RACES/SHIMS (CONTINUED)					
E74	Bearing, thrust forward hub to forward planetary	1	89-08	E1FZ-7F374-A	57407
E74	Thrust washer (6 tabs outer) A4LD (forward hub to forward planetary)	1	85-89	D4ZZ-7A166-A	27213
E75	Thrust washer (metal) 27T internal A4LD (drive shell to thrust washer)	1	85-96	D4ZZ-7D066-A	27215
F76	Thrust washer A4LD (rear hub to rear sprag inner race)	1	85-89	D4ZZ-7D422-B	27218
F76	Thrust washer rear hub to rear sprag inner race (4.0L)	1	90-96	F0TZ-7D422-A	27218B
F77	Thrust washer (not in kit) rear sprag inner race to case (4.0L)	1	90-08	n/a	27224
E78	Race, thrust bearing fwd planetary brg open face to sun gear	1	85-95	E5TZ-7D235-A	27219-R
B79	Race, thrust bearing od planetary brg open face to sun gear	1	85-96	E5TZ-7D235-B	27220-R
C80	Thrust washer 4.078" od A4LD (overdrive overrunning clutch)	1	85-92	E5TZ-7L339-A	27221
B81	Bearing, thrust (flat/open faced) od carrier to od hub w/shaft	1	85-08	E5TZ-7L495-A	27222
B82	Washer overdrive drum to overdrive sun gear	1	85-08	E5TZ-7660-A	27223
E83	Race rear hub to rear inner sprag race	1	97-08	F7ZZ-7M150-DA	27218C
E83	Bearing, thrust rear hub to rear inner sprag race	1	97-08	F7ZZ-7M150-CA	27218D
F84	Thrust washer A4LD/4R44E/55/5R55E (case to park gear)	1	85-08	D4ZZ-7B368-A	27216
SNAP RINGS					
E85	Snap ring .096" A4LD/4R44E/55E/5R55E (forward clutch)	1	85-08	E860115-S	27510C
PUMP PARTS AND PUMPS					
A86	Support, pump assembly 8mm bolts no plate	1	85-87	E5TZ-7A103-A	27200D
A86	Support, pump assembly 8mm bolts no plate	1	85-87	E5TZ-7A103-A	27200D-R
A86	Support, pump assembly 10mm bolts no plate	1	88-95	E8TZ-7A103-A	27200E
A86	Support, pump assembly 10mm bolts no plate	1	88-95	E8TZ-7A103-A	27200E-R
A86	Support, pump w/o bearings 4R44E/4R55E	1	95-96	XL2Z-7A103-BA	27200G
A86	Support, pump w/o bearings 4R44E/4R55E	1	95-96	XL2Z-7A103-BA	27200G-R
A86	Support, pump w/bearings 4R44E/4R55E/5R55E	1	97-08	F77Z-7A103-CA	27200H
A86	Support, pump w/bearings 4R44E/4R55E/5R55E	1	97-08	F77Z-7A103-CA	27200H-R
A87	Plate, pump w/8mm bolt holes A4LD	1	85-87	E5TZ-7B472-B	27202D
A87	Plate, pump w/10mm bolt holes A4LD	1	88-95	F0TZ-7B472-A	27202E
A87	Plate, pump 4R44E/4R55E/5R55E	1	95-08	F5TZ-7B472-A	27202G
A87	Plate, pump 4R44E/4R55E/5R55E	1	95-08	F5TZ-7B472-A	27202G-R
A88	Gear set A4LD/4R44E/4R55E	1	85-95	74DT-7L201	K27201
A88	Gear set 4R44E/4R55E/5R55E	1	95-08	AE	K27201A
HARD PARTS					
D89	Drum, forward (6 clutch) A4LD	1	90-96	F0TZ-7A360-A	27400B-R
D89	Drum, forward (5 clutch) A4LD	1	85-96	F0TZ-7A360-B	27400C-R
D89	Drum, forward (5 clutch) 4R44E/55E/5R55E	1	97-08	F77Z-7A360-DD	27400D-R
D89	Drum, forward (6 clutch) 4R44E/55E/5R55E	1	97-08	F77Z-7A360-EE	27400E-R
C90	Drum, direct (4 clutch stamped steel) A4LD	1	85-89	E5TZ-7D044-F	27300C-R
C90	Drum, direct (5 clutch stamped steel) A4LD	1	85-89	E5TZ-7D044-E	27300G
C90	Drum, direct (5 clutch stamped steel) A4LD	1	85-89	E5TZ-7D044-E	27300G-R
C90	Drum, direct (6 clutch cast iron) A4LD (snap type drive shell)	1	90-95	F0TZ-7D044-C	27300F
C90	Drum, direct (6 clutch cast iron) A4LD (snap type drive shell)	1	90-95	F0TZ-7D044-C	27300F-R
C90	Drum, direct (4 clutch cast iron) A4LD/4R44E (snap type drive shell)	1	90-96	n/a	27300Q-R
C90	Drum, direct (4 clutch cast iron) A4LD (non snap type drive shell)	1	90-94	F0TZ-7D044-A	27300D-R
C90	Drum, direct (5 clutch cast iron) A4LD (non snap type drive shell)	1	90-95	F0TZ-7D044-B	27300E-R
C90	Drum, direct (6 clutch cast iron) A4LD/4R44E	1	90-96	n/a	27300P-R
C90	Drum, direct (4 clutch) A4LD/4R44E	1	95-96	F5TZ-7D044-C	27300H-R
C90	Drum, direct (5 clutch) A4LD/4R44E	1	95-96	F5TZ-7D044-D	27300J-R
C90	Drum, direct (4 clutch) 4R44E/55E	1	97-01	F77Z-7D044-AA	27300K-R
C90	Drum, direct (5 clutch) 4R44E/55E	1	97-01	XL2Z-7D044-CA	27300L-R
C90	Drum, direct 4R44E/55E	1	99-01	F87Z-7D044-AA	27300M-R
C90	Drum, direct 4R44E/55E/5R55E	1	02-08	IL5Z-7D044-BA	27300N-R
E92	Planetary (aluminum) A4LD (rear/reverse)	1	85-87	D4ZZ-7D006-A	27448-R
E92	Planetary (4 pinion steel) A4LD/4R44E (rear/reverse)	1	87-96	E7SZ-7D006-C	27448A-R

A4LD•4R44E•4R55E•5R55E

A4LD•4R44E•4R55E•5R55E

ILL	DESCRIPTION	QTY	YEAR	REFERENCE #	PART #	
HARD PARTS (CONTINUED)						
E92	Planetary (6 pinion steel)	A4LD/4R44E (rear/reverse 4.0L)	1	90-96	F0TZ-7D006-A	27448B-R
E92	Planetary (4 pinion steel)	4R44E/55E/5R55E (rear/reverse)	1	97-08	XL2Z-7D006-BA	27448C-R
E92	Planetary (6 pinion steel)	4R44E/55E/5R55E (rear/reverse)	1	97-08	XL2Z-7D006-AA	27448D-R
E93	Hub, rear	A4LD (output)	1	85-91	D4ZZ-7A153-A	27427-R
E93	Hub, rear	A4LD/4R44E (output)	1	87-96	E7SZ-7D164-A	27427A-R
E93	Hub, rear	A4LD/4R44E (output 4.0L)	1	90-96	F0TZ-7D164-C	27427B
E93	Hub, rear	A4LD/4R44E (output 4.0L)	1	90-96	F0TZ-7D164-C	27427B-R
E93	Hub, rear	4R44E/55E/5R55E (output)	1	97-08	F77Z-7D164-AD	27427C-R
C94	Planetary, overdrive	A4LD	1	85-94	E5TZ-7B446-A	27413D
C94	Planetary, overdrive	A4LD	1	85-94	E5TZ-7B446-A	27413D-R
C94	Planetary, overdrive (w/reluctor ring)	4R44E/55E/5R55E	1	95-08	XL2Z-7B446-AB	27413E
E96	Planetary (3 pinion aluminum)	w/ring gear hub (forward)	1	85-87	D4ZZ-7A398-A	27412-R
E96	Planetary (6 pinion steel w/ring gear hub)	A4LD (forward)	1	90-08	E7TZ-7A398-A	27412A-R
F99	Drum, reverse	A4LD (except 4.0L)	1	85-96	D4ZZ-7C498-A	27560-R
F99	Drum, reverse (w/sprag)	A4LD (4.0L)	1	90-96	F0TZ-7C498-A	27560A
F99	Drum, reverse (w/sprag)	A4LD (4.0L)	1	90-96	F0TZ-7C498-A	27560A-R
F99	Drum, reverse (w/sprag)	4R44E/4R55E	1	97-08	XL2Z-7C498-BA	27560B
F99	Drum, reverse (w/sprag)	5R44E/5R55E	1	97-08	XL2Z-7C498-AA	27560C
A101	Shaft	A4LD/4R44E/4R55E/5R55E	1	85-08	F0TZ-7017-D	27411D-R
B103	Gear, sun 24T	A4LD/4R44E/4R55E/5R55E (overdrive)	1	85-08	F7RZ-7D063-AA	27728D-R
C105	Support, center	A4LD	1	85-94	E9TZ-7A130-AA	27902D
C105	Support, center	A4LD	1	85-94	E5TZ-7A130-A	27902D-R
C105	Support, center (w/snap type shell)	A4LD	1	90-94	F1TZ-7A130-AA	27902E
C105	Support, center (w/snap type shell)	A4LD	1	90-94	F1TZ-7A130-AA	27902E-R
C105	Support, center	4R44E/4R55E	1	95-96	F5TZ-7A130-B	27902G-R
C105	Support, center	4R44E/55E/5R55E	1	97-08	F77Z-7A130-CB	27902H-R
F110	Governor assembly	A4LD	1	85-95	D8ZZ-7C063-A	27615A-R
B113	Drum, overdrive	A4LD	1	85-89	E9TZ-7L669-A	27420
B113	Drum, overdrive	A4LD	1	85-89	E9TZ-7L669-A	27420-R
B113	Drum, overdrive	A4LD	1	90-94	F0TZ-7L669-A	27420A
B113	Drum, overdrive	4R44E/55E	1	95-96	F5TZ-7L669-A	27420B-R
B113	Drum, overdrive	4R44E/55E/5R55E	1	97-08	XL2Z-7L669-AA	27420C-R
C114	Shaft (hub/outer race)	A4LD (overdrive bushing type output shaft)	1	85-89	E5TZ-7A658-A	27450
C114	Shaft (hub/outer race)	A4LD (overdrive bushing type output shaft)	1	85-89	E5TZ-7A658-A	27450-R
C114	Shaft (hub/outer race)	overdrive bearing type output shaft	1	90-95	F0TZ-7A658-A	27450A
C114	Shaft (hub/outer race)	overdrive bearing type output shaft	1	90-95	F0TZ-7A658-A	27450A-R
C114	Shaft (hub/outer race w/plastic sprag)	overdrive bearing type output shaft	1	92-96	F3TZ-7A658-A	27450B-R
C114	Shaft (hub/outer race w/plastic sprag)	overdrive bearing type output shaft	1	97-08	XL2Z-7A658-AA	27450C-R
E115	Shell, drive (w/sun gear)	A4LD	1	85-90	F0TZ-7D064-A	27728-R
E115	Shell, drive (w/o sun gear snap type)	A4LD	1	90-95	F3TZ-7D064-A	27728A
E115	Shell, drive (w/sun gear snap type)	A4LD	1	90-95	F3TZ-7D064-A	27728A-R
E115	Shell, drive (w/sun gear w/o sensor slots)	4R44E/55E/5R55E	1	97-01	F77Z-7D064-BB	27728B-R
E115	Shell, drive (w/sun gear w/sensor slots)	4R44E/55E/5R55E	1	01-08	IL5Z-7D064-AA	27728C-R
E116	Oil dam (output hub)	A4LD/4R44E/55E/5R55E	1	90-08	F0TZ-7B176-A	27025
D121	Set, retainer w/springs	A4LD/4R44E/55E/5R55E	2	85-08	K56850	K27301
G126	Lever, shift	T-Bird	1	87-93	E7SZ-7A256-A	E7SZ-7A256-A
G126	Lever, shift	Mustang	1	87-93	F3ZZ-7A256-A	E7ZZ-7A256-A
G126	Lever, shift	Merkur	1	88-89	E7RY-7A256-A	E7RY-7A256-A
G126	Lever, shift	Aerostar	1	85-91	E5TZ-7A256-B	E5TZ-7A256-B
G126	Lever, shift	all others	1	85-88	E5TZ-7A256-A	E5TZ-7A256-A
G126	Lever, shift	all others	1	89-95	F3TZ-7A256-A	E9TZ-7A256-B
G126	Lever, shift	Aerostar	1	92-95	F3TZ-7A256-B	F3TZ-7A256-B
n/i	Linkage pin	A4LD/4R44E/55E/5R44E/55E	1	85-08	n/a	096-009



E40D/4R100
10000

ILL	DESCRIPTION	QTY	YEAR	REFERENCE #	PART #
TECHNICAL MANUALS					
K53	Tech manual Ford E4OD dis/assembly	1	89-98	83-E4ODTM	010-208
K53	Update handbook changes, parts	1	89-98	83-E4ODTM-U1	010-213
K53	Tech manual 4R100 dis/assembly	1	98-05	83-4R100TM	010-223
K53	Update handbook changes, parts	1	98-05	83-4R100TM-U1	010-227
REBUILDER KITS					
K4	Master deluxe rebuild kit	1	89-95	AE	K1000-R
K4	Master deluxe rebuild kit	1	96-97	AE	K1000A-R
K4	Master deluxe rebuild kit	1	98-05	AE	K1000B-R
K5	Master kit w/steels	1	89-95	AE	K1000
K5	Master kit w/steels	1	96-97	AE	K1000A
K5	Master kit w/steels	1	98-05	AE	K1000B
K6	Master kit w/o steels	1	89-95	AE	K1000-LS
K6	Master kit w/o steels	1	96-97	AE	K1000A-LS
K6	Master kit w/o steels	1	98-05	AE	K1000B-LS
K7	O/H gasket set w/seals-rings	1	89-95	AE	K10900
K7	O/H gasket set w/seals-rings	1	96-05	AE	K10900A
K11	Gasket and seal kit	1	89-95	AE	K10900-1
K11	Gasket and seal kit	1	96-05	AE	K10900A-1
VALVE BODY KITS					
K15	Shift Kit® (w/EPC boost valve)	1	89-05	SK® E4OD	K10908
K15	Shift Correction Package	1	89-05	KE4OD	S10908
K15	Reprogramming Kit™	1	89-98	E4OD-HD2	E4OD-HD2
K15	Reprogramming Kit™	1	89-05	4R100-HD2	4R100-HD2
K15	Shift Improver Kit	1	89-98	10025	114-10025
K15	Transpak™	1	89-98	10055	114-10055
K15	Kit, accumulator spring	1	89-05	K035	K10706
K15	Kit, lock up (on/off)	1	98-05	4R100-LU	K10910
K15	Kit, 3 steels 2-3 shift valve fix no 3rd	1	96-00	E4-VL-23	K10914
GASKETS AND RUBBER COMPONENTS					
H1	Gasket, oil pan	1	89-05	E9TZ-7A191-A	13996X
H1	Gasket, oil pan	1	89-05	E9TZ-7A191-AF	13996D
H1	Gasket, oil pan	1	96-05	F6TZ-7A191-A	13996E
A2	Seal, lathe cut	1	89-05	E9TZ-7A248-A	13266E
A3	Gasket	1	89-05	E9TZ-7A136-A	13225E
H4	Gasket	1	89-05	E9TZ-7A088-B	13232E
H5	Gasket, valve body	1	89-89	E9TZ-7D100-B	13338
H5	Gasket, valve body	1	90-95	F0TZ-7D100-A	13338A
H5	Gasket, valve body	1	96-98	F6TZ-7D100-A	13338B
H5	Gasket, valve body	1	98-05	F81Z-7D100-AB	13338C
H6	Gasket, valve body	1	89-89	E9TZ-7C155-B	13337
H6	Gasket, valve body	1	90-95	F1TZ-7C155-B	13337A
H6	Gasket, valve body	1	96-98	F6TZ-7C155-A	13337B
H6	Gasket, valve body	1	98-05	F81Z-7C155-AA	13337C
E8	O'ring	1	89-05	E9TZ-7A548-F	13803
E9	Lip seal	1	89-05	D6AZ-7A548-A	13336
G11	Seal, lathe cut	1	89-97	C7AZ-7D404-A	13231
G11	Lip seal	1	96-05	F6TZ-7D404-A	13231A
G12	Seal, lathe cut	1	89-97	C8AZ-7D403-A	13229
G12	Lip seal	1	96-05	F6TZ-7D403-A	13229A
C13	Lip seal	2	89-97	E9TZ-7F225-A	23203
C14	Lip seal	1	89-97	E9TZ-7F224-A	23234
C15	Lip seal	1	89-97	E9TZ-7A548-A	23207
A16	Lip seal	1	89-97	E9TZ-7A548-C	23204

E4OD•4R100

E4OD•4R100

ILL	DESCRIPTION	QTY	YEAR	REFERENCE #	PART #
GASKETS AND RUBBER COMPONENTS (CONTINUED)					
A17	Lip seal E4OD (coast clutch piston outer)	1	89-97	E9TZ-7A548-B	23206
D18	Lip seal E4OD/4R100 (direct clutch piston outer)	1	89-05	E9TZ-7A548-D	23208
D19	Lip seal E4OD/4R100 (direct clutch piston inner)	1	89-05	E9TZ-7A548-E	23209
H22	O'ring E4OD/4R100 (elect connector/solenoid assy)	1	89-05	15123	23023
n/i	Ball, check 5/16" od (viton) E4OD/4R100	ar	89-05	E7DZ-7E195-A	13923A
n/i	Ball, check .250" od (viton) E4OD/4R100	3	96-05	EOAZ-7E195-B	13924
n/i	Washer E4OD/4R100 (pump bolt)	9	89-05	E9TZ-7G379-A	23740
n/i	O'ring E4OD/4R100 (filler tube)	1	89-05	87034-S94	3291L
n/i	O'ring E4OD (speedo to case)	1	89-97	87036-S94	3410L
n/i	Seal E4OD (wire harness/solenoid connector)	1	89-94	n/a	23745
n/i	Gasket 4R100 (PTO cover to case)	1	98-05	F81Z-7223-AA	23535
n/i	Gasket E4OD/4R100 (center support hub)	1	89-05	n/a	23536
n/i	Washer E4OD/4R100 (cooler bypass outlet)	2	89-05	391933-S100	23741
n/i	Washer E4OD/4R100 (cooler bypass inlet)	2	89-05	391932-S100	23742
METAL CLAD SEALS					
A30	Seal, metal clad E4OD (front)	1	89-05	E9TZ-7A248-B	10601
H31	Seal, metal clad (w/flange w/o boot) E4OD/4R100 (extension housing)	1	89-05	D5AZ-7052-NB	4743C
H31	Seal, metal clad (w/boot) E4OD/4R100 (extension housing)	1	89-05	D5TZ-7052-B	16695C
H31	Seal, metal clad 3.175" od (w/boot) 4R100 (extension housing)	1	98-05	F81Z-7052-AA	10695
H33	Seal, metal clad E4OD/4R100 (manual lever shaft)	1	89-05	D5AZ-7B498-A	6507A
SEALING RINGS					
K10	Kit, sealing ring (teflon/metal) E4OD/4R100	1	89-05	AE	K10901
E36	Ring, sealing (metal) E4OD/4R100 (forward clutch)	2	89-05	C6AZ-7D019-A	36401
D37	Ring, sealing (metal) E4OD/4R100 (direct clutch)	2	89-05	C6AZ-7D025-A	36210
D37	Ring, sealing (teflon) E4OD/4R100 (direct clutch)	2	89-05	C6AZ-7D025-A	36210T
A38	Ring, sealing (teflon) E4OD/4R100 (stator shaft lock-up/TCC)	1	89-05	E9TZ-7L323-A	10230T
A39	Ring, sealing (teflon) E4OD/4R100 (coast clutch)	2	89-05	E9TZ-7G402-A	10400T
CLUTCH PLATES					
B42	Friction .078" 6.600" od 60T E4OD/4R100 (coast clutch)	2	89-05	E9TZ-7B164-C	10104
B43	Steel .080" 5.851" 60T E4OD (coast clutch)	2	89-97	E9TZ-7B442-C	10105
B43	Steel .080" 5.851" 32T 4R100 (coast clutch)	2	98-05	F81Z-7B442-AA	10105A
C44	Friction .078" 8.700" od 64T (waffle) E4OD (overdrive clutch)	2/3	89-97	E9TZ-7B164-A	10108
C44	Friction .078" 8.691" od 32T 4R100 (overdrive clutch)	2/3	98-05	F81P-7B164-AA	10108A
C45	Steel .080" 7.467" id 6T E4OD/4R100 (overdrive clutch)	2/3	89-05	E9TZ-7B442-A	10107
D46	Friction .078" 7.800" od 50T (waffle) E4OD (intermediate clutch)	3	89-97	E9TZ-7B164-B	10102
D46	Friction .078" 7.800" od 50T (grooved) 4R100 (intermediate clutch)	3	98-00	F75Z-7F164-BA	10102A
D46	Friction .078" 7.800" od 60T 4R100 (intermediate clutch) (high energy)	3	01-05	IC3P-7F219-BA	10102B
D47	Steel .080" 6.210" id 30T E4OD (intermediate clutch)	2	89-98	E9TZ-7B442-B	10103
D47	Steel .125" 6.210" id 26T 4R100 (intermediate clutch) (not in kit)	2	99-05	E9TZ-7B066-C	10306
E48	Friction .077" 6.364" od 63T E4OD (direct clutch)	3/4	89-95	E9TZ-7B164-D	36304A
E48	Friction .077" 6.364" od 63T 4R100 (direct clutch)	5	96-05	F6TZ-7B164-B	36304
E49	Steel .078" 5.121" id 26T E4OD/4R100 (direct clutch)	6/8	89-05	E9TZ-7B442-D	36305
E49	Steel .059" 5.121" id 26T E4OD/4R100 (direct clutch)	ar	89-05	E9TZ-7B442-DUS	36305B
E50	Friction .075" 6.358" od 90T (hardened) E4OD/4R100 (forward clutch)	4	89-05	F2TP-7E311-A	36404C
E51	Plate, cushion .039" (waved) E4OD/4R100 (forward clutch)	1	87-05	D6AZ-7E085-B	36420-R
F52	Friction .075" 6.796" od 72T E4OD (reverse clutch)	6	89-97	D6AZ-7B164-A	36504A
F52	Friction .075" 6.796" od 24T 4R100 (reverse clutch)	6	98-05	F81Z-7B164-D	10119
F53	Steel .068" 5.800" id 18T E4OD/4R100 (reverse clutch)	6	89-05	E9TZ-7B442-E	36505
F53	Steel .081" 5.800" id 18T (oversized) E4OD/4R100 (reverse clutch)	ar	89-05	C6AZ-7B442-B05	36505X
n/i	Kit, clutch clearance (fixes delayed rev) E4OD/4R100 (reverse clutch)	1	89-05	26759	K10120
n/i	Kit, Z-pak E4OD/4R100 (intermediate clutch)	1	89-05	RZP-004	K10102Z

ILL	DESCRIPTION	QTY	YEAR	REFERENCE #	PART #	
PRESSURE PLATES						
B56	Pressure plate .250" 60T	E4OD (coast clutch)	1	89-97	E9TZ-7B066-E	10304-R
B56	Pressure plate 32T	4R100 (coast clutch)	1	98-05	F7TZ-7B066-AA	10304A-R
C57	Pressure plate .490" 6T	E4OD (overdrive clutch)	1	89-97	E9TZ-7B066-B	10305-R
C57	Pressure plate .320" 6T	E4OD/4R100 (overdrive clutch)	1	89-05	F3TZ-7B066-A	10305A-R
D58	Pressure plate .125" 30T	E4OD/4R100 (intermediate clutch apply)	1	89-05	E9TZ-7B066-C	10306-R
D59	Pressure plate .420" 30T	E4OD (intermediate clutch rear)	1	89-98	E9TZ-7B066-D	10307-R
D59	Pressure plate .580" 30T	E4OD (intermediate clutch rear)	1	90-98	F1TZ-7B066-A	10307A-R
D59	Pressure plate .330" 30T	4R100 (intermediate clutch rear)	1	99-05	F81Z-7B066-BA	10307B-R
E60	Pressure plate .345" 5.125" id 26T	E4OD/4R100 (forward/direct clutch)	2	89-05	C9AZ-7B066-B	36415A-R
E60	Pressure plate	E4OD/4R100 (direct clutch)	1	89-05	AE	10309-R
E60	Pressure plate .181" 5.125" id 26T	E4OD/4R100 (forward/direct)	ar	89-05	C6AZ-7B066-CS	36415S-R
E61	Pressure plate .128" 5.125" id 26T	E4OD/4R100 (forward clutch)	1	89-05	C6AZ-7B066-A	36415-R
F63	Pressure plate .437" 18T	E4OD/4R100 (reverse clutch)	1	89-05	C6AZ-7B066-C	36415B-R
F63	Pressure plate .562" 18T	E4OD/4R100 (reverse clutch)	1	89-05	E9TZ-7B066-A	10308-R
F63	Pressure plate .710" 18T	4R100 (reverse clutch)	1	97-05	F7TZ-7B066-AA	10308A-R
FILTERS						
K9	Kit, filter (2WD)	E4OD/4R100 (neoprene/cork)	1	89-05	AE	FK10423
K9	Kit, filter (4WD)	E4OD/4R100 (neoprene/cork)	1	89-05	AE	FK10423A
K9	Kit, filter (2WD)	E4OD/4R100 (Duraprene®)	1	89-05	AE	DK10423
K9	Kit, filter (4WD)	E4OD/4R100 (Duraprene®)	1	89-05	AE	DK10423A
K9	Kit, filter (2WD)	4R100 (elasomeric)	1	96-05	AE	FK10423E
K9	Kit, filter (4WD)	4R100 (elasomeric)	1	96-05	AE	FK10423F
H65	Filter (2WD)	E4OD/4R100	1	89-05	E9TZ-7G186-BA	10423
H65	Filter (4WD)	E4OD/4R100	1	89-05	E9TZ-7G186AA	10423A
n/i	Filter, screen	E4OD/4R100 (solenoid)	1	89-05	E9TZ-7G308-B	10712
n/i	Filter, screen	4R100 (accumulator)	1	99-05	F1TP-7H190-A	10713
BANDS						
D67	Band, flex	overrun	1	89-05	E9TZ-7D034-A	10320F
BUSHINGS						
K13	Kit, bushing	E4OD	1	89-97	AE	K10905
K13	Kit, bushing	4R100	1	98-05	AE	K10905A
G68	Bushing (bronze)	E4OD (output shaft pilot)	1	89-94	n/a	27006
A69	Bushing (bronze)	E4OD (coast housing cast iron)	1	89-05	84GT-7L671-AA	27002B
A69	Bushing	E4OD/4R100 (coast housing stamped steel)	1	98-05	n/a	10002
A75	Bushing (bronze)	E4OD (pump body)	1	89-95	C6AZ-7B258-A	36002
A75	Bushing (babbitt)	E4OD (pump body)	1	89-95	C6AZ-7B258-A	36002A
A75	Bushing .695" wide	4R100 (pump body)	1	98-05	E9TZ-7B258-A	10005
A76	Bushing (bronze)	E4OD/4R100 (stator shaft front)	1	89-05	C6AZ-7B261-C	36000A
A77	Bushing	E4OD/4R100 (stator shaft rear)	1	89-05	C6AZ-7D018-A	36001A
D79	Bushing .365" wide	E4OD/4R100 (direct drum front)	1	89-05	C6AZ-7D046-B	36004
D80	Bushing 1.242" wide	E4OD/4R100 (direct drum rear)	1	89-00	C6AZ-7D046-A	36003
D80	Bushing 1.100" wide	4R100 (direct drum rear)	1	00-05	n/a	10003
F81	Bushing	E4OD/4R100 (sun gear front/rear)	2	89-05	C6AZ-7D065-A	36005
G83	Bushing (w/oil groove)	E4OD/4R100 (case)	2	89-05	C6AZ-7025-D	36007
G83	Bushing (one piece)	E4OD/4R100 (case)	1	89-05	n/a	10007
H84	Bushing, extension housing	E4OD/4R100 (extension housing)	1	89-05	B5AZ-7A034-A	6023
H84	Bushing (teflon)	E4OD/4R100 (extension housing)	1	89-05	87014	10019
H84	Bushing	4R100 (extension hsg super duty large od)	1	98-05	n/a	10020
B85	Bushing (bronze)	E4OD/4R100 (overdrive sun gear)	1	89-05	C6AZ-7B261-C	36000A

E4OD•4R100

E4OD•4R100

ILL	DESCRIPTION	QTY	YEAR	REFERENCE #	PART #
WASHERS/BEARINGS/RACES/SHIMS					
K12	Kit, thrust bearing	1	89-05	AE	K10906
K14	Kit, thrust washer (w/popular selectives)	1	89-05	AE	K10907
A86	Thrust washer (metal) .055"	sel	89-95	E1TZ-7D014-A	27209A
A86	Thrust washer (plastic) .063" (#2)	sel	89-05	E1TZ-7D014-B	27209B
A86	Thrust washer (plastic) .078" (#3)	sel	89-05	E1TZ-7D014-C	27209C
A86	Thrust washer (plastic) .094" (#4)	sel	89-05	E1TZ-7D014-D	27209D
A86	Thrust washer (plastic) .109" (#5)	sel	89-05	E1TZ-7D014-E	27209E
F87	Thrust washer .049"	1	89-05	C6AZ-7D066-B	36416
E88	Thrust washer (4 tabs)	1	89-97	E9TZ-7C096-A	10422
D89	Thrust washer (plastic 3 tabs)	1	89-05	E9TZ-7G401-A	10405
E90	Thrust washer	1	89-05	C9AZ-7D060-A	36421
F91	Thrust washer (3 narrow tabs)	1	89-96	F0TZ-7A166-C	10426
F91	Thrust washer (3 wide tabs)	2	89-05	F0TZ-7A166-D	10428A
F91	Thrust washer (4 tabs)	1/3	89-96	E9TZ-7A166-A	10428
F91	Bearing, thrust .158" 2.471" id 3.386" od	1	97-05	F81Z-7A166-AA	10443
E92	Bearing, thrust .136" 2.115" od	1	89-05	E9TZ-7D234-A	53751
F92	Bearing, thrust .136" 2.115" od	1	89-05	E9TZ-7D234-A	53751
D93	Bearing, thrust	1	89-05	E1FZ-7F374-A	57407
A94	Bearing, thrust	1	89-05	E9TZ-7E486-A	10445
B95	Thrust washer	1	89-97	E9TZ-7L339-A	10446
B95	Thrust washer (V slot)	1	98-05	F81Z-76339-A	10446A
B95	Thrust washer (w/small inside)	1	98-05	n/a	10446B
B96	Bearing, thrust	1	89-05	E6DZ-7F240-A	67225
B97	Bearing, thrust 2.813" od	1	89-05	E6DZ-7G178-A	67223
D98	Thrust washer	1	89-05	E9TZ-7L326-A	10448
G100	Thrust washer	1	89-97	D3TZ-7B368-A	36437
G100	Bearing, thrust	1	98-05	F81Z-7B368-AA	10449
SNAP RINGS					
C112	Snap ring (wide)	1	89-05	F0TZ-7A257-A	10310
PUMP PARTS AND PUMPS					
A99	Pump (non/PWM)	1	89-97	F81Z-7A103-BA	10200
A99	Pump (non/PWM)	1	89-97	AE	10200-R
A99	Pump (non/PWM)	1	98-05	XC32-7A103-EA	10200A
A99	Pump (non/PWM)	1	98-05	AE	10200A-R
A99	Pump (PWM)	1	98-05	F81Z-7A103-CA	10200B
A99	Pump (PWM)	1	98-05	AE	10200B-R
A99	Pump (w/PTO)	1	98-98	n/a	10200C
A99	Pump (w/PTO)	1	98-98	n/a	10200C-R
A101	Gear set	1	89-93	AE	K10201
A101	Gear set	1	94-05	AE	K10201A
n/i	Correction package, pump	1	89-97	K062	10961
HARD PARTS					
F102	Sun gear	1	89-05	E9TZ-7D063-A	10729
F102	Sun gear	1	89-05	E9TZ-7D063-A	10729-R
B103	Sun gear	1	89-98	E9TZ-7D063-B	10730
B103	Sun gear	1	89-98	E9TZ-7D063-B	10730-R
D104	Drum, direct (3/4 clutch)	1	89-94	E9TZ-7D044-A	10411-R
D104	Drum, direct (5 clutch/uses 4 tabs washer)	1	95-97	F5TZ-7D044-B	10411A-R
D104	Drum, direct (4 clutch no washer)	1	98-05	YC3Z-7D044-AA	10411B
D104	Drum, direct (4 clutch no washer)	1	98-05	YC3Z-7D044-AA	10411B-R
D104	Drum, direct (5 clutch no washer)	1	98-05	YC3Z-7D044-BA	10411C
D104	Drum, direct (5 clutch no washer)	1	98-05	YC3Z-7D044-BA	10411C-R
F105	Hub, rear (w/ring gear)	1	89-05	E9TZ-7A153-B	10427-R

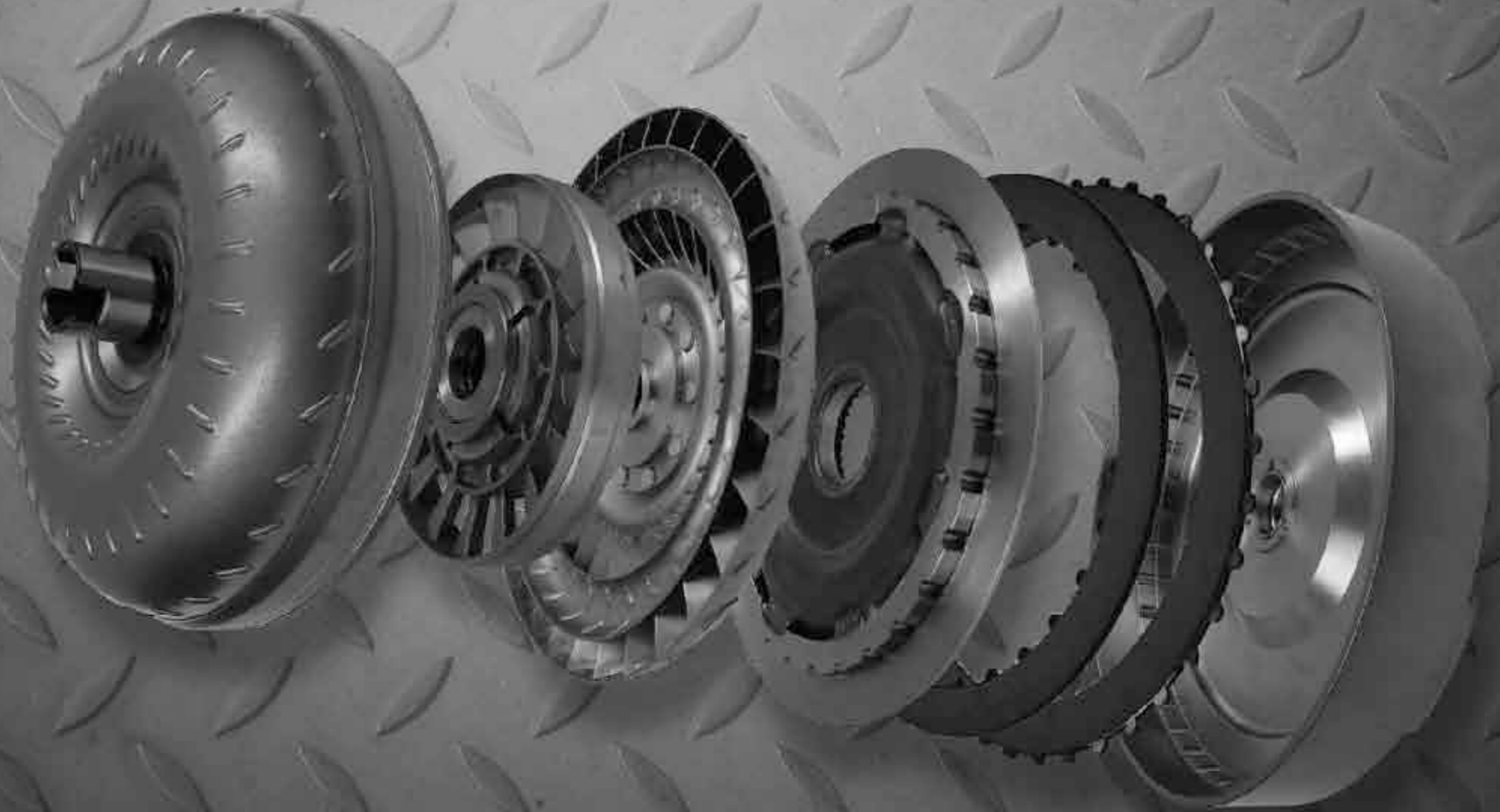
ILL	DESCRIPTION	QTY	YEAR	REFERENCE #	PART #	
HARD PARTS (CONTINUED)						
F106	Hub, front ring gear (bearing design)	E4OD/4R100	1	97-05	F7TZ-7B067-AB	10418
F106	Hub, front ring gear (washer design)	E4OD	1	89-96	E9TZ-7B067-A	10418-R
F108	Gear, front ring 4.516" od 78T	E4OD/4R100	1	89-05	F81Z-7D392-AA	10416
F108	Gear, front ring 4.516" od 78T	E4OD/4R100	1	89-05	F81Z-7D392-AA	10416-R
C111	Housing, overdrive/intermediate	E4OD/4R100 (will retro w/piston)	1	96-05	F6TZ-7G384-AA	10780
C111	Housing, overdrive/intermediate	E4OD/4R100 (will retro w/piston)	1	96-05	F6TZ-7G384-AA	10780-R
H115	Piston	E4OD/4R100 (intermediate servo)	1	89-05	F6TZ-7D021-A	10528
F120	Planetary, forward	E4OD/4R100 (4 pinion bearing design)	1	97-05	F7TZ-7A398-BA	10438A
F120	Planetary, forward	E4OD (4 pinion washer design)	1	89-96	E9TZ-7A398-A	10438A-R
F120	Planetary, forward (6 pinions)	E4OD/4R100	1	97-05	F81Z-7A398-CA	10438B
B121	Planetary, overdrive	E4OD (cast iron w/input shaft)	1	89-98	F4TZ-7B446-B	10439
B121	Planetary, overdrive (aluminum long)	E4OD	1	89-93	E9TZ-7B446-A	10439-R
B121	Planetary, overdrive (aluminum short)	E4OD	1	94-98	n/a	10439A-R
B121	Planetary, overdrive (steel)	4R100	1	99-05	n/a	10439B-R
F122	Planetary, rear 6 pinion 12T (steel)	E4OD	1	89-96	n/a	10447
F122	Planetary, rear	E4OD (specify 3/4 pinion 12T aluminum)	1	89-96	E9TZ-7D006-A	10447-R
F122	Planetary, rear	E4OD/4R100 (specify 3/4 pinion 24T alum)	1	97-05	F7TZ-7D006-BA	10447A-R
F122	Planetary, rear 6 pinion 24T (steel)	E4OD/4R100	1	97-05	n/a	10447B
F122	Planetary, rear 6 pinion 24T (steel)	E4OD/4R100	1	97-05	n/a	10447B-R
B123	Gear, ring	E4OD/4R100 (overdrive)	1	89-97	E9TZ-7A153-A	10440
B123	Gear, ring	E4OD/4R100 (overdrive)	1	89-97	E9TZ-7A153-A	10440-R
B123	Gear, ring	4R100 (overdrive)	1	98-05	F81Z-7A153-CA	10440A
B123	Gear, ring	4R100 (overdrive)	1	98-05	AE	10440A-R
B124	Race, sprag 4.015" id (dog type)	E4OD (overdrive outer)	1	89-94	AE	10431-R
B124	Race, sprag 4.090" id (spring/roller type)	E4OD/4R100 (overdrive outer)	1	89-97	F81Z-FG389-AA	10431A-R
B124	Race, sprag	4R100 (overdrive outer)	1	98-05	F81Z-FG389-AA	10431B
B124	Race, sprag	4R100 (overdrive outer)	1	98-05	AE	10431B-R
D126	Hub, center support	E4OD	1	89-94	E9TZ-7G033-A	10902
D126	Hub, center support	E4OD (w/overdrive shaft heavy duty)	1	89-94	F4TZ-7A130-B	10902X
E128	Housing, forward (4 clutch)	E4OD	1	89-05	E9TZ-7A380-A	10436
E128	Housing, forward (4 clutch)	E4OD	1	89-05	E9TZ-7A380-A	10436-R
A129	Housing, coast clutch (cast iron)	E4OD	1	89-97	E9TZ-7G387-A	10732
A129	Housing, coast clutch (stamped steel)	4R100	1	98-05	YC3Z-7G387-AA	10732A
A129	Housing, coast clutch (cast iron)	E4OD	1	89-97	AE	10732-R
A129	Housing, coast clutch (stamped steel)	4R100	1	98-05	AE	10732A-R
A129	Housing, coast clutch	4R100 (stamped steel w/PTO)	1	98-05	1C3Z-7G387-BA	10732B
A129	Housing, coast clutch	4R100 (stamped steel w/PTO)	1	98-05	AE	10732B-R
G130	Hub, low/reverse clutch	E4OD	1	89-97	F3TZ-7B067-A	36726-R
G130	Hub, low/reverse clutch (stamped steel)	4R100	1	98-05	F7TZ-7B067-CA	10726
G130	Hub, low/reverse clutch (stamped steel)	4R100	1	98-05	AE	10726-R
G131	Race, inner w/bearing 1.015" oh	E4OD (low sprag)	1	89-97	E9AZ-7D171-A	36429B
G131	Race, inner 3.385" od	4R100 (low sprag)	1	98-05	F7TZ-7D171-AA	10429
G131	Race, inner 3.385" od	4R100 (low sprag)	1	98-05	AE	10429-R
E133	Piston, forward clutch	lip seal type	1	89-05	B6AF-7A258-BA	36439-R
E135	Spring, diaphragm .094"	E4OD/4R100 (forward clutch)	1	89-05	D9AZ-7B070-A	36419A
G137	Retainer w/springs	E4OD (low/reverse clutch)	1	89-97	E6TZ-7D406-A	36725A-R
G137	Retainer w/springs	4R100 (low/reverse clutch)	1	97-05	F6TZ-7D406-A	10725-R
A139	Spring, diaphragm	E4OD (coast clutch)	1	89-97	D9TZ-7B070-C	10419-R
G138	Piston	E4OD (low/reverse clutch)	1	89-97	E9TZ-7D402-A	10727-R
A139	Spring, diaphragm	4R100 (coast clutch)	1	98-05	F81Z-7B070-AA	10419A-R
G138	Piston	4R100 (low/reverse clutch)	1	97-05	AE	10727A-R
C140	Spring, diaphragm	E4OD/4R100 (overdrive clutch)	1	89-05	D9TZ-7B070-A	10420-R
C141	Spring, diaphragm	E4OD/4R100 (intermediate clutch)	1	89-05	D9TZ-7B070-B	10421-R

E4OD•4R100

E4OD•4R100

ILL	DESCRIPTION		QTY	YEAR	REFERENCE #	PART #
HARD PARTS (CONTINUED)						
B142	Shaft, input 14 1/8" long (1st design)	E4OD/4R100	1	89-94	AE	10911-R
B142	Shaft, input 13 5/8" long (2nd design)	E4OD/4R100	1	95-05	AE	10912-R
D143	Race, outer	E4OD/4R100 (intermediate sprag)	1	89-05		10430-R
F145	Shell, drive (2nd design/input)	E4OD/4R100	1	89-05	YC3Z-7D064-AA	10728
F145	Shell, drive (input)	E4OD/4R100	1	89-97	E9TZ-7D064-A	10728-R
H155	Rod, park	E4OD/4R100	1	89-05	AE	10913-R
n/i	Plug	E4OD/4R100 (lube orifice)	1	97-05	F81Z-7E380-AA	096-95
n/i	Spring, detent	E4OD/4R100 (manual lever)	1	89-05	F2TZ-7E332-A	E9TZ-7E332-A
n/i	Spring	E4OD (lock-up/TCC anti-shudder)	1	89-97	ME-707	10935
n/i	Valve, line regulator (bag of 3)	E4OD/4R100 (accumulator)	1	89-05	E4-VL-LR3	10710
n/i	Linkage pin	E4OD/4R100 (case to shift linkage)	1	89-05	n/a	096-009
n/i	Spacer, center support to case	to prevent breakage of case	1	89-05	n/a	096-403
n/i	Bearing, ball 2" od 1" id .375" wide	E4OD (center support)	1	89-97	R-16	6203N
n/i	Bearing, ball 1.85" od 1.18" id .350" wide	4R100 (center support)	1	98-05	n/a	6906N
n/i	Kit, inter sprag changeover (ratchet type)	4R100 (w/inner and outer race w/washer)	1	00-01	n/a	K10503
ELECTRICAL COMPONENTS						
H164	Solenoid assembly	E4OD	1	89-94	E9TZ-7G391-A	5A-401
H164	Solenoid assembly	E4OD (exchange rebuilt)	1	89-94	AE	5A-401-R
H164	Solenoid assembly	E4OD/4R100	1	95-98	F81Z-76391-BA	5A-401A
H164	Solenoid assembly	E4OD/4R100 (exchange rebuilt)	1	95-98	AE	5A-401A-R
H164	Solenoid assembly	4R100 (PWM)	1	99-05	F81Z-7G391-CB	5A-401B
H164	Solenoid assembly	4R100 (exchange rebuilt)	1	99-05	AE	5A-401B-R
n/i	Harness repair kit	E4OD	1	89-94	TH-E4OD	16A-106
n/i	Harness repair kit	E4OD/4R100	1	95-05	TH-E4OD-L	16A-107
n/i	Sensor, manual lever position	E4OD (7-8 pins/MLPS)	1	89-96	F5TZ-7A247-A	05-110
n/i	Sensor, digital transmission range	E4OD/4R100 (12 pins/DTRS)	1	97-05	F7TZ-7F293-AA	05-110A
n/i	Sensor (37mm long)	4R100 (input/output speed w/o PTO)	1	98-05	F81Z-7M101-AA	05-111
n/i	Sensor	4R100 (input/short w/PTO)	1	98-00	F81Z-7M101-BA	05-111A
n/i	Sensor	Expedition/Navigator 97-99 F150/250 99-02	1	99-02	E9TZ-9E731-A	05-203
n/i	Sensor	vehicle speed sensor/VSS on rear axle	1	98-05	F85Z-2L373-AC	05-115
n/i	Harness, external repair kit	E4OD/4R100 (vehicle speed sensor/VSS)	1	89-05	F2PZ-14A464-A	16A-154
n/i	Indicator, shift w/cable	4R100	1	98-03	F8UZ-7A110-AB	16A-275
SPRAGS						
B172	Sprag 34 elements	E4OD (overdrive)	1	89-96	E9AZ-7A089-A	10502
B172	Roller clutch .580" w (12 rollers)	E4OD (overdrive)	1	96-98	F81Z-7A089-AA	10502A
B172	Sprag 3.330" od (12 rollers)	4R100 (overdrive)	1	98-05	EL3Z-7A089-AA	10502B
D173	Sprag 24 elements	E4OD (intermediate)	1	89-94	E9AZ-7A089-B	10503
D173	Sprag 34 elements (heavy duty)	E4OD/4R100 (intermediate)	1	89-05	E9TP-7F271-AB	10503A
G174	Sprag (16 rollers)	E4OD (low)	1	89-97	F3TZ-7A089-A	K36960
G174	Sprag (17 rollers)	E4OD/4R100 (low)	1	97-05	F7TZ-7A089-AA	K10960
B176	Sprag	E4OD/4R100 (overdrive)	1	89-96	F5TZ-7A089-A	K10502
BONDED PISTONS						
A109	Piston, bonded rubber	4R100 (coast clutch)	1	98-05	F81Z-7A262-AA	10530
C110	Piston, bonded rubber	E4OD (overdrive clutch will retro w/hsg)	1	96-05	F6TZ-71262-AA	10531
NOTES						

MULTI-CLUTCH BILLET CONVERTERS



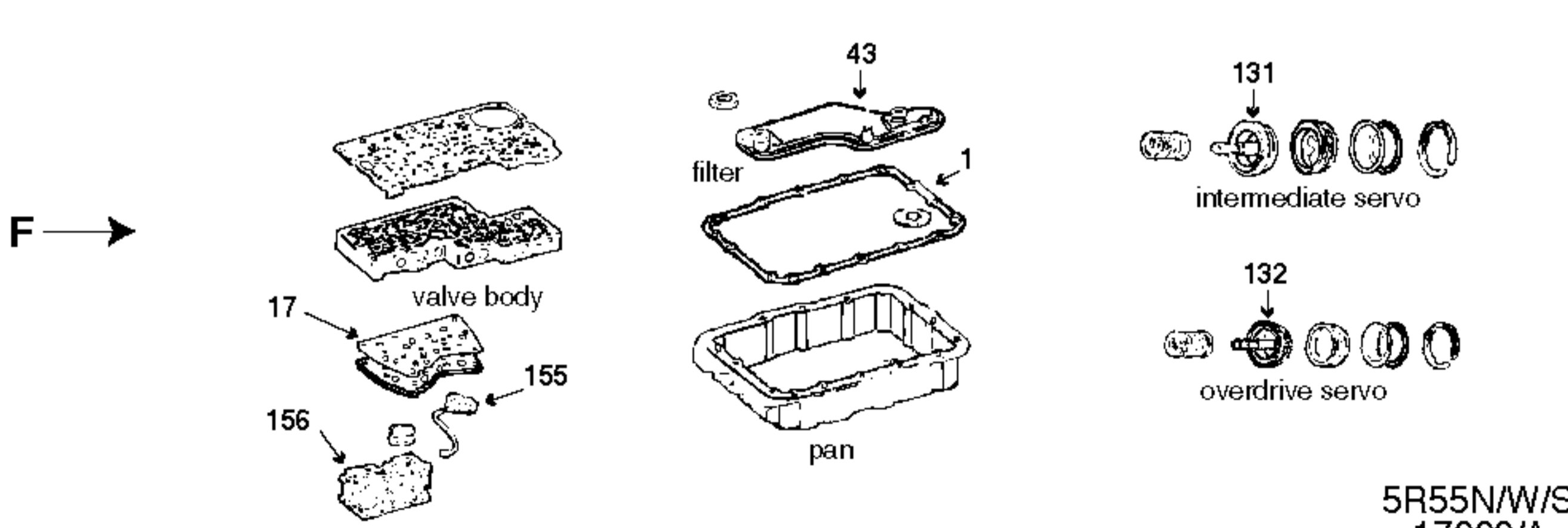
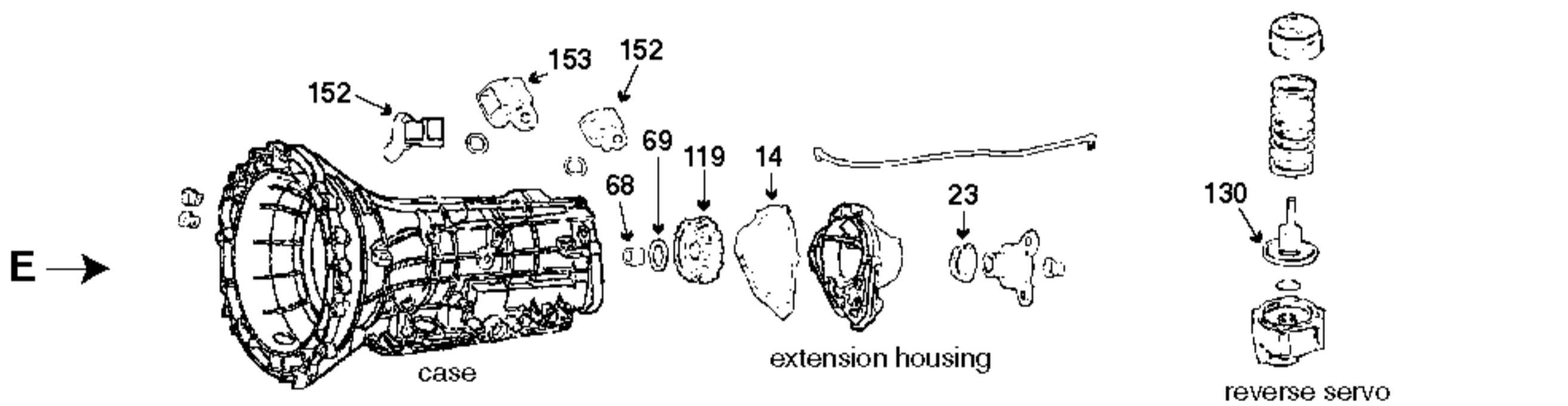
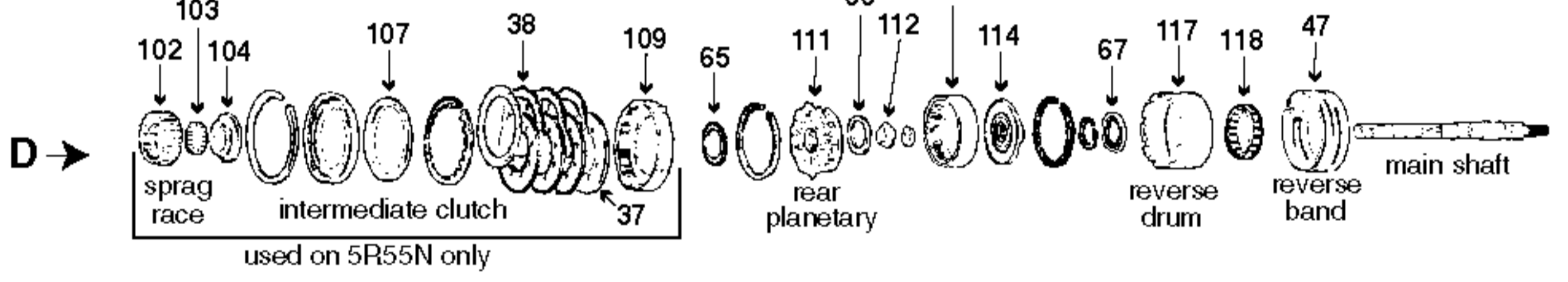
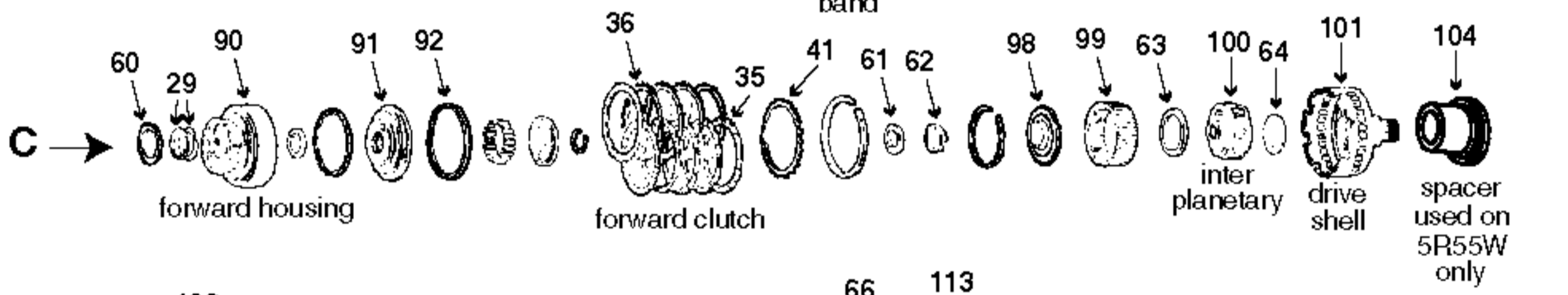
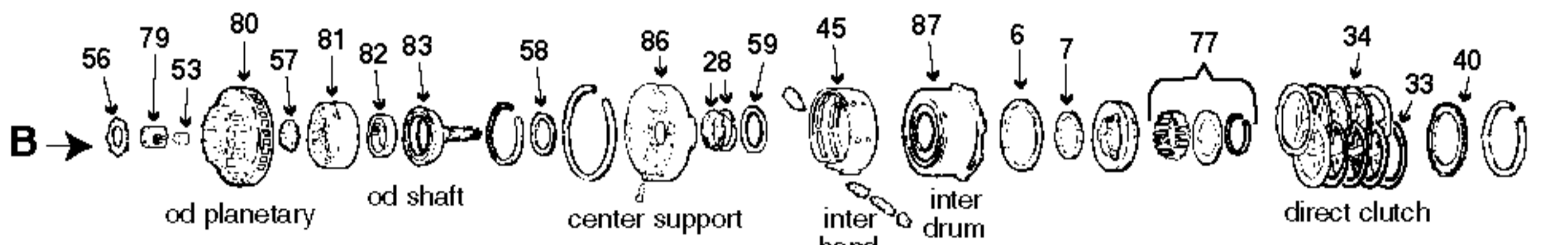
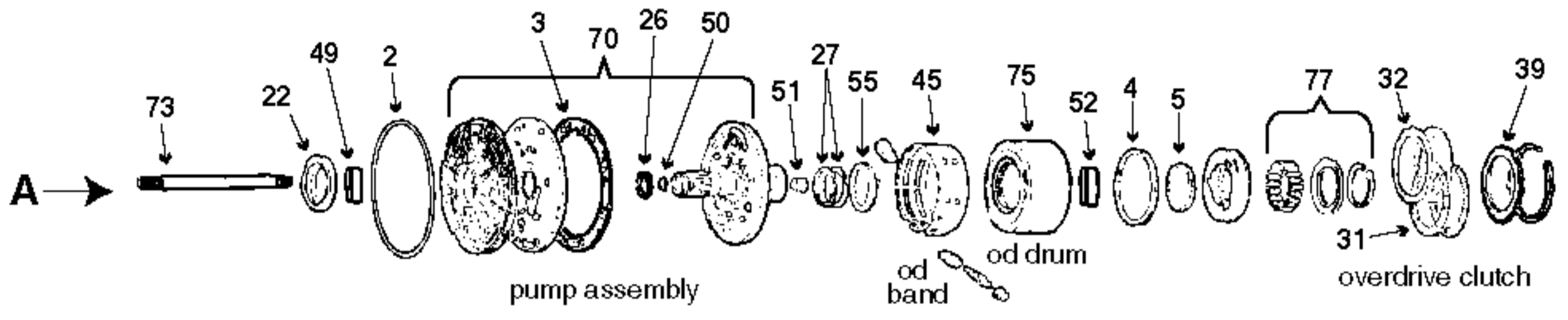
Heavy duty applications available for GM, Dodge, and Ford Trucks.

CUSTOMER DRIVEN
QUALITY FOCUSED
EMPLOYEE POWERED

DACCO
TRANSMISSION PARTS

Check out our website at:
www.daccoinc.com

 facebook.com/DACCOTrans



5R55N/W/S
17000/A

ILL	DESCRIPTION	QTY	YEAR	REFERENCE #	PART #
TECHNICAL MANUALS					
K53	Tech manual 5R55N dis/assembly	1	99-02	5R55N-TM	010-224
K53	Tech manual 5R55S/W dis/assembly	1	02-06	5R55W/S-TM	010-225
REBUILDER KITS					
K4	Master deluxe rebuild kit	1	99-02	AE	K1700-R
K4	Master deluxe rebuild kit	1	02-10	AE	K1700A-R
K5	Master kit w/steels	1	99-02	AE	K1700
K5	Master kit w/steels	1	02-10	AE	K1700A
K6	Master kit w/o steels	1	99-02	AE	K1700-LS
K6	Master kit w/o steels	1	02-10	AE	K1700A-LS
K7	O/H gasket set w/seals-rings	1	99-02	AE	K17900
K7	O/H gasket set w/seals-rings	1	02-10	AE	K17900A
VALVE BODY KITS					
K15	Shift Kit®	1	99-04	SK® 5R55W	K17908
K15	Reprogramming Kit™ fix won't move	1	02-07	5R55W-HD2	5R55W-HD2
GASKETS AND RUBBER COMPONENTS					
F1	Gasket, oil pan	1	99-10	XW4Z-7A191-CA	13005R
A2	Seal, lathe cut	1	99-10	XW4Z-7A248-AA	13941
A3	Gasket	1	99-10	XW4Z-7A136-AA	13942
A4	Lip seal	1	99-10	D4ZZ-7D404-A	13713
A5	Lip seal	1	99-10	F0TZ-7A548-A	13714B
B6	Lip seal	1	99-10	D4ZZ-7D404-A	13713
B7	Lip seal	1	99-10	F0TZ-7A548-A	13714B
E14	Gasket	1	99-10	XW4Z-7086-AA	13943
F17	Gasket, valve body	1	99-02	XW4Z-7H173-AA	13944
C92	Rubber cushion	1	99-02	XW4Z-7B070-AA	17531
n/i	Gasket, valve body	1	99-02	XW4P-7D100-BE	13945
n/i	Gasket, valve body	1	99-02	XW4P-7D100-AF	13946
n/i	Gasket, valve body	1	02-10	3W4Z-7Z490-AA	13945A
n/i	Gasket, valve body	1	02-10	3W4Z-7Z490-AA	13946A
n/i	Gasket (w/screens)	1	99-02	n/a	13947
n/i	Gasket (w/screens)	1	02-10	n/a	13951
n/i	Gasket, valve body (bonded not in kit)	1	99-02	XW4Z-7Z490-AD	13948
n/i	Gasket, valve body (bonded not in kit)	1	04-10	4L2Z-7Z490-AA	13949
n/i	O'ring	1	99-10	W701431-S300	13725
n/i	Seal (w/spring)	1	99-02	XW4Z-7H003-CB	17697
n/i	Gasket	1	02-10	4L2Z-2086-AA	13597
n/i	Washer (rubber coated)	8	02-10	B31564	13268D
METAL CLAD SEALS					
A22	Seal, metal clad (rubber coated)	1	99-10	F77Z-7A248-AA	27601C
E23	Seal, metal clad	1	99-02	XW4Z-7052-AA	17695
E23	Seal, metal clad	1	02-10	F6UZ-7052-A	17694
n/i	Seal, metal clad	1	02-10	1L2Z-7052-BA	17696
n/i	Seal, metal clad	1	99-10	D5AZ-7B498-A	6507A
SEALING RINGS					
K10	Kit, sealing ring	1	99-10	AE	K17901
A26	Ring, sealing (teflon/butt cut)	1	99-10	IL2Z-7L323-AA	27230AT
A27	Ring, sealing (teflon)	2	99-10	E5TZ-7D025-A	27229T
B28	Ring, sealing (plastic)	2	99-10	B21467	27228A
C29	Ring, sealing (brass)	2	99-10	n/a	27227A
C29	Ring, sealing (plastic)	2	99-10	B21899	27227B
n/i	Ring, sealing (teflon)	1	99-10	XW4Z-7D019-BA	17229T

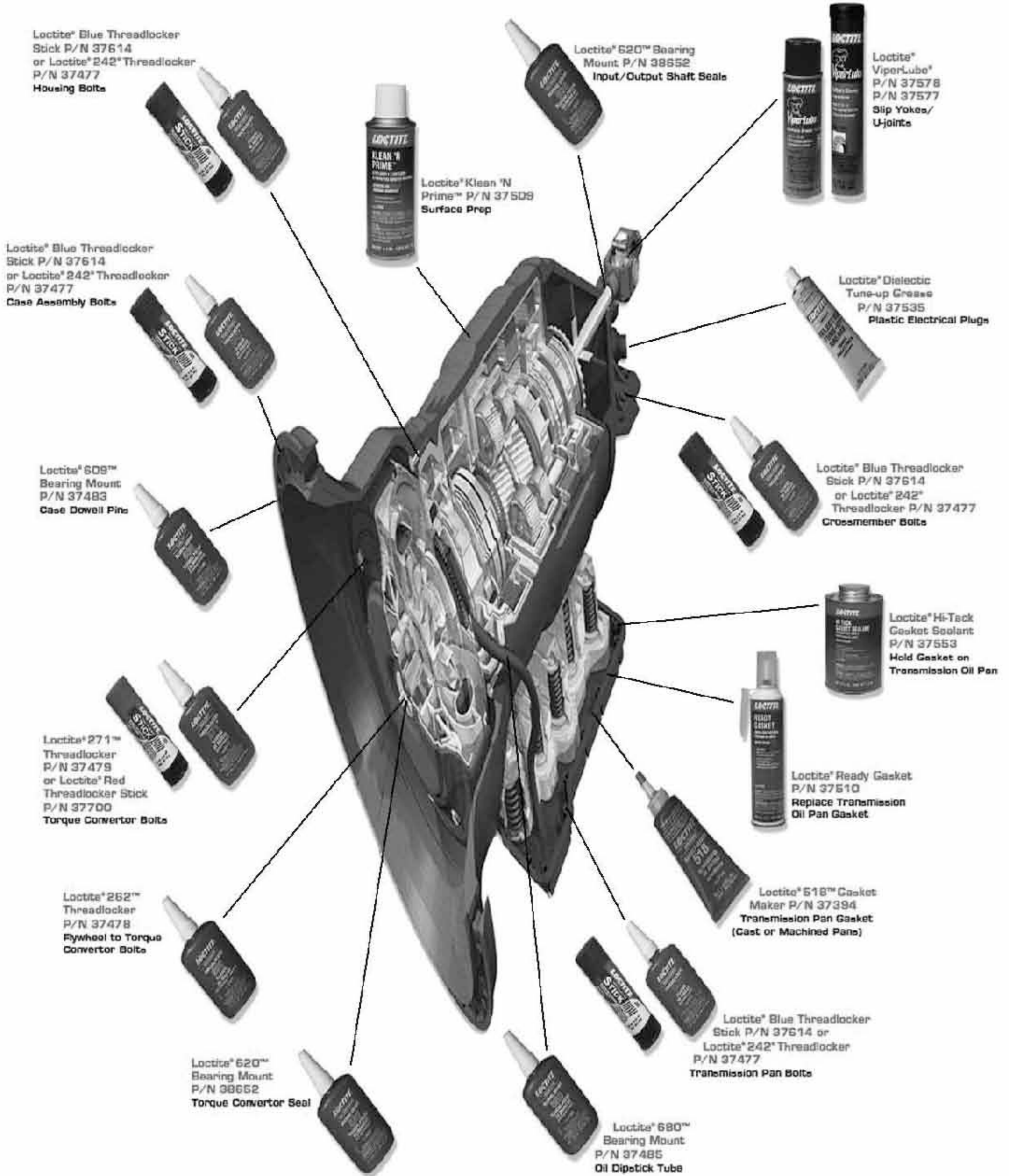
ILL	DESCRIPTION		QTY	YEAR	REFERENCE #	PART #
CLUTCH PLATES						
A31	Friction .069" 4.891" od 16T (directional)	od/coast clutch (helical groove)	2	99-10	F7ZZ-7B164-CA	27504D
A32	Steel .065" 3.969" id 20T	overdrive/coast clutch	2	99-10	F0TZ-7B442-B	27305B
B33	Friction .081" 4.893" od 48T	direct clutch (1 sided w/internal teeth)	4/5	99-10	XW4Z-7B164-BA	17304
B34	Friction .081" 3.970" id 20T	direct clutch (1 sided w/external teeth)	4/5	99-10	XW4Z-7B442-BA	17305
C35	Friction .068" 5.231" od 89T	forward clutch	5	99-10	XW4Z-7B164-AA	17306
C36	Steel .067" 4.638" id 27T	forward clutch	5	99-10	XW4Z-7B442-AB	17307
D37	Friction .096" 5.708" od 24T	inter clutch (1 sided w/internal teeth)	3/4	99-10	XW4Z-7B164-CA	17310
D38	Friction .096" 4.323" id 33T	inter clutch (1 sided w/external teeth)	3/4	99-10	XW4Z-7B442-CA	17311
PRESSURE PLATES						
A39	Pressure plate .199" 20T	overdrive/coast clutch	1	99-10	F0TZ-7B066-B	27307B-R
B40	Pressure plate .199" 20T	direct clutch	1	99-10	F0TZ-7B066-B	27307B-R
C41	Pressure plate .154" 27T	forward clutch	1	99-10	XW4Z-7B066-B	17309-R
FILTERS						
K9	Kit, filter	5R55N	1	99-02	AE	FK17800
K9	Kit, filter	5R55W	1	02-03	AE	FK17800A
K9	Kit, filter	5R55S	1	03-10	AE	FK17800B
F43	Filter .300" pickup tube length	5R55N	1	99-02	XW4Z-7A098-BB	17800
F43	Filter 2.400" pickup tube length	5R55W	1	02-03	1L2Z-7A098-AC	17800A
F43	Filter 1.300" pickup tube length	5R55S	1	03-10	1L2Z-7A098-AC	17800B
BANDS						
A45	Band (flex)	5R55N (overdrive)	1	99-02	XW4Z-7D034-BA	17320
A45	Band (high energy)	5R55W/S (overdrive)	1	02-10	1L2Z-7D034-AA	17320A
B45	Band (flex)	5R55N (intermediate)	1	99-02	XW4Z-7D034-BA	17320
B45	Band (high energy)	5R55W/S (intermediate)	1	02-10	1L2Z-7D034-AA	17320A
D47	Band (double wrap)	5R55N/W/S (low/reverse)	1	99-10	XW4Z-7D095-AA	17520
n/i	Nut, band adjusting (w/seal)	5R55N/W/S	2	99-10	W705582-S300	26610
BUSHINGS						
K13	Kit, bushing	5R55N/W/S	1	99-10	AE	K17905
A49	Bushing (bronze)	5R55N/W/S (pump cover)	1	99-10	n/a	27001A
A49	Bushing (babbitt)	5R55N/W/S (pump cover)	1	99-10	n/a	27001B
A50	Bushing	5R55N/W/S (pump/stator front)	1	99-10	n/a	27009
A51	Bushing	5R55N/W/S (pump/stator rear)	1	99-10	n/a	27000A
A52	Bushing	5R55N/W/S (overdrive/coast)	1	99-10	90DT-7D046-AA	27002
B53	Bushing	5R55N/W/S (overdrive sun gear)	1	99-10	n/a	27000
WASHERS/BEARINGS/RACES/SHIMS						
K12	Kit, thrust bearing	5R55N/W/S	1	99-10	AE	K17906
K14	Kit, thrust washer	5R55N/W/S	1	99-10	AE	K17951
A55	Thrust washer .069"	5R55N/W/S (pump to overdrive drum)	sel	99-10	XW4Z-7D014-XA	17209A
A55	Thrust washer .075"	5R55N/W/S (pump to overdrive drum)	sel	99-10	XW4Z-7D014-NA	17209B
A55	Thrust washer .082"	5R55N/W/S (pump to overdrive drum)	sel	99-10	XW4Z-7D014-RA	17209C
A55	Thrust washer .089"	5R55N/W/S (pump to overdrive drum)	sel	99-10	XW4Z-7D014-YA	17209D
A55	Thrust washer .096"	5R55N/W/S (pump to overdrive drum)	sel	99-10	XW4Z-7D014-ZA	17209E
B56	Washer .420" 24T (8 lugs)	overdrive drum to overdrive sun gear	1	99-02	XW4Z-7660-AA	17227
B56	Washer .295" 24T (8 lugs)	overdrive drum to overdrive sun gear	1	02-10	YW4Z-7660-AA	17228
B56	Washer .312" 38T (8 lugs)	overdrive drum to overdrive sun gear	1	02-10	2L2P-7660-AB	17228A
B57	Bearing, thrust (flat/open faced)	od planetary to overdrive shaft/hub	1	99-10	E5TZ-7L495-A	27222
B58	Bearing, thrust	overdrive shaft/hub to center support	1	99-10	F77Z-7M153-EB	17220
B59	Bearing, thrust .110"	center support to direct drum	sel	99-10	XW4Z-7D014-CA	17221
C60	Bearing, thrust	direct drum to forward drum	1	99-10	F77Z-7M153-EB	17220
C61	Bearing, thrust	forward hub/planetary to forward drum	1	99-01	F0TZ-7D090-A	27235
C61	Bearing, thrust	forward hub/planetary to forward drum	1	02-10	1L2Z-7D234-AA	27235A
C62	Thrust washer (cup type)	bearing to forward planetary/hub	1	99-10	F0TZ-7D090-A	27011A
C63	Bearing, thrust	forward hub to forward planetary	1	99-10	XW4Z-7F374-AA	17223

ILL	DESCRIPTION	QTY	YEAR	REFERENCE #	PART #	
WASHERS/BEARINGS/RACES/SHIMS (CONTINUED)						
C64	Thrust washer	fwd planetary to drive shell w/sun gear	1	99-10	n/a	17219
D65	Bearing, thrust	low/reverse spacer to rear planetary	1	02-10	F77Z-7M153-EB	17220
D65	Bearing, thrust	low/reverse spacer to rear planetary	1	99-02	F77Z-7M153-EB	17220
D66	Bearing, thrust	5R55N/W/S (rear planetary to rear hub)	1	99-10	F77Z-7M153-EB	17220
D67	Bearing, thrust	5R55N/W/S (rear hub to case)	1	99-10	F3RZ-7H027-A	17224
E68	Bearing, caged needle	5R55N/W (rear case to output shaft)	1	99-02	F77Z-7R205-AA	17222
E69	Thrust washer	5R55N (park gear to case)	1	99-02	XW4Z-7B368-AA	17225
E69	Thrust washer	5R55W/S (park gear to case)	1	02-10	1L2Z-7B368-AA	17226
PUMP PARTS AND PUMPS						
A70	Pump assembly	5R55N	1	99-01	YW4Z-7A103-AA	17200-R
A70	Pump assembly	5R55W/S	1	02-10	3W4Z-7A103-AA	17200A-R
HARD PARTS						
A73	Shaft	5R55N (input)	1	99-02	n/a	27411D-R
A73	Shaft 10 1/4"	5R55W/S (input)	1	02-10	XW4Z-7017-AA	17411-R
A75	Drum, overdrive/coast clutch	5R55N	1	99-02	XW4Z-7L669-AA	17420-R
A75	Drum, overdrive/coast clutch	5R55W/S	1	02-10	YW4P-7L669-AA	17421-R
A77	Set, retainer w/springs	5R55N/W/S (overdrive/coast)	1	99-10	n/a	K27301
B77	Set, retainer w/springs	5R55N/W/S (direct clutch)	1	99-10	n/a	K27301
B79	Gear, sun 24T	5R55N (overdrive)	1	99-02	F7RZ-7D063-AA	27728D-R
B79	Gear, sun 38T	5R55W/S (overdrive)	1	02-10	2L2Z-7D063-AA	17728
B79	Gear, sun 38T	5R55W/S (overdrive)	1	02-10	AE	17728-R
B80	Planetary 25T pinion	5R55N (overdrive)	1	99-02	XW4Z-7B446-BA	17413
B80	Planetary 25T pinion (exchange)	5R55N (overdrive)	1	99-02	XW4Z-7B446-BA	17413-R
B80	Planetary 28T pinion	5R55W/S (overdrive)	1	02-10	2L2Z-7B446-AA	17413A
B80	Planetary 28T pinion (exchange)	5R55W/S (overdrive)	1	02-10	AE	17413A-R
B81	Gear, ring 72T	5R55N (overdrive)	1	99-02	AE	27449-R
B81	Gear, ring 94T	5R55W/S (overdrive)	1	00-10	2L2Z-7B446-AA	17449-R
B83	Shaft/hub 72T	5R55N (overdrive)	1	99-02	AE	17450-R
B83	Shaft/hub 94T	5R55W/S (overdrive)	1	02-10	AE	17450A-R
B86	Support, center	5R55N/W/S	1	99-10	XW4Z-7A130-DA	17454-R
B87	Drum, direct (4 clutch)	5R55N	1	99-02	XW4Z-7D044-AB	17460-R
B87	Drum, direct (5 clutch)	5R55W/S	1	02-10	1L2Z-7D044-CA	17460A-R
C90	Drum, forward clutch	5R55N/W/S	1	99-10	1L2P-7A511-AA	17465-R
C98	Hub, forward planetary	5R55N	1	99-02	AE	17452-R
C98	Hub, forward planetary	5R55W/S	1	02-10	AE	17453-R
C99	Gear, ring 85T	5R55N (forward planetary)	1	99-02	YW4Z-7D392-AA	17455-R
C99	Gear, ring 101T	5R55W/S (forward planetary)	1	02-10	AE	17456-R
C100	Planetary 6 pinion 19T	5R55N (forward)(exchange)	1	99-02	YW4Z-7A398-AA	17457-R
C100	Planetary 6 pinion 23T	5R55W/S (forward)(exchange)	1	02-10	1L2Z-7A398-FA	17458-R
C101	Drive shell w/sun gear 47T 27T	5R55N	1	99-02	AE	17459-R
C101	Drive shell w/sun gear 55T 27T	5R55W/S	1	02-10	AE	17461-R
D102	Race, outer sprag	5R55N (only)(intermediate)	1	99-02	XW4Z-7H324-BC	17469-R
D104	Spacer	5R55N (low/reverse)	1	99-02	XW4Z-7C167-AA	17480-R
D104	Spacer	5R55W/S (low/reverse)	1	02-10	AE	17481-R
D109	Housing, intermediate clutch	5R55N	1	99-02	XW4Z-7F340-AA	17470-R
D111	Planetary 5 pinion 28T	5R55N/W/S (rear)(exchange)	1	99-10	1L2Z-7D066-BA	17475-R
D112	Oil lube dam	5R55N/W/S (rear/output hub)	1	99-10	XW4Z-7B176-AA	17025
D113	Gear, ring	5R55N/W/S (rear/output)	1	99-10	XW4Z-7A153-AA	17477-R
D114	Hub, rear (output)	5R55N/W/S	1	99-10	XW4Z-7D164-BA	17476-R
D117	Drum, low/reverse (w/sprag)	5R55N/W/S	1	99-10	XW4Z-7C498-AA	K17503
E119	Gear, park (w/reductor wheel)	5R55N	1	99-02	XW4Z-7B368-AA	17478-R
E119	Gear, park (w/reductor wheel)	5R55W/S	1	02-10	AE	17479-R
n/i	Kit, drain plug	5R55W/S (pan)	1	02-10	6L2Z-7A010-AA	17710

LOCTITE®

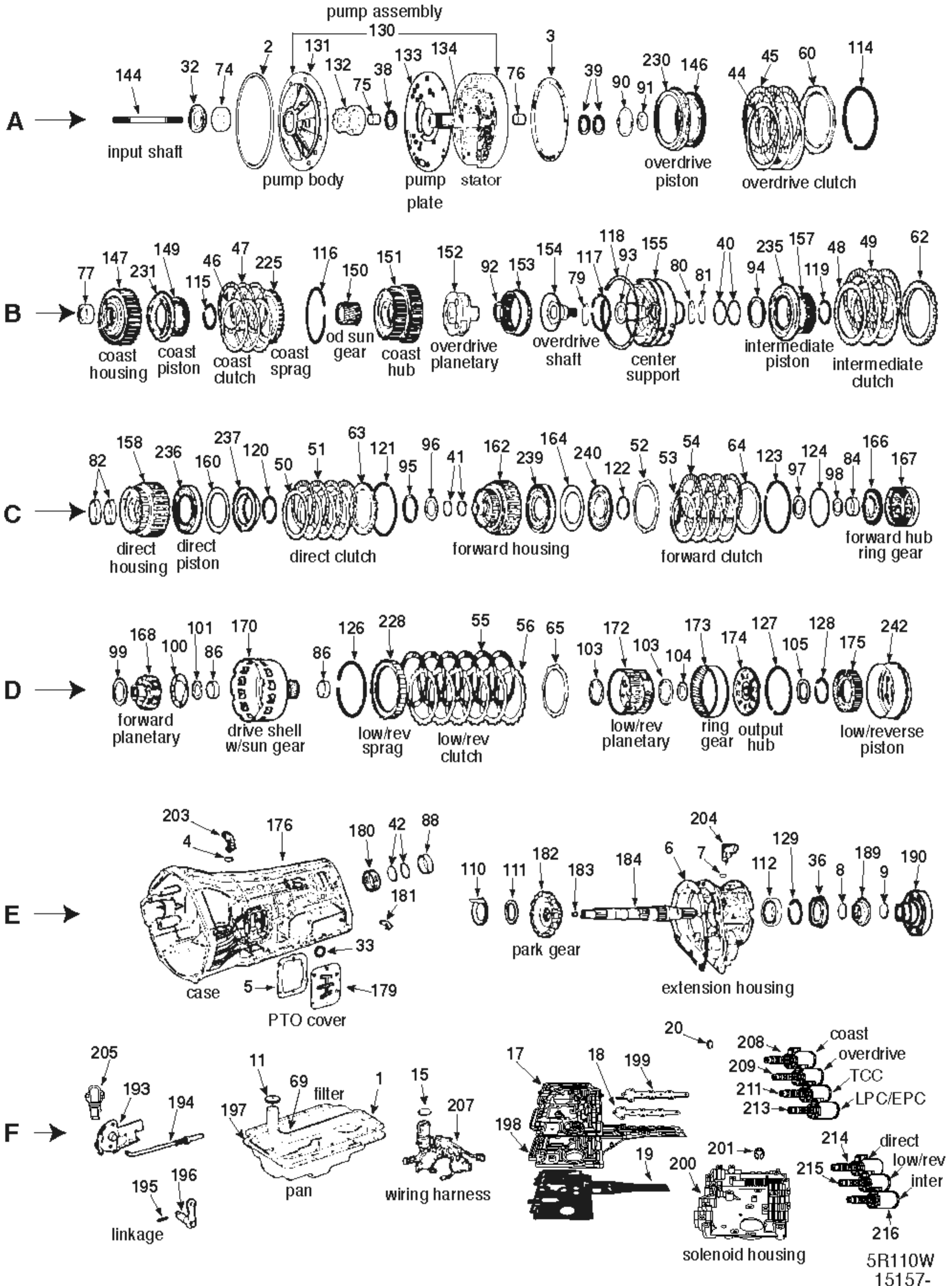
TRANSMISSION APPLICATIONS

LOCTITE



5R110W (TorqShift)

5R110W (TorqShift)



ILL	DESCRIPTION	QTY	YEAR	REFERENCE #	PART #
TECHNICAL MANUALS					
K53	Tech manual 5R110W dis/assembly	1	03-07	5R110W-TM	010-226
REBUILDER KITS					
K4	Master deluxe rebuilding kit	1	03-04	AE	15157-10004
K4	Master deluxe rebuilding kit	1	03-04	AE	15157-10104
K4	Master deluxe rebuilding kit	1	05-07	AE	15157-10014
K4	Master deluxe rebuilding kit	1	05-07	AE	15157-10114
K4	Master deluxe rebuilding kit	1	08-11	AE	15157-10024
K4	Master deluxe rebuilding kit	1	08-11	AE	15157-10124
K5	Master kit w/steels	1	03-04	AE	15157-11004
K5	Master kit w/steels	1	03-04	AE	15157-11104
K5	Master kit w/steels	1	05-07	AE	15157-11014
K5	Master kit w/steels	1	05-07	AE	15157-11114
K5	Master kit w/steels	1	08-11	AE	15157-11024
K5	Master kit w/steels	1	08-11	AE	15157-11124
K6	Master kit w/o steels	1	03-04	AE	15157-12004
K6	Master kit w/o steels	1	03-04	AE	15157-12104
K6	Master kit w/o steels	1	05-07	AE	15157-12014
K6	Master kit w/o steels	1	05-07	AE	15157-12114
K6	Master kit w/o steels	1	08-11	AE	15157-12024
K6	Master kit w/o steels	1	08-11	AE	15157-12124
K7	O/H gasket set w/seals-rings	1	03-11	AE	15157-13004
K7	O/H gasket set w/seals-rings	1	03-11	AE	15157-13104
K8	External seal kit	1	03-11	AE	15157-14004
K11	Gasket and seal kit	1	03-11	AE	15157-15004
VALVE BODY KITS					
K15	Shift Kit® (reduces case breakage)	1	03-07	SK® 5R110W	15157-17009
K15	Reprogramming Kit™	1	03-07	5R110W-HD2	5R110W-HD2
K15	Kit, repair plug (w/O'rings)	1	03-08	TNS-5R1-PLUG-PS	15157-17509
GASKETS AND RUBBER COMPONENTS					
F1	Gasket, oil pan	1	03-11	F6TZ-7A191-A	13996E
A2	Seal, lathe cut	1	03-11	E9TZ-7A248-A	13266E
A3	Gasket	1	03-11	3C3Z-7A136-AA	15157-28100
E4	O'ring	1	03-11	3C3Z-7Z101-AA	15157-21200
E5	Gasket	1	03-11	n/a	15157-28300
E6	Gasket	1	03-11	3C3Z-7A086-AA	15157-28500
E7	O'ring	1	03-11	3C3Z-31042-X	1021
E8	O'ring	1	03-11	n/a	15157-21500
E9	O'ring	1	03-11	3C3Z-7J030-BA	23053
F11	Multi lip seal	1	03-11	E7DZ-7Z302-AA	15157-21700
F15	O'ring	1	03-11	3C3Z-7Z276-AA	15157-21800
F17	Gasket (w/filter screen assembly)	1	03-11	3C3Z-7H200-AA	15157-28700
F18	Gasket (solenoid to case)	1	03-11	3C3Z-7H038-AA	15157-28900
F19	Gasket	1	03-11	8C3Z-7C155-A	15157-29000
F20	O'ring	1	03-11	C3Z3-7Z101-BA	23071
n/i	O'ring	1	03-11	3C3P-7J126-AA	15157-22100
n/i	O'ring	1	03-11	391308-S	15157-22500
n/i	Washer (rubber coated)	9	03-11	B31564	13268D
n/i	Washer 1/2" id (rubber coated)	2	03-11	391933-S100	13268E
n/i	Washer 11/16" id (rubber coated)	2	03-11	391932-S100	13268F

5R110W (TorqShift)

5R110W (TorqShift)

ILL	DESCRIPTION		QTY	YEAR	REFERENCE #	PART #
METAL CLAD SEALS						
A32	Seal, metal clad	front	1	03-11	3C3Z-7A248-AA	15157-30104
E33	Seal, metal clad	manual lever shaft	1	03-11	D5AZ-7B498-A	6507A
E36	Seal, metal clad	extension housing (2Wd)	1	03-11	3C3Z-7A052-CA	15157-30304
E36	Seal, metal clad	extension housing (4WD not in kits)	1	03-11	3C3Z-7A052-BA	15157-30604
SEALING RINGS						
K10	Kit, sealing ring		1	03-11	3480	15157-31504
A38	Ring, sealing (teflon)	stator shaft (front lock-up/TCC)	1	03-11	F7TZ-7L323-AA	10230T
A39	Ring, sealing (teflon)	coast clutch (stator shaft rear)	2	03-11	F7TZ-7G402-AA	10400T
B40	Ring, sealing (plastic)	center support to direct clutch	2	03-11	3C3Z-7D025-AA	15157-33200
C41	Ring, sealing (plastic)	forward housing to center support	2	03-11	3C3Z-7D019-BA	15157-33500
E42	Ring, sealing (plastic)	output shaft to case sleeve	2	03-11	3C3Z-7D019-AB	15157-33700
CLUTCH PLATES						
A44	Steel .078" 7.467" id 6T	overdrive clutch	3	03-11	3C3Z-7B442-AA	15157-37604
A45	Friction .078" 8.691" od 32T	overdrive clutch (can use 10108A)	3	03-11	3C3Z-7B164-AA	15157-35204
B46	Steel .078" 5.580" id 32T	coast clutch	3	03-11	3C3Z-7B442-EA	15157-37904
B47	Friction .078" 6.596" od 59T	coast clutch	3	03-11	3C3Z-7B164-FA	15157-35504
B48	Steel .125" 6.500" id 26T	intermediate clutch	3/4	03-04	3C3Z-7B442-BA	15157-38104
B48	Steel .116" 6.500" id 26T	intermediate clutch	3/4	05-11	166709-295	15157-38114
B49	Friction .078" 7.795" od 24T	intermediate clutch	3/4	03-04	3C3Z-7B164-EA	15157-35704
B49	Friction .076" 7.795" od 96T	intermediate clutch	3/4	05-11	5C3Z-7B164AA	15157-35714
C50	Steel .080" 5.120" id 28T	direct clutch	4	03-11	3C3Z-7B442-CA	15157-38604
C51	Friction .078" 6.266" od 48T	direct clutch	4	03-11	3C3Z-7B164-DA	15157-36104
C52	Steel, waved	forward clutch (cushion)	1	05-11	AE	15157-76204
C52	Steel, waved	forward clutch (cushion)	1	05-11	AE	15157-76203
C53	Steel .080" 5.120" id 28T	forward clutch	4	03-04	3C3Z-7B442-CA	15157-38604
C53	Steel .080" 5.380" id 28T	forward clutch	4	05-11	5C3Z-7B442-BB	15157-38614
C54	Friction .078" 6.358" od 90T	forward clutch	4	03-04	3C3Z-7B164-BA	15157-36204
C54	Friction .078" 6.379" od 76T	forward clutch	4	05-11	5C3Z-7B164-BA	15157-36214
D55	Steel .068" 5.800" id 18T	low/reverse clutch	6	03-11	3C3Z-7B442-DA	36505
D56	Friction .075" 6.796" od 72T	low/reverse clutch	6	03-11	3C3Z-7B164-CA	36504A
PRESSURE PLATES						
A60	Pressure plate .320" 6T	overdrive clutch	1	03-11	F3TZ7B066-A	10305A-R
B62	Pressure plate .547"	intermediate clutch	1	03-11	AE	15157-41203
B62	Pressure plate .526"	intermediate clutch	1	03-11	AE	15157-41303
C63	Pressure plate	direct clutch	1	03-11	AE	15157-42003
C64	Pressure plate	forward clutch	1	03-04	AE	15157-42003
C64	Pressure plate	forward clutch	1	05-11	AE	15157-42013
D65	Pressure plate (apply)	low/reverse clutch	1	08-11	AE	15157-42103
A225	Pressure plate (used mechanical diode)	coast clutch	1	03-11	AE	15157-94003
A225	Pressure plate (new mechanical diode)	coast clutch	1	03-11	3C3Z-7A089-BA	15157-94000
D228	PP (used mechanical diode w/dimple)	low/reverse clutch	1	03-11	AE	15157-94503
D228	PP (new mechanical diode w/dimple)	low/reverse clutch	1	03-11	3C3Z-7A089-AB	15157-94500
FILTERS						
K9	Kit, filter	elasomeric	1	03-07	AE	15157-44604
K9	Kit, filter	elasomeric	1	08-11	AE	15157-44614
F69	Filter	5R110W	1	03-07	3C3Z-7A098-AA	15157-45104
F69	Filter	5R110W	1	08-11	8C3Z-7A098-D	15157-45114
n/i	Filter (external)	in-line cartridge	1	03-07	3C3Z-7B155-BA	15157-46004
n/i	Filter (external)	in-line cartridge (roll type)	1	03-07	n/a	15157-46104
n/i	Filter (external)	metal canister	1	07-11	7C3Z-7B155-B	15157-46204

ILL	DESCRIPTION	QTY	YEAR	REFERENCE #	PART #	
BUSHINGS						
K12	Kit, bushing	5R110W	1	03-11	SAP-46830	15157-50000
A74	Bushing (babbitt)	pump body	1	03-11	C6AZ-7B258-A	36002A
A74	Bushing (bronze)	pump body	1	03-11	C6AZ-7B258-A	36002
A75	Bushing (bronze)	stator shaft (front)	1	03-11	C6AZ-7B261-C	36000A
A76	Bushing	stator shaft (rear)	1	03-11	C6AZ-7D018-A	36001A
B77	Bushing	coast clutch housing	1	03-11	n/a	15157-50800
B79	Bushing	center support (front)	1	03-11	n/a	15157-51000
B80	Bushing	center support (middle)	1	03-11	n/a	15157-50800
B81	Bushing	center support (rear)	1	03-11	n/a	15157-51000
C82	Bushing	direct clutch housing (front/rear)	2	03-11	n/a	15157-51500
C84	Bushing	forward hub	1	03-11	n/a	15157-51800
D86	Bushing	sun gear (front/rear)	2	03-11	C6AZ-7D065-A	36005
E88	Bushing	case	1	03-11	n/a	15157-52100
WASHERS/BEARINGS/RACES/SHIMS						
K13	Kit, thrust washer	5R110W	1	03-11	AE	15157-54500
K12	Kit, thrust bearing	5R110W	1	03-11	AE	15157-55100
A90	Thrust washer (metal) .055"	stator shaft to coast clutch housing	1	03-11	E5TZ-7D014-A	27209A
A90	Thrust washer (plastic) .094" (#4)	stator shaft to coast clutch housing	1	03-11	n/a	27209D
A91	Bearing, thrust	stator shaft to overdrive sun gear	1	03-11	n/a	15157-56200
B92	Bearing, thrust	overdrive planetary to overdrive shaft	1	03-11	E6DZ-7F240-A	67225
B93	Bearing, thrust	overdrive shaft to center support	1	03-11	n/a	15157-56800
B94	Thrust washer (plastic) 2 tabs	center support to direct clutch housing	1	03-11	n/a	15157-57000
C95	Thrust washer (plastic) 3 tabs	forward housing to direct clutch housing	1	03-11	n/a	15157-57400
C96	Bearing, thrust	center support to forward clutch housing	1	03-11	n/a	15157-57800
C97	Thrust washer	forward clutch housing to forward hub	1	03-04	n/a	36421
C97	Thrust washer	forward clutch housing to forward hub	1	05-11	n/a	15157-58000
C98	Bearing, thrust	forward clutch hsg to forward planetary	1	03-11	n/a	15157-58200
D99	Bearing, thrust	forward planetary to forward hub	1	03-04	n/a	15157-58400
D99	Bearing, thrust	forward planetary to forward hub	1	05-11	n/a	15157-58500
D100	Lube dam (plastic) 4.00" od 6 tabs	forward planetary (rear)	1	03-04	n/a	15157-59000
D100	Lube dam (plastic) 4 tabs	forward planetary (rear)	1	05-11	n/a	15157-59100
D100	Lube dam (plastic) 4.375" od 6 tabs	forward planetary (rear)	1	05-11	n/a	15157-59200
D101	Bearing, thrust	forward planetary to sun gear	1	03-11	n/a	15157-58200
D103	Thrust washer (plastic) 4 tabs	sun gear spacer to reverse planetary	2	03-07	3C3Z-7A166-A	15157-59400
D103	Thrust washer (plastic) 4 tabs	sun gear spacer to PTO type rev planet	1	05-11	n/a	15157-59500
D104	Bearing, thrust	sun gear to rear hub	1	03-11	n/a	15157-58200
D105	Bearing, thrust	rear hub to case	1	03-11	n/a	15157-60000
E110	Thrust washer	park gear to case	1	03-11	n/a	15157-60300
E111	Bearing, thrust	park gear to case	1	03-11	n/a	15157-60500
E112	Bearing, ball .747" 3.344" od 1.772" id	snap ring to extension housing (4wd)	1	03-11	n/a	6209N
SNAP RINGS						
A114	Snap ring .059"	overdrive clutch backing plate to case	sel	03-11	AE	15157-62303
A114	Snap ring .079"	overdrive clutch backing plate to case	sel	03-11	n/a	15157-62403
A114	Snap ring .099"	overdrive clutch backing plate to case	sel	03-11	n/a	15157-62503
A114	Snap ring .119"	overdrive clutch backing plate to case	sel	03-11	n/a	15157-62603
A114	Snap ring .139"	overdrive clutch backing plate to case	sel	03-11	n/a	15157-62703
B115	Snap ring	coast clutch retainer	1	03-11	AE	15157-63103
B116	Snap ring	coast clutch backing plate to coast cl hsg	1	03-11	AE	15157-63503
B117	Snap ring	overdrive ring gear to overdrive shaft	1	03-11	AE	15157-63803
B118	Snap ring (beveled)	center support to case	1	03-11	AE	15157-64003
B119	Snap ring	intermediate retainer	1	03-11	AE	15157-64203
C120	Snap ring	direct retainer	1	03-11	AE	15157-64403
C121	Snap ring .058"	direct cl backing plate to direct cl hsg	sel	03-11	AE	15157-64603

5R110W (TorqShift)

5R110W (TorqShift)

ILL	DESCRIPTION	QTY	YEAR	REFERENCE #	PART #	
SNAP RINGS (CONTINUED)						
C121	Snap ring .067"	direct clutch backing plate to direct hsg	sel	03-11	n/a	15157-64703
C121	Snap ring .076"	direct clutch backing plate to direct hsg	sel	03-11	n/a	15157-64803
C121	Snap ring .085"	direct clutch backing plate to direct hsg	sel	03-11	n/a	15157-64903
C121	Snap ring .094"	direct clutch backing plate to direct hsg	sel	03-11	n/a	15157-65003
C122	Snap ring	forward clutch retainer	1	03-11	AE	15157-65203
C123	Snap ring .058"	forward clutch backing plate to fwd cl hsg	sel	03-11	n/a	15157-64603
C123	Snap ring .067"	forward clutch backing plate to fwd cl hsg	sel	03-11	n/a	15157-64703
C123	Snap ring .076"	forward clutch backing plate to fwd cl hsg	sel	03-11	n/a	15157-64803
C123	Snap ring .085"	forward clutch backing plate to fwd cl hsg	sel	03-11	n/a	15157-64903
C123	Snap ring .094"	forward clutch backing plate to fwd cl hsg	sel	03-11	n/a	15157-65003
C124	Snap ring	forward ring gear to hub	1	03-04	AE	15157-65303
C124	Snap ring	forward ring gear to hub	1	05-11	AE	15157-65313
D126	Snap ring	low/reverse backing plate to case	1	03-11	AE	15157-65803
D127	Snap ring	rear ring gear to hub	1	03-11	AE	15157-66003
D128	Snap ring	low/reverse retainer	1	03-11	AE	15157-66203
E129	Snap ring	4WD extension housing to bearing	1	03-11	AE	15157-66503
PUMP PARTS AND PUMPS						
A130	Pump assembly		1	03-11	8C3Z-7A103-A	15157-67000
A130	Pump assembly	rebuilt	1	03-11	AE	15157-67003
A131	Body, pump		1	03-11	AE	15157-67503
A132	Gear set		1	03-11	n/a	15157-68104
A133	Plate, pump		1	03-11	n/a	15157-68400
A134	Shaft, stator		1	03-11	n/a	15157-69003
HARD PARTS						
A144	Shaft, input 13 5/8" long (2nd design)	5R110W	1	03-11	n/a	10912-R
A146	Retainer, w/springs	5R110W (overdrive)	1	03-11	AE	15157-72203
B147	Housing, coast clutch	5R110W	1	03-11	n/a	15157-72400
B147	Housing, coast clutch	5R110W	1	03-11	AE	15157-72403
B149	Retainer, w/springs	5R110W (coast clutch)	1	03-11	AE	15157-72703
B150	Gear, sun gear	5R110W (overdrive)	1	03-11	n/a	15157-73000
B150	Gear, sun gear	5R110W (overdrive)	1	03-11	AE	15157-73003
B151	Hub, coast clutch (w/o PTO)	5R110W (w/bushing fits 4 pinion planetary)	1	03-11	AE	15157-73303
B151	Hub, coast clutch (w/o PTO)	5R110W (w/bushing fits 5 pinion planetary)	1	03-11	AE	15157-73403
B151	Hub, coast clutch (w/PTO)	5R110W (w/bearing fits 4 pinion planetary)	1	03-11	n/a	15157-73503
B152	Planetary, overdrive	5R110W (4 pinion)	1	03-11	n/a	15157-73800
B152	Planetary, overdrive	5R110W (4 pinion)	1	03-11	AE	15157-73803
B152	Planetary, overdrive	5R110W (5 pinion)	1	03-11	AE	15157-73903
B153	Gear, ring	overdrive	1	03-11	AE	15157-74103
B154	Shaft, overdrive	5R110W	1	03-11	AE	15157-74403
B155	Support, center	5R110W	1	03-11	AE	15157-74703
B157	Retainer, w/springs	5R110W (intermediate)	1	03-11	AE	15157-74903
C158	Housing, direct clutch	5R110W	1	03-04	n/a	15157-75100
C158	Housing, direct clutch	5R110W	1	03-04	AE	15157-75103
C158	Housing, direct clutch	5R110W	1	05-11	AE	15157-75110
C158	Housing, direct clutch	5R110W	1	05-11	AE	15157-75113
C160	Spring (beveled)	direct clutch return	1	03-11	n/a	15157-75500
C162	Housing, forward clutch	5R110W	1	03-04	n/a	15157-75700
C162	Housing, forward clutch	5R110W	1	03-04	AE	15157-75703
C162	Housing, forward clutch	5R110W	1	05-11	AE	15157-75710
C162	Housing, forward clutch	5R110W	1	05-11	AE	15157-75713
C164	Spring (beveled)	forward clutch return	1	03-11	n/a	15157-76100
C166	Hub, forward clutch		1	03-04	AE	15157-76303
C166	Hub, forward clutch		1	05-11	n/a	15157-76313

ILL	DESCRIPTION	QTY	YEAR	REFERENCE #	PART #
HARD PARTS (CONTINUED)					
C167	Gear, ring 92T forward	1	03-04	n/a	15157-76600
C167	Gear, ring 92T forward	1	03-04	AE	15157-76603
C167	Gear, ring 72T forward	1	05-11	n/a	15157-76610
C167	Gear, ring 72T forward	1	05-11	n/a	15157-76613
D168	Planetary (wide gears) 23T pinion forward	1	03-04	n/a	15157-77000
D168	Planetary (wide gears) 23T pinion forward	1	03-04	AE	15157-77003
D168	Planetary (narrow gears) 18T pinion forward (w/4 tabs lube dam)	1	05-11	n/a	15157-77100
D168	Planetary (narrow gears) 18T pinion forward (w/4 tabs lube dam)	1	05-11	AE	15157-77103
D168	Planetary (narrow gears) 18T pinion forward (w/6 tabs lube dam 4.375" od)	1	05-11	n/a	15157-77200
D168	Planetary (narrow gears) 18T pinion forward (w/6 tabs lube dam 4.375" od)	1	05-11	AE	15157-77203
D170	Shell, drive (w/sun gear 42T)(w/o PTO)	1	03-04	n/a	15157-77800
D170	Shell, drive (w/sun gear 42T)(w/o PTO)	1	03-04	AE	15157-77803
D170	Shell, drive (w/sun gear 55T)(w/o PTO) update to 2008 use drive shell/rear planet	1	05-07	n/a	15157-77810
D170	Shell, drive (w/sun gear 55T)(w/o PTO) update to 2008 use drive shell/rear planet	1	05-07	AE	15157-77813
D170	Shell, drive (w/sun gear 55T)(w/o PTO) no spacer for washer to ride on	1	08-11	n/a	15157-77820
D170	Shell, drive (w/sun gear 55T)(w/o PTO) no spacer for washer to ride on	1	08-11	AE	15157-77823
D170	Shell, drive (w/sun gear w/race 55T) bushing in low/rev planet (w/PTO)	1	05-11	AE	15157-77913
D170	Shell, drive (w/sun gear w/race 55T) bearing in low/rev planet (w/PTO)	1	05-11	AE	15157-78013
D172	Planetary, low/reverse (w/o PTO)	1	03-04	n/a	15157-78300
D172	Planetary, low/reverse (w/o PTO)	1	03-04	AE	15157-78303
D172	Planetary, low/reverse (w/o PTO) update to 2008 use rear planet/drive shell	1	05-07	n/a	15157-78310
D172	Planetary, low/reverse (w/o PTO) update to 2008 use rear planet/drive shell	1	05-07	AE	15157-78313
D172	Planetary, low/reverse (w/clutches) 5R110W	1	08-11	n/a	15157-78320
D172	Planetary, low/reverse (w/clutches) 5R110W	1	08-11	AE	15157-78323
D172	Planetary, low/reverse (w/PTO) w/bushing in front side	1	05-11	AE	15157-78413
D172	Planetary, low/reverse (w/PTO) w/bearing in front side	1	05-11	AE	15157-78513
D173	Gear, ring rear	1	03-11	AE	15157-78803
D174	Hub, ring gear rear	1	03-04	n/a	15157-79100
D174	Hub, ring gear w/holes rear	1	03-04	AE	15157-79103
D174	Hub, ring gear w/o holes rear	1	05-11	AE	15157-79113
D175	Retainer, w/springs low/reverse	1	03-11	AE	15157-79503
E176	Case	1	03-11	n/a	15157-79703
E179	Cover, PTO	1	03-11	n/a	15157-80303
E180	Sleeve output shaft lube to case	1	03-11	n/a	15157-80403
E181	Plug, orifice	1	03-11	n/a	15157-80503
E182	Gear, park	1	03-11	AE	15157-80603
E183	Plug, orifice output shaft	1	03-11	n/a	15157-80803
E184	Shaft, main (2X4)	1	03-11	n/a	15157-81103
E184	Shaft, main (4X4)	1	03-11	AE	15157-81303
E189	Nut, rear main shaft (4X4)	1	03-11	n/a	15157-81600
E189	Nut, rear main shaft (4X4)	1	03-11	AE	15157-81603
E190	Yoke (bolt on)	1	03-11	n/a	15157-81803
F193	Linkage, manual lever bracket	1	03-11	n/a	15157-82003
F194	Rod, park	1	03-11	n/a	10913-R
F195	Pin manual lever shaft	1	03-11	n/a	15157-82203
F196	Shaft, manual lever	1	03-11	n/a	15157-82403
F197	Pan	1	03-11	n/a	15157-82803
F198	Plate, channel	1	03-11	n/a	15157-83003
F199	Plate, backing	1	03-11	n/a	15157-83203
F200	Housing, solenoid (body)	1	03-05	n/a	15157-83303
F200	Housing, solenoid assembly complete	1	03-11	n/a	15157-83503
F201	E-clip solenoid retainer	1/7	03-11	n/a	15157-83603
n/i	Kit, update fwd drum to rr planet (update to 08-up)	1	03-04	8C3Z-7A398-A	15157-84100

LINE CARD

A TO Z TOOLS

Transmission Tools
AC-DELCO
 Hard Parts, Standard, Automatic, Switches
ALTO
 Lined Clutches, Steels
ATEC TRANS-TOOL
 Specialty Tools
AUTO CRAFT
 Flywheels, Clutch Forks, Cables
AUTO GEAR
 Standard Transmission Parts, Transfer Case Parts, Standard Transmission Assys., Transfer Case Assys.
AUTO TRANS GROUP
 Electrical Parts
A.T.S.G.
 Tech Manuals, Videos
B & M PRODUCTS
 Performance Kit Products
BORG WARNER
 Bands, Sprags, Frictions, Drive Chains
CR SEALS
 Speedy Sleeves, Metal Clad Seals, Bearings
CROWN
 Standard Parts
DACCO
 Converters
DERALE
 Coolers
DT COMPONENTS
 Drive Train Products
G-TEC
 Cleaning Chemicals
GABBERT AUTOMOTIVE
 Electrical Connectors
KENTMORE
 Transmission Tools
LIFE PRODUCTS
 Additives, Cooler Flush
LONG MFG.
 Coolers, Brackets

LOU FUSZ TOYOTA

Hard Parts
LOVE BOX
 Boxes
LUBE GUARD
 Additives
MERIDIAN IND.
 Axle Savers, Hard Parts, Speciality Items
MIDWEST MFG.
 Flywheels, Ring Gears
MIDWEST TRUCK
 Standard Transmission Parts, Bearings, Gaskets
MILLER SPECIALTY TOOLS
 Transmission Tools
MUSCLE PRODUCTS
 Additives
NACHI TECHNICAL
 Bearings
NEAPCO
 U-Joints, Boots, CV Joints
NTP
 Solenoids
OMEGA MACHINE
 Transfer Case parts
OTC
 Transmission Tools
PRAIRIE COMPONENTS
 Pump Vanes/Sprags
PRECISION INT'L
 Gasket Sets, Gaskets
QUIK SHIM
 Washers, Equipment
R & B MOTORMITE
 Dorman Products
RADIATOR SPECIALTY
 Hoses, Clamps
RAYMARK INDUSTRIES
 Clutch Disc (Lined), Plates (Steel), Bands
Parker (SAP) Hard Parts, Solenoids
ROSTRA
 Modulators, Solenoids, Test Equipment

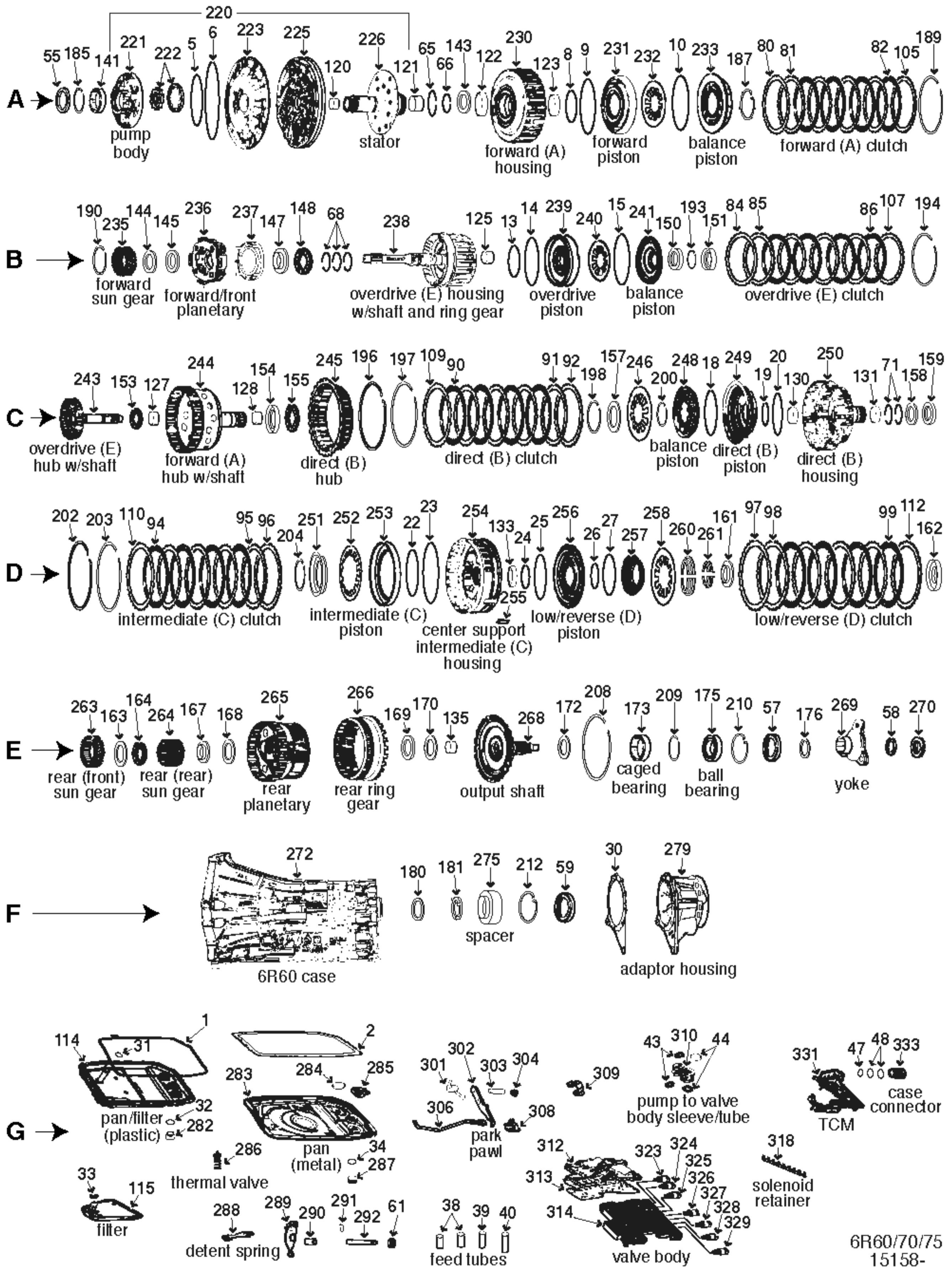
SCHAFFER

Electronic Test Equipment, Pressure Risers
SEYMOUR PAINTS
 Paints
SONNAX IND
 Governor Gears, Governor Assys., Governor Covers, Speed Items, Automotive Specialty Products
SOUTHEAST
 Mounts, Specialty Items
SPX - FILTRAN
 Filters, Rings
SPX - MIAMI
 Gasket Kits, Rings, Bushings, Seals, Steels, Frictions, Hard Parts
SUPERIOR
 Shift Correction Kits, Pumps
TECK-PAK
 Change Over Kits, Shims, Solenoids, Cables
TIC
 Standard Parts
TRANSCO
 Shift Kits, Performance Kits
TRANS LAB
 Correction Kits
TRANSMOTIVE (Wade)
 Standard Transmission Parts, Bearings, Gaskets
TRANSTEC
 Gasket Sets, Seals
TRI-COMPONENT
 Bushings, Washers, Pump Gears, Hard Parts
VALEO
 Standard Clutch Sets
VENTURE PRODUCTS
 Ring Gears, Flywheels
ZOOM
 Transmission Testers

A & Reds
 Transmission Parts
 3737 W. 29th South
 Wichita, KS 67217
 Local (Wichita) 316-942-5300
 Nat. Toll Free 1-800-835-1007
 email:parts@areds.com

Ask the
IMPOSSIBLE,
 we might
 surprise You!

A & Reds Kansas City
 2000 Indiana
 Kansas City, MO 64127
 Local (Kansas City) 816-483-7337
 Fax: 816-483-3109
 866-780-7337



6R60/70/75
15158-

ILL	DESCRIPTION	QTY	YEAR	REFERENCE #	PART #	
TECHNICAL MANUALS						
K53	Tech manual 6R60/ZF6HP26 dis/assembly diagnosis & troubleshooting	1	05-10	ZF6HP26TM	010-232	
REBUILDER KITS						
K5	Master kit w/steels	6R60	1	06-10	AE	15158-11004
K6	Master kit w/o steels	6R60	1	06-10	AE	15158-12004
K7	O/H gasket set w/seals-rings	6R60	1	06-10	FDB-2495	15158-13004
VALVE BODY KITS						
K15	Kit, valve body repair	6R60	1	05-10	n/a	15158-17009
K53	Kit, valve body repair	6R60	1	05-10	n/a	15158-17005
GASKETS AND RUBBER COMPONENTS						
G1	Gasket, oil pan	6R60	1	06-10	5L7Z-7A191-AA	45158-20104
G2	Gasket, oil pan (w/molded rubber edge)	6R60	1	06-10	B33324	15158-20104
A5	O'ring	pump body	1	06-10	MGW-86154	15158-21004
A6	O'ring	pump plate	1	05-10	6L2Z-7A248-CA	15158-21204
G38	Seal, rubber tube 1.000" length	intermediate housing to valve body	2	06-10	n/a	15158-23504
G39	Seal, rubber tube 1.212" length	intermediate housing to valve body	1	06-10	n/a	15158-23604
G40	Seal, rubber tube 1.565" length	intermediate housing to valve body	1	06-10	n/a	15158-23704
G43	Seal, rubber (small)	VB to sleeve/tube (plastic) to pump	2	06-10	FDB-B33328	15158-23804
G44	Seal, rubber (large)	VB to sleeve/tube (plastic) to pump	2	06-10	FDB-33327	15158-23904
G47	O'ring	electrical connector to valve body	1	06-10	n/a	15158-24104
G48	O'ring	electrical connector to case	2	06-10	FDB-16216	15158-24204
n/i	Washer, pump bolt (rubber inner)	6R60	14	06-10	n/a	15158-21104
METAL CLAD SEALS						
A55	Seal, metal clad	front	1	05-10	6L2Z-7A248-AA	15158-30004
E57	Seal, metal clad	extension housing (2wd)	1	05-08	6L2Z-7052-AA	15158-30104
E57	Seal, metal clad	extension housing (2wd)	1	08-10	9L3Z-7052-A	15158-30114
E58	Seal, rubber	yoke (2wd)	1	05-10	6L2Z-7052-A	15158-30804
F59	Seal, metal clad	extension housing (4wd)	1	05-08	6L2Z-7052-BA	15158-30404
F59	Seal, metal clad	extension housing (4wd)	1	08-10	9L3Z-7052-B	15158-30414
G62	Seal, metal clad	manual lever shaft	1	05-10	6L2Z-7B498-AA	15158-30604
SEALING RINGS						
K10	Kit, sealing ring	6R60	1	06-10	FDB-3501	15158-31504
A65	Ring, sealing (metal)	pump stator	1	06-10	6L2Z-7D019-AA	15158-32004
A66	Ring, sealing (metal)	pump stator	1	06-10	6L2Z-7L323-AA	15158-32304
B68	Ring, sealing (teflon)	turbine shaft (overdrive housing)	2	06-10	6L2Z-7G091-DA	15158-33304
B68	Ring, sealing (plastic)	turbine shaft (overdrive housing)	3	06-10	n/a	15158-33204
C71	Ring, sealing (teflon)	direct clutch housing	2	06-10	6L2Z-7D020-CA	15158-33504
CLUTCH PLATES						
A80	Steel .035" 6.450" id 30T (waved plate)	(A) forward clutch	1	05-10	n/a	15158-37704
A81	Steel .118" 6.450" id 30T	(A) forward clutch	6	06-08	6L2Z-7B442-BA	15158-37504
A82	Friction .063" 7.370" od 30T	(A) forward clutch	5	06-08	6L2Z-7B164-AA	15158-35204
A82	Friction .087" 7.370" od 30T	(A) forward clutch	sel	05-10	APC-183700-220	15158-35304
B84	Steel .030" 4.200" id 24T (waved plate)	(E) overdrive clutch	1	05-10	n/a	15158-37804
B85	Steel .118" 4.200" id 24T	(E) overdrive clutch	6	06-07	6L2Z-7B442-AA	15158-38004
B85	Steel .095" 4.200" id 24T	(E) overdrive clutch	sel	06-10	APC-183703-240	15158-38104
B86	Friction .063" 5.150" od 30T	(E) overdrive clutch	6	06-08	6L2Z-7B164-CA	15158-35604
B86	Friction .079" 5.150" od 30T	(E) overdrive clutch	sel	05-10	APC-183702-200	15158-35704
C90	Friction .082" 7.370" od 30T	(B) direct clutch	4	06-08	6L2Z-7B164-BA	15158-36004
C90	Friction .087" 7.370" od 30T	(B) direct clutch	sel	05-10	APC-183700-220	15158-35304
C91	Steel .082" 6.450" id 30T	(B) direct clutch	4	06-10	6L2Z-7B442-BA	15158-37604
C92	Steel .035" 6.450" id 30T (waved plate)	(B) direct clutch	1	05-10	n/a	15158-37704
D94	Friction .082" 7.370" od 30T	(C) intermediate/2nd clutch	4	06-08	6L2Z-7B164-BA	15158-36004
D94	Friction .087" 7.370" od 30T	(C) intermediate/2nd clutch	sel	05-10	APC-183700-220	15158-35304
D95	Steel .082" 6.450" id 30T	(C) intermediate/2nd clutch	4	06-10	6L2Z-7B442-BA	15158-37604

6R60•6R70•6R75

6R60•70•75

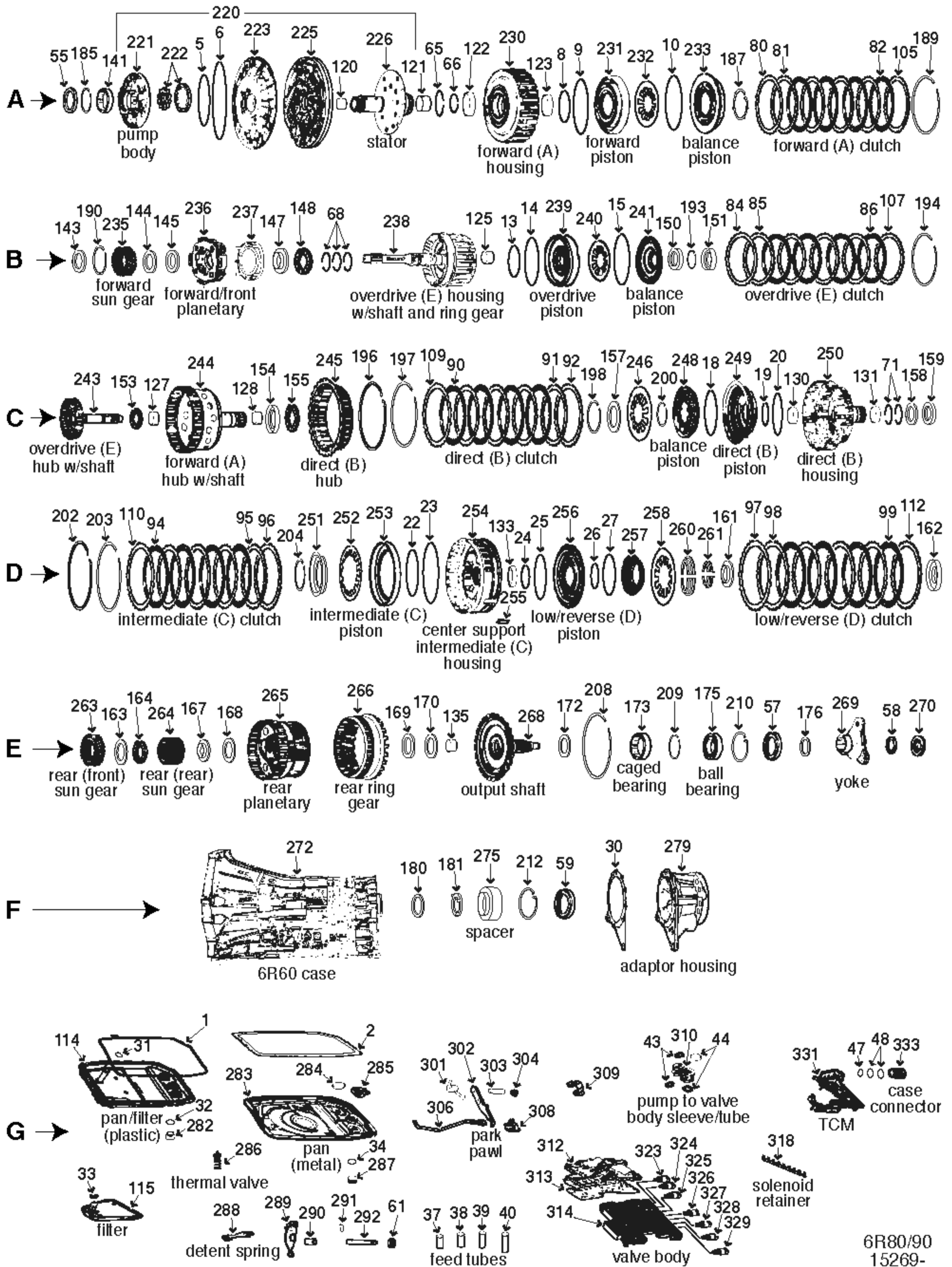
ILL	DESCRIPTION		QTY	YEAR	REFERENCE #	PART #
CLUTCH PLATES (CONTINUED)						
D96	Steel .035" 6.450" id 30T (waved plate)	(C) intermediate/2nd clutch	1	05-10	n/a	15158-37704
D97	Steel .040" 6.450" id 30T (waved plate)	(D) low/reverse clutch	1	05-10	n/a	15158-37904
D98	Steel .082" 6.450" id 30T	(D) low/reverse clutch	6	05-10	6L2Z-7B442-BA	15158-37604
D99	Friction .063" 7.370" od 30T	(D) low/reverse clutch	7	05-10	6L2Z-7B164-AA	15158-35204
D99	Friction .087" 7.370" od 30T	(D) low/reverse clutch	sel	05-10	APC-183700-220	15158-35304
all	Steel .095" 6.450" id 30T	input/direct/2nd brake/low/reverse clutch	sel	05-10	APC-183701-240	15158-38204
all	Steel .105" 6.450" id 30T	input/direct/2nd brake/low/reverse clutch	sel	05-10	APC-183701-267	15158-38304
all	Steel .130" 6.450" id 30T	input/direct/2nd brake/low/reverse clutch	sel	05-10	APC-183701-330	15158-38404
all	Steel .142" 6.450" id 30T	input/direct/2nd brake/low/reverse clutch	sel	05-10	APC183701-360	15158-38504
all	Steel .154" 6.450" id 30T	input/direct/2nd brake/low/reverse clutch	sel	05-10	APC-183701-390	15158-38604
PRESSURE PLATES						
A105	Pressure plate .105" 6.450" id 30T	(A) forward clutch	1	05-10	AE	15158-41103
B107	Pressure plate .118" 4.200" id 24T/24 tabs	(E) overdrive clutch	1	05-10	AE	15158-41603
C109	Pressure plate .152" 6.450" 30T/30 tabs	(B) direct clutch	1	05-10	AE	15158-42003
D110	Pressure plate 30T	(C) intermediate clutch	1	05-10	AE	15158-42203
D112	Pressure plate .142" 6.450" 30T	(D) low/reverse clutch	1	05-10	AE	15158-43003
D112	Pressure plate .130" 6.450" 30T	(D) low/reverse clutch	sel	05-10	AE	15158-42303
D112	Pressure plate .095" 6.450" 30T	(D) low/reverse clutch	sel	05-10	AE	15158-42503
FILTERS						
G114	Filter, oil screen/pan assembly	plastic pan w/filter made in it	1	06-09	n/a	45158-45004
G115	Filter (6 sided not equal)	Explorer	1	06-08	6L2Z-7A098-AA	15158-45104
G115	Filter (square w/dog ear)	Explorer/Sport Trac/Expedition/Nav/F ser	1	07-09	7L1P-7G1786-A	15158-45804
BUSHINGS						
K12	Kit, bushing	6R80	1	06-10	n/a	15158-50004
A120	Bushing	stator (front)	1	06-10	n/a	15158-50704
A121	Bushing	stator (rear)	1	06-10	n/a	15158-50804
A122	Bushing	forward housing (front)	1	06-10	n/a	15158-50904
A123	Bushing	forward housing (rear)	1	06-10	n/a	15158-51204
B125	Bushing	overdrive housing (rear)	1	06-10	n/a	15158-51404
C127	Bushing	forward hub (front)	1	06-10	n/a	15158-51604
C128	Bushing	forward hub (rear)	1	06-10	n/a	15158-51604
C130	Bushing	direct housing (front)	1	06-10	n/a	15158-52204
C131	Bushing	direct housing (rear)	1	06-10	n/a	15158-52204
D133	Bushing	inter clutch housing (center support)	1	05-10	n/a	15158-52304
E135	Bushing	output shaft (front)	1	06-10	n/a	15158-52504
WASHERS/BEARINGS/RACES/SHIMS						
K12	Kit, thrust bearing	6R60	1	05-10	n/a	15158-55104
A141	Bearing, caged	pump body	1	05-10	n/a	15158-56104
A143	Spacer, shim .133" 1.596" id 1.928" od	stator/pump supt to forward/frt sun gear	sel	05-10	n/a	15158-56204
B144	Bearing, thrust .161" 1.381" id 2.037" od	sun gear to race	1	05-10	n/a	15158-56504
B145	Race, thrust .038" 1.303" id 1.905" od	bearing to inner fwd planet (inside lip)	1	05-10	n/a	15158-56604
B147	Race, thrust .030" 1.367" id 1.904" od	forward planetary to bearing (inside lip)	1	05-10	n/a	15158-57004
B148	Bearing, thrust .161" 1.381" id 2.037" od	race to overdrive housing	1	05-10	n/a	15158-56504
B150	Washer (retainer) .043" 1.38" id 1.702" od	od bal piston to snap ring (outside lip)	1	05-10	n/a	15158-57504
B151	Bearing, thrust .185" .834" id 1.504" od	overdrive hsg to od hub (outside lip)	1	05-10	n/a	15158-57804
C153	Bearing, thrust .161" 1.381" id 2.037" od	overdrive hub to forward hub	1	05-10	n/a	15158-56504
C154	Race .038" 1.441" id 2.209" od	forward hub to bearing	1	05-10	n/a	15158-58304
C155	Bearing, thrust .155" 1.384" id 2.254" od	race to direct housing	1	05-10	n/a	15158-58504
C157	Washer (retainer) .080" 1.97" id 2.34" od	snap ring to diaph spring w/outer ledge	1	05-10	n/a	15158-58804
C158	Bearing, thrust .135" 1.930" id 2.628" od	direct housing to race	1	05-10	n/a	15158-59004
C159	Race .032" 2.073" id 2.622" od	bearing to intermed housing (outside lip)	1	05-10	n/a	15158-59204
D161	Bearing, thrust .136" 1.860" id 2.670" od	intermediate housing to race (inside lip)	1	05-10	n/a	15158-59604
D162	Race .042" 2.003" id 2.819" od	bearing to rear sun gear (inner/outer lip)	1	05-10	n/a	15158-59704

ILL	DESCRIPTION	QTY	YEAR	REFERENCE #	PART #
WASHERS/BEARINGS/RACES/SHIMS (CONTINUED)					
E163	Race .125" 1.380" id 1.970" od rear (front) sun gear to bearing	1	05-10	n/a	15158-60104
E164	Bearing, thrust .0154" 1.342" id 2.046" od race to rear (rear) sun gear (inside lip)	1	05-10	n/a	15158-60504
E167	Bearing, thrust .0154" 1.342" id 2.046" od rear (rear) sun gear to race (inside lip)	1	05-10	n/a	15158-60504
E168	Race .038" 1.333" id 1.902" od bearing to rear planetary	1	05-10	n/a	15158-60604
E169	Bearing, thrust .155" 1.579" id 2.187" od rear planetary to output shaft	1	05-10	n/a	15158-60904
E170	Race .038" 1.701" id 2.321" od rear planetary to output shaft	1	05-10	n/a	15158-61004
E172	Washer, spacer .071" 1.549" id 2.160" od output shaft to yoke 2WD	sel	05-10	n/a	15158-61204
E173	Bearing, caged in rear of case	1	05-10	F-233285-1	15158-61504
F180	Washer, spacer .071" 1.549" id 2.160" od output shaft to bearing	sel	05-10	n/a	15158-61204
F181	Bearing, thrust .197" 1.565" id 2.315" od output shaft to sleeve (3 straight tabs)	1	05-10	n/a	15158-62004
SNAP RINGS					
A187	Snap ring .056" 3.0" od 4 tabs (true-arc) fwd balance piston to diaphragm spring	1	06-10	AE	15158-62303
A189	Snap ring .155" 7.783" od forward clutch pressure plate	1	06-10	AE	15158-62503
B190	Snap ring .038" 2.900" (waved) forward hsg to forward/front planetary	1	06-10	AE	15158-62903
B193	Snap ring .095" 1.633" od od balance piston retainer to od hsg	1	06-10	AE	15158-63303
B194	Snap ring .083" 5.584" od overdrive clutch pressure plate	1	06-10	AE	15158-63603
C196	Snap ring .099" 7.750" od direct hub to forward housing	1	06-10	AE	15158-63803
C197	Snap ring .138" 7.750" od direct clutch pressure plate	1	06-10	AE	15158-64203
C198	Snap ring .056" 2.250" od inside direct balance piston	1	06-10	AE	15158-64603
C200	Snap ring .096" 2.130" od direct balance piston to diaphragm spring	1	06-10	AE	15158-64803
D202	Snap ring .181" (beveled both sides) 8.500" od (intermediate housing to case)	1	06-10	AE	15158-65103
D203	Snap ring .123" 7.750" od intermediate clutch pressure plate	1	06-10	AE	15158-65403
D204	Snap ring .075" 3.700" od intermediate clutch retainer	1	06-10	AE	15158-65703
E208	Snap ring .076" 7.250" od output shaft to rear ring gear	1	06-10	AE	15158-66003
E209	Snap ring caged bearing to ball bearing (2WD)	1	06-10	AE	15158-66203
E210	Snap ring .096" (beveled both sides) 3.0662" od (ball bearing to case 2WD)	1	06-10	AE	15158-66503
F212	Snap ring .096" (beveled both sides) 3.0662" od (spacer to case 4WD)	1	06-10	AE	15158-66503
PUMP PARTS AND PUMPS					
A220	Pump, assembly (w/o front bushing) 1.000" id rear bushing	1	06-10	AE	15158-67003
A220	Pump, assembly (w/o front bushing) 1.180" id rear bushing	1	06-10	AE	15158-67103
A220	Pump, assembly (w/front bushing) 1.180" id rear bushing	1	06-10	AE	15158-67203
A221	Pump body w/gears vent hole 1.190" od	1	06-10	1068-410-063	15158-67503
A221	Pump body w/gears vent hole .265" od	1	06-10	AE	15158-67603
A222	Gears, pump .550" thickness 3.767" od 17T inner gear 21T outer gear	1	06-10	n/a	15158-68104
A223	Plate, pump pump body sits in	1	06-10	AE	15158-70003
A223	Plate, pump pump body sits in	1	06-10	1068-410-050	15158-70103
A223	Plate, pump pump body sits in	1	06-10	AE	15158-70203
A225	Plate, pump channel between pump plate and stator support	1	06-10	1068-410-075	15158-70503
A225	Plate, pump channel between pump plate and stator support	1	06-10	AE	15158-70603
A226	Support, pump stator (w/o front bushing) 1.000" id rear bushing	1	06-10	AE	15158-68403
A226	Support, pump stator (w/o front bushing) 1.180" id rear bushing	1	06-10	1068-210-048	15158-68503
A226	Support, pump stator (w/front bushing) 1.180" id rear bushing	1	06-10	AE	15158-68603
HARD PARTS					
A230	Housing, forward clutch casting #1068-102-358/0247686-1	1	06-10	AE	15158-72203
A231	Piston, forward clutch 1.485" oh casting #1068-470-044	1	06-10	AE	15158-72503
A231	Piston, forward clutch 6R60	1	06-10	AE	15158-72603
A232	Spring, diaphragm .082" 10 fingers forward clutch (5.633" od)	1	06-10	AE	15158-72803
A233	Piston, forward balance 3 drive slots for 3 pinion planetary	1	06-10	AE	15158-73003
A233	Piston, forward clutch (balance) 4 drive slots for 4 pinion planetary	1	06-10	AE	15158-73203
B235	Gear, sun forward 2.567" od 37T 1 id groove	1	06-10	AE	15158-73503
B236	Planetary, forward front 3 pinion gears 3 sets 6T drive teeth	1	06-10	AE	15158-73703
B236	Planet, forward front 4 pinion gears 16T 4 sets 6T drive teeth	1	06-10	AE	15158-73903
B237	Slinger, oil dam 4 tabs 4 oil tubes	1	06-10	1070-332-063	15158-74103

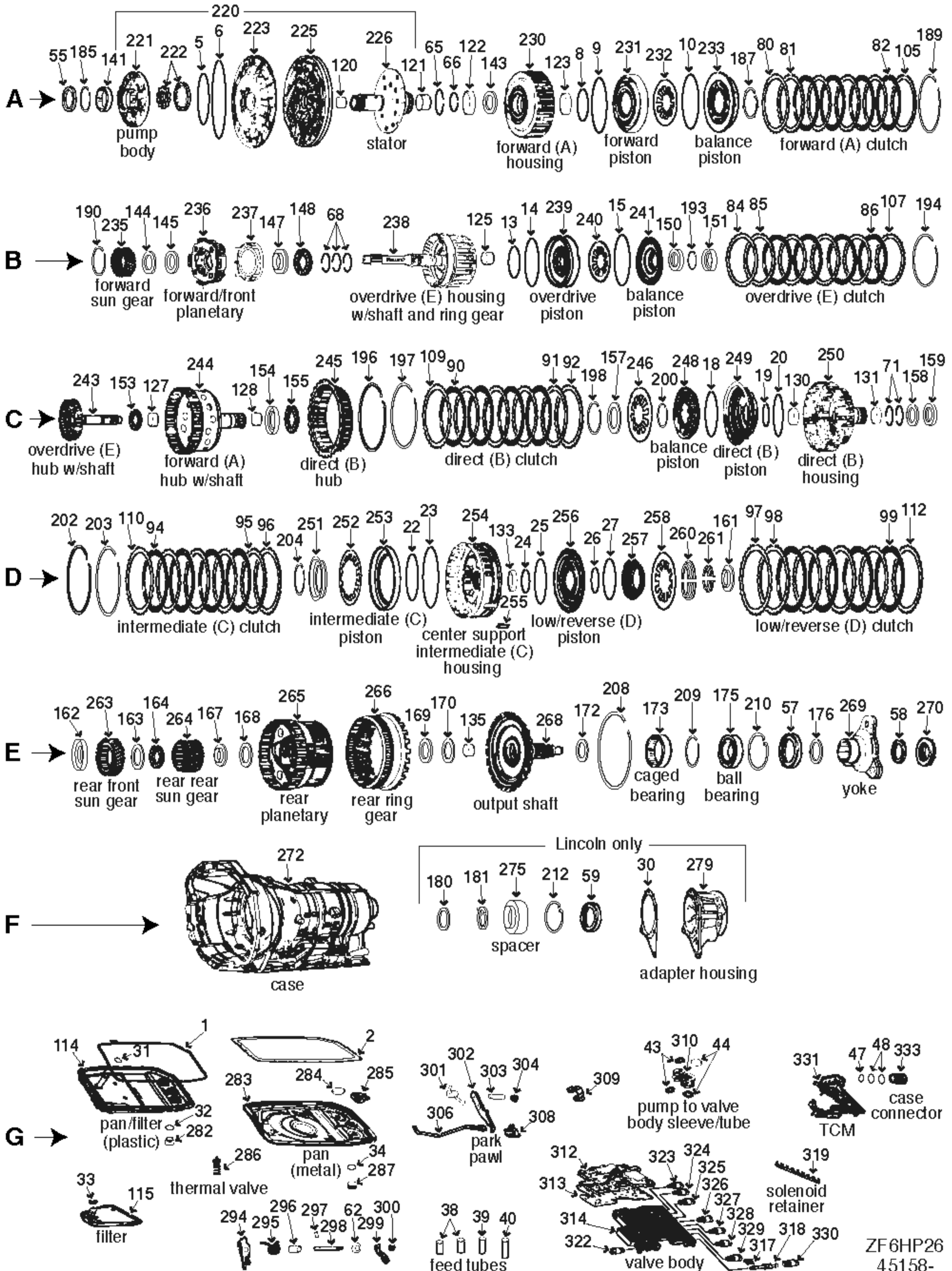
6R60•6R70•6R75

6R60•70•75

ILL	DESCRIPTION	QTY	YEAR	REFERENCE #	PART #
HARD PARTS (CONTINUED)					
B238	Housing, od (w/turbine shaft ring gear) bushing surface by splines 2 sealing rings	1	06-10	AE	15158-74503
B238	Housing, od (w/turbine shaft ring gear) no bushing surface on shaft 3 seal rings	1	06-10	AE	15158-74603
B239	Piston, overdrive clutch 1.340" oh	1	06-10	AE	15158-75003
B240	Spring, diaphragm .079" 10 fingers	1	06-10	AE	15158-75203
B241	Piston, overdrive balance	1	06-10	AE	15158-75403
C243	Hub, overdrive w/shaft	1	06-10	AE	15158-75603
C243	Hub, overdrive w/shaft .925" od 29 splines	1	06-10	AE	15158-75703
C244	Hub, forward clutch w/shaft 1.306" od	1	06-10	AE	15158-75903
C245	Hub, direct clutch	1	06-10	AE	15158-76103
C246	Spring, diaphragm .079" 10 fingers	1	06-10	AE	15158-76503
C248	Piston, balance direct clutch	1	06-10	AE	15158-76703
C249	Piston, direct clutch	1	06-10	1068-472-045	15158-76903
C250	Housing, direct clutch 1.773" od	1	06-10	AE	15158-77203
D251	Retainer, intermediate clutch	1	06-10	AE	15158-77503
D252	Spring, diaphragm .082" 6.948" od	1	06-10	AE	15158-77803
D253	Piston, intermediate clutch .737" oh	1	06-10	AE	15158-78003
D253	Piston, intermediate clutch	1	06-10	AE	15158-78203
D254	Housing, intermediate clutch	1	06-10	AE	15158-78503
D254	Housing, intermediate clutch	1	06-10	AE	15158-78703
D256	Piston, low/reverse clutch	1	06-10	AE	15158-79003
D256	Piston, low/reverse clutch	1	06-10	AE	15158-79203
D257	Piston, balance low/reverse clutch	1	06-10	AE	15158-79503
D258	Spring, diaphragm .063" 12 fingers	1	06-10	AE	15158-79603
D260	Retainer, 2 piece (split type)	1	06-10	AE	15158-79803
D261	Retainer, 2 piece (split type w/2 tabs)	1	06-10	AE	15158-79903
E263	Gear, rear front sun gear 2.877" od 38T	1	06-10	AE	15158-80103
E264	Gear, rear rear sun gear 2.373" od 31T	1	06-10	AE	15158-80503
E265	Planetary, rear 23T on split pinions	1	06-10	1068-332-060-818	15158-81003
E266	Gear, output ring 85T	1	06-10	AE	15158-81503
E268	Shaft, output (w/park gear 2WD)	1	06-10	AE	15158-82003
E268	Shaft, output direct mount	1	06-10	AE	15158-82303
E268	Shaft, output direct mount 8.750" oh	1	06-10	AE	15158-82503
E269	Yoke, drive	1	06-10	AE	15158-82603
E269	Yoke, drive	1	06-10	AE	15158-82703
F275	Spacer, aluminum	1	06-10	AE	15158-82803
G283	Pan metal	1	06-10	AE	15158-82904
G288	Roll, detent spring	1	06-10	AE	15158-83003
G289	Cone, rooster	1	06-10	AE	15158-83103
G290	Spacer	1	06-10	AE	15158-83203
G291	Pin, roll	1	06-10	AE	15158-83304
G292	Shaft, manual lever	1	06-10	AE	15158-83404
G301	Spring, park return	1	06-10	AE	15158-83903
G302	Pawl, park	1	06-10	AE	15158-84003
G303	Pin, park shaft	1	06-10	AE	15158-84103
G304	Bolt, park pin	1	06-10	AE	15158-84203
G306	Rod, park	1	06-10	AE	15158-84303
G308	Bracket, park rod guide	1	06-10	AE	15158-84403
G310	Housing seals (plastic)	1	06-10	AE	15158-84503
G313	Plate, valve body (bonded)	1	06-07	6L2Z-7Z490-A	15158-28804
G313	Plate, valve body (bonded)	1	06-10	1068-227-052	45158-28904
G313	Plate, valve body (bonded)	1	06-10	1068-227-035	45158-29004
G313	Plate, valve body (bonded)	1	06-10	1068-227-051	45158-29104
G313	Plate, valve body (bonded)	1	06-10	1068-227-047	45158-29204



6R80/90
15269-



ZF6HP26
45158-

ILL	DESCRIPTION		QTY	YEAR	REFERENCE #	PART #
TECHNICAL MANUALS						
K53	Tech manual 6R60/ZF6HP26 dis/assembly	diagnosis & troubleshooting	1	02-11	ZF6HP26TM	010-232
REBUILDER KITS						
K5	Master kit w/steels	w/o bonded separator plate	1	02-11	AE	45158-11104
K6	Master kit w/o steels	w/o bonded separator plate	1	02-11	AE	45158-12104
K7	O/H gasket set w/seals-rings	w/o bonded separator plate	1	02-11	FDB-2496	45158-13104
VALVE BODY KITS						
K15	Kit, valve body repair	ZF6HP26	1	04-11	n/a	15158-17009
K15	Kit, valve body repair	ZF6HP26	1	04-11	n/a	15158-17005
GASKETS AND RUBBER COMPONENTS						
G1	Gasket, oil pan	molded rubber for plastic pan	1	01-10	0501-323-155	45158-20104
G2	Gasket, oil pan (w/molded rubber edge)	ZF6HP26	1	02-11	FDB-B33324	15158-20104
A5	O'ring	pump body	1	02-11	MGW-86154	15158-21004
A6	O'ring	pump plate	1	02-11	6L2Z-7A248-CA	15158-21204
G38	Seal, rubber tube 1.000" length	intermediate housing to valve body	2	02-11	n/a	15158-23504
G39	Seal, rubber tube 1.212" length	intermediate housing to valve body	1	02-11	n/a	15158-23604
G40	Seal, rubber tube 1.565" length	intermediate housing to valve body	1	02-11	n/a	15158-23704
G43	Seal, rubber (small)	VB to sleeve/tube (plastic) to ump	2	02-11	FDB-B33328	15158-23804
G44	Seal, rubber (large)	VB to sleeve/tube (plastic) to ump	2	02-11	FDB-B33327	15158-23904
G47	O'ring	electrical connector to valve body	1	02-11	n/a	15158-24104
G48	O'ring	electrical connector to case	2	02-11	FDB-B16216	15158-24204
n/i	Washer, pump bolt (rubber inner)	ZF6HP26A	14	02-11	n/a	15158-21104
G62	Seal, metal clad	shift shaft	1	02-11	6L2Z-7B498-AA	15158-30604
METAL CLAD SEALS						
A55	Seal, metal clad	front	1	02-11	6L2Z-7A248-AA	15158-30004
E57	Seal, metal clad	extension housing (2WD)	1	02-08	6L2Z-7052-AA	15158-30104
E57	Seal, metal clad	extension housing (2WD)	1	08-11	9L3Z-7052-A	15158-30114
E58	Seal, rubber	yoke (2WD)	1	02-11	6L2Z-7052-A	15158-30804
SEALING RINGS						
K10	Kit, sealing ring	ZF6HP26	1	02-11	FDB-3501	15158-31504
A65	Ring, sealing (metal)	pump stator	1	02-11	6L2Z-7D019-AA	15158-32004
A66	Ring, sealing (metal)	pump stator	1	02-11	6L2Z-7L323-AA	15158-32304
B68	Ring, sealing (plastic)	turbine shaft (overdrive housing)	3	02-11	n/a	15158-33204
B68	Ring, sealing (teflon)	turbine shaft (overdrive housing)	2	02-11	6L2Z-7G091-DA	15158-33304
C71	Ring, sealing (teflon)	direct clutch housing	2	02-11	6L2Z-7D020-CA	15158-33504
CLUTCH PLATES						
A80	Steel .035" 6.450" id 30T (waved plate)	(A) forward clutch	1	02-11	n/a	15158-37704
A81	Steel .118" 6.450" id 30T	(A) forward clutch	4/5	02-11	1068-377-020	15158-37504
A81	Steel .105" 6.450" id 30T	(A) forward clutch	sel	02-11	1068-377-023	15158-38304
A81	Steel .130" 6.450" id 30T	(A) forward clutch	sel	02-11	1068-377-024	15158-38404
A81	Steel .142" 6.450" id 30T	(A) forward clutch	sel	02-11	1068-377-025	15158-38504
A82	Friction .063" 7.370" od 30T	(A) forward clutch	4/5	02-11	1068-277-004	15158-35204
B84	Steel .030" 4.200" id 24T (waved plate)	(E) overdrive clutch	1	02-11	n/a	15158-37804
B85	Steel .118" 4.200" id 24T	(E) overdrive clutch	6/7	02-11	1068-371-030	15158-38004
B85	Steel .095" 4.200" id 24T	(E) overdrive clutch (some models)	6/7	02-11	APC-183703-240	15158-38104
B86	Friction .063" 5.150" od 30T	(E) overdrive clutch	6	02-11	n/a	15158-35604
B86	Friction .079" 5.150" od 30T	(E) overdrive clutch	sel	02-11	APC-183702-200	15158-35704
C90	Friction .087" 7.370" od 30T	(B) direct clutch	4/5	02-11	1068-277-002	15158-35304
C91	Steel .082" 6.450" id 30T	(B) direct clutch	4/5	01-11	1068-377-019	15158-37604
C92	Steel .035" 6.450" id 30T (waved plate)	(B) direct clutch	1	02-11	n/a	15158-37704
D94	Friction .087" 7.370" od 30T	(C) intermediate clutch	4/5	02-11	1068-277-002	15158-35304
D95	Steel .118" 6.450" id 30T	(C) intermediate clutch	4/5	02-11	1068-377-020	15158-37504
D96	Steel .035" 6.450" id 30T (waved plate)	(C) intermediate clutch	1	02-11	n/a	15158-37704
D97	Steel .040" 6.450" id 30T (waved plate)	(D) low/reverse clutch	1	02-11	n/a	15158-37904

ZF6HP26

ZF6HP26

ILL	DESCRIPTION	QTY	YEAR	REFERENCE #	PART #
CLUTCH PLATES (CONTINUED)					
D98	Steel .082" 6.450" id 30T (D) low/reverse clutch	6/7	02-11	1068-377-019	15158-37604
D98	Steel .095" 6.450" id 30T (D) low/reverse clutch	sel	02-11	1068-377-022	15158-38204
D99	Friction .063" 7.370" od 30T (D) low/reverse clutch	6/7	02-11	1068-277-004	15158-35204
PRESSURE PLATES					
A105	Pressure plate .105" 6.450" id 30T (A) forward clutch	1	02-11	AE	15158-41103
B107	Pressure plate .118" 4.200" id 24T/24 tabs (E) overdrive clutch	1	02-11	AE	15158-41603
C109	Pressure plate .152" 6.450" 30T/30 tabs (B) direct clutch	1	02-11	AE	15158-42003
D110	Pressure plate 30T (C) intermediate clutch	1	02-11	AE	15158-42203
D112	Pressure plate .142" 6.450" 30T (D) low reverse clutch	1	02-11	AE	15158-43003
D112	Pressure plate .130" 6.450" 30T (D) low reverse clutch	sel	02-11	AE	15158-42303
D112	Pressure plate .095" 6.450" 30T (D) low reverse clutch	sel	02-11	AE	15158-42503
FILTERS					
G114	Filter, oil screen/pan assembly plastic pan w/filter made in it	1	97-04	0501-216-243	45158-45004
G115	Filter (6 sided not equal) ZF6HP26	1	01-10	0501-213-359	15158-45104
BUSHINGS					
K12	Kit, bushing ZF6HP26	1	02-11	n/a	15158-50004
A120	Bushing stator (front)	1	02-11	n/a	15158-50704
A121	Bushing stator (rear)	1	02-11	n/a	15158-50804
A122	Bushing forward housing (front)	1	02-11	n/a	15158-50904
A123	Bushing forward housing (rear)	1	02-11	n/a	15158-51204
B125	Bushing overdrive housing (rear)	1	02-11	n/a	15158-51404
C127	Bushing forward hub (front)	1	02-11	n/a	15158-51604
C128	Bushing forward hub (rear)	1	02-11	n/a	15158-51604
C130	Bushing direct housing (front)	1	02-11	n/a	15158-52204
C131	Bushing direct housing (rear)	1	02-11	n/a	15158-52204
D133	Bushing intermediate clutch housing (center)	1	02-11	n/a	15158-52304
E135	Bushing output shaft (front)	1	02-11	n/a	15158-52504
WASHERS/BEARINGS/RACES/SHIMS					
K12	Kit, thrust bearing ZF6HP26	1	02-11	n/a	15158-55104
A141	Bearing, caged pump body	1	02-11	n/a	15158-56104
A143	Spacer, shim .133" 1.596" id 1.928" od pump stator to front sun gear	sel	02-11	n/a	15158-56204
B144	Bearing, thrust .161" 1.381" id 2.037" od sun gear to race	1	02-11	n/a	15158-56504
B145	Race, thrust .038" 1.303" id 1.905" od bearing to forward planetary	1	02-11	n/a	15158-56604
B147	Race, thrust .030" 1.367" id 1.904" od forward planetary to bearing	1	02-11	n/a	15158-57004
B148	Bearing, thrust .161" 1.381" id 2.037" od race to overdrive housing	1	02-11	n/a	15158-56504
B150	Washer (retainer) .043" 1.38" id 1.702" od od bal piston to snap ring	1	02-11	n/a	15158-57504
B151	Bearing, thrust .185" .834" id 1.504" od overdrive housing to od hub	1	02-11	n/a	15158-57804
C153	Bearing, thrust .161" 1.381" id 2.037" od overdrive hub to forward hub	1	02-11	n/a	15158-56504
C154	Race .038" 1.441" id 2.209" od forward hub to bearing	1	02-11	n/a	15158-58304
C155	Bearing, thrust .155" 1.384" id 2.254" od race to direct housing	1	02-11	n/a	15158-58504
C157	Washer (retainer) .080" 1.97" id 2.34" od snap ring to diaphragm spring	1	02-11	n/a	15158-58804
C158	Bearing, thrust .135" 1.930" id 2.628" od direct housing to race	1	02-11	n/a	15158-59004
C159	Race .032" 2.073" id 2.622" od bearing to intermediate housing	1	02-11	n/a	15158-59204
D161	Bearing, thrust .136" 1.860" id 2.670" od intermediate housing to race	1	02-11	n/a	15158-59604
D162	Race .042" 2.003" id 2.819" od bearing to sun gear	1	02-11	n/a	15158-59704
E163	Race .125" 1.380" id 1.970" od rear (front) sun gear to bearing	1	02-11	n/a	15158-60104
E164	Bearing, thrust .0154" 1.342" id 2.046" od race to rear sun gear	1	02-11	n/a	15158-60504
E167	Bearing, thrust .0154" 1.342" id 2.046" od race to rear sun gear	1	02-11	n/a	15158-60504
E168	Race .038" 1.333" id 1.902" od bearing to rear planetary	1	02-11	n/a	15158-60604
E169	Bearing, thrust .155" 1.579" id 2.187" od rear planetary to output shaft	1	02-11	n/a	15158-60904
E170	Race .038" 1.701" id 2.321" od rear planetary to output shaft	1	02-11	n/a	15158-61004
E172	Washer, spacer .071" 1.549" id 2.160" od output shaft yoke (2WD)	1	02-11	sel	15158-61204
E173	Bearing, caged in rear of case	1	02-11	F-233285-1	15158-61504

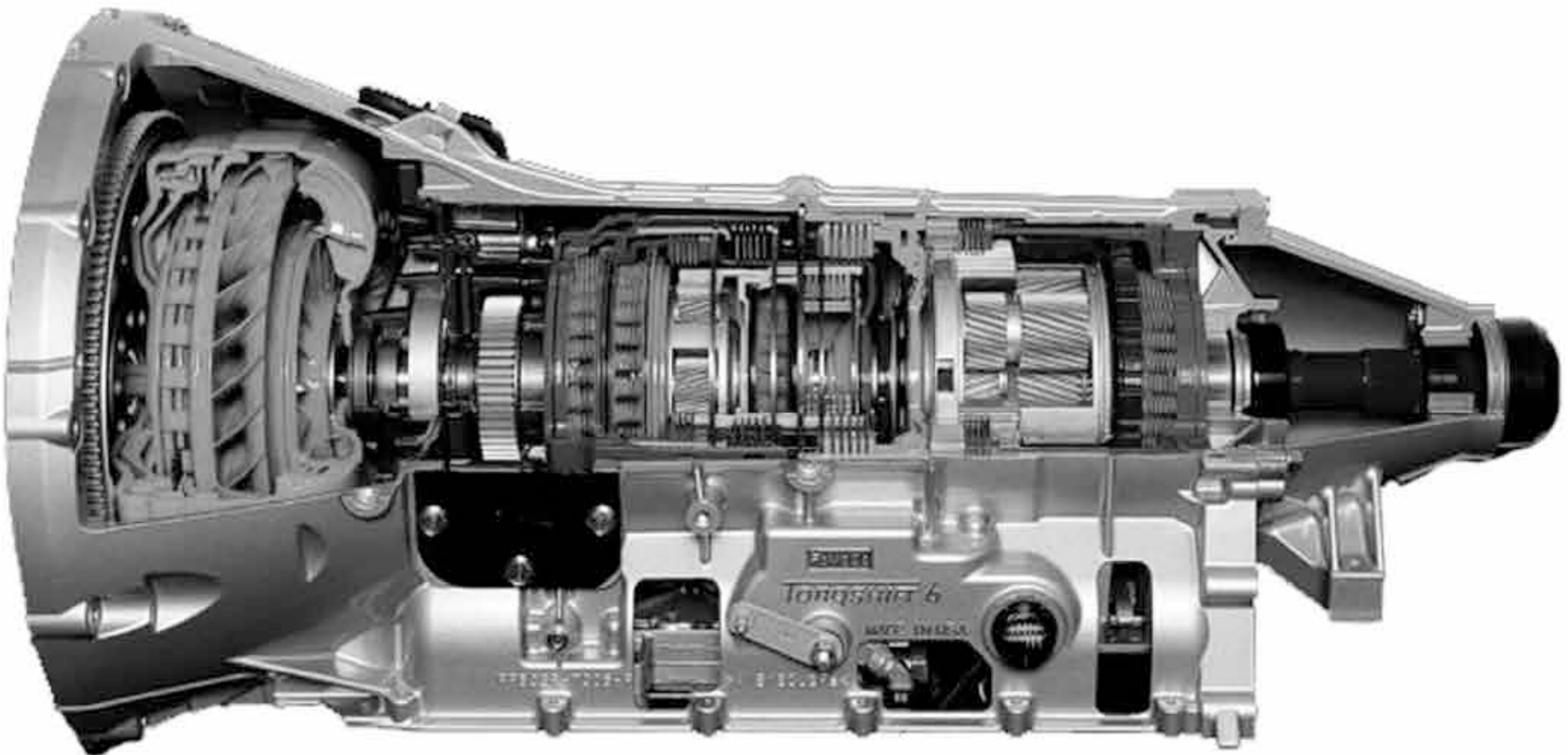
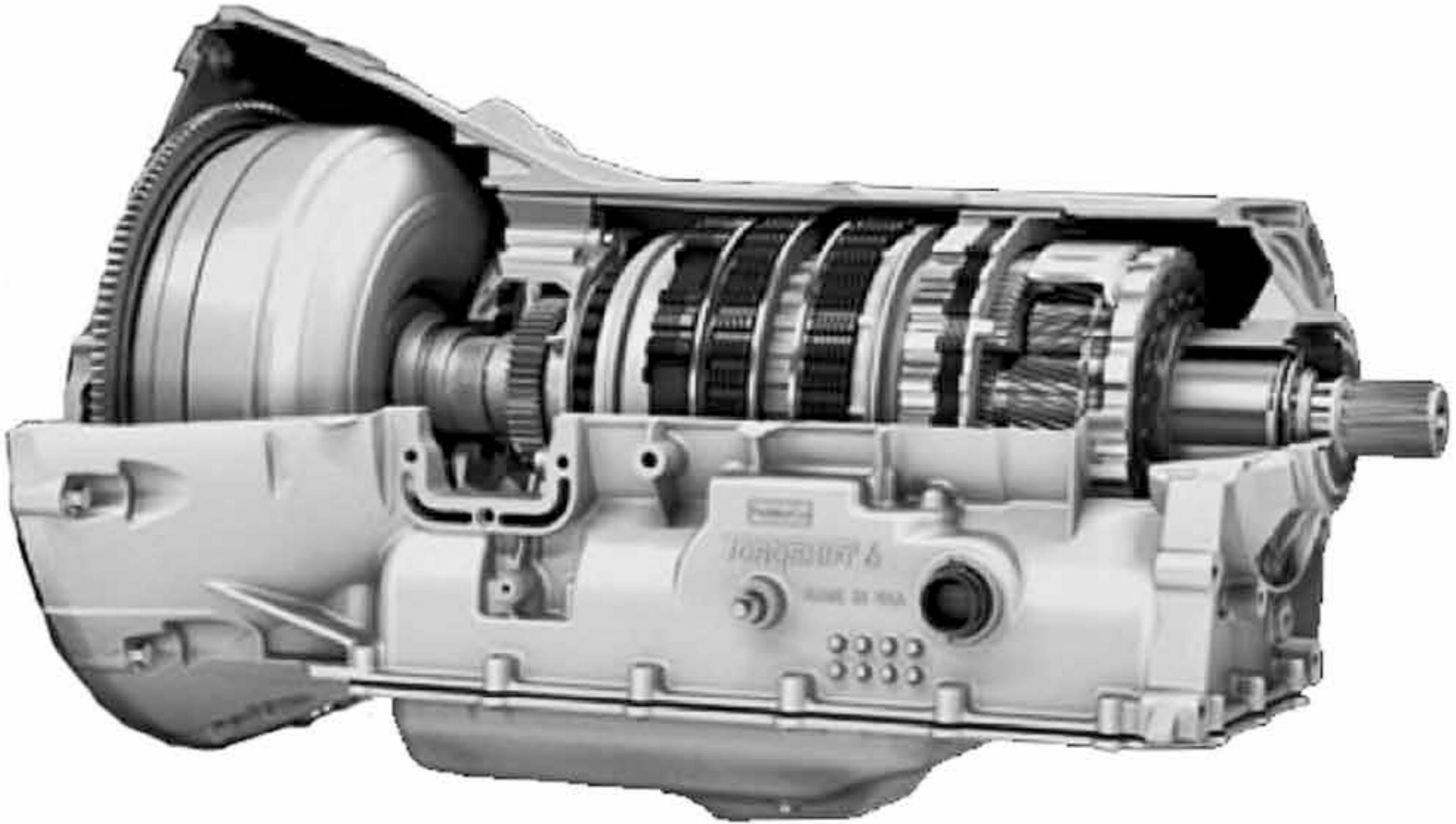
ILL	DESCRIPTION	QTY	YEAR	REFERENCE #	PART #	
WASHERS/BEARINGS/RACES/SHIMS (CONTINUED)						
F180	Washer, spacer .071" 1.549" id 2.160" od	output shaft to bearing	1	02-11	sel	15158-61204
F181	Bearing, thrust .197" 1.565" id 2.315" od	output shaft to sleeve	1	02-11	n/a	15158-62004
SNAP RINGS						
A187	Snap ring .056" 3.0" od 4 tabs (true-arc)	fwd balance piston to diaphragm spring	1	02-11	AE	15158-62303
A189	Snap ring .155" 7.783" od	forward clutch pressure plate	1	02-11	AE	15158-62503
B190	Snap ring .038" 2.900" (waved)	forward hsg to forward/front planetary	1	02-11	AE	15158-62903
B193	Snap ring .095" 1.633" od	od balance piston retainer to od hsg	1	02-11	AE	15158-63303
B194	Snap ring .083" 5.584" od	overdrive clutch pressure plate	1	02-11	AE	15158-63603
C196	Snap ring .099" 7.750" od	direct hub to forward housing	1	02-11	AE	15158-63803
C197	Snap ring .138" 7.750" od	direct clutch pressure plate	1	02-11	AE	15158-64203
C198	Snap ring .056" 2.250" od	inside direct balance piston	1	02-11	AE	15158-64603
C200	Snap ring .096" 2.130" od	direct balance piston to diaphragm spring	1	02-11	AE	15158-64803
D202	Snap ring .181" (beveled both sides)	8.500" od (intermediate housing to case)	1	02-11	AE	15158-65103
D203	Snap ring .123" 7.750" od	intermediate clutch pressure plate	1	02-11	AE	15158-65403
D204	Snap ring .075" 3.700" od	intermediate clutch retainer	1	02-11	AE	15158-65703
E208	Snap ring .076" 7.250" od	output shaft to rear ring gear	1	02-11	AE	15158-66003
E209	Snap ring	caged bearing to ball bearing (2WD)	1	02-11	AE	15158-66203
E210	Snap ring .096" (beveled both sides)	3.0662" od (ball bearing to case 2WD)	1	02-11	AE	15158-66503
F212	Snap ring .096" (beveled both sides)	3.0662" od (spacer to case 4WD)	1	02-11	AE	15158-66503
PUMP PARTS AND PUMPS						
A220	Pump, assembly (w/o front bushing)	1.000" id rear bushing	1	02-11	AE	15158-67003
A220	Pump, assembly (w/o front bushing)	1.180" id rear bushing	1	02-11	AE	15158-67103
A220	Plate, pump	1.180" id rear bushing	1	02-11	AE	15158-70203
A221	Pump body w/gears	vent hole 1.190" od	1	02-11	AE	15158-67503
A221	Pump body w/gears	vent hole .265" od	1	02-11	AE	15158-67603
A222	Gears, pump .550" thickness 3.767" od	17T inner gear 21T outer gear	1	02-11	n/a	15158-68104
A223	Plate, pump	pump body sits in	1	02-11	AE	15158-70003
A223	Plate, pump	pump body sits in	1	02-11	AE	15158-70103
A223	Plate, pump	pump body sits in	1	02-11	AE	15158-70203
A225	Plate, pump channel	between pump plate and stator support	1	02-11	AE	15158-70503
A225	Plate, pump channel	between pump plate and stator support	1	02-11	AE	15158-70603
A226	Support, pump stator (w/o front bushing)	1.000" id rear bushing	1	02-11	AE	15158-68403
A226	Support, pump stator (w/o front bushing)	1.180" id rear bushing	1	02-11	AE	15158-68503
A226	Support, pump stator (w/front bushing)	1.180" id rear bushing	1	02-11	AE	15158-68603
HARD PARTS						
A230	Housing, forward clutch	casting #1068-102-358/0247686-1	1	02-11	AE	15158-72203
A231	Piston, forward clutch 1.485" oh	casting #1068-470-044	1	02-11	AE	15158-72503
A231	Piston, forward clutch	ZF6HP26	1	02-11	AE	15158-72603
A232	Spring, diaphragm .082" 10 fingers	forward clutch (5.633" od)	1	02-11	AE	15158-72803
A233	Piston, forward balance	3 drive slots for 3 pinion planetary	1	02-11	AE	15158-73003
A233	Piston, forward clutch (balance)	4 drive slots for 4 pinion planetary	1	02-11	AE	15158-73203
B235	Gear, sun forward 2.567" od 37T	1 id groove	1	02-11	AE	15158-73503
B236	Planetary, forward front 3 pinion gears	3 sets 6T drive teeth	1	02-11	AE	15158-73703
G236	Planet, forward front 4 pinion gears 16T	4 sets 6T drive teeth	1	02-11	Ae	15158-73903
B237	Slinger, oil dam	4 tabs 4 oil tubes	1	02-11	1070-332-063	15158-74103
B238	Housing, od (w/turbine shaft ring gear)	bushing surface by splines 2 sealing rings	1	02-11	AE	15158-74503
B238	Housing, od (w/turbine shaft ring gear)	no bushing surface on shaft 3 seal rings	1	02-11	AE	15158-74603
B239	Piston, overdrive clutch 1.340" oh	casting #1068-471-037	1	02-11	AE	15158-75003
B240	Spring, diaphragm .079" 10 fingers	overdrive clutch (4.489" od)	1	02-11	AE	15158-75203
B241	Piston, overdrive balance	ZF6HP26	1	02-11	AE	15158-75403
C243	Hub, overdrive w/shaft	ZF6HP26	1	02-11	AE	15158-75603
C243	Hub, overdrive w/shaft .925" od 29 splines	ZF6HP26	1	02-11	AE	15158-75703
C244	Hub, forward clutch w/shaft 1.306" od	41 splines	1	02-11	AE	15158-75903

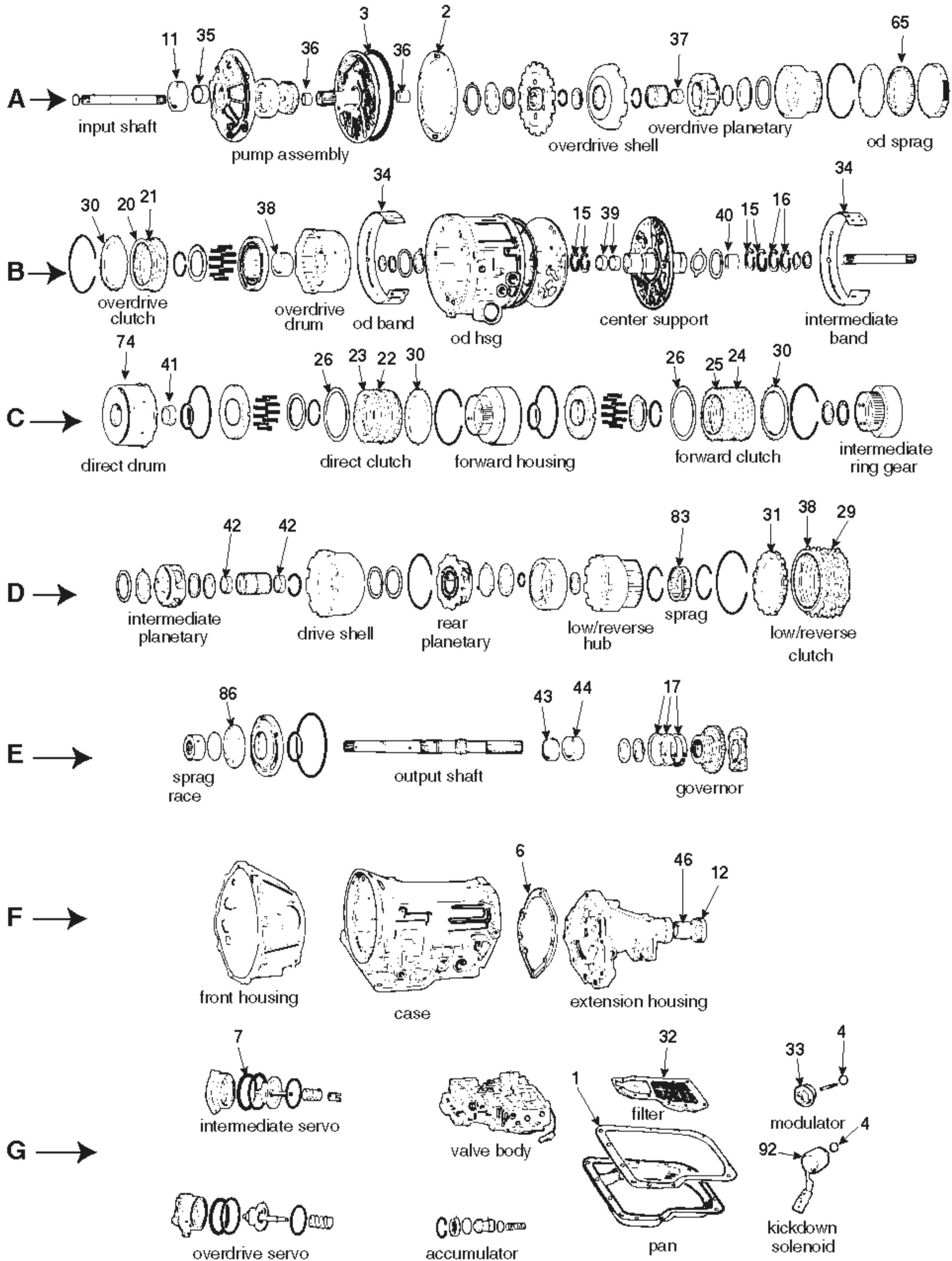
ZF6HP26

ZF6HP26

ILL	DESCRIPTION	QTY	YEAR	REFERENCE #	PART #	
HARD PARTS (CONTINUED)						
C245	Hub, direct clutch	ZF6HP26	1	02-11	AE	15158-76103
C246	Spring, diaphragm .079" 10 fingers	4.865" od	1	02-11	AE	15158-76503
C248	Piston, balance direct clutch	casting #1068-472-035	1	02-11	AE	15158-76703
C249	Piston, direct clutch	aluminum w/steel retainer (pressed on)	1	02-11	AE	15158-76903
C250	Housing, direct clutch 1.773" od	56 splines	1	02-11	AE	15158-77203
D251	Retainer, intermediate clutch	ZF6HP26	1	02-11	AE	15158-77503
C252	Spring, diaphragm .082" 6.948" od	12 fingers	1	02-11	AE	15158-77803
D253	Piston, intermediate clutch .737" oh	casting #1068-475-014	1	02-11	AE	15158-78003
D253	Piston, intermediate clutch	ZF6HP26	1	02-11	AE	15158-78203
D254	Housing, intermediate clutch	casting #1068-475-014	1	02-11	AE	15158-78503
D254	Housing, intermediate clutch	ZF6HP26	1	02-11	AE	15158-78703
D256	Piston, low/reverse clutch	E stamped on it	1	02-11	AE	15158-79003
D256	Piston, low/reverse clutch	ZF6HP26	1	02-11	AE	15158-79203
D257	Piston, balance low/reverse clutch	casting #1068-473-020	1	02-11	AE	15158-79503
D258	Spring, diaphragm .063" 12 fingers	5.694" od (low/reverse clutch)	1	02-11	AE	15158-79603
D260	Retainer, 2 piece (split type)	low/reverse (large)	1	02-11	AE	15158-79803
D261	Retainer, 2 piece (split type w/2 tabs)	low/reverse (small)	1	02-11	AE	15158-79903
E263	Gear, rear front sun gear 2.877" od 38T	3 id grooves	1	02-11	AE	15158-80103
E264	Gear, rear rear sun gear 2.373" od 31T	bevel to rear	1	02-11	AE	15158-80503
E265	Planetary, rear 23T on split pinions	24T on short pinion gears	1	02-11	AE	15158-81003
E266	Gear, output ring 85T	with 40T exciter	1	02-11	AE	15158-81503
E268	Shaft, output (w/park gear 2WD)	bolt-on yoke	1	02-11	AE	15158-82003
E268	Shaft, output direct mount	w/park gear (AWD)	1	02-11	AE	15158-82303
E268	Shaft, output direct mount 8.750" oh	w/park gear 4WD	1	02-11	AE	15158-82503
E269	Yoke, drive	3 bolt u-joint 2WD	1	02-11	AE	15158-82603
E269	Yoke, drive	4 bolt u-joint 2WD	1	02-11	AE	15158-82703
F275	Spacer, aluminum	4WD/AWD	1	02-11	AE	15158-82803
G283	Pan metal	ZF6HP26	1	02-11	AE	15158-82904
G288	Roll, detent spring	ZF6HP26	1	02-11	AE	15158-83003
G289	Cone, rooster	ZF6HP26	1	02-11	AE	15158-83103
G290	Spacer	manual lever shaft	1	02-11	AE	15158-83203
G291	Pin, roll	rooster cone lock	1	02-11	AE	15158-83304
G292	Shaft, manual lever	ZF6HP26	1	02-11	AE	15158-83404
G301	Spring, park return	ZF6HP26	1	02-11	AE	15158-83903
G302	Pawl, park	ZF6HP26	1	02-11	AE	15158-84003
G303	Pin, park shaft	ZF6HP26	1	02-11	AE	15158-84103
G304	Bolt, park pin	ZF6HP26	1	02-11	AE	15158-84203
G306	Rod, park	ZF6HP26	1	02-11	AE	15158-84303
G308	Bracket, park rod guide	ZF6HP26	1	02-11	AE	15158-84403
G310	Housing seals (plastic)	ZF6HP26 (pump to valve body)	1	02-11	AE	15158-84503
G313	Plate, valve body (bonded)	ZF6HP26	1	06-07	6L2Z-7Z490-A	15158-28804
G313	Plate, valve body (bonded)	# on plate (1068-327-180)	1	01-10	1068-227-052	45158-28904
G313	Plate, valve body (bonded)	# on plate (1068-327-141)	1	01-10	1068-227-035	45158-29004
G313	Plate, valve body (bonded)	# on plate (1068-327-179)	1	01-10	1068-227-051	45158-29104
G313	Plate, valve body (bonded)	# on plate (1068-327-163)	1	01-10	1068-227-047	45158-29204
G313	Plate, valve body (bonded)	# on plate (1068-327-189)	1	01-10	1068-227-053	45158-29304
G314	Valve body w/solenoids	ZF6HP26	1	02-11	AE	45158-84603

6R140 TorqShift Six-Speed Transmission





L/3N71B/E/L4N71B/N4A-EL
45000/B/C

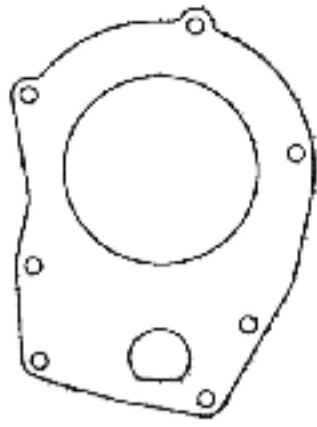
ILL	DESCRIPTION		QTY	YEAR	REFERENCE #	PART #
TECHNICAL MANUALS						
K53	Tech manual N4A-EL dis/assembly	diagnosis/troubleshooting	1	88-92	83-N4AELTM	010-448
K53	Tech manual L4N71B dis/assembly	diagnosis/troubleshooting	1	83-92	83-L4N71BTM	010-417
REBUILDER KITS						
K4	Master deluxe rebuild kit	Nissan/Mazda L/3N71B (w/internal servo)	1	71-87	AE	K4500-R
K4	Master deluxe rebuild kit	Ford L/3N71B (w/external servo)	1	77-82	AE	K4500A-R
K4	Master deluxe rebuild kit	E/L4N71B	1	83-97	AE	K4500B-R
K4	Master deluxe rebuild kit	MazdamN4A-EL	1	88-92	AE	K4500C-R
K5	Master kit w/steels	L/3N71B (w/internal servo)	1	71-87	AE	K4500
K5	Master kit w/steels	L/3N71B (w/external servo)	1	77-82	AE	K4500A
K5	Master kit w/steels	E/L4N71B	1	83-97	AE	K4500B
K5	Master kit w/steels	N4A-EL	1	88-92	AE	K4500C
K6	Master kit w/o steels	L/3N71B (w/internal servo)	1	71-87	AE	K4500-LS
K6	Master kit w/o steels	L/3N71B (w/external servo)	1	77-82	AE	K4500A-LS
K6	Master kit w/o steels	E/L4N71B	1	83-97	AE	K4500B-LS
K6	Master kit w/o steels	N4A-EL	1	88-92	AE	K4500C-LS
K7	O/H gasket set w/seals-rings	L/3N71B (combo)	1	71-82	AE	K45900
K7	O/H gasket set w/seals-rings	E/L4N71B	1	83-97	AE	K45900B
K7	O/H gasket set w/seals-rings	N4A-EL	1	88-92	AE	K45900C
K11	Gasket and seal kit	L/3N71B (combo)	1	71-89	AE	K45900-1
K11	Gasket and seal kit	E/L4N71B	1	83-97	AE	K45900B-1
K11	Gasket and seal kit	N4A-EL	1	88-92	AE	K45900C-1
VALVE BODY KITS						
K15	Shift Kit® 1-2 slide/2-3 spin-up	soft shifts/lock-up	1	88-90	SK® N4AEL	K45908C
K15	Shift correction spring kit	N4A-EL	1	88-90	K005	45962
GASKETS AND RUBBER COMPONENTS						
G1	Gasket, oil pan (14 holes)(Duraprene®)	L/3N71B (w/internal servo/all 4 speeds)	1	71-97	31397-X0102	13100D
G1	Gasket, oil pan (14 holes)(neoprene/cork)	L/3N71B (w/internal servo/all 4 speeds)	1	71-97	31397-X0102	13100X
G1	Gasket, oil pan (17 holes)(neoprene/cork)	L/3N71B (w/external servo)	1	77-82	D7DZ-7A191-A	13100AX
G1	Gasket, oil pan (17 holes)(Duraprene®)	L/3N71B (w/external servo)	1	77-82	D7DZ-7A191-AF	13100AD
A2	Gasket, pump	3N71B (w/o lock-up)	1	71-87	D47Z-7A136-A	13101
A2	Gasket, pump	L3N71B (w/lock-up)	1	80-87	31387-X8600	13101A
A2	Gasket, pump	E/L4N71B/N4A-EL	1	83-97	31366-X8600	13102A
A3	D'ring	L/3N71B/E/L4N71B/N4A-EL (pump to case)	1	71-97	D37Z-7A248-B	13102
G4	O'ring	kickdown solenoid/modulator	2	71-97	31933-X0100	13822
F6	Gasket, extension housing	L/3N71B/E/L4N71B/N4A-EL	1	71-97	D37Z-7086-A	13108
G7	O'ring	3N71B (inter servo w/external cover)	1	71-87	D7DZ-7D026-A	13109
n/i	O'ring	manual lever shaft	1	71-97	E92Z-7F377-B	13104
n/i	O'ring	lockup/TCC and overdrive cancel solenoid	2	83-97	31947-X8600	13105
n/i	O'ring	speedo housing	1	81-97	32710-14600	23861
METAL CLAD SEALS						
A11	Seal, metal clad	front	1	71-97	D37Z-7A248-A	45200
F12	Seal, metal clad 50x35x11mm	Nissan L/3N71B (extension housing)	1	71-87	31336-X0101	45201
F12	Seal, metal clad 48x35x13mm	Mazda/Ford Courier L/3N71B (ext hsg)	1	74-83	0439-17-335A	45201A
F12	Seal, metal clad 50x38x9mm	Nissan E/L4N71B (extension housing)	1	83-97	31336-X8000	45201B
F12	Seal, metal clad 60x38x10mm (w/boot)	Ford L/3N71B (ext hsg 2.380" od)	1	77-87	D5AZ-7052-B	16695E
F12	Seal, metal clad 60x38x12mm	Ford L/3N71B (ext hsg 2.380" od)	1	77-87	3932255	8850B
F12	Seal, metal clad 51x38x13mm	Mazda N4A-EL (extension housing)	1	86-97	M502-17-335A	78202
n/i	Seal, metal clad 62x44x10mm	Nissan E/L4N71B (4WD adapter)	1	87-97	31336-X6901	78205
n/i	Seal, metal clad 65x42x11mm	Mazda N4A-EL (4WD adapter)	1	87-97	M504-17-335	78208
n/i	Seal, metal clad 16x10x4mm	Nissan (speedometer)	1	71-86	32709-14600	64205
n/i	Seal, metal clad 16x10x5.2mm	Nissan (speedometer)	1	87-92	32709-58S00	45202A
n/i	Seal, metal clad 16x7x6mm	Mazda (speedometer)	1	80-97	9958-60-8166	50207

3N71B•L3N71B•4N71B•L4N71B•N4AEL

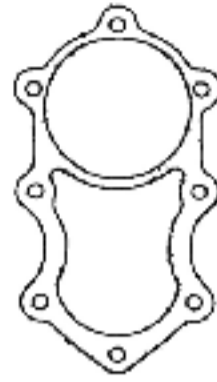
L3N71B•L4N71B•N4AEL

ILL	DESCRIPTION	QTY	YEAR	REFERENCE #	PART #	
SEALING RINGS						
K10	Kit, sealing ring	L/3N71B	1	71-87	AE	K45300
K10	Kit, sealing ring	E/L4N71B	1	83-97	AE	K45300A
B15	Sealing ring (metal)	direct/overdrive clutch drum	2/4	71-97	D37Z-7D019-A	45300
B15	Sealing ring (teflon)	direct/overdrive clutch drum	2/4	71-97	31361-X0100	45300T
B16	Sealing ring (metal)	stator/center supt to fwd/rear clutch hsg	2	71-97	D37Z-7D020-A	45302
B16	Sealing ring (teflon)	stator/center supt to fwd/rear clutch hsg	2	71-97	31362-X0100	45302T
E17	Sealing ring (metal)	governor support	2/3	71-97	D37Z-7D011-A	45301
E17	Sealing ring (teflon)	governor support	2/3	71-97	31487-X8000	45301T
n/i	Sealing ring	lube oil	1	83-84	31673-X8610	45303AT
n/i	Sealing ring	od accum (sm w/1/4" gap for planet lube)	1	85-97	31673-X8682	45304T
n/i	Sealing ring	overdrive accumulator (large)	1	83-97	31672-X8600	45303T
n/i	Ring, lube oil	E/L4N71B	1	83-97	31579-8090	45305
CLUTCH PLATES						
B20	Friction .061" 4.530" od 44T	overdrive clutch	2/4	83-97	31532-X0102	45103
B21	Steel .079" 3.625" id 28T	overdrive clutch	3/4	83-85	BU55-19-499	45101
B21	Steel .063" 3.625" id 28T	overdrive clutch	2	85-97	F101-19-499	65101
B21	Steel .098" 3.625" id 28T	overdrive clutch	sel	85-97	31536-X0101OS	65101X
B21	Steel .032" 3.625" id 28T	overdrive clutch	sel	71-97	31536-X0101US	45101X
C22	Friction .061" 4.530" od 44T	direct clutch	3/5	71-97	D372-7B164-A	45103
C23	Steel .079" 3.625" id 28T	direct clutch	3/5	71-86	D372-7B442-A	45101
C23	Steel .063" 3.625" id 28T	direct clutch	4/6	87-97	31536-X5000	65101
C23	Steel .098" 3.625" id 28T	direct clutch	sel	71-97	31536-X0101OS	65101X
C23	Steel .032" 3.625" id 28T	direct clutch	sel	71-97	31536-X0101US	45101X
C24	Friction .061" 4.530" od 44T	forward clutch	3/6	71-97	31532-X0100	45103
C25	Steel .079" 3.625" id 28T	forward clutch	3/5	71-86	31536-X0101	45101
C25	Steel .063" 3.625" id 28T	forward clutch	4/6	71-86	31536-X5001	65101
C25	Steel .098" 3.625" id 28T	forward clutch	sel	87-97	31536-X0101OS	65101X
C25	Steel .032" 3.625" id 28T	forward clutch	sel	71-97	31536-X0101US	45101X
C26	Steel, dished (not in kits)	direct clutch	1	71-97	31529-X0100	45104-R
C26	Steel, dished (not in kits)	forward clutch	1	71-97	31529-X0100	45104-R
D28	Friction .092" 5.117" od 51T	low/reverse clutch	4/8	71-97	31662-X0102	45102
D29	Steel .071" 4.212" id 13T	low/reverse clutch	4/8	71-97	D37Z-7B442-B	45100
n/i	Steel, dished (not in kit)	low/reverse clutch	1	71-97	D37Z-7D406-A	45105-R
PRESSURE PLATES						
B30	Pressure plate .189"	overdrive clutch	sel	83-97	31567-X2900	65716-R
B30	Pressure plate .197"	overdrive clutch	sel	83-97	31567-X2902	65716A-R
B30	Pressure plate .205"	overdrive clutch	sel	83-97	31567-X2903	65716B-R
B30	Pressure plate .213"	overdrive clutch	sel	83-97	31567-X2905	65716C-R
B30	Pressure plate .327"	overdrive clutch	sel	83-97	31567-X2906	45714-R
B30	Pressure plate .433"	overdrive clutch	sel	83-97	31567-X2907	45714B-R
C30	Pressure plate .189"	direct/forward clutch	sel	71-97	31567-X2900	65716-R
C30	Pressure plate .197"	direct/forward clutch	sel	71-97	31567-X2902	65716A-R
C30	Pressure plate .205"	direct/forward clutch	sel	71-97	31567-X2903	65716B-R
C30	Pressure plate .213"	direct/forward clutch	sel	71-97	31567-X2905	65716C-R
C30	Pressure plate .327"	direct/forward clutch	sel	71-97	31567-X2906	45714-R
C30	Pressure plate .433"	direct/forward clutch	sel	71-97	31567-X2907	45714B-R
D31	Pressure plate .630"	low/reverse	sel	71-97	31667-X0305	45716-R
D31	Pressure plate .470"	low/reverse	sel	71-97	31667-X0302	45716A-R
D31	Pressure plate .410"	low/reverse	sel	71-97	31667-X0303	45716B-R
D31	Pressure plate .330"	low/reverse	sel	71-97	31667-X0304	45716C-R
D31	Pressure plate .325"	low/reverse	sel	71-97	31667-X6205	45716D-R
D31	Pressure plate .315"	low/reverse	sel	71-97	31667-X0500	45716E-R
D31	Pressure plate .300"	low/reverse	sel	71-97	31667-X0100	45716F-R

ILL	DESCRIPTION	QTY	YEAR	REFERENCE #	PART #
PRESSURE PLATES (CONTINUED)					
D31	Pressure plate .290" low/reverse	sel	71-97	31667-X2900	45716G-R
FILTERS					
K9	Kit, filter (w/internal servo)		Nissan/Mazda L/3N71B (neoprene/cork)	1 71-87 AE	FK45800
K9	Kit, filter (w/internal servo)		Nissan/Mazda L/3N71B (Duraprene®)	1 71-87 AE	DK45800
K9	Kit, filter (w/external servo)		Ford L/3N71B (neoprene/cork)	1 77-82 AE	FK45800A
K9	Kit, filter (w/external servo)		Ford L/3N71B (Duraprene®)	1 77-82 AE	DK45800A
K9	Kit, filter		Nissan/Mazda E/L4N71B (neoprene/cork)	1 83-97 AE	FK45800B
K9	Kit, filter		Nissan/Mazda E/L4N71B (Duraprene®)	1 83-97 AE	DK45800B
K9	Kit, filter		Mazda N4A-EL (neoprene/cork)	1 88-92 AE	FK45800C
K9	Kit, filter		Mazda N4A-EL (Duraprene®)	1 88-92 AE	DK45800C
K9	Kit, filter (4wd)(Nissan/Mazda)		E/L4N71B/N4A-EL (neoprene/cork)	1 87-97 AE	FK45800D
K9	Kit, filter (4wd)(Nissan/Mazda)		E/L4N71B/N4A-EL (Duraprene®)	1 87-97 AE	DK45800D
G32	Filter (w/internal servo)		Nissan/Mazda L/3N71B	1 71-87 31728-X0101	45800
G32	Filter (w/external servo)		Ford L/3N71B	1 77-82 D7DZ-7A098-A	45800A
G32	Filter		Nissan/Mazda E/L4N71B	1 83-97 31728-X8600	45800B
G32	Filter		Mazda N4A-EL	1 88-92 BV01-19-815	45800C
G32	Filter (4WD)		Nissan/Mazda E/L4N71B/N4A-EL	1 87-97 BT40-19-815A	45800D
MODULATORS					
G33	Modulator, vacuum			1 71-87 D7DZ-7A377-B	45820A
G33	Modulator, vacuum (w/turbo)		screw in	1 79-87 31931-X0105	45820D
G33	Modulator, vacuum		push in w/bracket	1 88-97 BV04-19-823-A	45820E
BANDS					
B34	Band, flex		overdrive (replaces hard type)	1 71-97 D37Z-7D034-A	45700A
B34	Band, flex		intermediate	1 83-97 D37Z-7D034-A	45700A
BUSHINGS					
K13	Kit, bushing		L/3N71B	1 71-87 AE	K45901
K13	Kit, bushing		E/L4N71B/N4A-EL	1 83-97 AE	K45901A
A35	Bushing		L/3N71B/E/L4N71B/N4A-EL (pump body)	1 71-97 31343-X0100	45005
A36	Bushing .76" id		L/3N71B (stator support front and rear)	1/2 71-97 31353-X0101	45007
A36	Bushing		E/L4N71B/N4A-EL (stator support front)	1 83-97 31532-X6100	45000
n/i	Bushing		E/L4N71B/N4A-EL (stator support middle)	1 83-97 31353-X8600	45001
A36	Bushing		E/L4N71B/N4A-EL (stator support rear)	1 83-97 31354-X6100	45004
A37	Bushing 1.35" od		E/L4N71B/N4A-EL (overdrive sun gear)	2 83-97 31592-X8600	45003
A37	Bushing 1.26" od		E/L4N71B/N4A-EL (overdrive sun gear)	1 83-97 31592-X9000	45010
B38	Bushing		E/L4N71B/N4A-EL (overdrive drum)	1 83-97 31503-X8601	45002
B39	Bushing 1.36" id		E/L4N71B/N4A-EL (center support front)	1 83-97 31388-X8070	45011
B39	Bushing .76" id		E/L4N71B/N4A-EL (center support middle)	1 83-97 31353-X0101	45007
B40	Bushing .76" id		E/L4N71B/N4A-EL (center support rear)	1 83-97 31353-X0101	45007
C41	Bushing		direct clutch drum	1 71-97 31375-X0101	45006
D42	Bushing		L/3N71B (sun gear front and rear wide)	2 71-87 31462-X0101	45009
D42	Bushing		E/L4N71B/N4A-EL (sun gear front/rear nar)	2 83-97 31462-X6100	45013
E43	Bushing		L/3N71B/E/L4N71B/N4A-EL (case front nar)	1 71-97 31375-X0101	45012
E44	Bushing		L/3N71B/E/L4N71B/N4A-EL (case rear wide)	1 71-97 31373-X0101	45008
F46	Bushing (babbit)		L/3N71B (extension hsg w/external servo)	1 71-87 B3TZ-7A034-A	6014
F46	Bushing		L/3N71B (extension hsg w/internal servo)	1 71-87 31332-X0100	45014
F46	Bushing		E/L4N71B/N4A-EL (extension housing)	1 83-97 31332-X8000	78008
WASHERS/BEARINGS/RACES/SHIMS					
n/i	Washer, thrust .065"		stator/center support to direct drum	1 71-97 D37Z-7D014-G	45400B
n/i	Washer, thrust .077"		stator/center support to direct drum	1 71-97 D37Z-7D014-A	45400C
n/i	Washer, thrust .085"		stator/center support to direct drum	1 71-97 D37Z-7D014-B	45400D
n/i	Washer, thrust .093"		stator/center support to direct drum	1 71-97 D37Z-7D014-C	45400E
n/i	Washer, thrust .097"		stator/center support to direct drum	1 71-97 D37Z-7D014-D	45400F



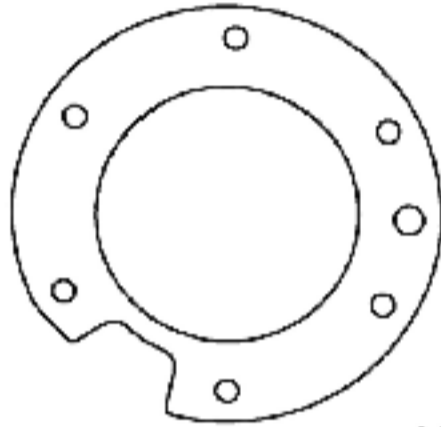
13590



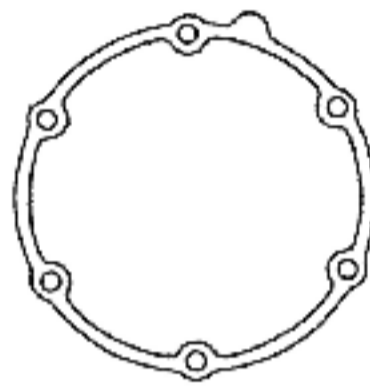
13592A



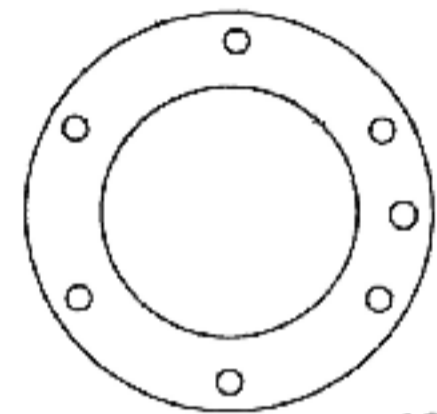
13592



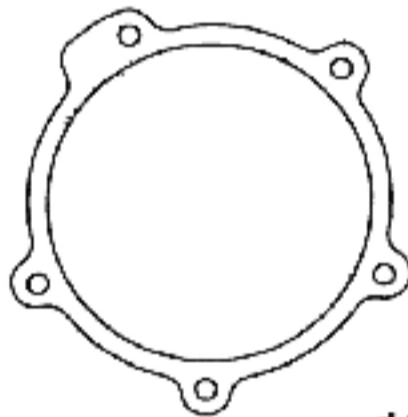
13591



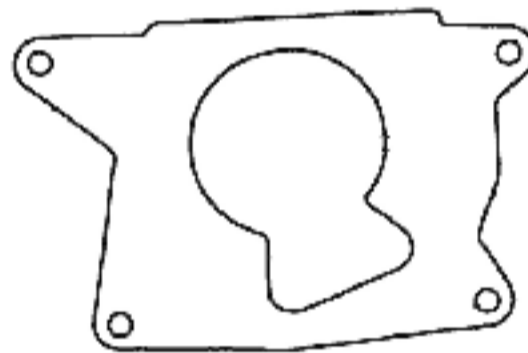
13589



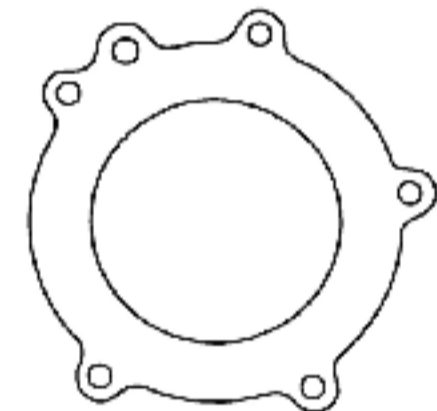
13593



13595

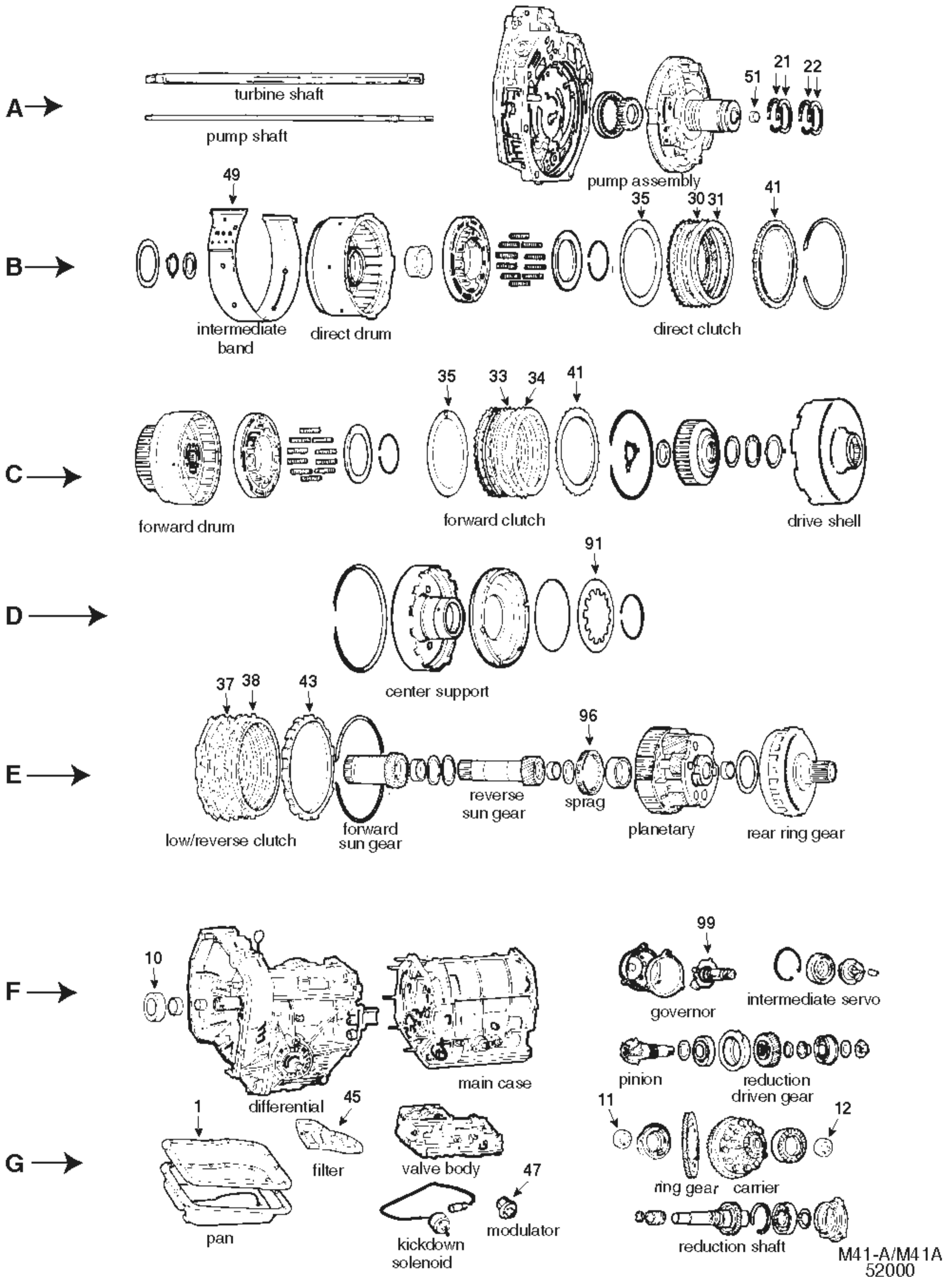


13596



13594

DESCRIPTION		Qty	Year	PART #
TRANSFER CASE ADAPTER GASKETS				
Gasket, transfer case adapter	NP203 - CHEVROLET/GMC, DODGE	1	1969-79	13590
Gasket, transfer case adapter	NP205 - CHEVROLET/GMC, (w/o TH400) FORD, DODGE	1	1969-Up	13592
Gasket, transfer case adapter	NP205 - CHEVROLET/GMC, (w/TH400)	1	1979-Up	13592A
Gasket, transfer case adapter	NP203/NP205 - FORD (w/direct mounting)	1	1974-Up	13591
Gasket, transfer case adapter	NP208/NP241 - CHEVROLET/GMC	1	1980-Up	13589
Gasket, transfer case adapter	NP208/BW1345/BW1356 - AMC, DODGE, FORD	1	1980-Up	13593
Gasket, transfer case adapter	NP207/NP231 - CHEVY/GMC "S" SERIES w/TH700-R4	1	1983-Up	13595
Gasket, transfer case adapter	BW QUADRATRAC - JEEP (except CJ series)	1	1974-79	13596
Gasket, transfer case adapter	BW1350 - FORD	1	1980-Up	13594



ILL	DESCRIPTION		QTY	YEAR	REFERENCE #	PART #
TECHNICAL MANUALS						
K53	Tech manual 3 speed dis/assembly	diagnosis/troubleshooting	1	75-94	83-SUBA3TM	010-425
REBUILDER KITS						
K4	Master deluxe rebuild kit	w/o transfer case plates	1	75-82	AE	K5200-R
K4	Master deluxe rebuild kit	w/o transfer case plates	1	83-84	AE	K5200A-R
K4	Master deluxe rebuild kit	w/o transfer case plates	1	85-94	AE	K5200B-R
K5	Master kit w/steels	w/o transfer case plates	1	75-82	AE	K5200
K5	Master kit w/steels	w/o transfer case plates	1	83-84	AE	K5200A
K5	Master kit w/steels	w/o transfer case plates	1	85-94	AE	K5200B
K6	Master kit w/o steels	w/o transfer case plates	1	75-82	AE	K5200-LS
K6	Master kit w/o steels	w/o transfer case plates	1	83-84	AE	K5200A-LS
K6	Master kit w/o steels	w/o transfer case plates	1	85-94	AE	K5200B-LS
K7	O/H gasket set w/seals-rings	2WD only	1	75-82	AE	K52900
K7	O/H gasket set w/seals-rings	2WD and 4WD	1	83-94	AE	K52900A
K11	Kit, gasket/seal	All	1	75-94	AE	K52900A-1
GASKETS AND RUBBER COMPONENTS						
G1	Gasket, oil pan	13 bolt neoprene/cork	1	75-82	34539-3600	13615X
G1	Gasket, oil pan	13 bolt Duraprene®	1	75-82	34539-3600F	13615D
G1	Gasket, oil pan	14 bolt neoprene/cork	1	83-89	44307-7100	13615AX
G1	Gasket, oil pan	14 bolt Duraprene®	1	83-89	44037-7100F	13615AD
G1	Gasket, oil pan	14 bolt neoprene/cork	1	90-94	31397-AA050	13616X
G1	Gasket, oil pan	14 bolt Duraprene®	1	90-94	31397-AA050F	13616D
METAL CLAD SEALS						
F10	Seal, metal clad 42x60x9mm	converter housing	1	75-94	80674-2110	52203
G11	Seal, metal clad	Subaru right axle	1	75-94	80672-7070	52205
G11	Seal, metal clad 50x30x9mm	right axle (w/turbo)	1	85-94	80673-0031	52205A
G12	Seal, metal clad	left axle	1	75-94	80672-7080	52206
G12	Seal, metal clad 50x30x9mm	left axle (w/turbo)	1	85-94	80673-0032	52206A
n/i	Seal, metal clad 48x32x12mm	stator shaft (rear)	1	75-79	80673-2020	52201
n/i	Seal, metal clad 48x28x14mm	stator shaft (rear)	1	80-82	80672-8030	52201C
n/i	Seal, metal clad 44x28x9mm	stator shaft (rear)	1	82-94	80672-8050	52201B
n/i	Seal, metal clad 42x27x9mm	stator shaft (rear)	1	82-94	80672-8040	52201A
n/i	Seal, metal clad 64x42x12mm	diff/reduction case (output drive gear)	1	75-82	80674-2130	52200
n/i	Seal, metal clad 33x21x6mm	intermediate shaft	2	83-94	80672-1020	52200A
n/i	Seal, metal clad 58x40x6mm	reduction drive gear support-M41A	2	83-94	80674-0030	52208
n/i	Seal, metal clad 40x22x10mm	transmission case/governor	2	75-94	80672-2040	52204
n/i	Seal, metal clad 50x34x11mm	4WD transfer case extension housing	1	83-94	80673-5070	52207
n/i	Seal, metal clad 17.5x12.5x8mm	speedometer shaft (governor)	1	75-94	80671-2030	52202
SEALING RINGS						
K10	Kit, sealing ring	M41/A	1	75-94	AE	K52903
A21	Sealing ring (metal)	direct drum	2	75-94	31361-X0100	45300
A21	Sealing ring (teflon)	direct drum	1	75-94	31361-X0100	45300T
A22	Sealing ring (metal)	forward housing	2	75-94	31362-X0100	45302
A22	Sealing ring (teflon)	forward housing	2	75-94	31362-X0100	45302T
n/i	Sealing ring (teflon)	governor (small)	3	75-94	31879-AA000	52303T
n/i	Sealing ring (metal)	governor support (large)	3	75-94	31880-AA000	45301
n/i	Sealing ring (teflon)	governor support (large)	3	75-94	31880-AA000	45301T
n/i	Sealing ring (metal)	output shaft (4WD transfer case)	1	83-94	31377-AA000	52301
CLUTCH PLATES						
B30	Friction .061" 4.530" od 44T	direct clutch	3/4	75-94	0338-19-500A	45103
B31	Steel .079" 3.625" id 28T	direct clutch	3/4	75-94	45361-0100	45101
C33	Friction .061" 4.530" od 44T	forward clutch	3/4	75-94	45321-0100	45103
C34	Steel .079" 3.625" id 28T	forward clutch	3/4	75-94	45361-0100	45101
C35	Steel, dished (not in kits)	direct/forward clutch	2	75-94	31529-X0100	45104-R

M41-A

M41-A

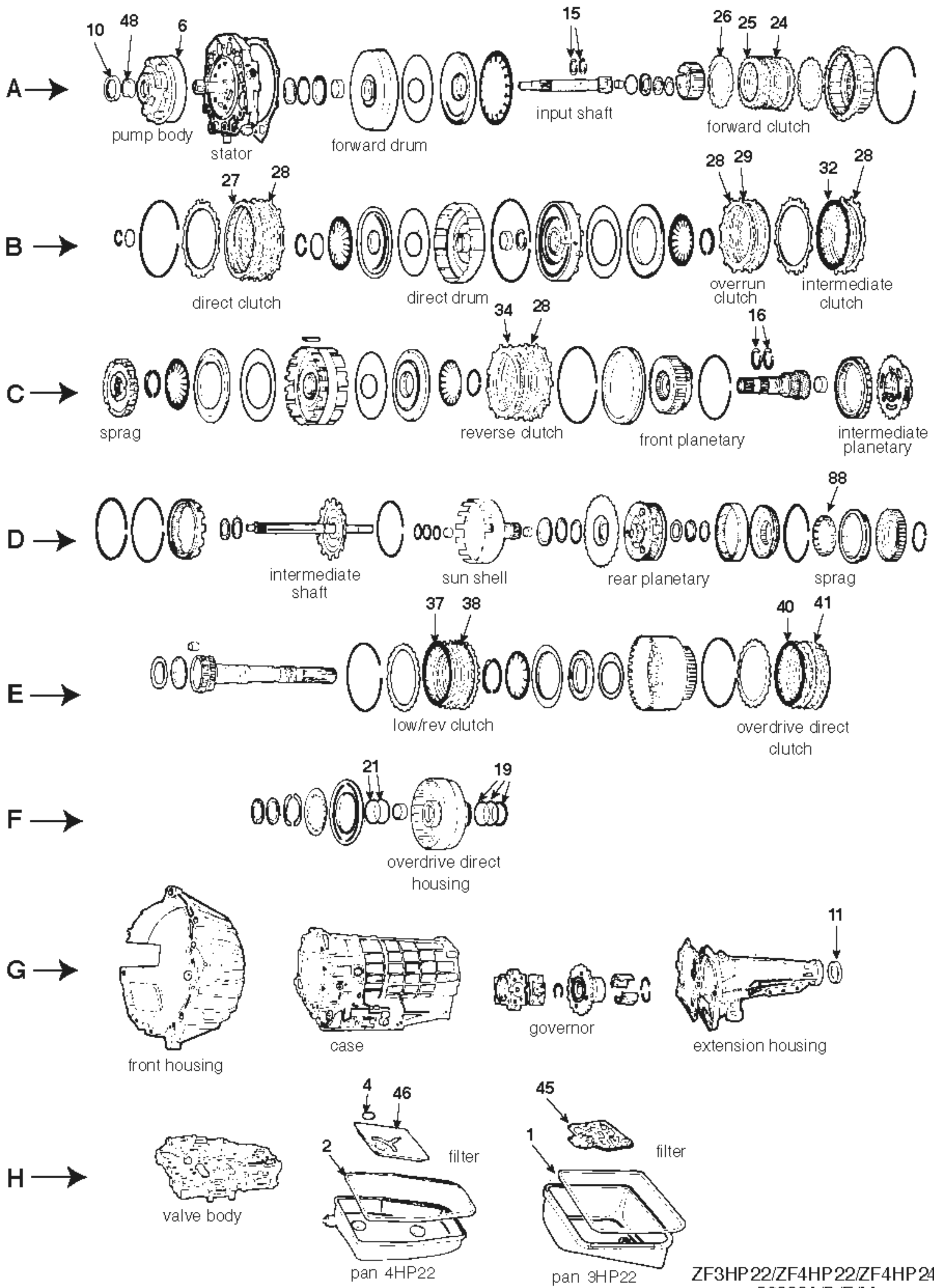
ILL	DESCRIPTION		QTY	YEAR	REFERENCE #	PART #
CLUTCH PLATES (CONTINUED)						
E37	Friction .092" 5.117" od 51T	low/reverse clutch	3/4	75-82	34079-8710	45102
E37	Friction .095" 5.117" od 45T	low/reverse clutch	3/4	83-84	34079-8720	45102A
E37	Friction .095" 5.331" od 48T	low/reverse clutch	5	85-94	31662-AA010	45102B
E37	Friction .091" 5.331" od 48T (not in kit)	low/reverse clutch	5	85-94	31662-AA020	45102C
F38	Steel .071" 4.212" id 13T	low/reverse clutch	4/7	75-82	34425-X8700	45100
E38	Steel drive .071" 4.412" id 13T	low/reverse clutch	4/5	83-84	34425-X8710	45100A
E38	Steel drive .091" 4.665" id 13T	low/reverse clutch	5	85-94	31666-AA010	45100B
n/i	Steel, dished (not in kit)	low/reverse clutch	1	75-94	AE	45105-R
n/i	Friction .114" 3.702" od 33T	transfer case	3/4	83-94	44088-7000	45106
n/i	Steel .071" 2.837" id 48T	transfer case	2/3	83-94	31589-AA000	45107
PRESSURE PLATES						
B41	Pressure plate .205"	direct/forward clutch	sel	75-94	31537-F0620	65716B-R
C41	Pressure plate .213"	direct/forward clutch	sel	75-94	31537-F0621	65716C-R
C41	Pressure plate .189"	direct/forward clutch	sel	75-94	31567-12900	65716-R
E43	Pressure plate .470"	direct/forward clutch	sel	75-94	31667-A4025	45716A-R
E43	Pressure plate .410"	low/reverse clutch	sel	75-94	31667-X0305	46716B-R
FILTERS						
K9	Kit, filter (w/2 pan gaskets)	neoprene/cork	1	75-89	AE	FK52800
K9	Kit, filter (w/2 pan gaskets)	Duraprene®	1	75-89	AE	DK52800
K9	Kit, filter	neoprene/cork	1	90-94	AE	FK52800A
K9	Kit, filter	Duraprene®	1	90-94	AE	DK52800A
G45	Filter (w/internal servo)	Nissan/Mazda	1	75-94	31728-X0100	45800
MODULATORS						
G47	Modulator, vacuum	M41/A	1	75-94	49311-0101	45820A
G47	Modulator, vacuum (w/turbo)	M41/A	1	83-90	31931-AA012	45820D
BANDS						
B49	Band, intermediate (flex)	M41/A	1	75-94	46301-0100	65700
BUSHINGS						
A51	Bushing, oil pump support	M41/A	1	75-89	48489-7000	52006
HARD PARTS						
D91	Spring, diaphragm	M41/A	1	75-84	31651X0101	45318
F99	Gear, governor 11T small nylon	M41/A	1	75-79	44084-7000	52411
F99	Gear, governor 12T steel	M41/A	1	80-94	31888-AA000	52411A
SPRAGS						
E96	Sprag, low/reverse	M41/A	1	75-94	31427-AA001	52503
NOTES						

ENGINE CONVERSION CHART

CU. IN.	LITRE	CYL.	CU. IN.	LITRE	CYL.	CU. IN.	LITRE	CYL.
61	1.0L	3	204	3.3L	L6	350	5.7L	V8
67	1.1L	4	207	3.4L	V6	351	5.8L	V8
73	1.2L	4	215	3.5L	L6	352	5.8L	V8
85	1.4L	4	221	3.6L	V6	354	5.8L	V8
92	1.5L	4	223	3.7L	L6	359	5.9L	V8
96	1.5L	4	225	3.7L	L6	360	5.9L	6/V8
97	1.6L	4	229	3.8L	V6	361	5.9L	V8
98	1.6L	4	230	3.8L	V6	366	6.0L	V8
104	1.7L	4	231	3.8L	V6	368	6.0L	V8
105	1.7L	4	232	3.8L	V6	370	6.1L	V8
107	1.8L	4	239	3.9L	6/V6	379	6.2L	V8
109	1.8L	4	240	3.9L	L6	381	6.2L	V8
110	1.8L	4	241	4.0L	V8	383	6.3L	V8
112	1.8L	4	242	4.0L	L6	389	6.4L	V8
116	1.9L	4	243	4.0L	L6	390	6.4L	V8
119	1.9L	4	245	4.0L	V6	391	6.4L	V8
121	2.0L	4	250	4.1L	6/V6	392	6.4L	V8
122	2.0L	4	252	4.1L	L6	394	6.5L	V8
126	2.1L	4	255	4.2L	V8	396	6.5L	V8
132	2.2L	4	256	4.2L	V8	400	6.6L	V8
133	2.2L	4	258	4.2L	L6	401	6.6L	V8
134	2.2L	4	260	4.3L	V6/V8	402	6.6L	V8
135	2.2L	4	262	4.3L	6/V8	403	6.6L	V8
138	2.3L	4	265	4.3L	V8	406	6.7L	V8
140	2.3L	4	267	4.4L	V8	408	6.7L	V8
144	2.4L	L6	270	4.4L	V6	410	6.7L	V8
146	2.4L	L6	273	4.5L	V8	413	6.8L	V8
150	2.5L	4	280	4.6L	V8	420	6.9L	V8
151	2.5L	4	283	4.6L	V8	421	6.9L	V8
153	2.5L	4	289	4.7L	V8	425	7.0L	V8
156	2.6L	4	292	4.8L	L6	426	7.0L	V8
159	2.6L	4	300	4.9L	6/V8	427	7.0L	V8
170	2.8L	L6	301	4.9L	V8	428	7.0L	V8
171	2.8L	V6	302	5.0L	V8	429	7.0L	V8
173	2.8L	V6	304	5.0L	V8	430	7.0L	V8
177	2.9L	L6	305	5.0L	V8	432	7.1L	V8
179	2.9L	V6	307	5.0L	V8	440	7.2L	V8
181	3.0L	V6	312	5.1L	V8	446	7.3L	V8
183	3.0L	L6	318	5.2L	V8	454	7.4L	V8
189	3.1L	L6	326	5.3L	V8	455	7.5L	V8
190	3.1L	L6	327	5.3L	V8	460	7.5L	V8
194	3.2L	L6	330	5.4L	V8	472	7.7L	V8
195	3.2L	V6	331	5.4L	V8	475	7.8L	V8
196	3.2L	V6	332	5.4L	V8	477	7.8L	V8
198	3.2L	L6	340	5.6L	V8	500	8.2L	V8
200	3.3L	6/V6	341	5.6L	V8			
201	3.3L	L6	348	5.7L	V8			

NOTE: For any engine not listed above, use the following multipliers for proper conversion:

CC to CU. IN. -- Multiply by .061395
 CU. IN. to CC -- Multiply by 16.38703
 CU. IN. to LITERS -- Multiply by .016395
 LITERS to CU. IN. -- Multiply by 61.025



ZF3HP 22/ZF4HP 22/ZF4HP 24-A
56000A/D/E/M

ILL	DESCRIPTION	QTY	YEAR	REFERENCE #	PART #
TECHNICAL MANUALS					
K53	Tech manual ZF4HP22 dis/assembly diagnosis/troubleshooting	1	84-04	83-ZF4HP22TM	010-420
REBUILDER KITS					
K5	Master kit w/steels 4HP22	1	84-02	AE	K5600D
K5	Master kit w/steels 4HP24	1	88-04	AE	K5600E
K5	Master kit w/steels Audi Quattro 4HP24A	1	89-94	AE	K5600M
K6	Master kit w/o steels 4HP22	1	84-02	AE	K5600D-LS
K6	Master kit w/o steels BMW V12 850 series 4HP24	1	88-04	AE	K5600E-LS
K6	Master kit w/o steels Audi Quattro 4HP24A	1	89-94	AE	K5600M-LS
K7	O/H gasket set w/seals-rings 4HP22/24	1	84-04	AE	K56900D
K7	O/H gasket set w/seals-rings 4HP24A	1	84-94	AE	K56900M
note	not in kits valve body gaskets for Volvo 740/760 fix add extra holes in gaskets				
VALVE BODY KITS					
K15	Shift Correction Package 4HP22 (forward clutch repair)	1	84-04	K4HP22	K56908A
GASKETS AND RUBBER COMPONENTS					
H2	Gasket, oil pan (molded rubber) 4HP22/24	1	84-04	24-11-1-215-488	13630R
H4	O'ring 4HP22/24 (filter to valve body)	1	84-04	24-31-1-218-570	23076
A6	O'ring 4HP22/24 (pump)	1	84-04	24-31-1-217-133	23059
METAL CLAD SEALS					
A10	Seal, metal clad 40x52x7mm 4HP22 (front)	1	84-04	24-31-1-207-621	56200D
G11	Seal, metal clad 4HP22/24 (extension housing)	1	84-04	24-11-1-207-426	56201B
G11	Seal, metal clad (w/o boot) Lincoln 4HP22 (extension housing)	1	84-85	E2ZZ-7052-A	27695
n/i	Seal, metal clad 22/4HP22 (manual lever shaft)	1	84-04	24-34-1-207-430	56202
SEALING RINGS					
K10	Kit, sealing ring-complete ZF4HP22/24	1	84-04	AE	K56300D
A15	Sealing ring ZF4HP22 (input shaft)	2	84-04	24-21-1-216-345	56303
C16	Sealing ring ZF4HP22 (sun gear shaft)	2	84-04	24-21-1-216-358	56304
n/i	Sealing ring 4HP22 (2nd gear planetary)	1	84-04	24-24-1-217-184	56306
F19	Sealing ring (viton rubber) 4HP22 (governor)	3	84-04	24-23-4-217-141	56305
F21	Sealing ring overdrive direct drum	2	84-04	24-23-1-217-140	56302
n/i	Sealing ring ZF4HP22 (direct clutch B drum)	1	84-04	24-23-1-215-840	56301
CLUTCH PLATES					
A24	Friction .061" 3.931" od 34T ZF4HP22 (forward clutch)	4/5	84-04	1043-202-183	56103A
A24	Friction .061" 5.042" od 40T ZF4HP24 (forward clutch)	4/5	84-04	1043-202-189	56104
A25	Steel .071" 3.000" id 24T ZF4HP22 (forward clutch)	5/6	84-04	1043-302-046	56100
A25	Steel .083" 4.213" id 24T ZF4HP24 (forward clutch)	4/6	84-04	24-23-1-215-453	56101B
A25	Steel .060" 3.000" id 24T ZF4HP22 (forward clutch)	sel	84-04	1043-302-128	56100B
A25	Steel .047" 3.000" id 24T ZF4HP22 (forward clutch)	sel	84-04	1043-302-123	56100C
A26	Steel .040" 3.000" id 24T (waved) ZF4HP22 (forward clutch)	2	84-04	1043-302-001	56105
A26	Steel .055" 4.213" id 24T (waved) ZF4HP24 (forward clutch)	2	84-04	1043-330-140	56105A
B27	Friction .059" 5.629" od 24T ZF4HP24 (direct clutch)	4/5	84-04	1043-202-041	56102A
B28	Steel .071" 4.728" id 12T Ford/Volvo/Peugeot (direct clutch)	3/4	84-04	0301-302-037	56101
B28	Steel .082" 4.690" id 12T BMW/Rover/Jaguar (direct clutch)	4	84-04	1043-302-021	56101F
B28	Steel .047" 4.690" id 12T ZF4HP22(direct clutch)	sel	84-04	0301-317-013	56101C
B28	Steel .047" 4.690" id 12T (waved) ZF4HP22 (direct clutch)	sel	84-04	1043-302-036	56101D
B28	Steel .158" 120mm 12T ZF4HP22 (direct clutch)	sel	84-04	24-23-1-217-334	56101G
B29	Friction .059" 5.629" od 24T ZF4HP22 (intermediate clutch)	2	84-04	1043-202-041	56102A
B29	Friction .063" 5.625" od 48T ZF4HP24 (intermediate clutch)	5	84-04	1043-217-009	56106A
B28	Steel .071" 4.728" id 12T ZF4HP22/24 (intermediate clutch)	3/4	84-04	24-23-1-205-935	56101
B32	Friction .063" 5.625" od 48T 4HP22 (overrun clutch)	4/5	84-04	1043-217-009	56106A
B32	Friction .061" 5.629" od 58T 4HP24 (overrun clutch)	4/5	84-04	1043-217-015	56102B
B28	Steel .047" 4.690" id 12T ZF4HP22 (overrun clutch)	sel	84-04	0301-317-013	56101C
B28	Steel .047" 4.690" id 12T (waved) ZF4HP22 (overrun clutch)	sel	84-04	1043-302-036	56101D
B28	Steel .060" 4.690" id 12T ZF4HP22 (overrun clutch)	sel	84-04	1043-302-020	56101E

ZF4HP22•ZF4HP24-A

ZF4HP22•24-A

ILL	DESCRIPTION	QTY	YEAR	REFERENCE #	PART #
CLUTCH PLATES (CONTINUED)					
B28	Steel .158" 120mm 12T ZF4HP22 (overrun clutch)	sel	84-04	2423-1-217-334	56101G
B28	Steel .082" 4.690" id 12T ZF4HP24 (overrun clutch)	sel	84-04	24-23-1-209-825	56101F
C34	Friction .063" 5.625" od 48T ZF4HP22 (reverse clutch)	4/5	84-04	24-23-1-205-955	56106A
C34	Friction .061" 5.629" od 58T ZF4HP24 (reverse clutch)	5/6	84-04	1043-217-015	56102B
C28	Steel .047" 4.690" id 12T ZF4HP24 (reverse clutch)	6	84-04	1043-317-040	56101H
C28	Steel .059" 4.690" id 12T ZF4HP24 (reverse clutch)	ar	84-04	1043-317-061	56101J
C28	Steel .071" 4.690" id 12T ZF4HP24 (reverse clutch)	ar	84-04	1043-317-062	56101K
C28	Steel .083" 4.690" id 12T ZF4HP24 (reverse clutch)	ar	87-04	1043-317-063	56101L
E37	Friction .061" 5.042" od 40T 4HP22/24 (overdrive overrun clutch)	4	84-04	24-23-1-215-441	56106B
E38	Steel .059" 5.629" od 24T 4HP22/24 (overdrive overrun clutch)	4	84-04	24-23-1-215-440	56101A
E40	Friction .061" 5.042" od 40T 4HP22/24 (overdrive direct clutch)	4	84-04	24-23-1-215-441	56106B
E41	Steel .083" 4.213" id 24T 4HP24 (overdrive direct clutch)	4	84-04	24-23-1-215-453	56101B
n/i	Friction .062" 4.680" od 18T 4HP24A (transfer case)	6	89-94	n/a	56109
n/i	Steel .082" 2.444" id 12T 4HP24A (transfer case)	6	89-94	n/a	56121
n/i	Steel .082" (holes in teeth) 4HP24A (transfer case bottom)	1	89-94	n/a	56123
FILTERS					
K9	Kit, filter BMW/Lincoln ZF4HP22	1	84-92	AE	FK56800B
K9	Kit, filter Range Rover ZF4HP22	1	88-04	AE	FK56800C
H46	Filter BMW/Lincoln ZF4HP22	1	84-92	24-31-1-218-550	56800B
H46	Filter Range Rover ZF4HP22	1	88-02	1043-226-037	56800C
H46	Filter (w/1" tube) BMW ZF4HP24	1	89-04	24-31-1-218-204	56800E
H46	Filter Porsche 911 tipronic	1	91-98	943-307-011-01	56800D
H46	Filter Audi Quattro ZF4HP24A	1	89-94	1043-226-035	56800M
BUSHINGS					
A48	Bushing .750" (bronze) 4HP22/24 (pump body) lg 2500cc	1	94-04	0501-311-812	56005A
n/i	Bushing Lincoln 4HP22 (extension housing)	1	84-86	D7FZ-7A034-A	16001A
PUMP PARTS AND PUMPS					
A	Body, pump w/gears ZF4HP22 (bushing in body)	1	84-04	AE	56300A-R
A	Body, pump w/gears ZF4HP22 (caged bearing in body)	1	84-04	AE	56300B-R
A	Support, pump w/shaft ZF4HP22 (casting #103)	1	84-04	AE	56400A-R
A	Support, pump w/shaft ZF4HP22 (casting #133)	1	84-04	AE	56400B-R
A	Support, pump w/shaft ZF4HP22 (casting #158)	1	84-04	AE	56400C-R
A	Support, pump w/shaft ZF4HP22 (casting #258)	1	84-04	AE	56400D-R
A	Support, pump w/shaft ZF4HP22 (casting #205)	1	84-04	AE	56400E-R
A	Support, pump w/shaft ZF4HP22 (casting #253)	1	84-04	AE	56400F-R
A	Support, pump w/shaft ZF4HP22 (casting #255)	1	84-04	AE	56400G-R
A	Support, pump w/shaft ZF4HP22 (casting #205)	1	84-04	AE	56400H-R
HARD PARTS					
n/i	Valve body ZF4HP22	1	84-04	AE	56485-R
ELECTRICAL COMPONENTS					
n/i	Kit, solenoid master 4HP22	1	84-04	MS-ZFHP22	25A-040
n/i	Solenoid 4HP22 (shift)	1	84-04	501307869	5A-460
n/i	Solenoid 4HP22 (pressure control)	1	84-04	501206997	5A-461
SPRAGS					
D88	Sprag, overdrive ZF4HP22/24	1	84-04	24-23-1-215-337	56502
n/i	Sprag, low ZFHP22/24 (staked in low planetary)	1	84-04	24-23-1-215-338	56503
NOTES					



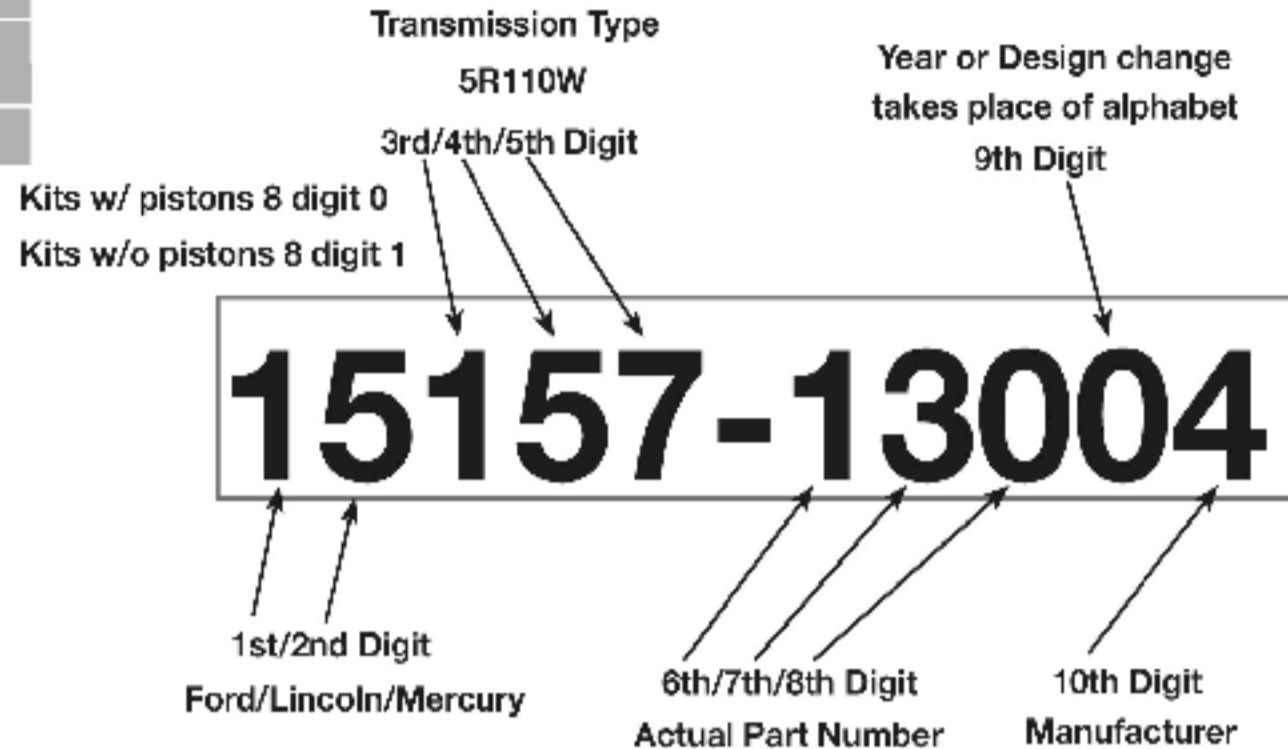
Automatic transmission

10 Digit Numbering System

10 Digit Numbering System

1st/2nd Digit	Vehicle Make
3rd/4th/5th Digit	Transmission Type
6th/7th/8th Digit	Actual Part Number
9th Digit	Year or Design Change
10th Digit	Manufacturer/Vendor

This is what a typical number looks like, this one is an O/H gasket set w/seals-rings w/pistons (5R110W)

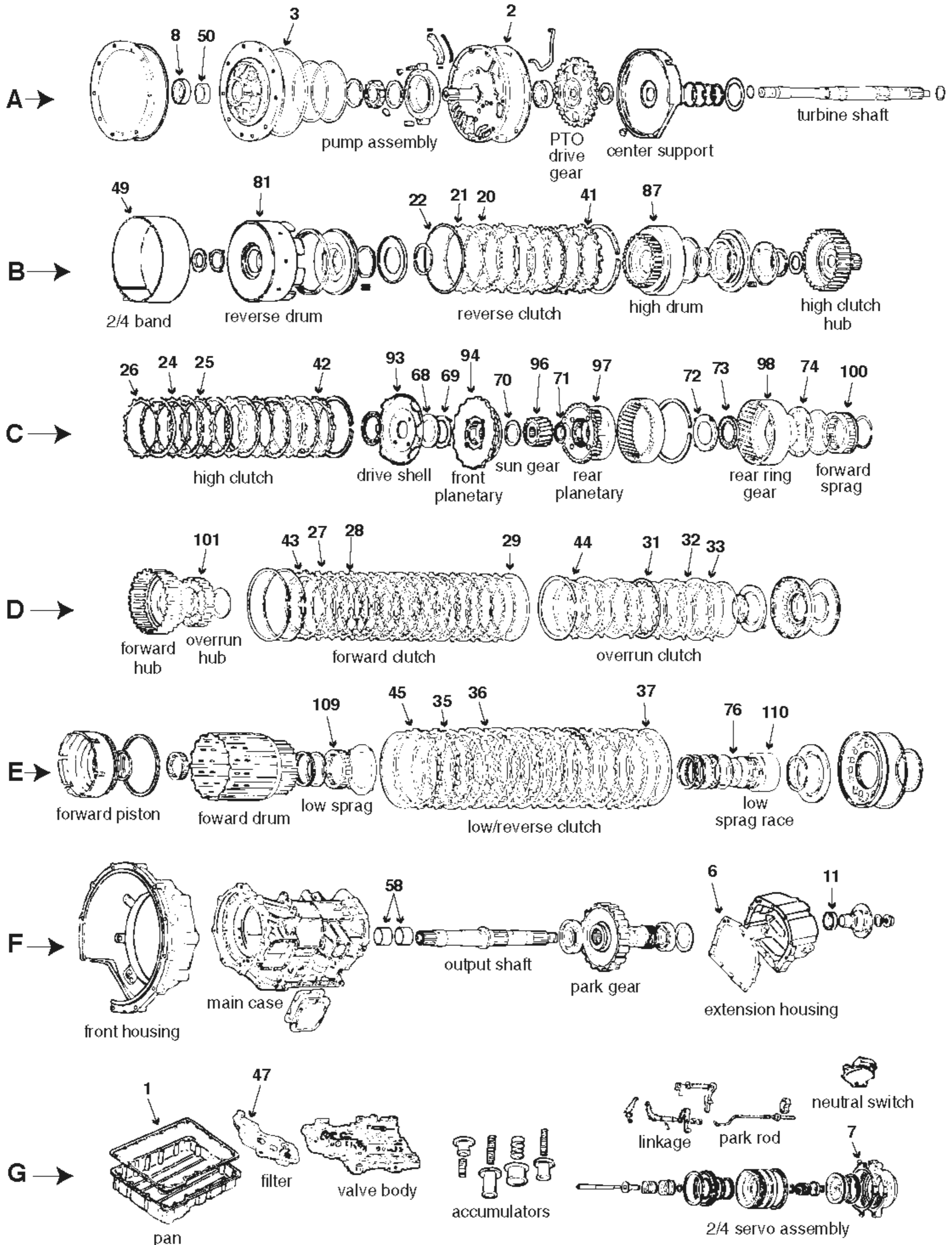


6th/7th/8th Digit	
K4 Master deluxe rebuild kits	100-101
K5 Master kit w/steels	110-119
K6 Master kit w/o steels	120-129
K7 O/H gasket set w/seals-rings	130-139
K8 External seal kits	140-149
K11 Gaskets & seals kits	150-159
K13 Valve body gasket sets	160-167
K28 Accumulator D ring kits	168-169
K15 Valve body kits	170-179
Pan gaskets neoprene/cork	180-189
Pan gaskets Duraprene®	190-199
Pan gaskets molded rubber	200-209
O-rings/D rings	210-245
Lip seals	246-279
Gaskets	280-299
Metal clad seals	300-314
K10 Sealing ring kits	315-319
K10 Sealing ring kits (metal)	320-330
K10 Sealing ring kits (Teflon/plastic)	331-350
Friction (lined disc)	351-374
Steel/waved plates	375-410
Pressure plates	411-434
K9 Filter kits neoprene/cork	435-439
K9 Filter kits Duraprene®	440-444
K9 Filter kits molded rubber	445-449
Filters	450-464
Modulator	465-474
Bands	475-484
K13 Bushing kits	500-505
Bushings	506-540
K14 Thrust washer kits	545-550
K12 Thrust bearing kits	551-555
K14 Shim kits	556-560
Thrust washers	561-620
Thrust bearing races	561-620
Snap rings	621-669
Pump/pump parts	670-710
Hard parts	721-849
Electrical	850-939
Sprags	940-960
Pistons, bonded rubber	961-994
Bonded piston kits	995-999

Kits w/ pistons 8 digit 0
Kits w/o pistons 8 digit 1

Vehicle Make	
10 General Motors	74 Lexus
15 Ford/Lincoln/Mercury	75 Mazda
20 Chrysler/Dodge/Jeep/Eagle	78 Mercedes
25 Acura	80 Mitsubishi
30 Alfa Romeo	82 Nissan/Datsun
40 Audi	83 Opel
45 BMW	84 Peugeot
50 Daewoo	85 Porsche
52 Fiat	86 Renault
55 Daihatsu	87 Saab
56 GEO	90 Saturn
60 Honda	91 Sterling
65 Hyundai	92 Subaru
68 Infiniti	93 Suzuki
70 Isuzu	94 Smart
71 Jaguar	95 Toyota
72 Kia	96 Volkswagen
73 Land Rover	97 Volvo

670 Pump assemblies	681 Pump gears	685 Pump stators	675 Pump bodies w/gears
1st/2nd Digit Vehicle Make	3rd/4th/5th Digit Transmission Type	6th/7th/8th Digit Actual Part	9th Digit Year or Design Change
10th Digit 0 OEM	1 Borg/Warner	2 Raybestos	3 Rebuilt/Good Used
4 Aftermarket	5 Superior	6 SPX	7 Transtec
8 Hi-Performance	9 Transgo®		



JR403E/RG4R01A/RMK
33000

ILL	DESCRIPTION		QTY	YEAR	REFERENCE #	PART #
TECHNICAL MANUALS						
K53	Tech manual JR403E dis/assembly	diagnosis/troubleshooting	1	88-98	83-JR403ETM	010-443
REBUILDER KITS						
K5	Master kit w/steels	RG4R01A/JR403E	1	88-98	AE	K3300
K6	Master kit w/o steels	RG4R01A/JR403E	1	88-98	AE	K3300-LS
K7	O/H gasket set w/seals-rings	RG4R01A/JR403E	1	88-98	AE	K33900
VALVE BODY KITS						
K15	Shift Kit®	planet/clutch and band burn up	1	88-98	SK® RE4R01A	K78908
K15	Shift Correction Package	JR403E	1	88-98	KJR403E	S33908
GASKETS AND RUBBER COMPONENTS						
G1	Gasket, oil pan	neoprene/cork	1	88-98	31397-51X00	13138X
G1	Gasket, oil pan	Duraprene®	1	88-98	31397-51X00F	13138D
A2	Gasket, pump to case	RG4R01A/JR403E	1	88-98	94483318	23087
A3	O'ring	pump to case	1	88-98	31526-41X01	23061
F6	Gasket, extension housing	RG4R01A/JR403E	1	88-98	94483334	23088
G7	Gasket, servo cover	RG4R01A/JR403E	1	88-98	31623-51X00	23078
n/i	O'ring	filter to valve body	1	88-98	31526-41X07	23062
n/i	O'ring	case connector	1	88-98	31526-41X04	23082
n/i	O'ring	output speed sensor	1	88-98	31526-41X05	23083
n/i	Gasket	RG4R01A/JR403E	1	88-98	31716-41X01	23494
n/i	Gasket	RG4R01A/JR403E	1	88-98	31717-51X00	23495
n/i	Seal	center support to case	4	88-98	94483324	23467
METAL CLAD SEALS						
A8	Seal, metal clad	front	1	88-98	94483289	68200
F11	Seal, metal clad	Isuzu (extension housing)	1	88-98	94483329	33200
F11	Seal, metal clad	Nissan (extension housing)	1	88-98	32136-02T00	33201
n/i	Seal, metal clad	manual lever shaft	1	88-98	94483246	78210
SEALING RINGS						
K10	Kit, sealing ring	RG4R01A/JR403E	1	88-98	AE	K73300
CLUTCH PLATES						
B20	Friction .075" 6.12" od 64T	reverse clutch	3	88-98	94483445	73106
B21	Steel .079" 5.2" id 40T	reverse clutch	3	88-98	94483440	73107
B21	Steel .110" 5.2" id 40T	reverse clutch	ar	88-98	31536-51X06	73107A
B22	Steel, dished	reverse clutch (cushion)	1	88-98	31535-51X05	73126-R
C24	Friction .062" 6.12" od 64T	high clutch	6	88-98	94483419	73104
C25	Steel .118" 5.2" id 40T (not in kit)	high clutch	6	88-92	94483418	73107B
C25	Steel .079" 5.2" id 40T	high clutch	7	92-98	94483440	73107
C26	Steel, dished	high clutch (cushion)	1	88-98	31535-51X05	73126-R
D27	Friction .079" 6.6" od 50T	forward clutch	7/8	88-98	94483388	73101
D28	Steel .079" 6.1" id 36T	forward clutch	14	88-98	94483387	73100
D29	Steel, dished	forward clutch (cushion)	1	88-98	31535-51X01	73122-R
D31	Friction .079" 6.1" od 20T	overrun clutch	5	88-98	94483399	73103A
D32	Steel .079" 5.36" id 6T	overrun clutch	5	88-98	94483398	73113
D33	Steel, dished (not in kit)	overrun clutch (cushion)	1	88-98	31535-51X02	73123-R
E35	Friction .064" 6.12" od 33T	low/reverse clutch	8	88-98	94483263	73108
E36	Steel .079" 5.48" od 11T	low/reverse clutch	8	88-98	94483262	73114
E37	Steel, dished	low/reverse clutch (cushion)	1	88-98	31535-51X04	73124-R
PRESSURE PLATES						
B41	Pressure plate	reverse clutch	sel	88-98	31537-51X00	73717-R
C42	Pressure plate	high clutch	sel	88-98	31537-51X00	73717-R
D43	Pressure plate	forward clutch	sel	88-98	31537-51X05	73714-R
D44	Pressure plate	overrun clutch	sel	88-98	31537-51X11	73715-R
E45	Pressure plate	low/reverse clutch	sel	88-98	31667-51X00	73716-R

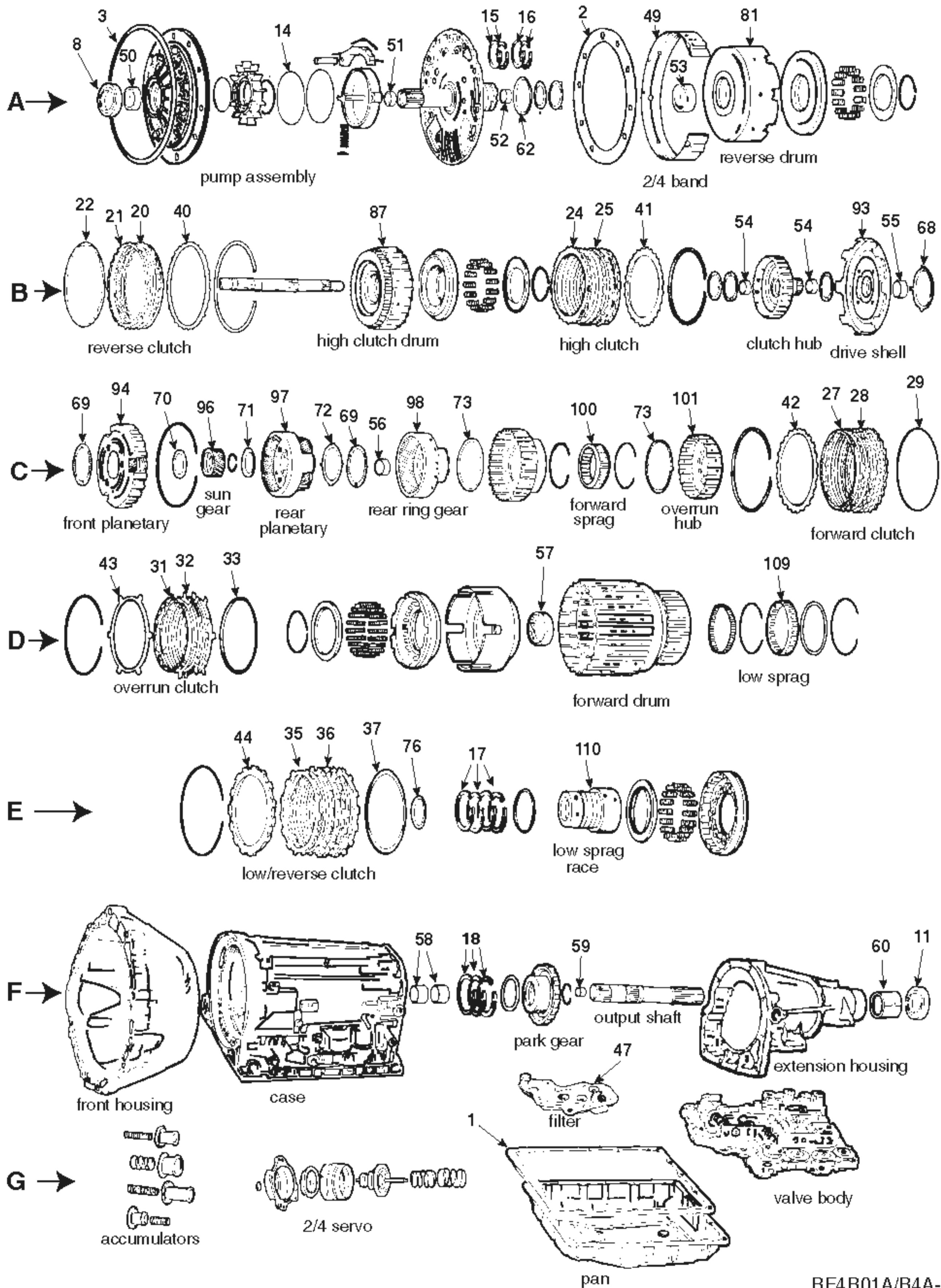
JR403E•RG4R01A

JR403E•RG4R01A

ILL	DESCRIPTION	QTY	YEAR	REFERENCE #	PART #
FILTERS					
K9	Kit, filter neoprene/cork	1	98-98	AE	FK33800
K9	Kit, filter Duraprene®	1	88-98	AE	DK33800
G47	Filter RG4R01A/JR403E	1	88-98	31728-41X03	78800A
BANDS					
B49	Band, flex intermediate	1	88-98	31630-51X02	73700
BUSHINGS					
K13	Kit, bushing RG4R01A/JR403E	1	88-98	AE	K33901
A50	Bushing 2.130" od pump body	1	88-98	31343-21X01	68001
F58	Bushing (1 piece design) case	1	88-98	31405-51X00	73003X
WASHERS/BEARINGS/RACES/SHIMS					
C68	Race, thrust (1st design) drive shell to bearing	1	88-98	31435-51X00	73511-R
C69	Bearing, thrust (open face)(1st design) race to front planetary	1	88-98	n/a	73508-R
C69	Bearing, thrust (1 piece)(2nd design) drive shell to front planet (2nd design)	1	88-98	31407-71X03	73509-R
C70	Bearing, thrust front planetary to sun gear	1	88-98	31455-21X00	73513-R
C72	Race, thrust rear planetary to bearing	1	88-98	31435-71X00	73515-R
C73	Bearing, thrust rear ring gear to support	1	88-98	31407-71X02	68410-R
C74	Washer, thrust rr rg gr to fwd hub/fwd hub to overrun hub	2	88-98	31508-51X08	73407
E76	Bearing, thrust overrun hub to low sprag inner race	1	88-98	31407-51X04	73417-R
PUMP PARTS AND PUMPS					
A	Pump assembly (2-flats on rotor) JR403E/RMK	1	87-98	AE	33200-R
HARD PARTS					
B81	Drum, reverse clutch RG4R01A/JR403E	1	88-98	31511-51X02	73928-R
B87	Drum, high clutch RG4R01A/JR403E	1	88-98	31542-51X00	73925-R
C93	Shell, w/sun gear 40T RG4R01A/JR403E	1	88-98	31460-51X02	73729-R
C94	Planetary (carrier) front	1	88-98	n/a	33747
C96	Gear, sun 44T rear	1	88-98	n/a	33728
C97	Planetary (carrier) rear	1	88-98	n/a	33749
C98	Gear, ring rear internal	1	88-98	n/a	33730
D101	Hub, overrun clutch RG4R01A/JR403E	1	88-98	31591-51X02	73752-R
E110	Race, inner low sprag	1	88-98	31472-51X03	73750A-R
n/i	Gear set, planetary RG4R01A/JR403E	1	88-98	AE	K33950-R
ELECTRICAL COMPONENTS					
n/i	Solenoid set shift A/B and coast and EPC	1	88-98	31940-41X00	5A-500
SPRAGS					
C100	Sprag foward	1	88-98	31484-71X00	73502
E109	Sprag low	1	88-98	31473-51X00	73503
NOTES					

ITEM	DESCRIPTION	PART #
	SEYMOUR PAINT PRODUCTS	
CAST BLAST	CAST BLAST - CAST IRON GRAY - 12 oz. CAN	16-048
SPRAY PAINT	STAINLESS STEEL SPRAY - 13 oz. CAN	16-054
ALUMINUM BLAST	ALUMINUM BLAST -12 oz. CAN	16-055
ENAMEL PAINT	GLOSS BLACK ENAMEL - 12 oz. CAN	16-115
ENAMEL PAINT	DULL ALUMINUM METALLIC ENAMEL - 12 oz. CAN	16-132
ENAMEL PAINT	FLAT BLACK ENAMEL - 12 oz. CAN	16-133
PRIMER	WHITE PRIMER - 12 oz. CAN	16-805
LACQUER	GLOSS BLACK LACQUER - 12 oz. CAN	16-815
PRIMER	BLACK PRIMER	16-828
PRIMER	LIGHT GRAY PRIMER	16-831
LACQUER	SEMI-GLOSS BLACK LACQUER - 12 oz. CAN	16-838
HOT SPOT PAINT	ALUMINUM HOT SPOT - 12 oz. CAN	16-1201
HOT SPOT PAINT	WHITE HOT SPOT - 12 oz. CAN	16-1202
HOT SPOT PAINT	BLACK HOT SPOT - 12 oz. CAN	16-1203
CAST BLAST	CAST BLAST - 1200 DEGREES F	16-2668
CLEANER	INDUSTRIAL GLASS CLEANER - 16 oz. CAN	20-20
UNDERCOAT	QUIET SEAL AUTOBODY UNDERCOAT - 18oz.	20-006
UNDERCOAT	QUIET SEAL RUBBERIZED UNDERCOAT - 24 oz. CAN	20-046
PAINT REMOVER	GRAFFITI/PAINT REMOVER - 12.5 oz. CAN	20-047
CEILING PAINT	CEILING TILE PAINT - OLD WHITE - 16 oz. CAN	20-052
LUBRICANT	SILICONE LUBRICANT - 13 oz. CAN	620-1500
VARNISH	RED INSULATING VARNISH - 16 oz. CAN	620-1525
DEGREASER	NON-FLAMMABLE ELECT. DEGREASER	620-1526
SEALER	TINTED IGNITION SEALER - 11.5 oz. CAN	620-1529
CLEANER	CARB PCV VALVE & CHOKE CLEANER	620-1536
ADHESIVE	ALL PURPOSE ADHESIVE - 14 oz. CAN	620-1539
BRAKE CLEANER	NON-CHLORINATED BRAKE CLEANER - 13 oz. CAN	620-1548
CUTTING OIL	MACHINE TOOL CUTTING OIL 14 oz. CAN	620-1557
LAYOUT INK	TOOLMAKER'S LAYOUT BLUE INK - 15 oz. CAN	620-1558
INK REMOVER	TOOLMAKER'S LAYOUT INK REMOVER - 16 oz. CAN	620-1559
CLEANER	MULTI-PURPOSE CLEANER/DEGREASER - 15 oz. CAN	620-1568
ENGINE PAINT	CHROME ALUMINUM HI-TECH ENGINE PAINT - 12 oz. CAN	EN-41
ENGINE PAINT	UNIVERSAL BLACK HI-TECH ENGINE PAINT - 12 oz. CAN	EN-42
ENGINE PAINT	FORD GRAY HI-TECH ENGINE PAINT 12 oz. CAN	EN-43
ENGINE PAINT	FORD/CHRYSLER RED HI-TECH ENGINE PAINT - 12 oz. CAN	EN-44
ENGINE PAINT	FORD BLUE HI-TECH ENGINE PAINT - 12 oz. CAN	EN-46
ENGINE PAINT	CHEVY ORANGE HI-TECH ENGINE PAINT - 12 oz. CAN	EN-48
ENGINE PAINT	PONTIAC BLUE METALLIC -HI TECH ENGINE PAINT - 12 oz. CAN	EN-57
ENGINE PAINT	AMC BLUE HI-TECH ENGINE PAINT - 12 oz. CAN	EN-66
ENGINE PAINT	GM BLUE HI-TECH ENGINE PAINT - 12 oz. CAN	EN-67
ENGINE PAINT	DULL ALUMINUM HI-TECH ENGINE PAINT 12 oz. CAN	EN-71
EPOXY PAINT	APPLIANCE WHITE EPOXY PAINT - 12 oz. CAN	EP-502
EPOXY PAINT	APPLIANCE ALMOND EPOXY PAINT - 12 oz. CAN	EP-522

Paint



RE4R01A/R4A-EL
78000

ILL	DESCRIPTION		QTY	YEAR	REFERENCE #	PART #
TECHNICAL MANUALS						
K53	Tech manual RE4R01A dis/assembly	diagnosis/troubleshooting	1	88-06	83-RE4R01ATM	010-433
K53	Tech manual RL4R01A dis/assembly	diagnosis/troubleshooting	1	90-04	83-RL4R01ATM	010-457
REBUILDER KITS						
K5	Master kit w/steels	Infinity/Mazda 240SX/PU 2WD	1	88-92	AE	K7800
K5	Master kit w/steels	Mazda 240SX/PU 2WD 1/93-7/93	1	93-99	AE	K7800A
K5	Master kit w/steels	Pathfinder 300ZX/PU 4WD	1	88-92	AE	K7800B
K5	Master kit w/steels (300ZX)	Pathfinder/Infinity/Mazda PU 4WD 8/93-Up	1	93-06	AE	K7800C
K6	Master kit w/o steels	Infinity/Mazda 240SX/PU 2wd	1	88-92	AE	K7800-LS
K6	Master kit w/o steels	Mazda 240SX/PU 2WD 1/93 to 7/93	1	93-99	AE	K7800A-LS
K6	Master kit w/o steels	Pathfinder 300ZX/PU 4WD	1	88-92	AE	K7800B-LS
K6	Master kit w/o steels (300ZX)	Pathfinder/Infinity/Mazda PU 4WD 8/93-Up	1	93-06	AE	K7800C-LS
K7	O/H gasket set w/seals-rings	All	1	88-06	AE	K78900
VALVE BODY KITS						
K15	Shift Kit®	planet, clutch and band burn up	1	88-06	SK® RE4R01A	K78908
K15	Shift Correction Package	valve body repair	1	88-06	KRE4R01A	S78908
GASKETS AND RUBBER COMPONENTS						
G1	Gasket, oil pan	neoprene/cork	1	88-06	31397-43X01	13135X
G1	Gasket, oil pan	Duraprene®	1	88-06	31397-43X01f	13135D
A2	Gasket, pump to case	RE4R01A	1	88-06	31366-41X03	23060
A3	O'ring	RE4R01A (pump to case)	1	88-06	31526-41X01	23061
n/i	Gasket, extension housing	RE4R01A	1	88-06	31338-41X01	23063
n/i	O'ring	RE4R01A (filter to valve body)	1	88-06	31526-41X07	23062
n/i	O'ring	all except Infinity (turbine shaft)	1	90-92	31526-80X01	23085
n/i	O'ring	Infinity RE4R01A (turbine shaft)	1	88-06	31159-X6101	23065
n/i	Gasket	except RX7/929	1	88-06	31716-41X01	23494
n/i	Gasket	except RX7/929	1	92-06	31717-51X00	23495
n/i	Gasket, valve body - upper	RX7/929	1	92-06	BV40-21-156	23496
n/i	Gasket, valve body - lower	RX7/929	1	92-06	BV-40-21-155	23497
	* no gaskets are used on 4 cyl. version	RL4R01A		88-06		
METAL CLAD SEALS						
A8	Seal, metal clad	front	1	88-06	31375-21X00	68200
F11	Seal, metal clad 50x38x9mm	Nissan (extension housing)	1	88-06	31336-X8000	45201B
F11	Seal, metal clad 51x38x13mm	Mazda (extension housing)	1	92-99	M502-17-335A	78202
F11	Seal, metal clad	RX7 only (extension housing)	1	93-96	BV65-19-437	78204
F11	Seal, metal clad	RE4R01A (extension housing)	1	88-06	31395-51X01	78203
n/i	Seal, metal clad 62x44x10mm	Nissan (adapter housing 4wd)	1	88-06	31375-51X01	78205
n/i	Seal, metal clad 65x42x11mm	Mazda (adapter housing 4wd)	1	88-06	M504-17-335	78208
n/i	Seal, metal clad	shift shaft	1	88-06	31375-41X00	78210
n/i	Seal, metal clad 16x7x6mm	Mazda (speedometer)	1	88-06	9958-60-8166	50207
n/i	Seal, metal clad	Nissan (speedometer)	1	88-06	32709-58500	91206
SEALING RINGS						
K10	Kit, sealing ring	RE4R01A	1	88-06	AE	K78300
A14	Sealing ring	pump slide	1	88-06	31363-41X00	78305
A15	Sealing ring	stator to reverse clutch	2	88-06	31313-21X00	68307
A16	Sealing ring	stator to high clutch	2	88-06	31558-21X00	68302
E17	Sealing ring 2.404" od (teflon)	forward and overrun clutch	4	88-06	31525-41X00	78303T
F18	Sealing ring	governor support	3	88-92	31525-48X00	78308T
CLUTCH PLATES						
B20	Friction .079" 5.880" od 34T	reverse clutch (narrow teeth)	2	88-92	31532-41X10	68100A
B20	Friction .079" 5.880" od 30T	reverse clutch (wide teeth)	2	93-06	31532-41X19	78132
B21	Steel .079" 5.356" id 30T	reverse clutch (narrow teeth)	2	88-92	31536-21X00	78136
B21	Steel .079" 5.084" id 30T	reverse clutch (wide teeth)	2	93-06	31536-41X14	78133
B21	Steel .086" 5.084" id 30T (oversized)	reverse clutch	ar	88-92	BV11-19-571 OS	78130

RE4R01A•R4A-EL

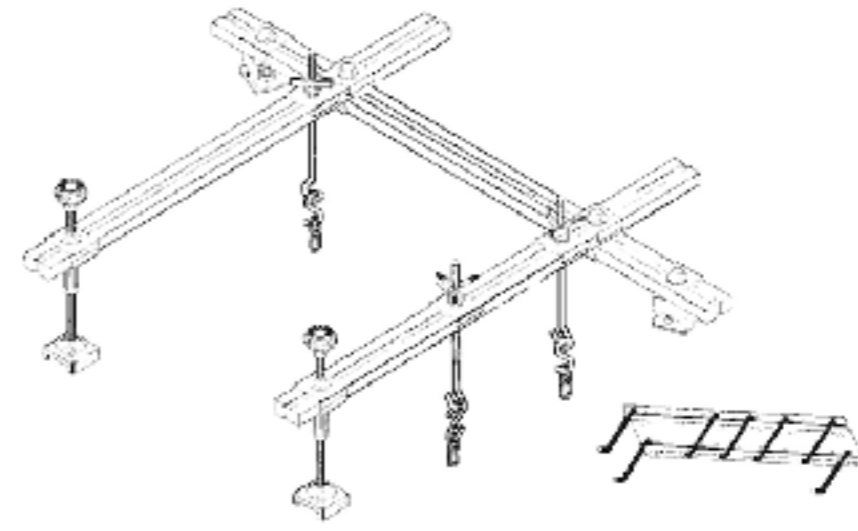
RE4R01A•R4A-EL

ILL	DESCRIPTION	QTY	YEAR	REFERENCE #	PART #	
CLUTCH PLATES (CONTINUED)						
B22	Steel, reverse drum saver	replaces dished steel	1	88-06	ACP-75707XW	78120
B22	Steel, reverse drum saver	replaces dished steel	1	01-06	31535-21X05	78120A
B22	Steel, dished (not in kits)	(not in kits)	1	88-06	31535-41X06	78126-R
B24	Friction .063" 5.233" od 30T	high clutch	3/5	88-06	31532-41X11	78106
B25	Steel .079" 4.414" id 27T	high clutch (929 only)	3/5	89-06	31536-41X03	78107D
B25	Steel .067" 4.414" id 27T	high clutch (all except 929)	4/7	88-06	31536-41X04	78117
B25	Steel .118" 4.414" id 27T	high clutch (929 only)	3	88-96	31536-41X02	78107C
B25	Steel, high-dished	(not in kits)	1	88-06	31535-41X10	78127-R
C27	Friction .079" 5.85" od 36T	Mazda forward 240SX/M30/PU 2WD (88-7/93)	5/7	88-06	31532-41X12	78101
C27	Friction .063" 5.85" od 36T	Mazda forward Path/PU 4WD/300ZX (8/93-Up)	5/7	88-06	31532-41X16	78102
C28	Steel .079" 5.355" id 24T	Mazda forward 240SX/M20/PU 2WD (88-7/93)	5/7	88-06	31536-41X12	78100
C28	Steel .071" 5.355" id 24T	Mazda forward-Path/PU 4WD/300ZX (8/93-Up)	5/7	88-06	31536-41X13	78100A
C29	Steel, dished (not in kits)	forward clutch	1	88-06	31535-41X01	78122-R
D31	Friction .079" 5.259" od 18T	overrun clutch	3	88-06	31532-41X13	78103
D32	Steel .079" 4.705" id 6T	overrun clutch	3/5	98-06	31536-41X10	78113
D32	Steel .086" 4.01" id 6T (oversized)	overrun clutch	ar	98-06	31536-41X10 OS	78112
D33	Steel, dished (not in kits)	(not in kits)	1	88-06	31535-41X03	78123-R
E35	Friction .079" 5.805" od 30T	low/reverse brake (except below)	4/7	88-06	31532-41X14	78104
E35	Friction .061" 5.8" od 30T L/R clutch	low/reverse brake (PU 2WD)	4/6	91-06	31532-41X69	78104A
E36	Steel .079" 5.086" id 14T	low/reverse brake	4/7	88-06	31666-41X01	78114
E36	Steel .051" 5.086" id 14T (undersized)	low/reverse brake	ar	98-06	BV11-19-609 US	78116
E36	Steel .089" 5.086" id 14T (oversized)	low/reverse brake	ar	88-06	BV11-19-609 OS	78118
E37	Steel, dished (not in kits)	(not in kits)	1	88-06	31535-41X08	78124-R
PRESSURE PLATES						
B40	Pressure plate .189" (square teeth)	reverse clutch	sel	88-92	31537-51X00	78717-R
B40	Pressure plate .197" (square teeth)	reverse clutch	sel	88-92	31537-51X00	78717A-R
B40	Pressure plate .209" (square teeth)	reverse clutch	sel	88-92	31537-51X00	78717B-R
B40	Pressure plate .220" (square teeth)	reverse clutch	sel	93-06	31537-42X02	78718-R
B41	Pressure plate 4.414" id 27T	high clutch	sel	88-06	31537-41X61	78719-R
C42	Pressure plate 8.2mm	forward clutch	sel	88-06	31537-41X02	78714-R
C42	Pressure plate 8.4mm	forward clutch	sel	88-06	31537-41X02	78714A-R
C42	Pressure plate 4.1mm	forward clutch	sel	88-06	31537-41X02	78714B-R
C42	Pressure plate 4.3mm	forward clutch	sel	88-06	31537-41X02	78714C-R
C42	Pressure plate 4.5mm	forward clutch	sel	88-06	31537-41X02	78714D-R
C42	Pressure plate 5.0mm	forward clutch	sel	88-06	31537-41X02	78714E-R
D43	Pressure plate 4.5mm	overrun clutch	sel	88-06	31537-41X78	78715-R
D43	Pressure plate 4.3mm	overrun clutch	sel	88-06	31587-41X78	78715A-R
E44	Pressure plate 9.0mm	low/reverse clutch	sel	88-06	31667-41X00	78716-R
E44	Pressure plate 9.2mm	low/reverse clutch	sel	88-06	31667-41X00	78716A-R
E44	Pressure plate 9.0mm	low/reverse clutch	sel	88-06	31667-41X00	78716B-R
E44	Pressure plate 8.8mm	low/reverse clutch	sel	88-06	31667-41X00	78716C-R
E44	Pressure plate 8.6mm	low/reverse clutch	sel	88-06	31667-41X00	78716D-R
E44	Pressure plate 8.4mm	low/reverse clutch	sel	88-06	31667-41X00	78716E-R
E44	Pressure plate 8.2mm	low/reverse clutch	sel	88-06	31667-41X00	78716F-R
E44	Pressure plate 8.0mm	low/reverse clutch	sel	88-06	31667-41X00	78716G-R
FILTERS						
K9	Kit, filter-except below	3/16" tube height	1	88-06	AE	DK78800
K9	Kit, filter-except below	11/16" tube height	1	88-06	AE	DK78800A
K9	Kit, filter-Nissan Pickup/Frontier w/2WD	4 cyl.	1	90-06	AE	DK78800F
K9	Kit, filter-Mazda B2600I	4wd	1	90-93	AE	DK78800E
K9	Kit, filter-Mazda RX7	2wd	1	94-95	AE	DK78800G
K9	Kit, filter-Mazda 9Z9	2wd	1	92-95	AE	DK78800D
G47	Filter, except below	3/16" tube height	1	88-06	31728-41X02	78800

ILL	DESCRIPTION	QTY	YEAR	REFERENCE #	PART #
FILTERS (CONTINUED)					
G47	Filter 11/16" tube height	1	90-06	31728-41X01	78800A
G47	Filter, Nissan PU and Frontier w/2WD	1	90-06	31728-48X01	78800F
G47	Filter, Mazda B2600I	1	90-93	BV50-19-815	78800E
G47	Filter, Mazda RX7	1	94-95	BV65-19-815	78800G
G47	Filter, Mazda 9Z9	1	92-95	BV92-19-815	78800D
BANDS					
A49	Band, intermediate brake 1.500" wide	1	88-98	31630-41X03	78700
A49	Band, intermediate brake 1.500" wide	1	99-06	31630-21X00	68700
A49	Band, intermediate brake 2.360" wide	1	97-06	31630-4AX01	78700A
BUSHINGS					
K13	Kit, bushing	1	88-06	AE	K78901
A50	Bushing 2.130" od	1	88-06	31343-21X01	68001
A51	Bushing 1.04"x .95"x .55" (USA built)	1	88-06	31405-41X02	78002
A51	Bushing .95"x .86" x .72"(Asian built)	1	88-06	31405-41X03	78002A
A52	Bushing	1	88-06	31363-21X01	68004
A53	Bushing	1	88-06	31513-21X00	78009
B54	Bushing	2	88-06	31548-21X01	68006
B55	Bushing	1	88-06	31462-21X04	68007
C56	Bushing	1	88-06	31405-41X07	78011
D57	Bushing	1	88-06	31405-41X05	78006
F58	Bushing, (1 PC design)	1	88-06	31405-41X00	78003X
F59	Bushing	1	88-06	31405-41X06	78010
F60	Bushing	1	88-06	31332-X8000	78008
WASHERS/BEARINGS/RACES/SHIMS					
K12	Kit, thrust bearing/washer	1	88-06	BEARING KIT	K78906
A62	Washer, thrust .035"	sel	88-06	31528-21X01	68400-R
A62	Washer, thrust .051"	sel	88-06	31528-21X03	68400A-R
A62	Washer, thrust .067"	sel	88-06	31528-21X05	68400B-R
B68	Race, thrust	1	88-06	31464-21X00	78411
C69	Bearing, thrust	2	88-06	31435-21X00	78411B
C70	Bearing, thrust	1	88-06	31407-41X08	78412
C71	Bearing, thrust	1	88-06	AE	78416-R
C72	Race, thrust	1	88-06	31435-41X00	78411
C73	Washer, thrust (plastic)	2	88-06	31508-41X00	78414
E76	Bearing, thrust (3 piece design)	1	88-06	31407-41X11	78417
PUMP PARTS AND PUMPS					
A	Pump assembly .945" id	1	88-06	AE	78200-R
A	Pump assembly .945" id	1	88-06	AE	78200A-R
A	Pump assembly .845" id	1	88-06	AE	78200B-R
A	Pump assembly	1	88-06	AE	78200C-R
A	Pump assembly	1	88-06	AE	78200D-R
HARD PARTS					
A81	Drum, reverse clutch	1	88-06	31511-41X01	78928-R
B87	Drum, high clutch	1	88-06	31541-41X00	78925-R
B93	Shell, drive w/sun gear 33T	1	88-06	31460-41X02	78729-R
C94	Planetary, front	1	88-06	31420-41X06	78747-R
C96	Sun gear, rear 37T	1	88-06	31469-41X03	78728-R
C96	Sun gear, rear 42T	1	88-06	31469-41X04	78728A-R
C97	Planetary, rear	1	88-06	31440-41X13	78730-R
C97	Planetary, rear	1	88-06	31440-41X08	78730B-R
C98	Gear, rear ring	1	88-06	31450-41X02	78749-R
C101	Hub, overrun clutch	1	88-06	31591-41X01	78752-R
E110	Race, inner sprag	1	88-06	31472-41X01	78750-R

T-1256 Parts List

The Ultimate Engine Hanger



012-128 front leg (2)



012-127 2-link chain (3)



012-115 bottom bracket w/nut (2)



012-116 shock tower bracket (2)



012-120 s-hook (3)



012-118 j-hook (3)



012-019 shock tower adapter (2)



012-111 3" 1/2" thread bolt (2)



012-112 2" 1/2" thread bolt (2)



012-126 top support bracket (9)



012-125 lower front leg bracket (2)



012-124 thrust bearing (3)



012-121 wall hanger (1)



012-109 square poly plug (12)



012-110 1/2" flat washer (6)



012-123 front leg rubber pad (2)



012-114 1/2" jam nut (2)



012-108 wall hanger peg (7)



012-117 j-hook handle (3)



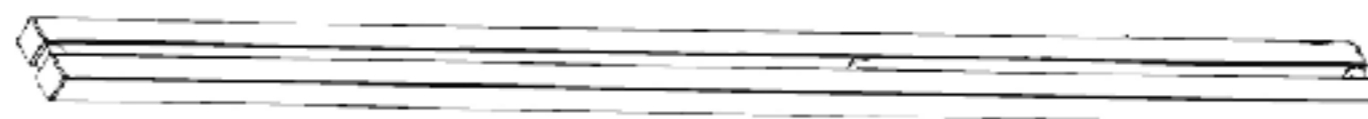
012-113 1/2" hex nut (2)



012-106 side cross bar (2)

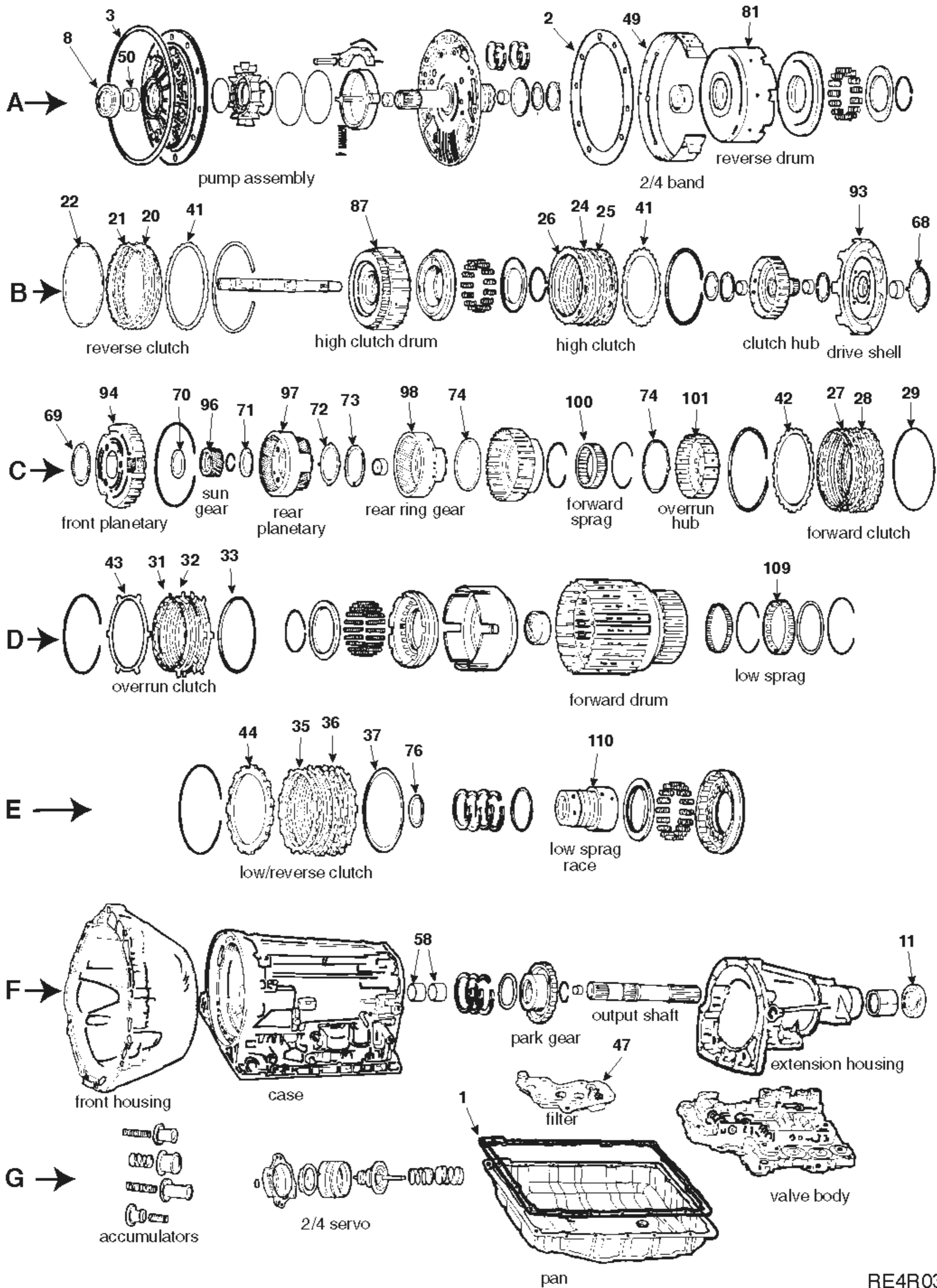


012-122 front leg handle (2)



012-107 cross bar (1)

all parts are sold separately



RE4R03A
73000

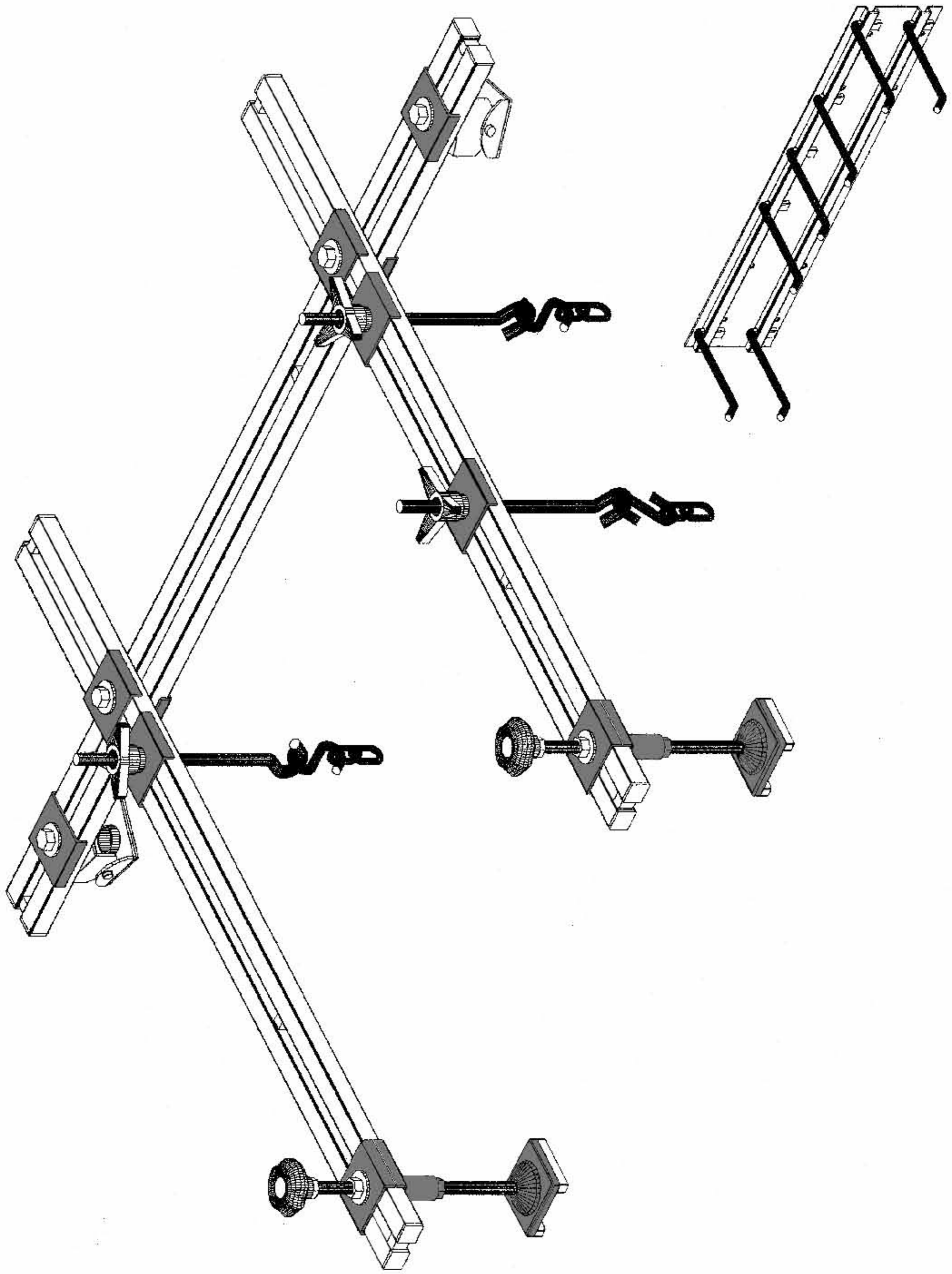
ILL	DESCRIPTION	QTY	YEAR	REFERENCE #	PART #	
REBUILDER KITS						
K5	Master kit w/steels	RE4R03A	1	90-01	AE	K7300
K6	Master kit w/o steels	RE4R03A	1	90-01	AE	K7300-LS
K7	O/H gasket set w/seals-rings	RE4R03A	1	90-01	AE	K73900
VALVE BODY KITS						
K15	Shift Kit®	planet, clutch and band burn up	1	90-01	SK® RE4R01A	K78908
K15	Shift Correction Package	RE4R03A	1	90-01	KJR403E	S33908
GASKETS AND RUBBER COMPONENTS						
G1	Gasket, oil pan	neoprene/cork	1	90-01	31397-51X00	13138X
G1	Gasket, oil pan	Duraprene®	1	90-01	31397-51X00	13138D
A2	Gasket, pump to case	RE4R03A	1	90-01	31366-41X01	23060
A3	O'ring	pump to case	1	90-01	31526-41X01	23061
n/i	O'ring	filter to valve body	1	90-96	31526-41X07	23062
n/i	Gasket, extension housing	RE4R03A	1	97-01	31338-41X01	23063
n/i	Gasket, extension housing	RE4R03A	1	90-01	31338-51X00	23063A
n/i	Gasket, servo cover	RE4R03A	1	97-01	31623-51X00	23078
n/i	O'ring	case connector	1	90-01	31526-41X04	23082
n/i	O'ring	output speed sensor	1	90-01	31526-41X05	23083
n/i	O'ring, turbine shaft	RE4R03A	1	90-01	31526-51X00	23084
n/i	Gasket	RE4R03A	1	90-01	31716-41X01	23494
n/i	Gasket	RE4R03A	1	90-01	31717-51X00	23495
METAL CLAD SEALS						
A8	Seal, metal clad	front	1	90-01	31344-51X00	68200
F11	Seal, metal clad	extension housing	1	90-01	31375-51X01	78203
n/i	Seal, metal clad 62x44x10mm	adapter housing (4WD)	1	90-01	31336-X6901	78205
n/i	Seal, metal clad	shift shaft	1	90-01	31375-41X00	78210
SEALING RINGS						
K10	Kit, sealing ring	RE4R03A	1	90-01	AE	K73300
CLUTCH PLATES						
B20	Friction .075" 6.12" od 64T	reverse clutch	3	90-01	31532-51X05	73106
B21	Steel .079" 5.2" id 40T	reverse clutch	3	90-01	31536-51X00	73107
B21	Steel .110" 5.2" id 40T	reverse clutch	sel	90-01	31536-51X06	73107A
B22	Steel, dished	reverse clutch	1	90-01	31535-51X05	73126-R
B24	Friction .062" 6.12" od 64T	high clutch	6/7	90-01	31532-51X04	73104
B25	Steel .079" 5.2" id 40T	high clutch	6/7	90-01	31536-51X00	73107
B26	Steel, dished	high clutch	1	90-01	31535-51X05	73126-R
C27	Friction .079" 6.6" od 50T	forward clutch	7/9	90-01	31532-51X01	73101
C28	Steel .079" 6.1" id 36T	forward clutch	8/9	90-01	31536-51X07	73100
C29	Steel, dished	forward clutch	1	90-01	31535-51X01	73122-R
D31	Friction .062" 6.1" od 20T	Nissan overrun clutch	4	90-01	31532-51X02	73103
D31	Friction .079" 6.1" od 20T	Infiniti overrun clutch	5	90-01	31522-51X06	73103A
D32	Steel .079" 5.36" id 6T	overrun clutch	5/7	90-01	31536-51X02	73113
D33	Steel, dished (not in kit)	overrun clutch	1	90-01	31535-51X02	73123-R
E35	Friction .064" 6.12" od 33T	low/reverse clutch	8	90-01	31532-51X09	73108
E36	Steel .079" 5.48" od 11T	low/reverse clutch	8/9	90-01	31666-51X00	73114
E37	Steel, dished	low/reverse clutch	1	90-01	31535-51X04	73124-R
PRESSURE PLATES						
B41	Pressure plate	reverse clutch	sel	90-01	31537-51X00	73717-R
B41	Pressure plate	high clutch	sel	99-01	31537-51X00	73717-R
C42	Pressure plate	forward clutch	sel	90-01	31537-51X05	73714-R
D43	Pressure plate	overrun clutch	sel	90-01	31537-51X11	73715-R
E44	Pressure plate	low/reverse clutch	sel	90-01	31667-51X00	73716-R

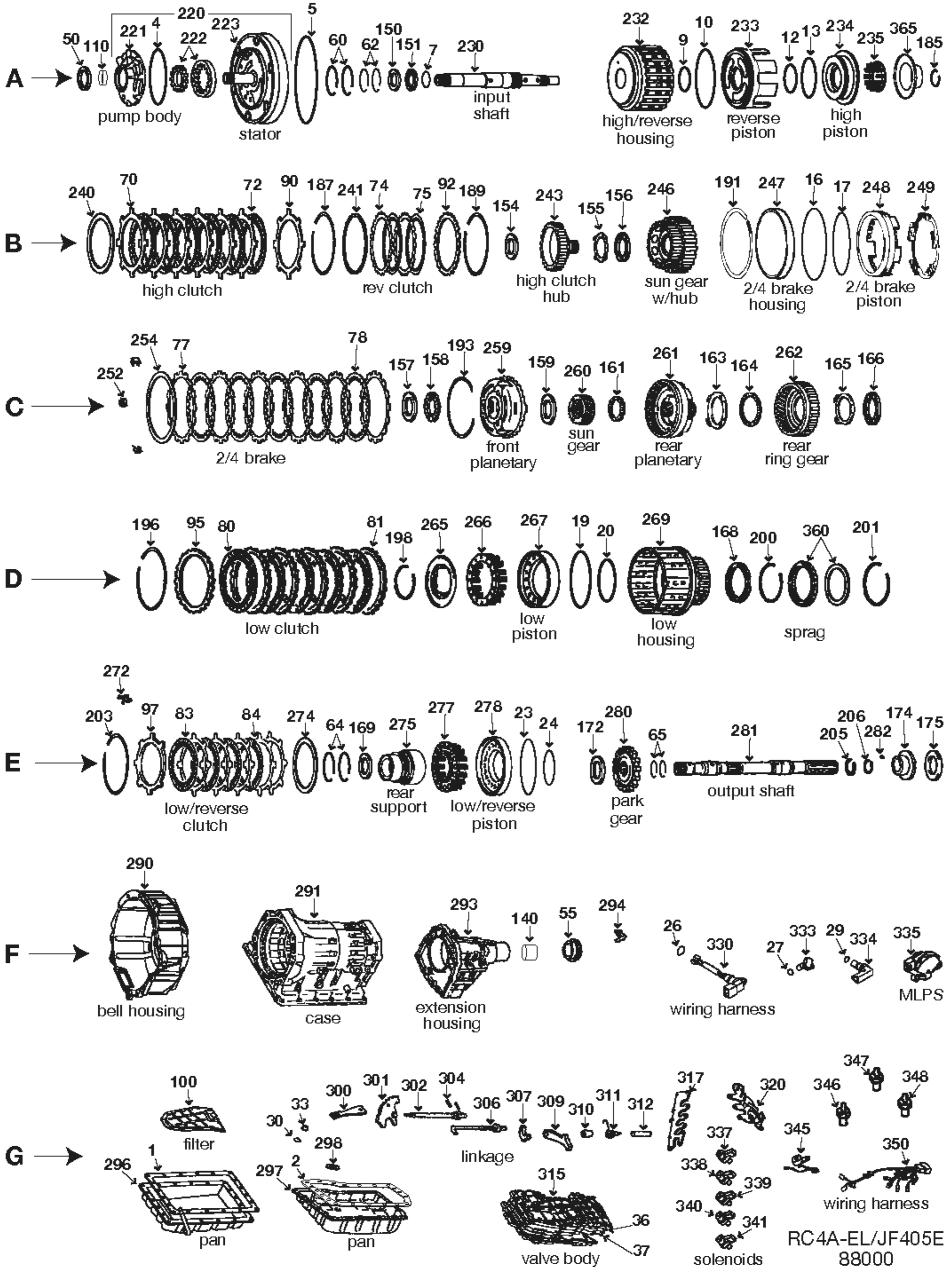
RE4R03A

RE4R03A

RE4R03A

ILL	DESCRIPTION		QTY	YEAR	REFERENCE #	PART #
FILTERS						
K9	Kit, filter	neoprene/cork	1	90-01	AE	FK73800
K9	Kit, filter	Duraprene®	1	90-01	AE	DK73800
G47	Filter, oil	w/o neck	1	90-01	31728-51X02	73800
BANDS						
A49	Band, flex	RE4R03A	1	90-01	31630-51X02	73700
BUSHINGS						
K13	Kit, bushing	RE4R03A	1	90-01	AE	K33901
A50	Bushing 2.130" od	pump body	1	90-01	31343-21X01	68001
F58	Bushing (1 piece design)	case	1	90-01	31405-51X00	73003X
WASHERS/BEARINGS/RACES/SHIMS						
B68	Race, thrust (1st design)	sun shell to front planetary	1	90-01	31435-51X00	73511-R
C69	Bearing, thrust (open face)(1st design)	sun shell to front planetary	1	90-01	AE	73508-R
C69	Bearing, thrust (1 piece)(2nd design)	sun shell to front planetary	1	90-01	31407-71X03	73509-R
C70	Bearing, thrust	front planetary to sun gear	1	90-01	31455-21X00	73513-R
C71	Bearing, thrust	sun gear to rear planetary	1	90-01	31455-21X00	73510-R
C72	Race, thrust	rear planetary to ring gear	1	90-01	31435-41X03	73512-R
C73	Bearing, thrust	rear planetary to ring gear	1	90-01	31407-51X05	68410-R
C74	Washer, thrust	ring gear to forward/overrun hub	2	90-01	31508-51X08	73407
E76	Bearing, thrust	overrun hub to rear sprag race	1	90-01	31407-51X04	73417-R
PUMP PARTS AND PUMPS						
A	Pump assembly 1.045" id	w/switch	1	90-01	AE	73200-R
HARD PARTS						
A81	Drum, reverse clutch	RE4R03A	1	90-01	31511-51X02	73928-R
B87	Drum, high clutch	RE4R03A	1	90-01	31542-51X00	73925-R
B93	Shell, w/sun gear 40T	40T	1	90-01	31460-51X02	73729-R
C94	Planetary, carrier-front	RE4R03A	1	90-01	31420-51X06	73747-R
C96	Sun gear, rear	51T	1	90-01	31469-51X00	73728-R
C96	Sun gear, rear	58T	1	90-01	31469-51X02	73728A-R
C97	Planetary, carrier-rear	use w/51T sun gear	1	90-01	31440-51X84	73730-R
C97	Planetary, carrier-rear	use w/58T sun gear	1	90-01	31440-51X04	73730A-R
C98	Gear, rear ring internal	RE4R03A	1	90-01	31450-51X00	73749-R
C101	Hub, overrun clutch	RE4R03A	1	90-01	31591-51X02	73752-R
E110	Race, inner sprag	use w/73417	1	90-01	31472-51X01	73750-R
E110	Race, inner	RE4R03A	1	90-01	31472-51X03	73750A-R
n/i	Gear set, planetary	w/51T rear sun gear	1	90-01		K73950-R
n/i	Gear set, planetary	w/58T rear sun gear	1	90-01		K73950A-R
ELECTRICAL COMPONENTS						
n/i	Solenoid set	RE4R03A	1	91-01	31940-41X10	5A-500
SPRAGS						
C100	Sprag	forward	1	90-06	31484-71X00	73502
D109	Sprag	low	1	90-92	31473-51X00	73503
D109	Sprag	low	1	93-01	31473-51X01	73503A
NOTES						



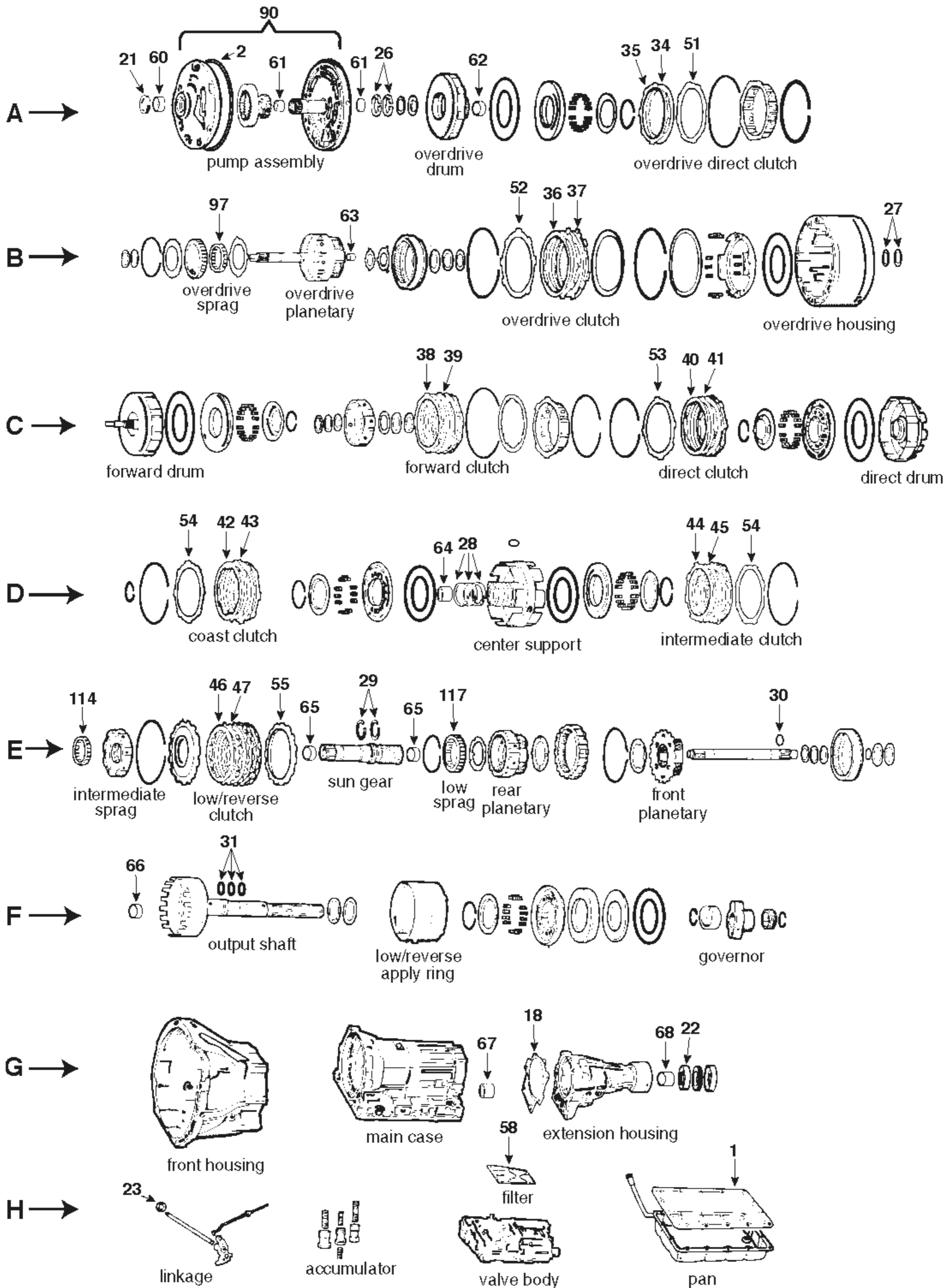


ILL	DESCRIPTION		QTY	YEAR	REFERENCE #	PART #
TECHNICAL MANUALS						
K53	Tech manual JR405E dis/assembly	diagnosis & troubleshooting	1	04-11	JR405ETM	010-487
REBUILDER KITS						
K5	Master kit with steels	RX8	1	04-11	AE	K8800
K6	Master kit w/o steels	RX8	1	04-11	AE	K8800-LS
K7	O/H gasket set w-seals-rings	RX8	1	04-11	DP2510	K88900
VALVE BODY KITS						
K15	Kit, valve body repair	RC4A-EL/JR405E	1	02-11	n/a	K88908
GASKETS AND RUBBER COMPONENTS						
G1	Gasket, pan Farpak®	RX8	1	04-06	FDB-B11393	13126F
G2	Gasket, pan Durprene®	JR405E	1	04-11	FDB-B11535	13127D
A4	O'ring	pump body to support	1	04-11	BW01-21-032	23086
A5	O'ring	pump support to case	1	04-11	BW01-21-031	23131
G36	Gasket, upper valve body	RC4A-EL/JR405E	1	04-11	FDB-B36323	23129
G36	Gasket, lower valve body	RC4A-EL/JR405E	1	04-11	FDB-B36324	23130
n/i	O'ring	case connector	1	04-11	BW01-21-034	23133
n/i	Washer, cooler line fittings	RC4A-EL/JR405E	4	04-11	99562-1400	23134
n/i	Seal, solenoid isolator	RC4A-EL/JR405E	5	04-11	FDB-B33344	23135
n/i	Seal	valve body to case	1	04-11	31528-31X06	23034
METAL CLAD SEALS						
A50	Seal, metal clad	front	1	04-11	31344-21X00	68200
A55	Seal, metal clad 51x38x13mm	extension housing (RC4A-EL)	1	04-11	M502-17-335A	78202
F55	Seal, metal clad	extension housing (JR405E)	1	04-11	31375-UK001	88201
SEALING RINGS						
K10	Kit, sealing ring	RC4A-EL/JR405E	1	04-11	FDB-3515	K88903
A60	Sealing ring	reverse clutch	2	04-11	BW01-19-655	88306
A62	Sealing ring	high clutch	2	04-11	31558-21X00	88307
E64	Sealing ring	low/reverse clutch	2	04-11	BV11-19-256	88308
E65	Sealing ring	output shaft	2	04-11	BW01-19-212	88309
CLUTCH PLATES						
B72	Friction .062" 5.090" od 30T	high clutch	6	04-11	BW15-19-620	78140
B70	Steel .079" 4.121" id 8T	high clutch	6	04-11	BW01-19-GE1	78141
B74	Steel .063" 4.916" id 32T	reverse clutch	2	04-11	BW01-19-571	78145
B75	Friction .061" 5.594" od 30T	reverse clutch	2	04-11	BW01-18-610	78144
C77	Friction .063" 6.562" od 30T	2/4 brake	4	04-11	BW30-19-3V0	78142
C78	Steel .071" 5.694" id 15T	2/4 brake	4	04-11	BW60-19-3N4	78143
D80	Friction .068" 5.426" od 30T	low clutch	5	04-11	BW01-19-5J0A	75221-35404
D81	Steel .080" 4.839" id 27T	low clutch	5	04-11	BW60-19-499	78147
E83	Friction .061" 5.8" od 30T L/R clutch	low/reverse clutch	4	04-11	BW01-19-590	78104A
E84	Steel .079" 5.084" id 20T	low/reverse clutch	4	04-11	BW01-19-609	78149
PRESSURE PLATES						
B90	Pressure plate	high clutch	1	04-11	AE	88716-R
B92	Pressure plate	reverse clutch	1	04-11	AE	88719-R
D95	Pressure plate	low clutch	1	04-11	AE	88721-R
E97	Pressure plate	low/reverse clutch	1	04-11	AE	88723-R
FILTERS						
K9	Kit, filter	JR405E	1	04-11	AE	DK88800
K9	Kit, filter	RC4A-EL	1	04-06	AE	FK88800A
G100	Filter	RC4A-EL/JR405E	1	04-11	n/a	88800
BUSHINGS						
K13	Kit, bushing	RC4A-EL/JR405E	1	04-11	n/a	K88901
A110	Bushing 2.130" od	pump body	1	04-11	31343-21X01	68001
F140	Bushing	extension housing (RC4A-EL)	1	04-06	31332-X8000	78008

JR405E•RC4A-EL

JR405E•RC4A-EL

ILL	DESCRIPTION	QTY	YEAR	REFERENCE #	PART #
WASHERS/BEARINGS/RACES/SHIMS					
K12	Kit, thrust bearing	1	04-11	n/a	K88906
A150	Race, thrust	1	04-11	n/a	88406
A151	Bearing, thrust	1	04-11	n/a	88407
B154	Bearing, thrust	1	04-11	n/a	88410
B155	Race, thrust	1	04-11	n/a	88412
B156	Bearing, thrust	1	04-11	n/a	88413
C157	Race, thrust	1	04-11	n/a	88415
C158	Bearing, thrust	1	04-11	n/a	88416
C159	Bearing, thrust	1	04-11	n/a	88418
C161	Bearing, thrust	1	04-11	n/a	88420
C163	Bearing, caged	1	04-11	n/a	88422
C164	Bearing, thrust	1	04-11	n/a	88423
C165	Race, thrust	1	04-11	n/a	88425
C166	Bearing, thrust	1	04-11	n/a	88426
D168	Bearing, thrust	1	04-11	n/a	88430
E169	Bearing, thrust	1	04-11	n/a	88432
E172	Bearing, thrust	1	04-11	n/a	88435
E174	Race, thrust (sleeve)	1	04-11	n/a	88436
E175	Bearing, thrust	1	04-11	n/a	88437
SNAP RINGS					
A185	Snap ring	1	04-11	AE	88605-R
B187	Snap ring	1	04-11	AE	88608-R
B189	Snap ring	1	04-11	AE	88610-R
B191	Snap ring	1	04-11	AE	88613-R
C193	Snap ring	1	04-11	AE	88615-R
D196	Snap ring	1	04-11	AE	88618-R
D198	Snap ring	1	04-11	AE	88620-R
D200	Snap ring	1	04-11	AE	88623-R
D201	Snap ring	1	04-11	AE	88625-R
E203	Snap ring	1	04-11	AE	88627-R
E205	Snap ring	1	04-11	AE	88629-R
E206	Snap ring	1	04-11	AE	88630-R
PUMP PARTS AND PUMPS					
A220	Pump assembly	1	04-11	AE	88200-R
HARD PARTS					
A230	Shaft, input	1	04-11	AE	88915-R
A232	Housing, high/reverse clutch	1	04-11	AE	88917-R
A233	Piston, reverse clutch	1	04-11	AE	88918-R
A234	Piston, high clutch	1	04-11	AE	88919-R
A235	Retainer, w/springs	1	04-11	AE	88920-R
B240	Spring, dished	1	04-11	AE	88922-R
A243	Hub, high clutch	1	04-11	AE	88924-R
B246	Hub, w/sun gear	1	04-11	AE	88925-R
B247	Housing, 2/4 brake clutch	1	04-11	AE	88926-R
B248	Piston, 2/4 brake clutch	1	04-11	AE	88927-R
B249	Retainer, w/springs	1	04-11	AE	88928-R
C252	Retainer, 2/4 brake clutch	3	04-11	AE	88930-R
C254	Spring, dished	1	04-11	AE	88932-R
C259	Planetary, front	1	04-11	AE	88935-R
C260	Gear, rear sun	1	04-11	AE	88937-R
C261	Planetary, rear	1	04-11	AE	88938-R
C262	Gear, rear ring	1	04-11	AE	88939-R
D265	Retainer, low clutch	1	04-11	AE	88941-R



A40/A41/A42/AW70/A44D/AW71/A44DL/A44DE/A46DE

46000/A/D/E/F/G/J/K

A40•A41•A42•AW70•AW71•A44D•A44DL•A44DE•A46DE

ILL	DESCRIPTION		QTY	YEAR	REFERENCE #	PART #
TECHNICAL MANUALS						
K53	Tech manual A40 series dis/assembly	diagnosis/troubleshooting	1	72-06	83-TOY40TM	010-401
REBUILDER KITS						
K5	Master kit w/steels-3 speed	all except below	1	73-86	AE	K4600
K5	Master kit w/steels-3 speed	BW55	1	74-84	AE	K4600A
K5	Master kit w/steels-4 speed	A40D/AW70	1	77-85	AE	K4600D
K5	Master kit w/steels-4 speed	A43D/AW71	1	81-87	AE	K4600E
K5	Master kit w/steels-4 speed	A43D/AW71/A44D/AW372/KM148	1	88-94	AE	K4600F
K5	Master kit w/steels-4 speed	A43D	1	95-06	AE	K4600G
K5	Master kit w/steels-4 speed	all DE/DF/DL/AW372L (except below)	1	82-06	AE	K4600J
K5	Master kit w/steels-4 speed	A46DE/DF	1	91-06	AE	K4600K
K6	Master kit w/o steels-3 speed	all except below	1	72-86	AE	K4600-LS
K6	Master kit w/o steels-3 speed	BW55	1	74-84	AE	K4600A-LS
K6	Master kit w/o steels-4 speed	A40D/AW70	1	77-85	AE	K4600D-LS
K6	Master kit w/o steels-4 speed	A43D/AW71	1	81-87	AE	K4600E-LS
K6	Master kit w/o steels-4 speed	A43D/AW71/A44D/AW372/KM148	1	88-94	AE	K4600F-LS
K6	Master kit w/o steels-4 speed	A43D	1	95-06	AE	K4600G-LS
K6	Master kit w/o steels-4 speed	all DE/DF/DL/AW372L-except below	1	82-06	AE	K4600J-LS
K6	Master kit w/o steels-4 speed	A46DE/DF	1	91-06	AE	K4600K-LS
K7	O/H gasket set w/seals-rings-3 speed	all except below	1	72-86	AE	K46900
K7	O/H gasket set w/seals-rings-3 speed	BW55	1	74-84	AE	K46900A
K7	O/H gasket set w/seals-rings-4 speed	all "D" models	1	77-06	AE	K46900D
K7	O/H gasket set w/seals-rings-4 speed	all DE/DF/DL models	1	82-06	AE	K46900F
K11	Gasket and seal kit-3 speed	all except below	1	72-86	AE	K46900C-1
K11	Gasket and seal kit-3 speed	BW55	1	74-84	AE	K46900A-1
K11	Gasket and seal kit-4 speed	all DE/DF/DL models	1	82-06	AE	K46900F-1
GASKETS AND RUBBER COMPONENTS						
H1	Gasket, oil pan	neoprene/cork	1	72-06	35168-22011	13400X
H1	Gasket, oil pan	Duraprene®	1	72-06	35168-22011F	13400D
A2	D'ring	A40/A43 (front pump to case)	1	72-79	35147-22010	13401
A2	O'ring	front pump to case	1	79-06	90301-99010	13401A
G18	Gasket, extension housing	A42D/43D/A44D/AW70/AW71	1	72-06	35182-22010	13402
n/i	Gasket, filter	all 3 speeds	1	72-06	045-504-5007	13407
n/i	Gasket, filter	A40D	1	77-85	35339-30030	13407A
n/i	Gasket, filter	A42D/43D/A44D/AW70/AW71	1	79-06	35339-30050	13407D
n/i	Gasket, filter	all DE models	1	83-06	35339-30060	13407C
n/i	Gasket, filter	all DL/DF models	1	81-06	35339-14010	13407B
n/i	O'ring	speedo housing	1	72-06	90301-18018	3547L
n/i	O'ring	filler tube and throttle cable	2	72-06	90301-09173	13103
n/i	O'ring	overdrive housing to case	1	77-06	90301-99006	13408
n/i	Gasket set, valve body	all D series (except A40D)	1	79-06	n/a	13421
n/i	Gasket set, valve body	A40D	1	77-85	n/a	13422
n/i	Gasket set, valve body	all DL models	1	81-06	n/a	13423
n/i	Gasket set, valve body	all DE models	1	83-06	n/a	13424
METAL CLAD SEALS						
A21	Seal, metal clad	front	1	72-06	90311-38020	46200
G22	Seal, metal clad	extension housing	1	72-06	90311-38040	42201A
G22	Seal, metal clad 1.950" od (not in kit)	Volvo (extension housing)	1	74-93	235728-3	47201A
G22	Seal, metal clad 2.170" od (not in kit)	Volvo (extension housing)	1	94-97	3549226-3	46201
G22	Seal, metal clad (not in kit)	Isuzu (extension housing)	1	81-85	5-09625-009-0	46204
G22	Seal, metal clad (not in kit)	Isuzu (extension housing)	1	86-95	8-94155-673-0	46205
G22	Seal, metal clad	2WD Mitsubishi/Chrysler (ext housing)	1	87-89	MD951482	46206
G22	Seal, metal clad (not in kit)	Mazda (extension housing)	1	98-06	BV8B-17-355	46207
H23	Seal, metal clad 12x22x7mm	manual lever shaft	2	73-06	90311-11128	46202

A40•41•42•AW70•71•A44D•DL•DE•A46DE

A40•A41•A42•AW70•AW71•A44D•A44DL•A44DE•A46DE

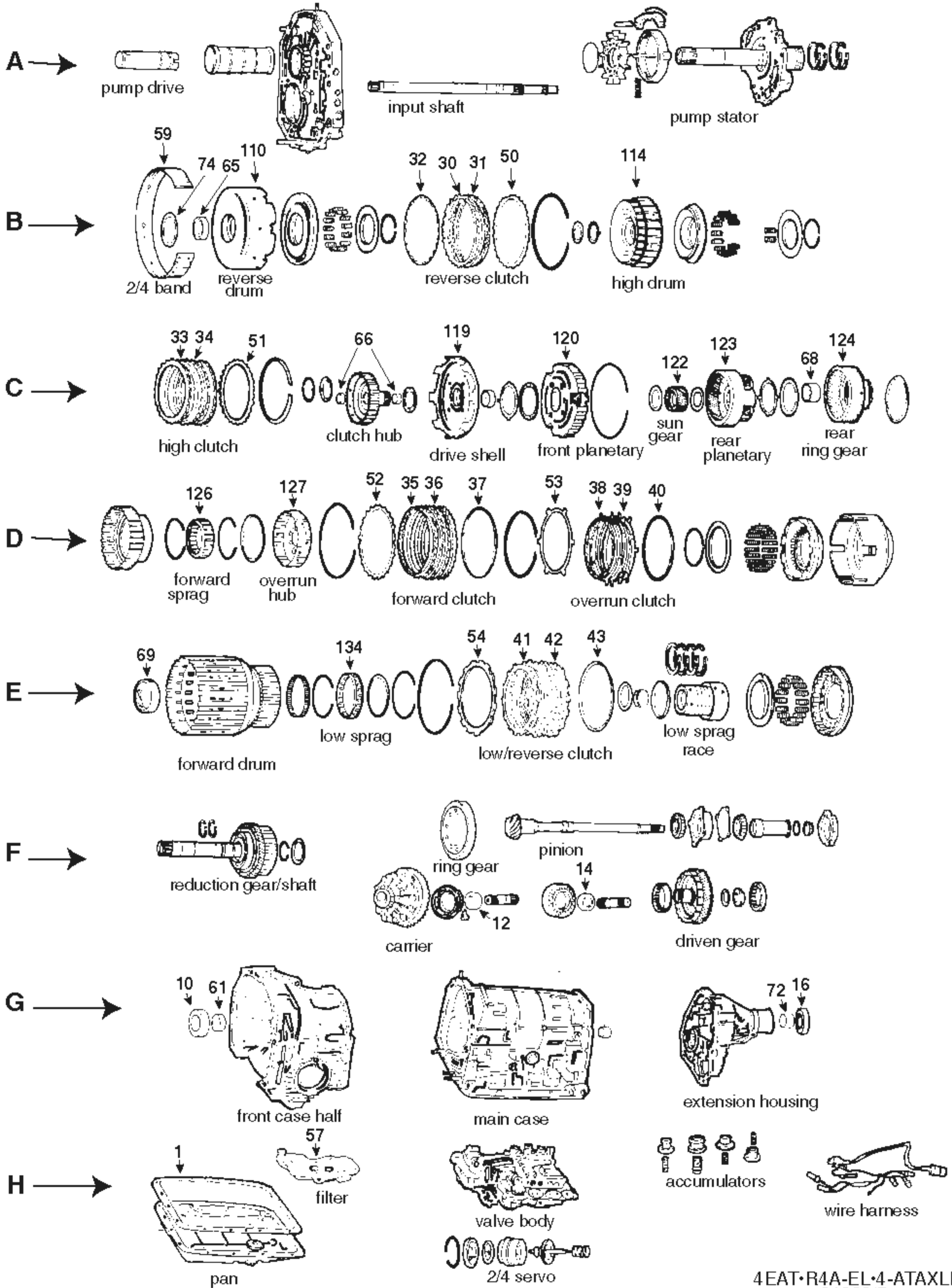
A40•A41•A42•AW70•AW71•A44D•A44DL•A44DE•A46DE

ILL	DESCRIPTION		QTY	YEAR	REFERENCE #	PART #
METAL CLAD SEALS (CONTINUED)						
n/i	Seal, metal clad	4WD (adapter housing)	1	87-89	MD609235	46208
n/i	Seal, metal clad (not in kit)	Suzuki sidekick 4WD (adapter housing)	1	87-89	29792-57B01	46209
n/i	Seal, metal clad	Toyota (speedo gear shat)	1	79-04	90310-09001	46203
n/i	Seal, metal clad	Volvo (speedo gear shaft)	1	74-97	380192-5	46210
SEALING RINGS						
K10	Kit, sealing ring	3 speed (except below)	1	73-86	AE	K46300
K10	Kit, sealing ring	BW55	1	74-84	AE	K46300A
K10	Kit, sealing ring-combo early and late	4 speed	1	77-06	AE	K46300B
K10	Kit, sealing ring	4 speed	1	82-06	AE	K46300D
A26	Ring, sealing	3 speed (stator support)	2	73-81	35617-22010	46300
A26	Ring, sealing	4 speed (stator support)	2	77-81	35617-22020	46301
A26	Ring, sealing (metal)	all (stator support)	2	82-06	35617-16010	62301
B27	Ring, sealing	4 speed (overdrive housing)	2	77-81	35617-22020	46301
B27	Ring, sealing (metal)	all (overdrive housing)	2	81-06	35617-16010	62301
D28	Ring, sealing	4 speed (center support)	3	73-81	35617-22020	46301
D28	Ring, sealing (metal)	all (center support)	3	82-06	35617-16010	62301
E29	Ring, sealing	BW55 (sun gear shaft)	2	74-84	0445-016-002A	46304
E29	Ring, sealing (hook joint)	inside rear cl retainer (sun gear shaft)	2	73-06	35749-22010	2823K
E29	Ring, sealing	all A43 and A46 series (sun gear shaft)	2	81-06	35749-30010	46305
E30	Ring, sealing (not in kit)	4 speed (intermediate shaft)	1	77-06	35748-30010	46306T
F31	Ring, sealing	output shaft/governor	3	73-06	35735-22010	46302
CLUTCH PLATES						
A34	Friction .091" 5.0" id 24T	overdrive direct	1/2	77-06	35677-22030	46100
A35	Steel .071" 4.0" id 8T (short)	overdrive direct	2/3	77-79	35634-22070	46101
A35	Steel .079" 4.0" id 8T (short)	overdrive direct	2/3	80-06	35634-30070	46101A
A35	Steel, dished (not in kit)	A46DE (overdrive direct)	1	91-06	34618-30010	46117
B36	Friction .091" 5.0" id 24T	A40D/A42D/AW70 (overdrive brake)	2/3	77-06	35677-22020	46100
B36	Friction .091" 5.590" od 44T	overdrive brake (except above)	3	81-83	35677-30010	46105
B36	Friction .067" 5.590" od 33T (thin paper)	overdrive brake (except above)	3	84-06	35677-30040	75102
B37	Steel .071" 4.0" id 8T (long)	A40D/A42D/AW70	2/3	77-06	35634-22090	46102
B37	Steel .079" 4.6" id 7T	overdrive brake (except above)	3	81-06	35634-30080	46107A
B37	Steel .091" 4.6" id 7T	overdrive brake	ar	81-06	35634-30010	46107B
C38	Friction .091" 5.0" id 24T	forward (front)	3/4	73-06	35677-30030	46100
C38	Friction .079" 5.0" od 24T	A46DE/A43D (forward front)	4/5	91-06	35677-22060	46100A
C39	Steel .071" 4.0" id 8T (short)	forward (front)(except below)	3/4	73-06	35634-22070	46101
C39	Steel .079" 4.0" id 8T (short)	A46DE (forward front)	3/4	80-06	35634-30070	46101A
C39	Steel .055" 4.0" id 8T (short)	Prevla A46DE (forward front)	1	91-06	35634-30090	46113
C39	Steel .091" 4.0" id 8T (short)	A46DE (forward front)	ar	91-06	35634-30120	46114
C40	Friction .091" 5.0" id 24T	direct (rear)	2/3	73-06	35677-30020/30	46100
C41	Steel .071" 4.0" id 8T (short)	direct (rear)	2/3	73-06	35634-22070	46101
C41	Steel .079" 4.0" id 8T (short)	direct (rear)	ar	80-06	35634-30070	46101A
D42	Friction .091" 5.0" id 24T	overrun brake (B1)	1/3	73-06	35677-30030	46100
D43	Steel .071" 4.0" id 8T (long)	A40D/A42D/AW70 (overrun brake B1)	1/3	73-06	35634-22090	46102
D43	Steel .079" 4.0" id 8T (long)	overrun brake (B1)	ar	80-06	35648-30010	46112
D44	Friction .091" 5.0" id 24T	intermediate brake (B2)	2/3	73-06	35677-22050	46100
D44	Friction .079" 5.0" od 24T	intermediate brake (B2)	2/3	91-06	35677-22060	46100A
D45	Steel .071" 4.0" id 8T (long)	intermediate brake (B2)	2/4	73-87	35634-22090	46102
D45	Steel .091" 4.0" id 8T (long)	intermediate brake (B2)	3	88-06	35648-30020	46101C
D45	Steel .079" 4.0" id 8T (long)	intermediate brake (B2)	ar	80-06	35648-30010	46112
D45	Steel .118" 4.0" id 8T (long)	intermediate brake (B2)	ar	80-06	35648-22010	46108
E46	Friction .091" 5.0" id 16T	low/reverse brake (B3)	4/5	73-06	35633-30030	46103
E47	Steel .071" 4.0" id 15T	low/reverse brake (B3)	4/5	73-06	35634-22080	46104

A40•A41•A42•AW70•AW71•A44D•A44DL•A44DE•A46DE

A40•41•42•AW70•71•A44D•DL•DE•A46DE

ILL	DESCRIPTION		QTY	YEAR	REFERENCE #	PART #
PRESSURE PLATES						
A51	Pressure plate .100" 8T (short)	overdrive brake	1	77-06	35615-30010	46717-R
B52	Pressure plate 8T (long)	overdrive brake	sel	77-06	34625-30020	46718-R
B52	Pressure plate 7T	overdrive brake	1	81-06	34625-22010	46719-R
C53	Pressure plate .155" 8T (short)	short direct clutch	1	73-06	35675-22140	46716-R
D54	Pressure plate 8T (long)	overrun and intermediate clutch	1/2	73-06	35625-22010	46714-R
E55	Pressure plate 15T	low/reverse brake	1	73-06	35639-22010	46715-R
FILTERS						
K9	Kit, filter	all 3 speed (neoprene/cork)	1	73-86	AE	FK46800
K9	Kit, filter	all 3 speed (Duraprene®)	1	73-86	AE	DK46800
K9	Kit, filter	A40D (neoprene/cork)	1	77-85	AE	FK46800A
K9	Kit, filter	A40D (Duraprene®)	1	77-85	AE	DK46800A
K9	Kit, filter	A42D/A43D/A44D/AW70/AW71 (neoprene/cork)	1	79-06	AE	FK46800D
K9	Kit, filter	A42D/A43D/A44D/AW70/AW71 (Duraprene®)	1	79-06	AE	DK46800D
K9	Kit, filter	all DL models (neoprene/cork)	1	81-06	AE	FK46800B
K9	Kit, filter	all DL models (Duraprene®)	1	81-06	AE	DK46800B
K9	Kit, filter	all DE models (neoprene/cork)	1	83-06	AE	FK46800C
K9	Kit, filter	all DE models (Duraprene®)	1	83-06	AE	DK46800C
H58	Filter	all 3 speed	1	73-86	35303-22020	46800
H58	Filter	A40D	1	77-85	35303-30031	46800A
H58	Filter	A42D/A43D/A44D/AW70/AW71	1	79-06	35303-30050	46800D
H58	Filter	all DL/DF models	1	81-06	35303-14010	46800B
H58	Filter	all DE models	1	83-06	35303-30060	46800C
BUSHINGS						
K13	Kit, bushing complete	A40/A40D (9 pieces)	1	73-06	AE	K46901
A60	Bushing	pump body	1	73-06	n/a	46001
A61	Bushing 21.501mm bore 9.5mm	stator support (front/rear)	2	73-06	n/a	46007
A61	Bushing 17mm 21.561mm bore	stator support (front/rear) (not in kit)	2	80-06	n/a	46007A
A62	Bushing 25.38mm bore (not in kit)	40D/42/43 overdrive sun gear	1	77-06	n/a	46010
B63	Bushing 11.2mm bore (not in kit)	A40D/42/43 overdrive input shaft	1	77-06	n/a	46011
D64	Bushing 36.386mm bore	center support	1	73-06	n/a	46004
E65	Bushing 21.501mm bore 9.5mm	sun gear shaft front and rear	2	73-06	n/a	46007
F66	Bushing 18.011mm bore 9.7mm	output shaft	1	73-06	n/a	46005
G67	Bushing (babbitt) 38.113mm bore	case (rear)	1	73-06	n/a	12502
G68	Bushing w/38mm yoke	extension housing (Toyota only)	1	73-06	n/a	46006
G68	Bushing w/35mm yoke (not in kit)	extension housing (Toyota only)	1	73-06	n/a	46006A
G68	Bushing 1 5/16" od	Volvo/Datsun extension housing	1	73-06	235878-6	19002X
PUMP PARTS AND PUMPS						
A90	Complete, pump	A40 3 speed	1	73-86	n/a	46424-R
HARD PARTS						
n/i	Cable repair end	fixes bottom end of most cables	1	73-06	AE	96-198
SPRAGS						
B97	Sprag (18 elements)	overdrive	1	77-89	35791-30020	46502
B97	Sprag (20 elements)	overdrive	1	90-06	35791-30030	46502A
B97	Sprag (22 elements)	overdrive	1	89-06	35791-28010	46502B
E114	Sprag (18 elements)	intermediate	1	73-06	35791-30020	46502
E117	Sprag (20 elements)	low	1	73-86	35792-20010	46503
E117	Sprag (26 elements) .318"	low (all except below)	1	81-06	35792-30011	46503B
E117	Sprag (26 elements) .402"	A44/A45 series (low)	1	84-06	35792-30030	46503C
NOTES						



4EAT•R4A-EL•4-ATAXLE
84000/D

ILL	DESCRIPTION		QTY	YEAR	REFERENCE #	PART #
TECHNICAL MANUALS						
K53	Tech manual 4 speed dis/assembly	diagnosis/troubleshooting	1	88-92	83-SUBA4TM	010-426
REBUILDER KITS						
K5	Master kit w/steels	except below w/o transfer case plates	1	88-92	AE	K8400
K5	Master kit w/steels	SVX/Legacy w/turbo w/o transfer case plate	1	91-92	AE	K8400A
K5	Master kit w/steels	R4AX-EL/4EAT w/o transfer case plates	1	93-95	AE	K8400B
K5	Master kit w/steels	R4AX-EL/4EAT w/o transfer case plates	1	96-98	AE	K8400C
K5	Master kit w/steels	R4AX-EL/4EAT w/o transfer case plates	1	99-07	AE	K8400D
K6	Master kit w/o steels	except below w/o transfer case plates	1	88-92	AE	K8400-LS
K6	Master kit w/o steels	SVX/Legacy w/turbo w/o transfer case plate	1	91-92	AE	K8400A-LS
K6	Master kit w/o steels	R4AX-EL/4EAT w/o transfer case plates	1	93-95	AE	K8400B-LS
K6	Master kit w/o steels	R4AX-EL/4EAT w/o transfer case plates	1	96-98	AE	K8400C-LS
K6	Master kit w/o steels	R4AX-EL/4EAT w/o transfer case plates	1	99-07	AE	K8400D-LS
K7	O/H gasket set w/seals-rings	R4AX-EL/4EAT	1	88-98	AE	K84900
K7	O/H gasket set w/seals-rings	R4AX-EL/4EAT	1	99-07	AE	K84900D
VALVE BODY KITS						
K15	Shift Kit®	planet, clutch and band burn up	1	88-06	SK® RE4R01A	K78908
K15	Shift Correction Package	R4AX-EL/4EAT	1	88-98	KRE4R01A	S78908
GASKETS AND RUBBER COMPONENTS						
H1	Gasket, pan	neoprene/cork	1	88-98	31387-AA040	13137X
H1	Gasket, pan	Duraprene®	1	88-98	31397-AA010F	13137D
H1	Gasket, pan	Duraprene®	1	99-07	n/a	13142D
n/i	Gasket (metal)	pump housing to case	1	88-98	31339-AA122	23310
n/i	Gasket	extension housing	1	88-98	31339-AA120	23315
n/i	O'ring	filter	1	99-07	8069-24030	23062
n/i	Gasket	case (rear)	1	99-07	31337-AA190	23311
n/i	Gasket	case (front)	1	88-98	31337-AA140	23312
n/i	Gasket	valve body (upper)	1	88-98	n/a	23494
n/i	Gasket	valve body (lower)	1	99-07	n/a	23495
n/i	Gasket	valve body	2	99-07	n/a	23493
n/i	Gasket	accumulator housing (upper)	1	99-07	n/a	23313
n/i	Gasket	accumulator housing (lower)	1	99-07	n/a	23314
n/i	O'ring	oil filler tube	1	99-07	8069-10030	23064
n/i	O'ring	case connector	1	99-07	8069-21020	23082
n/i	O'ring	turbine shaft	1	99-07	8069-20010	23085
n/i	Seal	transfer clutch valve assembly to case	1	99-07	33284-AA001	23468
n/i	Seal	air breather	1	88-07	31396-AA000	23469
METAL CLAD SEALS						
G10	Seal, metal clad	front	1	88-07	8067-50030	84208
F12	Seal, metal clad 50x30x9mm	right axle	1	88-07	8067-30031	52206A
F14	Seal, metal clad 50x30x9mm	left axle	1	88-07	8067-30032	52205A
G16	Seal, metal clad 50x34x11mm	extension housing (4WD)	1	88-98	8067-35070	52207
n/i	Seal, metal clad	shift shaft	1	88-07	8067-16040	84209
n/i	Seal, metal clad 17.5x12.5x8mm	speedometer	1	88-98	8067-12030	52202
n/i	Seal, metal clad	final drive pinion	2	88-07	8067-52010	84210
n/i	Tube seal, (not in kits)	molded rubber pump plate to diff housing	1	88-07	31295-AA003	84215
SEALING RINGS						
K10	Kit, sealing ring-complete	R4AX-EL/4EAT	1	88-98	AE	K84903T
K10	Kit, sealing ring-complete	R4AX-EL/4EAT	1	99-07	AE	K84904T
CLUTCH PLATES						
B30	Friction .079" 5.880" od 34T	reverse clutch	2	93-98	31532-AA-030	68100A
B30	Friction .079" 5.880" od 30T	reverse clutch	2	88-92	31532-AA-080	78132
B30	Friction. 063" 5.880" id 30T	reverse clutch	2	98-07	31532-AA180	84110
B31	Steel .079" 5.356" id 30T	reverse clutch (square teeth)	2	88-92	31536-AA-000	78136

4EAT•R4A-EL•4-ATAxLE

4EAT•R4A-EL•4-ATAxLE

ILL	DESCRIPTION		QTY	YEAR	REFERENCE #	PART #
CLUTCH PLATES (CONTINUED)						
B31	Steel .086" 5.084" id 30T (oversized)	reverse clutch	sel	88-92	31536-AA-000 OS	78130
B31	Steel .067" 5.305" id 30T	reverse clutch	sel	93-98	31536-AA-000 US	78135
B31	Steel .079" 5.084" id 30T	reverse clutch (square teeth)	2	93-98	31536-AA-100	78133
B31	Steel .067" 5.050" id 30T	reverse clutch	sel	88-98	31536-AA-100 US	78131
B31	Steel .063" 5.244" id 32T	reverse clutch	2	98-07	31536-AA190	84111
B32	Steel, dished (not in kits)	reverse clutch	1	88-98	31668-AA-030	78126-R
B32	Steel, reverse drum saver	replaces dished steel	1	88-98	78707XW	78120
C33	Friction .063" 5.233" od 30T	high clutch	4/5	88-97	31532-AA-010	78106
C33	Friction .063" 5.435" od 36T	high clutch (high energy)	4	98-07	31532-AA150	84112
C34	Steel .118" 4.414" id 27T	high clutch	3/4	91-92	31536-AA-060	78107C
C34	Steel .079" 4.414" id 27T	Legacy w/turbo/SVX high clutch	5	98-98	31536-41X03	78107D
C34	Steel .118" 4.414" id 24T (not in kits)	high clutch (1998 Impreza 2.2L)	3	98-98	31536-AA-160	78108
C34	Steel .079" 4.414" id 24T (not in kits)	high clutch (1998 Impreza/2.5L Forestor)	1/5	88-98	31536-AA-170	78109
C34	Steel .108" 4.414" id 27T	high clutch special to adjust pack	ar	88-95	31536-AA-070	78110
C34	Steel .078" 4.415" id 8T	high clutch	4	98-07	31536-AA220	84113
D35	Friction .079" 5.85" od 36T	forward clutch	4/6	96-98	31532-AA-060	78101
D35	Friction .063" 5.85" od 36T	forward clutch	5	88-95	31532-AA-110	78102
D36	Steel .079" 5.355" id 24T	forward clutch	4/7	96-98	31536-AA-010	78100
D36	Steel .071" 5.355" id 24T	forward clutch	5	88-98	31536-41X13	78100A
D37	Steel, dished (not in kits)	forward clutch	1	88-98	31668-AA-010	78122-R
D38	Friction .079" 5.259" od 18T	overrun clutch	3	88-98	31532-AA-020	78103
D39	Steel .079" 4.705" id 6T	overrun clutch	3	88-98	31532-AA-41X10	78113
D39	Steel .086" 4.01" id 6T (oversized)	overrun clutch	ar	88-98	31536-AA-090 OS	78112
D40	Steel, dished (not in kits)	overrun clutch	1	88-92	31668-AA-020	78123-R
E41	Friction .079" 5.805" od 30T	low/reverse clutch	5/6	91-95	31662-AA-050	78104
E41	Friction .061" 5.8" od 30T L/R clutch	91-92 Legacy w/turbo 92-95 SVX/Impreza	8	95-07	31662-AA-060	78104A
E41	Friction .070" 5.85" id 30T L/R clutch	1993-07 Legacy/1996-07 SVX/Imprez	6	88-92	31662-AA-090	78104B
E41	Friction .078" 5.880" 38T	low/reverse clutch	2	97-98	075706-B200	84104
E42	Steel .079" 5.086" id 14T	low/reverse clutch	6	91-92	31866-AA-020	78114
E42	Steel .071" 5.1" id 14T	Legacy w/turbo/SVX low/reverse clutch	8	93-98	31666-AA-030	78111
E42	Steel .063" 5.1" id 14T	low/reverse clutch (all)	5	88-98	31662-AA-060	78119
E42	Steel .051" 5.086" id 14T (undersized)	low/reverse clutch (all)	ar	88-98	31666-AA-050 US	78116
E42	Steel .089" 5.086" id 14T (oversized)	low/reverse clutch (all)	ar	88-98	31666-AA-050 OS	78118
E43	Steel, dished (not in kits)	low/reverse clutch	1	88-93	31668-AA-000	78124-R
n/i	Friction. 079" 4.65" od 24T	transfer case (not in kit)	5	91-98	31588-AA-020	84108
n/i	Friction .071" 4.65" od 24T	transfer case (not in kit)	6	91-07	n/a	84107
n/i	Friction .071" 4.646" od 50T	transfer case	2	88-93	31588-AA-070	84106
n/i	Steel .071" 4.117" id 30T	transfer case (not in kit)	5	91-98	31589-AA-030	84118
n/i	Steel .063" 4.117" id 30T	transfer case	5	88-98	31589-AA-040	84119
n/i	Steel .079" 4.117" id 30T	transfer case	sel	88-98	31589-AA-030 OS	84115
n/i	Steel .095" 4.117" id 30T	transfer case	sel	88-98	31589-AA-030 OS	84116
n/i	Steel .110" 4.117" id 30T	transfer case	sel	88-92	31589-AA-030 OS	84117
n/i	Friction .063" 6.562" id 30T	2-4 brake (takes place of band)	3	98-07	31532-AA131	84114
n/i	Steel .095" 5.693" id 23T	2-4 brake (takes place of band)	2	98-07	31536-AA142	84121
n/i	Friction .071" 5.425" od 30T	low w/o turbo	6	98-07	31532-AA170	84120
n/i	Friction .063" 5.425" od 30T	low w/o turbo	ar	98-07	135700-160	84122
n/i	Steel .055" 4.841" id 30T	low w/o turbo	5/6	98-07	31536-AA200	84123
PRESSURE PLATES						
B50	Pressure plate .189" (square teeth)	reverse clutch	sel	88-92	31567-AA-000	78717-R
B50	Pressure plate .197" (square teeth)	reverse clutch	sel	88-92	31567-AA-000	78717A-R
B50	Pressure plate .209" (square teeth)	reverse clutch	sel	93-07	31567-AA-000	78717B-R
B50	Pressure plate .220" (square teeth)	reverse clutch	sel	88-07	31537-42X02	78718-R
C51	Pressure plate 4.414" id 27T	high clutch	sel	88-07	31567-AA-190	78719-R

ILL	DESCRIPTION		QTY	YEAR	REFERENCE #	PART #
PRESSURE PLATES (CONTINUED)						
D52	Pressure plate 8.2mm	forward clutch	sel	88-07	31567-AA-060	78714-R
D52	Pressure plate 8.4mm	forward clutch	sel	88-07	31567-AA-060	78714A-R
D52	Pressure plate 4.1mm	forward clutch	sel	88-07	31567-AA-060	78714B-R
D52	Pressure plate 4.3mm	forward clutch	sel	88-07	31567-AA-060	78714C-R
D52	Pressure plate 4.5mm	forward clutch	sel	88-07	31567-AA-060	78714D-R
D52	Pressure plate 5.0mm	forward clutch	sel	88-07	31567-AA-060	78714E-R
E54	Pressure plate 7.8mm	low/reverse clutch	sel	88-07	31667-AA-180	84716-R
E54	Pressure plate 7.6mm	low/reverse clutch	sel	88-07	31667-AA-180	84716A-R
E54	Pressure plate 7.4mm	low/reverse clutch	sel	88-07	31667-AA-180	84716B-R
E54	Pressure plate 7.2mm	low/reverse clutch	sel	88-07	31667-AA-180	84716C-R
E54	Pressure plate 7.0mm	low/reverse clutch	sel	88-07	31667-AA-180	84716D-R
E54	Pressure plate 6.8mm	low/reverse clutch	sel	88-07	31667-AA-180	84716E-R
D53	Pressure plate 6.6mm	overrun clutch	sel	88-07	31567-AA-120	84715-R
D53	Pressure plate 8.6mm	overrun clutch	sel	88-07	31567-AA-120	84715A-R
n/i	Pressure plate	transfer case	sel	88-98	31593-AA-151	84718-R
FILTERS						
K9	Kit, filter	R4AX-EL/4EAT	1	88-98	AE	FK84710A
K9	Kit, filter	R4AX-EL/4EAT	1	99-07	AE	DK84710D
H57	Filter, screen	R4AX-EL/4EAT	1	88-98	31728-AA-011	84710A
H57	Filter, screen	R4AX-EL/4EAT	1	99-07	31728-AA-050	84710D
n/i	Filter, spin-on	R4AX-EL/4EAT	1	88-07	n/a	84711
BANDS						
B59	Band, intermediate brake 1.500" wide	R4AX-EL/4EAT	1	88-98	31630-AA-020	78700
BUSHINGS						
K13	Kit, bushing	R4AX-EL/4EAT	1	88-07	AE	K84901
G61	Bushing	convertor housing	1	88-07	n/a	84005
B65	Bushing	reverse drum	1	88-07	31513-21X00	78009
C66	Bushing	high clutch hub	2	88-07	31548-21X01	84006
C68	Bushing	internal gear	1	88-07	31405-41X07	78011
E69	Bushing	forward drum	1	88-07	31405-41X05	78006
G72	Bushing	extension housing	1	88-07	n/a	84004
n/i	Bushing	stator shaft (front)	1	88-07	n/a	84000
n/i	Bushing	output shaft (reduction shaft)	1	88-07	n/a	84006
n/i	Bushing	stator shaft (rear)	1	88-07	n/a	84001
n/i	Bushing	pump shaft (front)	1	88-07	n/a	84002
n/i	Bushing	pump shaft (rear)	1	88-07	n/a	84003
WASHERS/BEARINGS/RACES/SHIMS						
K12	Kit, thrust bearing/washer	R4AX-EL/4EAT	1	88-07	AE	K78906
B74	Washer, thrust .035"	R4AX-EL/4EAT	sel	88-07	31528-21X01	68400-R
B74	Washer, thrust .051"	R4AX-EL/4EAT	sel	88-07	31528-21X03	68400A-R
B74	Washer, thrust .067"	R4AX-EL/4EAT	sel	88-07	31528-21X05	68400B-R
PUMP PARTS AND PUMPS						
A	Pump assembly	R4AX-EL/4EAT	1	88-07	AE	84200-R
HARD PARTS						
B110	Drum, reverse clutch	R4AX-EL/4EAT	1	88-07	31511-AA-001	78928-R
B114	Drum, high clutch	R4AX-EL/4EAT	1	88-07	31541-AA-001	78925-R
C119	Shell, drive w/sun gear 33T	R4AX-EL/4EAT	1	88-07	31459-AA-051	78729-R
C120	Planetary, front	R4AX-EL/4EAT	1	88-07	31436-AA-030	78747-R
C122	Sun gear, rear 37T	R4AX-EL/4EAT	1	88-07	AE	78728-R
C122	Sun gear, rear 42T	R4AX-EL/4EAT	1	88-07	AE	78728A-R
C123	Planetary, rear	use w/37T sun gear	1	88-07	AE	78730B-R
C123	Planetary, rear	use w/42T sun gear	1	88-07	AE	78730-R
C124	Gear, rear ring	R4AX-EL/4EAT	1	88-07	AE	78749-R

SPEEDOMETER PROBLEMS

Speedometer slow (on dash) head

- (1) Increase teeth on drive gear
- (2) Decrease teeth on driven gear

Speedometer fast (on dash) head

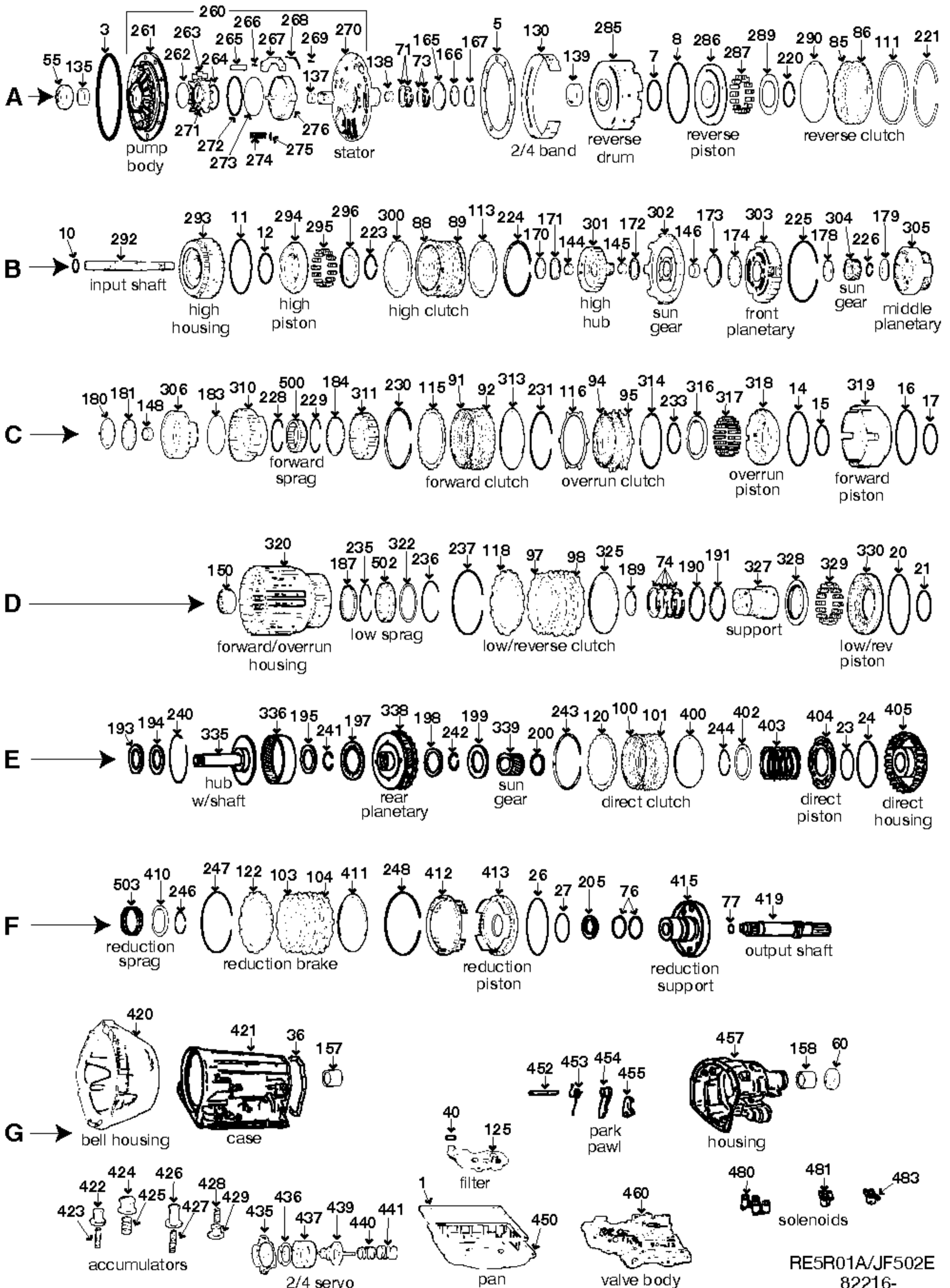
- (1) Decrease teeth on drive gear
- (2) Increase teeth on driven gear

Usually, there is a 3 to 5 mph change in each tooth.

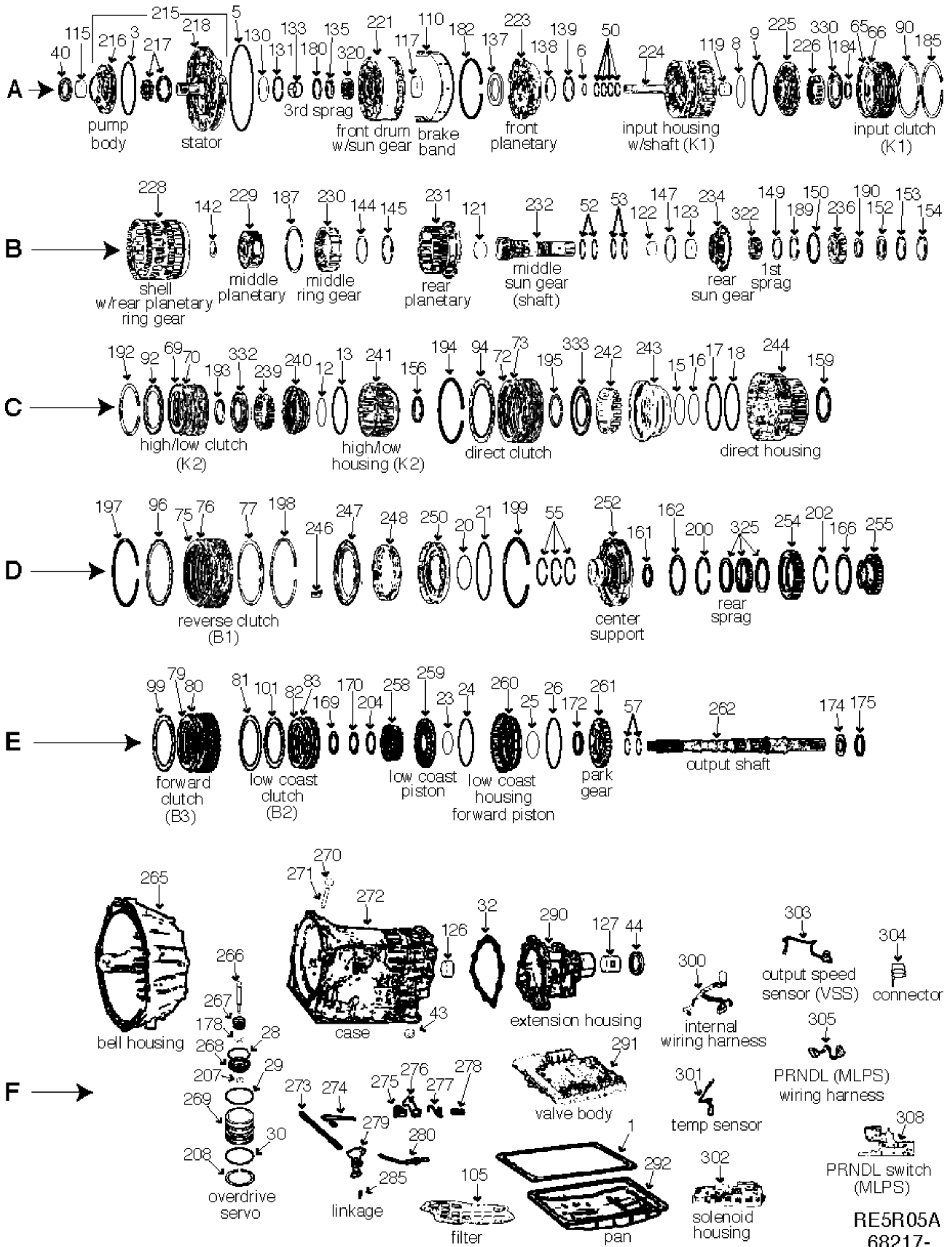
The drive gear is on the output shaft on most RWD vehicles.
The driven gear is usually in the extension housing.

Most GM vehicles have both replaceable drive and driven gears. Most Ford and Chrysler vehicles have their drive gears cut into output shafts (which do come in different tooth counts). Only driven gears can be replaced without removal of output shafts. This applies to most Ford and Chrysler RWD automatics and standards.

Most Conventional 4x4's are driven at the transfer case.



RE5R01A/JF502E
82216-



RE5R05A
68217-

ILL	DESCRIPTION	QTY	YEAR	REFERENCE #	PART #
TECHNICAL MANUALS					
K53	Tech manual RE5R05A dis/assembly	1	02-11	83-RE5R05A	010-431
K53	Technicians diagnostic guide RE5R05A	1	02-11	RE5-Tech-Guide	010-432
REBUILDER KITS					
K5	Master kit w/steels w/pistons	1	02-11	AE	68217-11004
K5	Master kit w/steels w/o pistons	1	02-11	AE	68217-11104
K5	Master kit w/steels w/pistons	1	02-11	AE	82217-11004
K5	Master kit w/steels w/o pistons	1	02-11	AE	82217-11104
K5	Master kit w/steels w/pistons	1	04-11	AE	72217-11004
K5	Master kit w/steels w/o pistons	1	04-11	AE	72217-11104
K6	Master kit w/o steels w/pistons	1	02-11	AE	68217-12004
K6	Master kit w/o steels w/o pistons	1	02-11	AE	68217-12104
K6	Master kit w/o steels w/pistons	1	02-11	AE	82217-12004
K6	Master kit w/o steels w/o pistons	1	02-11	AE	82217-12104
K6	Master kit w/o steels w/pistons	1	04-11	AE	72217-12004
K6	Master kit w/o steels w/o pistons	1	04-11	AE	72217-12104
K7	O/H gasket set w/seals-rings w/pistons	1	02-11	AE	68217-13004
K7	O/H gasket set w/seals-rings w/o pistons	1	02-11	FDB-2461	68217-13104
K43	Kit, bonded piston	1	02-11	AE	68217-99504
VALVE BODY KITS					
K15	Kit, valve body repair	1	02-11	n/a	68217-17009
K15	Kit, valve body repair	1	02-11	n/a	68217-17005
K15	Reprogramming Kit™	1	02-11	RE5R05A-HD2	RE5R05A-HD2
GASKETS AND RUBBER COMPONENTS					
F1	Gasket, oil pan	1	02-11	B11547	68217-19004
F1	Gasket, oil pan	1	05-09	B11549	72217-19004
A5	O'ring	1	02-11	31526-90X00	1026
A6	O'ring (2 green stripes)	1	02-11	31526-90X05	23020A
F29	O'ring	1	02-11	FDB-B15131	68217-23404
F29	O'ring	2	02-11	31526-90X06	23053
F30	O'ring	1	02-11	31526-90X07	23056
F32	Gasket, extension housing	1	02-11	31338-90X00	68217-29404
n/i	O'ring	1	02-11	31084-20300	68217-23804
n/i	Gasket, valve body	1	02-11	FDB-B36252	68217-28204
n/i	Gasket, valve body	1	02-11	FDB-B36253	68217-28304
n/i	O'ring	1	02-11	31397-90X01	68217-29104
METAL CLAD SEALS					
A40	Seal, metal clad	1	02-11	31344-21Z00	68200
F43	Seal, metal clad 12x22x7mm	1	02-11	31375-31X01	46202
F44	Seal, metal clad 62x44x10mm	1	02-11	31366-X6901	78205
F44	Seal, metal clad	1	05-11	31375-90X0A	68217-30604
SEALING RINGS					
K10	Kit, sealing ring	1	02-11	FDB-3487	68217-31504
A50	Sealing ring (plastic)	4	02-11	31525-90X00	68217-33304
B52	Sealing ring (plastic)	2	02-11	31525-90X09	68217-33504
B53	Sealing ring (plastic)	2	02-11	31525-90X03	68217-33604
D55	Sealing ring (plastic)	3	02-11	31525-90X07	68217-33804
E57	Sealing ring (teflon)	2	02-11	31525-90X08	68217-34004
CLUTCH PLATES					
A65	Steel .079" 5.624" id 24T	6/7	02-11	31536-90X00	68217-37604
A66	Friction .069" 6.349" od 60T	6/7	02-11	31532-90X00	68217-35204
C69	Friction .063" 4.900" 30T	4/5	02-11	31532-90X02	68217-35404
C70	Steel .094" 3.700" id 24T	4/5	02-11	31536-90X02	68217-37804
C70	Steel .094" (larger od)	sel	02-11	31536-95X00	68217-37904

RE5R05A•A5SR2•JR507E

RE5R05A•A5SR2•JR507E

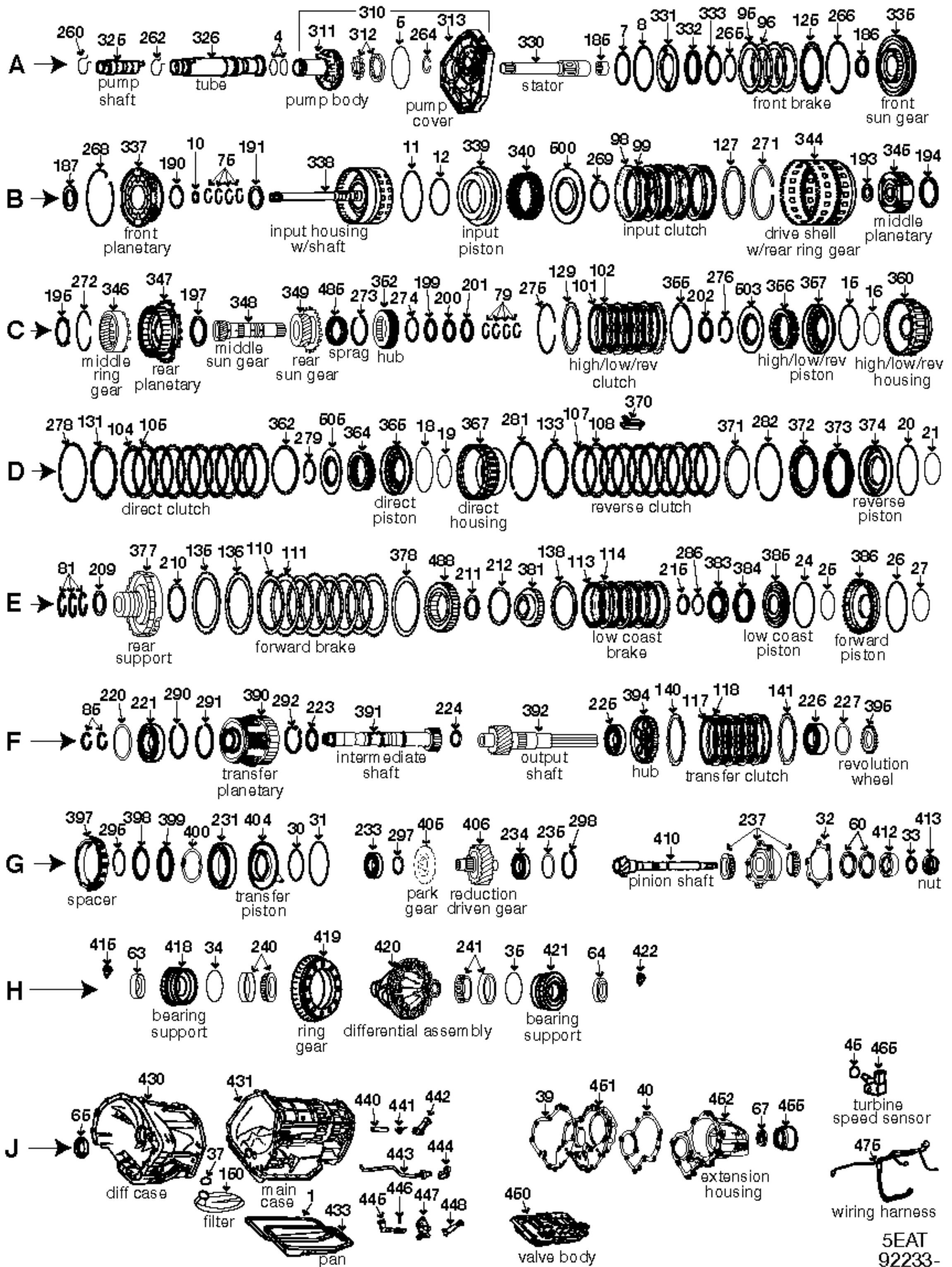
ILL	DESCRIPTION	QTY	YEAR	REFERENCE #	PART #
CLUTCH PLATES (CONTINUED)					
C70	Steel .094" 3.741" id 24T high/low clutch (K2)	5	02-11	174703A-240	68217-38004
C72	Friction .071" 6.200" od 24T direct clutch	5	02-11	31532-90X01	68217-35604
C73	Steel .094" 5.500" id 24T direct clutch	5/6	02-11	31536-95X01	68217-38204
C73	Steel .102" 5.500" id 24T direct clutch	sel	02-11	31636-90X01	68217-38404
D75	Friction .070" 6.600" od 50T Pickups/SUV's (reverse brake clutch)(B1)	6	02-11	31662-90X00	68217-35804
D75	Friction .064" 6.596" od 40T reverse brake clutch (B1)	7	02-11	174704A-162	68217-35904
D75	Friction .071" 6.596" od 40T Kia Sorento (reverse brake clutch)(B1)	5	02-11	45626-4C000	72217-35204
D76	Steel .079" 5.900" id 18T Pickups/SUV's (reverse brake clutch)(B1)	6	02-11	31666-90X00	68217-38604
D76	Steel .063" 5.930" id 18T reverse brake clutch (B1)	7	02-11	31356-AA-310	68217-38704
D76	Steel .079" 5.930" id 18T Kia Sorento (reverse brake clutch)(B1)	5	02-11	45626-4C000	72217-37604
E79	Friction .061" 5.700" od 39T forward clutch (B3)	5/6	02-11	31662-90X01	68217-36204
E80	Steel .079" 4.900" id 18T forward clutch (B3)	5	02-11	31666-90X01	68217-39004
E80	Steel .063" 4.900" id 16T forward clutch (B3)	sel	02-11	31666-95X00	68217-39204
E80	Steel .062" 4.893" id 19T Pickups/SUV's (forward clutch)(B3)	sel	02-11	174709A-157	68217-39304
E82	Friction .063" 5.200" od 30T low/coast (B2)	3/4	02-11	31662-90X02	68217-37004
E83	Steel .079" 4.400" id 18T low/coast (B2)	4	02-11	316666-90X02	68217-40304
E83	Steel .071" 4.400" id 15T low/coast (B2)	sel	02-11	31565-95X01	68217-40104
E83	Steel .063" 4.400" id 16T low/coast (B2)	sel	02-11	31666-95X02	68217-40204
E83	Steel .062" 4.441" id 16T Pickups/SUV's (low/coast)(B2)	1	02-11	174707A-157	68217-40404
E83	Steel .070" 4.441" id 15T Pickups/SUV's (low/coast)(B2)	3	02-11	174707B-178	68217-40504
PRESSURE PLATES					
A90	Pressure plate input clutch	1	02-11	AE	68217-41203
C92	Pressure plate high/low clutch	1	02-11	AE	68217-41603
C94	Pressure plate direct clutch	1	02-11	AE	68217-42003
D96	Pressure plate reverse clutch	1	02-11	AE	68217-42503
E99	Pressure plate forward clutch	1	02-11	AE	68217-42703
E101	Pressure plate low coast clutch	1	02-11	AE	68217-43003
FILTERS					
F105	filter RE5R05A	1	02-11	31728-97X00	68217-45104
BANDS					
A110	Band, flex brake	1	02-11	31630-90X00	68217-47604
BUSHINGS					
A115	Bushing 2.130" od pump body	1	02-11	n/a	68001
A117	Bushing front drum (rear)	1	02-11	n/a	68217-50904
A119	Bushing input housing (rear)	1	02-11	n/a	68217-51004
B121	Bushing middle sun gear shaft (front)	1	02-11	n/a	68217-51304
B122	Bushing middle sun gear shaft (rear)	1	02-11	n/a	68217-51404
B123	Bushing rear sun gear	1	02-11	n/a	68217-51504
F126	Bushing case	1	02-11	n/a	68217-52004
F127	Bushing extension housing	1	02-11	n/a	68217-52304
WASHERS/BEARINGS/RACES/SHIMS					
A130	Race, thrust pump stator to front drum	1	02-11	n/a	68217-56204
A131	Bearing, thrust pump stator to front drum	1	02-11	n/a	68217-56304
A133	Bearing, caged pump stator (rear)	1	02-11	n/a	68217-56504
A135	Washer, thrust (brass) sprag end cap	1	02-11	n/a	68217-56704
A137	Bearing, thrust front planetary to drum	1	02-11	n/a	68217-56904
A138	Race, thrust planetary to input housing	1	02-11	n/a	68217-57004
A139	Bearing, thrust planetary to input housing	1	02-11	n/a	68217-57104
B142	Bearing, thrust middle planetary to input housing	1	02-11	n/a	68217-57304
B144	Race, thrust rear planetary to middle planetary	1	02-11	n/a	68217-57504
B145	Bearing, thrust rear planetary to middle planetary	1	02-11	n/a	68217-57604
B147	Bearing, thrust rear sun gear to planetary	1	02-11	n/a	68217-57704
B149	Washer, thrust (brass) sprag end cap	1	02-11	n/a	68217-57804

ILL	DESCRIPTION	QTY	YEAR	REFERENCE #	PART #
WASHERS/BEARINGS/RACES/SHIMS (CONTINUED)					
B150	Bearing, thrust	1	02-11	n/a	68217-58004
B152	Race, thrust	1	02-11	n/a	68217-58204
B153	Bearing, thrust	1	02-11	n/a	68217-58304
B154	Race, thrust	1	02-11	n/a	68217-58404
C156	Bearing, thrust	1	02-11	n/a	68217-58704
C159	Bearing, thrust	1	02-11	n/a	68217-59004
D161	Bearing, thrust	1	02-11	n/a	68217-59304
D162	Washer, thrust	1	02-11	n/a	68217-59404
D166	Washer, thrust	1	02-11	n/a	68217-59604
E169	Bearing, thrust	1	02-11	n/a	68217-59304
E170	Race, thrust	1	02-11	n/a	68217-59904
E172	Bearing, thrust	1	02-11	n/a	68217-60104
E174	Race, thrust	1	02-11	n/a	68217-60304
E175	Bearing, thrust	1	02-11	n/a	68217-59304
SNAP RINGS					
A180	Snap ring	1	02-11	AE	68217-62103
A182	Snap ring	1	02-11	AE	68217-62203
A184	Snap ring	1	02-11	AE	68217-62503
A185	Snap ring	1	02-11	AE	68217-62603
B187	Snap ring	1	02-11	AE	68217-62803
B189	Snap ring	1	02-11	AE	68217-63003
B190	Snap ring	1	02-11	AE	68217-63103
C192	Snap ring	1	02-11	AE	68217-63503
C193	Snap ring	1	02-11	AE	68217-63603
C194	Snap ring	1	02-11	AE	68217-63703
C195	Snap ring	1	02-11	AE	68217-64003
D197	Snap ring	1	02-11	AE	68217-64303
D198	Snap ring	1	02-11	AE	68217-64503
D199	Snap ring	1	02-11	AE	68217-64703
D200	Snap ring	1	02-11	AE	68217-65003
D202	Snap ring	1	02-11	AE	68217-65003
E204	Snap ring	1	02-11	AE	68217-65103
F208	Snap ring	1	02-11	AE	68217-66503
PUMP PARTS AND PUMPS					
A215	Pump assembly	1	02-11	AE	68217-67003
A216	Body, pump w/gears	1	02-11	AE	68217-67503
A217	Gears, pump (inner/outer)	1	02-11	n/a	68217-68104
A218	Support, pump w/shaft	1	02-11	AE	68217-68503
HARD PARTS					
A221	Drum, front w/sun gear	1	02-11	AE	68217-72203
A223	Planetary, front	1	02-11	AE	68217-72503
A224	Housing, input clutch w/shaft	1	02-11	AE	68217-72803
A225	Piston, input clutch	1	02-11	AE	68217-73103
A226	Retainer, w/springs	1	02-11	AE	68217-73203
B228	Shell, w/ring gear	1	02-11	AE	68217-73503
B229	Planetary, middle	1	02-11	AE	68217-73803
B230	Gear, middle ring	1	02-11	AE	68217-74003
B231	Planetary, rear	1	02-11	AE	68217-74203
B232	Gear, middle sun	1	02-11	AE	68217-74503
B234	Gear, rear sun	1	02-11	AE	68217-74703
B236	Hub, high/low clutch	1	02-11	AE	68217-74903
C239	Retainer, w/springs	1	02-11	AE	68217-75103
C240	Piston, high/low clutch	1	02-11	AE	68217-75203

RE5R05A•A5SR2•JR507E

RE5R05A•A5SR2•JR507E

ILL	DESCRIPTION	QTY	YEAR	REFERENCE #	PART #
HARD PARTS (CONTINUED)					
C241	Housing, high/low clutch	1	02-11	AE	68217-75303
C242	Retainer, w/springs	1	02-11	AE	68217-75503
C243	Piston, direct clutch	1	02-11	AE	68217-75603
C244	Housing, direct clutch	1	02-11	AE	68217-75703
D246	Spring, anti rattle	1	02-11	AE	68217-76103
D247	Retainer, reverse clutch	1	02-11	AE	68217-76203
D248	Spring, reverse clutch return	1	02-11	AE	68217-76304
D250	Piston, reverse clutch	1	02-11	AE	68217-76403
D252	Support, center	1	02-11	AE	68217-76503
D254	Race, rear outer sprag	1	02-11	AE	68217-76803
D255	Hub, forward clutch	1	02-11	AE	68217-76903
E258	Retainer, w/springs	1	02-11	AE	68217-77203
E259	Piston, low coast clutch	1	02-11	AE	68217-77303
E260	Housing, low coast clutch	1	02-11	AE	68217-77503
E261	Gear, park	1	02-11	AE	68217-77803
E262	Shaft, output (2WD)	1	02-11	AE	68217-78003
E262	Shaft, output (4WD)	1	02-11	AE	68217-78103
F265	Housing, front (bell housing)	1	02-11	AE	68217-78503
F268	Piston, servo (w/pin/spring)	1	02-11	AE	68217-78803
F272	Housing, main case	1	02-11	AE	68217-79003
F273	Shaft, shift	1	02-11	AE	68217-80103
F274	Spring, roller detent	1	02-11	AE	68217-80203
F235	Guide, park rod	1	02-11	AE	68217-80304
F276	Pawl, park	1	02-11	AE	68217-80403
F277	Spring, park pawl	1	02-11	AE	68217-80503
F278	Pin, park pawl	1	02-11	AE	68217-80603
F279	Cone, rooster	1	02-11	AE	68217-80703
F280	Rod, park	1	02-11	AE	68217-80803
F285	Pin, roll (shift shaft)	1	02-11	AE	68217-81003
F290	Housing, extension (2WD)	1	02-11	AE	68217-81503
F290	Housing, extension (4WD)	1	02-11	AE	68217-81603
F291	Valve body w/solenoids	1	02-11	AE	68217-82003
F292	Pan, bottom	1	02-11	AE	68217-82503
ELECTRICAL COMPONENTS					
F300	Harness, internal wiring	1	02-11	n/a	68217-85504
F301	Sensor, temperature	1	02-11	n/a	68217-86004
F302	Housing, solenoid	1	02-11	n/a	68217-86304
F303	Sensor, output speed	1	02-11	n/a	68217-86504
F304	Connector, case	1	02-11	n/a	68217-86804
F305	Harness, internal wiring	1	02-11	n/a	68217-87004
F308	Switch, MLPS (neutral start)	1	02-11	n/a	68217-87504
n/i	Solenoid	1	02-11	n/a	68217-87904
n/i	Solenoid	1	02-11	n/a	68217-87904
n/i	Solenoid	1	02-11	n/a	68217-87904
n/i	Solenoid	1	02-11	n/a	68217-88104
n/i	Solenoid	1	02-11	n/a	68217-88104
n/i	Solenoid	1	02-11	n/a	68217-88104
n/i	Solenoid	1	02-11	n/a	68217-88404



5EAT
92233-

ILL	DESCRIPTION	QTY	YEAR	REFERENCE #	PART #	
REBUILDER KITS						
K5	Master kit w/steels w/pistons	5EAT/B9	1	05-11	AE	92233-11004
K5	Master kit w/steels w/o pistons	5EAT/B9	1	05-11	AE	92233-11104
K6	Master kit w/o steels w/pistons	5EAT/B9	1	05-11	AE	92233-12004
K6	Master kit w/o steels w/o pistons	5EAT/B9	1	05-11	AE	92233-12104
K7	O/H gasket set w/seals-rings	5EAT/B9	1	05-11	FDB-2487	92233-13104
K7	Kit, bonded piston	5EAT/B9	1	05-11	AE	68217-99504
VALVE BODY KITS						
K15	Reprogramming Kit™	5EAT	1	05-11	RE5R05A-HD2	RE5R05A-HD2
K15	Kit, valve body repair	5EAT	1	05-11	n/a	68217-17009
K15	Kit, valve body repair	5EAT	1	05-11	n/a	68217-17005
GASKETS AND RUBBER COMPONENTS						
J1	Gasket, oil pan	5EAT/B9	1	05-11	B11518	92233-19104
A4	O'ring	pump tube	2	05-11	8069-57010	92233-21904
A5	O'ring	pump	1	05-11	8069-00160	92233-21704
B10	O'ring	input shaft	1	05-10	8069-23030	92233-21504
n/i	Gasket, front case	5EAT	1	05-11	31339-AA160	92233-28204
n/i	Gasket, extension housing	5EAT	1	05-11	31337-AA200	92233-28504
n/i	Gasket, extension housing	5EAT	1	05-11	31496-AA000	92233-28604
n/i	Gasket, extension housing	5EAT	1	05-11	31496-AA010	92233-28704
n/i	Gasket, upper separator plate	5EAT (upper/lower)	2	05-11	B36311	92233-29104
n/i	Gasket, lower separator plate	5EAT (upper)	1	05-11	B36313	92233-29204
n/i	Gasket, lower separator plate	5EAT (lower)	1	05-11	B36314	92233-29304
n/i	O'ring	solenoid (large)	8	05-11	B15980	92233-22004
n/i	O'ring	solenoid (small)	8	05-11	B17980	92233-22204
METAL CLAD SEALS						
G60	Seal, metal clad	drive pinion shaft	2	05-11	8067-52020	84210
H63	Seal, metal clad	right axle (helix)	1	05-11	8067-35240	92233-30604
H64	Seal, metal clad	right axle (helix)	1	05-11	806735230	92233-30704
J65	Seal, metal clad	front	1	05-11	8067-50060	84208
J67	Seal, metal clad 50x35x11mm	extension housing	1	05-11	8067-35210	45201
n/i	Seal, metal clad	manual shift shaft	1	05-11	8067-35210	84209
SEALING RINGS						
K10	Kit, sealing ring	5EAT/B9	1	05-11	FDB-3496	92233-31504
C75	Sealing ring (plastic)	input housing	4	05-11	31377-AA-250	92233-33104
C79	Sealing ring (plastic)	sun gear	4	05-11	31377-AA-240	92233-33404
E81	Sealing ring (plastic)	rear support	3	05-11	31377-AA-230	92233-33204
F85	Sealing ring (teflon)	intermediate shaft	2	05-11	31377-AA-260	92233-33304
CLUTCH PLATES						
A95	Steel .110" 4.242" id 18T	front brake clutch	2	05-11	135711-280	92233-37804
A96	Friction .062" 5.215" od 30T	front brake clutch	2	05-11	135710-160	92233-35204
B98	Steel .079" 5.624" id 24T	input clutch	5	05-11	174701-200	68217-37604
B99	Friction .069" 6.349" od 60T	input clutch	5	05-11	174700-170	68217-35204
C101	Friction .063" 4.900" 30T	high-low reverse clutch	4	05-11	174702-160	68217-35404
C102	Steel .094" 3.700" id 24T	high-low reverse clutch	4	05-11	174703-240	68217-37804
D104	Friction .071" 6.200" od 24T	direct clutch	5	05-11	174710-180	68217-35604
D105	Steel .094" 5.500" id 24T	direct clutch	5	05-11	174711-240	68217-38204
D107	Friction .070" 6.600" od 50T	reverse brake clutch	5	05-11	174704-170	68217-35804
D108	Steel .079" 5.900" id 18T	reverse brake clutch	5	05-11	174705-200	68217-38604
E110	Friction .061" 5.700" od 39T	forward clutch	4	05-11	174708-155	68217-36204
E111	Steel .079" 4.900" id 18T	forward clutch	4	05-11	174709-200	68217-39004
E113	Friction .063" 5.200" od 30T	low coast brake clutch	3	05-11	174706-160	68217-37004
E114	Steel .079" 4.400" id 18T	low coast brake clutch	3	05-11	174707-200	68217-40304
F117	Friction .071" 4.646" od 50T	transfer case clutch	3	05-11	31588-AA-070	84106

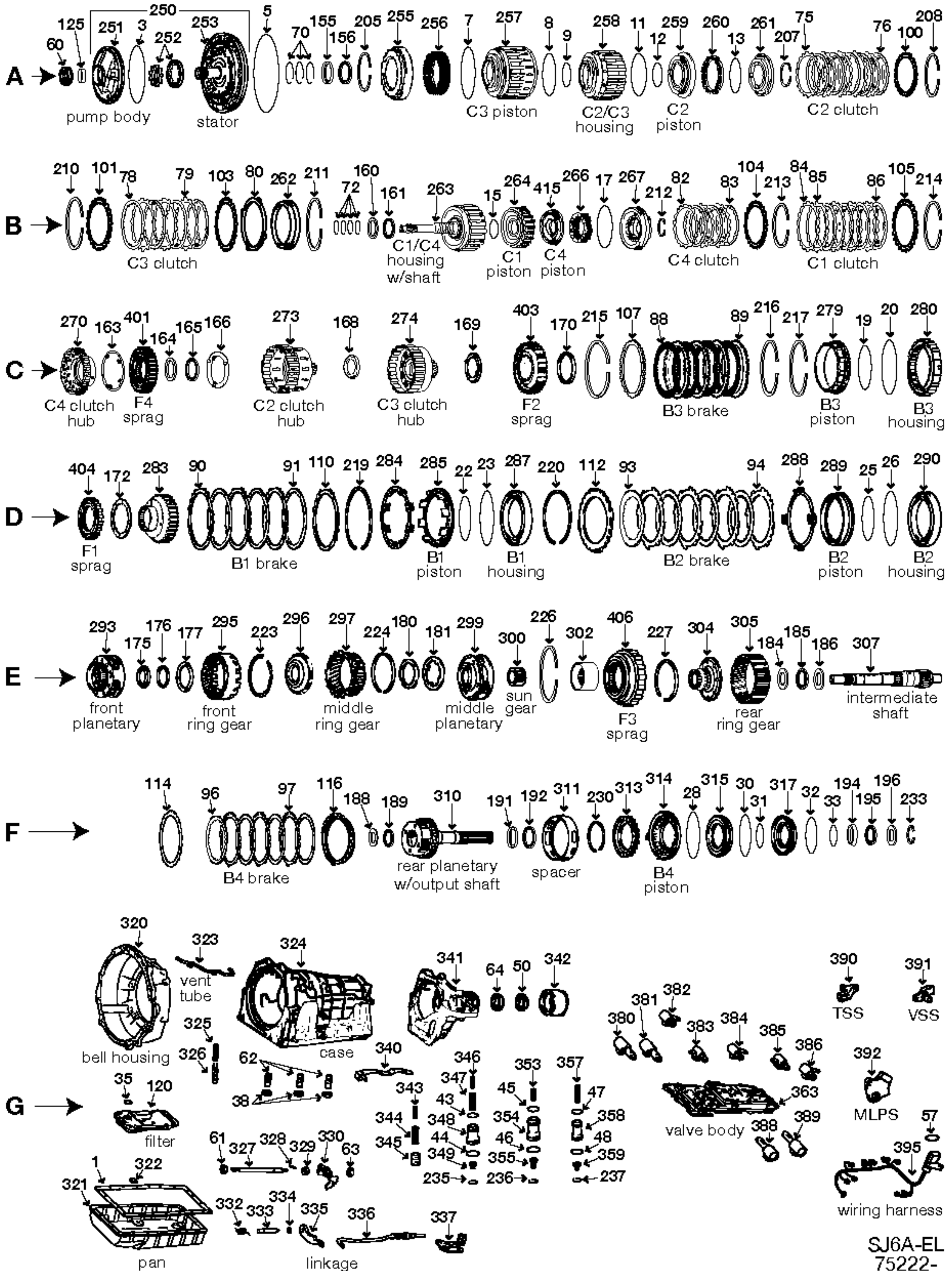
DECIMAL & MILLIMETER EQUIVALENTS

FRACTION	DECIMAL	MILLIMETER	FRACTION	DECIMAL	MILLIMETER
1/64	0.015625	0.397	33/64	.515625	13.097
1/32	.03125	0.794	17/32	.53125	13.494
3/64	.046875	1.191	25/64	.546875	13.891
1/16	.0625	1.588	9/16	.5625	14.288
5/64	.078125	1.984	37/64	.578125	14.684
3/32	.09375	2.381	19/32	.59375	15.081
7/64	.109375	2.778	39/64	.609375	15.478
1/8	.1250	3.175	5/8	.6250	15.875
9/64	.140625	3.572	41/64	.640625	16.272
5/32	.15625	3.969	21/32	.65625	16.669
11/64	.171875	4.366	43/64	.671875	17.066
3/16	.1875	4.763	11/16	.6875	17.463
13/64	.203125	5.159	45/64	.703125	17.859
7/32	.21875	5.556	23/32	.71875	18.256
15/64	.234375	5.953	47/64	.734375	18.653
1/4	.2500	6.350	3/4	.7500	19.050
17/64	.265625	6.747	49/64	.765625	19.447
9/32	.28125	7.144	25/32	.78125	19.844
19/64	.296875	7.541	51/64	.796875	20.241
5/16	.3125	7.938	13/16	.8125	20.638
21/64	.328125	8.334	53/64	.828125	21.034
11/32	.34375	8.731	27/32	.84375	21.431
23/64	.359375	9.128	55/64	.859375	21.828
3/8	.3750	9.525	7/8	.8750	22.225
25/64	.390625	9.922	57/64	.890625	22.622
13/32	.40625	10.319	29/32	.90625	23.019
27/64	.421875	10.716	59/64	.921875	23.416
7/16	.4375	11.113	15/16	.9375	23.813
29/64	.453125	11.509	61/64	.953125	24.209
15/32	.46875	11.906	31/32	.96875	24.606
31/64	.484375	12.303	63/64	.984375	25.003
1/2	.5000	12.700	1	1.000	25.400

MILLIMETER TO DECIMAL EQUIVALENCES

MM	INCHES	MM	INCHES	MM	INCHES	MM	INCHES	MM	INCHES
.1	.0039	11	.4331	30	1.1811	49	1.9291	68	2.6772
.2	.0079	12	.4724	31	1.2205	50	1.9685	69	2.7165
.3	.0118	13	.5118	32	1.2598	51	2.0079	70	2.7559
.4	.0157	14	.5512	33	1.2992	52	2.0472	71	2.7953
.5	.0197	15	.5906	34	1.3386	53	2.0866	72	2.8346
.6	.0236	16	.6299	35	1.3780	54	2.1260	73	2.8740
.7	.0276	17	.6693	36	1.4173	55	2.1654	74	2.9134
.8	.0315	18	.7087	37	1.4567	56	2.2047	75	2.9528
.9	.0354	19	.7480	38	1.4961	57	2.2441	76	2.9921
1	.0394	20	.7874	39	1.5354	58	2.2835	77	3.0315
2	.0787	21	.8268	40	1.5748	59	2.3228	78	3.0709
3	.1181	22	.8661	41	1.6142	60	2.3622	79	3.1102
4	.1575	23	.9055	42	1.6535	61	2.4016	80	3.1496
5	.1969	24	.9449	43	1.6929	62	2.4409	81	3.1890
6	.2362	25	.9843	44	1.7323	63	2.4803	82	3.2283
7	.2756	26	1.0236	45	1.7717	64	2.5197	83	3.2677
8	.3150	27	1.0630	46	1.8110	65	2.5591	84	3.3071
9	.3543	28	1.1024	47	1.8504	66	2.5984	85	3.3465
10	.3937	29	1.1417	48	1.8898	67	2.6378	86	3.3858
								87	3.4252
								88	3.4646
								89	3.5039
								90	3.5433
								91	3.5827
								92	3.6220
								93	3.6614
								94	3.7008
								95	3.7402
								96	3.7795
								97	3.8189
								98	3.8583
								99	3.8976
								100	3.9370

COPYRIGHT © 2011 AUTRY ENTERPRISES LTD.



SJ6A-EL
75222-

ILL	DESCRIPTION		QTY	YEAR	REFERENCE #	PART #
TECHNICAL MANUALS						
K53	Tech manual-covers SJ6A-EL dis/assembly	diagnosis & troubleshooting	1	06-09	n/a	010-488
REBUILDER KITS						
K5	Master kit w/steels	SJ6A-EL (w/pistons)	1	06-09	AE	75222-11004
K5	Master kit w/steels	SJ6A-EL (w/o pistons)	1	06-09	AE	75222-11104
K6	Master kit w/o steels	SJ6A-EL (w/pistons)	1	06-09	AE	75222-12004
K6	Master kit w/o steels	SJ6A-EL (w/o pistons)	1	06-09	AE	75222-12104
K7	O/H gasket set w/seals-rings	SJ6A-EL (w/pistons)		06-09	AE	75222-13004
K7	O/H gasket set w/seals-rings	SJ6A-EL (w/o pistons)	1	06-09	AE	75222-13104
VALVE BODY KITS						
K15	Kit, valve body repair	SJ6A-EL	1	06-09	n/a	75222-17009
GASKETS AND RUBBER COMPONENTS						
G1	Gasket, pan	SJ6A-EL	1	06-09	SJ01-19-835	75222-19004
A3	O'ring	pump body	1	06-09	n/a	75222-21004
A5	O'ring	pump stator	1	06-09	n/a	75222-21104
METAL CLAD SEALS						
A60	Seal, metal clad	front	1	06-09	SJ01-19-241	75222-30104
G50	Seal, metal clad	extension housing	1	06-09	SJ01-17-335	75222-30204
G63	Seal, metal clad	shift shaft	1	06-09	n/a	75222-30604
SEALING RINGS						
K10	Kit, sealing ring	SJ6A-EL	1	06-09	n/a	75222-31504
CLUTCH PLATES						
A75	Steel	C2 clutch	5	06-09	n/a	75222-37504
A76	Friction	C2 clutch	5	06-09	n/a	75222-35104
B78	Friction	C3 clutch	4	06-09	n/a	75222-35204
B79	Steel	C3 clutch	4	06-09	n/a	75222-37604
B80	Steel, waved	C3 clutch	1	06-09	n/a	75222-38004
B82	Steel	C4 clutch	3	06-09	n/a	75222-37704
B83	Friction	C4 clutch	3	06-09	n/a	75222-35304
B84	Steel, waved	C1 clutch	1	06-09	n/a	75222-37804
B85	Steel	C1 clutch	4	06-09	n/a	75222-37904
B86	Friction	C1 clutch	4	06-09	n/a	75222-35404
C88	Friction	B3 brake clutch	4	06-09	n/a	75222-35604
C89	Steel	B3 brake clutch	4	06-09	n/a	75222-38104
D90	Steel	B1 brake clutch	3	06-09	n/a	75222-38304
D91	Friction	B1 brake clutch	3	06-09	n/a	75222-35704
D93	Friction	B2 brake clutch	4	06-09	n/a	75222-35804
D94	Steel	B2 brake clutch	4	06-09	n/a	75222-38404
F96	Friction	B4 brake clutch	4	06-09	n/a	75222-36004
F97	Steel	B4 brake clutch	4	06-09	n/a	75222-38604
PRESSURE PLATES						
A100	Pressure plate	C2 clutch	1	06-09	AE	75222-41103
B101	Pressure plate	C3 clutch	1	06-09	AE	75222-41303
B103	Pressure plate	C3 clutch	1	06-09	AE	75222-41503
B104	Pressure plate	C4 clutch	1	06-09	AE	75222-41903
B105	Pressure plate	C1 clutch	1	06-09	AE	75222-42303
C107	Pressure plate	B3 brake clutch	1	06-09	AE	75222-42603
D110	Pressure plate	B1 brake clutch	1	06-09	AE	75222-42803
D112	Pressure plate	B2 brake clutch	1	06-09	AE	75222-43003
F114	Pressure plate	B4 brake clutch	1	06-09	AE	75222-43203
F116	Pressure plate	B4 brake clutch	1	06-09	AE	75222-43403

SJ6A-EL•TB-65SN

SJ6A-EL•TB-65SN

ILL	DESCRIPTION	QTY	YEAR	REFERENCE #	PART #
FILTERS					
K10	Kit, filter	1	06-09	AE	75222-44004
G120	Filter	1	06-09	SJ01-21-500	75222-45004
BUSHINGS					
K13	Kit, bushing	1	06-09	AE	75222-50104
A125	Bushing	1	06-09	n/a	75222-50604
WASHERS/BEARINGS/RACES/SHIMS					
K13	Kit, thrust washer	1	06-09	AE	75222-54504
K12	Kit, thrust bearing	1	06-09	AE	75222-55104
A155	Race, thrust	1	06-09	n/a	75222-56104
A156	Bearing, thrust	1	06-09	n/a	75222-56304
B160	Race, thrust	1	06-09	n/a	75222-56504
B161	Bearing, thrust	1	06-09	n/a	75222-56704
C163	Washer, thrust	1	06-09	n/a	75222-56904
C164	Race, thrust	1	06-09	n/a	75222-57004
C165	Bearing, thrust	1	06-09	n/a	75222-57304
C166	Washer, thrust	1	06-09	n/a	75222-57604
C168	Bearing, thrust	1	06-09	n/a	75222-57904
C169	Washer, thrust	1	06-09	n/a	75222-58104
C170	Washer, thrust	1	06-09	n/a	75222-58204
D172	Washer, thrust	1	06-09	n/a	75222-58404
E175	Race, thrust	1	06-09	n/a	75222-58604
E176	Bearing, thrust	1	06-09	n/a	75222-58804
E177	Washer, thrust	1	06-09	n/a	75222-59004
E180	Bearing, thrust	1	06-09	n/a	75222-59104
E181	Washer, thrust	1	06-07	n/a	75222-59204
E184	Race, thrust	1	06-09	n/a	75222-59404
E185	Bearing, thrust	1	06-09	n/a	75222-59604
E186	Race, thrust	1	06-09	n/a	75222-59804
F188	Race, thrust	1	06-09	n/a	75222-60104
F189	Bearing, thrust	1	06-09	n/a	75222-60404
F191	Race, thrust	1	06-09	n/a	75222-60604
F192	Bearing, thrust	1	06-09	n/a	75222-60804
F194	Race, thrust	1	06-09	n/a	75222-61004
F195	Bearing, thrust	1	06-09	n/a	75222-61204
F196	Race, thrust	1	06-09	n/a	75222-61304
SNAP RINGS					
A205	Snap ring	1	06-09	AE	75222-62103
A207	Snap ring	1	06-09	AE	75222-62203
A208	Snap ring	1	06-09	AE	75222-62303
B210	Snap ring	1	06-09	AE	75222-62703
B211	Snap ring	1	06-09	AE	75222-63003
B212	Snap ring	1	06-09	AE	75222-63303
B213	Snap ring	1	06-09	AE	75222-63403
B214	Snap ring	1	06-09	AE	75222-63703
C215	Snap ring	1	06-09	AE	75222-63903
C216	Snap ring	1	06-09	AE	75222-64103
C217	Snap ring	1	06-09	AE	75222-64303
D219	Snap ring	1	06-09	AE	75222-64503
D220	Snap ring	1	06-09	AE	75222-64703
E223	Snap ring	1	06-09	AE	75222-64803
E224	Snap ring	1	06-09	AE	75222-65003
E226	Snap ring	1	06-09	AE	75222-65103
E227	Snap ring	1	06-09	AE	75222-65303

ILL	DESCRIPTION	QTY	YEAR	REFERENCE #	PART #
SNAP RINGS (CONTINUED)					
F230	Snap ring B4 clutch retainer	1	06-09	AE	75222-65503
F233	Snap ring thrust bearing to output shaft	1	06-09	AE	75222-65803
PUMP PARTS AND PUMPS					
A250	Pump assembly SJ6A-EL	1	06-09	SJ01-19-220	75222-67003
A251	Body, pump w/gears SJ6A-EL	1	06-09	AE	75222-67503
A252	Gears, pump (inner/outer) SJ6A-EL	1	06-09	n/a	75222-68104
A253	Support, pump SJ6A-EL	1	06-09	AE	75222-68503
HARD PARTS					
A255	Piston, balance C3 clutch	1	06-09	AE	75222-72303
A256	Retainer, w/springs C3 clutch	1	06-09	AE	75222-72503
A257	Piston, C3 clutch SJ6A-EL	1	06-09	AE	75222-72603
A258	Housing, C2/C3 clutch SJ6A-EL	1	06-09	AE	75222-72803
A259	Piston, C2 clutch SJ6A-EL	1	06-09	AE	75222-73003
A260	Retainer, w/springs C2 clutch	1	06-09	AE	75222-73103
A261	Piston, balance C2 clutch	1	06-09	AE	75222-73203
B262	Spacer, C3 clutch SJ6A-EL	1	06-09	AE	75222-73503
B263	Housing, w/shaft C1/C4 clutch	1	06-09	AE	75222-73703
B264	Piston, C1 clutch SJ6A-EL	1	06-09	AE	75222-73903
B266	Retainer, w/springs SJ6A-EL	1	06-09	AE	75222-74203
B267	Piston, balance C4 clutch	1	06-09	AE	75222-74303
C270	Hub, C4 clutch SJ6A-EL	1	06-09	AE	75222-74503
C273	Hub, C2 clutch SJ6A-EL	1	06-09	AE	75222-74603
C274	Hub, C3 clutch SJ6A-EL	1	06-09	AE	75222-74803
C279	Piston, B3 brake clutch SJ6A-EL	1	06-09	AE	75222-75103
C280	Housing, B3 brake clutch SJ6A-EL	1	06-09	AE	75222-75403
D283	Hub, B1 brake clutch SJ6A-EL	1	06-09	AE	75222-75603
D284	Retainer, w/springs B1 brake clutch	1	06-09	AE	75222-75703
D285	Piston, B1 brake clutch SJ6A-EL	1	06-09	AE	75222-75803
D287	Housing, B1 brake clutch SJ6A-EL	1	06-09	AE	75222-76003
D288	Retainer, w/springs B2 brake clutch	1	06-09	AE	75222-76203
D289	Piston, B2 brake clutch SJ6A-EL	1	06-09	AE	75222-76303
D290	Housing, B2 brake clutch SJ6A-EL	1	06-09	AE	75222-76503
E293	Planetary, front SJ6A-EL	1	06-09	AE	75222-76703
E295	Gear, front ring SJ6A-EL	1	06-09	AE	75222-76903
E296	Hub, middle ring gear SJ6A-EL	1	06-09	AE	75222-77203
E297	Gear, middle ring SJ6A-EL	1	06-09	AE	75222-77403
E299	Planetary, middle SJ6A-EL	1	06-09	AE	75222-77703
E300	Gear, middle sun SJ6A-EL	1	06-09	AE	75222-78003
E302	Race, F3 sprag (inner) SJ6A-EL	1	06-09	AE	75222-78203
E304	Hub, rear ring gear SJ6A-EL	1	06-09	AE	75222-78703
E305	Gear, rear ring SJ6A-EL	1	06-09	AE	75222-78903
E307	Shaft, intermediate SJ6A-EL	1	06-09	AE	75222-79203
F310	Planetary, rear output shaft	1	06-09	AE	75222-79403
F311	Spacer, B4 brake clutch SJ6A-EL	1	06-09	AE	75222-79603
F313	Retainer, w/springs B4 brake clutch	1	06-09	AE	75222-79703
F314	Piston, B4 brake clutch SJ6A-EL	1	06-09	AE	75222-79803
F315	Piston, B4 brake middle SJ6A-EL	1	06-09	AE	75222-79903
F317	Piston, B4 brake outside SJ6A-EL	1	06-09	AE	75222-80103
G320	Housing, front SJ6A-EL	1	06-09	AE	75222-80603
G321	Pan, bottom SJ6A-EL	1	06-09	AE	75222-80803
G324	Housing, main case SJ6A-EL	1	06-09	AE	75222-81003
G327	Shaft, shift SJ6A-EL	1	06-09	AE	75222-81303
G332	Spring, park pawl SJ6A-EL	1	06-09	AE	75222-81803



Automatic Transmission Parts Replacement Catalog

Limited Warranty

All products supplied are guaranteed to be free from manufacturing defects for 1 year or 12,000 miles, whichever comes first. Any and all parts claimed to be defective must be returned freight prepaid for inspection. Warranty is limited to the replacement of parts only. We will not honor claims for labor or other damages that may occur.

This warranty does not apply to any product that has been misused, altered in any way, or subjected to excessive operating conditions beyond the manufacturer's control, specifications, or instructions. All returns must have prior company approval and authorization.

Important Notice

While the utmost care has been used in compiling reliable information in this catalog, we cannot assume any responsibility for errors, omissions, the inaccuracy of data or misapplications supplied to us. All parts shown within are intended for replacement purposes only. The use of original equipment manufacturer's part number and terminology is solely for the purpose of clarification and to help simplify selection for the proper replacement part.

Check out this rebuilding tool.

It's convenient, informative and free!

New! Online Catalog



Technical Inserts

Inside TransTec® kits you'll find technical literature with illustrations that simplify rebuilding transmissions.



Technical Bulletins

Written by transmission professionals for transmission professionals to clear up confusion and simplify rebuilding complex transmissions.

Online Transmission Catalog Now Available!

Check out the online version of the TransTec® transmission catalog. You'll find the latest kits and components with daily updates.



Includes Global Applications



Transmission Guide

This convenient reference, now available on-line, makes it easy to determine which automatic transmission is in a specific domestic or import vehicle.



New Product Announcements

advise of the latest developments in rebuilding.

www.TransTec.com

Visit www.TransTec.com and you'll find feature-rich resources like our new Online Transmission Catalog with the latest kits and components, technical information organized by transmission, a Transmission-by-Vehicle Guide, New Product Announcements, Technical Bulletins and more. The days of searching through piles of papers and manuals are a thing of the past.

Simply click on the type of reference material you want and view them on screen or download them for printing.

So take a close look at www.TransTec.com and see what we have to offer. You'll find this convenient, informative tool is indispensable.

TRANstec®

We make it Easy.



T: 419.499.2502 • F: 419.499.2804 • www.TransTec.com • Milan, OH 44846



A Division of Freudenberg-NOK